

MEDIA CONVERTER TECHNICAL SPECIFICATIONS

Standards	IEEE 802.3	
Case dimensions	3.9" x 3.0" x 1.0"	(99mm x 76mm x 25mm)
Environment	Temperature:	0-40°C (32° to 104° F)
	Humidity	10-90%, non condensing
	Altitude	0-10,000 feet
Warranty	Five years	

Power Supply Requirements Replace power supply with only the equivalent input rating (see below) and output rating (regulated 9VDC at 0.5 A).

<u>TN PN</u>	<u>Requirement</u>	<u>Location</u>
3517	240 volts, 50 hertz	United Kingdom
3516	230 volts, 50 hertz	Europe
3518	120 volts, 60 hertz	USA/Canada/Mexico
3514	100 volts, 50-60 hertz	Japan
3515	240 volts, 50 hertz	Australia



CAUTION: RJ connectors are NOT INTENDED FOR CONNECTION TO THE PUBLIC TELEPHONE NETWORK. Failure to observe this caution could result in damage to the public telephone network.

Der Anschluss dieses Gerätes an ein öffentliches Telekommunikationsnetz in den EG-Mitgliedstaaten verstößt gegen die jeweiligen einzelstaatlichen Gesetze zur Anwendung der Richtlinie 91/263/EWG zur Angleichung der Rechtsvorschriften der Mitgliedstaaten über Telekommunikationsendeinrichtungen einschliesslich der gegenseitigen Anerkennung ihrer Konformität.

Compliance Information

UL Listed
C-UL Listed (Canada)
CISPR/EN55022 Class A

FCC Regulations

This equipment has been tested and found to comply with the limits for a class A digital device, pursuant to part 15 of the FCC rules. These limits are designed to provide reasonable protection against harmful interference when the equipment is operated in a commercial environment. This equipment generates, uses, and can radiate radio frequency energy and, if not installed and used in accordance with the instruction manual, may cause harmful interference to radio communications. Operation of this equipment in a residential area is likely to cause harmful interference, in which case the user will be required to correct the interference at the user's own expense.

Canadian Regulations

This digital apparatus does not exceed the Class A limits for radio noise for digital apparatus set out on the radio interference regulations of the Canadian Department of Communications.

European Regulations

Warning

This is a Class A product. In a domestic environment this product may cause radio interference in which case the user may be required to take adequate measures.

Copyright Restrictions

© 1996, 1997 TRANSITION Networks.
All rights reserved. No part of this work may be reproduced or used in any form or by any means – graphic, electronic, or mechanical – without written permission from TRANSITION Networks.

Trademark Notice

All registered trademarks and trademarks are the property of their respective owners.



Minneapolis, MN 55344 USA

100BASE-TX/100BASE-FX Media Converters

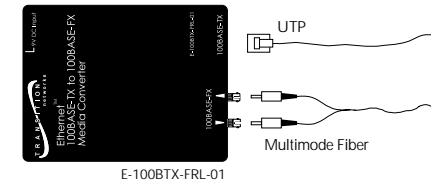
E-100BTX-FRL-01, E-100BTX-FRL-01(SC), E-100BTX-FRL-01(SM)

USER'S GUIDE

The TRANSITION Networks Ethernet™ 100BASE-TX to 100BASE-FX media converters connect 100BASE-TX unshielded twisted pair cable to 100BASE-FX multimode or singlemode fiber-optic cable. Media converter models are selected according to the fiber mode and fiber connector required at the site. *Multimode* fiber-optic cable can use either an ST connector (E-100BTX-FRL-01) or an SC connector (E-100BTX-FRL-01(SC)). *Singlemode* fiber (E-100BTX-FRL-01(SM)) uses only an SC connector. All media converters function in half-duplex mode or, when connected to devices capable of full-duplex connectivity, in full-duplex mode.

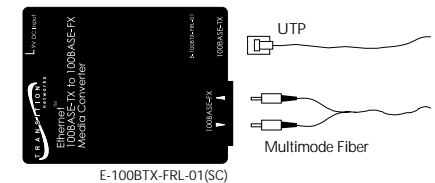
E-100BTX-FRL-01

Provides an RJ-45 unshielded twisted pair 100BASE-TX connector and a set of RX (receive) and TX (transmit) ST 100BASE-FX connectors to **multimode** fiber-optic cable.



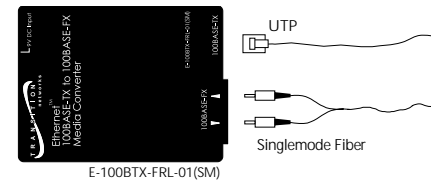
E-100BTX-FRL-01(SC)

Provides an RJ-45 unshielded twisted pair 100BASE-TX connector and an RX (receive) and TX (transmit) SC 100BASE-FX connector to **multimode** fiber-optic cable.



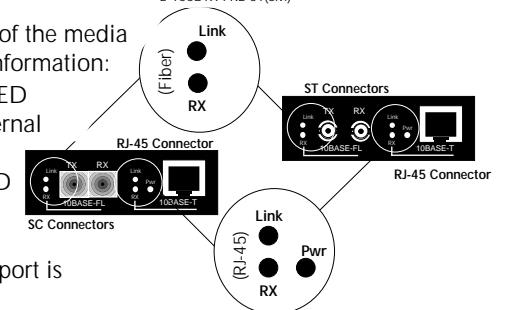
E-100BTX-FRL-01(SM)

Provides an RJ-45 unshielded twisted pair 100BASE-TX connector and an RX (receive) and TX (transmit) SC 100BASE-FX connector to **singlemode** fiber-optic cable.



Status LEDs on the connector side of the media converters provide the following information:

- Pwr** (Power) Illuminated green LED indicates connection to external AC power.
- RX** (Receive) Flashing green LED indicates port is receiving data.
- Link** Steady green LED indicates port is receiving link signal.



Free Manuals Download Website

<http://myh66.com>

<http://usermanuals.us>

<http://www.somanuals.com>

<http://www.4manuals.cc>

<http://www.manual-lib.com>

<http://www.404manual.com>

<http://www.luxmanual.com>

<http://aubethermostatmanual.com>

Golf course search by state

<http://golfingnear.com>

Email search by domain

<http://emailbydomain.com>

Auto manuals search

<http://auto.somanuals.com>

TV manuals search

<http://tv.somanuals.com>