

User's Guide

CPSMM-120

Single-Slot Master Management Module

Transition Networks **CPSMM-120 Single-Slot master management module** enables network management of a single *PointSystem*™ chassis (CPSMC0200-2x0, CPSMC0800-100, CPSMC13xx-100, CPSMC18xx-xxx and CPSMC19xx-100) and any installed media converter slide-in-modules.

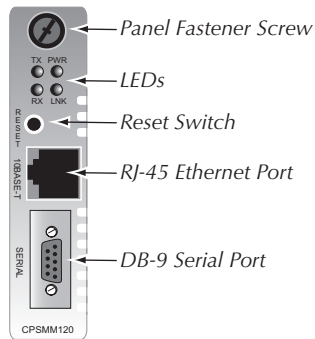
The CPSMM-120 includes Transition Networks **CPSMM100 firmware** embedded in the module, which can be accessed via the DB-9 serial port or the 10Base-T RJ-45 Ethernet port.

Installing the CPSMM-120	3
Network Management	4
Operation	4
Technical Specifications	5
Troubleshooting	6
Contact Us	7
Compliance Information	8

CPSMM-120 Single-Slot Master Management Module

The figure below illustrates the components of the CPSMM-120 management module:

- A **panel fastener screw** that secures the management module to the *PointSystem*™ chassis.
- **PWR** (power), **LINK**, **RX** (receive), and **TX** (transmit) LED indicators.
- A **reset switch**, which resets ONLY the CPSMM-120 management module (not the chassis in which it is installed).
- A 10Base-T **RJ-45 Ethernet port**, through which the management module communicates, using the Ethernet network, with a remote Network management Station (NMS) or with a Telnet connection
- A **DB-9 serial port**, through which the management module communicates with the command-line interface.



Application CD

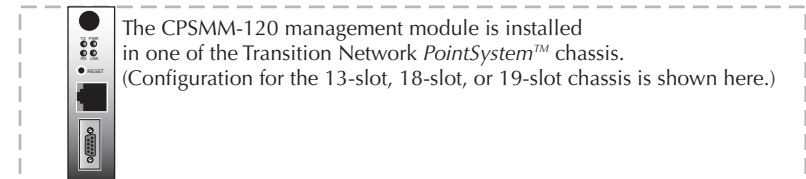
The enclosed application CD contains:

1. **CPSMM100 Firmware**, which includes:
 - a Command-Line Interface (CLI),
 - a Telnet server,
 - a Web browser, and
 - an SNMP agent.
2. **FocalPoint™ 2.0 Management Application**, which can be used to monitor and control the *PointSystem*™ chassis from a remote location.
3. A **User's Guide**, which describes in detail how to use both the CPSMM100 firmware and the *FocalPoint*™ 2.0 management application.

Installing the CPSMM-120

The CPSMM-120 management module is designed to be installed into a Transition Networks *PointSystem*™ chassis to enable network management of any media converter slide-in-modules installed in the chassis. The following chassis are available:

- CPSMC0200-100, 2-slot *PointSystem*™ chassis
- CPSMC0800-100, 8-slot *PointSystem*™ chassis
- CPSMC13xx-100, 13-slot *PointSystem*™ chassis
- CPSMC18xx-xxx, 18-slot *PointSystem*™ chassis
- CPSMC19xx-100, 19-slot *PointSystem*™ chassis



Redundant Management

Two CPSMM-120 management modules may be installed in the same network. In this set-up, the two modules auto-negotiate; where one is the primary module while the other is in stand-by mode. If the primary module fails, the stand-by module automatically takes over and manages the network.

Replacing the CPSMM-120

The CPSMM-120 can be hot-swapped, that is, the CPSMM-120 can be replaced while the *PointSystem*™ chassis is powered. However, please note that:

- If there are **two** management modules installed in the same network, the stand-by module will continue to manage the network while the primary module is replaced. Also, the stand-by module will retain all network settings.
- If there is **only one** management module installed, all SNMP management operations will cease once the module is removed. The newly installed management module must be reconfigured to resume network management.

For more information on installing and replacing the CPSMM-120, see the user's guide for the chassis in which the module will be installed. The chassis manuals can be found on the Transition Network website at: www.transition.com.

Network Management

CPSMM100 Firmware

The Transition Networks CPSMM100 firmware is embedded in the CPSMM-120 management module. The firmware includes:

- a **Command-Line Interface (CLI)**,
- a **Telnet server**,
- a **Web browser**, and
- an **SNMP agent**.

Each of these applications can be accessed either through the module's DB-9 serial port or RJ-45 Ethernet port, which allows the network administrator to monitor and control the network from an attached terminal or from a remote location.

FocalPoint™ 2.0 Management Application

Transition Networks *FocalPoint™ 2.0* management application can be installed in a networked computer to provide a graphical user interface to monitor the network. The version on the enclosed CD supports all features of the enclosed CPSMM100 firmware as well as all Transition Networks slide-in-modules that are available at the time the CD was produced.

NOTE: For detailed information on how to:

- Set up and configure a network using the CPSMM100 firmware.
- Use the command-line interface, Telnet server, or Web browser.
- Install and use the *FocalPoint™ 2.0* management application.

See the *FocalPoint™ 2.0 Management Application and CPSMM100 Firmware User's Guide* on the enclosed application CD. It can also be viewed on the Transition Networks website at: www.transition.com.

Operation

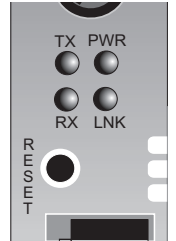
LED Indicators

The CPSMM-120 management module has four status LEDs, which are used to monitor the operation of the management module in the network.

Operation -- continued

LEDs indications -- continued

PWR	(Power)	The management module is receiving power from the chassis.
LNK	(Link)	A link has been established via the DB-9 serial port or the RJ-45 Ethernet port.
RX	(Receive)	The management module is receiving data via the DB-9 serial port or the RJ-45 Ethernet port.
TX	(Transmit)	The management module is transmitting data via the DB-9 serial port or the RJ-45 Ethernet port.



Reset Switch

The CPSMM-120 has a reset switch which **only** resets the management module, **not** the entire chassis in which the module has been installed.

Technical Specification

For use with Transition Networks Model CPSMM-120 or equivalent.

Standards	CISPR 22:1993; Class A; CE Mark	
Dimensions	3.4" x 0.86" x 5.0" (86 mm x 22 mm x 127 mm)	
Weight	3 oz. (91 g) (approximate)	
Power Consumption	2.4 Watts.	
MTBF	243,000 hours (MIL217F2 V5.0) (MIL-HDBK-217F) 1,241,000 hours (Bellcore7 V5.0)	
Environment	Tmra*:	0 to 60°C (32 to 140°F)
	Storage Temp:	-20 to 85°C (-4 to 185°F)
	Humidity:	10 to 90%, non condensing
	Altitude:	0 to 10,000 feet
Warranty	Lifetime	

*Manufacturer's rated ambient temperature: Tmra range for these management modules depend on the physical characteristics and the installation configuration of the Transition Networks *PointSystem™* chassis in which the modules will be installed. See the user's guide **for the chassis in which these modules will be installed** for temperature-related installation constraints.

WARNING: Visible and invisible laser radiation when open. Do not stare into the beam or view the beam directly with optical instruments. Failure to observe this warning could result in an eye injury or blindness.

WARNING: Use of controls, adjustments or the performance of procedures other than those specified herein may result in hazardous radiation exposure.

The information in this user's guide is subject to change. The most up-to-date revision of the CPSMM-120 user's guide can be viewed at: www.transition.com.

Troubleshooting

If the management module fails, isolate and correct the failure by determining the answers to the following questions and then taking the indicated action:

1. **Press the Reset button on the management module. Does the fault resolve itself?**

NO

- Proceed to step 2.

2. **Is the PWR (power) LED on the management module illuminated?**

NO

- Is the management module inserted properly into the chassis?
- Is the chassis properly connected to the external power source.
- Contact Technical Support: US/Canada: 1-800-260-1312, International: 00-1-952-941-7600.

YES

- Proceed to step 3.

3. **Is the LNK (copper link) LED on the management module illuminated?**

NO

- If the DB-9 serial port is being used for data transmission, check it for proper connection.
- If the RJ-45 Ethernet port is being used for data transmission, check it for proper connection.
- Contact Technical Support: US/Canada: 1-800-260-1312, International: 00-1-952-941-7600.

YES

- Proceed to step 4.

NOTE: To isolate faults involving data transmission, Please see the "Troubleshooting" section of the **FocalPoint™ 2.0 Management Application and CPSMM100 Firmware User's Guide** on the enclosed application CD. It can also be viewed on the Transition Networks website at: www.transition.com.

Contact Us

Technical Support

Technical support is available 24 hours a day.

US and Canada: **1-800-260-1312**

International: **00-1-952-941-7600**

Transition Now

Chat live via the Web with Transition Networks Technical Support.

Log onto **www.transition.com** and click the **Transition Now** link.

Web-Based Seminars

Transition Networks provides seminars via live web-based training.

Log onto **www.transition.com** and click the **Learning Center** link.

E-Mail

Ask a question anytime by sending an e-mail to our technical support staff.

techsupport@transition.com

Address

Transition Networks



6475 City West Parkway

Minneapolis, MN 55344, U.S.A.

telephone: 952-941-7600

toll free: 800-526-9267

fax: 952-941-2322

		Declaration of Conformity	
Name of Mfg:	Transition Networks		
	6475 City West Parkway, Minneapolis MN 55344 U.S.A.		
Model:	CPSMM-120 Single-Slot Master Management Module		
Part Number:	CPSMM-120		
Regulation:	EMC Directive 89/336/EEC		
Purpose:	To declare that the CPSMM-120 to which this declaration refers are in conformity with the following standards.		
	CISPR 22:1993; EN 55022:1998; Class A; EN 55024:1998; FCC Part 15 Subpart B;		
	I, the undersigned, hereby declare that the equipment specified above conforms to the above Directive(s) and Standard(s).		
	 Stephen Anderson, Vice-President of Engineering		May, 2007 Date

Compliance Information

CE Mark

FCC Regulations

This equipment has been tested and found to comply with the limits for a Class A digital device, pursuant to part 15 of the FCC rules. These limits are designed to provide reasonable protection against harmful interference when the equipment is operated in a commercial environment. This equipment generates, uses, and can radiate radio frequency energy and, if not installed and used in accordance with the instruction manual, may cause harmful interference to radio communications. Operation of this equipment in a residential area is likely to cause harmful interference, in which case the user will be required to correct the interference at the user's own expense.

Canadian Regulations

This digital apparatus does not exceed the Class A limits for radio noise for digital apparatus set out on the radio interference regulations of the Canadian Department of Communications. Le présent appareil numérique n'émet pas de bruits radioélectriques dépassant les limites applicables aux appareils numériques de la Class A prescrites dans le Règlement sur le brouillage radioélectrique édicté par le ministère des Communications du Canada.

European Regulations

Warning This is a Class A product. In a domestic environment this product may cause radio interference in which case the user may be required to take adequate measures.

Achtung! Dieses ist ein Gerät der Funkstörgrenzwertklasse A. In Wohnbereichen können bei Betrieb dieses Gerätes Rundfunkstörungen auftreten. In diesem Fall ist der Benutzer für Gegenmaßnahmen verantwortlich.

Attention! Ceci est un produit de Classe A. Dans un environnement domestique, ce produit risque de créer des interférences radioélectriques, il appartiendra alors à l'utilisateur de prendre les mesures spécifiques appropriées.



In accordance with European Union Directive 2002/96/EC of the European Parliament and of the Council of 27 January 2003, Transition Networks will accept post usage returns of this product for proper disposal. The contact information for this activity can be found in the 'Contact Us' portion of this document.



CAUTION: RJ connectors are NOT INTENDED FOR CONNECTION TO THE PUBLIC TELEPHONE NETWORK. Failure to observe this caution could result in damage to the public telephone network.

Der Anschluss dieses Gerätes an ein öffentliches Telekommunikationsnetz in den EG-Mitgliedstaaten verstößt gegen die jeweiligen einzelstaatlichen Gesetze zur Anwendung der Richtlinie 91/263/EWG zur Angleichung der Rechtsvorschriften der Mitgliedstaaten über Telekommunikationsendeinrichtungen einschliesslich der gegenseitigen Anerkennung ihrer Konformität.

Trademark Notice

All trademarks and registered trademarks are the property of their respective owners.

Copyright Restrictions

© 2001, 2004-2005 Transition Networks.

All rights reserved. No part of this work may be reproduced or used in any form or by any means - graphic, electronic, or mechanical - without written permission from Transition Networks.

Printed in the U.S.A.

33203.F

Free Manuals Download Website

<http://myh66.com>

<http://usermanuals.us>

<http://www.somanuals.com>

<http://www.4manuals.cc>

<http://www.manual-lib.com>

<http://www.404manual.com>

<http://www.luxmanual.com>

<http://aubethermostatmanual.com>

Golf course search by state

<http://golfingnear.com>

Email search by domain

<http://emailbydomain.com>

Auto manuals search

<http://auto.somanuals.com>

TV manuals search

<http://tv.somanuals.com>