

Specifications:

Case size dimensions:	3.5" x 3.75" x 1.25" (89 mm x 95 mm x 32 mm)		
AUI Port:	Male DB-15 with locking posts.		
AUI Connection:	Use only an IEEE 802.3 equivalent AUI cable.		
Connector Legend:	1 Logic Ref.	9 Collision-	
	2 Collision+	10 Transmit-	
	3 Transmit+	11 Logic Ref.	
	4 Logic Ref.	12 Receive-	
	5 Receive+	13 Power	
	6 Power Return	14 Logic Ref.	
	7 N/C	15 N/C	
	8 Logic Ref.		
AUI Drop Cable Maximum Distance:	50 meters (165 feet)		
10Base5 Cable Maximum Distance:	500 meters (1640 feet)		
10Base2 Cable Maximum Distance:	185 meters (610 feet)		
Environment:	0-50 degrees C, 10-90% humidity, non-condensing, 0-10,000 foot altitude		
Warranty:	Five years		

FCC Regulations:

Note: This equipment has been tested and found to comply with the limits for a Class A digital device, pursuant to Part 15 of the FCC Rules. These limits are designed to provide reasonable protection against harmful interference when the equipment is operated in a commercial environment. This equipment generates, uses, and can radiate radio frequency energy and, if not used in accordance with the instruction manual, may cause harmful interference to radio communications. Operation of this equipment in a residential area is likely to cause harmful interference in which case the user will be required to correct the interference at his own cost.

NOTE: This digital apparatus does not exceed the Class A limits for radio noise for digital apparatus set out on the radio interference regulations of the Canadian Department of Communications.

NOTE: This equipment has been tested and found to comply with VDE Class B requirements.

For selling in the Federal Republic of Germany:

Hiermit wird bescheinigt, das der E-FRL-MC01 oder E-FRL-MC01(SMA) in Ubereinstimmung mit den Bestimmungen der Vfg. 243/1991 funk-entstoert ist. Der Deutschen Bundespost wurde das Inverkehrbringen dieses Gerates angezeigt und die Berechtigung zur Ueberpruefung der Serie auf Einhaltung der Bestimmungen eingeräumt. TRANSITION Networks, Inc.

Canadian Regulations:

Note: This digital apparatus does not exceed the Class A limits for radio noise for digital apparatus set out on the radio interference regulations of the Canadian Department of Communications.

Copyright Restrictions

© 1995 Transition Networks, Inc.

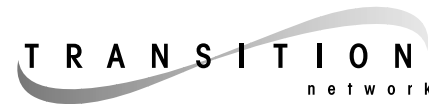
All rights reserved. No part of this work may be reproduced or used in any form or by any means - graphic, electronic, or mechanical - without written permission from Transition Networks, Inc.

Trademarks:

Ethernet is a registered trademark of the Xerox Corporation, Inc.

ST is a trademark of AT&T.

TRANSITION Networks and Micro-Ceiver are trademarks of TRANSITION Networks



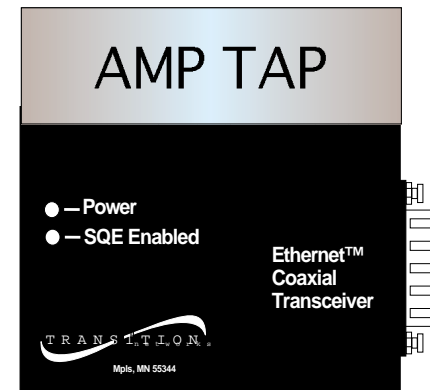
Minneapolis, MN 55344 USA

Ethernet Coaxial Transceiver

E-CX-MC02, E-CX-MC03, E-CX-MC04, E-CX-MC05

USER'S GUIDE

The TRANSITION Networks Ethernet™ Coaxial Transceiver (E-CX-MC02, E-CX-MC03, E-CX-MC04, or E-CX-MC05) is designed to provide connection between the Thick (10Base5) or Thin (10Base2) coaxial Ethernet environment and a PC or hub with an AUI connector.



The TRANSITION Networks Ethernet™ Coaxial Transceiver part numbers indicate the AMP tap that is shipped with the Coaxial Transceiver:

E-CX-MC02:	with AMP non-intrusive tap	228752-1
E-CX-MC03:	with AMP N-Series intrusive tap,	221914-1
E-CX-MC04:	with AMP BNC-T connector	221918-1
E-CX-MC05:	with AMP BNC vertical adapter	222455-1

All Ethernet™ Coaxial Transceivers provide a male AUI connector.

Status LEDs on the Ethernet Coaxial Transceiver provide the following information:

Power: Illuminated green LED indicates power through the AUI connector.

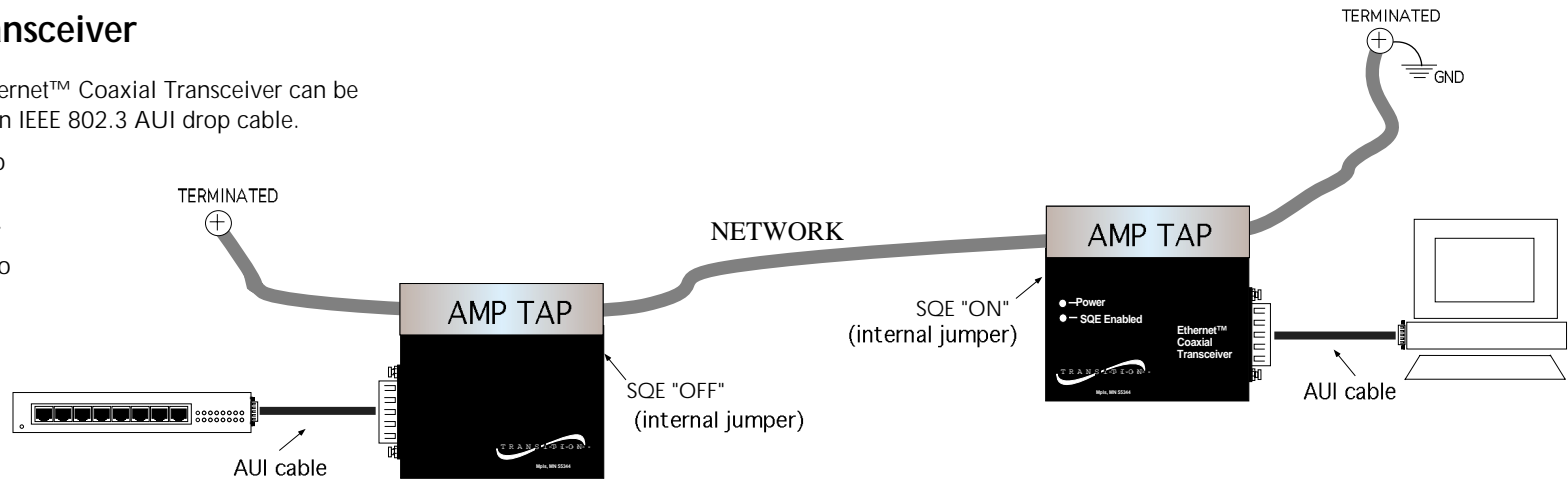
SQE Enabled: Illuminated green LED indicates the SQE jumper is set to ON.

Using the Coaxial Transceiver

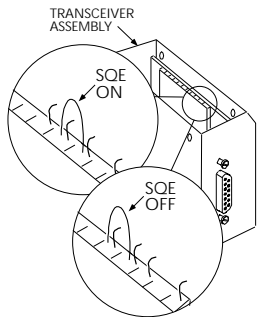
The TRANSITION Networks Ethernet™ Coaxial Transceiver can be attached to a PC or hub, using an IEEE 802.3 AUI drop cable.

SQE ON: Set the SQE jumper to ON when the Transceiver is connected to a terminal device.

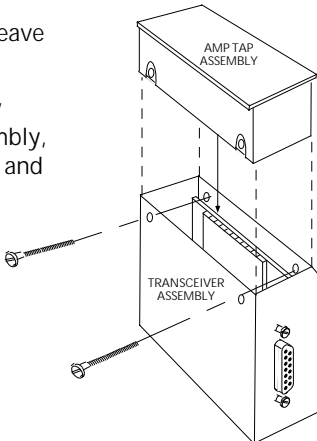
SQE OFF: Set the SQE jumper to OFF when the Transceiver is connected to a hub or repeater.



Installation Notes



- If connecting the Coaxial Transceiver to a terminal device, set the SQE jumper to ON by installing the SQE jumper as shown. NOTE: The SQE jumper is shipped in the default OFF position.
- If connecting the Coaxial Transceiver to a hub or repeater, leave the SQE jumper in the default OFF position as shipped.
- Attach the AMP tap assembly to the transceiver assembly by removing the two screws (shown) from the transceiver assembly, sliding the AMP tap assembly into the transceiver assembly, and then reinstalling the two screws.



- Connect the AMP tap assembly to the network:

Model MC02: The transceiver is attached to the thick coax via the AMP tap assembly, part number 228752-1. An AMP installation tool kit, part number 228917-1 is required. For complete installation instructions, read the instructions provided with the AMP coax tap kit. Failure to install the coax tap properly may cause damage to the transceiver and network.

Model MC03: The transceiver is connected to thick coax through the attached female N connectors on the AMP tap assembly, part number 221914-1.

Model MC04: The transceiver is connected to the thin coax through the attached BNC T connector on the AMP tap assembly, part number 221918-1.

Model MC05: The transceiver is connected through the attached straight BNC connector on the AMP tap assembly, part number 222455-1. NOTE: A BNC "T" connector and terminator (not included) is required.

- AUI drop cable assembly cannot exceed 50 meters (165 feet).
- When installing thin or thick coax cable, remember to install a 50 ohm terminator at each end of the segment. Be sure that one end of the segment is connected to earth ground.

Troubleshooting

If the Coaxial Transceiver fails, ask the following question:

1. Is the power LED on the Coaxial Transceiver illuminated?
 - NO**
 - Verify that AUI cables are IEEE 802.3 compliant.
 - Verify that AUI cables are connected to PC or hub.
 - Verify that PC or hub connected to AUI is powered ON. NOTE: Coaxial Transceiver is powered by PC or hub.
 - Contact Technical Support at (800) 260-1312 or at (800) LAN-WANS.
 - YES**
 - Proceed to step 2.
2. Does Coaxial Transceiver provide access to network?
 - NO**
 - Verify that coaxial network segment is properly terminated at each end with 50 ohm terminator.
 - Verify that coaxial network segment is properly grounded at one end.
 - Contact Technical Support at (800) 260-1312 or at (800) LAN-WANS.

Free Manuals Download Website

<http://myh66.com>

<http://usermanuals.us>

<http://www.somanuals.com>

<http://www.4manuals.cc>

<http://www.manual-lib.com>

<http://www.404manual.com>

<http://www.luxmanual.com>

<http://aubethermostatmanual.com>

Golf course search by state

<http://golfingnear.com>

Email search by domain

<http://emailbydomain.com>

Auto manuals search

<http://auto.somanuals.com>

TV manuals search

<http://tv.somanuals.com>