



INSTALLATION INSTRUCTIONS FOR Model : 25402

WARNING SHUT POWER OFF AT FUSE OR CIRCUIT BREAKER.

MOUNTING THE FIXTURE(Fig.1)

1. Shut off the power at the circuit breaker and remove old fixture including the crossbar.
2. Carefully unpack your new fixture and lay out all the parts on a clear area. Take care not to lose any small parts necessary for installation.
3. Screw the nipple on the mounting bar(A), after being adjusted to the suitable mounting length, firm them using the small hex nuts.
4. Attach the mounting bar(A) on the outlet box using the screws(B).

5. Connecting the wires(Fig.2):

Connect the black wire from the fixture to the black house (hot) wire. Connect the white wire from the fixture to the white (neutral) house wire. Make sure all wire nuts are secured. You may wrap the connections with electrical tape. If your outlet has a ground wire (green or bare copper), connect fixture's ground wire to it. Otherwise, connect fixture's ground wire directly to the mounting bar using the green screw provided. Tuck the wire connections neatly into the junction box.

6. Mount the fixture(D) against the wall through the mounting screws(B), and firm it using the ball nuts(C).
7. Attach the glass shade(E) on the fixture, and firm it using the socket ring(F) and check ring(G).
8. Install bulb. (Type A-19, not supplied.)
9. Turn on the power at fuse or circuit box.

DO NOT EXCEED THE MAXIMUM WATTAFE RATING!

Your installation is now complete. Return power to the junction box and test the fixture.

Fig. 1

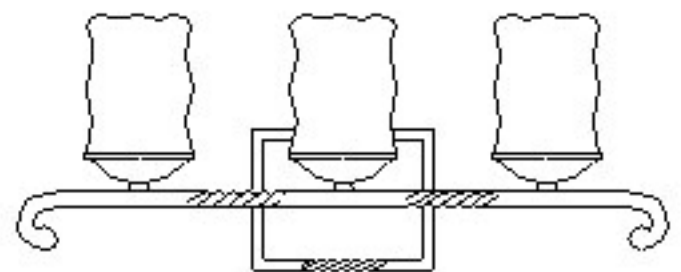
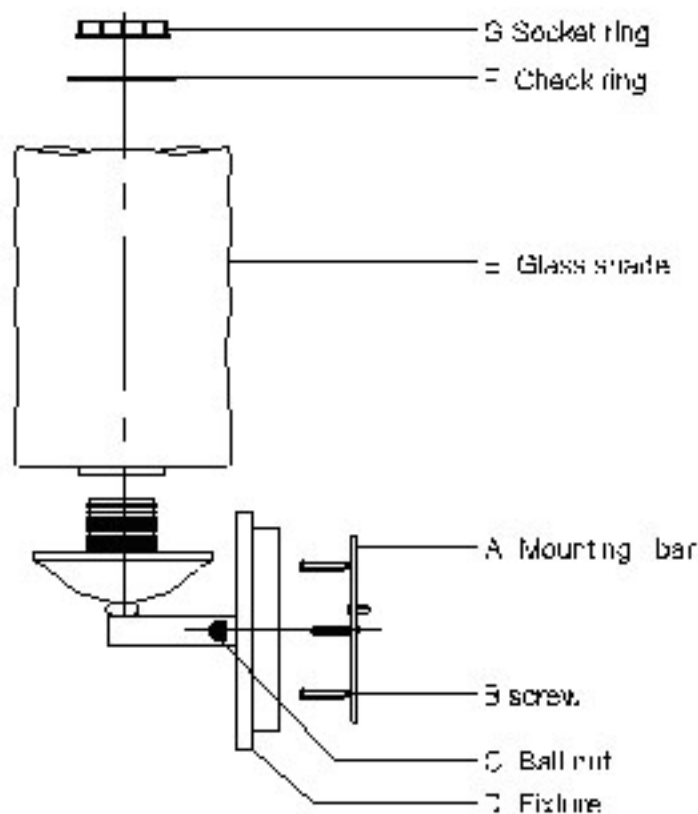
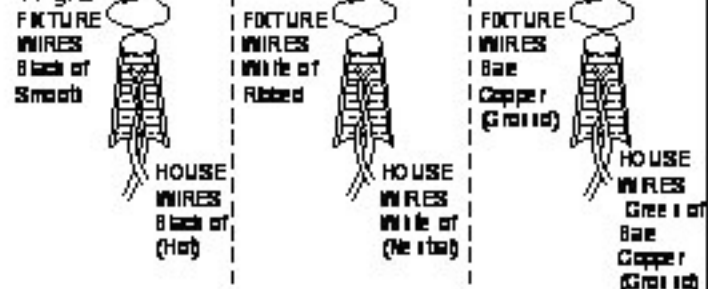


Fig. 2



Free Manuals Download Website

<http://myh66.com>

<http://usermanuals.us>

<http://www.somanuals.com>

<http://www.4manuals.cc>

<http://www.manual-lib.com>

<http://www.404manual.com>

<http://www.luxmanual.com>

<http://aubethermostatmanual.com>

Golf course search by state

<http://golfingnear.com>

Email search by domain

<http://emailbydomain.com>

Auto manuals search

<http://auto.somanuals.com>

TV manuals search

<http://tv.somanuals.com>