

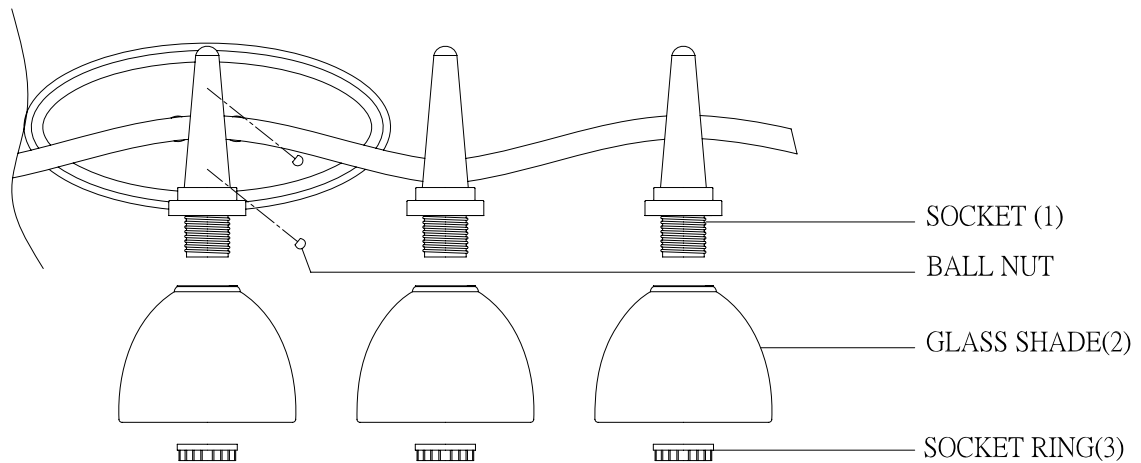


Assembly Instructions

ITEM NO: 25603

25602

25604



1. Carefully remove the fixture out of the carton, and check that all the parts are included referring to the above illustration .Make sure not to misplace any parts that are needed for the installation;
2. Put the glass shade(2) onto socket(1), and secure it with socket(3);
3. Install the lamps on!

Free Manuals Download Website

<http://myh66.com>

<http://usermanuals.us>

<http://www.somanuals.com>

<http://www.4manuals.cc>

<http://www.manual-lib.com>

<http://www.404manual.com>

<http://www.luxmanual.com>

<http://aubethermostatmanual.com>

Golf course search by state

<http://golfingnear.com>

Email search by domain

<http://emailbydomain.com>

Auto manuals search

<http://auto.somanuals.com>

TV manuals search

<http://tv.somanuals.com>