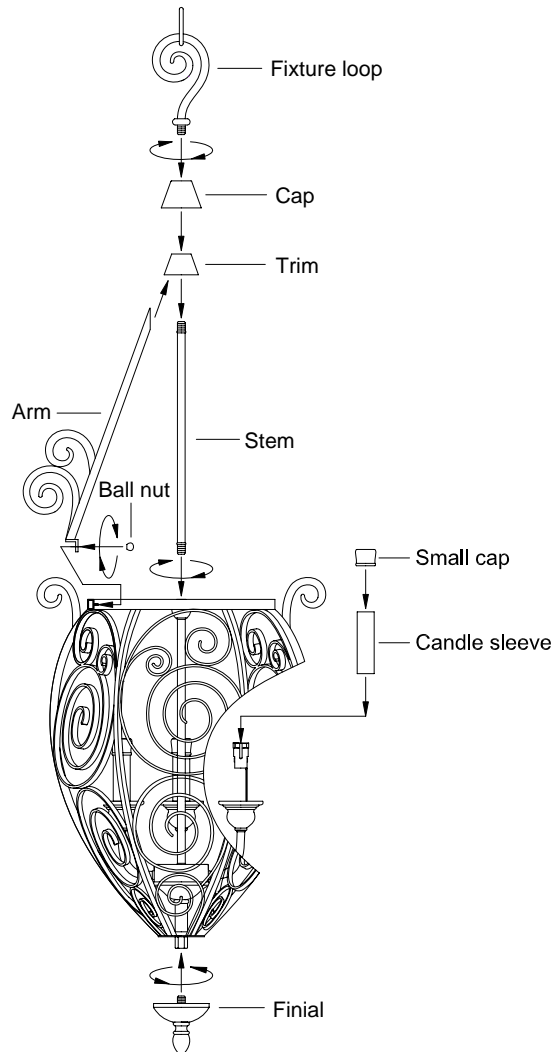




ASSEMBLY INSTRUCTION FOR 29222-15



1. Before beginning the assembly, carefully unpack and identify all parts referring to the illustration.
2. Unravel the supply power and ground wires and pass through the center hole of top assembly and fixture loop.
3. Thread stem into the coupling at the center of fixture body.
4. Install the bottom end of arm onto the protruding nipple of fixture body. Aligning the top end of arm with side slot of trim, and slide trim over stem and secure them with fixture loop.
5. Thread finial to the coupling at the bottom of fixture body as shown.
6. Carefully place candle sleeve over socket, and small cap over candle sleeve.
7. Install proper bulbs (not provided) to the socket referring to the markings and labels on fixture for maximum wattage.
8. Restore power to the installation point ON. Retain this sheet for future reference.

IF IN DOUBT ABOUT ELECTRICAL INSTALLATION,
CONSULT A LICENSED ELECTRICIAN!

01.07

Free Manuals Download Website

<http://myh66.com>

<http://usermanuals.us>

<http://www.somanuals.com>

<http://www.4manuals.cc>

<http://www.manual-lib.com>

<http://www.404manual.com>

<http://www.luxmanual.com>

<http://aubethermostatmanual.com>

Golf course search by state

<http://golfingnear.com>

Email search by domain

<http://emailbydomain.com>

Auto manuals search

<http://auto.somanuals.com>

TV manuals search

<http://tv.somanuals.com>