

WALL MOUNT INSTALLATION INSTRUCTIONS

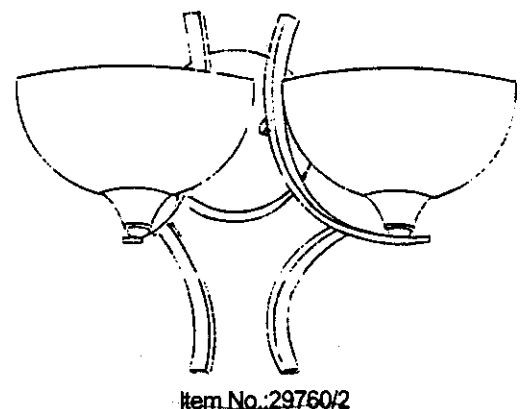
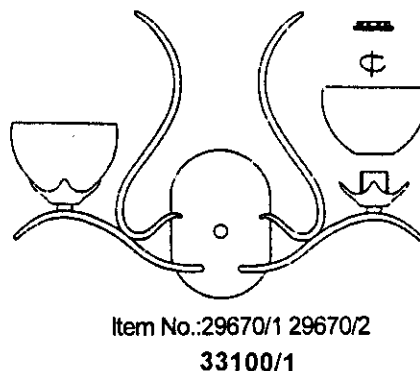
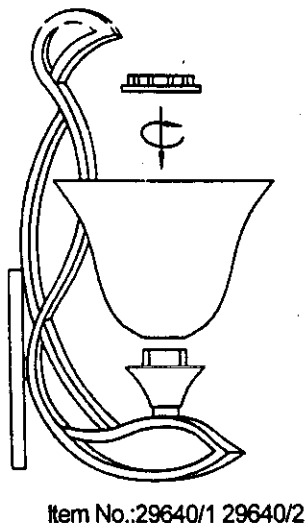
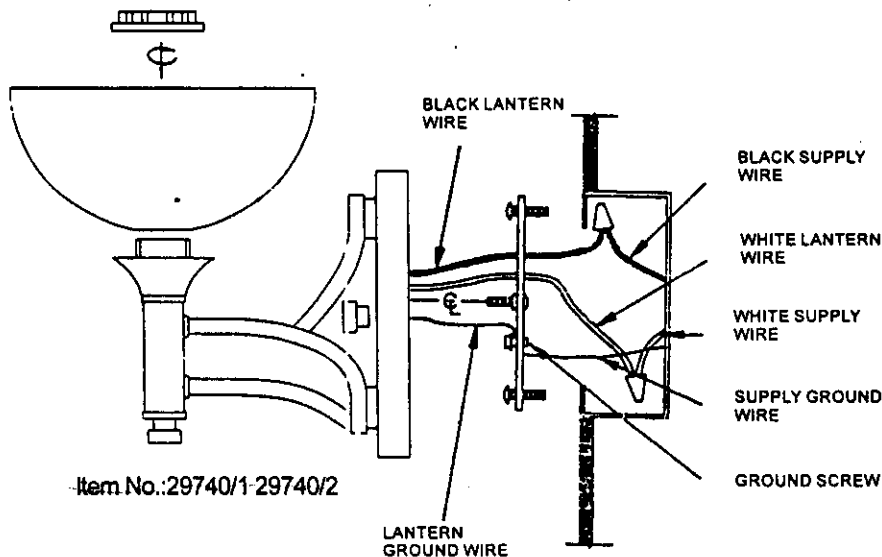
READ AND SAVE THESE INSTRUCTIONS

CAUTION: BEFORE ASSEMBLING YOUR LIGHTING FIXTURE, REFER TO THIS SECTION TITLED ELECTRICAL CONNECTIONS. IF YOU FEEL THAT YOU DO NOT HAVE ELECTRICAL WIRING EXPERIENCE, REFER TO A DO IT YOURSELF WIRING HANDBOOK OR HAVE YOUR FIXTURE INSTALLED BY A QUALIFIED LICENSED ELECTRICIAN.

ASSEMBLE THE FIXTURE (NOTE: FIRST TURN OFF ELECTRICITY)

REFER TO FIGURES FOR ILLUSTRATION OF TYPICAL FIXTURE PARTS AND ASSEMBLIES.

1. IF YOU ARE REPLACING AN EXISTING FIXTURE, DISCONNECT AND REMOVE THE OLD FIXTURE, EXPOSE THE WIRING IN THE OUTLET BOX.
2. ATTACH CROSS BAR TO THE OUTLET BOX WITH THE (2) SCREW.
3. CONNECT THE WHITE FIXTURE WIRE TO THE WHITE SUPPLY WIRE USING A WIRE CONNECTOR. CONNECT THE BLACK FIXTURE WIRE TO THE BLACK SUPPLY WIRE IN THE SAME MANNER. CONNECT THE SUPPLY GROUND WIRE ONTO THE CROSS BAR USING THE GREEN SCREW.
4. RAISE THE FIXTURE TO THE WALL SO THAT THE NIPPLE COMES THROUGH THE CENTER HOLE. SECURE THE FIXTURE WITH THE FINIAL, APPLY SILICONE OR RTV COMPOUND BETWEEN TOP AND SIDES OF BACKPLATE AND WALL.
5. INSTALL THE GLASS ONTO THE SOCKET AND SECURE IT BY SOCKET RING.



Free Manuals Download Website

<http://myh66.com>

<http://usermanuals.us>

<http://www.somanuals.com>

<http://www.4manuals.cc>

<http://www.manual-lib.com>

<http://www.404manual.com>

<http://www.luxmanual.com>

<http://aubethermostatmanual.com>

Golf course search by state

<http://golfingnear.com>

Email search by domain

<http://emailbydomain.com>

Auto manuals search

<http://auto.somanuals.com>

TV manuals search

<http://tv.somanuals.com>