



# ASSEMBLY INSTRUCTION

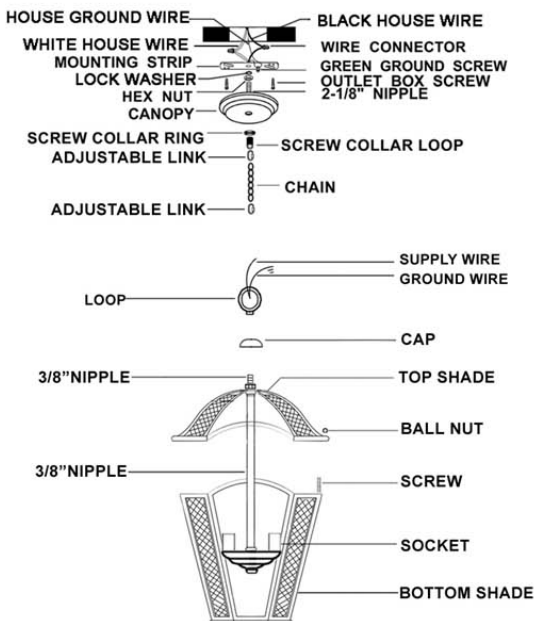
ITEM# 75277-15

1. Fasten mounting strip onto outlet box using 2 outlet box screws.
2. Thread 2-1/8" nipple into center hole of mounting strip about 4 complete turns . Lock in place with lock washer and hex nut. This nipple should extend long enough to protrude through the canopy when it is mounted .Adjust as necessary.
3. Place cap over the nipple and secure by tightening with loop.
5. Tighten the screw collar loop to the nipple on the mounting strip .Place canopy over the 2-1/8" nipple and screw collar loop onto the 2-1/8" nipple, then secure with the ring. Attach adjustable link to screw collar loop and to chain one end, then close the adjustable link. Attach adjustable link to chain at other end and to fixture loop. then close the adjustable link.
6. Weave the fixture wires up through the chain links, through the screw collar loop and through the nipple in the mounting strip. Position the outlet box supply wires and the fixture wires and the fixture wires outside of the outlet box to facilitate connection. After connection (step 7) is complete, carefully position black wires inside outlet box.
7. Connect the wire from the fixture to the power supply wire from outlet box.
  - a) Twist together glossy wire from the fixture with white wire from outlet box. Cover with wire connectors.
  - b) Twist together rough wire from the fixture with black wire from outlet box. Cover with wire connectors.
  - c) Wrap the bare ground wire from the fixture and the outlet box around the green ground screw located on the mounting strip . Tighten the green ground screw to the mounting strip.
8. Place the canopy all the way to the ceiling and tighten the ring onto the screw collar loop until the canopy is firmly held against the ceiling.
9. Install the bulbs (not included). Do not use greater than 60-watt bulb.
10. Mount bottom shade to top shade, secure with ball nut.
11. Restore electric power, and test your new fixture.

**NOTE:** Carefully remove the fixture from the carton. Check that all parts shown in package parts 1 and parts 2 are included. Be carefully not to misplace any of the screws or wire connectors, which are needed for installing the fixture.

## PACKAGE PART

MOUNTING STRIP	1	LOOP	1
1/2" HEX NUT	1	CAP	1
CANOPY	1	BALL NUT	2
RING	1		
WIRE CONNECTOR	2		
GREEN GROUND SCREW	1		
OUTLET BOX SCREW	2		
2-1/8" NIPPLE	1		
SCREW COLLAR LOOP	1		
CHAIN	1		
LOCK WASHER	1		
ADJUSTABLE LINK	2		



## Free Manuals Download Website

<http://myh66.com>

<http://usermanuals.us>

<http://www.somanuals.com>

<http://www.4manuals.cc>

<http://www.manual-lib.com>

<http://www.404manual.com>

<http://www.luxmanual.com>

<http://aubethermostatmanual.com>

Golf course search by state

<http://golfingnear.com>

Email search by domain

<http://emailbydomain.com>

Auto manuals search

<http://auto.somanuals.com>

TV manuals search

<http://tv.somanuals.com>