



INSTALLATION INSTRUCTIONS

FOR Model : 75310-14

WARNING SHUT POWER OFF AT FUSE OR CIRCUIT BREAKER.

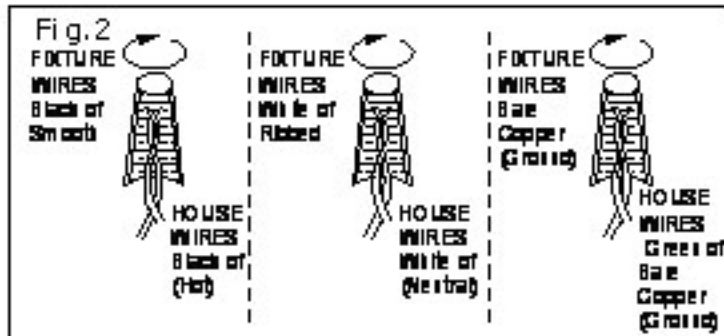
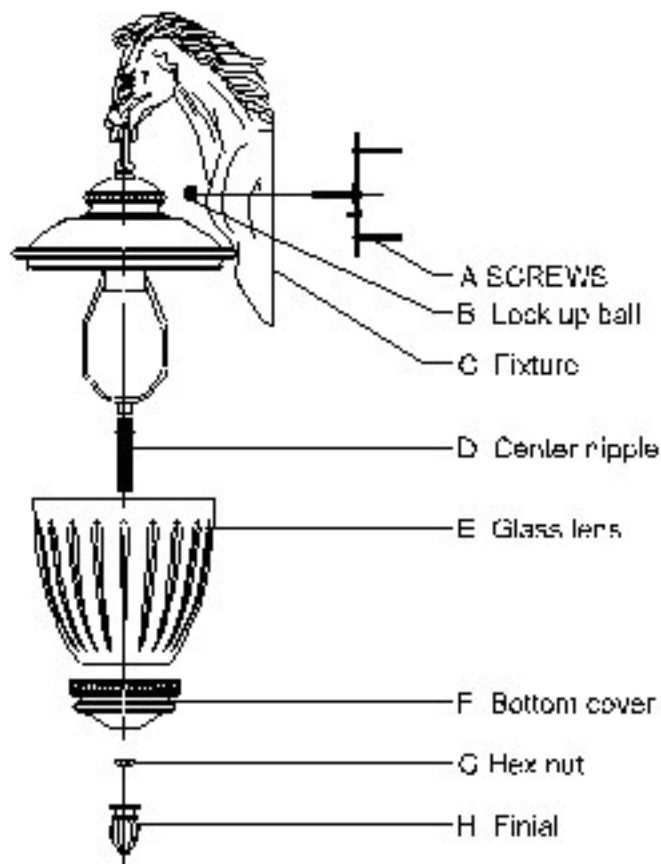
MOUNTING THE FIXTURE(Fig.1)

1. Shut off the power at the circuit breaker and remove old fixture,including the crossbar.
2. Carefully unpack your new fixture and lay out all the parts on a clear area. Take care not to lose any small parts necessary for installation.
3. Attach the mounting bar on the outlet box using the screws(A).
4. Connecting the wires(Fig.2):
Connect the black wire from the fixture to the black house (hot) wire .Connect the white wire from the fixture to the white (neutral) house wire .Make sure all wire nuts are secured .You may wrap the connections with electrical tape.If your outlet has a ground wire (green or bare copper), connect fixture's ground wire to it. Otherwise, connect fixture's ground wire directly to the mounting bar using the green screw provided. Tuck the wire connections neatly into the junction box.
5. Mount the fixture(C) against the wall using the set screws, and install it using the lock up balls (B).
6. Install bulb.(Type A-19, not supplied.)
7. Screw the bottom center nipple(D) on the bottom coupler of the backet of the fixture(C),and then firm the center nipple using hex nut. Install the glass lens(E), bottom cover(F) on the fixture,and firm them using the hex nut(G).Install the bottom finial(H)on the fixture.
8. Turn on the power at fuse or circuit box.

DO NOT EXCEED THE MAXIMUM WATTAFE RATING!

Your installation is now complete. Return power to the junction box and test the fixture.

Fig. 1



Free Manuals Download Website

<http://myh66.com>

<http://usermanuals.us>

<http://www.somanuals.com>

<http://www.4manuals.cc>

<http://www.manual-lib.com>

<http://www.404manual.com>

<http://www.luxmanual.com>

<http://aubethermostatmanual.com>

Golf course search by state

<http://golfingnear.com>

Email search by domain

<http://emailbydomain.com>

Auto manuals search

<http://auto.somanuals.com>

TV manuals search

<http://tv.somanuals.com>