



UFO 100, 120 digital antenna

891020A

GB

Mounting instructions



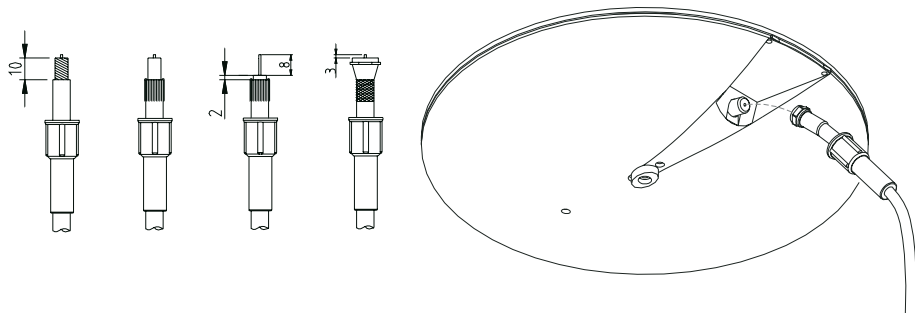
TRIAX - your ultimate connection

UFO 100, 120

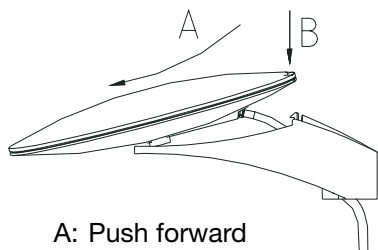
digital antenna

GB

Connection cable and assembly

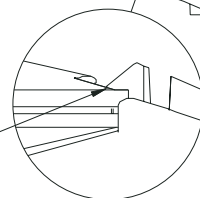


Mount UFO on base

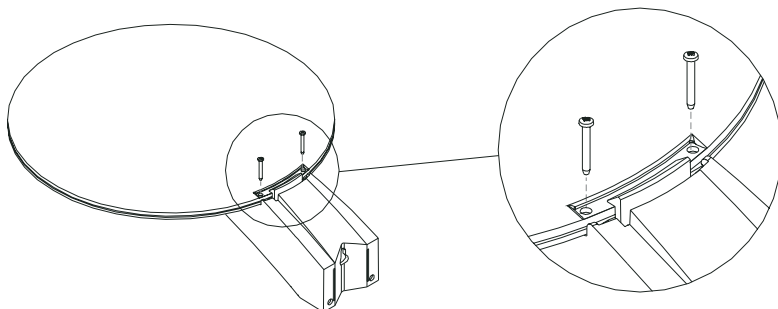


- A: Push forward
- B: Push down

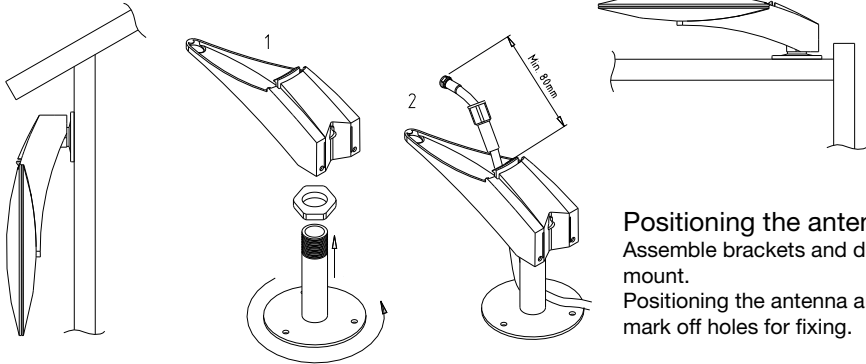
Ensure that the UFO shells are fully mated with the bracket



Secure with enclosed screws



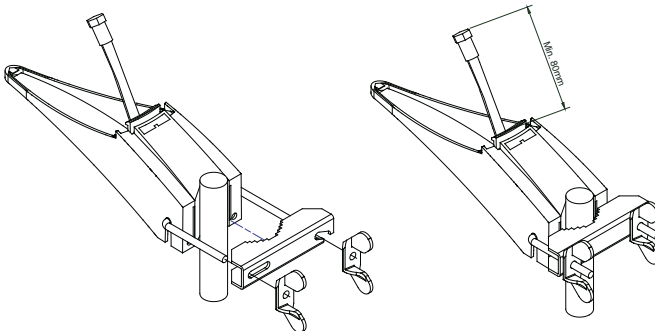
Mounting options on vertical or horizontal surface



Prepare the plastic base for mounting of U-clamp for mast bracket



Mounting on mast.

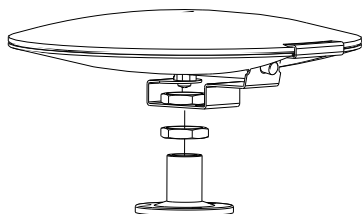


UFO 100, 120

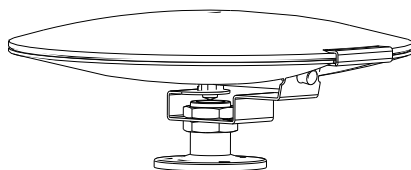
digital antenna

GB

Mounting with centre mount (UFO 120 digital)

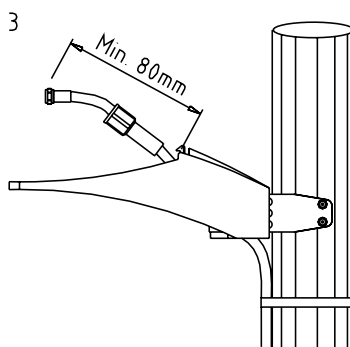
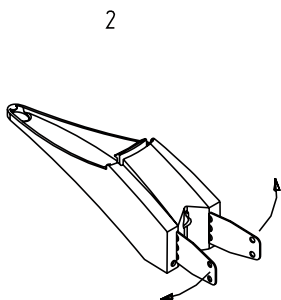
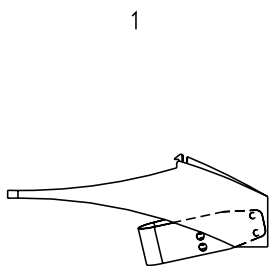


Positioning the antenna:
Centre mounting bracket and deckmount. Position the antenna and mark off holes for fixing.



Positioned antenna
and counter nut fixed.

Mounting with universal mount (UFO 120 digital)



Troubleshooting guide

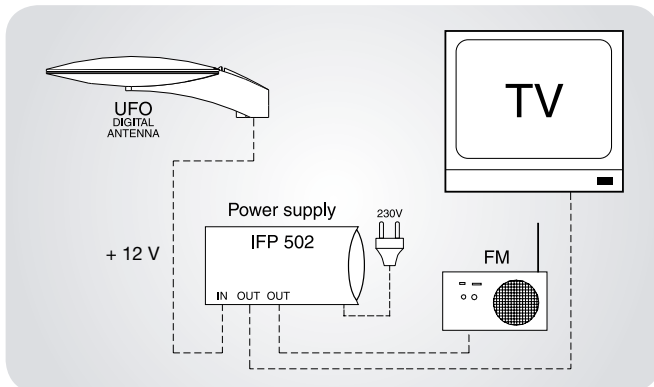
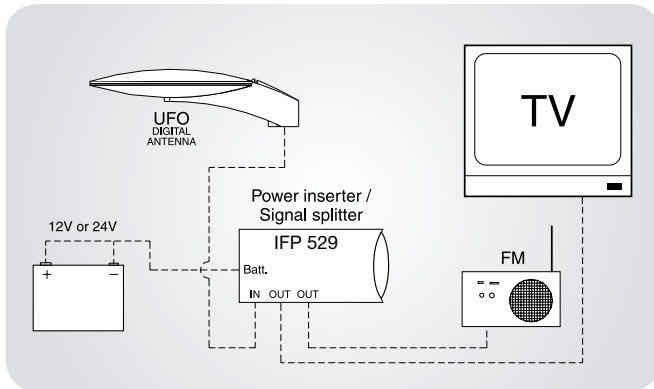
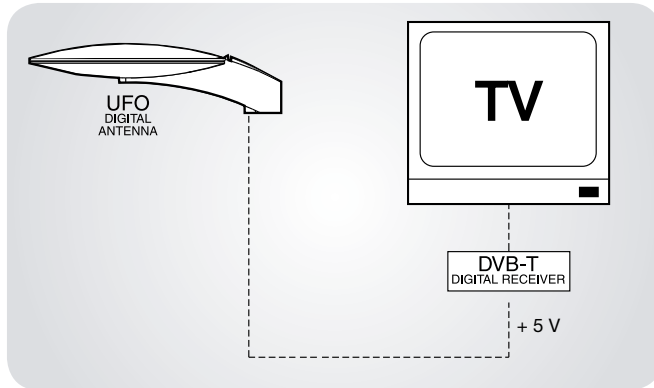
Problem	Possible root cause	Solution
Weak or missing signal -check LED on power supply (PSU)	NO light indicates no voltage. Often this is caused by a short or a missing connection in the coax-cable or the cable connectors	Remove the cable from the PSU, if the LED goes ON, there is a short in the cable. Then repair or replace the cable. If the LED is still off replace the PSU.
Weak or missing signal -check LED on power supply (PSU) -check LED on UFO	NO light indicates no voltage. Often this is caused by a short or a missing connection in the coax-cable or the cable connectors	If the LED is ON at the PSU, there is probably a missing connection in the cable or connectors. Repair or replace.
Interference; herring-bone pattern or white horizontal stripes in the picture.	Interference is often caused by different electronic equipment - mobile phones, computers or transmitters -being used in close proximity to the UFO.	Increase the distance – increase the height of the UFO
Ghosting; double pictures	Ghosting is caused by the TV signal being reflected from buildings, large ships etc.	Changing position a few meters, will often solve the problem.

UFO 100, 120

digital antenna

GB

Application examples



Technical data

Type			UFO 100	UFO 120
Art. No.			Digital 109100	Digital 109120
Frequency range	FM	MHz	87.5-108	87.5-108
	VHF	MHz	174-230	174-230
	UHF	MHz	470-862	470-862
Channels			FM/5-12/21-69	FM/5-12/21-69
Elements		pcs.	1	1
Opening angle	ver./hor.	deg.	90/360	90/360
Windload		N	5.5	5.5
Gain		dB	28	28
Noise figure		dB	2.5	2.5
Max. output voltage		dB μ V	108	108
Supply voltage		V	5-24	5-24
Power consumption		mA	50	50
Dimensions	length	mm	325	325
	width	mm	255	255
	height	mm	65	65
Connector			F-connectors	F-connectors
Included			Mast bracket Ø25-60 Plastic base	Mast bracket Ø25-60 Plastic base Universal mount Centre mount



Mast bracket
Ø25-60
Art. No. 133223



Plastic base
Art. No. 133220



Universal mount
Art. No. 133222



Centre mount
Art. No. 133225

Accessories



IFP 502
Power supply
Art. No. 339502



IFP 529
Power inserter
Art. No. 339529



891020A

06-2009

DECLARATION OF CONFORMITY

TRIAX confirms that the product conforms to relevant EEC harmonized standards and consequently can carry CE-mark.

Relevant harmonized standards:
EN 50083 and EN 60065

Dealer

A product of the TRIAX group

www.triax.com



TRIAX - your ultimate connection

Free Manuals Download Website

<http://myh66.com>

<http://usermanuals.us>

<http://www.somanuals.com>

<http://www.4manuals.cc>

<http://www.manual-lib.com>

<http://www.404manual.com>

<http://www.luxmanual.com>

<http://aubethermostatmanual.com>

Golf course search by state

<http://golfingnear.com>

Email search by domain

<http://emailbydomain.com>

Auto manuals search

<http://auto.somanuals.com>

TV manuals search

<http://tv.somanuals.com>