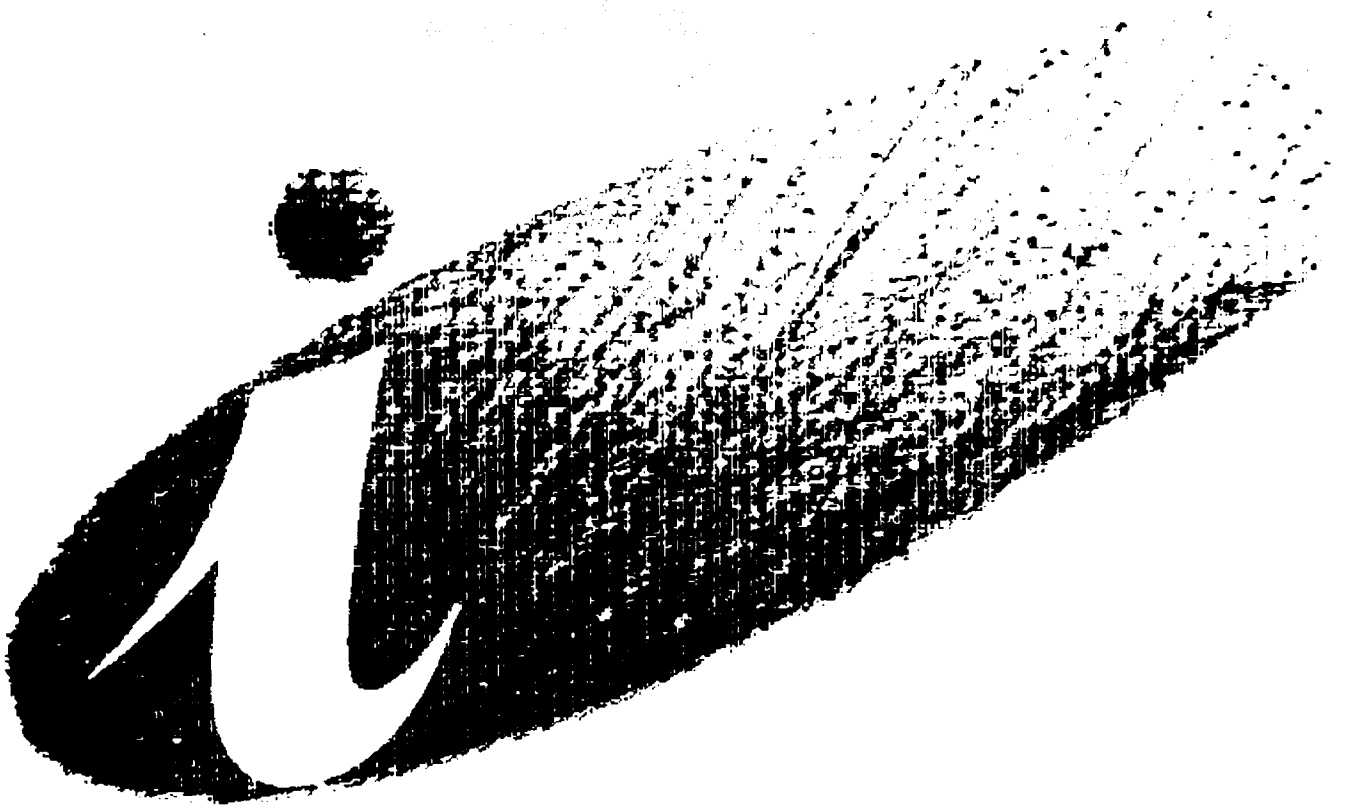




**OPERATING & INSTALLATION  
INSTRUCTIONS**



**DELUXE TUMBLE DRYER**

**TM 200**



## IMPORTANT SAFETY INFORMATION

This information is provided in the interest of safety.  
You must read it carefully before installing or using the appliance.

### Installation

- Any electrical work required to install the appliance must be carried out by a competent qualified person.
- Do not use a two-way adapter or extension lead. The dryer must be connected to its own socket.
- Ensure the appliance does not stand on the electrical supply cable.
- It is dangerous to alter the specifications or modify this product in any way.
- This appliance is designed to be vented through to the open air. It must have its own ventilation system which should not be shared with other appliances ventilation systems for example cooker hood outlets.
- Do not dry items that have been in contact with flammable chemicals such as dry cleaning fluid.
- Never switch the tumble dryer off and leave a hot load in the drum.

### Service

- Do not attempt to repair the appliance yourself. Repairs carried out by inexperienced persons may cause injury or serious malfunction.
- Repairs should be carried out by Tricity Bendix Service Force.

### Child Safety

- Check your drum before use. Pets and children have been known to climb into tumble dryers.
- This appliance should be operated by adults. Do not allow children to tamper with the controls or play with the product.
- Keep children away from the appliance when it is in operation.

### During Use

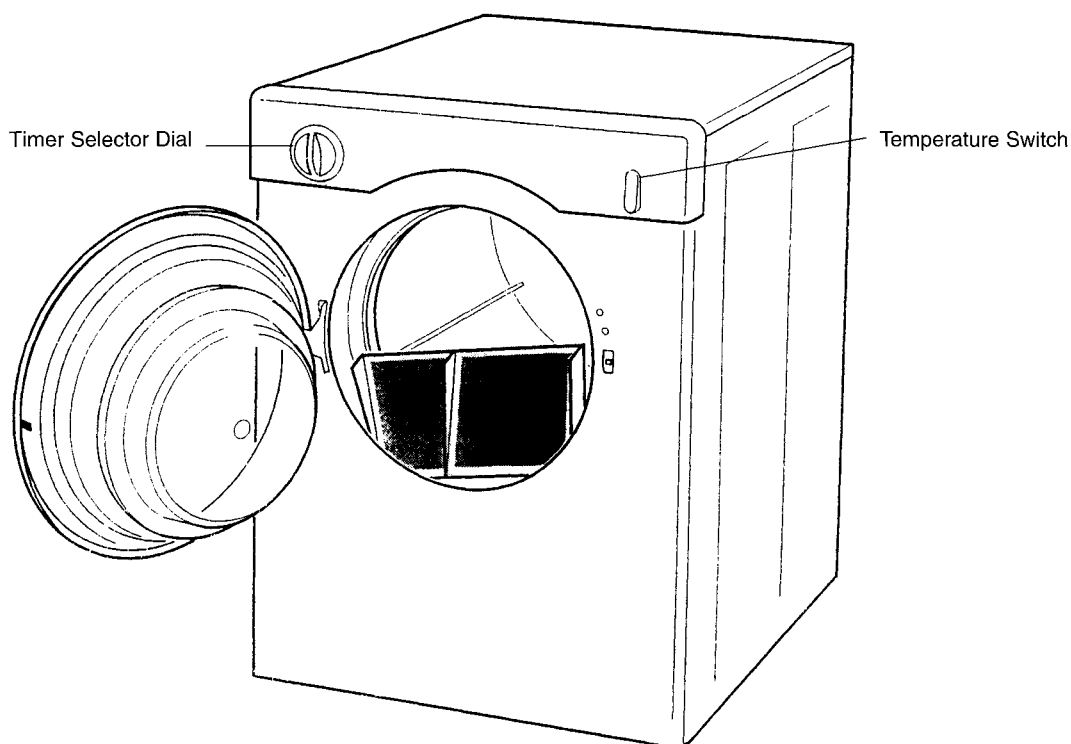
- This tumble dryer is intended for normal domestic use only.
- Clean the lint filter after each drying cycle.
- The appliance should be unplugged after use.
- Do not block the air inlets at the back of your dryer.
- Do not allow fluff to accumulate around the tumble dryer.
- Do not overload the appliance.
- Do not exceed the recommended maximum load.
- Clothes which are dripping wet must not be placed in the dryer. Only load well spun clothes.
- Do not dry items containing foam rubber or rubber like materials.
- Under no circumstances should anything other than articles recommended for tumble drying be placed in the tumble dryer.

**Please read this instruction book before using the appliance, and retain for future reference**

# CONTENTS

<b>FOR THE USER</b>	<b>Page</b>	<b>FOR THE INSTALLER</b>	<b>Page</b>
<b>Important Safety Information</b> .....1		<b>Installation Instructions</b> .....12	
Installation		Technical Information	
Child Safety			
During Use		<b>Electrical Connection</b> .....13	
Service			
<b>Description of the Appliance</b> .....3		<b>Positioning</b> .....14	
Temperature Switch		Site preparation	
Time Selector Dial		Venting	
Programme Chart			
<b>Programme Chart</b> .....4			
<b>Hints &amp; Tips on Drying</b> .....4			
<b>Operating Sequence</b> .....5			
Loading the Laundry			
Selecting the programme			
When drying is complete			
<b>Maintenance and Cleaning</b> .....6			
External Cleaning			
Cleaning the Lint Filter			
<b>Something Not Working</b> .....7			
Symptoms and Solutions			
<b>Service and Spare Parts</b> .....8			
<b>Customer Care</b> .....8			
<b>Guarantee Conditions</b> .....11			
<b>Tricity Bendix Service Centre Addresses</b> .....9&10			

## DESCRIPTION OF THE APPLIANCE



### Temperature Switch

Press the top of the switch for a low temperature setting. Press the bottom of the switch for a high temperature.

Use the high temperature for drying cottons and linens, and the low temperature for drying synthetics and delicates.

### Time Selector Dial

The time selector dial is marked in minutes up to a maximum of 120 minutes.

To select a drying time, turn the dial until the time you require is in line with the marker.

To reduce the drying time turn the dial anti-clockwise until the correct time is reached.

### Programme Guide

This is a guide to help you select the correct temperature and drying time.

## PROGRAMME GUIDE

### Maximum load for Cottons and Linens 3 kg

### Maximum load for Synthetics and Delicates 1 kg

For Synthetics, use a half heat setting for 25 - 45 minutes

For Polyester Cottons, use a half heat setting for 40 - 70 minutes

For Cotton Dry, use a full heat setting for 70 - 100 minutes





For Cotton Damp Dry, use a full heat setting for 55 - 80 minutes

For Linens, use a full heat setting for 70 - 100 minutes

## HINTS & TIPS ON DRYING

Before placing articles of laundry in your tumble dryer, check the care labels to ensure they are recommended for tumble drying.

### Care labels you may find on your laundry

	Suitable for tumble drying
	Tumble dry using full heat
	Tumble dry using half heat
	Do not tumble dry

 **Do not overload the appliance**

Here is a list of the approximate weight of some common laundry items:

Sheet .....	700 to 1000g
Pillowcase .....	100 to 200g
Tablecloth.....	400 to 500g
Table Napkin .....	50 to 100g
Kitchen Towel .....	70 to 120g
Linen Hand Towel .....	100 to 150g
Hand Towel .....	150 to 250g
Bath Towel.....	700 to 1000g
Bathrobe.....	1000 to 1500g
Shirt .....	200 to 300g
Apron .....	150 to 200g

- Always load well spun laundry. The higher the spin speed the lower the electricity consumption and the shorter the drying time.
- DO NOT load dripping wet laundry into the dryer. Roll the article in a towel or spin to remove excess water.
- Close poppers and zips and fasten any buttons.
- Sort the laundry. Separate synthetics from cottons/linens, and dry separately.
- Remove the laundry immediately after the programme has finished.
- Use a fabric conditioning sheet to reduce static. We recommend the sheet is pinned to an article of laundry (using a safety pin).
- Mix the load i.e. large and small articles.
- When drying items such as sheets, we recommend you periodically stop the dryer to redistribute the load.

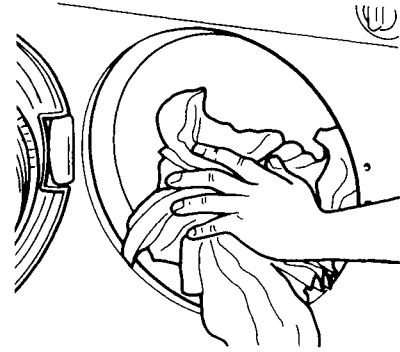
### DO NOT use the tumble dryer to dry the following:

- Articles contaminated with inflammable substances e.g. petrol, cleaning solvents, cooking oil, fats or hair lacquer.
- Woollen and synthetic wool mixtures unless the item is labelled as suitable for tumble drying.
- Very delicate articles such as silk
- Very large and bulky items such as duvets or sleeping bags.

# OPERATING SEQUENCE

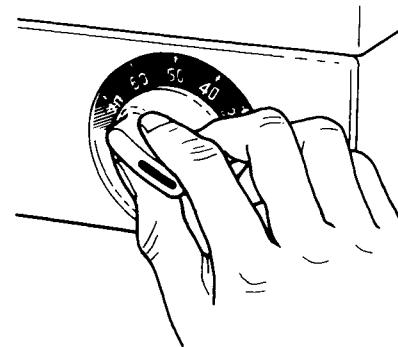
## 1. Loading the laundry

- Open the door by pulling it outwards
- Load the items one at a time, shaking them out loosely.
- Where possible mix the load, i.e. large and small items.
- Close the door.
- Dry your hands and plug in the appliance.



## 2. Selecting the programme

- Select the temperature
  - Select the required drying time
- i** Use the programme guide to help you select the correct drying time and temperature.
- i** The machine will now start working and rotate in an anti-clockwise direction.
- To lengthen or shorten a timed programme, turn the time selector dial clockwise until the correct time is reached, bearing in mind that during the last 12 minutes the dryer carries out the cooling phase.



## 3. When drying is complete

- The machine stops automatically
- Remove the laundry
- Switch off the machine

**i** There is an automatic 12 minute cool down period at the end of every cycle, during which the heater is switched off. This helps to minimise creasing.

**!** *Never switch the dryer off and leave a hot load in the drum.*

*The filter must be cleaned after every drying programme.*

We recommend the machine is disconnected from the electricity supply when not in use.

## MAINTENANCE AND CLEANING

**⚠** *Disconnect the appliance from the electricity supply before carrying out any maintenance or cleaning.*

*Never use abrasive cleaning products or cleaning agents which contain bleach, acetone, alcohol or methylated spirits.*

### External Cleaning

Periodically wipe the outside of the appliance, using only water and a soft cloth. Dry thoroughly.

### Cleaning the Lint Filter

Your dryer will only function well if the filter is clean.

The filter collects fluff which accumulates during drying and it must therefore be removed and cleaned at the end of each programme.

To remove the filter:

- Pull the filter upwards and away from the appliance.
- Remove any threads of fluff by hand or with a soft brush
- Slide the filter back into position.

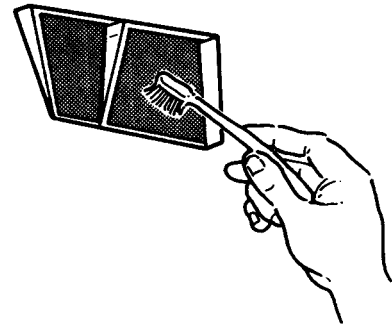
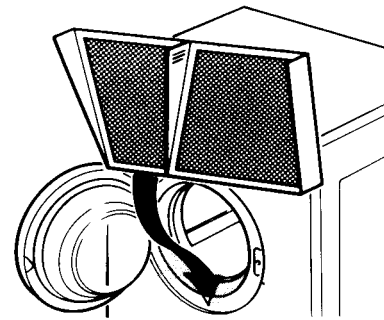
**i** Wash the filter occasionally in detergent solution using a soft brush to remove any small particles.

**⚠** *The lint filter must be cleaned after every drying cycle.*

**⚠** *Keep the air inlets at the front and back of the appliance clear.*

### Cleaning the Door

Wipe the interior part of the door to remove any fluff.



## SOMETHING NOT WORKING

Before contacting your local Tricity Bendix Service Force please carry out the following checks.

SYMPTOM	SOLUTION
◆ The machine does not work	<ul style="list-style-type: none"><li>◆ Check that there is a supply of electricity</li><li>◆ Check the plug fuse</li><li>◆ Check the door is closed</li><li>◆ Check the machine is switched on</li><li>◆ Check the time selector dial is set correctly</li></ul>
◆ The clothes are not dry after normal drying time	<ul style="list-style-type: none"><li>◆ Check you have used the correct temperature setting</li><li>◆ Check the vent hose is not blocked (sometimes a strong wind may cause back pressure)</li><li>◆ Check the timer has not been set within a cool down period</li><li>◆ The heater cut-out has operated. See below</li></ul>

### Heater Cut-Out

This cut-out operates if the airflow is severely restricted.

Before resetting it check:

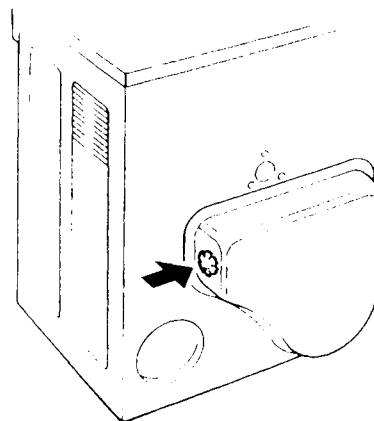
- ◆ The filter is clean.
- ◆ The air inlets at the back are not blocked.
- ◆ The exhaust venting is clear and not kinked.
- ◆ There are no other restrictions.

To reset the cut-out, press the red button at the back of the dryer.

If the cut-out continues to operate after checking the above points you should contact Tricity Bendix Service Force.

If after the above checks there is still a fault, contact your local Tricity Bendix Service Force Centre.

If the tumble dryer does not function correctly after these checks, contact Tricity Bendix Service Force.





In the event of your appliance requiring service, or if you wish to purchase spare parts please contact your local Tricity Bendix Service Force Centre by telephoning:

**0870 5 929929 (UK)**  
**01 409 0770 (EIRE)**

Your telephone call will be automatically transferred to your local Service Centre. The addresses can be found on the pages headed Tricity Bendix Service Force Centres.

When you contact Service Force, they will need to know:

1. Your name, address and post code
2. Your telephone number
3. Clear and concise details of the fault
4. The model and serial number
5. The date of purchase

Before calling out an engineer, please ensure you have read the details under the heading 'Something Not Working'.

**In-guarantee customers should ensure that the checks under the heading 'Something Not Working' have been made as the engineer will make a charge if the fault is not a mechanical or electrical breakdown.**

**Please note that it will be necessary to provide proof of purchase for any in-guarantee service calls.**

All enquiries concerning service should be addressed to your local Service Centre.

## CUSTOMER CARE

For general enquiries concerning your Tricity Bendix appliance or for further information on Tricity Bendix products please contact our Customer Care Department by letter or telephone:

(UK) Customer Care Department  
Tricity Bendix  
55-77 High Street  
Slough  
Berkshire  
SL1 1DZ

Tel: 08705 950 950\*

(EIRE) Customer Care Department  
Tricity Bendix  
Electrolux Group  
Longmile Road  
Junction Naas Road  
Dublin 12

Tel: 01 409 0752

\* calls to this number may be recorded for training purposes.

# Tricity Bendix Service Force

To contact your local Tricity Bendix Service Centre telephone **08705 929 929**

<b>MIDLANDS</b>		<b>LONDON &amp; EAST ANGLIA</b>		<b>SUNBURY (M63)</b>	Unit 1a The Summit Hanworth Road Hanworth Ind. Estate Sunbury on Thames TW16 5D
<b>BIRMINGHAM (M18)</b>	66 Birch Road East Wyrley Road Ind. Estate Witton Birmingham B6 6DB	<b>BECKENHAM (M79)</b>	11a Gardener Ind. Estate Kent House Lane Beckenham Kent BR3 1QZ	<b>SOUTH EAST</b>	
<b>BOURNE (M44)</b>	Manning Road Ind. Estate Pinfold Road Bourne PE10 9HT	<b>CHELMSFORD (M47)</b>	Hanbury Road Widford Ind. Estate Chelmsford Essex CM12 3AE	<b>ASHFORD (M58)</b>	Unit 2 Bridge Road Business Est. Bridge Road Ashford Kent TN2 1BB
<b>BRIDGNORTH (M72)</b>	68 St. Mary's Street Bridgnorth Shropshire WV16 4DR	<b>COLINDALE (M53)</b>	Unit 14 Capitol Park Capitol Way Colindale London NW9 0EQ	<b>FLEET (M59)</b>	Unit 1 Redsfield Ind. Estate Church Crookham Fleet Hampshire GU13 0RD
<b>GLOUCESTER (M23)</b>	101 Rycroft Street Gloucester GL1 4NB	<b>ELTHAM (M78)</b>	194 Court Road Mottingham Eltham London SE9 4EW	<b>HAYWARDS HEATH (M55)</b>	21-25 Bridge Road Haywards Heath Sussex RH16 1UA
<b>HEREFORD (M31)</b>	Unit 3 Bank Buildings Cattle market Hereford HE4 9HX	<b>ENFIELD (M49)</b>	284 Alma Road Enfield London EN3 7BB	<b>SOUTH WEST</b>	
<b>HIGHAM FERRERS (M51)</b>	30 High Street Higham Ferrers Northants NN10 8BB	<b>GRAVESEND (M57)</b>	Unit B4 Imperial Business Estate Gravesend Kent DA11 0DL	<b>BARNSTAPLE (M30)</b>	Main Road Fremington Barnstaple North Devon EX31 2NT
<b>ILKESTON (M43)</b>	Unit 2 Furnace Road Ilkeston DE7 5EP	<b>HARPENDEN (M46)</b>	Unit 4 Riverside Estate Coldharbour Lane Harpenden AL5 4UN	<b>BOURNEMOUTH (M26)</b>	63-65 Curzon Road Bournemouth Dorset BH1 4PW
<b>LEICESTER (M22)</b>	Unit 7 Oaks Ind. Estate Coventry Road Narborough Leicestershire LE0 5GF	<b>LETCHWORTH (M50)</b>	16-17 Woodside Ind. Estate Works Road Letchworth Herts SG6 1LA	<b>BRIDGEWATER (M35)</b>	6 Hamp Ind. Estate Bridgewater Somerset TA6 3NT
<b>LINCOLN (M40)</b>	Unit 8 Stonefield Park Clifton Street Lincoln LN5 8AA	<b>LONDON (M76)</b>	2/4 Royal Lane Yiewsley West Drayton Middlesex UB7 8DL	<b>BRISTOL (M25)</b>	11 Eldon Way Eldonwall Trading Bristol Avon BS4 3QQ
<b>NEWCASTLE UNDER LYME (M12)</b>	18-21 Croft Road Brampton Ind. Estate Newcastle under Lyme Staffordshire ST5 0TW	<b>MAIDENHEAD (M60)</b>	Reform Road Maidenhead Berkshire SL6 8BY	<b>EMSWORTH (M33)</b>	266 Main Road Southbourne Emsworth PO10 8JL
<b>REDDITCH (M20)</b>	13 Thornhill Road North Moons Moat Redditch Worcestershire B98 9ND	<b>MOLESEY (M61)</b>	10 Island Farm Avenue West Molesey Surrey KT8 2UZ	<b>ISLE OF WIGHT (M34)</b>	Unit 8 Enterprise Court Ryde Business Park Ryde Isle of Wight PO33 1DB
<b>TAMWORTH (M19)</b>	Unit 3 Sterling Park Claymore Tamworth B77 5DO	<b>NEWBURY (M24)</b>	9 Pipers Court Berkshire Drive Thatcham Berkshire RG19 4ER	<b>NEWTON ABBOT (M29)</b>	Unit 2 Zealley Ind. Estate Kingsteignton Newton Abbot S. Devon TQ12 3TD
<b>WORCESTER (M73)</b>	Units 1 & 2 Northbrook Close Gregorys Mill Ind. Estate Worcester WR3 8BP	<b>IPSWICH (M48)</b>	Unit 6C Eiton Park Business Centre Hadleigh Road Ipswich IP2 0DD	<b>REDRUTH (M36)</b>	Unit 7D Pool Ind. Estate Wilson Way Redruth Cornwall TR15 3QW
		<b>NORWICH (M52)</b>	2b Trafalgar Street Norwich NR1 3HN		

To contact your local Tricity Bendix Service Centre telephone **08705 929 929**

<b>CHANNEL ISLANDS</b>		<b>ORKNEY</b> (M65) Corsie Domestics 7 King Street Kirkwall Orkney KW15	<b>NORTH EAST</b>
<b>GUERNSEY</b>	Guernsey Electricity PO Box 4 Vale, Guernsey Channel Islands	<b>PERTH</b> Hydro Electrical Inveralmond House Ruthvenfield Road Perth PH1 3AQ	<b>GATESHEAD</b> (M39) Unit 356a Dukesway Court Dukesway Team Valley Gateshead NE11 0BH
<b>JERSEY</b>	Jersey Electricity Company PO Box 45 Queens Road St Helier Jersey Channel Islands JE4 8NY	<b>PERTH</b> (OWN SALES) Graham Begg Unit 4 Airport Ind Estate Wick KW1 4QS	<b>GRIMSBY</b> (M42) 15 Hainton Avenue Grimsby South Humberside DN32 9AS
<b>SCOTLAND</b>		<b>SHETLAND</b> (OWN SALES) Tait Electronic Systems Ltd Holmsgarth Road Lerwick Shetland ZE1 0PW	<b>HULL</b> (M41) Unit 1 Boulevard Industrial Estate Hull HU3 4AY
<b>ABERDEEN</b> (M05)	54 Claremont Street Aberdeen AB10 6RA	<b>SHETLAND</b> (OWN SALES) Boits Shetland Ltd. 26 North Road Lerwick Shetland ZE1 0PE	<b>LEEDS</b> (M37) 64-66 Cross Gates Road Leeds LS15 7NN
<b>AUCHTERMUCHY</b> (M03)	33a Burnside Auchtermuchy Fife KY14 7AJ	<b>WHALSAY</b> (OWN SALES) Leask Electrical Harisdale Symbister, Whalsay Shetland ZE2 9AA	<b>NEWTON AYCLIFFE</b> (M45) Unit 16 Gurney Way Aycliffe Industrial Estate Newton Aycliffe DL5 6UJ
<b>BLANTYRE</b> (M07)	Unit 5 Block 2 Auchenraith Ind. Estate Rosendale Way Blantyre G72 0NJ	<b>NORTHERN IRELAND</b>	
<b>DUMFRIES</b> (M01)	93 Irish Street Dumfries Scotland DG1 2 PQ	<b>BELFAST</b> (M27) Owenmore House Kilwee Business Park Upper Dunmury Lane Belfast BT17 0HD	<b>NORTH WEST</b>
<b>DUNOON</b> (M67)	Brair Hill 7 Hill Street Dunoon Argyll PA23 7AL	<b>WALES</b>	
<b>GLASGOW</b> (M04)	20 Cunningham Road Clyde Estate Rutherglen Glasgow G73 1PP	<b>CARDIFF</b> (M28) Guardian Industrial Estate Clydesmuir Road Tremorfa Cardiff CF2 2QS	<b>BIRKENHEAD</b> (M11) 1 Kelvin Park Dock Road Birkenhead L41 1LT
<b>INVERNESS</b> (M06)	Unit 3B Smithton Ind. Estate Smithton Inverness IV1 AJ	<b>CLYWD</b> (M14) Unit 6-7 Coed - Parc Abergele Road Rhuddlan Clwyd Wales LL18 5UG	<b>CARLISLE</b> (M10) Unit 7 James Street Workshops James Street Carlisle Cumbria CA2 5AH
<b>ISLE OF ARRAN</b> (OWN SALES)	Arran Domestics Unit 4 The Douglas Centre Broddick Isle of Arran KA27 8AJ	<b>DYFED</b> (M77) Maes Y Coed High Mead Llanybydder Carmarthenshire SA40 9UL	<b>ISLE OF MAN</b> (M64) South Quay Ind. Estate Douglas Isle of Man IM1 5AT
<b>ISLE OF BARRA</b> (OWN SALES)	J Zerfah 244 Bruernish Isle of Barra Western Islands HS9 5QY	<b>HAVERFORDWEST</b> (M75) Cromlech Lodge Ambleston Haverfordwest Pembrokeshire SA62 5DS	<b>LIVERPOOL</b> (M15) Unit 1 Honeys Green Precinct Honeys Green Lane Liverpool L12 9JH
<b>ISLES OF BUTE</b>	Walker Engineering Glenmhor Upper Serpentine Road Rothesay Isle of Bute PA20 9EH	<b>OSWESTRY</b> (M17) Plas Ffynnon Warehouse Middleton Road Oswestry SY11 2PP	<b>MANCHESTER</b> (M09) Unit B Central Industrial Estate St Marks Street Bolton BL3 6NR
<b>ISLE OF LEWIS</b>	ND Macleod 16 James Street Stornoway Isle of Lewis PA87 2QW	<b>PRESTON</b> (M13) Unit 250 Dawson Place Walton Summit Bamber Bridge Preston Lancashire PR5 8AL	<b>STOCKPORT</b> (M16) Unit 20 Haigh Park Haigh Avenue Stockport SK4 1QR
<b>KELSO</b> (M08)	2-8 Wood Market Kelso Borders TD5 7AX		

## GUARANTEE CONDITIONS

### Standard guarantee conditions

We, Tricity Bendix, undertake that if within 12 months of the date of the purchase this Tricity Bendix appliance or any part thereof is proved to be defective by reason only of faulty workmanship or materials, we will, at our option repair or replace the same FREE OF CHARGE for labour, materials or carriage on condition that:

- The appliance has been correctly installed and used only on the electricity supply stated on the rating plate.
- The appliance has been used for normal domestic purposes only, and in accordance with the manufacturer's instructions.
- The appliance has not been serviced, maintained repaired, taken apart or tampered with by any person not authorised by us.
- All service work under this guarantee must be undertaken by a Tricity Bendix Service Force Centre.
- Any appliance or defective part replaced shall become the Company's property.
- This guarantee is in addition to your statutory and other legal rights.

Home visits are made between **8.30am** and **5.30pm** Monday to Friday. Visits may be available outside these hours in which case a **premium** will be charged.

### Exclusions

**This guarantee does not cover:**

- Damage or calls resulting from transportation, improper use or neglect, the replacement of any light bulbs or removable parts of glass or plastic
- Costs incurred for calls to put right an appliance which is improperly installed or calls to appliances outside the United Kingdom
- Appliances found to be in use within a commercial environment, plus those which are subject to rental agreements
- Products of Tricity Bendix manufacture which are not marketed by Tricity Bendix

### European Guarantee

If you should move to another country within Europe then your guarantee moves with you to your new home subject to the following qualifications:

- The guarantee starts from the date you first purchased your product
- The guarantee is for the same period and to the same extent for labour and parts as exists in the new country of use for this brand or range of products
- This guarantee relates to you and cannot be transferred to another user
- Your new home is within the European Community (EC) or European Free Trade Area
- The product is installed and used in accordance with our instructions and is only used domestically, i.e. a normal household
- The product is installed taking into account regulations in your new country.

Before you move please contact your nearest Customer Care centre, listed below, to give them details of your new home. They will then ensure that the local Service Organisation is aware of your move and able to look after you and your appliances.

France	Senlis	+33 (0)3 44 62 28 28
Germany	Nuremberg	+49 (0)911 323 2600
Italy	Pordenone	+39 (0)1678 47053
Sweden	Stockholm	+46 (0)20 78 77 50
UK	Slough	+44 (0)1753 219898

# INSTALLATION INSTRUCTIONS

## Technical Information

### Dimensions:

Height	67 cm
Width	50 cm
Depth	53 cm


### Maximum Dry Weight Loads:

Cotton	3 kg
'Easycare' polyester/cotton	3 kg
(for minimum creasing)	1 kg
Delicates	1 kg

### Electrical Ratings

Voltage	220-240v
Frequency	50Hz
Power rating	2040w

## ELECTRICAL CONNECTION

 **Any electrical work required to install this appliance should be carried out by a qualified electrician or competent person.**

### WARNING - THIS APPLIANCE MUST BE EARTHED

Before switching on make sure the electricity supply voltage is the same as that indicated on the appliance rating plate. The rating plate is located on the back panel of your tumble dryer.

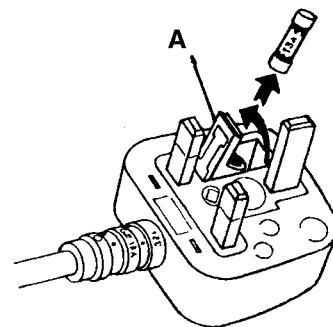
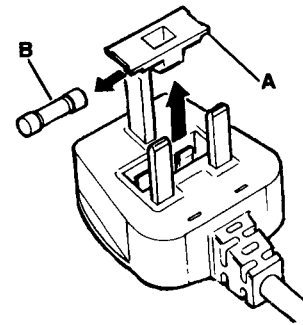
### CHANGING A FUSE

Your tumble dryer will be fitted with one of two plugs. When replacing the fuse, always use ASTA approved 13A fuses to British Standard 1362.

Type 1: Prise out the fuse cover (A) with fuse (B).  
Change the fuse and refit both to the plug.

**Important** - The fuse cover must be refitted when changing a fuse. If the fuse cover is lost, the plug should not be used until a correct replacement is fitted. Replacements are identified by the colour insert or the colour embossed in words on the base of the plug. They are available from most electrical retail shops.


Type 2: Prise up the hinged fuse cover (A) as shown.  
Replace the fuse and press the cover back into place.



### FITTING A REPLACEMENT PLUG


Should the plug need to be replaced for any reason the wires in the mains lead are coloured in accordance with the following code:

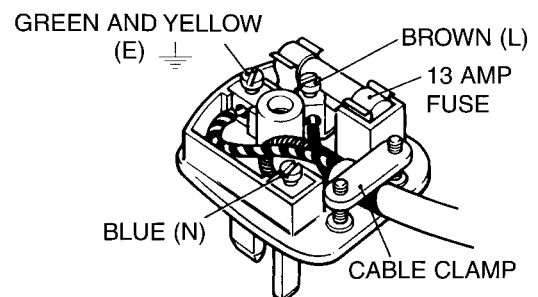
Blue	- Neutral 'N'
Brown	- Live 'L'
Green and Yellow	- Earth 'E'

The **GREEN & YELLOW** wire must be connected to the terminal in the plug which is marked with the letter 'E' or by the earth symbol  or coloured green or green and yellow.

The **BLUE** wire must be connected to the terminal marked with the letter 'N' or coloured black.

The **BROWN** wire must be connected to the terminal that is marked with the letter 'L' or coloured red.

 **A cut off plug inserted into a 13 amp socket is a serious safety (shock) hazard. Ensure that the cut off plug is disposed of safely.**



## POSITIONING

### Site Preparation

- The installation surface must be clean and dry.
- Do not install on a deep pile carpet.
- Do not install the appliance where the temperature may fall below freezing or rise above 35°C.
- Do not use a two way electrical adapter or extension lead. The dryer must be connected to its own socket.
- Please ensure that when the appliance is installed it is easily accessible for the engineer in the event of a breakdown.

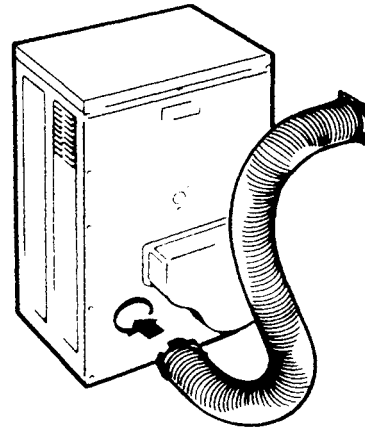
### Venting

Whilst drying, the tumble dryer will expel a certain amount of warm, very moist air, which should be removed from the room as quickly as possible to prevent condensation.

The most effective solution is to make a permanent connection through a wall. A permanent vent kit can be obtained for this purpose.

Alternatively use the vent hose supplied to direct the warm air to an open window or door. (As shown in Fig 1).

**⚠** *The vent must not be connected to any cooker hood ducting, chimney, or fuel pipe designed to carry exhaust from a fuel burning heating appliance.*





Tricity Bendix, 55 - 77 High Street, Slough, Berkshire, SL1 1DZ

**Consumer care telephone number... 08705 950 950 (UK) 0752 01 409 0770 (EIRE)**

MODEL NO.  
TM 200



PART NO.  
4213 094 48994



## Free Manuals Download Website

<http://myh66.com>

<http://usermanuals.us>

<http://www.somanuals.com>

<http://www.4manuals.cc>

<http://www.manual-lib.com>

<http://www.404manual.com>

<http://www.luxmanual.com>

<http://aubethermostatmanual.com>

Golf course search by state

<http://golfingnear.com>

Email search by domain

<http://emailbydomain.com>

Auto manuals search

<http://auto.somanuals.com>

TV manuals search

<http://tv.somanuals.com>