

# TRICITY

## TCM10

### Digital Coffee Machine



Instruction Manual

**Please follow all the precautions listed below for safety and to reduce the risk of fire, injury or electrical shock.**

Read all the instructions carefully before using this appliance and keep them for future reference.

Retain the manual. If you pass the product on to a third party, make sure to include this manual.

Unplug the coffee maker from the mains supply when not in use, or before cleaning any part of the appliance.

This coffee maker is for indoor household use only. Do not use it for professional catering, or outdoors.

Do not immerse the coffee maker base unit or the electrical cord or plug in liquids.

Do not use the coffee maker near a source of heat or in damp or wet conditions or on an unstable surface.

Make sure that the power cord does not touch any hot surface or overhang the edge of your work surface.

When unplugging, hold the plug top, not the power cord.

Do not use attachments or accessories which are not recommended by the manufacturer. They may cause malfunction or injury.

Unauthorised dismantling or servicing will void the warranty. There are no user serviceable parts in this unit.

This appliance is not intended for use by persons (including children) with reduced physical, sensory or mental capabilities, or lack of experience and knowledge, unless they have been given supervision or instruction concerning use of this appliance by a person responsible for their safety.

Children must be supervised to ensure they do not play with this appliance.

Precautions when operating your coffee maker:

The hot plate and the coffee pot become very hot, DANGER OF SCALDING!

Never open the lid of the water tank while coffee is being percolated. DANGER OF SCALDING!

The water tank should be filled only with cold water.

Do not operate with a damaged cord or plug or after the appliance or any attachment has been damaged. If the power cord is damaged it must be replaced by the manufacturer, the nearest service agent or a qualified person.

Do not use the coffee maker for any purpose not expressly specified in this manual. NEVER place foreign objects in any part of the appliance.

NEVER use the coffee maker hotplate to warm drinks such as baby milk, etc.

### **ELECTRICAL INFORMATION**

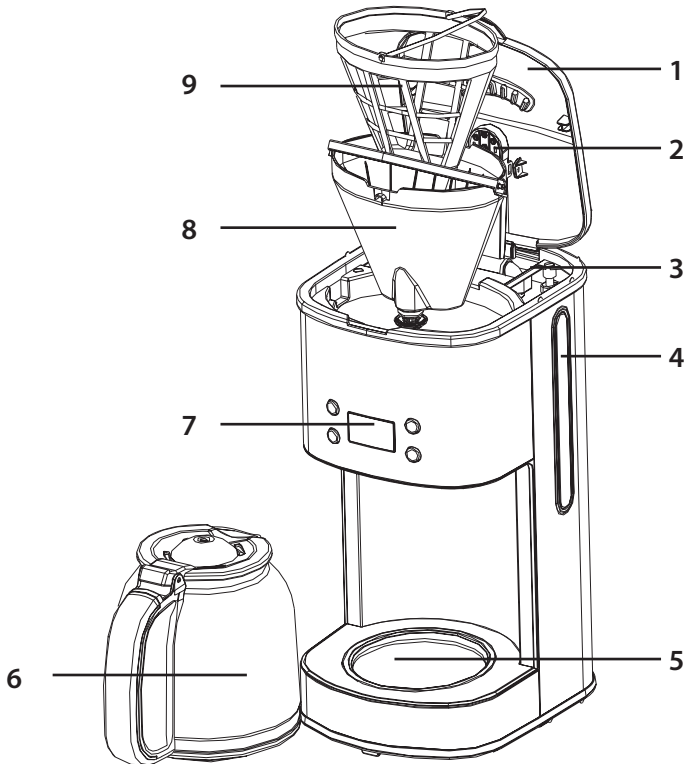
Before using this appliance ensure that the voltage of your electricity supply is the same as that indicated on the rating plate of the appliance.

#### **This appliance must be earthed.**

The means of disconnecting this appliance from the mains supply is the mains plug. This should be unobstructed and readily operable at all times

## Features and Controls

3



- 1: Lid
- 2: Shower Head
- 3: Water Tank
- 4: Water Level Indicator
- 5: Heated Base (Hotplate)
- 6: Coffee Pot
- 7: Control Panel
- 8: Filter Basket
- 9: Filter

### CONTROL PANEL



Know Your Coffe Machine

## UNPACKING

Remove all packaging from the appliance. Retain the packaging. If you dispose of it please do so according to any recycling regulations.

### The packing includes

- The Coffe Machine
- Coffee Pot
- Filter Basket and Plastic Mesh Filter

If items are missing or damaged, contact your nearest Tesco store for assistance.

- Check that the voltage marked on the rating plate at the bottom of the appliance is the same as the voltage in your area.
- Remove the coffee pot, filter holder and filter. Rinse them in cold water and allow to dry. Wipe the body with a barely damp cloth. Reassemble the unit.

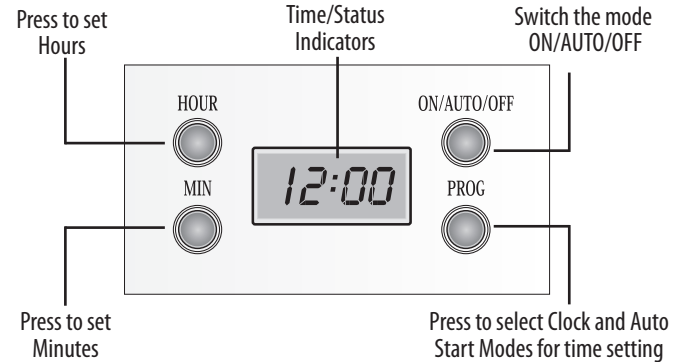
## PLACEMENT

Your Coffee Machine is designed to be permanently connected to the mains supply. Locate the appliance in a secure area where it cannot easily be interfered with and out of the reach of children.

Place the unit on a stable, level dry surface within easy reach of a mains outlet. The mains cord should not be taut.

**This coffee machine is designed to be permanently plugged into the mains. This is to allow the programmed AutoStart feature to operate which requires that the clock time is set. You may prefer to disconnect the apparatus from the mains after use, but you will have to set the time if you wish to use the programmed auto-start feature.**

## GETTING STARTED



Plug the Coffee Maker into the mains point and switch on at the mains point. The screen will light up and the colon will flash:



### Setting the Time

Press the PROG button. The button will light blue and the word CLOCK appears in the display



The clock is a 24 Hr clock. To set 8:30 PM ,enter the time as 20:30.

Press the HOUR button. The button will illuminate  
Press the HOUR button until you reach "20":



Press the MIN button. The button will illuminate  
Press the MIN button until you reach "30":



Press the PROG button twice. The Word CLOCK will erase from the display. After a few seconds the PROG light will extinguish.



The time is now set.

## Operation

### Before using your coffee machine for the first time:

Open the lid. Fill the tank with water up to the MAX (12 cup) level. Use the coffee pot or a measuring jug to accurately pour in the water. Close the lid.

### DO NOT OVERFILL.

Place the pot centrally on the hotplate. Ensure that the hole in the lid of the pot engages with the spring valve in the machine to ensure an even flow of liquid.

Press the **ON/AUTO/OFF** button to start. The Indicator light glows red.

### After all the water has run into the pot:

Press the **ON/AUTO/OFF** button twice. The Indicator flashes a steady Blue. This indicates that the machine has been turned off. After a few seconds the Blue light will extinguish.

Discard the contents of the pot. Allow 5 minutes for the unit to cool down. Carry out two more full operating cycles using fresh cold water to thoroughly clean the machine.

### Points to remember:

Disposable filters if used should be specially made for coffee makers. Use size 4 (10-12 cups).

**Make sure you use coffee specially ground for filter use.**

**NOTE: You do not need to set the time to brew coffee for instant use, but if you do not set the time you will not be able to reliably use the Programmed Auto Start feature**

### PREPARING COFFEE

Place the pot centrally on the hotplate. Ensure that the hole in the lid engages with the spring valve in the machine.

Open the lid of the coffee maker. Remove the filter. Spoon in the required amount of coffee grains into the filter - typically 6-7 g. per cup, or to taste. You may use a disposable filter if you prefer.

The measuring scale on the water tank indicates the number of cups your coffee maker will brew. Fill the water tank with fresh cold water to the level corresponding to the number of cups required. Follow the markings on the side of the water tank or use the coffee pot to measure the water. **DO NOT OVERFILL.**

Insert the filter into the filter compartment. Close the lid.

Press the **ON/AUTO/OFF** button to start the process. The indicator light will glow red and the coffee starts brewing.

**When all the coffee has run into the coffee pot:** Wait for one minute until all the coffee has finished running into the pot. The pot can then be removed.

**If you wish to keep the coffee in the pot warm:** Place the pot on the hotplate. After the brewing cycle has ended the indicator light will glow Red and the hotplate stays on for 2 hours unless you switch it off.

**DO NOT** touch the hotplate for at least 20 minutes after the **ON/AUTO/OFF** light has extinguished.

**If you want to brew more coffee:** Switch the machine off. Allow the machine to cool down before proceeding.

**To stop the brewing cycle at any time:** Press the **ON/AUTO/OFF** button twice. The Indicator flashes a steady Blue. This indicates that the machine has been turned off. After a few seconds the Blue light will extinguish.

## AUTO START (TIME DELAY) BREWING

*Example: To brew coffee at any time of your choosing (say 22:20):*

### 1 Set the Auto Start Time

Press the **PROG** Button twice. The button will light blue and the word **TIMER** appears in the display. The screen defaults to 12:00



Press the **HOUR** button. The button will illuminate

Press the **HOUR** button until you reach "22":



Press the **MIN** button. The button will illuminate

Press the **MIN** button until you reach "20":



Press the **PROG** button ONCE. The word **TIMER** will erase from the display and the display reverts to the clock time.



*After a few seconds the PROG light will extinguish.*

**HINT:** Set the Auto start time to 5 minutes *before* you want the coffee!

### 2 Set the Auto Start Programme

Press the **ON/AUTO/OFF** Button twice. The button will flash blue to indicate the coffee maker is in Auto Start mode.

Fill the coffee maker and place the jug on the hotplate.

When the preset time arrives the machine will switch on and brew the coffee.

During this process the **ON/AUTO/OFF** Button will glow red.

When the coffee is made it will keep warm for 2 hours. The machine will then switch off the power to the hotplate.

**To switch off Auto Start:** Press **ON/AUTO/OFF** Button. The Indicator flashes a steady Blue. This indicates that the machine has been turned off. After a few seconds the Blue light will extinguish.

You can now brew coffee for instant use. The machine will retain the Auto Start time as long as it is connected to the mains supply.

**To restore Auto Start:** Press the **ON/AUTO/OFF** Button twice. The button will flash blue to indicate the coffee maker is in Auto Start mode..

In Auto start mode the time display on the coffee maker is always the clock time.

### 3 To find out the Auto start time:

Press the **PROG** Button twice. The button will flash and the Auto Set time will display for a few seconds after which the light will extinguish and the display will revert to clock time.

## Care, Cleaning and Storage

### AFTER USE

Ensure the coffee maker has completely cooled down.

Wipe the surfaces of the main unit with a **slightly** damp cloth. Never use abrasive cleaner, creams or scourers. Never immerse the appliance in water when cleaning.

Thoroughly rinse the coffee pot and the plastic filter several times in clean water and allow to dry. Avoid strong detergents or solvents which taint the taste of your coffee.

Replace the coffee pot and the filters in their proper places.

### DESCALING

We recommend these descaling periods (depending on use) :

Soft water area                      Every 6 months

Medium hard water area            Every 2-3 months

Hard water area                      Every 6-8 weeks

Fill the water tank with 1 part vinegar to 3 parts cold water.

Place the coffee pot in the coffee maker and press the ON/OFF switch: during cleaning the appliance may produce more steam than normal.

**When the water has reduced to half the original level:**

Switch the unit off. Wait until liquid has stopped dripping into the pot, remove the filter and pot.

Allow the liquid to stand for 15 minutes to cool. then return the pot to the hot plate and replace the filter.

Switch on the coffee maker and this time let all the liquid empty into the pot. After

the dripping has stopped, switch off and discard the contents of the pot.

Allow the appliance to cool for 10 min. Replace the pot. Rinse the unit by brewing several pots of fresh cold water.

Wash the pot and the filter in mild soapy water; rinse thoroughly.

Wipe the exterior with a damp cloth and dry all the parts.

## Warranty

Your Tricity appliance is covered by a warranty for 12 months from the date of purchase. If a fault develops during this period, please return the unit to your nearest Tesco store together with the original receipt as proof of purchase. This warranty in no way affects your consumer rights.

## Specifications

Voltage Rating: 220 -240V AC, 50Hz

Power Consumption: 840 -1000W

Capacity: 1.5 Litres

Net Weight: 2.6 Kg



UK: Waste electrical products should not be disposed of with household waste. Separate disposal facilities exist, for your nearest facilities. See [www.recycle-more.co.uk](http://www.recycle-more.co.uk) or in-store for details.

ROI: Produced after 13th August 2005. Waste electrical products should not be disposed of with household waste. Please recycle where facilities exist. Check with your Local Authority or retailer for recycling advice.

# TRICITY

Tesco Stores Ltd, Delamare Road,  
Cheshunt, Herts, EN8 9SL



## Free Manuals Download Website

<http://myh66.com>

<http://usermanuals.us>

<http://www.somanuals.com>

<http://www.4manuals.cc>

<http://www.manual-lib.com>

<http://www.404manual.com>

<http://www.luxmanual.com>

<http://aubethermostatmanual.com>

Golf course search by state

<http://golfingnear.com>

Email search by domain

<http://emailbydomain.com>

Auto manuals search

<http://auto.somanuals.com>

TV manuals search

<http://tv.somanuals.com>