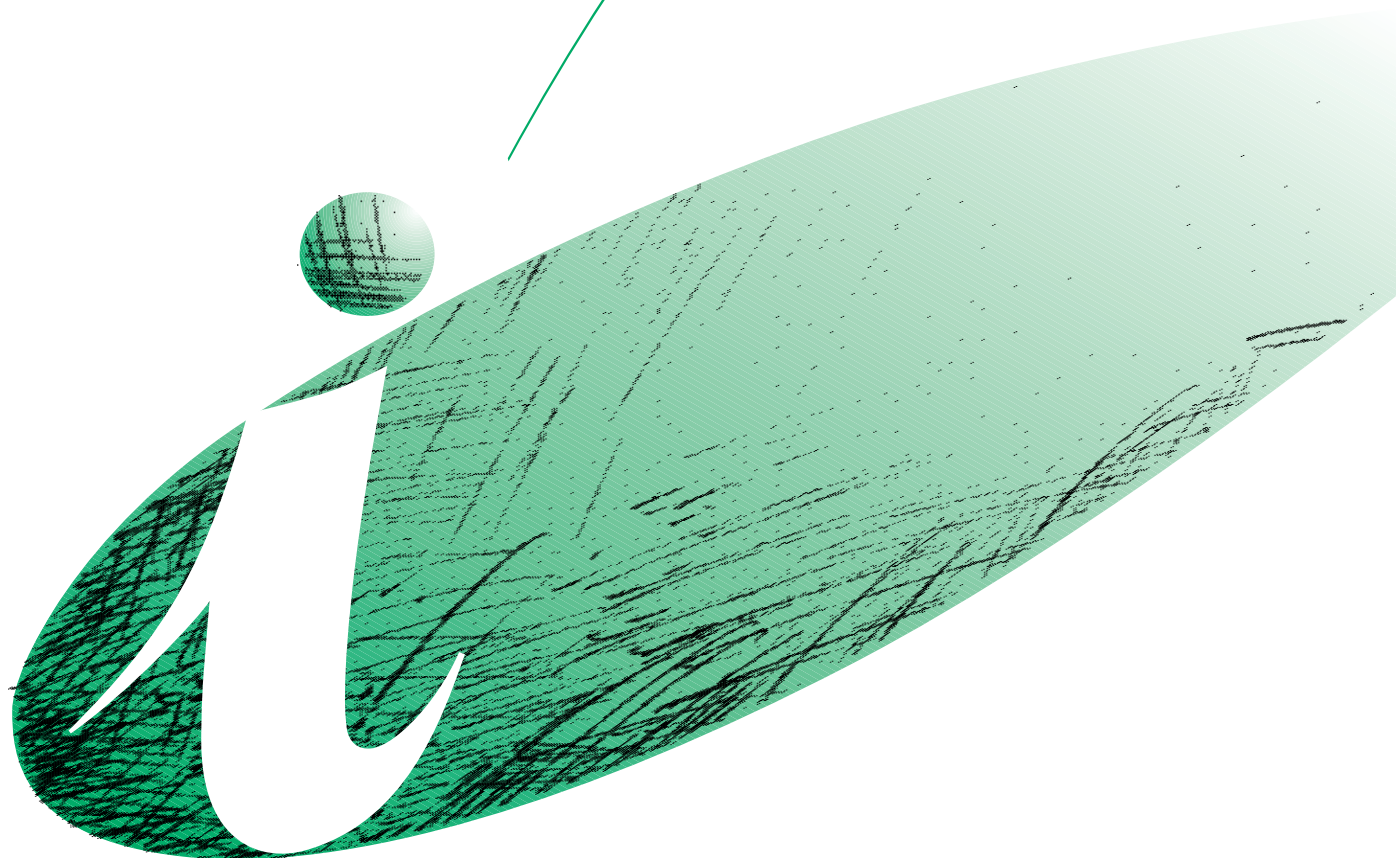


TRICITY BENDIX

INSTRUCTION BOOKLET



ELECTRIC COOKER

CSIE 506 X

Please read this instruction booklet before using the appliance

Important Safety Information



You MUST read these warnings carefully before installing or using the appliance. If you need assistance, contact our Customer Care Department on 08705 950 950

Installation

- This cooker must be installed by qualified personnel, according to the manufacturer's instructions and to the relevant British Standards.
- This cooker is heavy. Take care when moving it.
- Remove all packaging before using the cooker.
- Ensure that the electrical supply complies with the type stated on the rating plate.
- Do not attempt to modify the cooker in any way.

Child Safety

- This cooker is designed to be operated by adults. Do not allow children to play near or with the cooker.
- The cooker gets hot when it is in use. Children should be kept away until it has cooled.
- Children can also injure themselves by pulling pans or pots off the cooker.

During Use

- This cooker is intended for domestic cooking only. It is not designed for commercial or industrial purposes.
- Do not use this cooker if it is in contact with water. Do not operate the cooker with wet hands.
- Ensure the control knobs are in the 'OFF' position when not in use.
- When using other electrical appliances, ensure the cable does not come into contact with the hot surfaces of the cooker.
- Never use the ceramic hob as a working space. Do not store things on the ceramic hob.
- Never use plastic or aluminium foil dishes on the ceramic hob.
- Unstable or misshapen pans should not be used on the ceramic hob as unstable pans can cause an accident by tipping or spillage.
- Do not store flammable materials in the drawer.
- Never leave the cooker unattended when cooking with oil and fats.

- The ceramic hob is shockproof, but not unbreakable! Hard or pointed objects falling from a height can damage the hob. If scratches or cracks are noticed, disconnect the cooker from the electrical supply and call you nearest Tricity Bendix Service Force Centre.
- This cooker should be kept clean at all times. A build-up of fats or foodstuffs could result in a fire.
- Never use plastic dishes in the oven. Never line any part of the oven with aluminium foil.
- Always ensure that the oven vent which is located at the centre back of the hob is left unobstructed to ensure ventilation of the oven cavity.
- Perishable food, plastic items and aerosols may be affected by heat and should not be stored above the cooker.

Service

- This cooker should only be repaired or serviced by an authorised Service Engineer and only genuine approved spare parts should be used.

Environmental Information

- After installation, please dispose of the packaging with due regard to safety and the environment.
- When disposing of an old appliance, make it unusable, by cutting off the cable.

Keep this instruction book for future reference and ensure it is passed on to any new owner.

Contents

For the User

Important Safety Information	2
Description of the Cooker	4
Control Panel	5
The Oven Cavity	5
Accessories	5
Operation	6
Before the First Use of the Cooker	9
Using the Oven	9
Using the Fan Oven	11
Roasting Chart	12
Defrosting	14
Grilling	15
Cleaning the Ceramic Hob	16
Cleaning the Oven	17
Something Not Working	19
Service and Spare Parts	20
Guarantee Conditions	20

For the Installer

Instructions for the Installer	24
Important Safety Requirements	24
Electrical connections	25

Guide to Use the instructions

The following symbols will be found in the text to guide you throughout the Instructions:



Safety Instructions



Step by step instructions for an operation



Hints and Tips

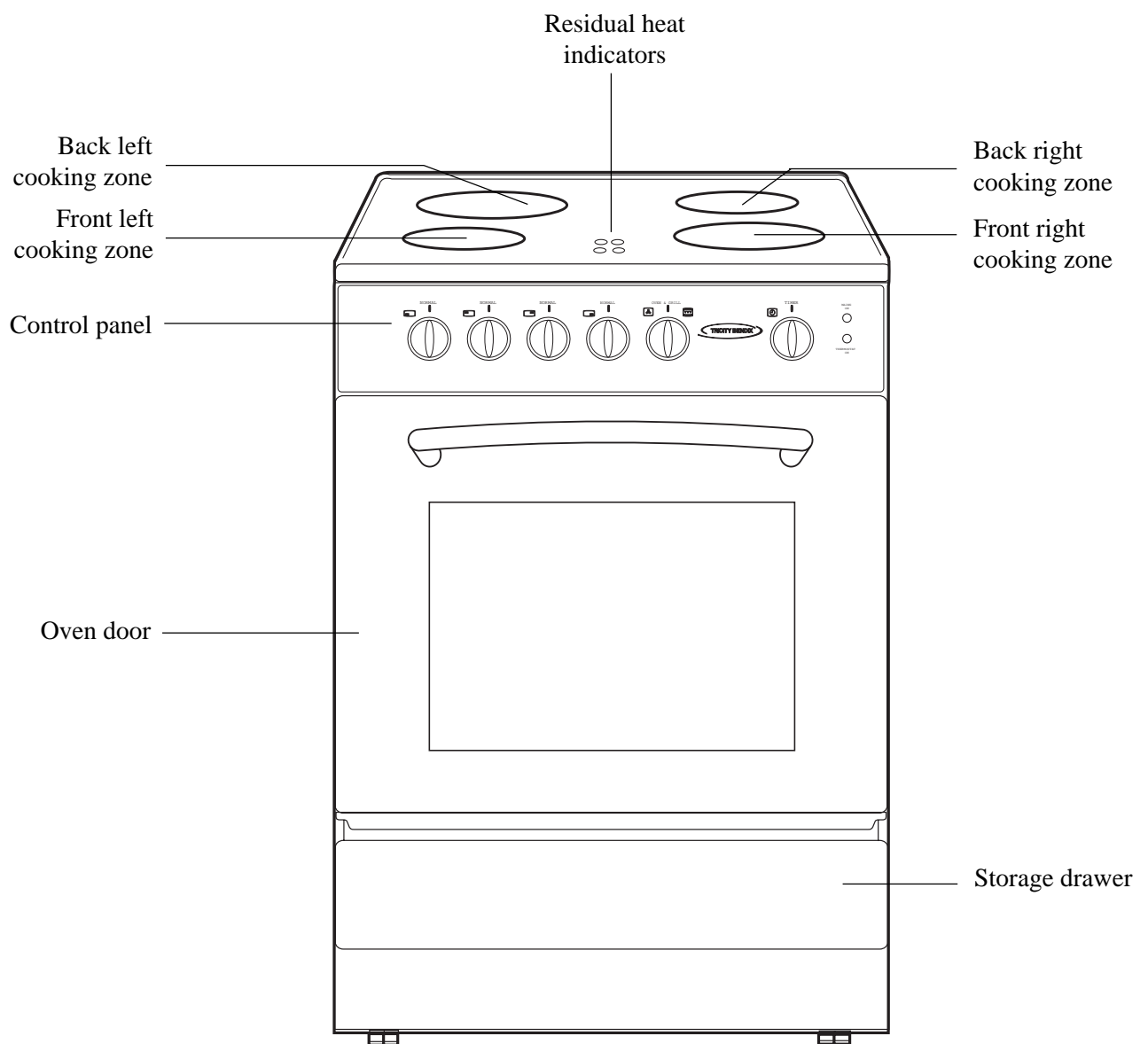


This appliance is manufactured according to the following EEC directives:
73/23 EEC - 90/683 EEC - 93/68 EEC -
89/336 EEC current edition.

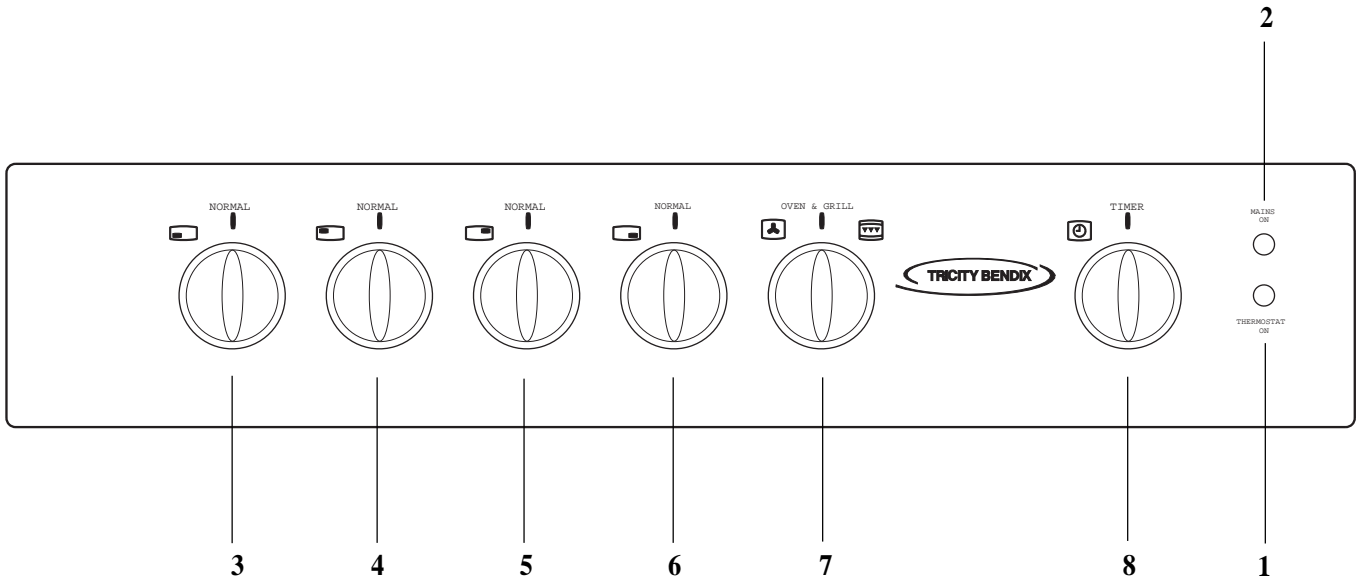
Oven Door Protection Device

All our appliances comply with the European safety standards. Nevertheless, in order to ensure the highest safety level, and avoid small children to be exposed to the heat when the appliance is operated, it is possible to fit a special protection device to the oven door. This device can be purchased in our Service Force Centres, specifying the relevant code (35791) and the Product No. shown on the rating plate.

Description of the Cooker

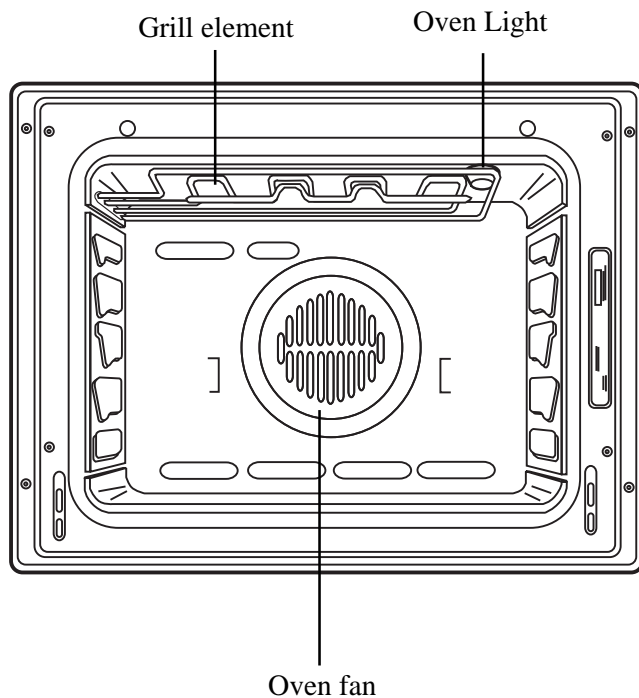


Control Panel

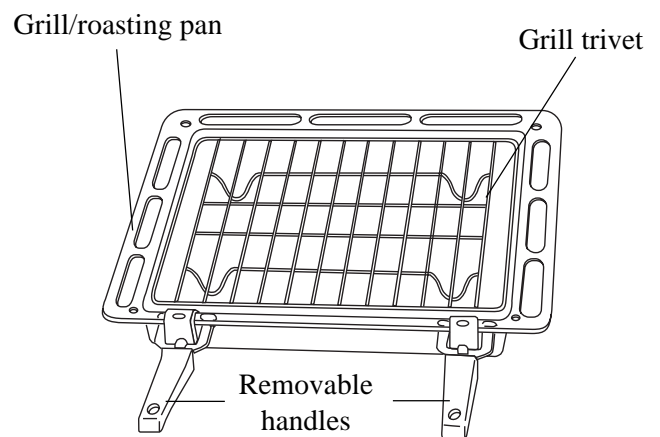


1. Oven Thermostat Pilot Light
2. Cooker Operation Pilot Light
3. Front left cooking zone control knob
4. Back left cooking zone control knob
5. Back right cooking zone control knob
6. Front right cooking zone control knob
7. Oven function control knob
8. Minute minder

The Oven Cavity



Accessories



Operation

Ceramic hob cooking zones

To switch on a cooking zone, turn the relevant control knob to the required heat setting.

The control knob is numbered 0 - 6

0 - OFF

6 - Maximum.

We recommend the plates are switched to maximum (6) for a short while to boost the cooking zone, and then adjusted to the required setting.

Residual heat indicators

The hob is fitted with four residual heat indicators corresponding to each cooking zone.

The corresponding indicator will remain on until the temperature falls below 30° C, even after the cooking zone is switched off.



When switching on a cooking zone, a short buzzing may be heard. This is quite normal and does not affect the hob operation in any way.



If scratches or cracks are noticed, disconnect the cooker from the electrical supply and call you nearest Tricity Bendix Service Force Centre.

Keep all objects and materials which can melt away from the cooking surface, e.g. plastics, aluminium foil.

Care should be taken when preparing food or drinks containing sugar. If anything of this nature accidentally comes into contact with the ceramic surface it must be scraped off immediately while still hot and wiped away to avoid damage to the surface.

Suggestions for the correct setting of the cooking zones are given in the following table.

OFF	0	
Very Gentle	1	To keep food warm To melt butter and chocolate
Gentle	2	To prepare cream-sauces, stews and milk puddings or to fry eggs
Slow	3	Dried vegetables, frozen food, fruit, boiling water or milk
Medium	4	Boiled potatoes, fresh vegetables, pâtés, soups, broths, pancakes or fish
High	5	Larger stews, meat roll, fish, omelettes, steaks
Fast	6	Steaks, escalopes and frying.

i Energy consumption

To save energy, you should . .

- use only cooking and frying utensils with smooth, flat bottoms.
- place pots and pans in position before switching on the cooking zone.
- wherever possible, cover pots and pans with a lid.
- switch off the cooking zone a few minutes before the end of the cooking time, in order to make use of the residual heat.
- use the residual heat of the cooking zones for keeping food warm or for melting.
- position pots and pans centrally on the cooking zones.

i Saucepans and frying pans

Saucepans and frying pans should not be smaller than the cooking zone, and preferably not more than 10-15 mm larger than the diameter of the cooking zone.

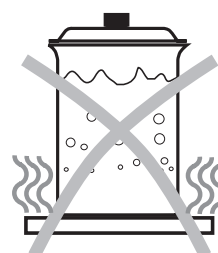
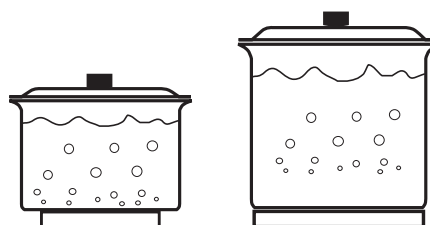
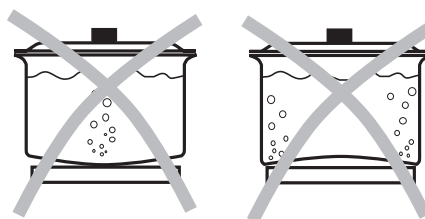
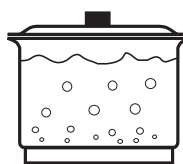
Always use cooking and frying utensils with smooth, flat bottoms.

The bottoms should always be clean and dry. Cook with a lid in place.

Check that the bases of utensils are smooth and undamaged; bases with burrs and sharp edges will scratch the ceramic glass surface.

To avoid scratching or damaging the ceramic cooking surface, pots and pans should be moved on the plate by lifting them, and not by sliding.

Utensils with aluminium and copper bases can leave behind metallic discolorations which can only be removed with difficulty or sometimes not at all.



Electric Oven

Oven Function Control Knob



Oven switched off



Oven Light - The oven light will be on without any cooking function



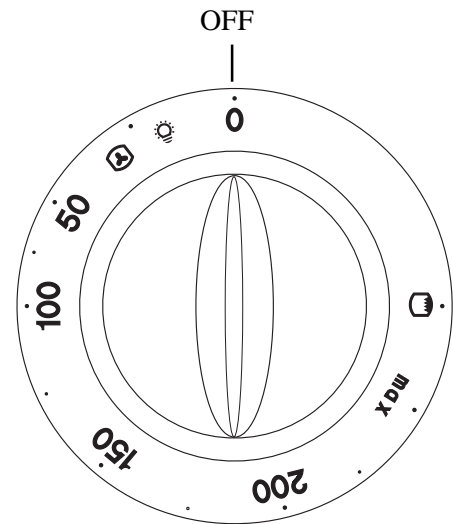
Fan cooking - This allows you to roast or roast and bake simultaneously using any shelf, without flavour transference.

50-max

Range of temperature regulation for Fan cooking



Grill - The heat comes only from the top element.

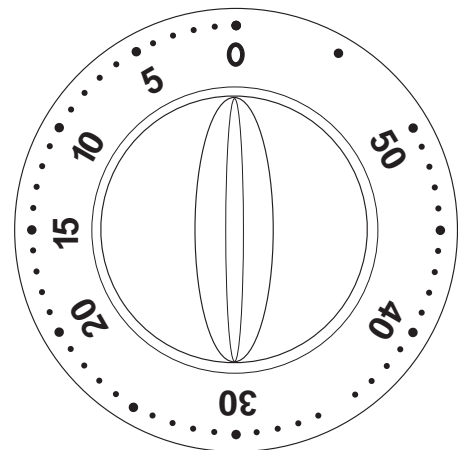


Minute minder

The minute minder will mark the end of a timed period with an acoustic alarm. The maximum timing is 60 minutes.

Turn the Minute Minder knob clockwise to the maximum time position, then turn it back to the required time.

The Minute minder will not affect the oven operation in any way, if it is in use.



Before the First Use of the Cooker




Remove **all packaging**, both inside and outside the oven, before using the oven.

Before first use, the oven should be heated without food. During this time, an unpleasant odour may be emitted. This is quite normal.



1. Set the oven function control knob to MAX.
2. Open a window for ventilation.
3. Allow the oven to run empty for approximately 45 minutes.

This procedure should be repeated with the grill  function for approximately 5-10 minutes.

Using the ceramic hob for the first time

The cooking surface should be cleaned before use to remove any traces of the production process.



Wipe the ceramic surface and frame with a damp cloth using warm water to which a little washing up liquid has been added, and wipe dry.

Heating up for the first time



To check the cooking zones, briefly switch each one on.

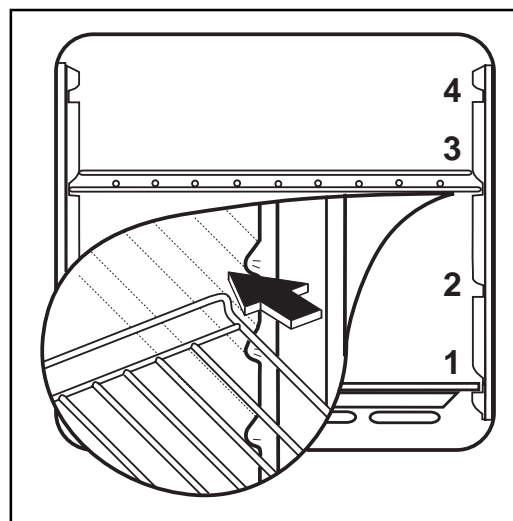
Using the Oven



- Always cook with the oven door closed.
- Stand clear when opening the drop down oven door. Do not allow it to fall open - support the door using the door handle, until it is fully open.



- The oven has four shelf levels, and is supplied with two shelves. The shelf positions are counted from the bottom of the oven as shown in the diagram. It is important that these shelves are correctly positioned as shown in the diagram.
- Do not place cookware directly on the oven base.



Hints and Tips

Condensation and steam

When food is heated it produces steam in the same way as a boiling kettle. The oven vents allow some of this steam to escape. However, **always stand back from the oven when opening the oven door** to allow any build up of steam or heat to release.

If the steam comes into contact with a cool surface on the outside of the oven, e.g. a trim, it will condense and produce water droplets. This is quite normal and is not a fault with the oven.

To prevent discoloration, regularly wipe away condensation and also soilage from surfaces.

Cookware

- Use any oven proof cookware which will withstand temperatures of 250°C.
- Baking trays, oven dishes, etc. should not be placed directly against the grid covering the fan at the back of the oven, or placed on the oven base.
- Do not use baking trays larger than 30 cm x 35 cm (12 in x 14 in) as they will restrict the circulation of heat and may affect performance.

The effects of dishes on cooking results

Dishes and tins vary in their thickness, conductivity, colour, etc. which affects the way they transmit heat to the food inside them.

- A** Aluminium, earthenware, oven glassware and bright shiny utensils reduce cooking and underneath browning.
- B** Enamelled cast iron, anodized aluminium, aluminium with non-stick interior and coloured exterior and dark, heavy utensils increase cooking and underneath browning.

Storage Drawer

The storage drawer is located underneath the oven cavity.



During cooking the storage drawer may become hot if the oven is on high for a long period of time, therefore flammable materials such as oven gloves, tea towels, plastic aprons etc. should not be stored in the drawer.

Oven accessories such as baking sheets, will also become hot, therefore care should be taken when removing these items from the drawer whilst the oven is in use or still hot.

Using the Fan Oven



The air inside the oven is heated by the element around the fan situated behind the back panel. The fan circulates hot air to maintain an even temperature inside the oven.

The advantages of cooking with this function are:

✓ **Faster Preheating**

As the fan oven quickly reaches temperature, it is not usually necessary to preheat the oven although you may find that you need to allow an extra 5-7 minutes on cooking times. For recipes which require higher temperatures, best results are achieved if the oven is preheated first, e.g. bread, pastries, scones, souffles, etc.

✓ **Lower Temperatures**

Fan oven cooking generally requires lower temperatures than conventional cooking.

Follow the temperatures recommended in the cooking chart. Remember to reduce temperatures by about 20-25°C for your own recipes which use conventional cooking.

✓ **Even Heating for Baking**

The fan oven has uniform heating on all runner positions. This means that batches of the same food can be cooked in the oven at the same time. However, the top shelf may brown slightly quicker than the lower one.

This is quite usual. There is no mixing of flavours between dishes.

How to Use the Fan Oven

Turn the oven function control knob to the required temperature.

THINGS TO NOTE

- The oven light will come on when the oven function control knob is set.
- The thermostat control light will remain on until the correct temperature is reached. It will then cycle on and off to show that temperature is being maintained.

Cooking Chart

This chart is intended as a guide only. It may be necessary to increase or decrease the temperature to suit your individual requirements. Only experience will enable you to determine the correct setting for your personal requirements.

Food		Thermostat	Runner Position	Time
Biscuits, cookies	2 trays	160-180	1-3	18-25 min.
Bread, yeast doughs	2 trays	170-200	1-3	35-45 min.
Cakes, Victoria sandwich	2 trays	160-170	1-3	20-28 min.
Choux pastry, eclairs	2 trays	170-200	1-3	30-35 min.
Fruit pies, plate tarts, crumbles	2 trays	170-200	1-3	50-65 min.
Meringues	2 trays	70-90	1-3	90-150 min.
Puff pastry, vol au vents	2 trays	200-230	1-3	20-35 min.
Scones	2 trays	200-210	1-3	8-12 min.

Roasting Chart

When roasting, ensure the meat is cooked thoroughly, use a meat thermometer if preferred to check the centre temperature has reached the required temperature (see table below).

Meat	Thermostat	Cooking
Beef	170°-180°C	20-30 min per 1/2 kg (1 lb) and 20-30 min over
Lamb	170°-180°C	25-35 min per 1/2 kg (1 lb) and 25-35 min over
Pork	170°-180°C	25-35 min per 1/2 kg (1 lb) and 25-35 min over
Chicken	170°-180°C	15-20 min per 1/2 kg (1 lb) and 20 min over
Turkey and goose	170°-180°C	15-20 min per 1/2 kg (1 lb) up to 3 1/2 kg (7 lb) then 15 min per 1/2 kg (1 lb)
Duck	170°-180°C	25-35 min per 1/2 kg (1 lb) and 25-35 min over
Pheasant	170°-180°C	35-40 min per 1/2 kg (1 lb) and 35-40 min over
Rabbit	170°-180°C	20 min per 1/2 kg (1 lb) and 20 min over

i Hints and Tips

Runner positions are not critical, but make sure the shelves are evenly spread.

When cooking more than one dish in the fan oven, place dishes centrally on the shelves rather than several dishes on one shelf.

When the oven is full, you may need to allow slightly longer cooking time.

A shelf may be placed on the floor of the oven. Place dishes on a shelf in this position rather than on the oven base, to allow air circulation around the food.

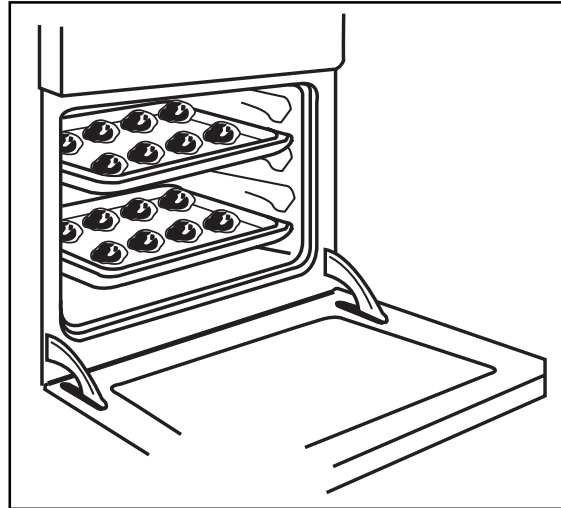
When the oven is full of the same food, e.g. equal trays of small cakes or equal size victoria sandwich cakes, then they will be cooked in the same time and removed from the oven together. When different sizes of trays or types of food, e.g. biscuits and cakes are cooked, they will not necessarily be ready together.

The fan oven can be used to heat foods through without thawing first, e.g. fruit tarts, mince pies, sausage rolls, and other small pastry items. Use a temperature of 190-200°C and allow 20-40 minutes (depending on the quantity of food in the oven).

The use of too high temperatures can cause uneven browning. Check with the recommendations for oven temperatures given in the cooking charts, but be prepared to adjust the temperature by 10°C if necessary. Remember to reduce temperatures by about 20-25°C for your own conventional recipes.

When roasting do use the trivet in the meat tin. Fat and meat juices will drain into the meat tin below and can be used to make gravy. The trivet also prevents splashes of fat from soiling the oven interior.

The meat tin **should not** be placed on a heated hotplate or burner as this may cause the enamel to crack.




Defrosting

The oven fan operates without heat and circulates the air, at room temperature, inside the oven. This increases the speed of defrosting. However, please note that the temperature of the kitchen will influence the speed of defrosting.

This function is particularly suitable for delicate food which could be damaged by heat, e.g. cream filled gateaux, iced cakes, pastries, bread and other yeast products.



How to Use Defrosting

Turn the oven function control knob to .

Hints and Tips

- Cover food with a lid, aluminium foil or plastic film to prevent drying out during defrosting.
- **ALWAYS COOK THOROUGHLY IMMEDIATELY AFTER THAWING.**
- Frozen food should be placed in a single layer when ever possible and turned over half way through the defrosting process.
- Only joints of meat and poultry up to 2 kg. (4 lb.) are suitable for defrosting in this way.

Refer to the following table for approximate defrosting times.

Food	Defrosting time (Mins)	Standing time (Mins)	Notes
Chicken 1000 g.	100-140	20-30	Place the chicken on an inverted saucer on a large plate. Defrost open and turn at half time or defrost covered with foil. Remove giblets as soon as possible.
Meat 1000 g.	100-140	20-30	Defrost open and turn at half time or cover with foil
Meat 500 g.	90-120	20-30	As above
Trout 150 g.	23-35	10-15	Defrost open
Strawberries 300 g.	30-40	10-20	Defrost open
Butter 250 g.	30-40	10-15	Defrost open
Cream 2 x 200 g.	80-100	10-15	Defrost open (cream is easy to whip even if parts of it are still slightly frozen)
Cake 1400 g.	60	60	Defrost open


The times quoted in the chart should be used as a guide only, as the speed of defrosting will depend on the kitchen temperature. For example, the colder the ambient temperature, the longer the defrosting time.

Grilling



Grilling must be carried out with the oven door closed. The grill pan handles must be removed from the pan.

How to Use the Grill

1. Turn the oven control function knob to .
2. Adjust the grid and grill pan runner position to allow for different thicknesses of food. Position the food close to the element for faster cooking and further away for more gentle cooking.

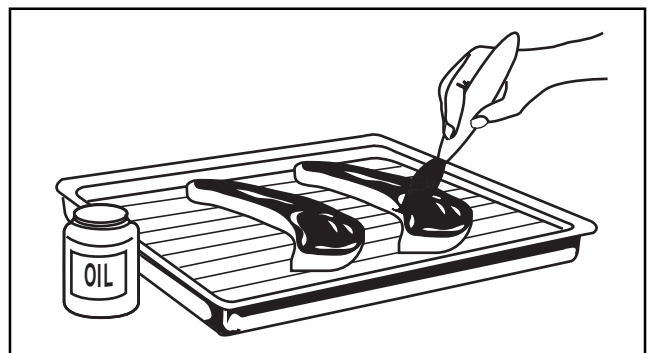
Preheat the grill on a full setting for a few minutes before sealing steaks or toasting. Adjust the shelf level as necessary, during cooking.

During cooking, the thermostat control light will operate in the same way as described for the fan oven function.

Hints and Tips

- Most foods should be placed on the grid in the grill pan to allow maximum circulation of air to lift the food out of the fats and juices. Food such as fish, liver and kidneys may be placed directly on the grill pan, if preferred
- Food should be thoroughly dried before grilling to minimise splashing. Brush lean meats and fish lightly with a little oil or melted butter to keep them moist during cooking
- Accompaniments such as tomatoes and mushrooms may be placed underneath the grid when grilling meats
- When toasting bread, we suggest that the top runner position is used.
- The food should be turned over during cooking, as required.

Food	Grill Time (Min)
Bacon rashers	2-3 each side
Beefburgers	6-10 each side
Chicken joints	10-15 each side
Chops: lamb pork	7-10 each side 10-15 each side
Fish: whole trout/herring fillets plaice/cod	8-12 each side 4-6 each side
Kebabs	10-15 each side
Kidneys: lamb/pig	4-6 each side
Liver: lamb/pig	5-10 each side
Sausages	10-15 turn as required
Steaks: rare medium well	3-6 each side 6-8 each side 7-10 each side
Browning only	3-5

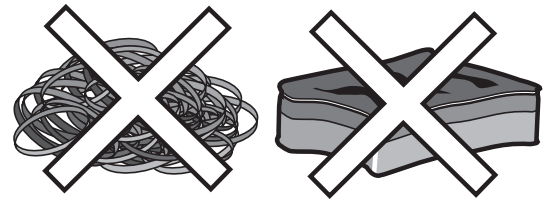


Cleaning the Ceramic Hob



Before any maintenance or cleaning can be carried out, you must **DISCONNECT** the cooker from the electricity supply.

Before cleaning, make sure the hob is cool. Never use aggressive or abrasive agents, such as oven sprays, stain or rust removers, scouring powders, or sponges with an abrasive effect. Special cleaning agents such as Vitroclen and ceramic hob scrapers are available from department stores.



Cleaning after each use

Slight, non-burnt soilage can be wiped off with a damp cloth. Burnt soilage has to be removed with a scraper. Afterwards wipe off the ceramic hob with a damp cloth, and Vitroclen.

Stain removal

Light metallic stains (aluminium residues) can be removed from the cooking zone with a ceramic hob cleaning agent such as Vitroclen when cool. Sugar solutions, food stuffs with a high sugar content must be removed immediately with a scraper. If this type of soilage is not removed immediately it can cause irreparable damage to the ceramic surface. When the surface has cooled wipe over with a damp cloth and Vitroclen. Before using any detergent or cleaning agent on the ceramic top, ensure they are recommended by the manufacturer for use on ceramic hobs. Do not apply any cleaning agents to hot cooking zones. Ensure any residues are wiped off before the cooking zones are used again.

Special problems

...If a chemical cleaner proves inadequate	Check whether the use of a scraper is more effective.
...when dark stains occur	If the use of a scraper and a ceramic hob cleaner proves unsuccessful, your hob surface may have been damaged by using unsuitable cleaning agents, or by pan bases with a scouring effect. This will not impair the efficiency of your ceramic hob.
...when metallic discolourations appear on the cooking zone	Pots and pans with unsuitable bottoms, or unsuitable cleaning agents have been used. The discolourations can only be removed with considerable effort, using a ceramic glass cleaner.
...when the surface shows scratches	These may be caused by scraping or melted on objects and cannot be removed. This will not impair the efficiency of your ceramic hob

Cleaning the Oven



Before cleaning always allow the cooling fan to cool the oven down before switching off at the electricity supply.

The oven should be kept clean at all times. A build-up of fats or other foodstuffs could result in a fire, especially in the grill pan.

Cleaning materials

Before using any cleaning materials on your oven, check that they are suitable and that their use is recommended by the manufacturer.

Cleaners that contain bleach should NOT be used as they may dull the surface finishes. Harsh abrasives should also be avoided.

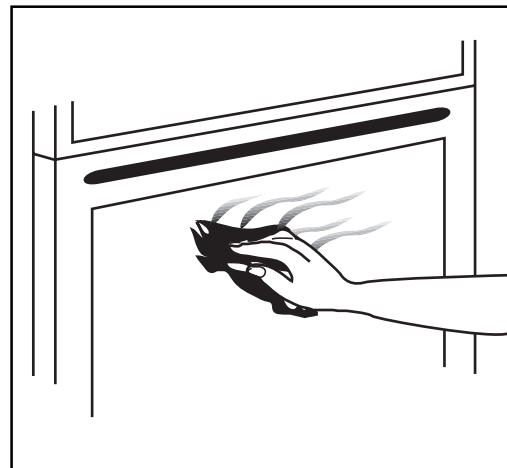
External cleaning

Regularly wipe over the control panel, oven door and door seal using a soft cloth well wrung out in warm water to which a little washing up liquid has been added.



To prevent damaging or weakening the door glass panels avoid the use of the following:

- Household detergent and bleaches
- Impregnated pads unsuitable for non-stick saucepans
- Brillo/Ajax pads or steel wool pads
- Chemical oven pads or aerosols
- Rust removers
- Bath/Sink stain removers



Clean the outer and inner door glass using warm soapy water. Should the inner door glass become heavily soiled it is recommended that a cleaning product such as Hob Brite is used.



DO NOT clean the oven door while the glass panels are warm. If this precaution is not observed the glass panel may shatter.


If the door glass panel becomes chipped or has deep scratches, the glass will be weakened and must be replaced to prevent the possibility of the panel shattering. Contact your local Service Centre who will be pleased to advise further.

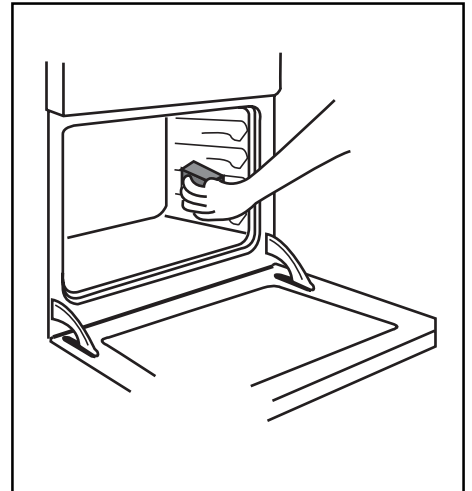
Oven Cavity

The enamelled oven cavity is best cleaned whilst the oven is still warm.

Wipe the oven over with a soft cloth soaked in warm soapy water after each use. From time to time it will be necessary to do a more thorough cleaning, using a proprietary oven cleaner.

If the soilage has become set, after the oven has cooled down, the following process will help to soften the splatters to help make cleaning easier.

-  1. Place the grill/ meat pan on the oven shelf positioned in the lowest runner.
2. Add a few drops of washing-up liquid to the pan and fill to about 12 mm. with boiling water from the kettle.
3. Close the oven door and set the oven function knob on 50°C.
4. After 15 minutes, turn off the knob and allow the fan oven to continue without heat for a further 5 minutes, when the temperature of the water will have cooled down.
5. Carefully remove the pan of water from the oven and use normal oven cleaners to clean away soil residues.
6. Leave a little of the soapy water to soak into any burned on spillage on the floor of the oven for a longer time if necessary.



Oven Shelves

To clean the oven shelves, soak in warm soapy water and remove stubborn marks with a well wetted soap impregnated pad. Rinse well and dry with a soft cloth.

Oven lamp replacement



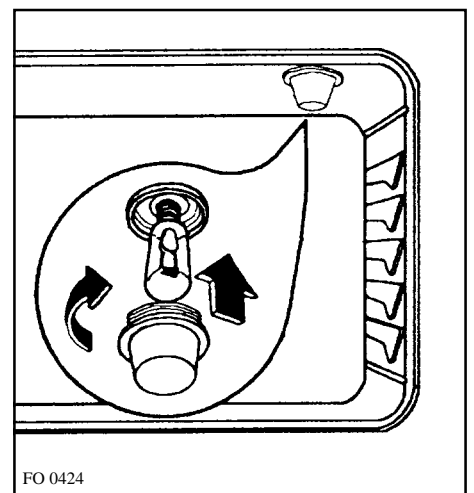
Disconnect the appliance.

Unscrew the lamp and substitute it with another suitable for higher temperature (300°C) having the following specifications:

Rating: 230-240V (50Hz)

Power: 15W

Connection: E14



Something Not Working

If the appliance is not working correctly, please carry out the following checks before contacting your local Service Force Centre.

IMPORTANT: if you call an engineer to a fault listed below, or to repair a fault caused by incorrect use or installation, a charge will be made even if the appliance is in guarantee.

SYMPTOM	SOLUTION
<ul style="list-style-type: none"> ■ The cooker does not operate. 	<ul style="list-style-type: none"> ◆ Check that the unit is plugged in and the electrical supply is switched on ◆ Check that the RCCB has not tripped (if fitted) ◆ Check the mains fuse has not blown ◆ Check the correct control knob has been turned.
<ul style="list-style-type: none"> ■ The ceramic hob is not giving satisfactory results 	<ul style="list-style-type: none"> ◆ Check the cooking pan is the correct size for the cooking zone. ◆ Check the cooking pan has a flat base. ◆ Check the setting is correct for the type of cooking.
<ul style="list-style-type: none"> ■ The oven does not come on 	<ul style="list-style-type: none"> ◆ Check a cooking function / temperature has been selected. ◆ The socket switch or the switch from the mains supply to the oven are ON.
<ul style="list-style-type: none"> ■ The thermostat pilot light does not come on 	<ul style="list-style-type: none"> ◆ Select a temperature with the oven function control knob.
<ul style="list-style-type: none"> ■ The oven light does not come on 	<ul style="list-style-type: none"> ◆ Select a function with the oven function control knob ◆ Check the light bulb, and replace it if necessary (see "Replacing the Oven Light")
<ul style="list-style-type: none"> ■ It takes too long to finish the dishes, or they are cooked too fast. 	<ul style="list-style-type: none"> ◆ The temperature may need adjusting
<ul style="list-style-type: none"> ■ Steam and condensation settle on the food and the oven cavity. 	<ul style="list-style-type: none"> ◆ Refer to the contents of this booklet, especially to the chapter "Using the Oven". ◆ Leave dishes inside the oven no longer than 15-20 minutes after the cooking is completed.
<ul style="list-style-type: none"> ■ The timer does not work 	<ul style="list-style-type: none"> ◆ Check the instructions for the timer.
<ul style="list-style-type: none"> ■ The oven fan is noisy 	<ul style="list-style-type: none"> ◆ Check that shelves and bakeware are not vibrating in contact with the oven back panel.

If after all these checks, the oven still does not work, contact your local Service Force Centre quoting your model and serial number, which can be found on the rating plate.

Please note that it will be necessary to provide proof of purchase for any in-guarantee service calls.

In-guarantee customers should ensure that the above checks have been made as the engineer will make a charge if the fault is not a mechanical or electrical breakdown.

Service and Spare Parts

If you require spare parts or an engineer contact your local Service Force Centre by telephoning:

08705 - 929 929

Your call will be routed to the Service Centre covering your post code area. The addresses of Tricity Bendix Service Force Centres are detailed on the following pages.

When you contact the Service Centre, they will need the following information:

1. Your name, address and post code.
2. Your telephone number
3. Clear and concise details of the fault
4. The model and the serial number (see rating label)
5. Date of purchase

CUSTOMER CARE

For general enquiries concerning your Tricity Bendix appliance and for further information on Tricity Bendix products, contact our Customer Care Department by letter or telephone as follows:

Customer Care Department

Tricity Bendix
55-77 High Street
Slough
Berkshire SL1 1DZ
Tel : 08705 - 950 950

Guarantee Conditions

TRICITY BENDIX STANDARD GUARANTEE CONDITIONS

We, Tricity Bendix, undertake that if, within 12 months of the date of the purchase, this Tricity Bendix appliance or any part thereof is proved to be defective by any reason only of faulty workmanship or materials, we will, at our option, repair or replace the same FREE OF ANY CHARGE for labour, materials or carriage on condition that:

- * The appliance has been correctly installed and used only on the gas and electricity supply stated on the rating plate.
- * The appliance has been used for normal domestic purposes only, and in accordance with the manufacturer's instructions.
- * The appliance has not been serviced, maintained, repaired, taken apart or tampered with by any person not authorised by us.
- * All service work under this guarantee must be undertaken by a Tricity Bendix Service Force Centre.
- * Any appliance or defective part replaced shall become the Company's property.
- * This guarantee is in addition to your statutory and other legal rights.

Home visits are made between **8.30am and 5.30pm** Monday to Friday. Visits may be available outside these hours, in which case a **premium** will be charged.

Exclusions

This guarantee does not cover:

- * Damage or calls resulting from transportation, improper use or neglect, the replacement of any light bulbs or removable parts of glass or plastic.
- * Costs incurred for calls to put right an appliance which is improperly installed or calls to appliance outside the United Kingdom.
- * Appliances found to be in use within a commercial or similar environment, plus those which are the subject to rental agreements.
- * Products of Tricity Bendix manufacture which are not marketed by Tricity Bendix.

European Guarantee

If you should move to another country within Europe then your guarantee moves with you to your new home subject to the

following qualifications:

- * The guarantee starts from the date you first purchased your product.
 - * The guarantee is for the same period and to the same extent for labour and parts as exist in the new country of use for this brand or range of products.
 - * This guarantee relates to you and cannot be transferred to another user.
 - * Your new home is within the European Community (EC) or European Free Trade Area.
 - * The product is installed and used in accordance with our instructions and is only used domestically, i.e. a normal household
- The electrical supply complies with the specification given in the rating label.
- * The product is installed taking into account regulations in your new country.

Before you move, please contact your nearest Customer Care centre, listed below, to give them details of your new home. They will then ensure that the local Service Organisation is aware of your move and able to look after you and your appliances.

France	Senlis	+33 (0)3 44 62 22 22
Germany	Nürnberg	+49 (0)911 323 2600
Italy	Pordenone	+39 (0)1678 47053
Sweden	Stockholm	+46 (0)20 78 77 50
UK	Slough	+44 (0)1753 219 898

To contact your local Tricity Bendix Service Force Centre telephone 08705 929 929

CHANNEL ISLANDS

GUERNSEY Guernsey Electricity
PO Box 4
Vale, Guernsey
Channel Islands

JERSEY Jersey Electricity
Company
PO Box 45
Queens Road
St Helier
Jersey
Channel Islands
JE4 8NY

SCOTLAND

ABERDEEN 8 Cornhill Arcade
(M05) Cornhill Drive
Aberdeen
AB2 5UT

AUCHTERMUCHY 33A Burnside
(M03) Auchtermuchy
Fife
KY14 7AJ

BLANTYRE Unit 5
(M07) Block 2
Auchenraith Industrial
Estate
Rosendale Way
Blantyre
G72 0NJ

DUMFRIES 93 Irish Street
(M01) Dumfries
Scotland
DG1 2PQ

DUNOON Briar Hill
(M 67) 7 Hill Street
Dunoon
Argyll
PA23 7AL

GLASGOW 20 Cunningham Road
(M04) Clyde Estate
Rutherglen,
Glasgow,
G73 1PP

INVERNESS Unit 3B
(M06) Smithton Indust. Est.
Smithton
Inverness
IV1 2PD

ISLE OF ARRAN Arran Domestics
(OWN SALES) Unit 4 The Douglas
Centre
Brodick
Isle of Arran
KA27 8AJ

ISLE OF BARRA J Zerfah
(OWN SALES) 244 Bruernish
Isle of Barra
Western Islands
HS9 5QY

ISLE OF BUTE Walker Engineering
(M66) Glenmhor
Upper Serpentine Road
Rothesay
Isle of Bute
PA20 9EH

ISLE OF LEWIS ND Macleod
(M69) 16 James Street
Stornoway
Isle of Lewis
PA872QW

KELSO 2-8 Wood Market
(M08) Kelso
Borders TD5 7AX

ORKNEY Corsie Domestics
(M65) 7 King Street
Kirkwall
Orkney KW15 1RE

PERTH Hydro Electrical
Inveralmond House
Ruthervenfield Road
Perth PH1 3AQ

PERTH Graham Begg Unit 4
(OWN SALES) Airport Ind Estate
Wick KW1 4QS

SHETLAND Tait Electronic Systems
Ltd.
Holmsgarth Road
Lerwick
Shetland ZE1 0PW

SHETLAND Bolts Shetland Ltd
(OWN SALES) 26 North Road
Lerwick
Shetland ZE1 0PE

WHALSAY Leask Electrical
(OWN SALES) Harlsdale
Symbister, Whalsay
Shetland ZE2 9AA

NORTHERN IRELAND

BELFAST Owenmore House
(M27) Kilwee Industrial Estate
Upper Dunmury Lane
Belfast
BT17 0HD

WALES

CARDIFF Guardian Industrial
(M28) Estate
Clydesmuir Road
Tremorfa, Cardiff
CF2 2QS

CLYWD Unit 6-7 Coed - Parc
(M14) Abergele Road
Rhuddlan
Clwyd
Wales
LL18 5UG

OSWESTRY Plas Funnon Warehouse
(M17) Middleton Road
Oswestry
SY11 2PP

HAVERFORDWEST Ark Appliances
(M75) Cromlech Lodge
Ambleston
Haverfordwest
Pembrokeshire
SA62 5DS

DYFED West Wales Appliances
(M77) Service
Maes Y Coed
High Mead
Llanybydder
Carmarthenshire
SA40 9UL

NORTH EAST

GATESHEAD Unit 356a
(M39) Dukesway Court
Dukesway
Team Valley
Gateshead
NE11 0BH

GRIMSBY Unit 2
(M42) Cromwell Road
Grimsby
South Humberside
DN31 2BN

HULL Unit 1
(M41) Boulevard Industrial
Estate
Hull
HU3 4AY

LEEDS 64-66 Cross Gates Road
(M37) Leeds
LS15 7NN

NEWTON AYCLIFFE Unit 16
(M45) Gurney Way
Aycliffe Ind Estate
Newton Aycliffe
DL5 6UJ

SHEFFIELD Pennine House
(M38) Roman Ridge Ind.
Roman Ridge Road
Sheffield
S9 1GB

NORTH WEST

BIRKENHEAD 1 Kelvin Park
(M11) Dock Road
Birkenhead
L41 1LT

CARLISLE Unit 8
(M10) South John Street
Carlisle
CA2 5AJ

ISLE OF MAN South Quay Ind Estate
(M64) Douglas
Isle of Man

LIVERPOOL Unit 1
(M15) Honeys Green Precinct
Honeys Green Lane
Liverpool
L12 9JH

MANCHESTER Unit 30
(M09) Oakhill Trading
Estate
Devonshire Road
Worsley
Manchester
M28 3PT

PRESTON Unit 250
(M13) Dawson Place
Walton Summit
Bamber Bridge
Preston
Lancashire
PR5 8AL

STOCKPORT Unit 20 Haigh Park
(M16) Haigh Avenue
Stockport
SK4 1QR

To contact your local Tricity Bendix Service Force Centre telephone 08705 929 929

MIDLANDS

BIRMINGHAM (M18)	66 Birch Road East, Wyrley Road Industrial Estate Witton Birmingham B67DB
BOURNE (M44)	Manning Road Ind Estate Pinfold Road Bourne PE10 9HT
BRIDGNORTH (M72)	1 Underhill Street Bridgnorth Salop WV16 4BB
GLOUCESTER (M23)	101 Rycroft Street Gloucester GL1 4NB
HEREFORD (M31)	Unit 3 Bank Buildings Cattle Market Hereford HE4 9HX
HIGHAM FERRERS (M51)	The Old Barn Westfield Terrace Higham Ferrers NN10 8BB
ILKESTON (M43)	Unit 2 Furnace Road Ilkeston DE7 5EP
LEICESTER (M22)	Unit 7 Oaks Industrial Estate Coventry Road Narborough Leicestershire LE0 5GF
LINCOLN (M40)	Unit 8 Stonefield Park Clifton Street Lincoln LN5 8AA
NEWCASTLE UNDER LYME (M12)	18-21 Croft Road Brampton Industrial Estate Newcastle under Lyme Staffordshire ST5 0TW
NUNEATON (M21)	19 Ptarmigan Place Townsend Drive Nuneaton CV11 6RX
REDDITCH (M20)	Heming Road Washford Redditch Worcestershire B98 0DH
TAMWORTH (M19)	Unit 3 Sterling Park Claymore Tamworth B77 5DO
WORCESTER (M73)	Unit 1 Northbrook Close Gregorys Mill Ind Estate Worcester WR3 8BP

LONDON & EAST ANGLIA

BECKENHAM (M79)	11a Gardener Ind Estate Kent House Lane Beckenham Kent BR3 1QZ
CHELMSFORD (M47)	Hanbury Road Widford Ind Estate Chelmsford Essex CM12 3AE
COLINDALE (M53)	Unit 14 Capital Park Capital Way Colindale London NW9 0EQ
ELTHAM (M78)	194 Court Road Mottingham - Eltham London SE9 4EW
ENFIELD (M49)	284 Alma Road Enfield London EN3 7BB
GRAVESEND (M57)	Unit B4, Imperial Business Estate Gravesend Kent DA11 0DL
HARPENDEN (M46)	Unit 4 Riverside Estate Coldharbour Lane Harpenden AL5 4UN
LETCHEWORTH (M50)	16-17 Woodside Ind Est. Works Road Letchworth Herts SG6 1LA
LONDON (M76)	2/4 Royal Lane Yiewsley West Drayton Middlesex UB7 8DL
MAIDENHEAD (M60)	Reform Road Maidenhead - Berkshire SL6 8BY
MOLESEY (M61)	10 Island Farm Avenue West Molesey Surrey KT8 2UZ
NEWBURY (M24)	PO BOX 5672 Newbury Berkshire RG14 5GF
IPSWICH (M48)	Unit 2B Elton Park Business Centre Hadleigh Road Ipswich IP2 0DD
NORWICH (M52)	2b Trafalgar Street Norwich NR1 3HN
SUNBURY (M63)	Unit 1a The Summit Hanworth Road Hanworth Ind Estate Sunbury on Thames TW16 5D

SOUTH EAST

ASHFORD (M58)	Unit 2 Bridge Road Business Estate Bridge Road Ashford Kent TN2 1BB
FLEET (M59)	Unit 1 Redfields Industrial Estate Church Crookham Fleet Hampshire GU13 0RD
HAYWARDS HEATH (M55)	21-25 Bridge Road Haywards Heath Sussex RH16 1UA

SOUTH WEST

BARNSTAPLE (M30)	P.O. Box 12 Barnstaple North Devon EX31 2YB
BOURNEMOUTH (M26)	63-65 Curzon Road Bournemouth Dorset BH1 4PW
BRIDGEWATER (M35)	6 Hamp Industrial Estate Bridgewater Somerset
BRISTOL (M25)	11 Eldon Way Eldonwall Trading Bristol Avon BS4 3QQ
EMSWORTH (M33)	266 Main Road Southbourne Emsworth PO10 8JL
ISLE OF WIGHT (M34)	Unit 8 Enterprise Court Ryde Business Park Ryde Isle of Wight PO33 1DB
NEWTON ABBOT (M29)	Unit 2 Zealley Industrial Estate Kingsteignton Newton Abbot S. Devon TQ12 3TD
PLYMOUTH (M32)	16 Faraday Mill Cattledown Plymouth PL4 0ST
REDRUTH (M36)	Unit 7D Pool Industrial Estate Wilson Way, Redruth, Cornwall TR15 3QW

Instructions for the Installer

Technical Data

Model Number: CSIE 506 X

Appliance Class 2 sub class 1 and Class 1

Dimensions

Height	900 mm
Depth	595 mm
Width	597 mm
Oven Capacity	1.8 Cu. ft

Ceramic Hob

Front left cooking zone	1,773 W/Ø180 mm
Back left cooking zone	1,216 W/Ø145 mm
Back right cooking zone	1,773 W/Ø180 mm
Front right cooking zone	1,216 W/Ø145 mm
Total rating	5,978 W

Oven

Convection Heating Element	2,086 W
Grill Element	1,875 W
Convection Fan	30 W
Oven light	15 W
Total rating	2,131 W
Supply voltage (50 Hz)	230-240 V

Total cooker rating 8,109 W

Important Safety Requirements

This cooker must be installed in accordance with the IEE Wiring Regulations (Current Edition).

Detailed recommendations are contained in the following British Standards Codes Of Practice: B.S. 6172/ B.S. 5440, Par. 2 and B.S. 6891 Current Editions.

Location

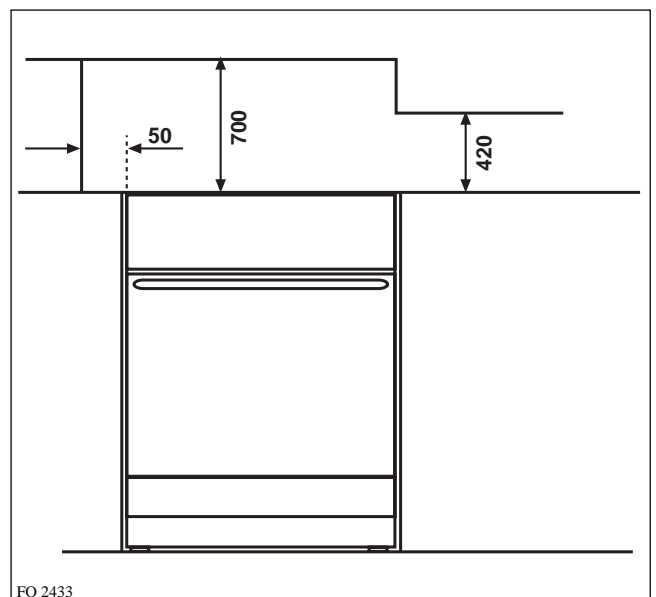
This cooker has been registered as a "Class X" appliance according to Fire Risk Regulations. Any adjacent cabinets or walls must not exceed the cooker's height.

The cooker may be located in a kitchen, a kitchen/diner or bed sitting room, but not in a bathroom or shower room.

The minimum distance combustible material can be fitted above the cooker in line with the edges of the cooker is 420 mm. If it is fitted below 420 mm. a space of 50 mm. must be allowed from the edges of the cooker.

The minimum distance combustible material can be fitted directly above the cooker is 700 mm.

If a cooker hood/extractor is fitted above the cooker, a minimum distance of 685mm must be allowed between the extractor and the hob.



Electrical connections



Any electrical work required to install this hob should be carried out by a qualified electrician or competent person, in accordance with the current regulations.




THIS COOKER MUST BE EARTHED.

The manufacturer declines any liability should these safety measures not be observed.

This cooker is designed to be connected to a 230-240V 50Hz AC electrical supply.

Before switching on, make sure the electricity supply voltage is the same as that indicated on the hob rating plate. The rating plate is located on the bottom of the hob. A copy is attached on the back cover of this book.

The cooker is supplied without supply cord. A 3 core flexible supply cord must be fitted, in accordance with the specification given in the relevant tables.

-  1) Loosen the two fixing screws securing the back protective screen of the cooker, then lift it up and remove it. This will expose the terminal block on the right bottom corner.
- 2) Loosen the two cable clamp screws and lift the top section of the clamp enough to allow the cable to be passed through.
- 3) Connect the red (live) wire to the terminal which is marked with the letter "L".
- 4) Connect the black (neutral) wire to the terminal which is marked with the letter "N".
- 5) After fitting a green or yellow/green sleeve over the bare copper wire (earth wire), connect the exposed end to the terminal which is marked with the earth symbol \perp or with the letter "E" coloured green and yellow.

NOTE:

The earth wire should be about 2 cm. longer than the live and neutral wires.

- 6) Secure the cable by means of the clamp screws and refit the back protective screen.

The cooker should be connected to a double pole switch with a minimum gap of 3 mm. between the switch contacts and of a type suitable for the required load in compliance with the current electric regulations. The switch should be sited within 2m of the hob and be easily accessible upon completion of the installation.

The switch must not break the yellow and green earth cable at any point.



Ensure that the hob supply cord does not come into contact with surfaces with temperatures higher than 50 deg. C.

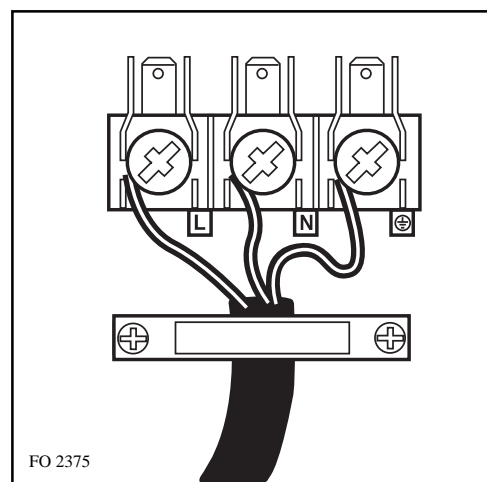
Supply Cable Specifications

For Uk use only

Connection via	Min. size Cable/flex	Cable / flex type	Fuse
• Cooker Control Circuit	3 x 6 mm ²	H05 VV-F	30 A

For Europe use only

Min. size Cable/flex	Cable / flex type	Fuse
3x 2.5 mm ²	H05 RR-F	30 A



Free Manuals Download Website

<http://myh66.com>

<http://usermanuals.us>

<http://www.somanuals.com>

<http://www.4manuals.cc>

<http://www.manual-lib.com>

<http://www.404manual.com>

<http://www.luxmanual.com>

<http://aubethermostatmanual.com>

Golf course search by state

<http://golfingnear.com>

Email search by domain

<http://emailbydomain.com>

Auto manuals search

<http://auto.somanuals.com>

TV manuals search

<http://tv.somanuals.com>