



OPERATING AND INSTALLATION INSTRUCTIONS

MODEL NO.
SI 221

TECHNICAL DETAILS

MODEL NO. SI 221

Voltage: 230/240 Volts AC 50Hz

Wattage: 7.4/8.0 kW

Height: 900mm

Width: 500mm

Depth: 600mm

This appliance complies with: European Council Directive 73/23/EEC.
EMC Directive 89/336/EEC.
CE Marking Directive 93/68/EEC.

CONTENTS

| | |
|--|----|
| Technical Details | 2 |
| Contents | 3 |
| Preface | 5 |
| Safety | 6 |
| Before Installation | 6 |
| During Operation | 6 |
| After Use | 7 |
| General | 7 |
| Introduction | 8 |
| Rating Plate | 8 |
| Installation | 8 |
| General Notes on Using Your Cooker | 9 |
| About Condensation and Steam | 9 |
| Grill and Oven Furniture | 9 |
| Getting to Know Your Cooker | 10 |
| The Control Panel | 10 |
| The Sealed Hotplates | 11 |
| Recommended Saucepans | 11 |
| Hints and Tips | 11 |
| Deep Fat Frying | 12 |
| Preserving | 12 |
| The Grill | 13 |
| Uses of the Grill | 13 |
| Selecting the Grill | 13 |
| Things to Note | 13 |
| The Grill Pan and Handle | 13 |
| Hints and Tips | 14 |
| Grilling Chart | 14 |
| The Oven | 15 |
| Selecting the Oven | 15 |
| Things to Note | 15 |
| To Fit the Main Oven Shelf | 15 |
| Hints and Tips | 15 |
| Oven Cooking Chart | 16 |
| Roasting Chart | 17 |

CONTENTS

| | |
|---|----|
| Care and Cleaning | 18 |
| Cleaning Materials | 18 |
| Cleaning the Sealed Hotplates and Trims | 18 |
| Cleaning the Outside of the Cooker | 18 |
| Cleaning the Grill Pan, Grill Pan Grid and Oven Shelf | 19 |
| Cleaning Inside the Oven/Grill | 19 |
| Hints and Tips | 19 |
| | |
| Something not Working? | 20 |
| Service and Spare Parts | 21 |
| Customer Service Centres | 22 |
| Guarantee Conditions | 24 |

PREFACE

Dear Customer,

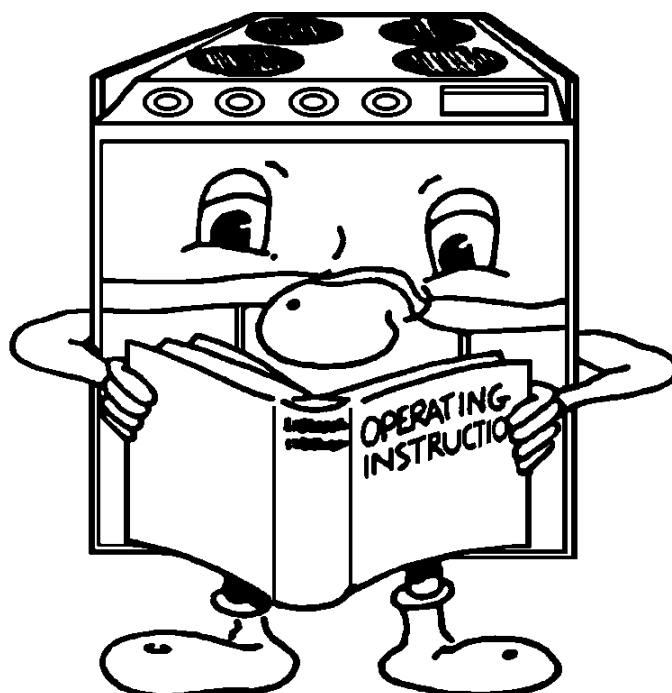
Thank you for buying a Tricity Bendix cooker. With our 80 years experience in developing and manufacturing the very best in U.K. cookers, you can be assured that you have purchased a hard working, reliable, quality product.

Tricity Bendix cookers comply with British Standard safety and performance requirements. They have been approved by BEAB (British Electrotechnical Approvals Board) and are covered by a 12 month parts and labour guarantee.

To get the best from your new Tricity Bendix cooker, we ask that you PLEASE READ THESE INSTRUCTIONS CAREFULLY. Particular attention should be made to cooking times and temperatures which may differ from your previous cooker.

It is most important that this instruction book is retained with the appliance for future reference. Should the appliance be sold, or if you move house and leave the appliance, always ensure that the book remains with the appliance. This will enable the new owner to be acquainted with the functioning of the appliance and the relevant warnings.

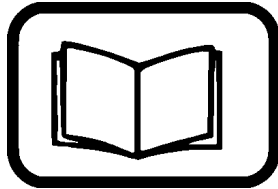
Please read the whole instruction book before attempting to use the appliance ensuring you follow the recommendations given.



SAFETY

THESE WARNINGS ARE PROVIDED IN THE INTERESTS OF YOUR SAFETY. ENSURE THAT YOU UNDERSTAND THEM ALL BEFORE INSTALLING OR USING THE COOKER.

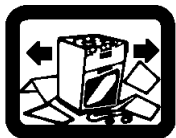
PLEASE
READ
CAREFULLY



BEFORE INSTALLATION



This cooker is heavy and care **must** be taken when moving it.



Ensure that all packaging, both inside and outside the cooker, has been removed before the appliance is used.



Do not try to move the cooker by pulling the door handles.

The cooker must be installed according to the instructions supplied. Any electrical installation work **must** be undertaken by a qualified electrician/competent person.



It is dangerous to alter or modify the specifications of the product in any way.



After installation, please dispose of the packaging with due regard to safety and the environment.

DURING OPERATION



Do not use this cooker if it is in contact with water. **Never** operate it with wet hands.



This cooker is designed to be operated by adults. Young children **must not** be allowed to tamper with the cooker or play with the controls.

Do not allow children to sit or climb onto the drop down oven door.

Caution accessible parts especially around the grill area may become hot when the cooker is in use. Children should be **kept away** until it has cooled.



Take **great care** when heating fats and oils as they will ignite if they become too hot.

This cooker has been designed for cooking edible foodstuffs only, and **must not** be used for any other purposes.



Never place plastic or any other material which may melt in the oven or on the hob.



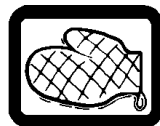
Ensure cooking utensils are large enough to contain foods to prevent spillages and boil overs.



Take care to follow the recommendations given for tending the food when grilling. Use the handle provided in the recommended way.

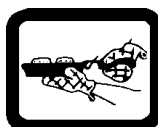


Do not leave the handle in position when grilling as it will become hot.



Always use oven gloves to remove and replace food in the oven. Similarly always use oven gloves to remove and replace the grill pan handle when grilling.

Recommendations given on page 13.



Ensure that you support the grill pan when it is in the withdrawn or partially withdrawn position.

Ensure that all vents are left unobstructed to ensure ventilation of the oven cavity.

Ensure that the anti-tilt shelf is put in place correctly. Refer to instructions on page 15.

Never line any part of the cooker with aluminium foil. **Do not** allow heatproof cooking material, e.g. roasting bags to come into contact with oven elements.



Always stand back from the cooker when opening the oven door to allow any build up of steam or heat to release.



Stand clear when opening the drop down oven door. **Do not** allow it to fall open - support it using the door handle until it is fully open.



Do not place sealed cans or aerosols inside the oven. They may explode if they are heated.

AFTER USE



Ensure that all control knobs are in the OFF position when not in use.



For hygiene and safety reasons this cooker should be kept clean at all times. A build-up of fats or other foodstuffs could result in a fire, especially in the grill pan.



Do not leave utensils containing foodstuffs, e.g. fat or oil in or on the appliance in case it is inadvertently switched ON.

Cookers and hobs become **very hot**, and retain their heat for a long period of time after use. Children should be kept well away from the cooker until it has cooled.

GENERAL

Under no circumstances should repairs be carried out by inexperienced persons as this may cause injury or serious malfunction.



This cooker should be serviced by an authorised Service Engineer and only genuine approved spare parts should be used. Details of servicing and repair arrangements are given on page 21 of this book.



Do not stand on the cooker or on the open oven door.



Do not hang towels, dishcloths or clothes from the appliance or its handles. They are a safety hazard.



Only clean this cooker in accordance with the instructions given in this book.

Your safety is of paramount importance.

Therefore, if you are unsure about any of the meanings of these WARNINGS contact the:

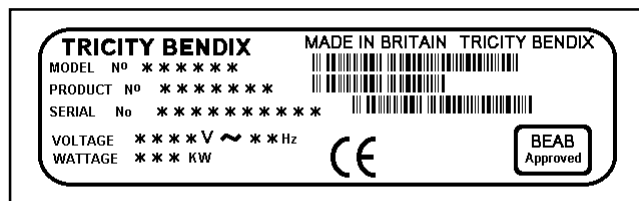
Consumer Care Department
Telephone (01635) 525542

INTRODUCTION

WARNING: THIS APPLIANCE MUST BE EARTHED

RATING PLATE

Record the model, product and serial numbers on the back cover of this instruction book, from the rating plate. This is situated on the base of the appliance on the front right hand side.



The appliance must be protected by a suitably rated fuse or circuit breaker. The rating of the appliance is given on the rating plate.

Do not remove the rating plate from the cooker as this may invalidate the guarantee.

INSTALLATION

This appliance complies with Radio Interference requirements of EEC Directive 87/308/EEC.

If your cooker has been damaged in transit, contact your supplier immediately. **DO NOT** attempt to install it.

Your cooker left the factory fully packaged to protect it from damage. If it is delivered without packaging and damage has occurred, the manufacturer cannot accept responsibility. Contact your supplier for advice.

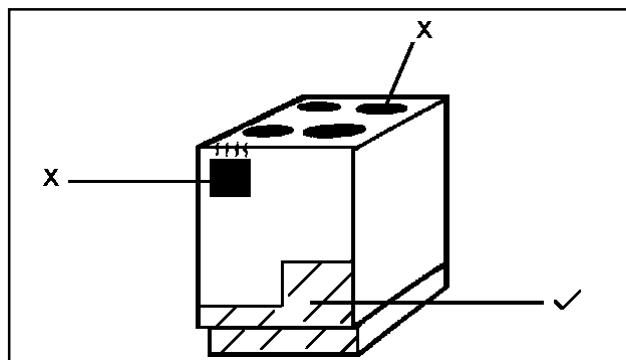
Once the packaging has been removed the cooker should only be moved by hand. **DO NOT** use a sack barrow or any other aid to lift the cooker as damage may occur.

Connection to the electricity supply must be carried out by a qualified electrician/competent person.

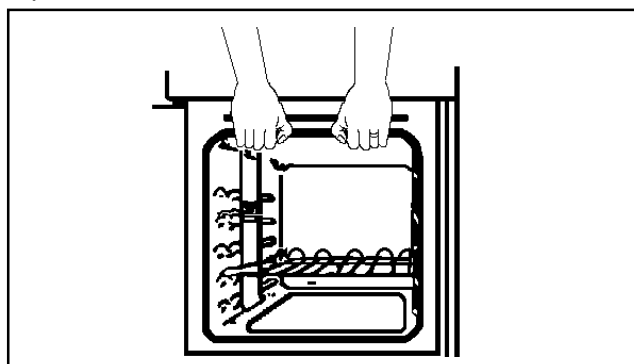
The electrical connection should be made using a double pole isolating switch (cooker socket) with at least 3mm contact separation. The cable must have conductors of sufficiently high cross-sectional area to prevent overheating and deterioration.

Six square millimetres (6.00mm²) is the recommended cross-section area.

The cable should be routed away from potentially hot areas marked by X in the diagram below.



To move the cooker, open the main oven door and lift the cooker by holding inside the top of the compartment.

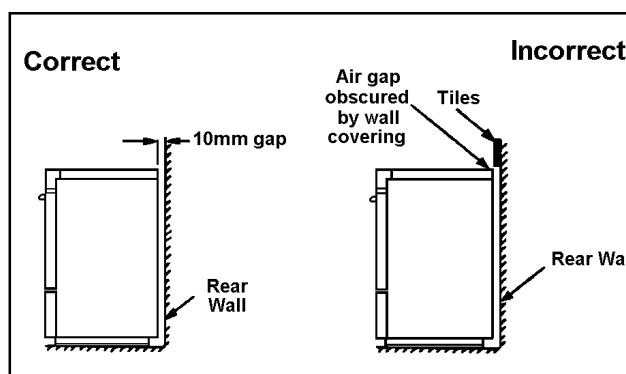


This is a type X appliance which means it is free-standing and can be fitted with cabinets on one or both sides.

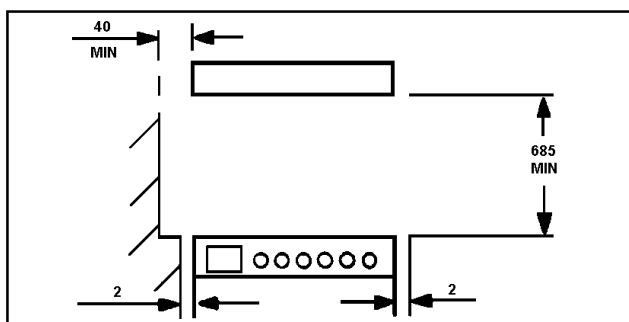
Side walls which are above hob level should be protected by heat resistant non-combustible material and **MUST NOT** be nearer than 40mm to the hob side.

A nominal air gap of 2mm at either side of the cooker is required to enable the cooker to be moved into position. It is recommended that proprietary trims are fitted to protect the worktops of either side of the appliance. These are available from most DIY stores.

Two spacers have been incorporated into the back of the appliance to ensure an air gap of 10mm is maintained at hotplate level. Tiles or other forms of deep wall covering should not obscure this gap.



Overhanging surfaces or a cooker hood should be a minimum of 685mm above the hob.



It is important to ensure that the appliance is level after installation. Levelling feet are fitted to the front of the appliance to accommodate uneven floors.

FITTING THE STABILITY BRACKET

It is recommended that a stability bracket supplied with the appliance be fitted during installation. The instructions are as follows.

1. Place the appliance in its intended position and level appliance.
2. Mark off 280mm from the left hand side at the base of the appliance as shown in dimension 'A', Fig 1. This is the centre line of the fixing bracket.
3. Draw a line across the front edge of the feet (see Fig 1) and remove appliance from its position. Mark off dimension 'B' (see Fig 1) back from this line on the centre line of the bracket to locate the front edge of the lower bracket. Fix lower bracket (with two fixing holes) to the floor then measure the height from floor level to engagement edge on back of appliance, dimension 'C' of Fig. 2.
4. Assemble upper bracket to lower bracket so that underside of bracket is dimension 'C' +3mm above floor level. (see Fig. 2).

Reposition appliance and check that top bracket engages into appliance back as shown in Fig. 2.

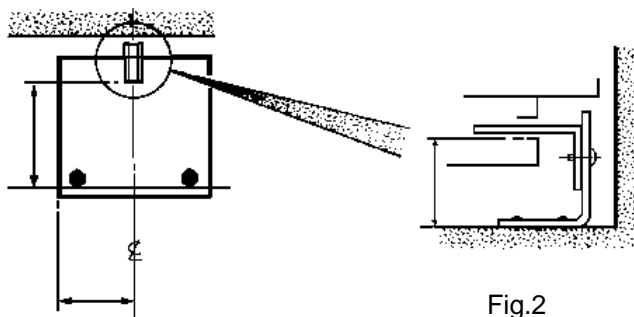


Fig.1

Fig.2

GENERAL NOTES ON USING YOUR COOKER

We suggest that you run the oven elements for 10 - 15 minutes at 220°C to burn off any residue from their surfaces.

The procedure should be repeated with the grill for approximately 5 - 10 minutes.

During this period an odour may be emitted, it is therefore advisable to open a window for ventilation.

ABOUT CONDENSATION AND STEAM

When food is heated it produces steam similar to a boiling kettle. The ovens are vented to allow some of this steam to escape between the wall and the rear of the appliance. However, always stand back from the appliance when opening the oven door to allow any build up of steam or heat to release.

If the steam comes into contact with a cool surface on the outside of the appliance, e.g. a trim, it will condense and produce water droplets. This is quite normal and is not caused by a fault on the appliance.

To prevent discolouration, regularly wipe away condensation and also soilage from surfaces.

For your safety, wall coverings at the rear of the appliance should be securely fixed to the wall.

OVEN / GRILL INDICATOR NEON

The light indicates whether the oven or the grill are switched on. The neon also indicates when the set temperature is being maintained. The neon will cycle on and off during cooking. In the case of the oven the neon indicates when the correct temperature has been reached.

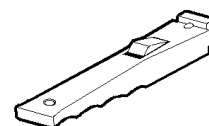
GRILL AND OVEN FURNITURE

The following items of oven furniture have been supplied with the cooker:

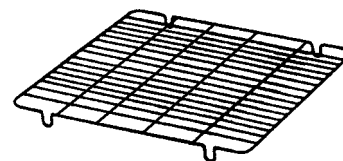
1 grill pan



1 grill pan handle



1 grill pan grid

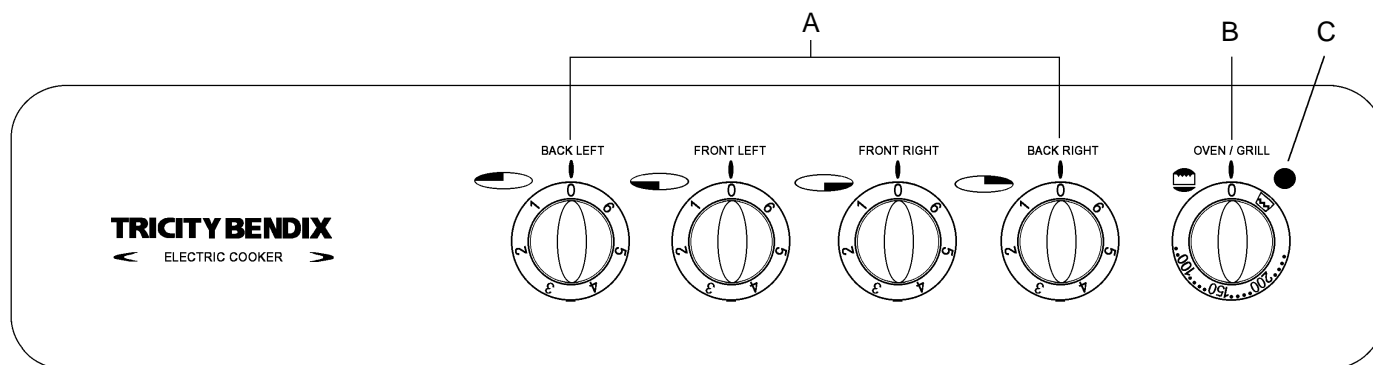


1 straight shelf for oven



GETTING TO KNOW YOUR COOKER

THE CONTROL PANEL



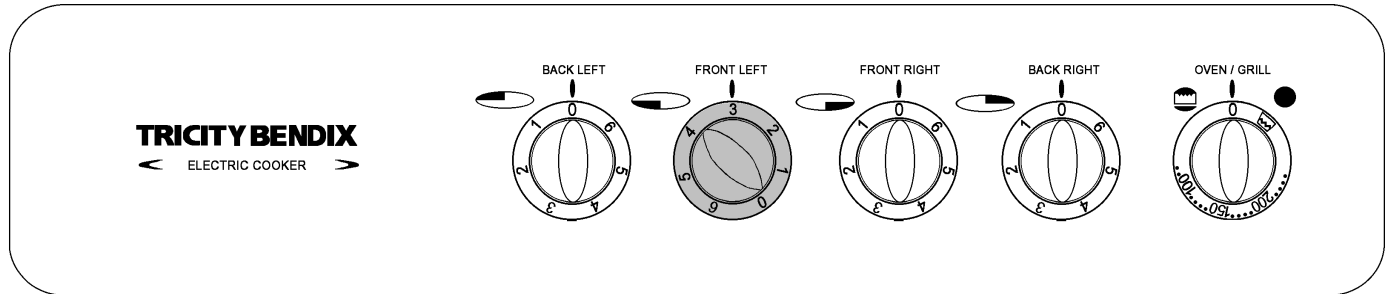
FEATURES

- A - Hotplate Controls
- B - Oven/Grill Control
- C - Oven/Grill Indicator Neon

THE SEALED HOTPLATES

BEFORE USING THE HOTPLATES FOR THE FIRST TIME

Turn the control knob to a medium/high setting and allow the hotplate to heat, uncovered by a saucepan for 3-5 minutes. This hardens the protective coating on the hotplates, and makes it more resistant to normal use. A harmless smoke will be given off from the hotplates.

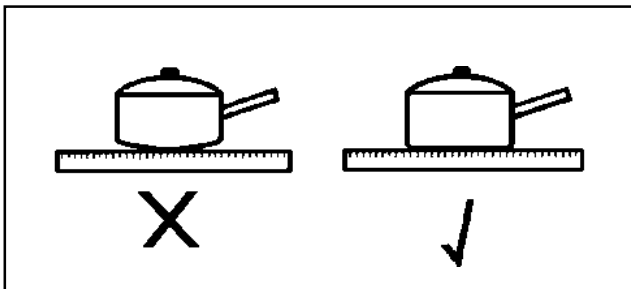


- To operate the hotplates turn the control knobs in either direction to vary the heat setting.
- The highest number represents the hottest setting and the lowest represents the coolest setting. Choose a setting appropriate to the quantity and type of food to be cooked.

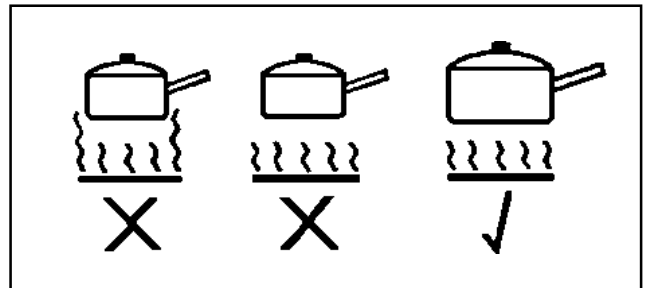
RECOMMENDED SAUCEPANS

For speed and economy only good quality saucepans with flat bases and close fitting lids are recommended.

To check the flatness of the saucepan, place a ruler across the pan base, hold at eye level and look for light showing. There should be very little or no light visible between the ruler and the pan base.



The size of the base of the saucepan should be the same or up to 2.5cm/1 inch larger than the hotplate. If the base is too small, energy will be wasted, boilovers will also be more difficult to deal with as spillage will fall directly onto the hotplate.



Pressure cookers, preserving pans, etc., should comply with the recommendations given above.

Traditional round-bottomed Woks must not be used even with a stand. Woks with flat-bottomed bases are available and do comply with the above recommendations.

HINTS AND TIPS

- Avoid the use of decorative covers as they can cause condensation to form on the hotplates which may lead to deterioration.
- Follow any guidelines provided by the saucepan manufacturer, particularly those relating to recommended heat settings.
- Avoid using thin, badly dented or distorted saucepans as they can lead to sticking and burning of food.
- To prolong the life of the hotplates:-
 - Never use utensils with a skirt, e.g. a bucket
 - Never use an asbestos mat

DEEP FAT FRYING

SPECIAL FRYING NOTE:

For safety purposes when deep fat frying, fill the pan one-third full of oil, DO NOT cover the pan with a lid and DO NOT leave the pan unattended. In the unfortunate event of a fire, switch OFF at the electricity supply and cover the pan with a lid or damp cloth to assist in smothering the flames.

DO NOT use water on the fire. Leave the pan to cool for at least 30 minutes before moving it.

DO NOT leave the fat or oil in the frying pan on the hob to store it in case the hob is inadvertently switched ON.

1. Preparing the food

Seal the food by coating with flour, egg and breadcrumbs or batter. **Do not** use a basket with batter coated foods as they will stick.

2. Amount of oil

For safety purposes fill the pan only one-third full of oil.

3. Testing the temperature of the oil

It is advisable to use a thermometer to test the temperature of the oil. Alternatively, drop a small cube of bread into the oil which should brown in just under a minute if the oil is at the correct temperature of 190°C/375°F.

4. Cooking the food

Lower the food gently into the oil. **Do not** add too much food at once or the temperature of the oil will be reduced and may result in soggy, greasy food.

Turn the food if necessary; doughnuts float to the surface so will not brown on the upperside if not turned. Once cooked, drain the food on absorbent paper.

5. Double frying chips

Double frying will ensure good chips. First fry the chips for a few minutes at 170°C/340°F to seal the outside. Remove the chips from the oil. Increase the temperature of the oil to 190°C/375°F to finish cooking and brown the chips.

Chips may be kept for several hours after the first frying before finishing off with the second frying.

6. Frying temperatures

| | Celsius Scale (°C) | Fahrenheit Scale (°F) |
|---------------------------|--------------------|-----------------------|
| | 150 | 300 |
| First frying of potatoes | 170 | 340 |
| | 175 | 350 |
| | 180 | 360 |
| Second frying of potatoes | 190 | 375 |
| Frying chicken and fish | 195 | 380 |
| | 200 | 390 |

PRESERVING

1. DO NOT use a pan that overlaps the perimeter of the hob trim.

2. To allow for a full rolling boil, the pan should be no more than one third full when all the ingredients have been added. It is better to use two pans rather than overfill one, or use half quantities.

3. Use firm fruit or vegetables and wash well before using.

4. Preserving sugar gives clear jam, however granulated sugar is cheaper and gives equally good flavour.

5. Crystallization may be caused if sugar is not completely dissolved before bringing jam to the boil. Over boiling will affect the flavour, setting properties and colour of the jam.

6. To test jam for setting:

If a jam thermometer is available, boil jam to 104°C. Marmalade should be boiled to 106°C.

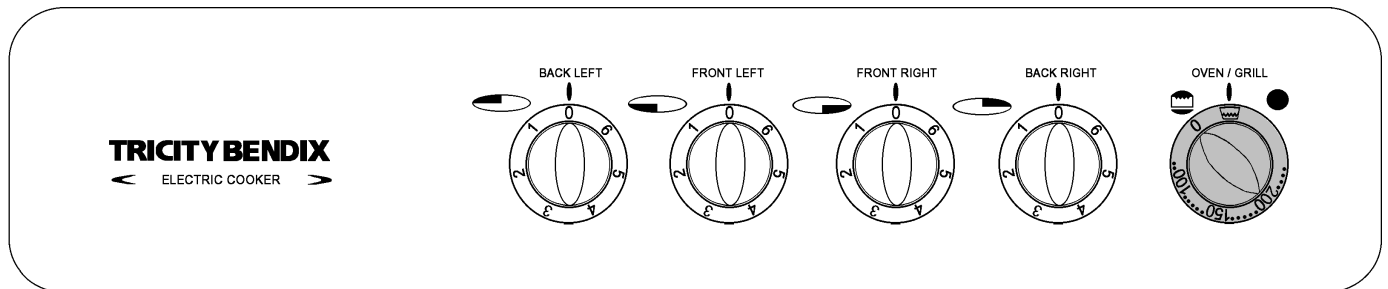
If a jam thermometer is not available, remove pan from heat, place sample of jam on a cold dish and cool quickly (i.e. in a freezer or frozen food storage compartment of a refrigerator). When cold, it will crinkle and hold the mark of a finger run through it, if it is ready.


7. The scum should be removed as soon as possible after setting, but marmalade should be allowed to cool before potting to prevent the peel rising.

THE GRILL

CAUTION - ACCESSIBLE PARTS MAY BECOME HOT WHEN THE GRILL IS IN USE. CHILDREN SHOULD BE KEPT AWAY.

SELECTING THE GRILL



- To operate the grill, turn the oven/grill control clockwise until the grill setting  lines up with oven/grill on control panel.
- Close the door.
- The oven/grill neon indicator will light.
- The oven/grill neon indicator will cycle on and off periodically during grilling.

THINGS TO NOTE

The grill door must be closed during grilling. Grilling with the door open could cause areas of the oven and surrounding furniture to become excessively hot, as well as reducing the performance, efficiency and economy of the grill.

The grill cannot be used at the same time as the oven.

THE GRILL PAN AND HANDLE

The grill pan is supplied with a removable handle.

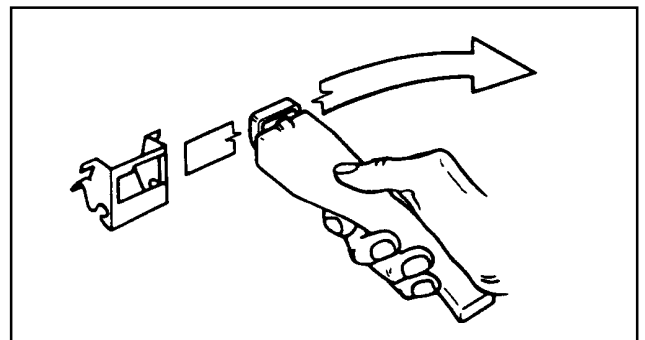
To insert the handle, press the button on the handle with the thumb and pivot the handle slightly upwards inserting the lip into widest part of the bracket. Move the handle towards the left, lower into position and release the button.

Ensure the handle is positively located.

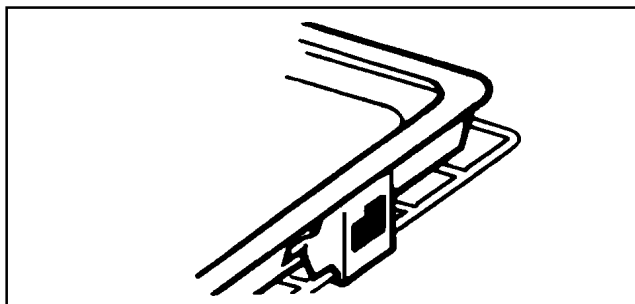
When removing the handle, press the button on the handle with the thumb and pivot the handle slightly upwards and towards the right to remove from the bracket.

Ensure your hand is protected when inserting and removing the grill pan handle as the control panel trim and grill element can become very hot.

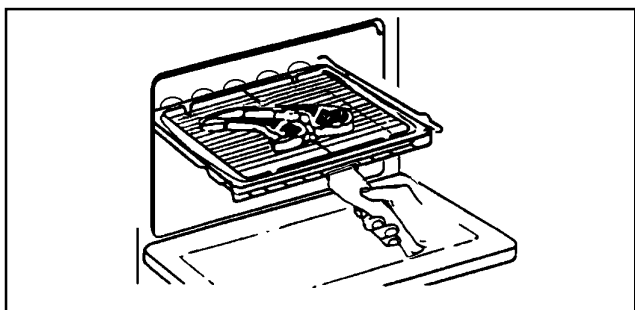
ALWAYS REMOVE THE GRILL PAN HANDLE DURING GRILLING.



To correctly locate the grill pan on the shelf, ensure that the cut out on the underside of the handle bracket locates over the front bar of the shelf.

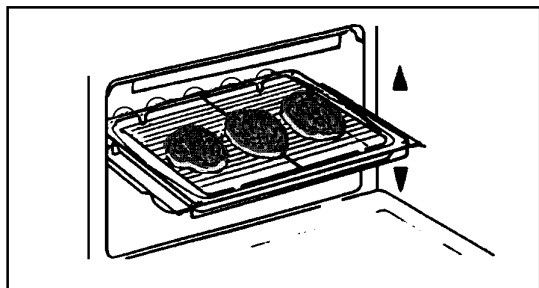


To check the progress of the food being grilled, the grill pan should be withdrawn on the shelf to tend the food during cooking, or the carrier shelf can be lifted away from the cooker and rested on a heat resistant work surface.

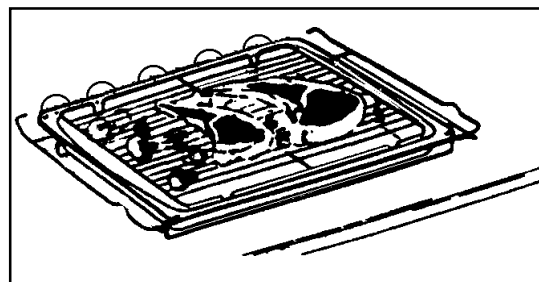


HINTS AND TIPS

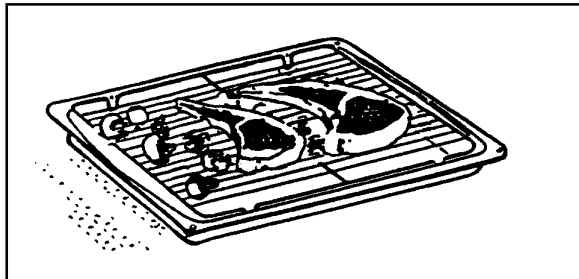
- Food should be thoroughly dried before grilling to minimise splashing. Brush lean meats and fish lightly with a little oil or melted butter to keep them moist during cooking.
- Adjust the grid and grill pan shelf position to allow for different heights of food.



- Place food on the grill pan grid or directly onto the grill pan base.



- Accompaniments such as tomatoes and mushrooms may be placed around the outer edges or underneath the grid when grilling meats.



- When toasting bread use the shelf in position 5 with the grid in the high position and placing the bread in the centre of the grid.
- Preheat the grill on a full setting for five minutes before cooking. Adjust the shelf as necessary during cooking.
- The food should be turned over during cooking as required.

GRILLING CHART

| FOOD | SHELF POSITION | GRILL TIME (mins) |
|-----------------------------|----------------|-------------------|
| Bacon Rashers | 4 | 2-3 each side |
| Beefburgers | 4 | 6-10 each side |
| Chicken Joints | 4 | 15-20 each side |
| Chops - Lamb | 4 | 7-10 each side |
| Pork | 4 | 10-15 each side |
| Fish - Whole Trout/Mackerel | 4 | 8-12 each side |
| Filletts - Plaice/Cod | 4 | 4-6 each side |
| Kebabs | 4 | 10-15 each side |
| Kidneys - Lamb/Pig | 4 | 4-6 each side |
| Liver - Lamb/Pig | 4 | 5-10 each side |
| Sausages | 4 | 10-15 each side |
| Steaks - Rare | 4 | 3-6 each side |
| Medium | 4 | 6-8 each side |
| Well Done | 4 | 7-10 each side |
| Toasted Sandwiches | 5 | 1¼-1½ each side |

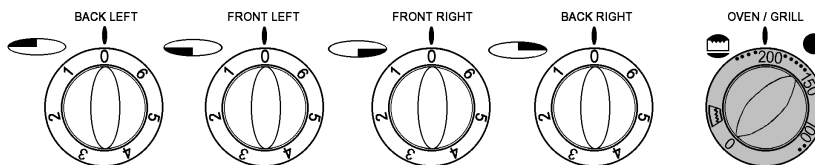
Shelf positions are counted from the bottom upwards.

The times quoted above are given as a guide and should be adjusted to suit personal taste.

THE OVEN

SELECTING THE OVEN

TRICITY BENDIX
ELECTRIC COOKER



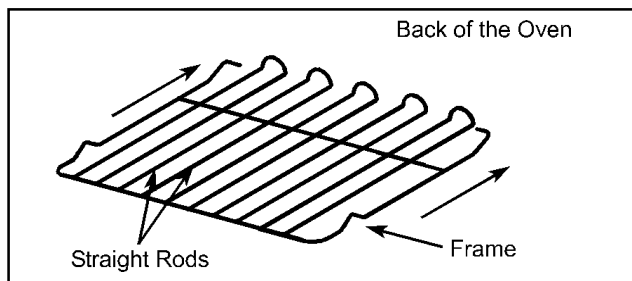
- To operate the oven turn the oven temperature control to the required setting.

THINGS TO NOTE

1. The oven indicator light will glow until the oven has reached the required temperature and then go out. It will cycle ON and OFF periodically during cooking showing that the temperature is being maintained.

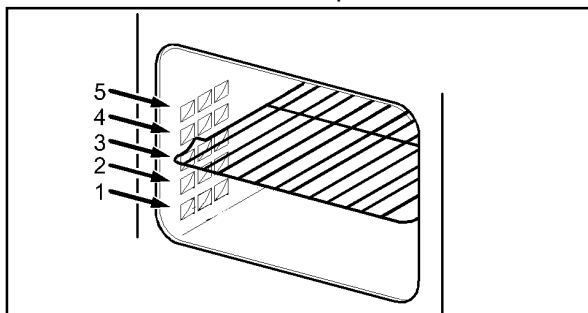
TO FIT THE OVEN SHELF

The shelf should be fitted with the straight rods uppermost on the frame and the forms towards the back of the oven. If not fitted correctly the anti-tilt and safety stop mechanism will be affected.



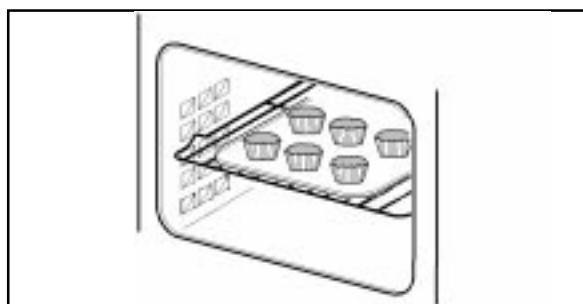
HINTS AND TIPS

- Arrange the shelf in the required position before switching the oven ON. Shelf positions are numbered from the bottom upwards.



- Only cook food or place dishes on the single shelf provided.
- Where a single dish is to be cooked place it centrally on the oven shelf.
- For your safety DO NOT withdraw the oven shelf when removing food/dishes from the oven.

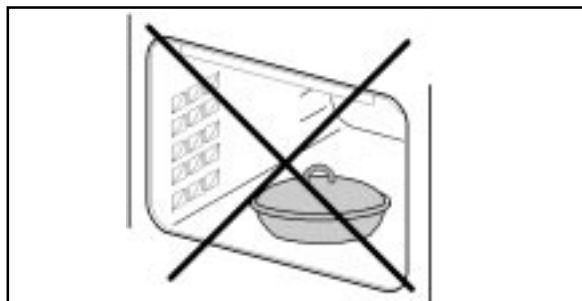
- The oven is fitted with elements at the top and bottom of the cavity.



- Do not line any part of the oven with aluminium foil as it may cause damage or interfere with the air circulation.

For best results always:-

- Preheat the oven until the indicator neon goes out.
- For economy leave the oven door open for the shortest possible time particularly when placing food into a pre-heated oven.
- **Do not** place baking trays or dishes directly on the oven floor as it interferes with the oven air circulation and can lead to base burning; use the lower shelf position.



- The use of excessively high temperatures can cause uneven browning. It may be necessary to reduce temperatures slightly. Refer to the recommendations given in the oven cooking chart, see page 16.

OVEN COOKING CHART

The oven temperatures are intended as a guide only. It may be necessary to increase or decrease the temperatures by 10°C to suit individual preferences and requirements. Shelf positions are counted from the bottom of the oven.

| FOOD | OVEN SHELF POSITION | COOKING TEMP (°C) | APPROX COOK TIME (MINS) |
|-----------------------------------|---------------------|---------------------------------|-------------------------|
| Biscuits | 3 | 190-200 | 10-20 |
| Flapjacks | 3 | 180-190 | 25-30 |
| Shortbread | 3 | 150-160 | 45-65 |
| Bread | 2 | 220 | 30 |
| Bread rolls/buns | 2 | 220 | 30 |
| Casseroles - beef | 3 | 140-150 | 2-3 hours |
| Chicken casserole | 3 | 180-190 | 1½ hours |
| Cakes: Small & Queen | 3 | 180-190 | 20-25 |
| Victoria sandwich | 2 | 180-190 | 20-25 |
| Gingerbread | 3 | 150-160 | 1¼-1½ hours |
| Madeira | 2 | 140-150 | 1-1¼ hours |
| Rich fruit | 2 | 150-160 | 2¼-2¾ hours |
| Christmas | 1 | 140-150 | Depending on size 3-4½h |
| Meringues | 3 | 100 | 2½-3 hours |
| Convenience foods | 2 | Follow instructions on the pack | |
| Fish | 2 | 180-190 | 20-30 |
| Fish pie (potato topped) | 3 | 200-210 | 20-25 |
| Shepherds pie | 3 | 200-210 | 30-35 |
| Fruit pies and crumbles | 3 | 210-220 | 40-45 |
| Milk puddings | 3 | 150-160 | 1½-2 hours |
| Pastry: Choux - Chocolate eclairs | 4 | 200-210 | 20-25 |
| Profiteroles | 4 | 200-210 | 20-25 |
| Shortcrust - Mince pies | 3 | 200-210 | 15-20 |
| Flaky/puff pies | 3 | 220-230 | 30-40 |
| Quiche Lorraine/tarts/flans | 3 | 200-210 | 30-45 |
| Meat pie | 3 | 200-210 | 30-45 |
| Plate tarts/pies | 3 | 200-210 | 30-45 |
| Scones | 2 | 230-240 | 8-12 |
| Soufflés | 3 | 200 | 30-40 |
| Roasting meat, poultry | 2 | 180-200 | See Roasting Chart |
| Pasta e.g. Lasagne | 2 | 200 | 30-40 |
| Vegetable dishes: | 3 | 200 | 1½ hours |
| Baked jacket potatoes | 3 | 200 | 1-1½ hours |
| Baked stuffed marrow | 3 | 200 | 30-35 |
| Baked stuffed tomatoes | 3 | 190 | 20-25 |
| Roast potatoes | 3 | 200-220 | 1-1½ hours |
| Yorkshire puddings: (large) | 3 | 230 | 35-40 |
| (individual) | 3 | 230 | 35-40 |

ROASTING CHART

| MEAT | TEMPERATURES (°C) | COOKING TIME |
|-----------------------|-------------------|--|
| | OVEN | |
| Beef | 180-200 | 20-35 minutes per ½kg (1lb) and 20-35 minutes over |
| Beef, boned | 180-200 | 25-35 minutes per ½kg (1lb) and 25-35 minutes over |
| Mutton and Lamb | 180-200 | 25-35 minutes per ½kg (1lb) and 25-35 minutes over |
| Pork and veal | 180-200 | 30-40 minutes per ½kg (1lb) and 30-40 minutes over |
| Ham | 180-200 | 30-40 minutes per ½kg (1lb) and 30-40 minutes over |
| Chicken | 180-200 | 15-20 minutes per ½kg (1lb) and 20 minutes over |
| Turkey and goose | 180-200 | 15-20 minutes per ½kg (1lb) up to 3½kg (7lb) then 15 minutes per ½kg (1lb) |
| Duck | 180-200 | 25-35 minutes per ½kg (1lb) and 25-35 minutes over |
| Pheasant | 180-200 | 35-40 minutes per ½kg (1lb) and 35-40 minutes over |
| Rabbit | 180-200 | 20 minutes per ½kg (1lb) and 20 minutes over |
| Potatoes with meat | 180-200 | according to size |
| Potatoes without meat | 190-200 | according to size |

CARE AND CLEANING

ALWAYS SWITCH OFF THE ELECTRICITY SUPPLY BEFORE CLEANING

CLEANING MATERIALS

Before using any cleaning materials on your cooker, check that they are suitable and that their use is recommended by the manufacturer.

Cleaners that contain bleach should NOT be used as they may dull the surface finishes. Harsh abrasives should also be avoided.

CLEANING THE SEALED HOTPLATES AND HOTPLATE TRIMS

In order to maintain the appearance of your cooker's sealed hotplates and trims you are advised to use the recommended cleaning agents daily. If you do not allow spillages to burn on they will be much easier to clean off.

THINGS TO NOTE

The red spot in the centre of the hotplate may be removed with some abrasive cleaning agents. This is not a fault and does not effect the performance of the hotplate.

FOR NORMAL SOILAGE

Wipe over the hotplates and trims using a clean damp cloth then switch to a low or medium setting for a few minutes to thoroughly dry.

FOR HEAVY SOILAGE

Use a clean damp cloth or scourer with a cream cleaner e.g. 'Jif' or a powder cleaner e.g. 'Ajax' on the hotplate and trims. Follow the circular grooved pattern on the hotplate when cleaning. Rinse off cleaning agents thoroughly. Dry as for normal soilage.

For more stubborn marks warm the hotplate on a low setting for 30 seconds. Clean the sealed plate with 'Ajax' powder cleaner, 'Jif' cream cleaner or a 'Brillo' pad. You may have to rub hard for several minutes.

Rinse off cleaning agents thoroughly with a damp cloth. Switch to a low or medium setting for a few minutes until the hotplate is thoroughly dry.

CLEANING THE HOTPLATE TRIMS

The stainless steel trims may become straw coloured during use. Using a proprietary stainless steel cleaner, e.g. 'Shiny Sinks' will help maintain a bright appearance. Alternatively a powder cleaner such as 'Bar Keepers Friend' may be used regularly.

CLEANING THE VITREOUS ENAMEL

Use a clean damp cloth or scourer made for non-stick saucepans with 'Jif' cream cleaner.

AFTER CLEANING

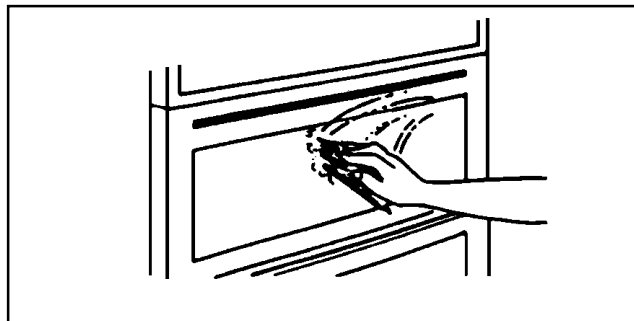
To maintain the appearance of the hotplates occasionally apply a little salt free vegetable oil or commercial restorative agent e.g. '4 Hob' or use a 'Minky' Hotplate Cleaning Cloth.

To apply vegetable oil, first heat the hotplate on a medium setting for 30 seconds then turn OFF. Pour a very small amount of oil onto kitchen paper, apply the paper to the hotplate and wipe off any excess oil. Heat the hotplate on a medium setting for 1 minute.

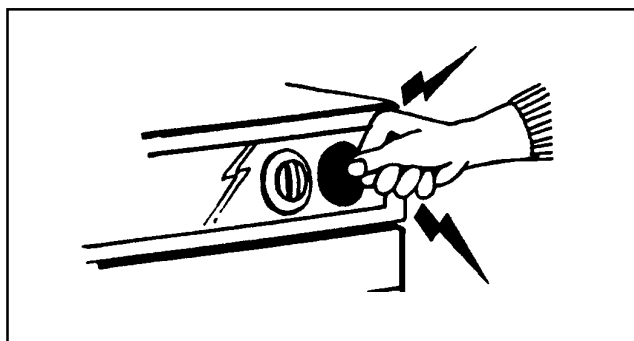
To apply restorative agent, apply a thin coating of '4 Hob' or use a Minky cloth following the manufacturers instructions.

CLEANING THE OUTSIDE OF THE COOKER

DO NOT use abrasive cleaning materials, or scourers on the outside of the cooker as some of the finishes are painted and damage may occur. Regularly wipe over the control panel, oven doors and cooker sides using a soft cloth and liquid detergent.



DO NOT ATTEMPT TO REMOVE ANY OF THE CONTROL KNOBS FROM THE PANEL AS THIS MAY CAUSE DAMAGE AND IS A SAFETY HAZARD



CLEANING THE GRILL PAN, GRILL PAN GRID AND OVEN SHELF

All removable parts, except the grill pan handle can be washed in the dishwasher.

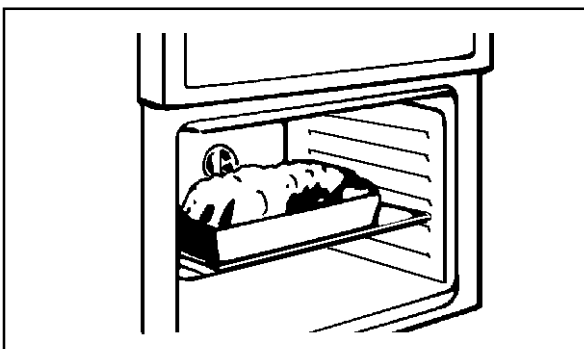
The grill pan and oven shelf may be cleaned using a soap impregnated steel wool pad. The grill pan grid should be cleaned using hot soapy water. Soaking first in soapy water will make cleaning easier.

CLEANING INSIDE THE OVEN / GRILL COMPARTMENT

The vitreous enamel main oven and interior oven door and can be cleaned using normal oven cleaners or aerosol oven cleaners with care. Ensure that the manufacturers instructions are followed and that all parts are well rinsed afterwards.

HINTS AND TIPS

- Cook at the recommended temperatures. Higher temperatures during roasting will increase soilage. Try cooking at lower temperatures for an increased length of time, you will save energy and often the joint is more tender.
- Use minimal, if any, extra oil or fat when roasting meat, potatoes only require brushing with fat before cooking. Extra fat in the oven during roasting will increase splashing and soilage.
- It is NOT necessary to add water to the meat tin when roasting. The water and the fat juices from the joint create excessive splattering during cooking - even at normal temperatures, as well as causing condensation.
- Covering joints during cooking will also prevent splashing onto the interior surfaces. Removing the covering for the last 20-30 minutes will allow extra browning if required. Some large joints and turkeys especially benefit by this method of cooking, allowing the joint to cook through before the outside is over-browned.



SOMETHING NOT WORKING?

We strongly recommend that you carry out the following checks on your appliance before calling a Service Engineer. It may be that the problem is a simple one, which you can solve yourself without the expense of a service call.

If our Service Engineer finds that the problem is listed below you will be charged for the call whether or not the appliance is under guarantee.

The cooker does not work at all:

- * Check that the appliance has been wired in and is switched on at the wall.
- * Check that the main cooker fuse is working.

The oven temperature is too high or low:

- * Check that the recommended temperatures are being used (see page 16). Be prepared to adjust the temperatures up or down by 10°C to achieve the results you want.
- * Care should be taken if using an oven thermometer to check oven temperatures as they may be inaccurate.

The following factors should be considered.

- * Ensure you purchase an accurate good quality instrument.
- * The oven will cycle about a set temperature and will not be constant.

If the oven is not cooking evenly:

- * Check that the cooker is correctly installed and that it is level.
- * Check that the grill door is closed during grilling.
- * Check that the recommended temperatures and shelf position is being used.

HELP US TO HELP YOU

Please determine your type of enquiry before writing or telephoning.

SERVICE

It is a recommendation by the manufacturer that annual servicing of the product is done by the manufacturers approved service organisation.

In the event of your appliance requiring service, or if you wish to purchase spare parts please contact your local Tricity Bendix Service Force Centre by telephoning:

08705 929929

The address of your local Service Force Centre is detailed on the following pages headed Tricity Bendix Service Force.

Before calling out an engineer, please ensure you have read the details under the heading 'Something Not Working?' and have the model number and purchase date to hand.

Please note that all enquiries concerning service should be addressed to your local Service Centre.

CUSTOMER CARE DEPARTMENT

For general enquiries concerning your Tricity Bendix cooker or for further information on Tricity Bendix products, you are invited to contact our Customer Care Department by letter or telephone as follows:

Customer Care Department
Tricity Bendix
PO Box 47
Newbury
Berkshire
RG14 5XL

Tel: (01635) 525542

To contact your local Tricity Bendix Service Centre telephone **08705 929929**

CHANNEL ISLANDS

| | |
|----------|--|
| GUERNSEY | Guernsey Electricity PO Box 4 Vale, Guernsey Channel Islands |
| JERSEY | Jersey Electricity Company PO Box 45 Queens Road St Helier Jersey Channel Islands JE4 8NY |

SCOTLAND

| | |
|---------------------------|--|
| ABERDEEN (M05) | 54 Claremont Street Aberdeen AB10 6RA |
| AUCHTERMUCHY (M03) | 33A Burnside Auchtermuchy Fife KY14 7AJ |
| BLANTYRE (M07) | Unit 5 Block 2 Auchenraith Ind Estate Rosendale Way Blantyre G72 0NJ |
| DUMFRIES (M01) | 93 Irish Street Dumfries Scotland DG1 2PQ |
| DUNOON (M67) | Briar Hill 7 Hill Street, Dunoon Argyll PA23 7AL |
| GLASGOW (M04) | 20 Cunningham Road Clyde Estate Rutherglen, Glasgow, G73 1PP |
| INVERNESS (M06) | Unit 3B Smithton Indust. Est. Smithton Inverness IV1 AJ |
| ISLE OF ARRAN (OWN SALES) | Arran Domestics Unit 4 The Douglas Centre Broddick Isle of Arran KA27 8AJ |
| ISLE OF BARRA (OWN SALES) | J Zerfah 244 Bruernish Isle of Barra Western Islands HS9 5QY |
| ISLE OF BUTE (M66) | Walker Engineering Glenmhor Upper Serpentine Road Rothsay Isle of Bute PA20 9EH |
| ISLE OF LEWIS (M69) | ND Macleod 16 James Street Stornoway Isle of Lewis PA87 2QW |
| KELSO (M08) | 2-8 Wood Market Kelso Borders TD5 7AX |

| | |
|----------------------|---|
| ORKNEY (M65) | Corsie Domestics 7 King Street Kirkwall Orkney KW15 |
| PERTH | Hydro Electric Inveralmond House Ruthvenfield Road Perth PH1 3AQ |
| PERTH (OWN SALES) | Graham Begg Unit 4 Airport Industrial Estate Wick KW1 4QS |
| SHETLAND (OWN SALES) | Tait Electronic Systems Ltd. Holmsgarth Road Lerwick Shetland ZE1 0PW |
| SHETLAND (OWN SALES) | Bolts Shetland Ltd 26 North Road Lerwick Shetland ZE1 0PE |
| WHALSAY (OWN SALES) | Leask Electrical Harrisdale Symbister, Whalsay Shetland ZE2 9AA |

NORTHERN IRELAND

| | |
|---------------|---|
| BELFAST (M27) | Owenmore House Kilwee Business Park Upper Dunmury Lane Belfast BT17 0HD |
|---------------|---|

WALES

| | |
|---------------------|--|
| CARDIFF (M28) | Guardian Industrial Estate Clydesmuir Road Tremorfa, Cardiff CF2 2QS |
| CLYWD (M14) | Unit 6-7 Coed - Parc Abergele Road Rhuddlan Clwyd Wales LL18 5UG |
| DYFED (M77) | Maes Y Coen High Mead Llanybydder Dyfed SA40 9UL |
| HAVERFORDWEST (M75) | Cromlech Lodge Ameriston Haverfordwest SA62 5DS |
| OSWESTRY (M17) | Plas Ffynnon Warehouse Middleton Road Oswestry SY11 2PP |

NORTH EAST

| | |
|-----------------------|---|
| GATESHEAD (M39) | Unit 356a Dukesway Court Dukesway Team Valley Gateshead NE11 0BH |
| GRIMSBY (M42) | 15 Hainton Avenue Grimsby South Humberside DN32 9AS |
| HULL (M41) | Unit 1 Boulevard Industrial Estate Hull HU3 4AY |
| LEEDS (M37) | 64-66 Cross Gates Road Leeds LS15 7NN |
| NEWTON AYCLIFFE (M45) | Unit 16 Gurney Way Aycliffe Ind Estate Newton Aycliffe DL5 6UJ |
| SHEFFIELD (M38) | Pennine House Roman Ridge Ind. Roman Ridge Road Sheffield S9 1GB |

NORTH WEST

| | |
|-------------------|--|
| BIRKENHEAD (M11) | 1 Kelvin Park Dock Road Birkenhead L41 1LT |
| CARLISLE (M10) | Unit 7 James Street Workshops James Street Carlisle Cumbria CA2 5AH |
| ISLE OF MAN (M64) | South Quay Ind Estate Douglas Isle of Man |
| LIVERPOOL (M15) | Unit 1 Honeys Green Precinct Honeys Green Lane Liverpool L12 9JH |
| MANCHESTER (M09) | Unit B Central Industrial Estate St Marks Street Bolton BL3 6NR |
| PRESTON (M13) | Unit 250 Dawson Place Walton Summit Bamber Bridge Preston Lancashire PR5 8AL |
| STOCKPORT (M16) | Unit 20 Haigh Park Haigh Avenue Stockport SK4 1QR |

To contact your local Tricity Bendix Service Centre telephone **08705 929929**

MIDLANDS

| | |
|----------------------------|---|
| BIRMINGHAM (M18) | 66 Birch Road East, Wyrley Road Industrial Estate Witton Birmingham B6 7DB |
| BOURNE (M44) | Manning Road Ind Estate Pinfold Road Bourne PE10 9HT |
| BRIDGNORTH (M72) | 1 Underhill Street Bridgnorth Salop WV16 4BB |
| GLOUCESTER (M23) | 101 Rycroft Street Gloucester GL1 4NB |
| HEREFORD (M31) | Unit 3 Bank Buildings Cattle Market Hereford HE4 9HX |
| HIGHAM FERRERS (M51) | 30 High Street Higham Ferrers Northants NN10 8BB |
| ILKESTON (M43) | Unit 2 Furnace Road Ilkeston DE7 5EP |
| LEICESTER (M22) | Unit 7 Oaks Industrial Estate Coventry Road Narborough Leicestershire LE0 5GF |
| LINCOLN (M40) | Unit 8 Stonefield Park Clifton Street Lincoln LN5 8AA |
| NEWCASTLE LYME (M12) | 18-21 Croft Road Brampton Industrial Estate Newcastle under Lyme Staffordshire ST5 0TW |
| NUNEATON (M21) | 19 Plarmigan Place Townsend Drive Nuneaton CV11 6RX |
| REDDITCH (M20) | 13 Thornhill Road North Moons Moat Redditch Worcestershire B98 9ND |
| TAMWORTH (M19) | Unit 3 Sterling Park Claymore Tamworth B77 5DO |
| WORCESTER (M73) | Unit 1 Northbrook Close Gregorys Mill Ind Estate Worcester WR3 8BP |

LONDON & EAST ANGLIA

| | |
|----------------------|---|
| BECKENHAM (M79) | 11a Gardener Indust Estate Kent House Lane Beckenham Kent BR3 1QZ |
| CHELMSFORD (M47) | Hanbury Road Widford Ind Estate Chelmsford Essex CM12 3AE |
| COLINDALE (M53) | Unit 14 Capitol Park Capitol Way Colindale London NW9 0EQ |
| ELTHAM (M78) | 194 Court Road Mottingham Eltham London SE9 4EW |
| ENFIELD (M49) | 284 Alma Road Enfield London EN3 7BB |
| GRAVESEND (M57) | Unit B4, Imperial Business Estate Gravesend Kent DA11 0DL |
| HARPENDEN (M46) | Unit 4 Riverside Estate Coldharbour Lane Harpenden AL5 4UN |
| LETCHEWORTH (M50) | 16-17 Woodside Ind Est. Works Road Letchworth Herts SG6 1LA |
| LONDON (M76) | 2/4 Royal Lane Yiewsley West Drayton Middlesex UB7 8DL |
| MAIDENHEAD (M60) | Reform Road Maidenhead Berkshire SL6 8BY |
| MOLESEY (M61) | 10 Island Farm Avenue West Molesey Surrey KT8 2UZ |
| NEWBURY (M24) | PO Box 5627 Newbury Berkshire RG14 5GF |
| IPSWICH (M48) | Unit 2B Elton Park Business Centre Hadleigh Road Ipswich IP2 0DD |
| NORWICH (M52) | 2b Trafalgar Street Norwich NR1 3HN |
| SUNBURY (M63) | Unit 1a The Summit Hanworth Road Hanworth Ind Estate Sunbury on Thames TW16 5D |

SOUTH EAST

| | |
|-------------------------|---|
| ASHFORD (M58) | Unit 2 Bridge Road Business Estate Bridge Road Ashford Kent TN2 1BB |
| FLEET (M59) | Unit 1 Redfields Industrial Estate Church Crookham Fleet Hampshire GU13 0RD |
| HAYWARDS HEATH (M55) | 21-25 Bridge Road Haywards Heath Sussex RH16 1UA |
| TONBRIDGE (M56) | Unit 30 Deacon Trading Estate Morley Road Tonbridge Kent TN9 1RA |

SOUTH WEST

| | |
|------------------------|--|
| BARNSTAPLE (M30) | P.O. Box 12 Barnstaple North Devon EX31 2YB |
| BOURNEMOUTH (M26) | 63-65 Curzon Road Bournemouth Dorset BH1 4PW |
| BRIDGEWATER (M35) | 6 Hamp Industrial Estate Bridgewater Somerset TA6 3NT |
| BRISTOL (M25) | 11 Eldon Way Eldonwall Trading Bristol Avon BS4 3QQ |
| EMSWORTH (M33) | 266 Main Road Southbourne Emsworth PO10 8JL |
| ISLE OF WIGHT (M34) | Unit 8 Enterprise Court Ryde Business Park Ryde Isle of Wight PO33 1DB |
| NEWTON ABBOT (M29) | Unit 2 Zealley Industrial Estate Kingsteignton Newton Abbot S. Devon TQ12 3TD |
| PLYMOUTH (M32) | 16 Faraday Mill Cattedown Plymouth PL4 0ST |
| REDRUTH (M36) | Unit 7D Pool Industrial Estate Wilson Way, Redruth, Cornwall TR15 3QW |

GUARANTEE CONDITIONS

Standard guarantee conditions

We, Tricity Bendix, undertake that if within 12 months of the date of the purchase this Tricity Bendix appliance or any part thereof is proved to be defective by reason only of faulty workmanship or materials, we will, at our option repair or replace the same FREE OF CHARGE for labour, materials or carriage on condition that:

- The appliance has been correctly installed and used only on the electricity supply stated on the rating plate.
- The appliance has been used for normal domestic purposes only, and in accordance with the manufacturer's instructions.
- The appliance has not been serviced, maintained, repaired, taken apart or tampered with by any person not authorised by us.
- All service work under this guarantee must be undertaken by a Tricity Bendix service centre.
- Any appliance or defective part replaced shall become the Company's property.
- This guarantee is in addition to your statutory and other legal rights.

Home visits are made between **8.30am** and **5.30pm** Monday to Friday. Visits may be available outside these hours in which case a **premium** will be charged.

Exclusions

This guarantee does not cover:

- Damage or calls resulting from transportation, improper use or neglect, the replacement of any light bulbs or removable parts of glass or plastic.
- Costs incurred for calls to put right an appliance which is improperly installed or calls to appliances outside the United Kingdom.
- Appliances found to be in use within a commercial environment, plus those which are subject to rental agreements.
- Products of Tricity Bendix manufacture which are not marketed by Tricity Bendix.

European Guarantee

If you should move to another country within Europe then your guarantee moves with you to your new home subject to the following qualifications:

- The guarantee starts from the date you first purchased your product.
- The guarantee is for the same period and to the same extent for labour and parts as exists in the new country of use for this brand or range of products.
- This guarantee relates to you and cannot be transferred to another user.
- Your new home is within the European Community (EC) or European Free Trade Area.
- The product is installed and used in accordance with our instructions and is only used domestically, i.e. a normal household.
- The product is installed taking into account regulations in your new country.

Before you move please contact your nearest Customer Care centre, listed below, to give them details of your new home. They will then ensure that the local Service Organisation is aware of your move and able to look after you and your appliances.

| | | |
|---------|-----------|----------------------|
| France | Senlis | +33 (0)3 44 62 28 28 |
| Germany | Nürnberg | +49 (0)911 323 2600 |
| Italy | Pordenone | +39 (0)1678 47053 |
| Sweden | Stockholm | +46 (0)20 78 77 50 |
| UK | Newbury | +44 (0)1635 525 542 |

RATING PLATE REFERENCE

| MAKE AND MODEL NO. | PRODUCT NO. | SERIAL NO. | DATE OF PURCHASE |
|--------------------|-------------|------------|------------------|
| | | | |

IMPORTANT NOTICE

In line with our continuing policy of research and development, we reserve the right to alter models and specifications without prior notice.

This handbook is accurate at the date of printing, but will be superseded and should be disregarded if specifications or appearance are changed.



TRICITY BENDIX, PO BOX 47, NEWBURY, BERKSHIRE, RG14 5XL
TELEPHONE (01635) 525542

MODEL NO.
SI 221



PART NO.
311300610

Free Manuals Download Website

<http://myh66.com>

<http://usermanuals.us>

<http://www.somanuals.com>

<http://www.4manuals.cc>

<http://www.manual-lib.com>

<http://www.404manual.com>

<http://www.luxmanual.com>

<http://aubethermostatmanual.com>

Golf course search by state

<http://golfingnear.com>

Email search by domain

<http://emailbydomain.com>

Auto manuals search

<http://auto.somanuals.com>

TV manuals search

<http://tv.somanuals.com>