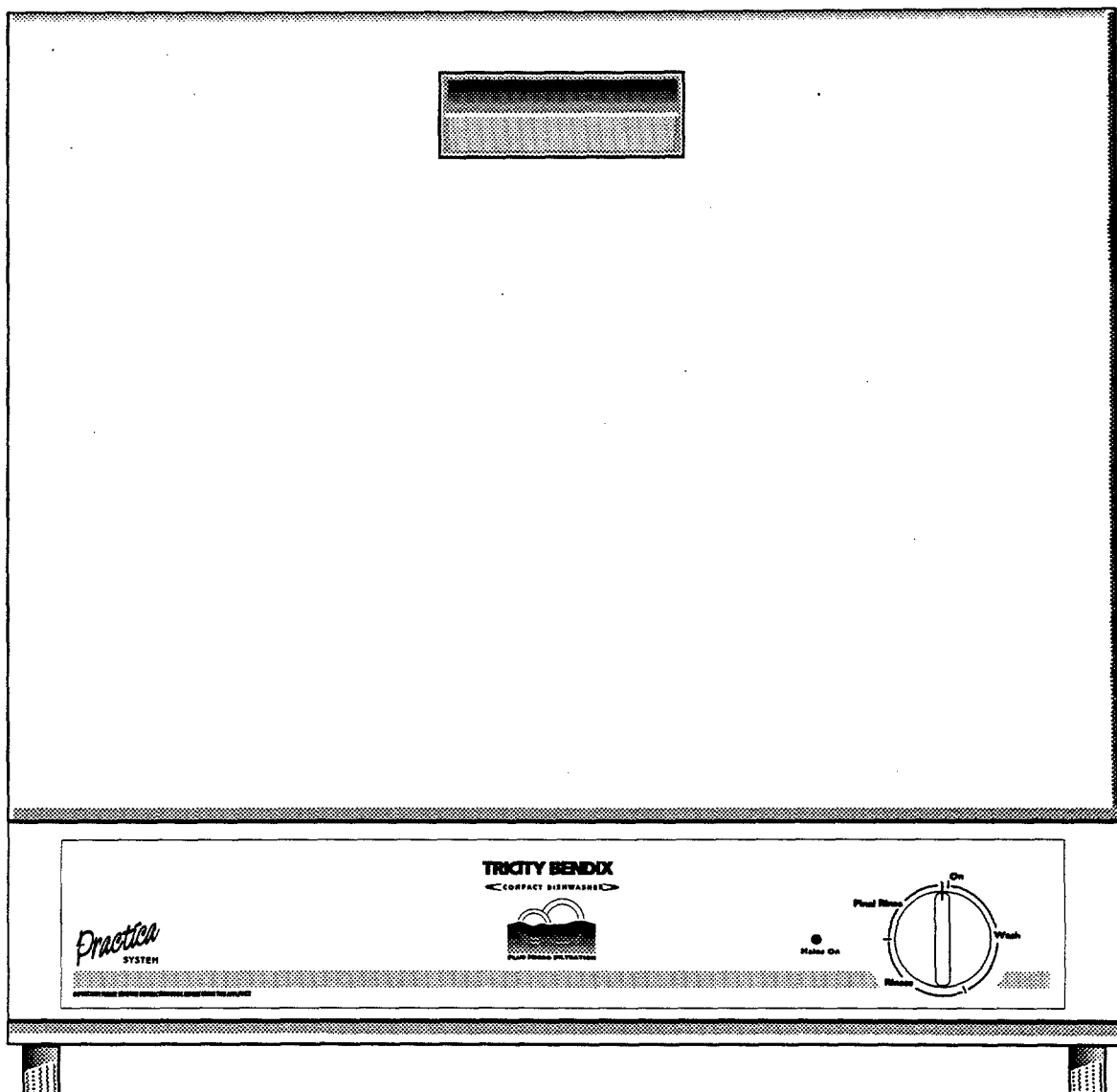


TRICITY BENDIX

Better Products. Better Value.



COMPACT DISHWASHER

INSTRUCTION BOOKLET

MODEL NO

DH040

IT IS MOST IMPORTANT THAT THIS INSTRUCTION BOOK SHOULD BE RETAINED WITH THE APPLIANCE FOR FUTURE REFERENCE. SHOULD THE APPLIANCE BE SOLD OR TRANSFERRED TO ANOTHER OWNER, OR SHOULD YOU MOVE HOUSE AND LEAVE THE APPLIANCE, ALWAYS ENSURE THAT THE BOOK IS SUPPLIED WITH THE APPLIANCE IN ORDER THAT THE NEW OWNER CAN BE ACQUAINTED WITH THE FUNCTIONING OF THE APPLIANCE AND THE RELEVANT WARNINGS.

These warnings are provided in the interest of safety. You MUST read them carefully before installing or using the appliance.

- This appliance is designed to be operated by adults. Children should not be allowed to tamper with the controls or play with the product.
- Any electrical work required to install this appliance should be carried out by a qualified electrician or competent person.
- This product should be serviced by an authorised Tricity Bendix Service Centre, and only genuine Tricity Bendix spare parts should be used.
- It is dangerous to alter the specification or modify the product in any way.
- Care must be taken to ensure that the appliance does not stand on the electrical supply cable.
- Any plumbing work required to install this appliance should be carried out by a qualified plumber or competent person.
- Unplug the appliance and turn off the water after use.
- Tricity Bendix dishwashers are designed to be used for washing normal household utensils. Items that are contaminated by petrol, paint, steel or iron debris, corrosive, acidic or alkaline chemicals are not to be washed in a dishwasher.
- When finishing loading or unloading close the door, as an open door can be a hazard.
- If your house is fitted with a water softening unit, it is not necessary to add salt to the water softening unit in the dishwasher.
- Do not put in your dishwasher: Cutlery with wooden or horn handles or glued parts, bronze cutlery, saucepans with wooden handles unless they are sold as dishwasher proof, aluminium ware, crystal ware, leaded glass, plastic articles, antique china or fine decorated china unless sold as dishwasher proof. Always check with the manufacturer of the item if in any doubt.
- A chemical reaction can occur between silver cutlery and stainless steel cutlery. As a precaution do not wash together.
- Under no circumstances should you open the door whilst the appliances is in operation. Always turn off the appliance before opening the door.
- Care should be taken when cleaning the bottom door seal and hinges as any exposed metal edges may cut if care is not taken.
- Ensure the dishwasher is installed on a secure and level surface.
- Under no circumstances should you attempt to repair the appliance yourself. Repairs carried out by inexperienced persons may cause injury or more serious malfunctioning. Refer to your local Tricity Bendix Service Centre. Always insist on genuine Tricity Bendix spare parts.

CONTENTS

Warnings	3
Contents	5
Technical Specifications	5
General advice	6
Positioning and Installation	7
Care and cleaning	10
Using your machine	13
How to load the dishwasher	14
Test the machine by running a cycle	15
Maintenance and cleaning	16
Servicing	17
Twelve months guarantee	18
After sales Service - Service Centre Adresses	19

TECHNICAL SPECIFICATIONS

Capacity:	4 (standard IEC place settings) + 4 cups
Dimensions:	Width 450 mm, Height 460 mm, Depth 480 mm
Weight:	15 kg (net) 20 kg (gross)

ELECTRICITY

Voltage:	240V, single-phase, 50 Hz
Fuse:	13 A
Mains lead:	Length 1.7 m with plug for connection to 240V earthed socket.
Rating heating element:	1300 W
Total:	1380 W

WATER SUPPLY

Water pressure:	Min 5 psi Max 150 psi
Temperature:	Max. 65°C

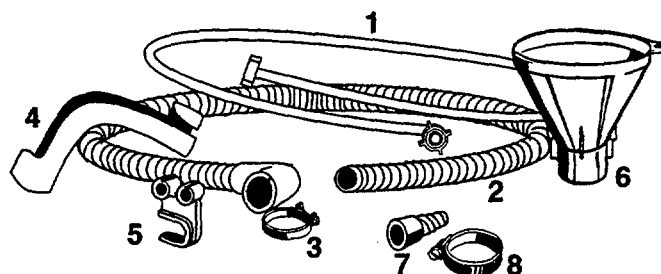
This appliance complies with E.E.C. directive Np. 87/308 of 2.6.87 relative to radio interference suppression.

GENERAL ADVICE

Remove all packaging before positioning the machine.

Check that the following accessories are supplied with the dishwasher when you unpack it:

- Inlet hose (1)
- Discharge hose (2)
- Hose clip (3) for discharge hose on dishwasher.
- Elbow for discharge hose (4)
- Hose holder (5)
- A funnel for filling with salt (6)
- A rubber nozzle for the discharge hose (7)
- Hose clip for the rubber nozzle (8)



DAMAGE IN TRANSIT

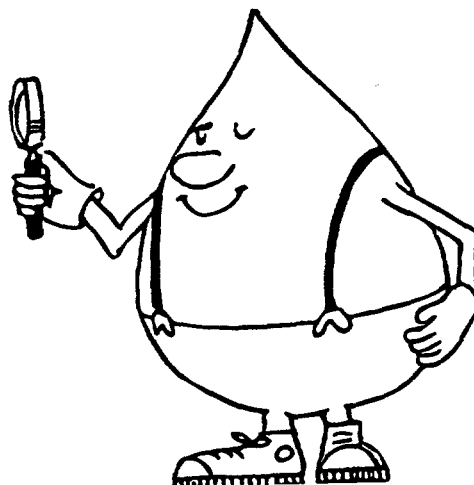
If you discover that the machine has suffered any damage in transit to you, this should be reported as soon as possible to whoever is responsible for its transportation. Please note that the guarantee does not cover damage caused by transportation.

APPLICATIONS

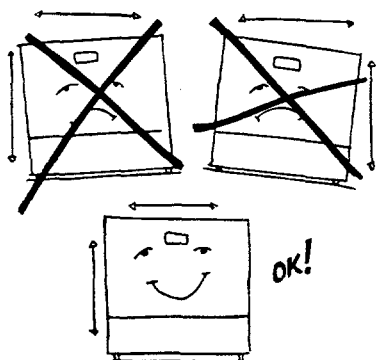
This dishwasher is designed for washing household utensils only. Using it for other purposes may damage it and invalidate the guarantee.

FROST PRECAUTIONS

Avoid placing the machine in a location where the temperature is below 0°C. If this is unavoidable, empty the machine, close the water inlet tap, disconnect the water inlet pipe and empty it.



POSITIONING AND INSTALLATION



The dishwasher is intended for installation on a kitchen sink or worktop. It is important to ensure the dishwasher is level to avoid any difficulty opening and closing the door. Its height can be adjusted with the adjustable feet (8 mm each) in each corner of the dishwasher.

WATER SUPPLY

The dishwasher should be permanently plumbed into a separate hot or cold water supply. A kit can be purchased from any good plumbers' merchants, or your local Tricity Bendix Service Centre.

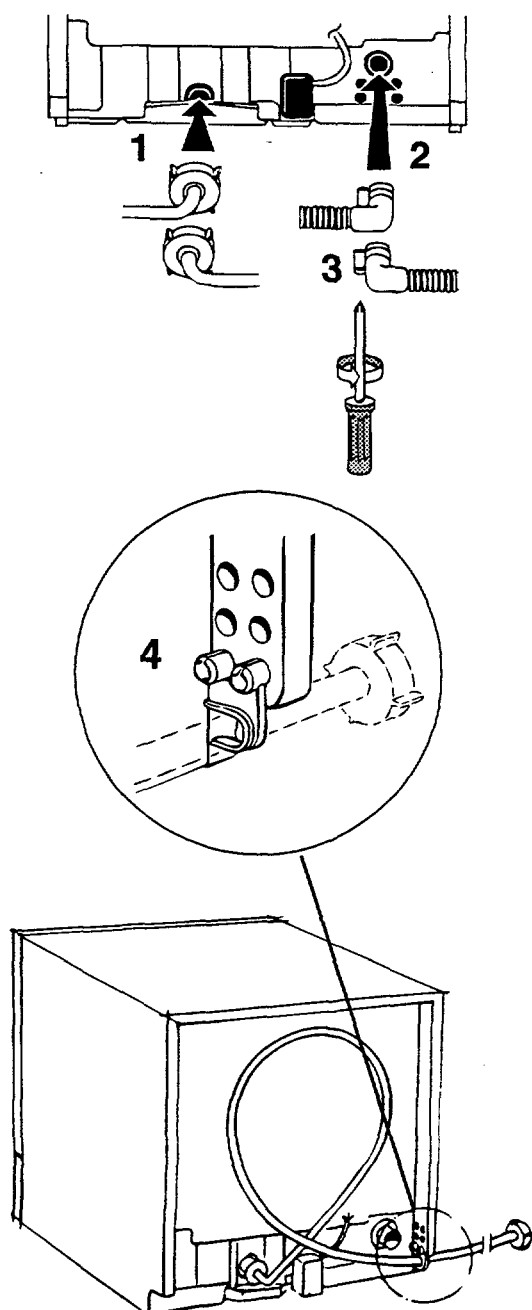
The water pressure must be within the limits given in the technical specifications, as it will not function correctly if pressure is outside these specifications.

Your local Water Authority will advise you on the average mains pressure in your area. Where the water is supplied from a cold water cistern you can work out the pressure yourself by measuring the vertical distance (or 'Head') between the machine's inlet hose, and the outlet from the cold water storage cistern; allowing .86 psi for every 2 feet under normal conditions.

We would advise you to have a shut-off valve or stopcock in the water supply pipe close to the dishwasher and accessible for easy use. This should be turned off when the appliance is not in use.

The inlet hose is 1.5 m long, and it must not be cut (shortened). Make sure that the black rubber washers are in place in the ends of the hose before you connect them.

First connect the angled end of the inlet hose (1) to the inlet valve at the rear of the machine, then connect the other end to the water supply. If the hose is too long, it should not be cut (shortened) under any circumstances. Instead curl it around in a loop and pull it through the holder supplied (4), which should be fitted into the bottom two holes on either the left or the right side wall of the machine. Then pull the hose out to a suitable length. Once you have finished adjusting the hose length, check that the connections at both ends are tight and do not leak.



DISCHARGE CONNECTION

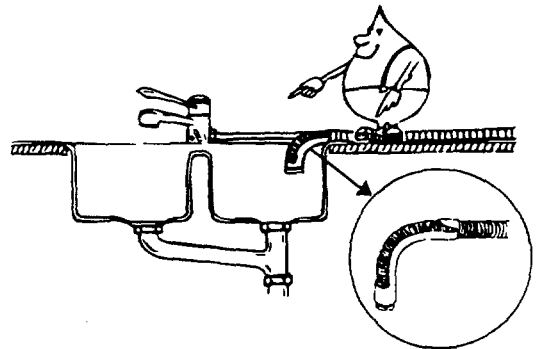
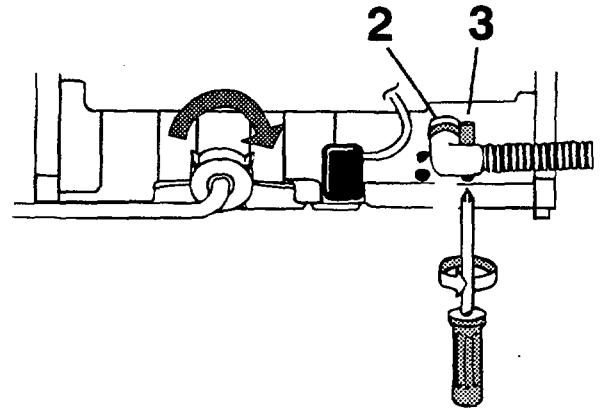
The grey discharge hose should be permanently plumbed in. If this is not possible, it can be placed in the sink to drain. Don't forget that the water will come out with some force, so position the pipe so that the force of the water will not push the hose out of the sink. Ensure the sink outlet is not blocked.

Connect the discharge hose to the pipe stub at the rear of the dishwasher, using the hose clip supplied. It is important to push the discharge hose (2) onto the pipe stub as far as it will go and tighten the hose clip (3) as hard as possible. Make sure that the hose clip is pushed as far towards the cabinet as possible in order that it is covering both pipes completely. If you are draining directly into the sink, there is an angled piece supplied which should be fitted over the pipe to support it.

The discharge hose must not at any point rise higher than the top of the dishwasher. If it runs higher, operation of the dishwasher might be impaired. It is also important to ensure that the inside diameter of the hose is not less than 13 mm at any point. If the discharge hose is too long it can easily be cut to the right length.

- Cut the hose to a suitable length, using a sharp knife.
- Fit the elbow supplied onto the end of the hose.

Do not extend the hose under any circumstances as this could affect the operation of the dishwasher.



ELECTRICAL CONNECTION

WARNING: THIS APPLIANCE MUST BE EARTHED.

The manufacturer declines any liability should this safety measure not be observed.

If the plug that is fitted to your appliance is not suitable for your socket outlet, it must be cut off and the appropriate plug fitted.

Remove the fuse from the cut off plug.

The cut off plug should then be disposed of to prevent the hazard of shocks in case it should be plugged into a 13amp socket in another part of your home.

Important

The wires in the mains lead are coloured in accordance with the following code:

Green and Yellow	Earth
Blue	Neutral
Brown	Live

If you fit your own plug, the colours of the wires in the mains lead of your appliance may not correspond with the markings identifying the terminals in your plug, proceed as follows:

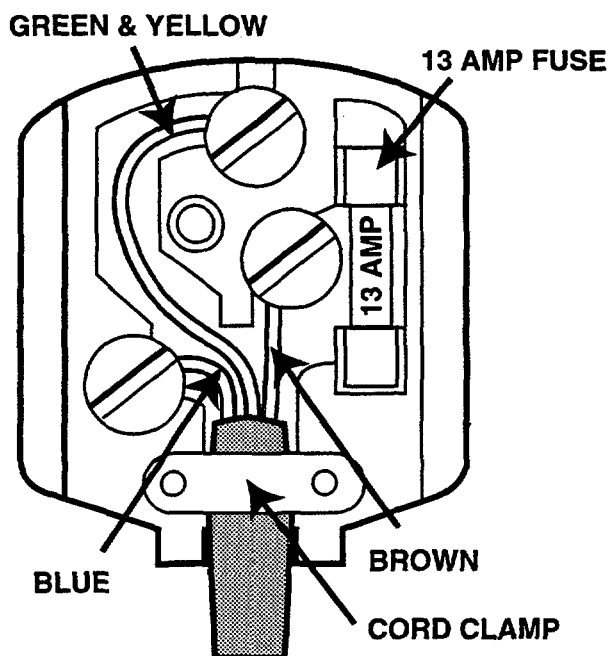
- Connect the **Green and Yellow** (earth) wire to the terminal in the plug which is marked with the letter «E» or the earth symbol \oplus , or coloured green and yellow.
- Connect the **Blue** (neutral) wire to the terminal in the plug which is marked with the letter «N» or coloured black.
- Connect the **Brown** (live) wire to the terminal in the plug which is marked with the letter «L» or coloured red.

The plug moulded onto the lead incorporates a fuse. For replacement, use a 13amp BS1362 fuse. Only ASTA or BSI approved fuses should be used.

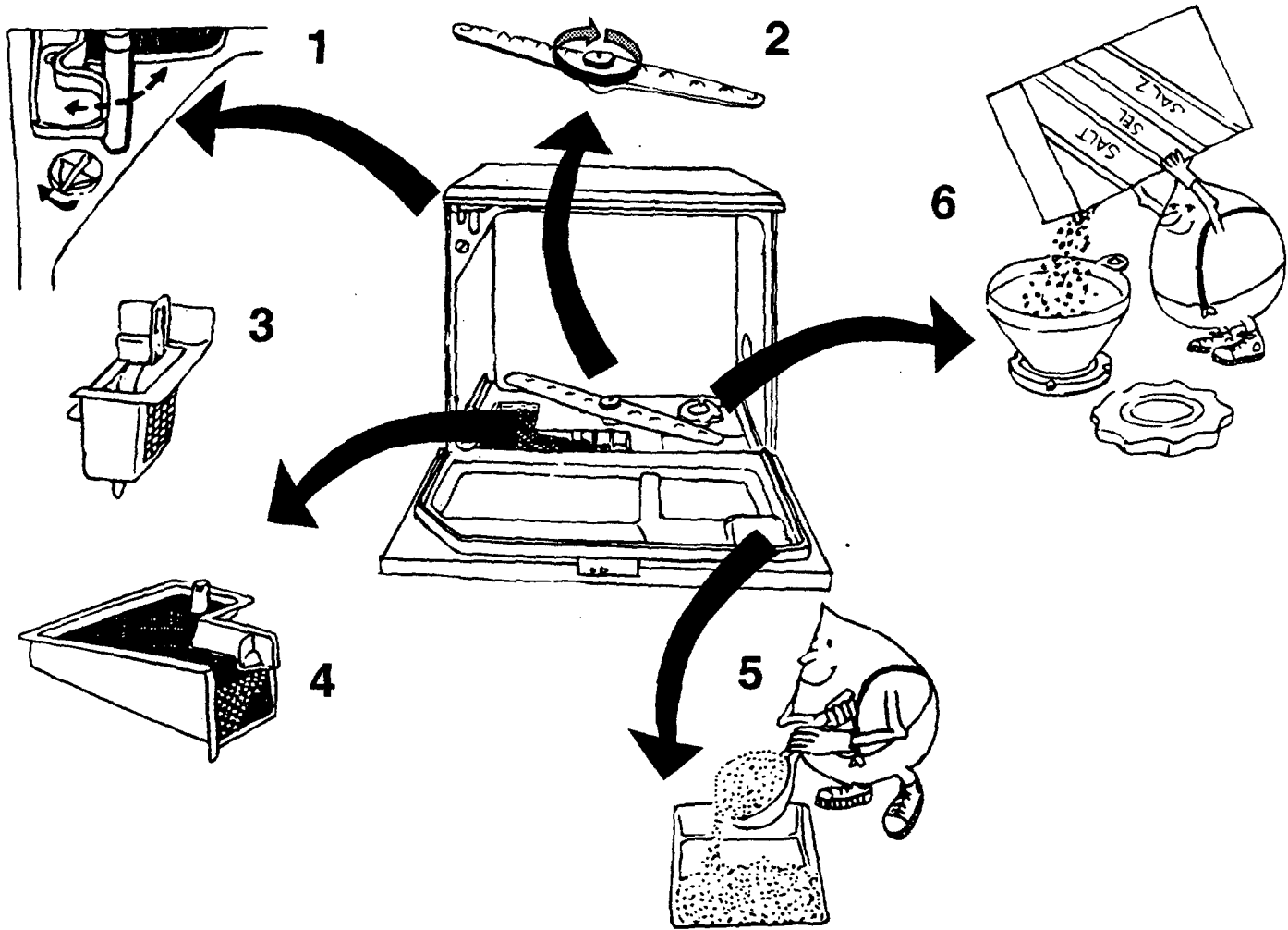
The plug must not be used if the fuse cover/carrier is lost. The cover/carrier is indicated by the coloured insert at the base of the plug.

A replacement cover/carrier must be obtained from your local Tricity Bendix Service Centre whose address is listed at the rear of this book.

Please ensure that when the appliance is installed it is easily accessible for the engineer in the event of a breakdown.



CARE AND CLEANING



RINSE AID DISPENSER (1)

Use of rinse aid will result in faster drying of the load and gives the dishes a shiny finish. It may be necessary to adjust the quantity of rinse aid dispensed if you live in either a very hard water or a very soft water area. More is needed for hard water and less for soft water. Leave the dispenser in its preset position when you first use the dishwasher and only adjust if, after a few cycles, you notice the following:

- Crockery remaining dull looking and/or showing occasional round spots. If this happens, increase the quantity of rinse aid by turning the red dial below the filter trough clockwise.
- Crockery feeling sticky or showing whitish spots. If this happens, decrease the quantity of rinse aid by turning the red dial below the filler trough anti-clockwise.

The dispenser holds about 140 ml. This is enough for 40-70 wash cycles, depending on the dosage setting. When the rinse aid level is approaching the bottom of the scale it is time to refill the dispenser. Swivel out the filler trough and carefully fill up with rinse aid until the level reaches up to the red mark on the level indicator tube. Do not overfill, and carefully wipe off any spillage with a damp cloth immediately. Don't forget to close the filler trough afterwards. Note! Do not fill the rinse aid dispenser with liquid detergent.

SPRAY ARM (2)

It is important to keep all the holes in the spray arm clear. If the spray arm become blocked this will affect washing efficiency. If the spray arm needs cleaning, unscrew the nut clockwise (left-hand thread) and lift off the spray arm. Clear the holes and shake out any food particles.

COARSE STRAINER (3)

The purpose of the coarse strainer is to catch large objects such as toothpicks and pieces of eggshell. Make sure that the strainer is always clean. Lift it out and rinse it under running water whenever necessary.

FINE FILTER (4)

It is just as important to keep this filter clean. A dirty or clogged filter will impair washing efficiency. The fine filter can easily be lifted out for cleaning when you have removed the coarse strainer.

DETERGENT DISPENSER (5)

Before starting any of the dishwashing programmes, load the detergent in the compartment.

Unsuitable detergents (such as those for washing by hand) do not contain the right ingredients for machine washing and hamper correct functioning of the dishwasher.

Add the detergent after loading the machine. Pour the detergent into the compartment. The recommended amount of detergent is 15 g.

Since not all detergents are the same, you should also consult the instructions on the packet. Remember that insufficient quantities of detergent will produce poor washing results whereas an excessive amount of detergent does not improve washing results and is also wasteful. Using the correct amount of detergent also contributes to reducing pollution.

WATER SOFTENER (6)

This dishwasher is equipped with a water softener for hard (chalky) water, therefore the rinse aid dispenser should be set for a low dosage.

The lime (chalk) in hard water causes white deposits to occur on dishes and the interior of the dishwasher. To prevent this, the water has to pass through a special container where its hardness is removed. Since the water softener consumes coarse dishwasher salt, you will have to replenish the salt container after a certain number of dishwashing cycles.

The salt container is on the right hand side of the base of the dishwasher, towards the back. To remove the cap, turn anti-clockwise and lift off.

Proceed as follows:

- Fill up with water(only the first time) and afterwards with coarse dishwasher salt. Ordinary domestic salt will affect the efficiency of the water softener and damage it. Use the funnel supplied with the dishwasher. Water will come out of the container as you fill with salt. This is normal. You will need about 1.3 kg of salt to start with, you should see the level of salt near the top of the container. This is enough for about 20 - 30 dishwashing cycles.
- Remove the funnel and replace the cap,
- When the machine is in operation, the salt container should be topped up after approximately 20-30 washes. Always ensure there is water in the salt container before filling salt.

Caution

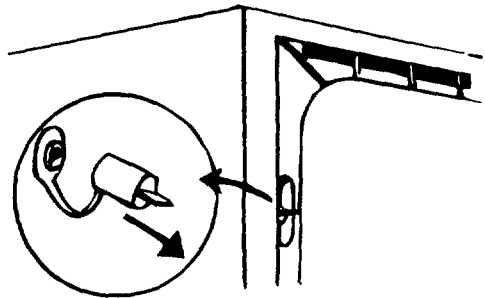
Only fill with salt just before starting one of the completewashing programmes. This will prevent any grains of salt or salty water, which may have been spilled, remaining in the bottom of the machine for any period of time, This could cause corrosion.

WATER SOFTENER PLUG

As supplied from the factory, the water softener is set for a water hardness of up to 20°dH (28°tH). If your water is harder than this, you can increase the capacity of the water softener by pulling out the rubber plug at the rear of the dishwasher on the left hand side viewed from the back. See illustration.

Contact your local Water Authority to find the exact water hardness level for your area.

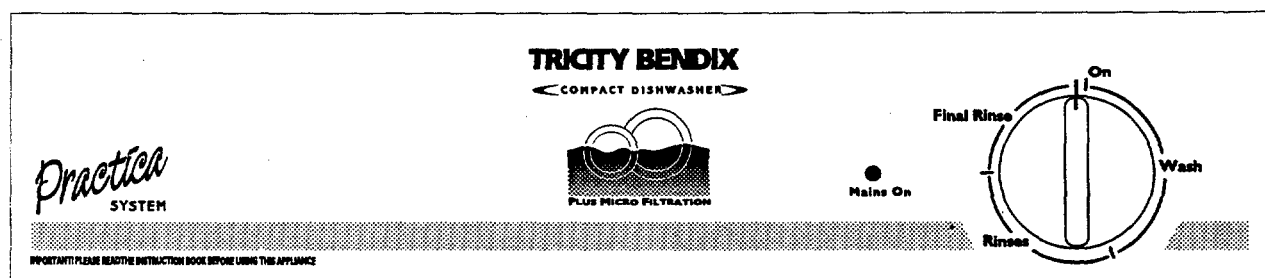
Never run the dishwasher without salt in the container as this may damage the water softener. If the damage is slight, the water-softener function can be partially restored by filling the container with salt and then running the Normal cycle 4-5 times.



USING YOUR MACHINE

Approximate consumption levels of electricity and water are given in the following table.

CONSUMPTION PER CYCLE					
SETTING	Cold water supply at 15°C		Hot water supply at 60°C		
Cycle temperature	Energy kWh	Time mins	Energy kWh	Time mins	Water litres
65°C	0.8	58	0.3	32	13



STARTING THE MACHINE

To start the machine:

- Plug in the dishwasher to the mains supply
- Turn programme selector to symbol for starting position (See illustration)

Note! The programme selector must only be turned in the direction indicated by the arrow (clockwise).

ON/OFF SWITCH

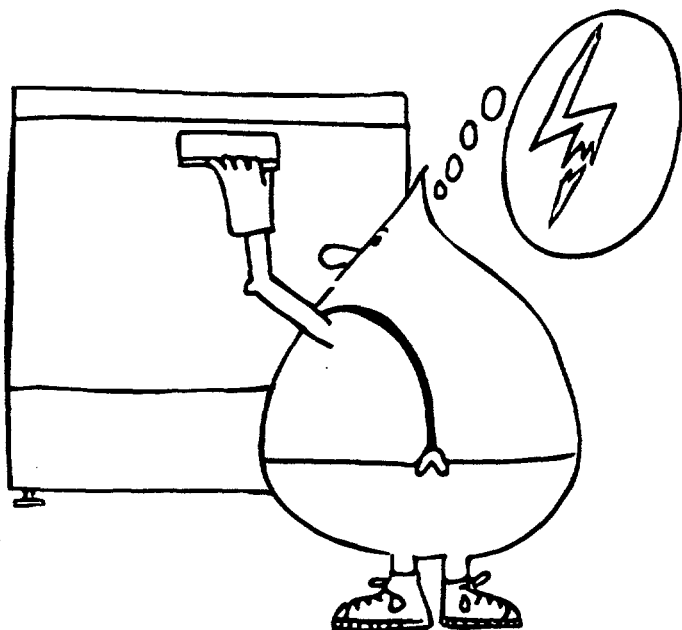
The ON/OFF switch is built into the programme selector. The light goes out when the machine has completed the wash cycle. To isolate the dishwasher from the mains completely, unplug it from the wall socket

CYCLE SEQUENCE LAMP

The lamp indicates that the wash cycle is on.

DOOR LOCK

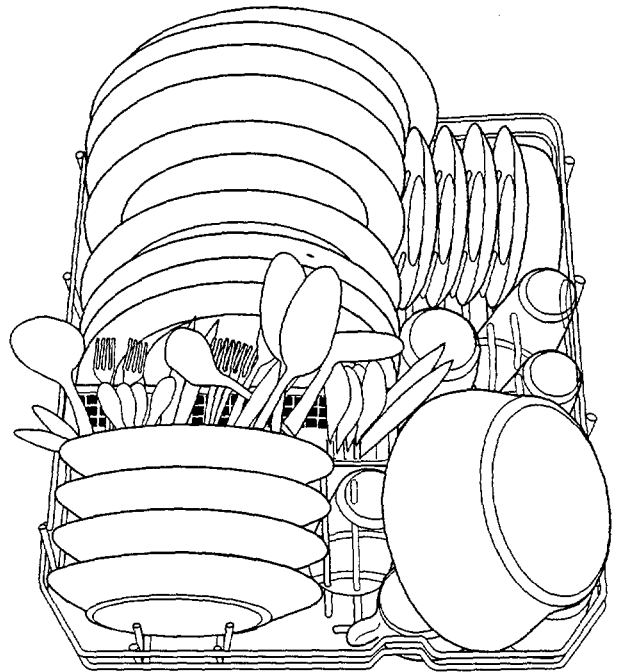
To open the door, press the handle down. Avoid opening the door when the machine is running.



HOW TO LOAD THE DISHWASHER

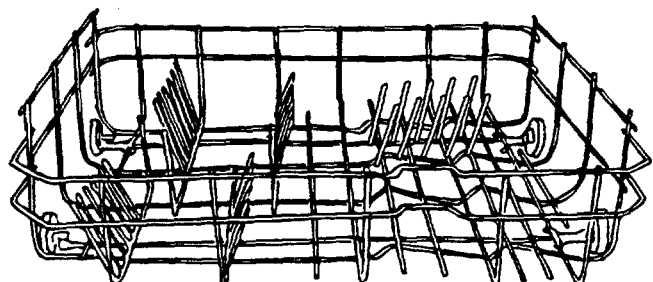
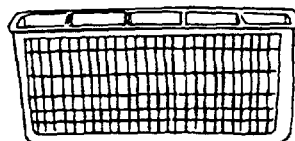
The illustration shows the machine loaded with four standard place settings. Your own dishes are not likely to be identical to this load, but if you follow the advice below we are sure you will be pleased with the results.

- Always place glasses, cups and bowls upside down.
- Incline deep dishes (soup plates etc.) so that the water can run off when drying.
- Make sure that the dishes do not rest against each other. This is particularly important in regard to the cutlery basket - nested spoons, etc. simply cannot be properly washed. **MAKE SURE THAT THE WATER CAN GET AT ALL THE SOILED SURFACES.**
- Make sure that cutlery with slender handles and other items do not protrude through the openings in the basket and prevent the spray arm from rotating.
- Never put silver and stainless steel objects together. When these metals come into contact with each other a chemical reaction occurs which stains the silver.
- China with a pattern applied on top of the glaze may not be suitable for machine washing as the colours may fade and lose their lustre. The same applies to cutlery with wooden or plastic handles.



ALWAYS BUY ARTICLES THAT ARE MACHINE WASHABLE IN FUTURE.

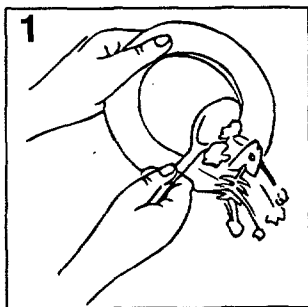
- Not all plastic articles are machine washable. If you are in doubt as to whether your plastic-ware can be washed in the machine, we suggest you check by washing a single item or else wash them by hand.
- Aluminium becomes dull and tarnished when machine washed. The machine gets it clean, but at the expense of its appearance.
- Substances such as ketchup containing strong colouring agents can cause temporary discoloration in the machine.



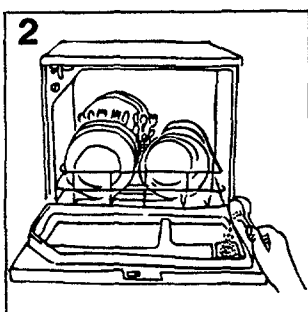
RACK AND BASKET

- 1 Cutlery basket
- 2 Dish rack

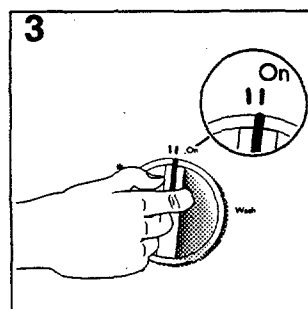
TEST THE MACHINE BY RUNNING A CYCLE



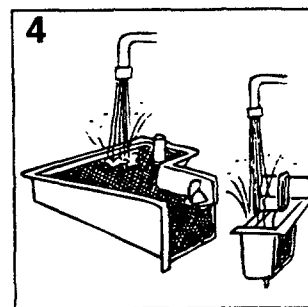
1 Scrape off solid food remnants.



2. Load the dishwasher.
(See page 16: "How to load the dishwasher").
Pour approx 15 g detergent into the detergent compartment inside the door. If the dishes are normally or heavily soiled add an extra 5 g anywhere on the inside of the door. Close the door.



3. Plug in the dishwasher
Start the dishwasher by turning the programme knob to the "On" position.



4. At the end of the programme switch off the dishwasher by turning the programme knob until the programme knob is in vertical position in line with the thick market on the facia. When the crockery has been removed, clean the filters and turn off the water supply.

Tricity Bendix recommend the use of Finish Dishwasher Powder.

MAINTENANCE AND CLEANING

Important

Make sure that the machine is unplugged and the water turned off before undertaking any kind of maintenance.

General cleaning

Inspect the filters and spray arm nozzle before re-loading the machine and remove any food scraps. Wipe round the rubber gasket at the bottom of the door to remove grease which tends to collect there.

Cleaning the filters

There are two filters, a coarse one and a fine one which should be cleaned after every wash. Lift out these filters which are in the base of the dishwasher and wash under running water.

CAUTION

The dishwasher must not be used without the filters. Incorrect repositioning of the filters will produce poor washing results.

Cleaning of the filters is vital to ensure correct operation of the machine

Cleaning the spray arm nozzle

The holes in the spray arm nozzle must be kept free of scraps for the efficiency of the washing action. Inspect the spray arm regularly. When thorough cleaning is necessary, remove the spray arm by unscrewing the nut clockwise (it has a left-handed thread) and lift off the spray arm.

Wash the spray arm with hot soapy water using a stiff saucepan brush if necessary to remove scraps.

Re-assemble carefully, making sure the nut is secure.

Cleaning the cabinet

Wipe the outside of the cabinet and control panel regularly with a soft damp cloth. When necessary, use liquid kitchen or household cleaner to remove stubborn marks, rinse with a damp cloth and rub up with a soft duster.

Never use abrasive cleaners which could damage the surface, ie: scouring pads or solvents (acetone, trichloroethylene, etc).

If the machine is not going to be used for some time, take the following precautions:

- Unplug the machine and turn off the water supply.
- Fill up the rinse aid container.
- Make sure the tub is clean by carrying out a wash programme (without any crockery) using Finish Dishwasher cleaner, then dry the inside thoroughly.
- Leave the door ajar.

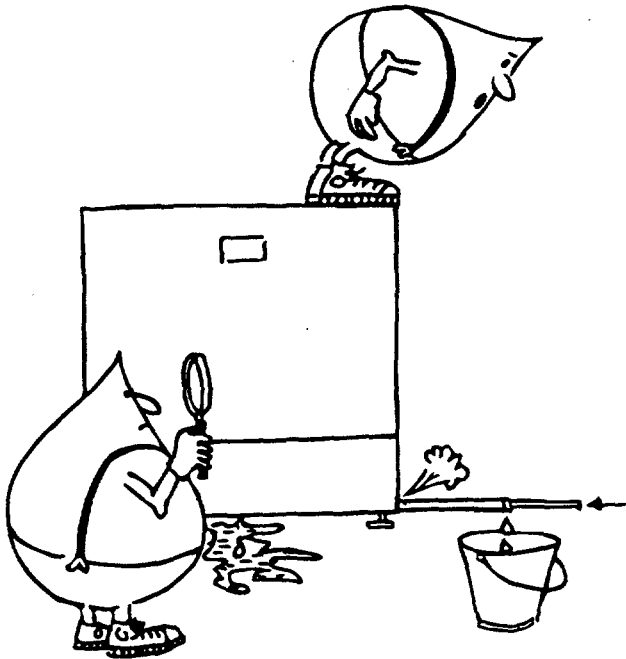
Moving the machine

If you have to move the machine (you are moving house, etc):

- unplug it
- Turn off the water tap
- Remove the water inlet and discharge hoses

CAUTION

Avoid tilting the machine during transportation.



Certain problems are due to lack of simple maintenance or oversights and can be solved easily without having to call out an engineer.

The machine will not start

- The door has not been properly closed.
- The plug is not properly inserted in the power socket.
- There is no current at the socket. Check the fuse.

The machine will not fill with water

- The water tap is shut
- The water supply has been cut off
- The inlet hose is kinked
- The water inlet hose filter is clogged

The machine will not drain

- The drain hose is kinked
- The sink drain is blocked
- The drain hose extension is not correct
- There is no air vent in the end of the drain hose

The dishes are not clean (poor wash)

- The baskets are too full
- The dishes have not been arranged properly
- The spray arm does not rotate
- The spray arm holes are clogged
- The filters are clogged
- The filters are not in position
- Not enough detergent has been used or it is unsuitable

- The detergent is old or has gone hard
- The salt container cap is not properly closed
- The end of the drain hose is submersed in waste water (in the sink)

Visible lime deposits or white film on the dishes

- There is no salt or the softener has not been adjusted to the hardness of the water
- The rinse aid has run out or too little is being used

The machine is noisy

- The dishes are rattling against each other
- The spray arm is knocking against the dishes

The dishes are not quite dry

- The dishes have been left too long inside the machine

The door is difficult to close

- The dishwasher is not level.

Never attempt to repair the dishwasher yourself. Repairs carried out by unauthorised or inexperienced persons can cause injury or serious malfunctioning.

If after the above checks, the fault persists, call your nearest Tricity Bendix Service Centre, indicating the fault, the appliance model, the product number and the serial number.

Before calling, make a note of the details on the data plate affixed to the rear of the dishwasher.

Note the following details:

Manufacturer:

Date of purchase:

Model:

Product number:

Serial number:

TWELVE MONTHS GUARANTEE

Tricity Bendix guarantee conditions

This guarantee is in addition to your statutory and other legal rights which will not be excluded or in any way diminished by the return of this guarantee card.

We, Tricity Bendix., undertake that if, within twelve months of the date of the purchase, this Tricity Bendix appliance or any part thereof is proved to be defective by reason only of faulty workmanship or materials, the company will, at its option, repair or replace the same **FREE OF ANY CHARGE** for labour, materials or carriage on conditions that:

- The appliance has been correctly installed and used only on the electricity supply stated on the rating plate.
- The appliance has been used for normal domestic purposes only, and in accordance with the manufacturer's operating and maintenance instructions.
- The appliance has not been serviced, maintained, repaired, taken apart or tampered with by any person not authorised by us.
- The appliance is still in the possession of the original purchaser
- All service work under this guarantee must be undertaken by a Tricity Bendix Service Centre.
- Any appliance or defective part replaced shall become the property of this company.

Home visits are made between 8.30 am and 5.30 pm Monday to Friday. Visits may be available outside these hours in which case a premium will be charged.

Exclusions

This guarantee does not cover:

- Damage or calls resulting from transportation, improper use or neglect, the replacement of any light bulbs or removable parts of glass or plastic.
- Costs incurred for calls to put right an appliance improperly installed or calls to appliances outside the UK.
- Appliances found to be in use within a commercial or similar environment, plus those which are the subject to rental agreements.
- Products of Tricity Bendix manufacture which are NOT marked by Tricity Bendix.
- EEC Countries - The standard guarantee is applicable but subject to the owner's responsibility and cost to ensure the appliance meets the standards set by the country to which the product is taken. The Electrolux company in the country concerned will be pleased to advise further. Sight of your purchase receipt will be required by them.

AFTER SALES SERVICE - SERVICE CENTRE ADDRESSES

CENTRE	POSTAL DISTRICTS	SERVICE APPOINTMENTS	ADDRESS
ABERDEEN	AB	0244-696569	Tricity Bendix After Sales Service Northeast Appliance Service 8 Comhill Arcade Aberdeen AB2 5UT
ARGYLLE	PA 24-61	0505-321316	Tricity Bendix After Sales Service T.D.C. Refrigeration 40 Arran Place Linwood Renfrewshire PA3 3QU
BARNSTAPLE	EX 18-23	0271-328826	Tricity Bendix After Sales Service McBain Refrigeration Unit 4 Upcott Avenue Pottington Industrial Estate Barnstaple Devon EX31 1HN
BORDERS	TD	0573-224411	Tricity Bendix After Sales Service James Stuart & Son 2-8 Wood Market Kelso Borders TD5 7AX
BOURNE	PE1-15 PE34, 38 NG31-34	0778-394424	Tricity Bendix After Sales Service Bourne Electrical Pinfold Road Manning Road Industrial Estate Bourne Lincolnshire PE10 9HT
CANVEY	E EC EM N MW W WC AL CB HA HP LU MK SG UB WD IP NR CM CO IG RM SS PE16-19, 30-33, 35-37	081-443-3464 081-965-9699 081-965-9699 0268-694144 0286-694144	Tricity Bendix After Sales Service 2-4 Sandhurst Kings Road Canvey Island SS8 0QY
CARDIFF	CF NP1-4, 6, 9-44 SA1-18 SA21-32	0222-460131	Tricity Bendix After Sales Service Guardian Industrial Estate Clydesmuir Road Tremorfa Cardiff CF2 2QS
CUMBRIA	CA	0288-594747	Tricity Bendix After Sales Service E.T.B. Services Carlisle Enterprise Centre James Street Carlisle CF2 5AP
DUMFRIES & GALLOWAY	DG1-14	03867-65166	Tricity Bendix After Sales Service Allan Crossan (Service) 93 Irish Street Dumfries Scotland DG1 2PQ

Free Manuals Download Website

<http://myh66.com>

<http://usermanuals.us>

<http://www.somanuals.com>

<http://www.4manuals.cc>

<http://www.manual-lib.com>

<http://www.404manual.com>

<http://www.luxmanual.com>

<http://aubethermostatmanual.com>

Golf course search by state

<http://golfingnear.com>

Email search by domain

<http://emailbydomain.com>

Auto manuals search

<http://auto.somanuals.com>

TV manuals search

<http://tv.somanuals.com>