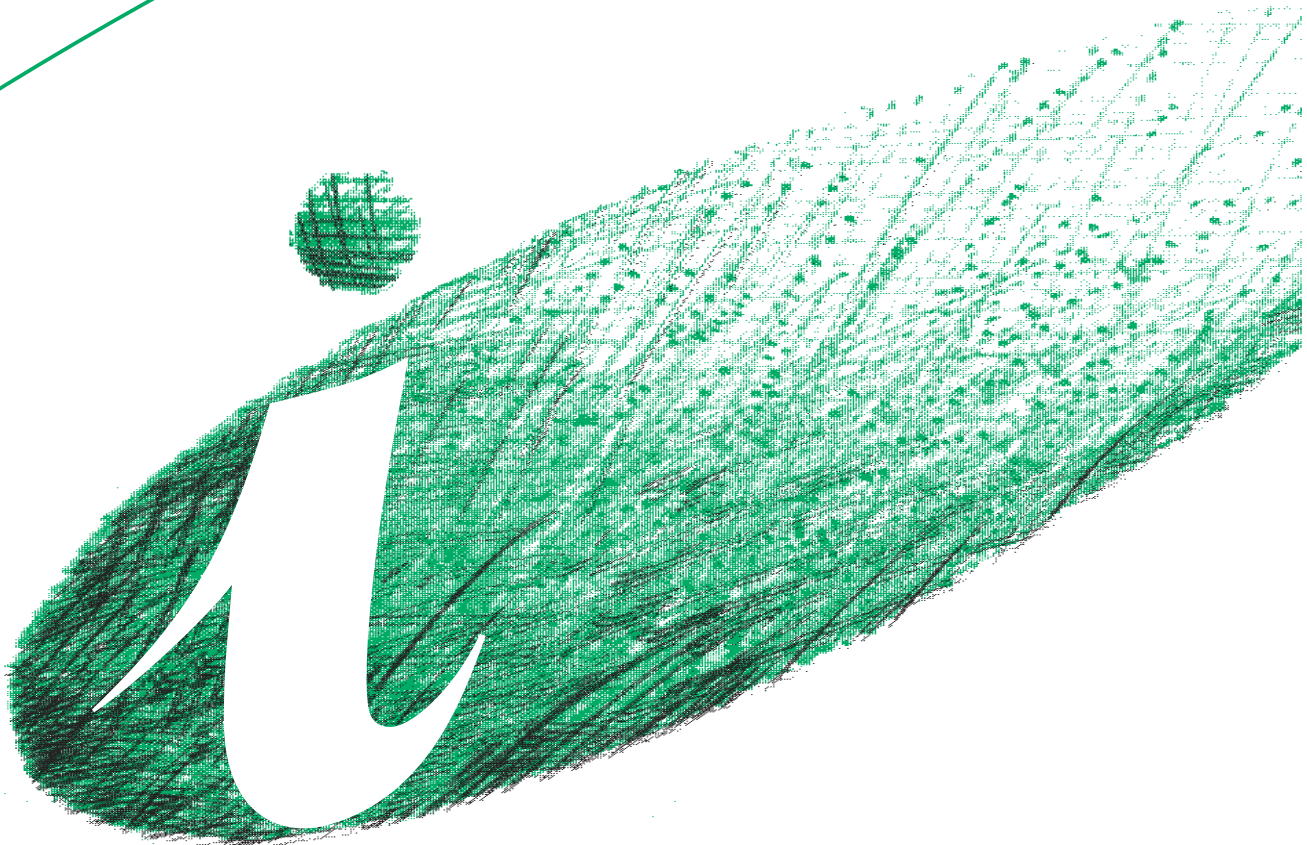


TRICITY BENDIX

*OPERATING AND INSTALLATION
INSTRUCTIONS*



FRIDGE-FREEZER

FD 852 A

IMPORTANT SAFETY INFORMATION

It is most important that this instruction book should be retained with the appliance for future reference. Should the appliance be sold or transferred to another owner, or should you move house and leave the appliance, always ensure that the book is left with the appliance in order that the new owner can get to know the functioning of the appliance and the relevant safety information.

This information has been provided in the interest of safety. You MUST read it carefully before installing or using the appliance.

Installation

- This appliance is heavy. Care should be taken when moving it.
- It is dangerous to alter the specifications or attempt to modify this product in any way.
- Care must be taken to ensure that the appliance does not stand on the electrical supply cable. If the supply cord is damaged, it must be replaced by a special cable available from your local Service Force Centre.
- Any electrical work required to install this appliance should be carried out by a qualified electrician or competent person.
- Parts which heat up should not be exposed. Whenever possible, the back of the appliance should be close to a wall but leaving the required distance for ventilation as stated in the installation instructions.
- The appliance should be left for 2 hours after installation before it is turned on, in order to allow the refrigerant to settle.

Child Safety

- Do not allow children to tamper with the controls or play with the product.
- Keep all packaging well away from children.

During Use

- This appliance is designed for domestic use only, specifically for the storage of edible foodstuffs only.
- Frozen food must NOT be re-frozen once it has thawed out.
- Do not place carbonated or fizzy drinks in the freezer.
- Do not remove items from the freezer if your hands are damp/wet, as this could cause skin abrasions or frost/freezer burns.
- Ice lollies can cause 'frost/freezer burns' if consumed straight from the freezer.

- Manufacturers' storage recommendations should be strictly adhered to. Refer to relevant instructions.
- The cooling plate or refrigerated freezer shelves in this appliance contain channels through which the refrigerant passes. If these are punctured this will cause substantial damage to the appliance and result in food loss. **DO NOT USE SHARP INSTRUMENTS** to scrape off frost or ice. Under **NO** circumstances should solid ice be forced off the lining or shelves. Solid ice should be allowed to thaw, when defrosting the appliance. See Defrost Instructions.

Maintenance and Cleaning

- Switch off and unplug the appliance before carrying out any cleaning or maintenance work.

Servicing

- This product should be serviced by an authorised engineer and only genuine spare parts should be used.
- Under no circumstances should you attempt to repair the machine yourself. Repairs carried out by inexperienced persons may cause injury or serious malfunctioning. Refer to your local Service Force Centre and always insist on genuine spare parts.

At the end of the Appliance Life

- When disposing of your appliance, use an authorised disposal site.
- Remove the plug and ensure that any locks or catches are removed, to prevent young children being trapped inside.

CONTENTS

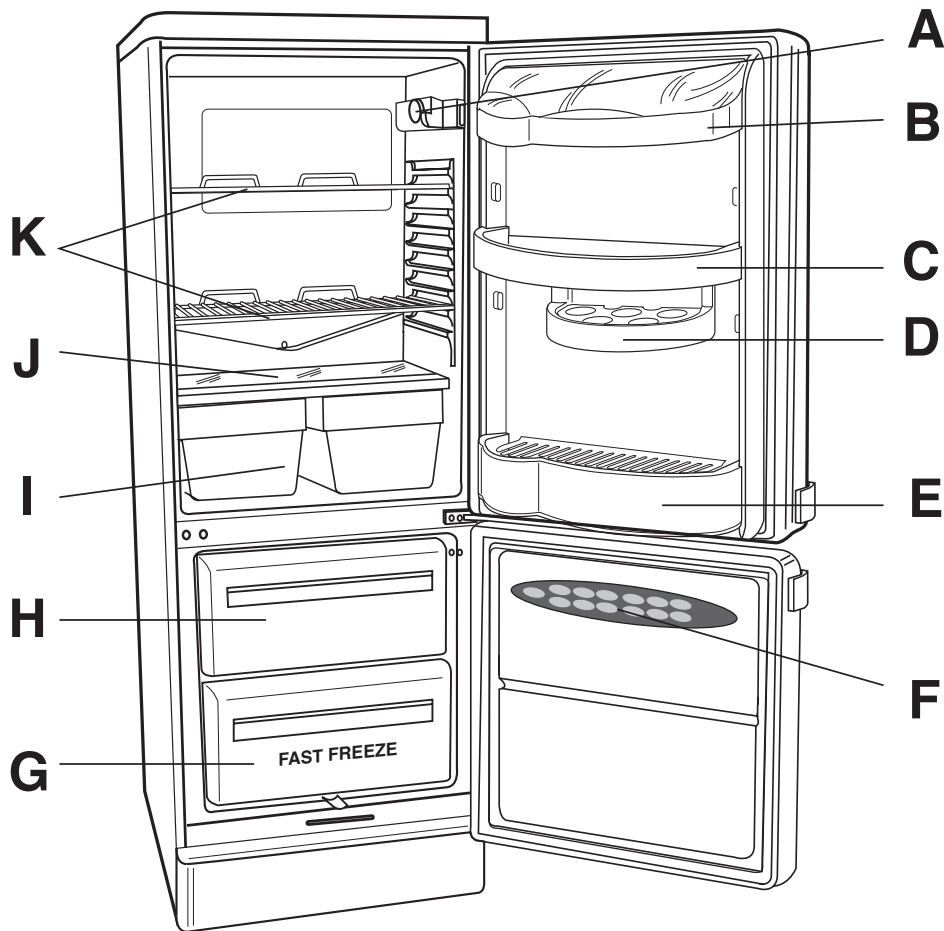
Instructions for the User

| | |
|-------------------------------------|----|
| Important Safety Information | 2 |
| Description of the Appliance | 4 |
| Operation | 5 |
| Before use | 5 |
| Setting the temperature | 5 |
| The freezer compartment | 5 |
| Freezing fresh food | 5 |
| Thawing | 5 |
| Making ice cubes | 5 |
| Fresh food refrigeration | 6 |
| Normal operating sounds | 6 |
| Movable shelves | 7 |
| Positioning the door shelves | 7 |
| Health and Safety Guidelines | 8 |
| Maintenance and Cleaning | 9 |
| Internal cleaning | 9 |
| External cleaning | 9 |
| When the appliance is not in use | 9 |
| Changing the light bulb | 9 |
| Defrosting | 9 |
| Something Not Working | 11 |
| Service and Spare Parts | 12 |
| Customer Care | 12 |
| Guarantee Conditions | 15 |

Instructions for the Installer

| | |
|--------------------------------|----|
| Technical Specification | 16 |
| Installation | 17 |
| Positioning | 17 |
| Rear spacers | 17 |
| Electrical Connection | 18 |
| Door Reversal | 19 |

DESCRIPTION OF THE APPLIANCE



- A** - Thermostat control for both compartments
- B** - Dairy compartment (for dairy products to prevent tainting)
- C** - Can storage shelf
- D** - Movable shelf
- E** - Bottle storage shelf
- F** - Freezer calendar (recommended storage times for frozen foods)
- G** - Compartment for freezing fresh food
- H** - Compartment for frozen food storage
- I** - Salad crisper (to keep fruit and vegetables fresh)
- J** - Glass shelf
- K** - Cooked foods storage shelves

OPERATION

Before using

Remove all securing tapes. Wash inside the appliance with lukewarm water and bicarbonate of soda (5 ml to 0.5 litre of water).

Do not use soap or detergent as the smell may linger. Dry thoroughly.

Setting the temperature

The temperature inside the refrigerator is regulated by a thermostat with 6 temperature positions and an "OFF" (O) position.

Position 1 = minimum coldness

Position 6 = maximum coldness

Turn the thermostat dial to the required position.

The intermediate position is usually the most suitable (3-4).

The thermostat setting can vary as the temperature inside the refrigeration compartment depends on the following factors:

- room temperature
- how often the door is opened
- how much food is stored
- position of the appliance



Important

During prolonged periods of abnormally hot weather, if the thermostat is set on too high a number, the cooling system may operate continuously and the fridge cooling plate may not defrost. Turning the knob to a lower number will cause the automatic defrosting to resume.

The freezer compartment

The four-star freezer compartment is suitable for storage of commercially frozen food and for freezing fresh foods.

Freezing fresh food

It is not necessary to adjust the thermostat setting when freezing fresh food.

In any 24 hours you can freeze up to 3 kg. of fresh food.

Place food to be frozen in the bottom drawer of the freezer as this is the coldest part.



Important

In the event of a power cut do not open the door. The food in the freezer will not be affected if the power cut is short and if the freezer is full. Should the food begin to thaw, it must be consumed quickly and must not be re-frozen .

Thawing

Frozen food, prior to being used, can be thawed in the fridge or at room temperature depending on the time available. Small food items may even be cooked from frozen; in this case cooking will take longer.

Any frozen food which is allowed to thaw accidentally should either be eaten as soon as possible or thrown away. Alternatively, if the food is uncooked and has not been completely defrosted it can be cooked and then refrozen.

Meat, fish and fruit should be thawed in the refrigerator compartment and small pieces of meat can even be cooked while still frozen, but you must ensure that it is thoroughly cooked through.

Vegetables should be directly immersed in boiling water; ready-cooked dishes can be placed directly in the oven in their aluminium wrapping.

A microwave oven is particularly suitable for thawing any type of frozen or deep-frozen food: follow the oven instructions, particularly regarding the placement of aluminium wrapping or containers in the oven.

Defrosted cooked food must never be refrozen.

Making ice cubes

The appliance is provided with one or more trays for ice-cubes trays.

Fill the tray(s) 3/4 full to give the ice space to expand and place them in the freezer compartment.

To release the ice cubes simply give the tray a slight twist.

Do not use sharp or metallic instruments to remove the trays from the freezer.

Fresh food refrigeration

To obtain the best performance, do not store warm food or evaporating liquids in the refrigerator; do cover or wrap the food, particularly if it has a strong flavour.

Do not cover the shelves with any protective material, such as paper, cardboard or plastic, which may obstruct the air circulation through them.

To help you use your refrigerator correctly, here are some more useful hints:

Raw meat (beef, pork, lamb & wild fowl): wrap in polythene bags and place on top of the salad crispers.

Meat can only be stored safely in this way for one or two days at the most.

Fruit & vegetables: these should be thoroughly cleaned and placed in the bottom salad crispers.

Butter & cheese: these should be placed in special airtight containers or wrapped in aluminium foil or polythene bags to exclude as much air as possible.

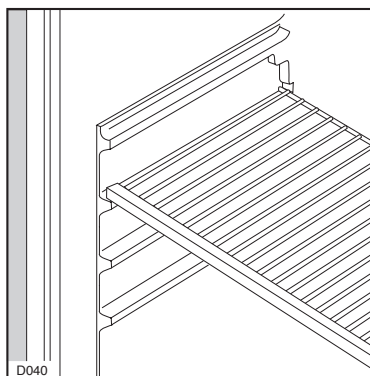
Milk bottles: these should have a cap and should be stored in the bottle rack on the door.

Normal Operating Sounds

- You may hear faint gurgling or bubbling sounds when the refrigerant is pumped through the coils or tubing at the rear, to the cooling plate/evaporator or to the fixed freezer shelves.
- When the compressor is on, the refrigerant is being pumped round, and you will hear a whirring sound or pulsating noise from the compressor.
- A thermostat controls the compressor, and you will hear a faint 'click' when the thermostat cuts in and out.

Movable shelves

The walls of the refrigerator have runners so that shelves can be positioned as desired.

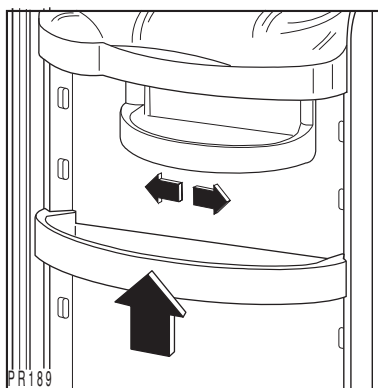


Positioning the door shelves

To permit storage of food packages of various sizes, the door shelves can be adjusted in height.

To do this proceed as shown in the diagram:

Gradually pull the shelf in the direction of the arrows until it comes free, then reposition as required.



HEALTH AND SAFETY GUIDELINES

Because of consumer demand, preservatives have been removed from many pre-prepared foods. This together with the changes in shopping habits to a once-a-week shop, mean that safe handling and storage of food is even more important than ever.

The following tips should help you to ensure that the food in your home is in as perfect condition as possible.


- Keep the time between buying chilled food and placing it in your fridge as short as possible. Tests showed that the temperature of 1 litre of orange juice rose to 22°C in an hour between the supermarket and home. It then took 11 hours to get down to 7°C in the refrigerator.
- Keep the refrigerator door closed as much as possible.
- Do not push food together too much, try to allow air to circulate around each item.
- Cool cooked food as quickly as possible but do NOT place in the refrigerator until cool. (Leave food in a cool place in order that it can then be put in the refrigerator as soon as possible).
- Do NOT mix raw and cooked meat, they must be in separate containers. Take care not to let the meat juices drip onto other food. If the meat does drip, remove everything and clean thoroughly.
- Do not store food uncovered.
- The best way to defrost food is to put it in the refrigerator to thaw slowly.
- Remove suspect food from your refrigerator and clean (refer to "Maintenance and Cleaning").
- Never allow spillages to dry and harden.
- Ensure that food placed in the freezer is dated and labelled and used in date order to ensure that food is consumed at its best.
- It is important that food is used before its "best before" date.
- Store eggs in the egg rack provided in the refrigerator door. Discard any broken or chipped eggs.
- Regularly check the refrigerator door seal to ensure that it is clean and free from debris.
- Always wash your hands with soapy water and dry them with a clean towel before handling food.
- Keep work surfaces clean and avoid cross contamination by not using the same work surface or knife, without washing them thoroughly in between.
- The fresh foods to be frozen must be fresh and of the best quality.
- The size of each pack should be small enough to ensure that it is used in one go . Small packs freeze more quickly and uniformly and give better results.
- Frozen food, once thawed, must not be refrozen. Lean food keeps better and longer than fatty food, salt reduces the storage time.
- Wrap the food in polythene or aluminium freezing bags or foil so that they adhere to the food and provide an airtight seal .
- Packaging which is swollen or has traces of refrozen water droplets on the pack could indicate that the product has not been kept at a suitable temperature and that it may have lost its original quality. Partially thawed food must not be refrozen, it must be consumed within 24 hours. Never exceed the storage times indicated.
- Never place hot food, bottles or cans of fizzy drink in the freezer as they may explode. Containers with a lid must not be filled to the brim.
- Do not open the door or place extra fresh food in the freezer next to food which is already frozen as this could cause the temperature of the frozen food to rise and its quality and storage life to reduce .

MAINTENANCE AND CLEANING

Before any maintenance or cleaning work is carried out, DISCONNECT the appliance from the ELECTRICITY supply.

Internal cleaning

Clean the inside and accessories with warm water and bicarbonate of soda (5ml to 0.5 litre of water). Rinse and dry thoroughly.

 **NEVER USE DETERGENTS, ABRASIVE POWDERS, HIGHLY PERFUMED CLEANING PRODUCTS OR WAX POLISHES, TO CLEAN THE INTERIOR AS THESE WILL DAMAGE THE SURFACE AND LEAVE A STRONG ODOUR.**

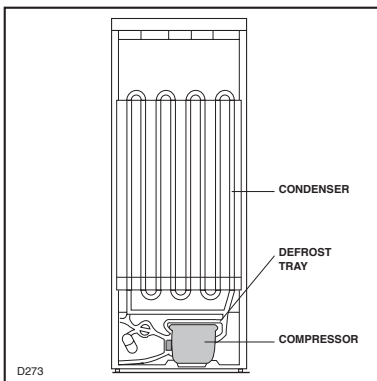
External cleaning

Wash the outer cabinet with warm soapy water. Do NOT use abrasive products.

An accumulation of dust will affect the performance of the appliance and cause excessive electricity consumption.

You MUST ensure that the appliance is switched OFF.

Once or twice a year dust the condenser (black grill) and the compressor at the back of the appliance, with a brush or vacuum cleaner, see figure.

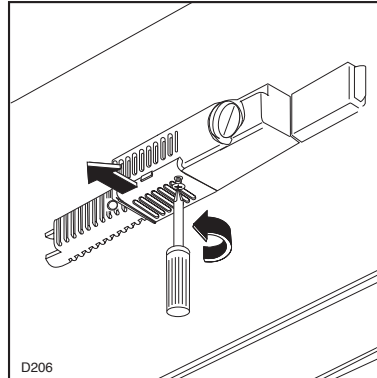


When the appliance is not in use

When the appliance is not in use for long periods, disconnect from the electricity supply, empty all foods and clean the appliance, leaving the doors ajar to prevent unpleasant smells.

Changing the light bulb

Should the interior light fail to work, first switch off the appliance and disconnect from the electricity supply, then replace the bulb as follows;



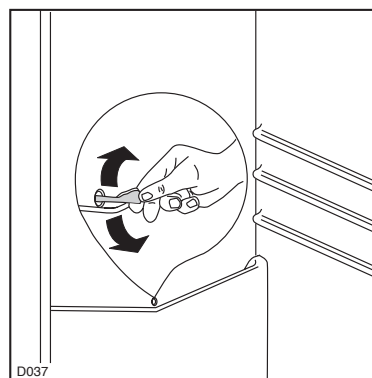
Unscrew the light cover and then pull it outward by pressing as shown in the figure. Unscrew the bulb and replace it with a new 15 watt bulb (available from your nearest Service Force Centre).

Replace the light cover by sliding it into its original position and replacing the screw.

Defrosting

Refrigerator

The refrigerator automatically defrosts every time the compressor stops. The water is discharged, via the pipe, into a tray located at the back of the appliance above the compressor, where it evaporates.



Important

To avoid defrost water overflowing into the fridge, periodically clean the water discharge hole in the centre of the V shaped drip collector at the back of the refrigerator compartment behind the fruit and vegetable drawer. Use the defrost cleaner provided which you will find already inserted into the discharge hole.

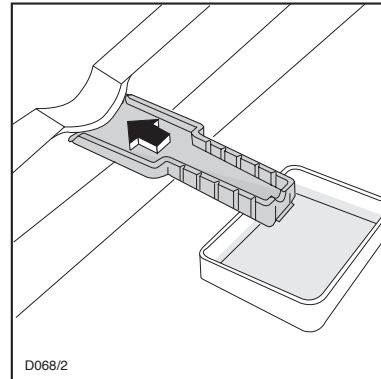
Remember to wash the defrost cleaner in hot soapy water at regular intervals. Dry thoroughly before replacing.

Freezer

When the frost has reached a thickness of up to 4mm it can be removed using the ice scraper provided with the appliance. During this operation it is not necessary to disconnect the appliance from the mains and remove the food. Never use metal tools for this operation.

For complete defrosting (once or twice a year) proceed as follows:

- turn the thermostat dial to the «OFF» position (O) or disconnect the appliance from the mains.
- Remove any food from inside the freezer and fridge, wrap it in several sheets of newspaper and store in a cool/dry place.
- Leave the door open and insert the ice scraper under the channel in the centre of the lower part of the appliance; place a low-sided container beneath the scraper to collect the water (see fig.).
- Clean and dry thoroughly.
- Replace the scraper in one of the drawers .
- Reconnect the appliance to the mains or reset the thermostat to a functioning position.
- After letting the appliance run for at least half an hour, replace the previously removed food into the compartment.



Important

When defrosting the freezer, the fridge is also controlled by the thermostat and will not be operational during this period. A temperature rise of the frozen food packs, during defrosting, may shorten their safe storage life.



Attention!

In the event of a power failure causing the temperature within your freezer to rise, do not re-freeze the food without checking its condition.

The following guidelines should assist you.

Ice-cream: once thawed should be discarded.

Fruits & Vegetables: if soft should be cooked and used up.

Breads & Cakes: can be re-frozen without danger.

Shellfish: should be refrigerated and used up quickly.

Cooked Dishes: i.e. casseroles should be refrigerated and used up.

Large Pieces of Meat: can be re-frozen providing there are still ice crystals remaining within them.

Small Joints: should be cooked and can then be re-frozen as cooked dishes.

Chicken: should also be cooked and re-frozen as a cooked dish.

SOMETHING NOT WORKING

Important: If you call out an engineer to a fault listed below, or to repair a fault caused by incorrect use or installation a charge will be made, even if the appliance is under guarantee.

Before contacting your local Service Force Centre, check the following points:

| Symptom | Solution |
|--|--|
| No power to the appliance | Check there is power at the socket. |
| | Check there is not a power cut by checking the household lights. |
| | Check the fuse has not blown. |
| The light does not come on | Ensure that the bulb is correctly fitted. |
| | Replace the bulb if it has blown. |
| | Check the door light switch is not jammed. |
| The temperature in the fridge or freezer section is too high | Check the temperature in the fridge is turned to the correct setting relative to ambient conditions. |
| | Check the ambient temperature is within the appliance's operating limits of 10°C to 32°C. Relocate the appliance if necessary. |
| The freezer door will not open | Has door just been opened? If so leave for a few minutes to allow the air pressure to equalise. |
| The compressor runs continuously | Adjust the thermostat control knob to give correct temperature control. See "Setting the temperature". |
| | Check that the doors are closed. |
| | Large quantities of food have recently been placed in the cabinet and/or door is frequently opened. |
| | Check that air ventilation is not obstructed. |
| Excessive frost and ice has built up | Ensure the doors are not left open. |
| | Check that nothing is preventing the doors from closing. |
| | Is the door gasket intact and clean. |
| | Has advised periodic defrosting been carried out. |
| Noise | Refer to normal operating sounds. |
| Water under the salad crisper | Check the drain hole is not blocked. (see Maintenance and Cleaning). |

SERVICE AND SPARE PARTS

In the event of your appliance requiring service, or if you wish to purchase spare parts, please contact your local Tricity Bendix Service Force Centre by telephoning:-

0870 5 929929

Your telephone call will be automatically routed to the Service Force Centre covering your post code area. The addresses are listed on the following pages.

Before calling out an engineer, please ensure you have read the details under the heading 'Something Not Working?'

When you contact the Service Force Centre you will need to give the following details:

1. Your name, address and post code
2. Your telephone number
3. Clear and concise details of the fault
4. The model and serial number of the appliance (found on the rating plate)
5. The purchase date

For service in the **Republic of Ireland** contact

Tricity Bendix

Long Mile Road

Dublin 12

Telephone : 01 4090752

CUSTOMER CARE DEPARTMENT

For general enquiries concerning your Tricity Bendix appliance or for further information on Tricity Bendix products, please contact our Customer Care Department by letter or telephone as follows:-

Customer Care Department

Tricity Bendix

55-77 High Street

Slough

Berkshire

SLI IDZ

08705 950 950 (*)

(*) calls to this number may be recorded for training purposes.

To contact your local Tricity Bendix Service Centre telephone **08705 929 929**

| | | | |
|-------------------------------------|--|--|--|
| CHANNEL ISLANDS | | ORKNEY (M65) Corsie Domestics 7 King Street Kirkwall Orkney KW15 | NORTH EAST |
| GUERNSEY | Guernsey Electricity PO Box 4 Vale, Guernsey Channel Islands | PERTH Hydro Electrical Inveralmond House Ruthvenfield Road Perth PH1 3AQ | GATESHEAD (M39) Unit 356a Dukesway Court Dukesway Team Valley Gateshead NE11 0BH |
| JERSEY | Jersey Electricity Company PO Box 45 Queens Road St Helier Jersey Channel Islands JE4 8NY | PERTH Graham Begg Unit 4 Airport Ind Estate Wick KW1 4QS (OWN SALES) | GRIMSBY (M42) 15 Hainton Avenue Grimsby South Humberstone DN32 9AS |
| SCOTLAND | | SHETLAND (OWN SALES) Tait Electronic Systems Ltd Holmsgarth Road Lerwick Shetland ZE1 0PW | HULL (M41) Unit 1 Boulevard Industrial Estate Hull HU3 4AY |
| ABERDEEN (M05) | 54 Claremont Street Aberdeen AB10 6RA | SHETLAND (OWN SALES) Bolts Shetland Ltd. 26 North Road Lerwick Shetland ZE1 0PE | LEEDS (M37) 64-66 Cross Gates Road Leeds LS15 7NN |
| AUCHTERMUCHY (M03) | 33a Burnside Auchtermuchy Fife KY14 7AJ | WHALSAY (OWN SALES) Leask Electrical Harisdale Symbister, Whalsay Shetland ZE2 9AA | NEWTON AYCLIFFE (M45) Unit 16 Gurney Way Aycliffe Industrial Estate Newton Aycliffe DL5 6UJ |
| BLANTYRE (M07) | Unit 5 Block 2 Auchenraith Ind. Estate Rosendale Way Blantyre G72 0NJ | NORTHERN IRELAND | |
| DUMFRIES (M01) | 93 Irish Street Dumfries Scotland DG1 2 PQ | BELFAST (M27) Owenmore House Kilwee Business Park Upper Dunmury Lane Belfast BT17 0HD | NORTH WEST |
| DUNOON (M67) | Brair Hill 7 Hill Street Dunoon Argyll PA23 7AL | WALES | |
| GLASGOW (M04) | 20 Cunningham Road Clyde Estate Rutherglen Glasgow G73 1PP | CARDIFF (M28) Guardian Industrial Estate Clydesmuir Road Tremorfa Cardiff CF2 2QS | BIRKENHEAD (M11) 1 Kelvin Park Dock Road Birkenhead L41 1LT |
| INVERNESS (M06) | Unit 3B Smithton Ind. Estate Smithton Inverness IV1 AJ | CLYWD (M14) Unit 6-7 Coed – Parc Abergele Road Rhuddlan Clwyd Wales LL18 5UG | CARLISLE (M10) Unit 7 James Street Workshops James Street Carlisle Cumbria CA2 5AH |
| ISLE OF ARRAN (OWN SALES) | Arran Domestics Unit 4 The Douglas Centre Brodrick Isle of Arran KA27 8AJ | DYFED (M77) Maes Y Coed High Mead Llanybydder Carmarthenshire SA40 9UL | ISLE OF MAN (M64) South Quay Ind. Estate Douglas Isle of Man IM1 5AT |
| ISLE OF BARRA (OWN SALES) | J Zerfah 244 Bruernish Isle of Barra Western Islands HS9 5QY | HAVERFORDWEST (M75) Cromlech Lodge Ambleston Haverfordwest Pembrokeshire SA62 5DS | LIVERPOOL (M15) Unit 1 Honeys Green Precinct Honeys Green Lane Liverpool L12 9JH |
| ISLES OF BUTE | Walker Engineering Glenmhor Upper Serpentine Road Rothsay Isle of Bute PA20 9EH | OSWESTRY (M17) Plas Ffynnon Warehouse Middleton Road Oswestry SY11 2PP | MANCHESTER (M09) Unit B Central Industrial Estate St Marks Street Bolton BL3 6NR |
| ISLE OF LEWIS | ND Macleod 16 James Street Stornoway Isle of Lewis PA87 2QW | PRESTON (M13) Unit 250 Dawson Place Walton Summit Bamber Bridge Preston Lancashire PR5 8AL | |
| KELSO (M08) | 2-8 Wood Market Kelso Borders TD5 7AX | STOCKPORT (M16) Unit 20 Haigh Park Haigh Avenue Stockport SK4 1QR | |

Tricity Bendix Service Force

To contact your local Tricity Bendix Service Centre telephone **08705 929 929**

| | | | | | |
|---|--|---------------------------------|--|-----------------------------------|---|
| MIDLANDS | | LONDON & EAST ANGLIA | | SUNBURY (M63) | Unit 1a The Summit Hanworth Road Hanworth Ind. Estate Sunbury on Thames TW16 5D |
| BIRMINGHAM (M18) | 66 Birch Road East Wyrley Road Ind. Estate Witton Birmingham B6 6DB | BECKENHAM (M79) | 11a Gardener Ind. Estate Kent House Lane Beckenham Kent BR3 1QZ | SOUTH EAST | |
| BOURNE (M44) | Manning Road Ind. Estate Pinfold Road Bourne PE10 9HT | CHELMSFORD (M47) | Hanbury Road Widford Ind. Estate Chelmsford Essex CM12 3AE | ASHFORD (M58) | Unit 2 Bridge Road Business Est. Bridge Road Ashford Kent TN2 1BB |
| BRIDGNORTH (M72) | 68 St. Mary's Street Bridgnorth Shropshire WV16 4DR | COLINDALE (M53) | Unit 14 Capitol Park Capitol Way Colindale London NW9 0EQ | FLEET (M59) | Unit 1 Redsfield Ind. Estate Church Crookham Fleet Hampshire GU13 0RD |
| GLOUCESTER (M23) | 101 Rycroft Street Gloucester GL1 4NB | ELTHAM (M78) | 194 Court Road Mottingham Eltham London SE9 4EW | HAYWARDS HEATH (M55) | 21-25 Bridge Road Haywards Heath Sussex RH16 1UA |
| HEREFORD (M31) | Unit 3 Bank Buildings Cattle market Hareford HE4 9HX | ENFIELD (M49) | 284 Alma Road Enfield London EN3 7BB | SOUTH WEST | |
| HIGHAM FERRERS (M51) | 30 High Street Higham Ferrers Northants NN10 8BB | GRAVESEND (M57) | Unit B4 Imperial Business Estate Gravesend Kent DA11 0DL | BARNSTAPLE (M30) | Main Road Fremington Barnstaple North Devon EX31 2NT |
| ILKESTON (M43) | Unit 2 Furnace Road Ilkeston DE7 5EP | HARPENDEN (M46) | Unit 4 Riverside Estate Coldharbour Lane Harpenden AL5 4UN | BOURNEMOUTH (M26) | 63-65 Curzon Road Bournemouth Dorset BH1 4PW |
| LEICESTER (M22) | Unit 7 Oaks Ind. Estate Coventry Road Narborough Leicestershire LE0 5GF | LETCHWORTH (M50) | 16-17 Woodside Ind. Estate Works Road Letchworth Herts SG6 1LA | BRIDGEWATER (M35) | 6 Hamp Ind. Estate Bridgewater Somerset TA6 3NT |
| LINCOLN (M40) | Unit 8 Stonefield Park Clifton Street Lincoln LN5 8AA | LONDON (M76) | 2/4 Royal Lane Yiewsley West Drayton Middlesex UB7 8DL | BRISTOL (M25) | 11 Eldon Way Eldonwall Trading Bristol Avon BS4 3QQ |
| NEWCASTLE UNDER LYME (M12) | 18-21 Croft Road Brampton Ind. Estate Newcastle under Lyme Staffordshire ST5 0TW | MAIDENHEAD (M60) | Reform Road Maidenhead Berkshire SL6 8BY | EMSWORTH (M33) | 266 Main Road Southbourne Emsworth PO10 8JL |
| REDDITCH (M20) | 13 Thornhill Road North Moons Moat Redditch Worcestershire B98 9ND | MOLESEY (M61) | 10 Island Farm Avenue West Molesey Surrey KT8 2UZ | ISLE OF WIGHT (M34) | Unit 8 Enterprise Court Ryde Business Park Ryde Isle of Wight PO33 1DB |
| TAMWORTH (M19) | Unit 3 Sterling Park Claymore Tamworth B77 5DO | NEWBURY (M24) | 9 Pipers Court Berkshire Drive Thatcham Berkshire RG19 4ER | NEWTON ABBOT (M29) | Unit 2 Zealley Ind. Estate Kingsteignton Newton Abbot S. Devon TQ12 3TD |
| WORCESTER (M73) | Units 1 & 2 Northbrook Close Gregorys Mill Ind. Estate Worcester WR3 8BP | IPSWICH (M48) | Unit 6C Elton Park Business Centre Hadleigh Road Ipswich IP2 0DD | REDRUTH (M36) | Unit 7D Pool Ind. Estate Wilson Way Redruth Cornwall TR15 3QW |
| | | NORWICH (M52) | 2b Trafalgar Street Norwich NR1 3HN | | |

GUARANTEE CONDITIONS

Standard guarantee conditions

We, Tricity Bendix, undertake that if within 12 months of the date of the purchase this Tricity Bendix appliance or any part thereof is proved to be defective by reason only of faulty workmanship or materials, we will, at our option repair or replace the same FREE OF CHARGE for labour, materials or carriage on condition that:

The appliance has been correctly installed and used only on the electricity supply stated on the rating plate.

The appliance has been used for normal domestic purposes only, and in accordance with the manufacturer's instructions.

The appliance has not been serviced, maintained, repaired, taken apart or tampered with by any person not authorised by us.

All service work under this guarantee must be undertaken by a Tricity Bendix Service Force Centre. Any appliance or defective part replaced shall become the Company's property.

This guarantee is in addition to your statutory and other legal rights.

Home visits are made between **8.30am and 5.30pm** Monday to Friday. Visits may be available outside these hours in which case a **premium** will be charged.

Exclusions

This guarantee does not cover:

Damage or calls resulting from transportation, improper use or neglect, the replacement of any light bulbs or removable parts of glass or plastic.

Costs incurred for calls to put right an appliance which is improperly installed or calls to appliances outside the European Community (EC) or European Free Trade Area.

Appliances found to be in use within a commercial environment, plus those which are subject to rental agreements.

Products of Tricity Bendix manufacture which are not marketed by Tricity Bendix.

European Guarantee

The standard one year guarantee is for the same period and the same extent for labour and parts as exists in the new country of use for this brand or range of products.

Customer Care Centre:

Ireland Dublin 353-1-4090752

If you should move to another country within Europe then your guarantee moves with you to your new home subject to the following qualifications:

The guarantee starts from the date you first purchased your product.

The guarantee is for the same period and to the same extent for labour and parts as exists in the new country of use for this brand or range of products.

This guarantee relates to you and cannot be transferred to another user.

Your new home is within the European Community (EC) or European Free Trade Area.

The product is installed and used in accordance with our instructions and is only used domestically, i.e. a normal household.

The product is installed taking into account regulations in your new country.

Before you move please contact your nearest Customer Care centre, listed below, to give them details of your new home. They will then ensure that the local Service Organisation is aware of your move and able to look after you and your appliances.

| | | |
|---------|-----------|----------------------|
| France | Senlis | +33 (0)3 44 62 28 28 |
| Germany | Nürnberg | +49 (0)911 323 2600 |
| Italy | Pordenone | +39 (0)1678 47053 |
| Sweden | Stockholm | +46 (0)20 78 77 50 |
| UK | Slough | +44 (0)1735 219898 |

TECHNICAL SPECIFICATIONS

DIMENSIONS

| | | |
|--------|------|----|
| Height | 150 | cm |
| Width | 54.5 | cm |
| Depth | 60 | cm |

| | |
|------------------------------------|-------------------|
| POWER SUPPLY VOLTAGE AND FREQUENCY | 220-240 V / 50 Hz |
|------------------------------------|-------------------|

| | |
|----------------------|-------|
| TOTAL POWER ABSORBED | 130 W |
|----------------------|-------|

| | |
|-----------------------------------|----------|
| AVERAGE DAILY UNITS ELECTRICITY * | 1.30 kWh |
|-----------------------------------|----------|

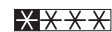
GROSS CAPACITY

| | |
|---------|-------|
| Fridge | 174 l |
| Freezer | 76 l |

NET CAPACITY

| | |
|---------|-------|
| Fridge | 170 l |
| Freezer | 60 l |

STAR RATING



* This figure is based on standard test results in accordance with European Standard EN 153.
Actual consumption will depend on how the appliance is used and where it is located.

INSTALLATION

Warning

IF YOU ARE DISCARDING AN OLD APPLIANCE THAT HAS A LOCK OR CATCH ON THE DOOR, YOU MUST ENSURE THAT IT IS MADE UNUSABLE TO PREVENT YOUNG CHILDREN BEING TRAPPED INSIDE.

Depending upon the position which you choose for your appliance, you may wish to reverse the way in which the door opens. To do this, refer to instructions on “Door reversal directions” paragraph.

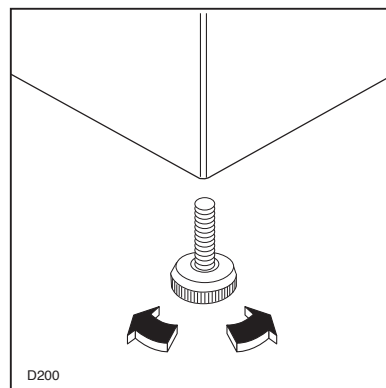
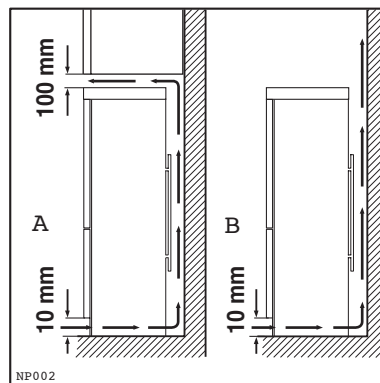
Positioning

This appliance is designed to operate in ambient temperatures between 10°C (50° F) and 32°C (90° F). It should be located in a dry atmosphere, out of direct sunlight and away from extreme temperature e.g. not next to a boiler or radiator, or in a very cold room e.g. an outhouse, where the temperatures may fall below 10°C (50° F). If these temperatures are exceeded i.e. colder or warmer, then the appliance may not operate correctly.

You should also ensure that air can circulate freely around the back and the top of the cabinet. There must also be at least 100 mm (4”) distance between the top of the cabinet and any overhanging kitchen furniture (A). Ideally, the appliance should not be positioned beneath overhanging furniture (B).

There should also be a gap of 25 mm either side of the appliance. Do not obstruct the space underneath. The back of the cabinet may be placed close to the wall but must not touch it. DO NOT install in places with restricted ventilation.

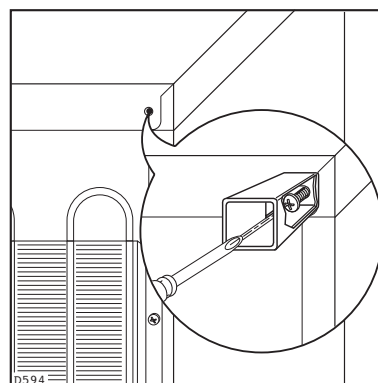
Adjust the level of the appliance by screwing out the adjustable foot, or feet, at the bottom of the cabinet using your fingers.



Rear spacers

In the bag with the documentation there are two spacers which must be fitted in the two top corners.

Slacken the screws and insert the spacer under the screw head, then re-tighten the screw.



Electrical connections

Any electrical work required to install this appliance should be carried out by a qualified electrician or competent person.

WARNING: THIS APPLIANCE MUST BE EARTHED.

The manufacturer declines any liability should this safety measure not be observed.

If the plug that is fitted to your appliance is not suitable for your socket outlet, it must be cut off and the appropriate plug fitted.

Remove the fuse from the cut off plug.

The cut off plug should then be disposed of to prevent the hazard of shocks in case it should be plugged into a 13amp socket in another part of your home.

Important

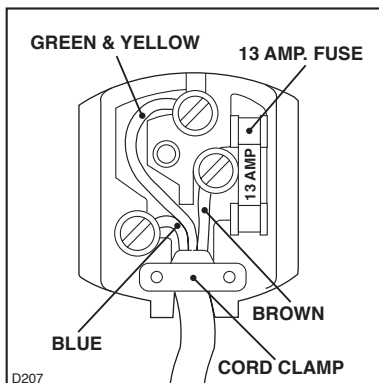
The wires in the mains lead are coloured in accordance with the following code:


Green and Yellow - Earth

Blue - Neutral

Brown - Live

If you fit your own plug, the colours of the wires in the mains lead of your appliance may not correspond with the markings identifying the terminals in your plug, proceed as follows:



Connect the Green and Yellow (earth) wire to the terminal in the plug which is marked with the letter «E» or the earth symbol  or coloured green and yellow.

Connect the blue (neutral) wire to the terminal in the plug which is marked with the letter «N» or coloured black.


Connect the brown (live) wire to the terminal in the plug which is marked with the letter «L» or coloured red.

The plug moulded onto the lead incorporates a fuse. For replacement, use a 13amp BSI362 fuse. Only ASTA or BSI approved fuses should be used.

The plug must not be used if the fuse cover/carrier is lost. The cover/carrier is indicated by the coloured insert at the base of the plug.

A replacement cover/carrier must be obtained from your local Tricity Bendix Service Force Centre.

This appliance complies with the E.E.C. Directive No. 87/308 of 2.6.87 relative to radio interference suppression.

 This appliance complies with the following E.E.C. Directives:

- **73/23 EEC of 19.2.73** (Low Voltage Directive) and subsequent modifications;
- **89/336 EEC of 3.5.89** (Electromagnetic Compatibility Directive) and subsequent modifications.

Please ensure that when the appliance is installed it is easily accessible for the engineer in the event of a breakdown.

Door reversal directions

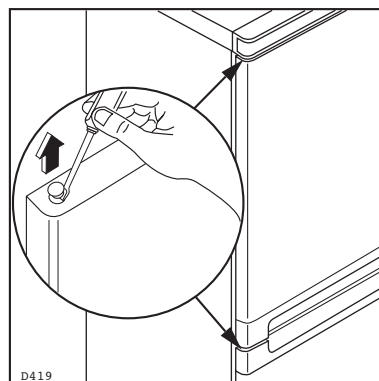
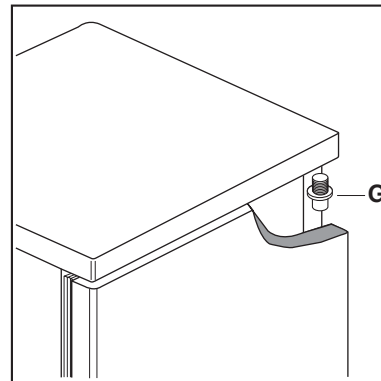
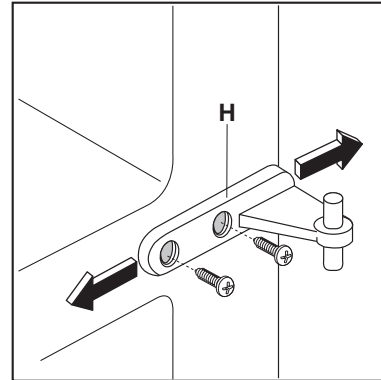
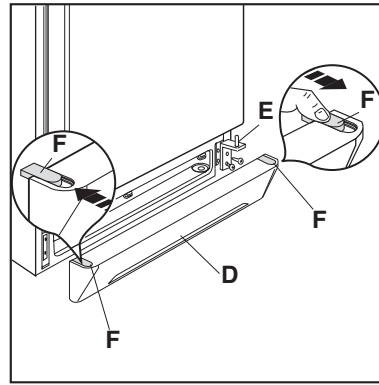
1. Disconnect from the electricity supply.
2. Remove all loose items, including food, store food in a cool place.
3. Remove the ventilation grill (D).
4. Unscrew the bottom hinge (E).
5. Remove the freezer door by releasing it from the middle hinge (H).
6. Unscrew the middle hinge.
7. Slide out the fridge door from pin (G), unscrew the latter and then screw it down into the hinge provided on the opposite side, after having removed the small plugs which should then be fitted on the opposite side.
8. Refit the fridge door and replace the middle hinge to the left hand side.
9. Replace the door and bottom hinge (E) on the opposite side.
10. Remove the plug (F) from the ventilation grill (D) and replace it on the opposite side. Re-assemble the ventilation grill (D).

The doors can be aligned by adjusting the middle hinge, with help of a tool, after having slackened the two screws.

After having reversed the opening direction of the doors check that all the screws are properly tightened and that the magnetic seal adheres to the cabinet.

Attention

After completion of the door reversing operation, check that the door gasket adheres to the cabinet. If the ambient temperature is cold (i.e. in Winter), the gasket may not fit perfectly to the cabinet. In that case, wait for the natural fitting of the gasket or accelerate this process by heating up the part involved with a normal hairdryer on a low setting.



TRICITY BENDIX

Tricity Bendix, 55-77 High Street, Slough, Berkshire SW1DZ

Consumer care telephone number.....08705 950950

© Electrolux Household Appliances Limited 2000

 **From the Electrolux Group. The world's No. 1 choice.**

The Electrolux Group is the world's largest producer of powered appliances for kitchen, cleaning and outdoor use. More than 55 million Electrolux Group products (such as refrigerators, cookers, washing machines, vacuum cleaners, chain saws and lawn mowers) are sold each year to a value of approx. USD 14 billion in more than 150 countries around the world.

Free Manuals Download Website

<http://myh66.com>

<http://usermanuals.us>

<http://www.somanuals.com>

<http://www.4manuals.cc>

<http://www.manual-lib.com>

<http://www.404manual.com>

<http://www.luxmanual.com>

<http://aubethermostatmanual.com>

Golf course search by state

<http://golfingnear.com>

Email search by domain

<http://emailbydomain.com>

Auto manuals search

<http://auto.somanuals.com>

TV manuals search

<http://tv.somanuals.com>