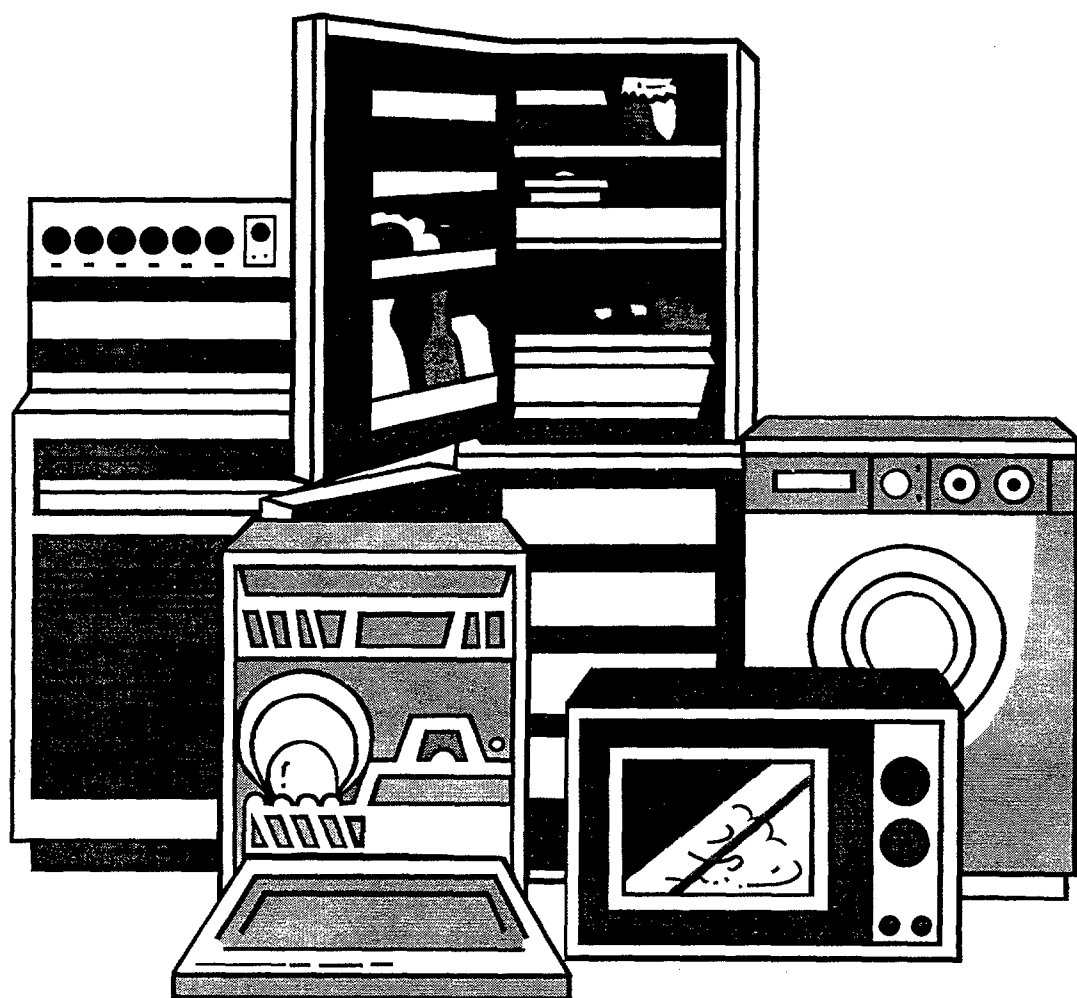


# TRICITY BENDIX

Better Products. Better Value.



## INSTRUCTION BOOKLET

MODEL NOS.  
HG 211 - HG 240 - HG 215 GR - EG 205 - HG 242

---

# WARNINGS AND GUIDANCE

---

**It is most important that this instruction book should be retained with the appliance for future reference. Should the appliance be sold or transferred to another owner, or should you move house and leave the appliance, always ensure that the book is left with the appliance in order that the new owner can get know the functions of the appliance and the relevant warnings.**

**These warnings are provided in the interest of safety. You MUST read them carefully before installing or using the appliance.**

- This appliance is designed to be operated by adults. Children should not be allowed to tamper with the controls or play with the product.
- Any installation and electrical work must be undertaken by a qualified electrician. The appliance must be installed according to the instructions.
- It is dangerous to alter the specifications or modify the product in any way.
- Do not use this appliance if it is in contact with water. Do not operate the appliance with wet hands.
- Always ensure that the control knobs are in the 'OFF' position when not in use.
- Hobs become very hot with use and retain their heat for a long period of time after use. You must therefore take great care when using the appliance, supervise children at ALL times and do NOT allow them to touch the surface or be in the vicinity of the appliance, until it has cooled after use. Children also can injure themselves by pulling pans or pots off the hob.
- The cooking zones heat up quickly when they are turned on. Turn them on only when you have placed a saucepan onto the cooking area.
- If you use an electric socket close to the hob, take care when using an electrical appliance that the cable does not touch the hot surface of the hob.
- Do not leave items on the hob surface. Any items you place on the hob could be damaged if the hob is accidentally turned on.
- Unstable or misshapen pans should not be used on the hob as unstable pans can cause an accident by tipping or spillage.
- Never leave the hob unattended when working with oil and fats because of the danger of fire.
- Never use plastic or aluminum foil dishes on the hob surface.
- Always remove any spillage from the surface of the hob immediately, do not allow spills to dry and harden.
- If you use a saucepan which is smaller than the heated area of the hob, the handle may become hot. Please ensure that you protect your hands before touching the handle.
- Certain food, plastic items and aerosols can be altered by heat and should NOT be stored above or below the hob unit.
- Under no circumstances should you attempt to repair the appliance yourself. Repairs carried out by inexperienced persons may cause injury or serious malfunctioning. Refer to your local Tricity Bendix Service Centre. Always insist on genuine Tricity Bendix spare parts.
- A protective film has been placed over the control panel of the hob to avoid damage during transportation. This film must be removed before using your hob. The protective film is easily peeled off, but should a small amount of glue remain on the control panel this can be removed by rubbing gently with a soft cloth dampened with white spirit.

---

# CONTENTS

---

<b>YOU AND YOUR NEW HOB</b>	<b>Page</b>	<b>5</b>
<b>INSTALLATION</b>	<b>Page</b>	<b>5</b>
<b>ELECTRICAL CONNECTIONS</b>	<b>Page</b>	<b>6</b>
<b>HOB FEATURES</b>	<b>Page</b>	<b>7</b>
<b>OPERATION</b>	<b>Page</b>	<b>8</b>
<b>MAINTENANCE AND CLEANING</b>	<b>Page</b>	<b>9</b>
<b>HELP US TO HELP YOU</b>	<b>Page</b>	<b>10</b>
<b>GUARANTEE FOR 12 MONTHS</b>	<b>Page</b>	<b>15</b>

## **WARNING**

Please remember that an appliance used for cooking does get hot, so make sure that children are kept well away.

## **THIS PACK INCLUDES**

Hob Unit  
Pan supports  
Burners and bodies  
Hob fixing kit  
Installation and operating instructions

## **THIS APPLIANCE IS FOR USE ON NATURAL GAS ONLY**

**IN THE INTEREST OF SAFETY THIS APPLIANCE MUST BE INSTALLED AND/OR SERVICED BY A COMPETENT PERSON IN ACCORDANCE WITH THE GAS SAFETY (INSTALLATION AND USE) REGULATIONS, 1984 AS AMENDED IN 1990.**

## **YOUR WARRANTY**

Please complete and return the Guarantee form.

In case of a complaint, and for ordering spare parts, you must specify the model number and serial which appear on the rating plate situated underneath the hob and in the back cover of the installation booklet.

---

# YOU AND YOUR NEW HOB A GREAT TEAM

---

You'd be amazed how many good cooks use gas. Research has shown that it's the preferred fuel for cooking by both professionals and home cooks.

If you've never cooked with gas before, you'll be pleasantly surprised by the speed and economy and how easy it is to use.

Now that your new HOB is here, you probably can't wait to get cooking, but before you do, take time out to read through this booklet which is designed help you make the most of all the features of your new hotplate.

In particular it is important that you read and understand the advice highlighted in **bold italics**. **This has been included for and your family's safety.**

**A HOB becomes hot with use and retains its heat for a long period of time after use.**

**Whilst it has been designed and manufactured to the relevant European Standards care should be taken when either using or cleaning it.**

**The HOB is designed to be used for domestic purpose only and by adults to cook edible foodstuffs and must not be used for any other purposes. Children, babies and**

**toddlers should be kept away from the hob at all times.**

**Please ensure that you retain this instruction book and make it available to guests etc. who may want to use the hob, also pass it on with the HOB if you give or sell it to another user.**

**The installation instructions found on installation and servicing instruction book give instructions on how and where it can be fitted. If already installed you should satisfy yourself that all requirements have been met, if in doubt check with a competent person.**

Any installation work must be undertaken by a competent installer in accordance with the Gas Safety (installation and use) Regulations 1984 and the relevant codes of practise. In the U.K. C.O.R.G.I. registered installers (including regions of British gas) undertake the work to safe and satisfactory standards.

It is dangerous to alter the specifications or modify the product in any way.

All gas appliances require adequate ventilation. Your installer will advise if in doubt.

---

## INSTALLATION

---

It is mandatory that all operations required for the installation be carried out by a **Competent Gas Installer** (Corgi registered installers normally meet this criteria), and in accordance with existing rules and regulations.

The relevant instructions are to be found in the separate installation manual.

Please ensure that when the appliance is installed, it is easily accessible for the engineer in the event of a breakdown.

This appliance meets the requirements laid down in EEC Directive No. 87/308 dated 2/6/87 relating to the suppression of radio and TV interferences.

**WARNING: THIS APPLIANCE MUST BE EARTHED.**

### WHEN THE HOB IS FIRST INSTALLED

Once the hob has been installed it is important to remove the protective materials, which were put on in the factory.

# ELECTRICAL CONNECTIONS

**WARNING: THIS APPLIANCE  
MUST BE EARTHED.**

**The manufacturer declines any liability should  
this safety measure not be observed.**

If the plug that is fitted to your appliance is not suitable for your socket outlet, it must be cut off and the appropriate plug fitted.

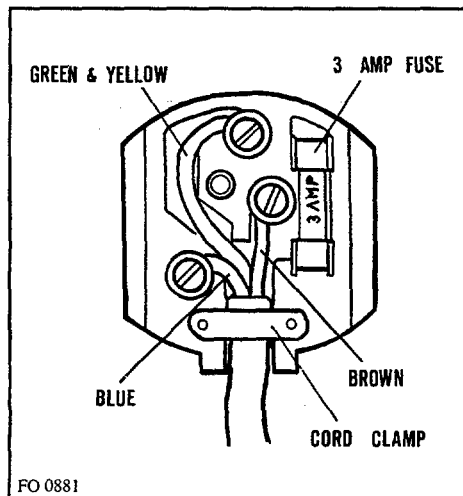
The cut off plug should be disposed of to prevent the hazard of electric shocks in case it should be plugged into a 13 Amp socket in another part of your home.

## IMPORTANT

The wires in this mains lead are coloured in accordance with the following code:

Green and Yellow	- Earth
Blue	- Neutral
Brown	- Live

If you fit your own plug, the colours of the wires in the mains lead of your marking identifying the terminals in your plug, proceed as follows:



Connect the green and yellow (earth) wire to the terminal in the plug which is marked with the letter 'E' or the earth symbol or coloured green, or green and yellow.

Connect the blue (neutral) wire to the terminal in the plug which is marked with the letter 'N' or coloured black.

Connect the brown (live) wire to the terminal in the plug which is marked with the letter 'L' or coloured red.

The plug moulded on to the lead incorporates a fuse. For replacement, use a 3 Amp BS1362 fuse. Only ASTA/BSI approved fuses should be used. The fuse cover/carrier must be replaced in the event of changing a fuse.

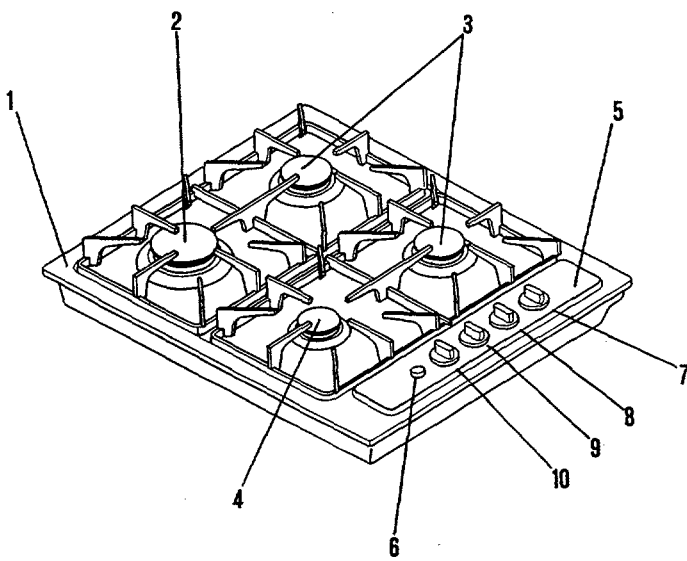
The right fuse cover/carrier colour is the one shown by the coloured insert at the base of the plug.

The plug must not be used if the fuse cover/carrier is lost.

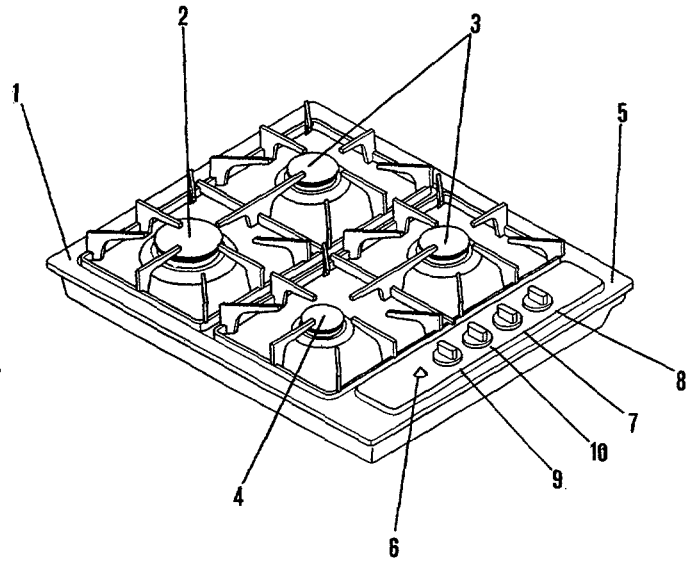
A replacement cover/carrier must be obtained from your local Tricity Bendix after Sales Service whose address and telephone number is listed in the directory toward the back of this instruction book, or you can find your local service centre by looking in your telephone directory under 'T'.

This appliance complies with E.E.C. Directive No. 87/308 relative to radio interference suppression.

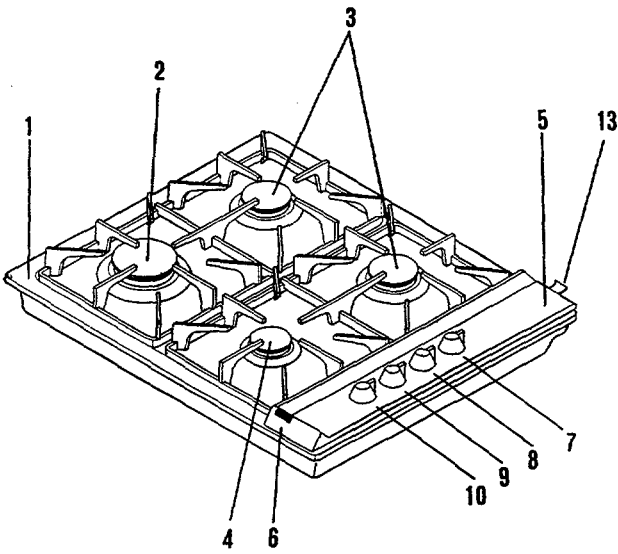
# HOB FEATURES



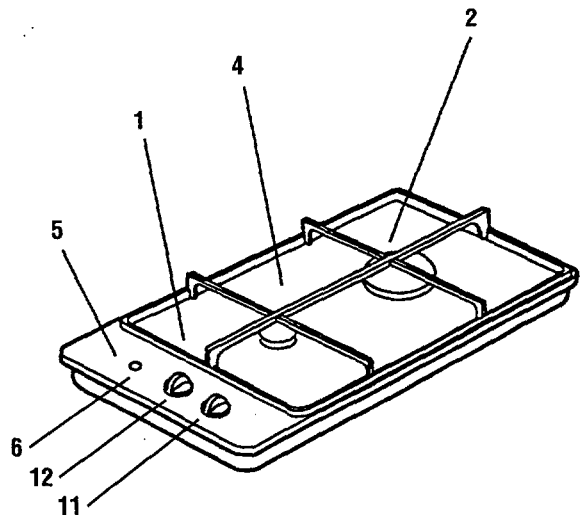
Mod. HG 211 W  
HG 211 B



Mod. HG 215 GR  
HG 211 SS  
HG 242 B  
HG 242 W



Mod. HG 240 W  
HG 240 B



Mod. EG 205 W

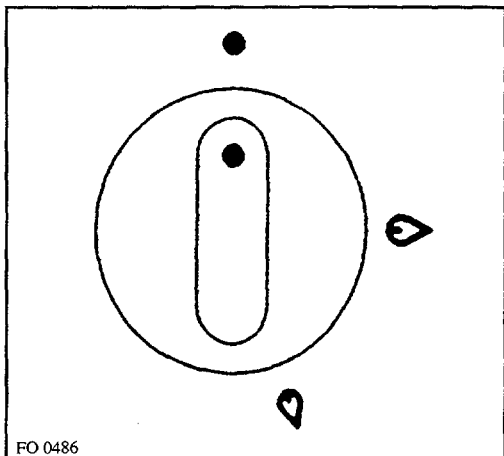
- 1. Hob Top
- 2. Rapid Burner
- 3. Semirapid Burner
- 4. Auxiliary Burner
- 5. Control Panel
- 6. Ignition Push-Button

- 7. Control knob for back left hotplate
- 8. Control knob for back right hotplate
- 9. Control knob for front right hotplate
- 10. Control knob for front left hotplate
- 11. Control knob for back hotplate
- 12. Control knob for front hotplate
- 13. Safety cut off device

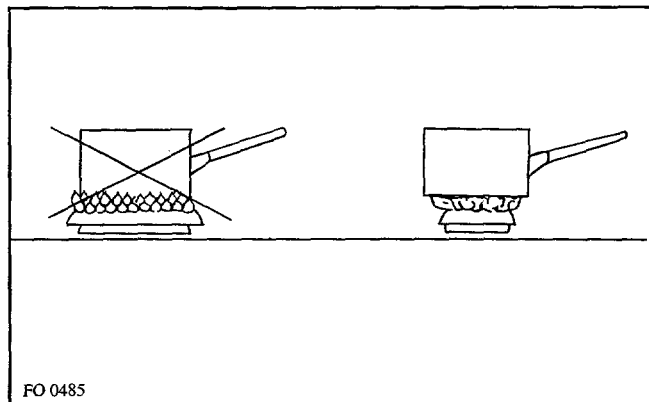
# OPERATION

## HOB BURNERS

To light a burner, turn the relevant knob anti-clockwise to maximum and then depress the ignitor pushbutton marked by a small electric spark symbol.



It is recommended to adjust the flame so that it no larger than the diameter of the base of the saucepan.



Then adjust the flame as required.

To ensure maximum burner efficiency, it is strongly recommended that you use only pots and pans with a bottom fitting the size of the burner being used, so that the flame will not spread beyond the bottom of the vessel. It is also advisable, as soon as liquid starts boiling, to turn down the flame so that it will barely keep the liquid simmering.

### IMPORTANT

Be very careful when frying food in hot oil or fat, as the overheated splashes could easily ignite.

### IMPORTANT

If the control Knobs become difficult to turn, please contact your local Tricity Bendix After Sales Service Centre.

### SAFETY CUT OFF

The models HG 240 are equipped with a safety cut off device which totally interrupts the gas supply of the hob burners by lowering the hob lid.

By lifting up the lid the gas supply is restored. Light the flame by depressing the ignition push button or remember to turn the gas control knobs to the off position.

Under no circumstances should the hob be left unattended when in use.

When operating a burner make sure that the gas is fully ignited.

The control knobs are not designed to be removed. If they are accidentally dislodged, for example during cleaning, make sure they are pushed firmly back into position before attempting to turn them on.

Do not use any type of commercial simmering aid on this hobs.

Where it is possible to use the drawer or drawers directly beneath the hobs store only non-combustable materials in them. It is not advisable to store food in these drawers.

When the hob is being used, open the drawer or drawers fully before removing any equipment.

---

# MAINTENANCE AND CLEANING

---

**Before any maintenance or cleaning can be carried out, you must DISCONNECT the appliance from the electricity supply.**

**For hygiene and safety reasons, this appliance should be kept clean at all times. A build-up of fats or other foodstuffs could result in a fire. Never line any part of the hob with aluminium foil.**

An unsuitable cleaning preparation can do more harm than good, so it is important to note the following:

1. Spillage should be wiped up as it occurs **but care should be taken as the hob will be hot. Before doing any extensive cleaning allow the hob to cool.**
2. The fascia panel and control knobs can be cleaned using soapy water and a damp cloth. Polish dry with a soft cloth.
3. The hob surface, pan support and burners heads can be cleaned using mild abrasive such as "Jif", but take care not to damage the spark electrodes.
4. The pan supports are dishwasher proof, if washing them by hand, take care when drying them as the enamelling process occasionally leaves rough edges.
5. The burner crowns can be removed for cleaning. Wash these parts frequently in hot soapy water. Stubborn stains can be removed by soaking in hot water then scouring them with a soap filled pad such as "Brillo". The burner crown may lose its matt surface after several cleanings but this in no way will impair its function.
6. Do not use any polishes, caustic cleaners, abrasives, washing soda, or soap powder, except as recommended in this booklet.



---

# HELP US TO HELP YOU

---

## Something not working

Before contacting your nearest Tricity Bendix Service Centre, please make the following checks:

### The hob will not work

Check that:

- The electricity supply is connected
- The correct plate has been turned on

### The Plate is not giving satisfactory results

Check that:

- The plate is clean and dry
- The cooking pan is the correct size for the plate
- The cooking pan has a flat base
- The control setting is correct for this type of cooking

If after all these checks, the appliance is still not working satisfactorily, contact your local Tricity Bendix Service Centre.

## Service

The address and telephone number of your local Tricity Bendix Service Centre is detailed on the list headed "Tricity Bendix Service Centres".

When you contact us we need to now:

1. Your name, address and postcode.
2. Your telephone number.
3. Clear and concise details of the fault.
4. The model number.
5. When it was purchased.

Please note that all enquires concerning service should be addressed to your local Service Centre.

## Customer Care

For general enquiries concerning your Tricity Bendix appliance, or further information on Tricity Bendix products, you are invited to contact our Customer Care Department by letter or telephone as follows:

Customer Care Department  
Tricity Bendix Limited  
99, Oakley RD  
Luton  
Beds LU4 9QQ  
Tel.: 01582 - 585858

# TRICITY BENDIX AFTER SALES SERVICE POSTCODE TO SERVICE CENTRE CROSS REFERENCE

Postcode	Telephone	Service Centre	Postcode	Telephone	Service Centre	Postcode	Telephone	Service Centre	
AB	01224-696569	Aberdeen	Guernsey	01481-46931	Guernsey Elec.	PH30-41	01855-821315	Inverness G. Ross	
AL	0181-965 9699	Canvey	HA	0181-9659699	Canvey	PL1-9,16,19-21	01626-65909	Newton Abbott	
B1-48, 62-79 90-94	0121-3587076	Nuneaton	HD	0113-2608511	Leeds	PL10-15,17,18	01209-314407	Redruth	
B49, 50, 60 61, 80, 95-98	01527-512919/ 01993-704411	Redditch	HG	0113-2608511	Leeds	PL 22-35			
BA	0117-9211876	Bristol	HP	0181-9659699	Canvey	PO1-22	01705-667411	South Coast	
BB	0161-4777758	Manchester	HR	01432-340334	Hereford	PO30-41	01983-872552	Isle of Wight	
BD	0113-2608511	Leeds	HS9 Isle of Barra	01871-890206	J. Zerfahs	PR	0151-2541724	Liverpool	
BH	01705-667411	South Coast	HU	01482-585678	Hull	RG	01252-24505	Tonbridge	
BL	0161-4777758	Manchester	HX	0113-2608511	Leeds	RH	01273-694341	Tonbridge	
BN1-18, BN20-27	01273-694341	Tonbridge	IG	01268-694144	Canvey	RM	01268-694144	Canvey	
BR	0181-6589069	Tonbridge	IM	01624-687794	Manx Electricity	S	0113-2608511	Leeds	
BS	0117-9211876	Bristol	IP	01603-667017	Canvey	SA1-18,21-32	01222-460131	Cardiff	
BT1-30	01232-746591	N/I East	IV1-39,52-56	01463-792952	Highland Appliances	SA-19,20,40	01222-461972	Cardiff	
BT36-57	01232-746591	N/I East	IV40-51	01855-821315	Inverness G Ross	SA45-48			
BT63-67	01232-746591	N/I East	Jersey	01534-505050	Jersey Electricity	SA33-39,41-44	01437-710914	Haverfordwest	
BT31-35	01861-510400	N/I West	KA1-26,28-30	0141-6474381	Glasgow	SA61-73			
BT60-62	01861-510400	N/I West	KA27	01773-302909	Arran	SE	0181-6589069	Tonbridge	
BT68-82	01861-510400	N/I West	KT	0181-6589069	Tonbridge	SG	0181-9659699	Canvey	
BT92-94	01861-510400	N/I West	KW1-14	01463-792952	Highland Appliances	Shetland	01595-692855	Bolts	
CA	01228-594747	Cumbria	KW15-17	01856-875457	Refrigeration Sales & Service		01806-566546	Leask Electrical	
CB	0181-9659699	Canvey	KY	0141-6474381	Glasgow	Retailer's own	01595-692915	G. Robertson	
CF	01222-460131	Cardiff	L	0151-2541724	Liverpool	sales	01595-692225	Tait Electronics	
CH	0151-2541724	Liverpool	LA	01772-316175	Lancaster	SK	0161-4777758	Manchester	
CM	012682-694144	Canvey	LD	01432-340334	Hereford	SL	01252-24505	Tonbridge	
CO	012682-694144	Canvey	LE	01203-354424	Nuneaton	SM	0181-6589069	Tonbridge	
CR	0181-6589069	Tonbridge	LL	01745-591616	North Wales	SN	01527-512919	Redditch	
CT	01732-357722	Tonbridge	LN1,2,4-6	01522-514603	Lincoln		01993-704411		
CV	01203-354424	Nuneaton	LN3	01522-514603	Lincoln	SO	01705-667411	South Coast	
CW	0151-2541724	Liverpool	Subcodes 4&5	LN3	01472-267978	S. Humberside	SP	0117-9211876	Bristol
DA	01732-357722	Tonbridge	Subcodes 6only	LN7,11-13	01472-267978	S. Humberside	SR	0191-4932025	Northern
DD	01250-876285	Dundee	LN8-10	01522-514603	Lincoln	SS	01268-694144	Canvey	
DE	0113-2608511	Leeds	LS	0113-2608511	Leeds	ST	0121-3587076	Nuneaton	
DG	01387-265166	Dumfries	LU	0181-9659699	Canvey	SW	0181-6589069	Tonbridge	
DH	01325-301400	Northern	M	0161-4777758	Manchester	SY1-6,8-17, SY19-22	01743-450279	Shrewsbury	
	0191-4932025	Northern	ME	01732-357722	Tonbridge	SY7,18	01432-340334	Hereford	
DL	01325-301400	Northern	MK	0181-9659699	Canvey	SY23-25	01222-461972	Cardiff	
DN1-7,10-12	0113-2608511	Leeds	ML	0141-6474381	Glasgow	TA	0117-9211876	Bristol	
DN8-9,15-20	01472-267978	S. Humberside	N	0181-4433464	Canvey	TD	01573-224411	Borders	
DN21			NE	0191-4932025	Northern	TF	01743-450279	Shrewsbury	
Subcodes 3,4	01472-267978		NG1-22,25	0113-2608511	Leeds	TN	01732-357722	Tonbridge	
DN31-40	01472-267978		NG23,24	01522-514603	Lincoln	TQ	01626-65909	Newton Abbott	
DN14	01482-585678	Hull	NG31-34			TR1-20,26,27	01209-314407	Redruth	
DN21	01522-514603	Lincoln	NN	01203-354424	Nuneaton	TR21-25	0117-9211876	South Coast	
Subcodes 1,2,5			NP1-4,6,9-44	01222-460131	Cardiff	TS	01325-301400	Northern	
DT	01705-667411	South Coast	NP5,7,8	01432-340334	Hereford	TW	0181-6589069	Tonbridge	
Dundee Gas Only	01382-642828	Tayside Refrigeration	NR	01603-667017	Canvey	UB	0181-9659699	Canvey	
DY	0121-3587076	Nuneaton	NW	0181-4433464	Canvey	W	0181-4433464	Canvey	
E	0181-4433464	Canvey	OL	0161-4777758	Manchester	WA (Not 14,15)	0151-2541724	Liverpool	
EC	0181-4433464	Canvey	OX	01527-512919	Redditch	WA14,15	0161-4777758	Manchester	
EH	0141-6474381	Glasgow		01993-704411		WC	0181-4433464	Canvey	
EN	0181-4433464	Canvey	PA1-19,21-23	0141-6474381	Glasgow	WD	0181-9659699	Canvey	
EX1-17	01626-65909	Newton Abbott	PA20	01700-504777	D McGlashan	WF	0113-2608511	Leeds	
EX18-23	01271-328826	Barnstaple	PA24-26,28-61	01369-703161	Argyle	WN	0151-2541724	Liverpool	
EX31-39	01271-328826	Barnstaple	PA62-75	01688-302262	B Hogg Is. of Mull	WR (Not WR 15)	01527-512919	Redditch	
FK	0141-6474381	Glasgow	PA83-87	01851-705555	Isle of Lewis		01993-704411		
FY	0151-2541724	Liverpool	PE1-13,20-25	01522-514603	Lincoln	WR15	01203-354424	Nuneaton	
G	0141-6474381	Glasgow	PE14-19,30-38	01603-667017	Canvey	WS	0121-3585051	Nuneaton	
GL	01527-512919/ 01993-704411	Redditch	PH1-7	0141-6474381	Glasgow	WV	0121-3585051	Nuneaton	
GU1-35	01252-24505	Tonbridge	PH8-18	01250-876285	Dundee	YO1-3,-5,8	0113-2608511	Leeds	
			PH19-26,42-44	01463-792952	Highland Appliances	YO4,11-18,25	01482-585678	Hull	
						YO21,22	01325-310444	Northern	

# TRICITY BENDIX AFTER SALES SERVICE SERVICE CENTRE ADDRESSES

CENTRE	ADDRESS	CENTRE	ADDRESS
ABERDEEN	Tricity Bendix Aftersales Service Northeast Appliance Service 8 Cornhill Arcade Cornhill Drive Aberdeen AB2 5UT	DUNDEE	Tricity Bendix Aftersales Service I Brogan Domestic 41 Leslie Street Blairgowrie Perthshire PH10 6AT
ARGYLL	Tricity Bendix Aftersales Service T.D.C. Refrigeration Briar Hill 7 Hill Street Dunoon Argyll PA23 7AL	GLASGOW	Tricity Bendix Aftersales Service 20 Cunningham Road Clyde Estate Rutherglen Glasgow G73 1PP
BARNSTAPLE	Tricity Bendix Aftersales Service Mc Bain Refrigeration P.O. Box 12 Barnstaple N. Devon EX31 2YB	GUERNSEY	Guernsey Electricity PO Box 4 Vale Guernsey Channel Islands
BORDERS	Tricity Bendix Aftersales Service James Stewart & Son 2-8 Wood Market Kelso Borders TD5 7AX	HAVERFORDWEST	Tricity Bendix Aftersales Service C Butherway 1 Church Road Roch Haverfordwest Dyfed, Wales SA62 6AG
BRISTOL	Tricity Bendix Aftersales Service Unit BE 46 PO Box 372 Bristol BS 99 1UD	HEREFORD	Tricity Bendix Aftersales Service Domestic Repair Centre Unit 3 Bank Buildings Cattle Market Hereford HR4 9HX
CANVEY	Tricity Bendix Aftersales Service 2-4 Sandhurst Kings Road Canvey Island SS8 0QY	HULL	Tricity Bendix Aftersales Service John Sizer Unit 1 Boulevard Unit Factory Estate Hull HU3 4 AY
CARDIFF	Tricity Bendix Aftersales Service Guardian Industrial Estate Clydesmuir Road Tremorfa Cardiff CF2 2QS	INVERNESS	Tricity Bendix Aftersales Service Highland Appliances Unit 3B3 Smithton Industrial Estate Smithton Inverness IV1 2PD
CUMBRIA	Tricity Bendix Aftersales Service E.T.B. Services Carlisle Enterprise Centre James Street Carlisle CA2 5AP	INVERNESS	Tricity Bendix Aftersales Service George Ross Forrestry Workshop Inchree Onich Inverness-shire PH33 6SE
DUMFRIES & GALLOWAY	Tricity Bendix Aftersales Service Allan Crossan (Service) 93 Irish Street Dumfries Scotland DG1 2PQ	ISLE OF ARRAN	Tricity Bendix Aftersales Service Arran Domestic Unit 4 The Douglas Centre Brodick Isle of Arran KA27 8AJ
DUNDEE Gas Only	Tricity Bendix Aftersales Service Tayside Refrigeration 3-7 Blackness Street Dundee DD1 5LR	ISLE OF BARRA	Tricity Bendix Aftersales Service John Zerfahs 244 Bruernish Isle of Barra Western Islands HS9 5QY

<b>CENTRE</b>	<b>ADDRESS</b>	<b>CENTRE</b>	<b>ADDRESS</b>
ISLE OF LEWIS	Tricity Bendix Aftersales Service N.D. Macleod Churchouse 16 James Street Stornoway Isle of Lewis PA87 2QW	MANCHESTER	Tricity Bendix Aftersales Service Unit 30 Oakhill Trading Estate Devonshire Road Worsley Manchester M28 3PT
ISLE OF MAN	Tricity Bendix Aftersales Service Manx Electricity Service Workshop North Quay Douglas, Isle of Man	NEWTON ABBOTT	Tricity Bendix Aftersales Service South West Domestic Service Unit 2 Zealley Industrial Estate Kingsteignton Newton Abbott South Devon TQ12 3TD
ISLE OF MULL	Tricity Bendix Aftersales Service Brian Hogg Braeside Raeric Road Tobermory Isle of Mull PA75 6PU	NORTH WALES	Tricity Bendix Aftersales Service GMS (Cymru) Unit 2 Coed - Parc Abergele Road Rhuddlan Clwyd Wales LL18 5UG
ISLE OF WIGHT	Tricity Bendix Aftersales Service Wyatts Electrical Service 4 Forelands Road Bembridge Isle of Wight PO35 5XW	NORTHERN	Tricity Bendix Aftersales Service PO Box 40 Preston Road Aycliffe Industrial Estate Newton Aycliffe Co. Durham DL5 6XA
JERSEY	Jersey Electricity Company PO Box 45 Queens Road St Helier Jersey Channel Islands JE4 8NY	NORTHERN IRELAND EAST	Tricity Bendix Aftersales Service Unit C3 Edenderry Industrial Estate 326, Crumlin Road Belfast BT14 7EE
LANCASTER	Tricity Bendix Aftersales Service NL Services Unit 333 Ranglet Road Walton Summit Bamber Bridge Preston Lancashire PR5 8AR	NORTHERN IRELAND WEST	Tricity Bendix After sales Service G & O (Armagh) Service Owenmore House Kilwee Business Park Upper Dunmurray Lane Belfast BT17 0HD
LEEDS	Tricity Bendix Aftersales Service 64-66 Cross Gates Road Leeds LS15 7NN	NUNEATON	Tricity Bendix Aftersales Service Unit 23-24 Alliance Business Park Townsend Drive Nuneaton Warwickshire CV11 6RX
LINCOLN	Tricity Bendix Aftersales Service Brian Hudson Unit 8 Stonefield Park Clifton Street Lincoln LN5 8AA	ORKNEY	Tricity Bendix Aftersales Service Refrigeration Sales and Services Hatson Ind. Estate Kirkwall Orkney KW15 1RE
LIVERPOOL	Tricity Bendix Aftersales Service 1 Honeys Green Precinct Honeys Green Lane West Derby Liverpool L12 9JH	REDDITCH	Tricity Bendix Aftersales Service Heming Road Washford Redditch Worcestershire B98 0DH

<b>CENTRE</b>	<b>ADDRESS</b>	<b>CENTRE</b>	<b>ADDRESS</b>
REDRUTH	Tricity Bendix After Sales Service Cornwall Domestic Service Unit 7D Pool Industrial Estate Wilson Way Redruth Cornwall TR15 3QW	SHETLAND	Tricity Bendix Aftersales Service Leask Electrical Harsdale Symbister Whalsay Shetland ZE2 9AA
ROTHSAY	Tricity Bendix Aftersales Service D McGlashan Walker Engineering Glenmhor Upper Serpentine Rothsay Strathclyde PA20	SHREWSBURY	Tricity Bendix Aftersales Service BLI Service 6, Harlescott Barn Harlescott Lane Shrewsbury Shrops SY1 3SY
SHETLAND	Aftersales Service George Robertson 3/4 Carlton Place Lerwick Shetland ZE1 0ED	SOUTH COAST	Tricity Bendix Aftersales Service Limmerline Road Hilsea, Portsmouth Hampshire PO3 5JJ
SHETLAND	Tricity Bendix Aftersales Service Tait Electronic Systems Ltd Holmsgarth Road Lerwick Shetland ZE1 0PW	SOUTH HUMBERSIDE	Tricity Bendix Aftersales Service John Robinson (Electrical) 81 Pasture Street Grimsby DN32 9EP
SHETLAND	Tricity Bendix Aftersales Service Bolts Shetland Ltd. 26 North Road Lerwick Shetland ZE1 0PE	TONBRIDGE	Tricity Bendix Aftersales Service Unit 30 Deacon Trading Estate Morley Road Tonbridge Kent TN9 1RA

---

# GUARANTEE FOR 12 MONTHS

---

## TRICITY BENDIX STANDARD GUARANTEE CONDITIONS

This guarantee is in addition to your statutory and other legal rights.

We, Tricity Bendix undertake that if, within the 12 months of the date of the purchase, this Tricity Bendix appliance or any part thereof is proved to be defective by any reason only of faulty workmanship or materials, we will, at our option, repair or replace the same **FREE OF ANY CHARGE** for labour, materials or carriage on condition that:

- \* The appliance has been correctly installed and used only on the gas and electricity supply stated on the rating plate.
- \* The appliance has been used for normal domestic purpose only, and in accordance with the manufacturer's operating and maintenance instructions.
- \* The appliance has not been serviced, maintained, repaired, taken apart or tampered with by any person not authorised by us.

All service work under this guarantee must be undertaken by a Tricity Bendix Service representative or authorised agent.

Any appliance or defective part replaced shall become the property of Tricity Bendix.

Home visits are made between 9.00am and 5.00pm Monday to Friday. Visit may be available outside these hours, in which case a premium will be charged.

## EXCLUSIONS

**This guarantee does not cover:**

- \* Damage or calls resulting from transportation, improper use or neglect, the replacement of any light bulbs or removable parts of glass or plastic.
- \* Costs incurred for calls to put right machines improperly installed or calls to machines outside the UK and the Republic of Ireland.
- \* Appliances found to be in use within a commercial or similar environment, plus those which are the subject to rental agreements.
- \* Products of Tricity Bendix manufacture which are NOT marketed by Tricity Bendix.
- \* EU Countries - The standard guarantee is applicable but subject to owner's responsibility and cost to ensure the appliance meets the standards set by the country to which the product is taken. Electrolux After Sales Service in the country concerned with the Tricity Bendix have an arrangement will be pleased to advise further. Sight of your receipt will be required by them.

# **TRICITY BENDIX**

**Better Products. Better Value.**

TRICITY BENDIX, 99 OAKLEY ROAD, LUTON, BEDFORDSHIRE, LU4 9QQ.

A Division of Emaco Limited - Registered in England No. 176547 - Registered Office. 101 Oakley Road, Luton LU4 9RJ.

MODEL NO.

HG 211 - HG 240 - HG 215 GR - EG 205 - HG 242

PART NO.

**35662-2107**

## Free Manuals Download Website

<http://myh66.com>

<http://usermanuals.us>

<http://www.somanuals.com>

<http://www.4manuals.cc>

<http://www.manual-lib.com>

<http://www.404manual.com>

<http://www.luxmanual.com>

<http://aubethermostatmanual.com>

Golf course search by state

<http://golfingnear.com>

Email search by domain

<http://emailbydomain.com>

Auto manuals search

<http://auto.somanuals.com>

TV manuals search

<http://tv.somanuals.com>