



600 mm Built In Oven

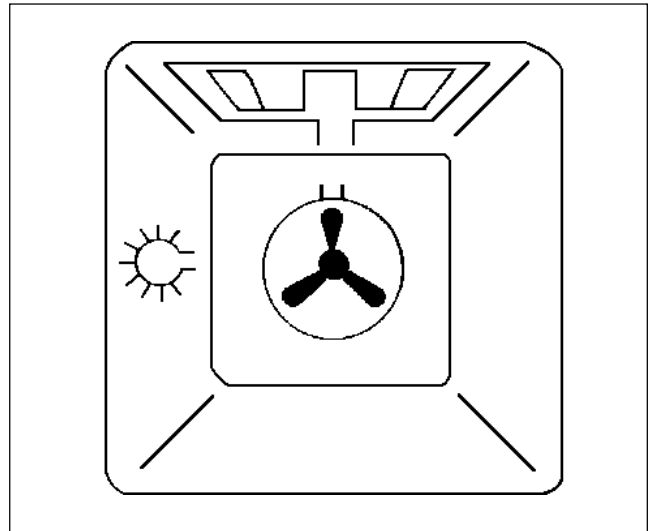
OPERATING AND INSTALLATION INSTRUCTIONS

MODEL
BS 621/2

TECHNICAL DETAILS

MODEL NO. BS 621/2

| | |
|----------|---|
| Voltage: | 230/240 Volts AC 50 Hz |
| Wattage: | 2.7/2.9kW |
| Height: | 595 mm |
| Width: | 595 mm |
| Depth: | 545 mm (excluding handles and knobs) |
| Weight: | 37kg |



This appliance complies with: European Council Directive 73/23/EEC.
EMC Directive 89/336/EEC.
CE Marking Directive 93/68/EEC.

CONTENTS

Please follow these instructions step by step to install and operate your oven safely and easily.

| | |
|--|----|
| Technical Details | 2 |
| Contents | 3 |
| Preface | 5 |
| Safety | 6 |
| Before Installation | 6 |
| During Operation | 6 |
| After Use | 7 |
| General | 7 |
| Installation Instructions | 8 |
| Things You Need to Know | 8 |
| Warnings | 8 |
| Things to Note | 8 |
| Getting Things Ready | 8 |
| Choice of Electrical Connection | 8 |
| Preparing Cabinet for Fitting Oven | 9 |
| Recommended Cabinet Dimensions | 10 |
| How to Finish Unpacking | 11 |
| Tools Required | 11 |
| Making the Electrical Connections | 11 |
| Preparing Cable | 11 |
| To Remove Cover of Mains Terminal | 11 |
| Connecting to the Mains Terminal | 12 |
| Connecting to a Hob or Cooker Point | 12 |
| Checking Electrical Connections | 12 |
| Fitting Into The Cabinet | 13 |
| Introduction | 14 |
| Getting to Know Your Oven | 14 |
| Rating Plate | 15 |
| General Notes on Using your Oven | 15 |
| When First Switching On | 15 |
| About Condensation and Steam | 15 |
| Cookware | 15 |
| The Cooling Fan for the Controls | 15 |
| Control Panel Indicator Neon | 15 |
| Grill and Oven Furniture | 16 |
| The Oven Timer | 17 |
| The Dual Grill | 19 |
| Uses of the Grill | 19 |
| Selecting the Grill | 19 |
| Things to Note | 20 |
| The Grill Pan and Handle | 20 |
| Hints and Tips | 20 |
| Grilling Chart | 21 |

CONTENTS

| | |
|--|----|
| The Fan Oven | 22 |
| Uses of the Fan Oven | 22 |
| Selecting the Fan Oven | 22 |
| Things to Note | 23 |
| To Fit the Oven Shelves | 23 |
| Hints and Tips | 23 |
| Oven Cooking Chart | 24 |
| Roasting Chart | 25 |
| Thermal Grilling | 26 |
| Uses of Thermal Grilling | 26 |
| Selecting Thermal Grilling | 26 |
| Things to Note | 26 |
| Hints and Tips | 27 |
| Thermal Grilling Chart | 27 |
| Defrosting | 28 |
| Uses of Defrost Feature | 28 |
| Selecting Defrost | 28 |
| Things to Note | 28 |
| Hints and Tips | 28 |
| Helpful Hints when Buying and Preparing Food | 29 |
| Care and Cleaning | 30 |
| Cleaning Materials | 30 |
| Cleaning the Outside of the Cooker | 30 |
| Cleaning Inside the Oven/Grill | 30 |
| Cleaning the Grill Deflector, Grill Pan, Grill Pan Grid and Oven Shelves | 30 |
| Cleaning Between the Outer and Inner Door Glass | 30 |
| Care of Stayclean Surfaces | 31 |
| Hints and Tips | 31 |
| Replacing the Oven Light Bulb | 32 |
| Something Not Working? | 33 |
| Service and Spare Parts | 34 |
| Tricity Bendix Service Centres | 35 |
| Guarantee Conditions | 37 |

PREFACE

Dear Customer,

Thank you for buying a Tricity Bendix built-in oven. With our 80 years experience in developing and manufacturing the very best in U.K. cookers, you can be assured that you have purchased a hard working, reliable, quality cooker.

In addition Tricity Bendix cookers comply with British Standard safety and performance requirements. They have been approved by BEAB (British Electrotechnical Approvals Board) and are covered by a 12 month parts and labour guarantee.

In order that you get the best from your new Tricity Bendix cooker, the following instructions have been prepared. PLEASE MAKE SURE YOU READ THEM CAREFULLY. Particular attention should be paid to cooking times and temperatures which may differ from your previous cooker.

It is most important that this instruction book is retained with the cooker for future reference. Should the cooker be sold, or transferred to another owner, or should you move house and leave the cooker, always ensure that the book remains with the cooker so that the new owner can be acquainted with the functioning of the cooker and the relevant warnings.

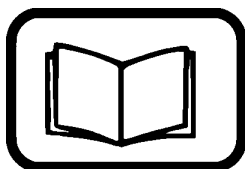
Please read the whole instruction book before attempting to use the cooker ensuring you follow the recommendations given.



SAFETY

THESE WARNINGS ARE PROVIDED IN THE INTERESTS OF YOUR SAFETY. ENSURE THAT YOU UNDERSTAND THEM ALL BEFORE INSTALLING OR USING THE COOKER.

PLEASE
READ
CAREFULLY



BEFORE INSTALLATION



This cooker is heavy and care **must** be taken when moving it.



Ensure that all packaging, both inside and outside the cooker has been removed before the appliance is used.



Do not try to move the cooker by pulling the door handles.

The cooker must be installed according to the instructions supplied. Any electrical installation work **must** be undertaken by a qualified electrician/competent person.



It is dangerous to alter or modify the specifications of the cooker in any way.



After installation, please dispose of the packaging with due regard to safety and the environment.

DURING OPERATION

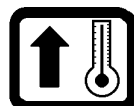


Do not use this cooker if it is in contact with water. **Never** operate it with wet hands.

This cooker is designed to be operated by adults. Young children **must not** be allowed to tamper with the cooker or play with the controls.



Caution accessible parts especially around the grill area may become hot when the cooker is in use. Children should be **kept away** until it has cooled.



Take **great care** when heating fats and oils as they will ignite if they become too hot.

This cooker has been designed for cooking edible foodstuffs only, and **must not** be used for any other purposes.



Never place plastic or any other material which may melt in the oven or on the hob.



Ensure cooking utensils are large enough to contain foods to prevent spillages and boil overs.



Take care to follow the recommendations given for tending the food when grilling. Use the handle provided in the recommended way.



Do not leave the handle in position when grilling as it will become hot.



Always use oven gloves to remove and replace food in the oven. Similarly always use oven gloves to remove and replace the grill pan handle when grilling.

Recommendations given on page 20.



Ensure that you support the grill pan when it is in the withdrawn or partially withdrawn position.

Ensure that all vents are left unobstructed to ensure ventilation of the oven cavity.

Ensure that the anti-tilt shelves are put in place correctly. Refer to instructions on page 23.

Never line any part of the cooker with aluminium foil. **Do not** allow proof cooking material, e.g. roasting bags to come into contact with oven elements.



Always stand back from the cooker heatproof cooking material, e.g. any build up of steam or heat to release.



Stand clear when opening the drop down oven door. **Do not** allow it to fall open - support it using the door handle until it is fully open.



Do not place sealed cans or aerosols inside the oven. They may explode if they are heated.

AFTER USE

Ensure that all control knobs are in the OFF position when not in use.



For hygiene and safety reasons this cooker should be kept clean at all times. A build-up of fats or other foodstuffs could result in a fire, especially in the grill pan.



Do not leave utensils containing foodstuffs, e.g. fat or oil in or on the cooker in case it is inadvertently switched ON.

Cookers and hobs become **very hot**, and retain their heat for a long period of time after use. Children should be kept well away from the cooker until it has cooled.

GENERAL



Under no circumstances should repairs be carried out by inexperienced persons as this may cause injury or serious malfunction. This cooker should be serviced by an authorised Service Engineer and only genuine approved spare parts should be used. Details of servicing and repair arrangements are supplied on page 34 of this book.



Do not stand on the cooker or on the open oven door.



Do not hang towels, dishcloths or clothes from the cooker or its handle. They are a safety hazard.



Always allow the cooling fan to cool the cooker down before switching off at the wall prior to carrying out any cleaning or maintenance work.



Only clean this cooker in accordance with the instructions given in this book.

Your safety is of paramount importance.

Therefore, if you are unsure about any of the meanings of these WARNINGS contact the:

**Consumer Care Department
Telephone: (01635) 525542**

INSTALLATION INSTRUCTIONS

THINGS YOU NEED TO KNOW

WARNINGS:

- This cooker must be installed by a qualified electrician/competent person. Safety may be impaired if installation is not carried out in accordance with these instructions.
- This cooker must be earthed.
- Do not remove the screws from the earth tab extending from the oven mains terminal block (Fig. 8).
- Before connecting the cooker make sure that the voltage of your electricity supply is the same as that indicated on the rating plate. The rating plate can be seen by opening the oven door and looking below the oven door seal.
- Do not alter the electrical circuitry of this cooker.

THINGS TO NOTE

- This cooker is designed to be fitted in cabinets of the recommended dimensions as shown (Fig. 3 and 4) without any modification to the cabinet.
- If your cabinet interior dimension is between 565-570 mm the oven may still be fitted. However, a minor modification to the cabinet will be required.
- The dimensions given provide adequate air circulation around the unit within the cabinet, ensuring compliance with BS EN60-335.
- Enquiries regarding the installation of the cooker point if required should be made to your Regional Electricity Company to ensure compliance with their regulations.
- The cooker point should be within 2m of the cooker to make it accessible to switch off the cooker in case of an emergency.
- To protect the hands wear gloves when lifting the oven into its housing.

NOTE: HOUSE CIRCUIT

Earth leakage and continuity tests must be carried out before the cooker is connected to the mains supply and re-checked after fitting.

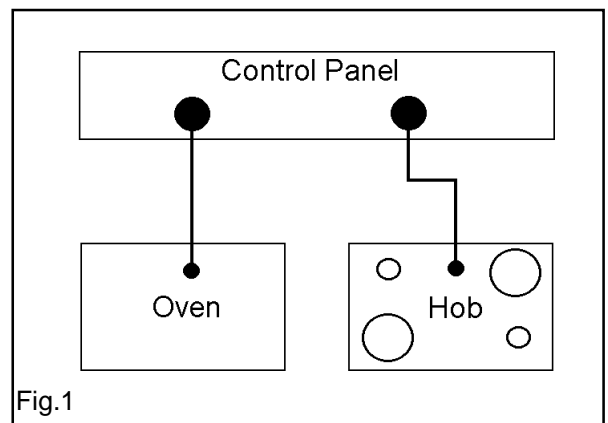
GETTING THINGS READY

CHOICE OF ELECTRICAL CONNECTION

- There are two possible ways to connect your cooker, please choose from the most appropriate after reading the descriptions.
- a) It is recommended that this appliance is wired with suitably rated cable (min 13 A), into fixed wiring using a double pole isolator with at least 3mm contact separation in all poles and neutral, located within 2m of the appliance. If this fixed wiring circuit is only supplying the cooker, then a fuse of 13A (or circuit breaker) should be incorporated. When the circuit combines oven and hob, then wire and fuse rating should be increased accordingly.

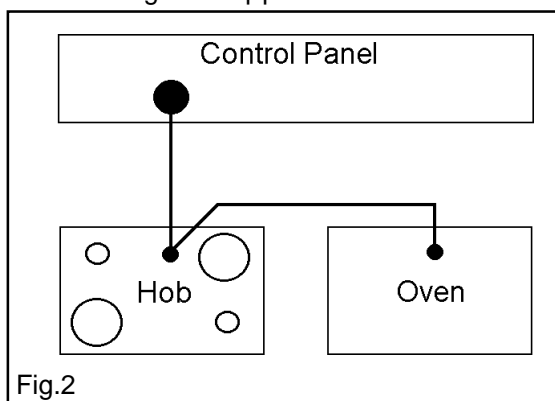
Subject to Regional Electricity Company regulations if you wish to connect the oven and hob to the power supply you may use one of the following two methods:-

- b) If you wish to connect an oven and a hob to a cooker point you can:-
 - i) By connecting the oven and hob separately to the cooker point. Oven and hob units should be separately connected to a control panel. In this case the cooker should be operated from 6mm² twin core, and earth, PVC insulated multicore cable. See Fig. 1.



- ii) By connecting the cooker point to the hob and then connecting the hob to the oven. Provided that the hob manufacturer permits it, connect the oven to the hob and the hob to the cooker point using the same cabling as described in (a) above. Check the hob terminal block is large enough to take two cables and is of suitable rating. If not b) i) on page 8 must be used. See Fig. 2.

NOTE: 13 amp cable is not suitable for connecting this application.



NOTE: It is good practice to:

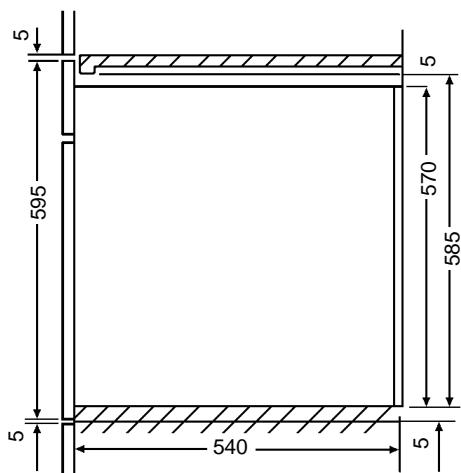
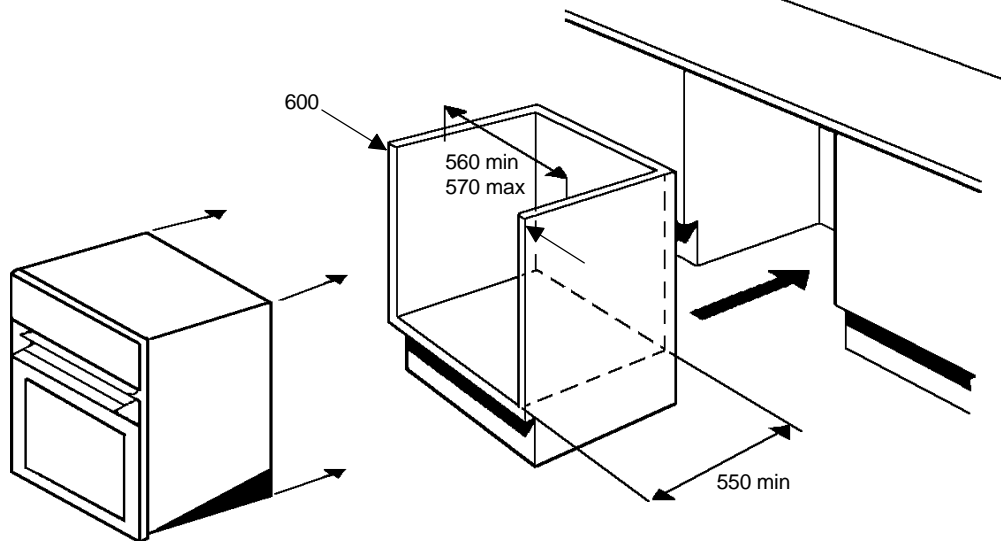
- Fit an Earth Leakage Circuit Breaker to your house wiring.
- Wire your appliance to the latest IEE regulations.

PREPARING CABINET FOR FITTING OF OVEN

- Make sure the cabinet is the correct size for the appliance to be fitted (Ref. Fig. 3 and 4.)
- If the size is between 565-570mm, then the cabinet should be modified so that at the screw fixing points the recommended dimension of at least 560-565mm is maintained. The modification should ideally be localised to ensure that after screw fitment the oven is **securely** fixed into position.
- The cabinet must be stable and level by firmly securing it to the wall or floor. If necessary, make arrangements to ensure the shelf upon which the oven will rest is level.

RECOMMENDED CABINET DIMENSIONS (IN MILLIMETRES)

Fig. 3 Built Under Installation



Cross section through cabinet showing oven positioned

Cross section through cabinet showing oven positioned

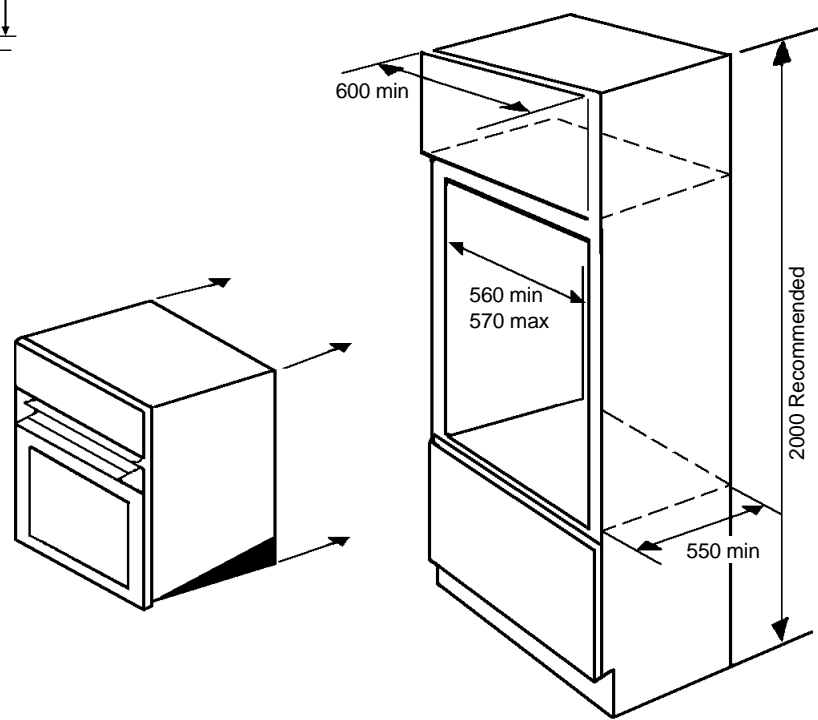
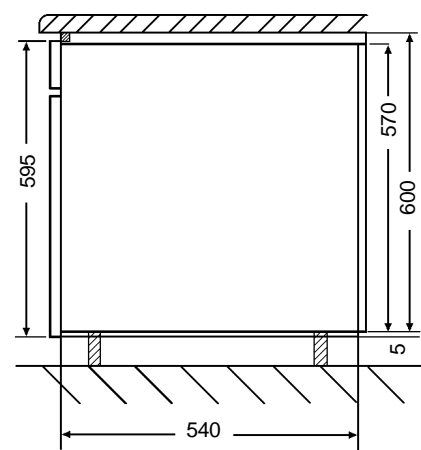


Fig.4 Built In Installation

HOW TO FINISH UNPACKING

- Place packed cooker next to the cabinet in which it will be installed.
- Remove the cooker packing except for bottom tray which should be left in position until the cooker is ready to be fitted into its cabinet.
- Ensure the owner is given these operating instructions.

TOOLS REQUIRED

The following tools will be needed and it helps to assemble them before starting to install the oven:-

A terminal screwdriver (3mm wide blade)
A pozidrive screwdriver
Pliers
Wirestrippers
Knife
Sidecutters
Adhesive Tape
Tape Measure

MAKING THE ELECTRICAL CONNECTIONS

Important: Switch off at mains, miniature circuit breaker and, if appropriate, remove fuse before commencing any electrical work

PREPARING CABLE

We recommend you use a new length of cable to ensure your safety.

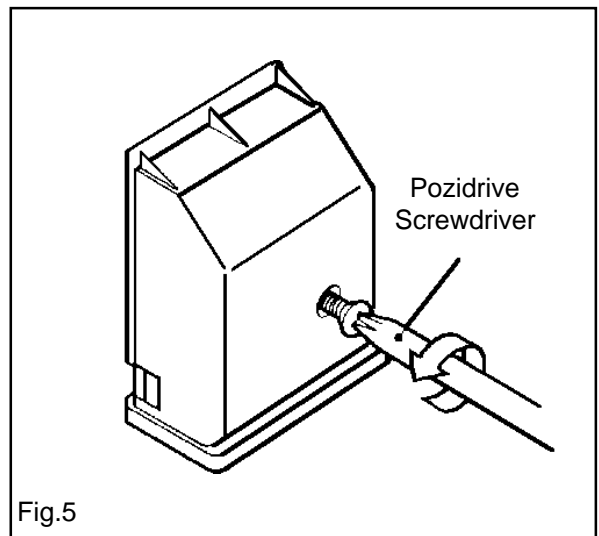
- Ensure you have the correct length of cable appropriate to the wiring method you are using. When fitting new cable allow sufficient cable for removal of the unit at a later date, should it be necessary.
- Score, but do not cut through, around the sheathing with a knife 100mm (4in) from each end of the cable and break through to the encased wires by bending the cable backwards and forwards to fatigue the sheathing.

- Carefully score down from each end of the cable sheathing along the length of the bare earth wire (if a cut was made along the length of the live and neutral wires, it might cut into their sheathing) to the cuts already made.
- Carefully prise open the sheathing at each end of the cable to expose the encased wiring.

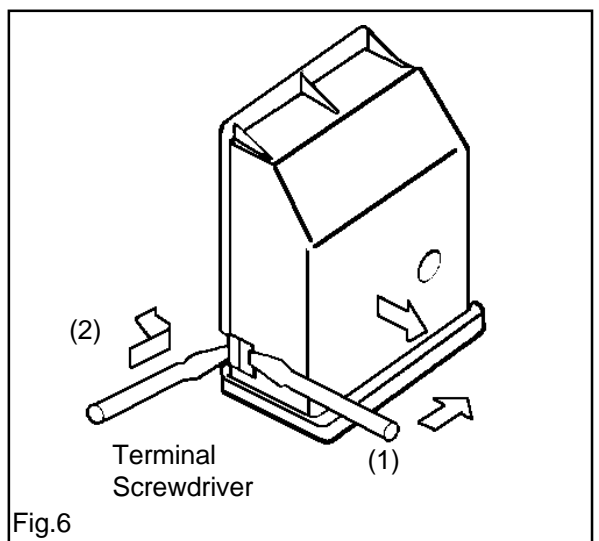
TO REMOVE COVER OF MAINS TERMINAL

From the rear of the cooker, remove mains input terminal cover to gain access to terminal block.

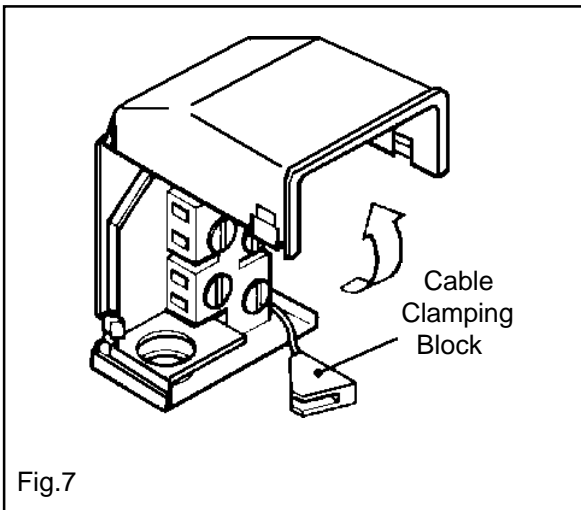
- First remove retaining screw with pozidrive screwdriver. See Fig. 5.



- Prise cover loose using screwdriver in position (1) then lever off with screwdriver in position (2) at either side. See Fig. 6.



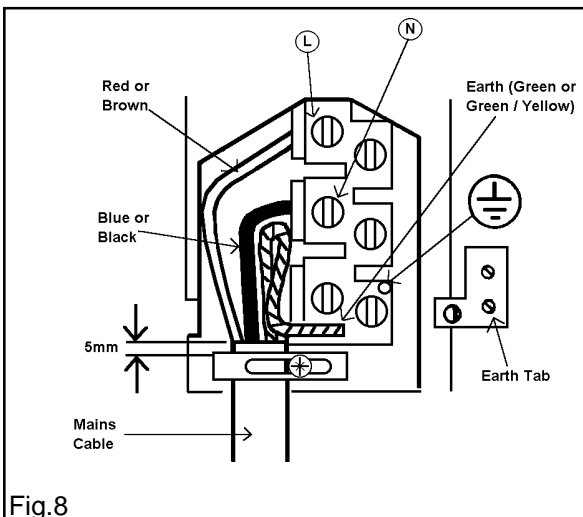
- Lift cover and remove screw from cable clamp. See Fig. 7.



CONNECTING TO THE MAINS TERMINAL

Warning: This cooker must be earthed.

- Make connection as shown in Fig. 8 by proceeding as follows:-



- Preform wires to the appropriate shape to suit fitting into the mains terminal block.
- Strip inner insulation on wires using wirestrippers.
- Twist the bared wires using pliers.
- Cut bared wires 10mm away from the end of the inner insulation. Where uninsulated Earth wires are used ensure they are suitably sheathed to leave 10mm bare wire to fit into the terminal.
- Clamp bare wires into the relevant terminal and check they are held by tugging each one in turn.

- Clamp the mains cable securely ensuring 5mm of the outer insulation is inside the terminal block and that the wires are not taught but not so slack as to cause any fouling. See Fig.8.

- Place fuse/ miniature circuit breaker in circuit and switch on at mains.

CONNECTING TO A HOB OR COOKER POINT

- Either follow in general terms the instructions for connecting to the terminal block or refer to the hob suppliers installation instructions.

Feed the cable through the cabinet and arrange to route the cable away from the cooker which may become hot.

CHECKING ELECTRICAL CONNECTIONS

- Confirm the cooker is correctly connected by switching on and observing the various oven functions indicators.
- The electronic timer will flash on and off.

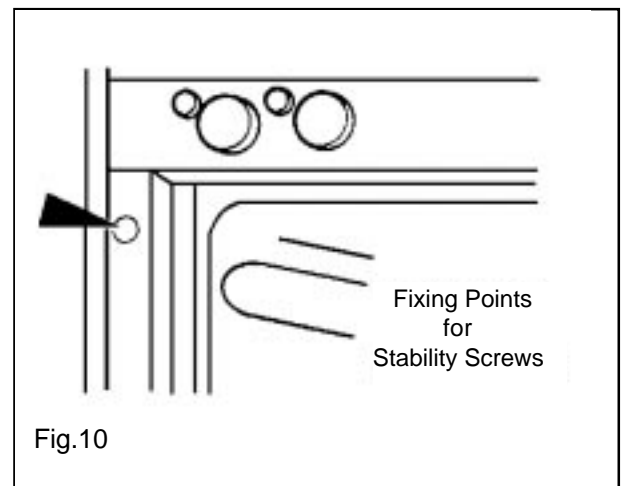
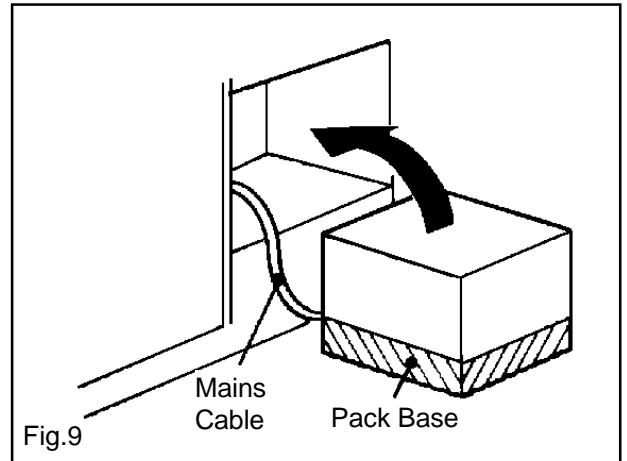
NOTE: HOUSE CIRCUIT

Earth leakage and continuity tests must be carried out before the cooker is connected to the mains supply and re-checked after fitting.

FITTING INTO THE CABINET

IMPORTANT: Ensure that the oven is switched off at the wall before any further work is carried out.

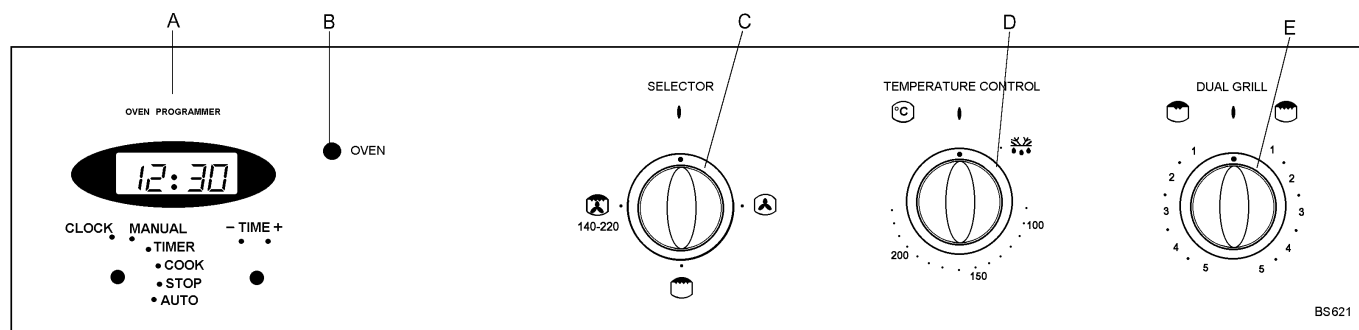
- Using a tape measure establish the internal width of the cabinet. Refer to page 8 if greater than 565mm.
- Position the cooker in front of the cabinet. See Fig. 9.
- Take out all oven furniture before installation to reduce the weight you need to lift. The oven door should be taped up to keep it closed whilst lifting.
- To place the cooker into the cabinetry follow the procedure below:-
- N.B. Two people will be required to carry out the lifting procedure.
 - a) Each person should squat either side of the cooker.
 - b) Tilt the cooker so that your hands can support the underside of the cooker.
 - c) Keeping your back straight, raise the appliance to the cabinet by straightening at the knees.
 - d) Rest the rear underside of the cooker on the cabinet floor while your hands support the front.
 - e) The cooker can be pushed fully into the cabinet. Take care to avoid fouling the mains lead.
 - f) Ensure the cooker is central in the cabinet and level.
 - g) When the cooker is fully housed, screw the stability screws (supplied with the cooker) into the side of the cabinet taking care not to distort the side trims (see Fig.10). It is advisable to turn each screw alternately to avoid damaging the trims.
 - h) Switch on the cooker then refer to the operating instructions in the following pages.






INTRODUCTION

WARNING: THIS COOKER MUST BE EARTHED

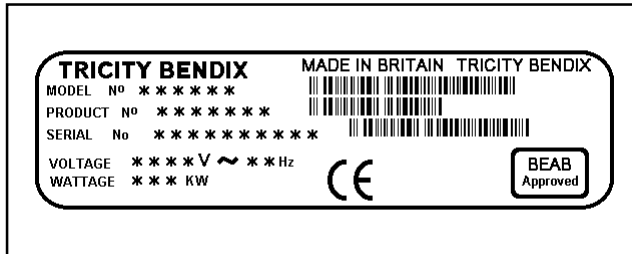
GETTING TO KNOW YOUR OVEN



- A - Electronic Oven Timer
- B - Oven Indicator Neon
- C - Selector
 -  Thermal Grill
 -  Full Grill
 -  Fan Oven
- D - Oven Temperature Control
- E - Dual Grill Control

RATING PLATE

Record the model, product and serial numbers on the back cover of this instruction book from the rating plate. This is situated on the lower front frame of the cooker and can be seen upon opening the oven door.



The cooker must be protected by a suitably rated fuse or circuit breaker. The rating of the cooker is given on the rating plate.

GENERAL NOTES ON USING YOUR OVEN

We suggest that you run all the elements for a short period to burn off any residue from their surfaces. To do this, run the oven at 220°C for approximately 45 minutes. The procedure should be repeated with the grill for approximately 5 - 10 minutes. During this period an unpleasant odour may be emitted, it is therefore advisable to open a window for ventilation.

WHEN FIRST SWITCHING ON

The timer must be set to manual before the oven can be operated. See page 17. This must be done whenever the cooker is switched off at the wall or when there has been a power failure. If the oven indicator neon does not glow when the controls are switched on, it is most likely that the timer is set for automatic cooking.

ABOUT CONDENSATION AND STEAM

When food is heated it produces steam in the same way as a boiling kettle does. The oven is vented to allow some of this steam to escape. However, always stand back from the cooker when opening the oven door to allow any build up of steam or heat to release.

If the steam comes into contact with a cool surface on the outside of the cooker, e.g. a trim, it will condense and produce water droplets. This is quite normal and is not caused by a fault on the cooker.

To prevent discolouration, regularly wipe away condensation and also soilage from surfaces.

COOKWARE

Baking trays, oven dishes etc., should not be placed directly against the grid covering the fan at the back of the oven.

Do not use baking trays larger than 30cm x 35cm (12" x 14") as they will restrict the circulation of heat and may affect performance.

THE COOLING FAN FOR THE CONTROLS

The cooling fan comes on immediately when the grill is switched on and after a short time when the oven is in use.

During the initial period the cooling fan may cycle ON and OFF, this is quite normal.

It runs on after the controls are switched off until the appliance has cooled. If an automatic programme has been set, the cooling fan does not come on until the cooktime begins.

Do not switch off the cooker at its power point before the cooling fan has cooled the appliance down.

CONTROL PANEL INDICATOR NEON

This light indicates whether the oven is switched ON. The neon also indicates when the set temperature has been reached.

If the neon does not operate as the instructions indicate the controls have been incorrectly set. Return all controls to zero and reset following the instructions for the required setting.

When the oven is set for automatic cooking the neon should remain unlit during OFF periods.

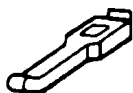
GRILL AND OVEN FURNITURE

The following items of oven furniture have been supplied with the cooker.

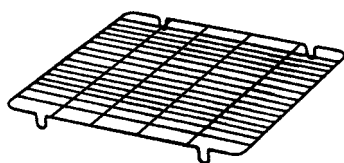
1 grill pan



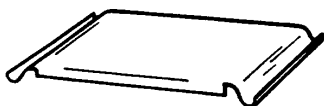
1 grill pan handle



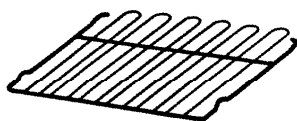
1 grill pan grid



1 grill deflector



2 straight shelves



Scuffing of the Stayclean oven lining by the oven furniture pack may occur during transit.

These marks will disappear after the elements have been burnt off for the first time.

THE TIMER

Please note that this is a 24 hour clock, for example 2.00 pm is shown as 1400.

In the following pages we explain how to set the controls. Read through them a few times until you are familiar with the procedure.

If the oven is switched off on the wall, or there is a loss of power, the clock will stop and you will not be able to use the oven. When you first switch the electricity supply on, the timer display will flash.

TO SET THE TIME OF DAY

Turn the selector knob to 'manual' then turn to 'clock'.

Set the correct time by turning and holding the setting knob clockwise. Adjust the time by turning the setting knob in either direction.

Turn the selector knob back to 'manual'.

THINGS TO NOTE: TO CHANGE THE AUDIBLE SIGNAL

When the setting knob is turned anti-clockwise, a choice of three audible signals are available. To select the choice of signal required, rotate knob anti-clockwise and release. Repeat procedure to choose desired signal.

TO USE THE MINUTE MINDER

Turn the selector knob to 'timer'. Turn the setting knob clockwise until the display shows the time you want. The bell symbol (🔔) will be showing and this will stay lit up during the time. Our diagram shows the timer set to 5 minutes.

If you change your mind and want to cancel the time you have set, simply turn the setting knob anticlockwise. Then turn the selector to 'manual'.

When you are using the minute minder you can make the clock show the time of day by turning the selector knob to 'manual'. The bell symbol will stay on to remind you that the minute minder is set. At the end of the timed period an alarm will sound and the bell symbol will go out.

Switch off the alarm by turning the selector knob to 'clock'. Then turn to 'manual' and the time of day will show in the display.

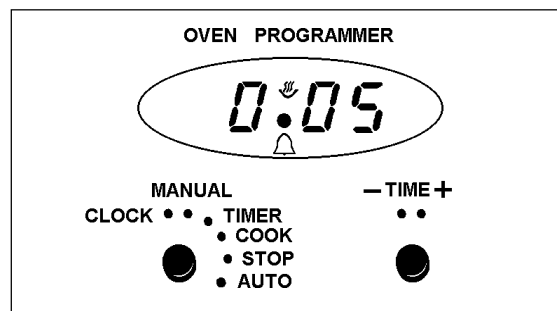
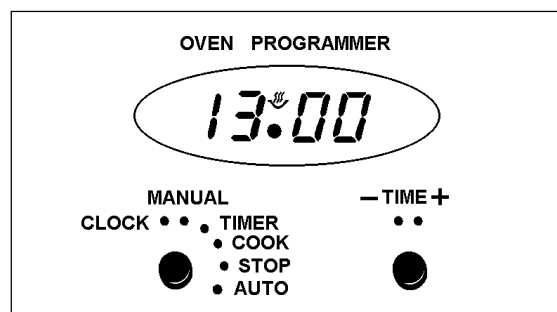
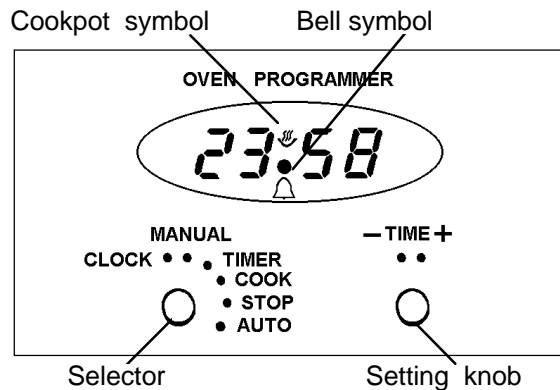
Note:

You can use the minute minder when an automatic sequence has been set, as long as you remember the following point.

- 1 Turn the selector knob to 'Auto' as soon as you have entered the timed period into the display.



AUTOMATIC CONTROL

When you use the automatic controls for the first time it's probably best to choose a time when you are at home. That way you can check to make sure you've set everything correctly and you'll feel much more confident when you are away from home in the future.



SETTING THE CONTROLS FOR AUTOMATIC USE

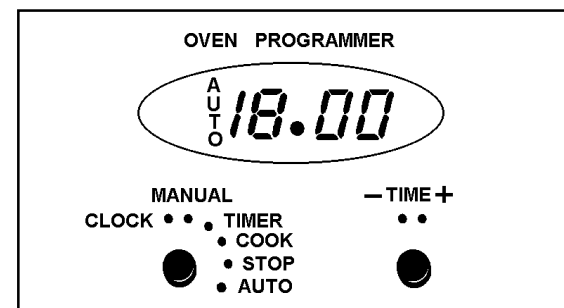
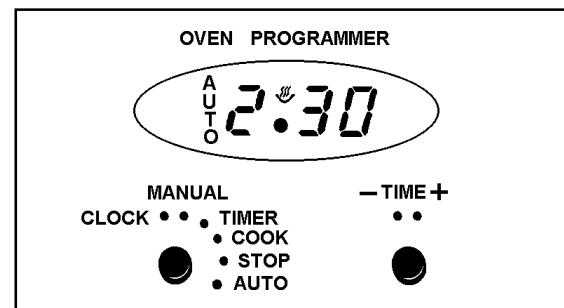
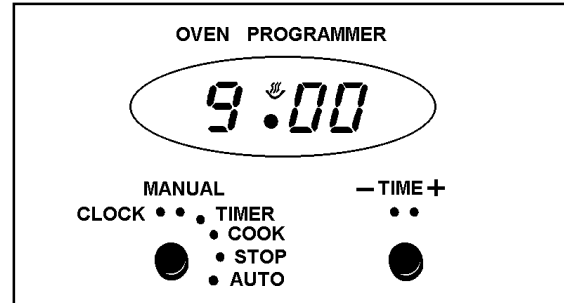
This is very easy. All you have to do is work through the steps below. The clock will work out the rest for itself.

- | | | |
|---|---|--|
| 1 | Is the electricity supply on? | |
| 2 | Is the clock showing the correct time? | To adjust turn the selector knob to 'manual' then turn to 'clock'. Turn the setting knob in either direction. |
| 3 | How long will the food take to cook? | Turn the selector knob to 'cook'. Then turn the setting knob until the length of time you want the food to cook shows in the display. The maximum cooking time is 10 hours. 'Auto' will show in the display. |
| 4 | What time do you want the food to be cooked by? | Turn the selector knob to 'Stop'. Turn the setting knob until the time the oven is to switch off shows in the display. The cookpot () will go out. The 'Stop' time must not be more than 23 hours 59 minutes from the time of day. For example if the time of day is 9.00 am the latest 'Stop' time will be 8.59 am the next day. |
| 5 | Set to automatic. | Turn the timer selector knob to 'Auto'. |
| 6 | Turn on the oven control. | Turn the oven control to the required setting and the Selector control to (). |

The time shown on the right gives an example of setting the automatic controls when the time is 9.00 am, the food is to be cooked for 2½ hours and the food is needed at 6.00 pm (1800 hours).

The clock will work out what time the oven will switch itself on and it will turn the oven off at the end. Once the automatic sequence is finished there will be an alarm to remind you that you need to set the oven for manual operation. To do this turn the timer selector knob to 'manual'. Turn off the oven controls.

If you change your mind and want to cancel a programme that you have set simply turn to 'clock' and then to 'manual'.



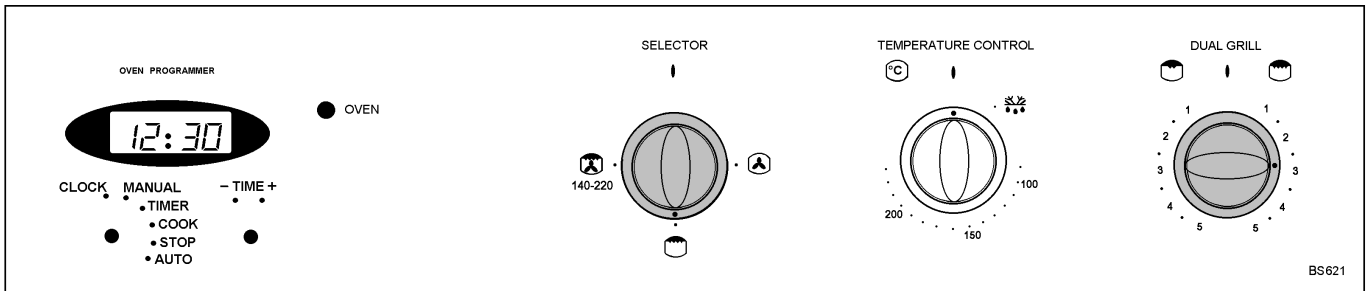
THE DUAL GRILL

USES OF THE DUAL GRILL

CAUTION - ACCESSIBLE PARTS MAY BECOME HOT WHEN THE GRILL IS IN USE. CHILDREN SHOULD BE KEPT AWAY.

The grill is a dual circuit grill which means that the full area of the grill can be used or the centre section only can be used for economy purposes when cooking smaller quantities of food.

SELECTING THE GRILL



1) Turn the selector to dual grill.



2) Turn the grill control clockwise for full grill or anticlockwise for the centre section only.

THINGS TO NOTE

THE OVEN DOOR MUST BE LEFT OPEN DURING GRILLING

- The cooling fan for the controls will operate when grilling.
- The outer grill element may appear to glow slightly brighter than the inner element. This is quite normal.
- The grill operates independently of the oven.

THE GRILL PAN AND HANDLE

The grill pan is supplied with a removable handle.

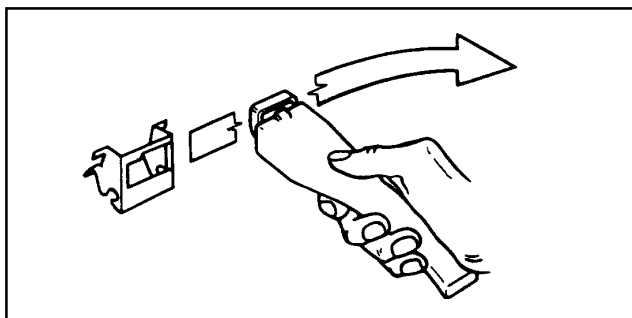
To insert the handle, press the button on the handle with the thumb and pivot the handle slightly upwards inserting the lip into widest part of the bracket. Move the handle towards the left, lower into position and release the button.

Ensure the handle is positively located.

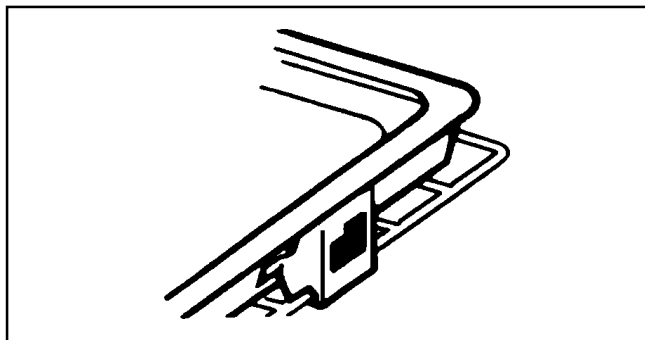
To remove the handle, press the button on the handle with the thumb and pivot the handle slightly upwards and towards the right to remove from the bracket.

Ensure your hand is protected when removing the grill pan handle as the grill element can become very hot.

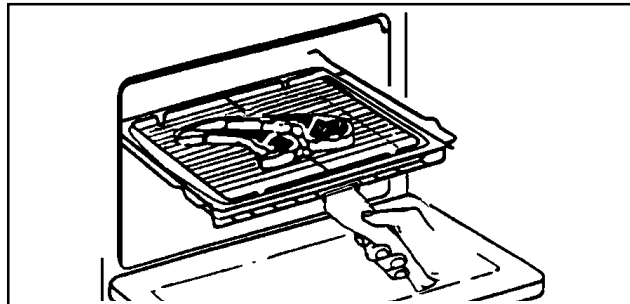
ALWAYS REMOVE THE GRILL PAN HANDLE DURING GRILLING.



To correctly locate the grill pan on the shelf, ensure that the cut out on the underside of the handle bracket locates over the front bar of the shelf.

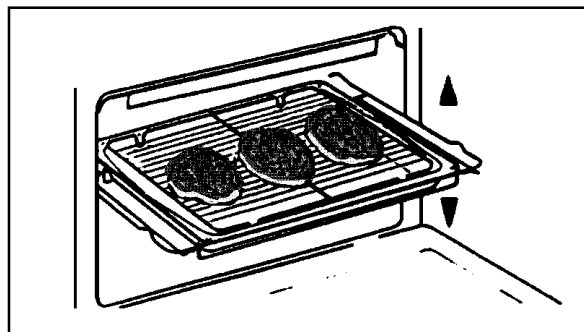


To check the progress of the food being grilled, the grill pan should be withdrawn on the shelf to attend to food during cooking or the carrier shelf can be lifted away from the cooker and rested on a heat resistant work surface.

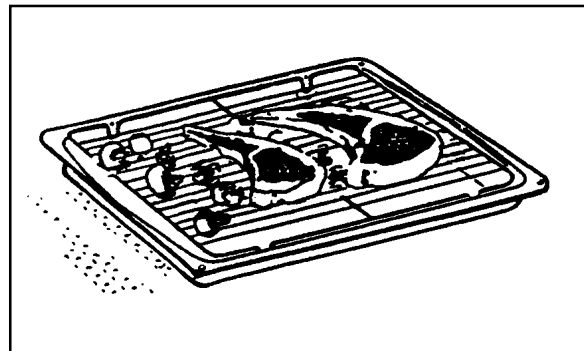


HINTS AND TIPS

- Most foods should be placed on the grid in the grill pan to allow maximum circulation of air to lift the food out of the fats and juices. Food such as fish, liver and kidneys may be placed directly on the grill pan if preferred.
- Adjust the grid and grill pan runner position to allow for different thicknesses of food. Position the food close to the element for faster cooking and further away for more gentle cooking.



- Food should be thoroughly dried before grilling to minimise splashing. Brush lean meats and fish lightly with a little oil or melted butter to keep them moist during cooking.
- Accompaniments such as tomatoes and mushrooms may be placed underneath the grid when grilling meats.



- Cook toast and rare steaks using the preheated full heat grill. All other foods cook very successfully on thermal grill.
- When toasting bread, we suggest that the top runner position is used with the grid in its 'High' position.
- Preheat the grill on full setting for a few minutes before sealing steaks or toasting. Adjust the heat setting and the shelf as necessary during cooking.
- The food should be turned over during cooking as required.

GRILLING CHART

| FOOD | SHELF | GRILL TIME (mins in total) |
|--------------------------------|-------|-------------------------------|
| Bacon Rashers | 4 | 5-6 |
| Beefburgers | 4 | 10-15 |
| Chicken Joints | 4 | 30-40 |
| Chops - Lamb | 4 | 15-20 |
| Pork | 4 | 20-30 |
| Fish - Whole Trout/Mackerel | 4 | 15-25 |
| Fillets - Plaice/Cod | 3 | 8-12 |
| Kebabs | 4 | 20-30 |
| Kidneys - Lamb/Pig | 4 | 8-12 |
| Liver - Lamb/Pig | 4 | 10-20 |
| Sausages | 4 | 20-30 |
| Steaks - Rare | 4 | 6-12 |
| Medium | 4 | 12-16 |
| Well Done | 4 | 14-20 |
| Toasted Sandwiches | 4 | 3-4 |

Shelf positions are counted from the bottom of the oven upwards.

The times quoted above are given as a guide and should be adjusted to suit personal taste.



USES OF THE FAN OVEN

The oven is heated by the element around the fan situated behind the back panel. The fan draws air from the oven, the element heats the air which is circulated into the oven via the vents in the back panel. The advantages of fanned oven cooking are:

PREHEATING

The fan oven quickly reaches its temperature, so it is not usually necessary to preheat the oven. Without preheating, however, you may find you need to add an extra 5-10 minutes on the recommended cooking times. For recipes needing high temperatures, e.g. bread, pastries, scones, soufflés, etc., best results are achieved if the oven is preheated first.

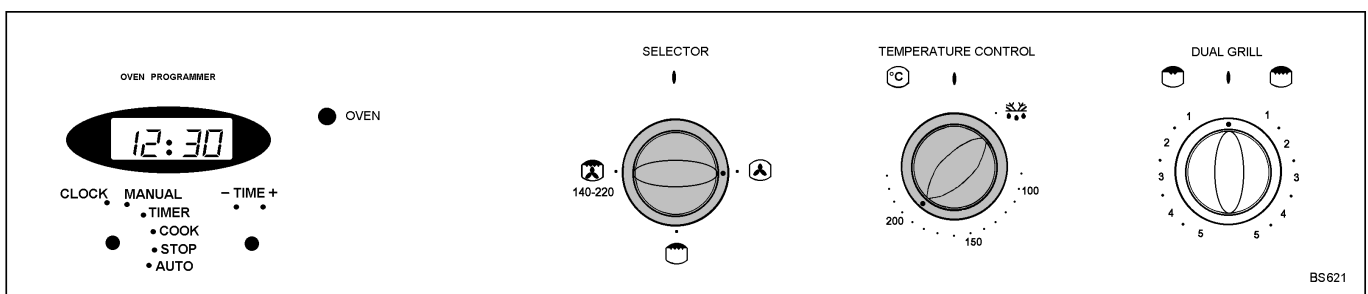
COOKING TEMPERATURES


Fan oven cooking generally requires lower temperatures than conventional cooking. Follow the temperatures recommended in the chart on page 24. As a guide reduce temperatures by about 20°C-25°C for your own recipes.

BATCH BAKING

The fan oven cooks evenly on all shelf levels, especially useful when batch baking.

SELECTING THE FAN OVEN



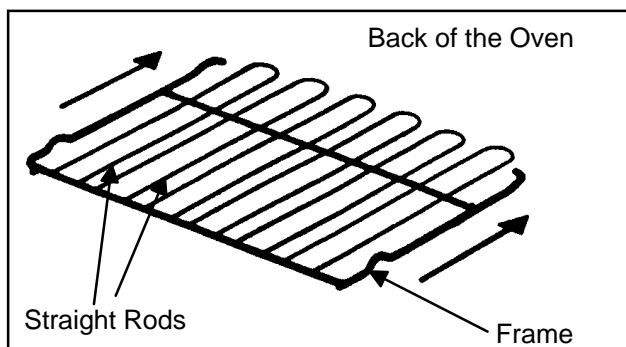
- 1) Ensure the selector is set to Fan Oven. 
- 2) Turn the temperature control to the required setting.

THINGS TO NOTE

- The oven neon will glow until the oven has reached the desired temperature and then go out. It will cycle ON and OFF periodically during cooking showing that the temperature is being maintained.
- The oven fan will operate continually during cooking.
- The interior oven light will come on when the temperature is selected.
- If an automatic programme is set, the oven fan and light do not come on until cooking begins.

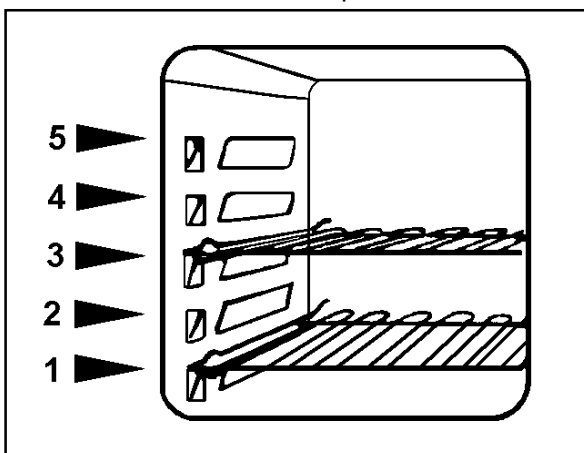
TO FIT THE OVEN SHELVES

The shelves should be fitted with the straight rods uppermost on the frame and the forms towards the back of the oven. If not fitted correctly the anti-tilt and safety stop mechanism will be affected.



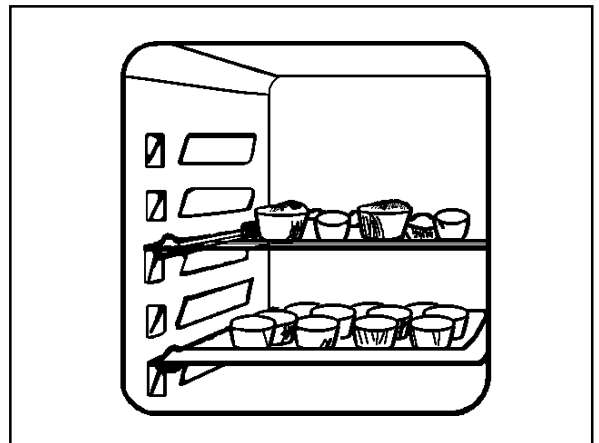
HINTS AND TIPS

- Arrange the shelves in the required positions before switching the oven ON. Shelves are numbered from the bottom upwards.

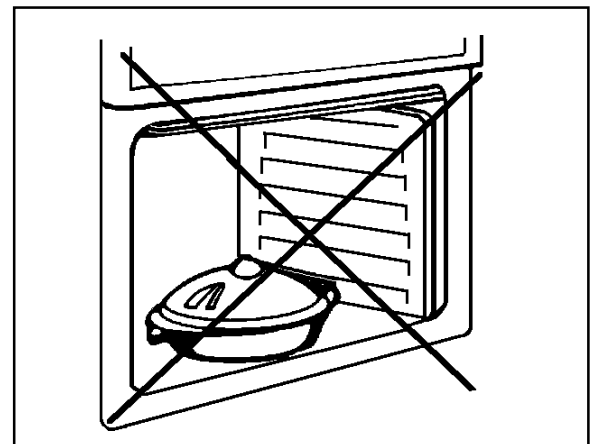


- When cooking more than one dish in the fan oven, place dishes centrally on different shelves rather than cluster several dishes on one shelf, this will allow the heat to circulate freely for the best cooking results.

- When batch baking one type of food, e.g. Victoria sandwich cakes, those of similar size will be cooked in the same time.



- It is recommended that when baking larger quantities the shelf positions should be evenly spaced to suit the load being cooked. A slight increase in cooking time may be necessary.
- **DO NOT** place baking trays directly on the oven floor as it interferes with the oven air circulation and can lead to base burning; use the lower shelf position. However, non-critical dishes may be placed on the oven base when more space is required.



- The use of excessively high temperatures can cause uneven browning. It may be necessary to reduce temperatures slightly. Refer to the recommendations given in the oven cooking chart see page 24.

OVEN COOKING CHART

The oven temperatures are intended as a guide only. It may be necessary to increase or decrease the temperatures by 10°C to suit individual preferences and requirements.

| FOOD | FAN OVEN | |
|---------------------------|----------------|-----------------------------------|
| | SHELF POSITION | COOKING TEMP °C |
| Biscuits | | 180-190 |
| Bread | | 200-220 |
| Bread rolls/buns | Shelf | 200-220 |
| Cakes: | | |
| Small & Queen | positions | 160-170 |
| Sponges | | 160-170 |
| Victoria Sandwich | are not | 160-170 |
| Madeira | critical | 140-150 |
| Rich Fruit | | 130-140 |
| Christmas | but ensure | 130-140 |
| Gingerbread | that oven | 140-150 |
| Meringues | | 80-100 |
| Flapjack | shelves are | 170-180 |
| Shortbread | | 130-140 |
| Casseroles: | evenly | 140-160 |
| Beef/lamb | | 140-160 |
| Chicken | spaced | 180-190 |
| Convenience Foods | | Follow manufacturers instructions |
| Fish | when more | 170-190 |
| Fish Pie (Potato Topped) | than one is | 190-200 |
| Fruit Pies and Crumbles | used | 190-200 |
| Milk Puddings | | 130-140 |
| Pasta, Lasagne etc. | | 190-200 |
| Pastry: | | |
| Choux | | 190-200 |
| Eclairs, Profiteroles | | 170-180 |
| Flaky/Puff Pies | | 210-220 |
| Shortcrust-Mince Pies | | 190-200 |
| Meat Pies | | 190-210 |
| Quiches, Tarts, Flans | | 180-210 |
| Patés and Terrines | | 150-160 |
| Roasting Meat, Poultry | | 160-180 |
| Scones | | 210-220 |
| Shepherd's Pie | | 190-200 |
| Soufflés | | 170-180 |
| Vegetables: | | |
| Baked Jacket Potatoes | | 180-190 |
| Roast Potatoes | | 180-190 |
| Stuffed Marrow | | 180-190 |
| Stuffed Tomatoes | | 180-190 |
| Yorkshire Puddings: Large | | 210-220 |
| Individual | | 200-210 |

ROASTING CHART

| ROASTING CHART | | |
|--|-----------|--|
| INTERNAL TEMPERATURES - Rare : 50-60°C; Medium : 60-70°C; Well :70-80°C | | |
| MEAT | FAN OVEN | COOKING TIME |
| Beef | 160-180°C | 20-35 min per ½kg/1lb and 20-35 min over |
| Beef, boned | 160-180°C | 20-35 min per ½kg/1lb and 25-35 min over |
| Mutton and Lamb | 160-180°C | 25-35 min per ½kg/1lb and 25-35 min over |
| Pork and Veal | 160-180°C | 30-40 min per ½kg/1lb and 30-40 min over |
| Ham | 160-180°C | 30-40 min per ½kg/1lb and 30-40 min over |
| Chicken | 160-180°C | 15-20 min per ½kg/1lb and 20 min over |
| Turkey and Goose | 160-180°C | 15-20 min per ½kg/1lb up to 3½kg/7lb then 10 min per ½kg/1lb |
| Duck | 160-180°C | 25-35 min per ½kg/1lb and 25-30 min over |
| Pheasant | 160-180°C | 35-40 min per ½kg/1lb and 35-40 min over |
| Rabbit | 160-180°C | 20 min per ½kg/1lb and 20 min over |
| Potatoes with meat | 160-180°C | according to size |
| Potatoes without meat | 180-190°C | according to size |

The roasting temperatures and times given in the chart should be adequate for most joints, but slight adjustments may be required to allow for personal requirements and the shape and texture of the meat. However, lower temperatures and longer cooking times are recommended for less tender cuts or larger joints.

Wrap joints in foil if preferred, for extra browning uncover for the last 30 - 60 min. cooking time.

THERMAL GRILLING



USES OF THERMAL GRILLING

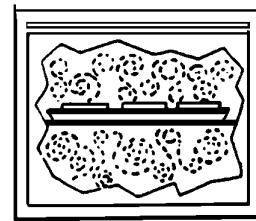
Thermal grilling offers an alternative method of cooking food items normally associated with conventional grilling.

The grill element and the oven fan operate together, circulating hot air around the food. The need to check and turn food is reduced. Thermal grilling helps to minimise cooking smells in the kitchen and allows you to grill with the oven door closed.

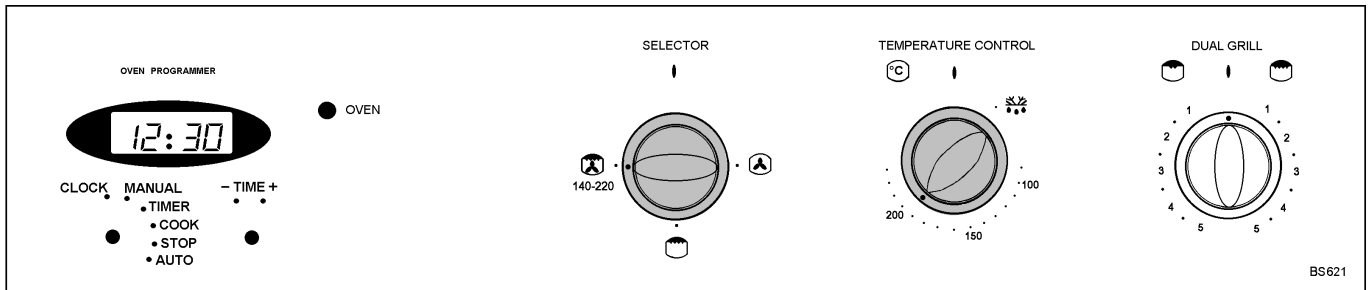
With the exception of toast and rare steaks you can thermal grill all the foods you would normally cook under a conventional grill.


The lower part of the oven can be used to cook accompaniments at the same time, e.g. tomatoes and mushrooms with a mixed grill or breakfast.

Dishes prepared in advance such as shepherd's pie, lasagne and au gratins can be heated through and browned on the top using the thermal grilling function.



SELECTING THERMAL GRILLING



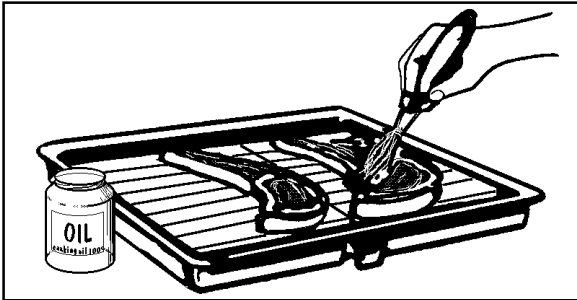
- 1) Turn the selector to Thermal Grill. 
- 2) Turn the oven temperature control to the required setting. (A temperature of between 140°C and 220°C is suitable for thermal grilling). Use the grilling chart on page 27 as a guide.

THINGS TO NOTE

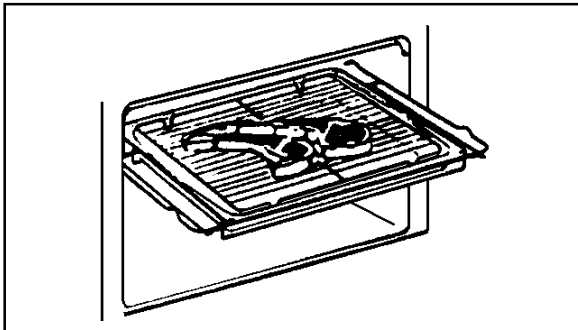
- The oven indicator neon will glow until the oven has reached the desired temperature and then go out. It will cycle ON and OFF showing that the oven temperature is being maintained.
- The cooling fan for the controls will operate immediately in conjunction with the thermal grilling function. It may cycle on and off during the initial period which is quite normal.
- The internal light will come on.
- **Warning:** Do not auto-time this function.
- Thermal grilling helps to minimise cooking smells in the kitchen and is carried out with the oven door closed and the grill pan handle removed.

HINTS AND TIPS

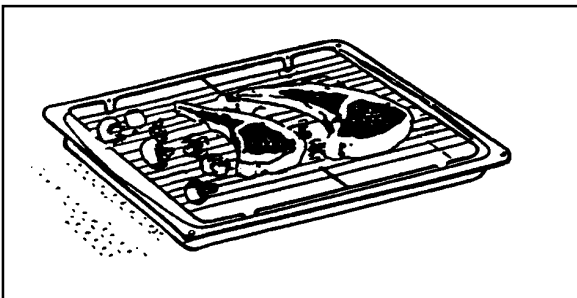
- Prepare foods in the same way as for conventional grilling. Brush lean meats and fish lightly with a little oil or butter to keep them moist during cooking.



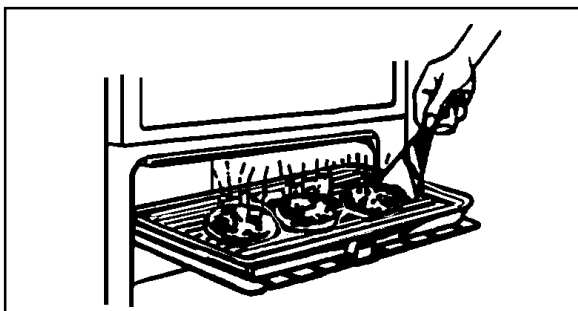
- Most food should be placed on the grill pan grid in the 'high' position in the grill pan to allow maximum circulation of air around the food.



- Accompaniments such as tomatoes and mushrooms may be placed below the grid when grilling meats, or in a separate dish on a lower shelf.



- Foods will cook more quickly the closer they are to the grill element and the higher the temperatures selected. Be prepared to adjust temperatures and shelf positions during cooking if necessary.
- Turn food over during cooking as necessary.



- Ensure that ready prepared or cooked chilled dishes e.g. shepherds pie, moussaka, lasagne, etc., are piping hot throughout before serving.
- A temperature range of 140-220°C and shelf positions 3 and 4 are suitable for most foods. Be prepared to make suitable adjustments during cooking to suit individual requirements. If thermal grilling on more than one level, it may be necessary to interchange the food on the shelves during cooking.

COOKING TIMES

Cooking is more gentle, therefore food generally takes a little longer to cook when thermal grilling compared with conventional grilling. One of the advantages is that larger loads can be cooked at the same time.

A general guide to cooking times is given below but these times may vary slightly depending on the thickness and quantity of food being cooked.

THERMAL GRILLING CHART

| FOOD | SHELF | TEMP (°C) | TIME (mins in total) |
|--|-------|-----------|----------------------|
| Bacon Rashers | 3 | 200 | 8-12 |
| Beefburgers | 3 | 190 | 10-15 |
| Chicken Joints | 3 | 160 | 35-45 |
| Chops -Lamb/Pork | 3 | 170 | 20-25 |
| | 3 | 170 | 25-35 |
| Fish -Whole | | | |
| Trout/Mackerel | 3 | 170 | 10-20 |
| Fillets -Plaice/Cod | 3 | 170 | 10-15 |
| Kebabs | 4 | 170 | 20-30 |
| Kidneys -Lamb/Pig | 3 | 180 | 10-15 |
| Liver -Lamb/Pig | 3 | 180 | 20-30 |
| Sausages | 3 | 190 | 10-15 |
| Steaks -Medium | 4 | 220 | 8-10 |
| | | | each side |
| Steaks -Well Done | 4 | 220 | 10-12 |
| | | | each side |
| Heating through and Browning, e.g. au-gratin, lasagne, shepherd's pie. | 3 | 170 | 20-30 |
| | | | depends on size |

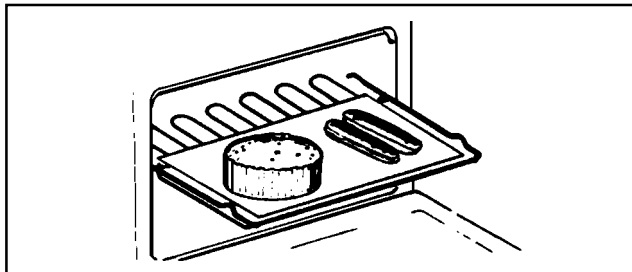
NOTE: Shelf positions are counted from the bottom of the oven.

The times quoted above are given as a guide and should be adjusted to suit personal taste.

DEFROSTING

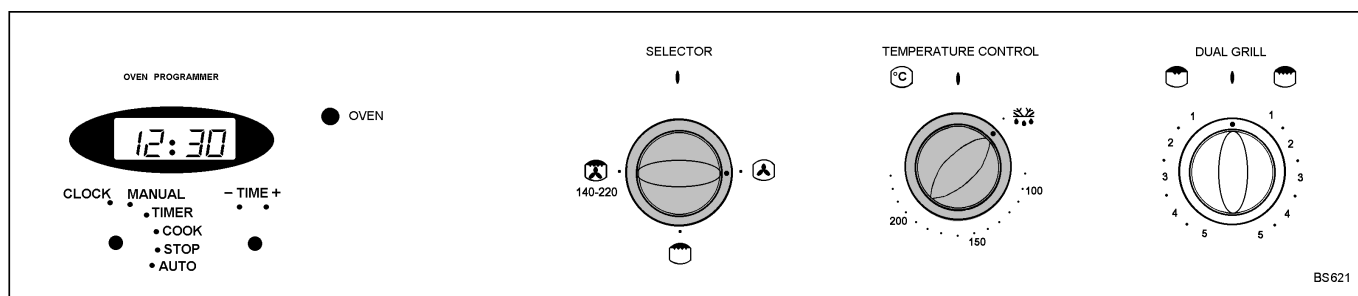
USES OF DEFROST FEATURE



This function enables you to defrost most foods faster than some conventional methods as the oven fan circulates air around the food. It is particularly suitable for delicate frozen foods which are to be served cold e.g. cream filled gateaux, cakes covered with icings or frostings, cheesecakes, biscuits, scones etc.



It is preferable to thaw fish, meat and poultry slowly in the fridge. However, this process can be accelerated by using the defrost function.

SELECTING DEFROST

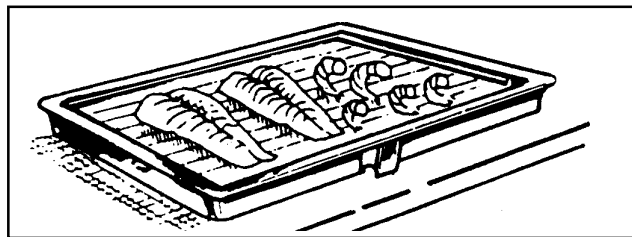


- 1) Turn the selector to fan oven. 
- 2) Turn the oven temperature control to defrost setting 

THINGS TO NOTE

- The oven light will illuminate.
- The indicator neon should remain unlit.
- When defrost is selected, the oven indicator neon may occasionally come ON. It will stay ON until the oven reaches room temperature and then go OFF. It may cycle ON and OFF periodically during defrosting to maintain steady room temperature inside the oven.
- Care must always be taken when handling foods in the home. Always follow the basic rules of food hygiene to prevent bacterial growth and cross contamination when defrosting, preparing, cooking, cooling and freezing foods.

Small or thin fish fillets, frozen peeled prawns, cubed or minced meat, liver, thin chops, steaks etc., can be thawed in 1 - 2 hours.



A 1kg/2¼lb oven ready chicken will be thawed in approximately 5 hours. Remove the giblets as soon as possible during the thawing process.

Joints of meat up to 2kg/4½lb in weight can be thawed using the defrost function.

ALL JOINTS OF MEAT AND POULTRY MUST BE THAWED THOROUGHLY BEFORE COOKING.

ALWAYS COOK THOROUGHLY IMMEDIATELY AFTER THAWING.

HINTS AND TIPS

- Place the frozen food in a single layer where possible and turn it over half way through the defrosting process.
- The actual speed of defrosting is influenced by room temperature. On warm days defrosting will be faster than on cooler days.
- **DO NOT** leave food at room temperature once it is defrosted. Cook raw food immediately or store cooked food in the fridge.

HELPFUL HINTS WHEN BUYING AND PREPARING FOOD

Care must be taken when handling foods in the home. Always follow the basic rules of food hygiene to prevent bacterial and microbial growth and cross contamination when preparing, reheating, cooking, cooling, defrosting and freezing foods.

1. Always ensure food you purchase is of good quality and in prime condition. Shop at a reliable source and buy the 'freshest' looking package - avoid shop worn labels or produce covered in dust.
2. Avoid buying chilled or frozen products if you cannot store them straight away. The use of an insulated container when shopping is advisable.
3. Buy and consume foods prior to the 'Sell by' or 'Best Before' date.
4. When you arrive home, place perishable foods in the refrigerator or freezer immediately. Ensure they are well covered to prevent them drying out and to prevent any possible cross contamination with bacteria from raw to cooked foods.
5. Follow the cooking instructions on packets of prepacked and cook chill foods, but be prepared to adjust cooking times and temperatures to suit your particular oven. For example, the Fan Oven generally requires 20-25°C lower temperature than a conventional oven.
6. Always ensure that cook chill foods are thoroughly reheated until they are piping hot throughout.
7. It is preferable to defrost frozen foods slowly in the refrigerator. Alternatively, a microwave cooker or the Defrost function on your oven may be used.
8. Always cook defrosted foods immediately after thawing. Thawed food should never be refrozen.
9. Joints of meat and poultry should be thoroughly defrosted before cooking.

10. Cook meat thoroughly - use a meat thermometer if preferred, which penetrates the joint to check that the centre temperature has reached the required temperature (see table below).

| MEAT | TEMPERATURES |
|------|--|
| Beef | Rare - 60°C Medium - 70°C Well Done - 80°C |
| Pork | Well Done - 80°C |
| Lamb | Medium - 70°C Well Done - 80°C |

11. If not eaten straight away after cooking, food should be cooled as quickly as possible (within one hour) and then refrigerated or frozen as required. **Do not** put hot food into a refrigerator or freezer.
12. In the kitchen keep worktops, chopping boards and utensils clean with hot soapy water between preparation stages. Ideally, keep one chopping board for raw meat and another for other foods. Keep your dish cloths and tea towels clean.

CARE AND CLEANING

BEFORE CLEANING THE COOKER ALWAYS ALLOW THE COOLING FAN TO COOL THE COOKER DOWN BEFORE SWITCHING OFF THE ELECTRICITY SUPPLY.

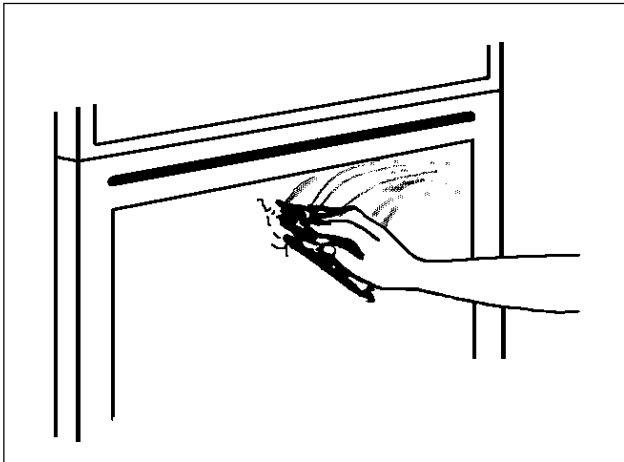
CLEANING MATERIALS

Before using any cleaning materials on your cooker, check that they are suitable and that their use is recommended by the manufacturer.

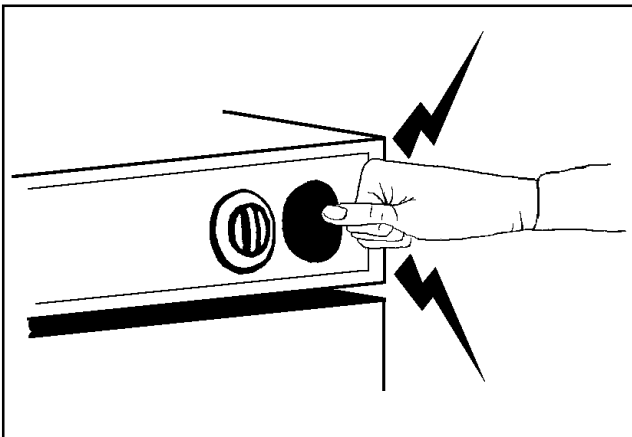
Cleaners that contain bleach should NOT be used as they may dull the surface finishes. Harsh abrasives should also be avoided.

CLEANING THE OUTSIDE OF THE COOKER

DO NOT use abrasive cleaning materials or scourers on the outside of the cooker as some of the finishes are painted and damage may occur. Regularly wipe over the control panel and oven door using a soft cloth and liquid detergent.



DO NOT ATTEMPT TO REMOVE ANY OF THE CONTROL KNOBS FROM THE PANEL AS THIS MAY CAUSE DAMAGE AND IS A SAFETY HAZARD.

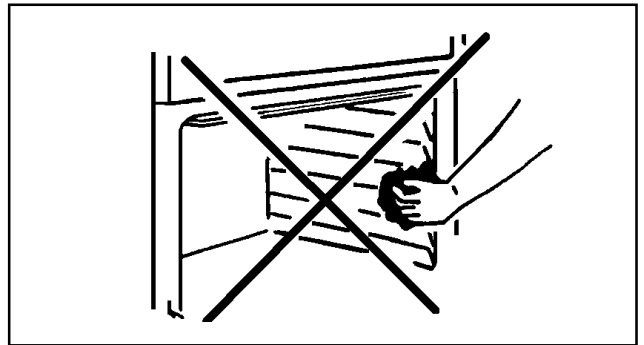


CLEANING INSIDE THE OVEN/GRILL

The Stayclean coating on the oven roof, sides and back panel should not be cleaned manually. See care of Stayclean surfaces on page 31.

The vitreous enamel coating on the oven base can be cleaned using normal oven cleaners or aerosol oven cleaners with care. Ensure that the manufacturers instructions are followed and that all parts are well rinsed afterwards.

Aerosol cleaners must not be used on Stayclean surfaces and must not come into contact with the elements or the door seal as this may cause damage.



CLEANING THE GRILL DEFLECTOR, GRILL PAN, GRILL PAN GRID AND OVEN SHELVES

All removable parts, except the grill pan handle can be washed in the dishwasher. Alternatively soak them in hot soapy water if heavily soiled. They will then clean more easily.

The grill pan and grill deflector may be cleaned using a soap impregnated steel wool pad. The grill pan grid and oven shelves should be cleaned using hot soapy water. Soaking first in soapy water will make cleaning easier.

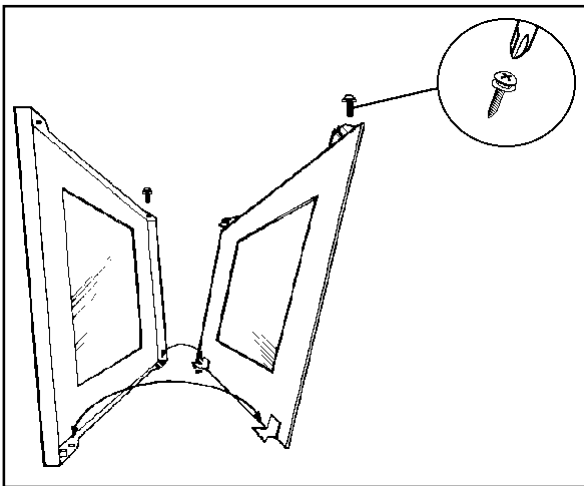
CLEANING BETWEEN THE OUTER AND INNER DOOR GLASS

The outer door glass is removable for cleaning.

TO REMOVE THE OUTER GLASS

1. Open the oven door slightly to gain access to the two cross head screws on the top of the oven door.
2. Loosen the two screws using a Pozidrive screwdriver.
3. Hold the door glass securely in place with one hand before removing the screws completely with the other hand.

- Using both hands, gently tilt the top of the door glass towards you. Lift slightly to disengage the locators from the two bottom brackets.



- Clean the outer and inner glass using hot soapy water or Hob Brite. DO NOT try to clean the aluminium foil which is inside the door. The foil is there to help keep the door cool, if it is damaged it will not work. Ensure that all parts are well rinsed and thoroughly dry before attempting to replace the outer door glass.

TO REPLACE THE OUTER GLASS

- Holding the oven glass with both hands, gently place the locators into the holes of the brackets at the bottom of the oven door.
- Push the top of the oven glass towards the oven door, ensuring the screw location holes line up.
- Hold the glass in place with one hand and insert the cross head screws into the location holes with the other hand. Give the screws one turn to ensure the glass is secure.
- Tighten the screws positively with a Pozidrive screwdriver before closing the oven door.

DO NOT attempt to use the oven without the glass being in place.

TO CLEAN INSIDE THE INNER GLASS DOOR

The inner glass door is not removable. Clean using hot soapy water or Hob Brite and a soft cloth. Take care NOT to use abrasives as they may damage the glass or seal.

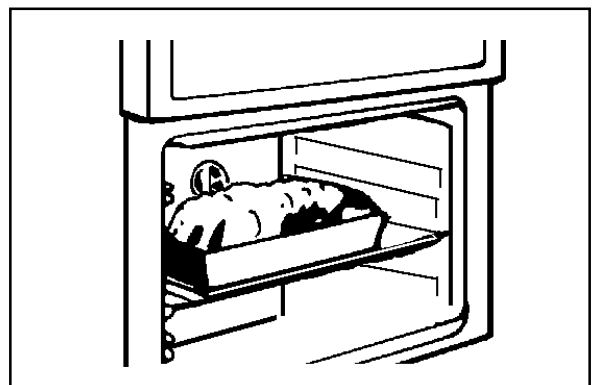
CARE OF STAYCLEAN SURFACES

Stayclean surfaces destroy splashes of food and fats when the oven temperature is raised to around 220°C.

To aid this process it is a good idea to run the oven for an hour or two per week without food, to ensure continued good performance from the Stayclean finish.

HINTS AND TIPS

- Manual cleaning of Stayclean is not recommended. Damage will occur if soap impregnated steel wool pads, aerosol cleaners or any other abrasives are used.
- Slight discolouration and polishing of the Stayclean surface may occur in time. This does not affect the Stayclean properties in any way.
- A good time to allow the oven to run on is after the weekly roast. After removing the roast, turn the oven up to 220°C and allow to run for an hour or so. It is important not to allow a build-up of soilage as this can prevent the Stayclean from working.
- Follow the recommendations below to keep oven soilage to a minimum.
- Cook at the recommended temperatures. Higher temperatures during roasting will increase soilage. Try cooking at lower temperatures for an increased length of time, you will save energy and often the joint is more tender.
- Use minimal, if any, extra oil or fat when roasting meat, potatoes only require brushing with fat before cooking. Extra fat in the oven during roasting will increase splashing and soilage.
- It is NOT necessary to add water to the meat tin when roasting. The water and the fat juices from the joint create excessive splattering during cooking, even at normal temperatures, as well as causing condensation.
- Covering joints during cooking will also prevent splashing onto the interior surfaces. Removing the covering for the last 20-30 minutes will allow extra browning if required. Some large joints and turkeys especially benefit by this method of cooking, allowing the joint to cook through before the outside is overbrowned.



REPLACING THE OVEN LIGHT BULB

The type of bulb required is a 300C 25 watt small Edison Screw. Part number 572 491 5431-00/1. (Available through Tricity Bendix service centres).

CAUTION: DISCONNECT THE COOKER FROM THE ELECTRICITY SUPPLY BEFORE REPLACING THE BULB.

Open door and remove the shelves to enable easy access to the oven light assembly. Insert a flat blade screwdriver between the oven side and the glass which covers the bulb.

Support the glass with your hand and prise out sufficiently to release the glass cover. Unscrew the bulb in an anticlockwise direction until it is possible to remove the bulb with ease.

Fit the new bulb by turning in a clockwise direction until it is secure. Ensuring the indent to the flange is pointing to the rear of the oven, replace the glass by pushing it firmly into the hole to cover the bulb assembly.

SOMETHING NOT WORKING

We strongly recommend that you carry out the following checks on your cooker before calling a Service Engineer. It may be that the problem is a simple one which you can solve yourself without the expense of a service call.

If our Service Engineer finds that the problem is listed below you will be charged for the call whether or not the cooker is under guarantee.

The grill, oven and timer do not work.

- * Check that the cooker has been wired in and is switched on at the wall.
- * Check that the main cooker fuse is working.
- * Check that the timer is set to manual. See page 17.

If you have checked the above:

- * Switch OFF cooker at the wall and allow the appliance to cool for a couple of hours. Switch ON again. The cooker should now be working normally.

The grill works but the oven does not:

- * Check that the grill control is in the OFF position.
- * If you have checked that the timer is set for manual switch OFF at the wall to allow the oven to cool. Check that the oven is now working normally.

The timer/minute minder does not work.

- * Check that the operating instructions are being closely followed.

The grill does not work or cuts out after being used for a long period of time.

- * Leave the oven to cool for a couple of hours. Check that the grill operates normally. Ensure that the door is left open during grilling.
- * If the cooling fan fails the grill will not work. Call your local Tricity Bendix Service Centre. See page 35.

The oven temperature is too high or low:

- * Check that the recommended temperatures are being used (see page 24). Be prepared to adjust up or down 10°C to achieve the results you want.
- * Care should be taken if using an oven thermometer to check oven temperatures as they may be inaccurate.

The following factors should be considered.

- * Ensure you purchase an accurate good quality instrument.
- * Ovens will cycle about a set temperature and will not be constant.

If the oven is not cooking evenly.

- * Check that the cooker is correctly installed and that it is level.
- * Check that the recommended temperatures and shelf positions are being used.

The oven fan is noisy:

- * Check that the oven is level.
- * Check that bakeware and shelves are not vibrating in contact with the back panel in the oven.

The oven light fails to illuminate.

- * Refer to page 32 'Replacing the oven light bulb'.

HELP US TO HELP YOU

Please determine your type of enquiry before writing or telephoning.

SERVICE

It is a recommendation by the manufacturer that annual servicing of the product is done by the manufacturers approved service organisation.

In the event of your appliance requiring service, or if you wish to purchase spare parts please contact your local Tricity Bendix Service Force Centre by telephoning:

0990 929929

The address of your local Service Force Centre is detailed on the following pages headed Tricity Bendix Service Force.

Before calling out an engineer, please ensure you have read the details under the heading 'Something Not Working?' and have the model number and purchase date to hand.

Please note that all enquiries concerning service should be addressed to your local Service Centre.

CUSTOMER CARE DEPARTMENT

For general enquiries concerning your Tricity Bendix cooker or for further information on Tricity Bendix products, you are invited to contact our Customer Care Department by letter or telephone as follows:

Customer Care Department
Tricity Bendix
PO Box 47
Newbury
Berkshire
RG14 5XL

Tel: (01635) 525542

To contact your local Tricity Bendix Service Centre telephone 0990 929929

CHANNEL ISLANDS

| | |
|----------|--|
| GUERNSEY | Guernsey Electricity PO Box 4 Vale, Guernsey Channel Islands |
| JERSEY | Jersey Electricity Company PO Box 45 Queens Road St Helier Jersey Channel Islands JE4 8NY |

SCOTLAND

| | |
|----------------------------------|--|
| ABERDEEN (M05) | 8 Cornhill Arcade Cornhill Drive Aberdeen AB2 5UT |
| AUCHTERMUCHY (M03) | 33A Burnside Auchtermuchy Fife KY14 7AJ |
| BLANTYRE (M07) | Unit 5 Block 2 Auchenraith Ind Estate Rosendale Way Blantyre G72 0NJ |
| DUMFRIES (M01) | 93 Irish Street Dumfries Scotland DG1 2PQ |
| DUNOON (M67) | Briar Hill 7 Hill Street, Dunoon Argyll PA23 7AL |
| GLASGOW (M04) | 20 Cunningham Road Clyde Estate Rutherglen, Glasgow, G73 1PP |
| INVERNESS (M06) | Unit 3B Smithton Indust. Est. Smithton Inverness IV1 AJ |
| ISLE OF ARRAN (OWN SALES) | Arran Domestics Unit 4 The Douglas Centre Brodict Isle of Arran KA27 8AJ |
| ISLE OF BARRA (OWN SALES) | J Zerfah 244 Bruernish Isle of Barra Western Islands HS9 5QY |
| ISLE OF BUTE (M66) | Walker Engineering Glenmhor Upper Serpentine Road Rothsay Isle of Bute PA20 9EH |
| ISLE OF LEWIS (M69) | ND Macleod 16 James Street Stornoway Isle of Lewis PA87 2QW |
| ISLE OF MULL (M68) | Brian Hogg Braeside Raeric Road Tobermory Isle of Mull PA75 6PU |

| | |
|-----------------------------|---|
| KELSO (M08) | 2-8 Wood Market Kelso Borders TD5 7AX |
| ORKNEY (M65) | Corsie Domestics 7 King Street Kirkwall Orkney KW15 |
| SHETLAND (OWN SALES) | Tait Electronic Systems Ltd. Holmsgarth Road Lerwick Shetland ZE1 0PW |
| SHETLAND (OWN SALES) | Bolts Shetland Ltd 26 North Road Lerwick Shetland ZE1 0PE |
| WHALSAY (OWN SALES) | Leask Electrical Harisdale Symbister, Whalsay Shetland ZE2 9AA |

NORTHERN IRELAND

| | |
|------------------|---|
| BELFAST (M27) | Owenmore House Kilwee Industrial Estate Upper Dunmury Lane Belfast BT17 0HD |
|------------------|---|

WALES

| | |
|-------------------|--|
| CARDIFF (M28) | Guardian Industrial Estate Clydesmuir Road Tremorfa, Cardiff CF2 2QS |
| CLYWD (M14) | Unit 6-7 Coed - Parc Abergele Road Rhuddlan Clwyd Wales LL18 5UG |
| OSWESTRY (M17) | Plas Funnon Warehouse Middleton Road Oswestry SY11 2PP |

NORTH EAST

| | |
|--------------------------|---|
| GATESHEAD (M39) | Unit 356a Dukesway Court Dukesway Team Valley Gateshead NE11 0BH |
| GRIMSBY (M42) | Unit 2 Cromwell Road Grimsby South Humberside DN31 2BN |
| HULL (M41) | Unit 1 Boulevard Industrial Estate Hull HU3 4AY |
| LEEDS (M37) | 64-66 Cross Gates Road Leeds LS15 7NN |
| NEWTON AYCLIFFE (M45) | Unit 16 Gurney Way Aycliffe Ind Estate Newton Aycliffe DL5 6UJ |
| SHEFFIELD (M38) | Pennine House Roman Ridge Ind. Roman Ridge Road Sheffield S9 1GB |

NORTH WEST

| | |
|----------------------|--|
| BIRKENHEAD (M11) | 1 Kelvin Park Dock Road Birkenhead L41 1LT |
| CARLISLE (M10) | Unit 8 South John Street Carlisle CA2 5AJ |
| ISLE OF MAN (M64) | South Quay Ind Estate Douglas Isle of Man |
| LIVERPOOL (M15) | Unit 1 Honeys Green Precinct Honeys Green Lane Liverpool L12 9JH |
| MANCHESTER (M09) | Unit 30, Oakhill Trading Estate Devonshire Road Worsley Manchester M28 3PT |
| PRESTON (M13) | Unit 250 Dawson Place Walton Summit Bamber Bridge Preston Lancashire PR5 8AL |
| STOCKPORT (M16) | Unit 20 Haigh Park Haigh Avenue Stockport SK4 1QR |

To contact your local Tricity Bendix Service Centre telephone 0990 929929

MIDLANDS

| | |
|----------------------------------|---|
| BIRMINGHAM (M18) | 66 Birch Road East, Wyrley Road Industrial Estate Witton Birmingham B6 7DB |
| BOURNE (M44) | Manning Road Ind Estate Pinfold Road Bourne PE10 9HT |
| BRIDGNORTH (M72) | 1 Underhill Street Bridgnorth Salop WV16 4BB |
| GLOUCESTER (M23) | 101 Rycroft Street Gloucester GL1 4NB |
| HEREFORD (M31) | Unit 3 Bank Buildings Cattle Market Hereford HE4 9HX |
| HIGHAMFERRERS (M51) | The Old Barn Westfield Terrace Higham Ferrers NN10 8BB |
| ILKESTON (M43) | Unit 2 Furnace Road Ilkeston DE7 5EP |
| LEICESTER (M22) | Unit 23-24 Alliance Business Pk Townsend Drive Nuneaton Warwickshire CV11 6RX |
| LINCOLN (M40) | Unit 8 Stonefield Park Clifton Street Lincoln LN5 8AA |
| NEWCASTLE UNDER LYME (M12) | 18-21 Croft Road Brampton Industrial Estate Newcastle under Lyme Staffordshire ST5 0TW |
| NUNEATON (M21) | 19 Ptarmigan Place Townsend Drive Nuneaton CV11 6RX |
| REDDITCH (M20) | Heming Road Washford Redditch Worcestershire B98 0DH |
| TAMWORTH (M19) | Unit 3 Sterling Park Claymore Tamworth B77 5DO |
| WORCESTER (M73) | Unit 1 Northbrook Close Gregorys Mill Ind Estate Worcester WR3 8BP |

LONDON & EAST ANGLIA

| | |
|---------------------|---|
| CANVEY ISLAND | 2-4 Sandhurst Kings Road Canvey Island SS8 0QY |
| CHELMSFORD (M47) | Hanbury Road Widford Ind Estate Chelmsford Essex CM12 3AE |
| COLINDALE (M53) | Unit 14 Capital Park Capital Way Colindale London NW9 0EQ |
| ENFIELD (M49) | 284 Alma Road Enfield London EN3 7BB |
| GRAVESEND (M57) | Unit B4, Imperial Business Estate Gravesend Kent DA11 0DL |
| HARPENDEN (M46) | Unit 4 Riverside Estate Coldharbour Lane Harpenden AL5 4UN |
| LETCHWORTH (M50) | 16-17 Woodside Ind Est. Works Road Letchworth Herts SG6 1LA |
| MAIDENHEAD (M60) | Reform Road Maidenhead Berkshire SL6 8BY |
| MOLESEY (M61) | 10 Island Farm Avenue West Molesey Surrey KT8 2UZ |
| NEWBURY (M24) | PO Box 5627 Newbury Berkshire RG14 5GF |
| IPSWICH (M48) | Unit 2B Elton Park Business Centre Hadleigh Road Ipswich IP2 0DD |
| NORWICH (M52) | 2b Trafalgar Street Norwich NR1 3HN |
| SUNBURY (M63) | Unit 1a The Summit Hanworth Road Hanworth Ind Estate Sunbury on Thames TW16 5D |
| SYDENHAM (M62) | Unit 6 Metro Centre Kangley Bridge Road Sydenham SE26 |

SOUTH EAST

| | |
|-------------------------|---|
| ASHFORD (M58) | Unit 2 Bridge Road Business Estate Bridge Road Ashford Kent TN2 1BB |
| FLEET (M59) | Unit 1 Redfields Industrial Estate Church Crookham Fleet Hampshire GU13 0RD |
| HAYWARDS HEATH (M55) | 21-25 Bridge Road Haywards Heath Sussex RH16 1UA |
| TONBRIDGE (M56) | Unit 30 Deacon Trading Estate Morley Road Tonbridge Kent TN9 1RA |

SOUTH WEST

| | |
|------------------------|--|
| BARNSTAPLE (M30) | P.O. Box 12 Barnstaple North Devon EX31 2YB |
| BOURNEMOUTH (M26) | 63-65 Curzon Road Bournemouth Dorset BH1 4PW |
| BRIDGEWATER (M35) | 6 Hamp Industrial Estate Bridgewater Somerset TA6 3NT |
| BRISTOL (M25) | 11 Eldon Way Eldonwall Trading Bristol Avon BS4 3QQ |
| EMSWORTH (M33) | 266 Main Road Southboure Emsworth PO10 8JL |
| ISLE OF WIGHT (M34) | Unit 8 Enterprise Court Ryde Business Park Ryde Isle of Wight PO33 1DB |
| NEWTON ABBOT (M29) | Unit 2 Zealley Industrial Estate Kingsteignton Newton Abbot S. Devon TQ12 3TD |
| PLYMOUTH (M32) | 16 Faraday Mill Cattedown Plymouth PL4 0ST |
| REDRUTH (M36) | Unit 7D Pool Industrial Estate Wilson Way, Redruth, Cornwall TR15 3QW |

GUARANTEE CONDITIONS

Standard guarantee conditions

We, Tricity Bendix, undertake that if within 12 months of the date of the purchase this Tricity Bendix appliance or any part thereof is proved to be defective by reason only of faulty workmanship or materials, we will, at our option repair or replace the same FREE OF CHARGE for labour, materials or carriage on condition that:

- The appliance has been correctly installed and used only on the electricity supply stated on the rating plate.
- The appliance has been used for normal domestic purposes only, and in accordance with the manufacturer's instructions.
- The appliance has not been serviced, maintained, repaired, taken apart or tampered with by any person not authorised by us.
- All service work under this guarantee must be undertaken by a Tricity Bendix service centre.
- Any appliance or defective part replaced shall become the Company's property.
- This guarantee is in addition to your statutory and other legal rights.

Home visits are made between **8.30am** and **5.30pm** Monday to Friday. Visits may be available outside these hours in which case a **premium** will be charged.

Exclusions

This guarantee does not cover:

- Damage or calls resulting from transportation, improper use or neglect, the replacement of any light bulbs or removable parts of glass or plastic.
- Costs incurred for calls to put right an appliance which is improperly installed or calls to appliances outside the United Kingdom.
- Appliances found to be in use within a commercial environment, plus those which are subject to rental agreements.
- Products of Tricity Bendix manufacture which are not marketed by Tricity Bendix.

European Guarantee

If you should move to another country within Europe then your guarantee moves with you to your new home subject to the following qualifications:

- The guarantee starts from the date you first purchased your product.
- The guarantee is for the same period and to the same extent for labour and parts as exists in the new country of use for this brand or range of products.
- This guarantee relates to you and cannot be transferred to another user.
- Your new home is within the European Community (EC) or European Free Trade Area.
- The product is installed and used in accordance with our instructions and is only used domestically, i.e. a normal household.
- The product is installed taking into account regulations in your new country.

Before you move please contact your nearest Customer Care centre, listed below, to give them details of your new home. They will then ensure that the local Service Organisation is aware of your move and able to look after you and your appliances.

| | | |
|---------|-----------|----------------------|
| France | Senlis | +33 (0)3 44 62 28 28 |
| Germany | Nurnberg | +49 (0)911 323 2600 |
| Italy | Pordenone | +39 (0)1678 47053 |
| Sweden | Stockholm | +46 (0)20 78 77 50 |
| UK | Newbury | +44 (0)1635 525 542 |

BS621/2 - 311400701

RATING PLATE REFERENCE

| MAKE AND MODEL NO. | SERIAL NO. | PRODUCT NO. | DATE OF PURCHASE |
|--------------------|------------|-------------|------------------|
| | | | |

IMPORTANT NOTICE

In line with our continuing policy of research and development, we reserve the right to alter models and specifications without prior notice.

This handbook is accurate at the date of printing, but will be superseded and should be disregarded if specifications or appearance are changed.



TRICITY BENDIX, PO BOX 47, NEWBURY, BERKSHIRE, RG14 5XL
TELEPHONE (01635) 525542

MODEL NO.
BS 621/2



PART NO.
311400701

Free Manuals Download Website

<http://myh66.com>

<http://usermanuals.us>

<http://www.somanuals.com>

<http://www.4manuals.cc>

<http://www.manual-lib.com>

<http://www.404manual.com>

<http://www.luxmanual.com>

<http://aubethermostatmanual.com>

Golf course search by state

<http://golfingnear.com>

Email search by domain

<http://emailbydomain.com>

Auto manuals search

<http://auto.somanuals.com>

TV manuals search

<http://tv.somanuals.com>