



600 mm Built In Oven

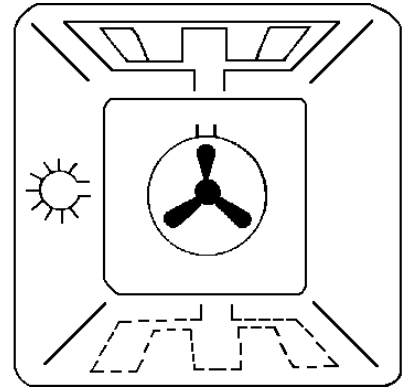
OPERATING AND INSTALLATION INSTRUCTIONS

MODEL NO.
BS 631/2 / BS 641

TECHNICAL DETAILS

MODEL NO. BS 631/2 / BS 641

Voltage:	230/240 Volts AC 50Hz
Wattage:	2.7/2.9kW
Height:	595mm
Width:	595mm
Depth:	545mm (excluding handles and knobs)
Weight:	30kg



These appliances comply with: European Council Directive 73/23/EEC.
EMC Directive 89/336/EEC.
CE Marking Directive 93/68/EEC.

CONTENTS

Please follow these instructions step by step to install and operate your oven safely and easily.

Technical Details	2
Contents	3
Preface	5
Safety	6
Before Installing your Cooker	6
Whilst Using Your Cooker	6
After Using Your Cooker	7
General	7
Installation Instructions	8
Things You Need to Know	8
Warnings	8
Things to Note	8
Getting Things Ready	8
Choice of Electrical Connection	8
Preparing Cabinet for Fitting Oven	9
Recommended Cabinet Dimensions	10
How to Finish Unpacking	11
Tools Required	11
Making the Electrical Connections	11
Preparing Cable	11
To Remove Cover of Mains Terminal	11
Connecting to the Mains Terminal	12
Connecting to a Hob or Cooker Point	12
Checking Electrical Connections	12
Fitting Into The Cabinet	13
Introduction	14
Getting to Know Your Oven	14
Rating Plate	15
General Notes on Using your Oven	15
When First Switching On	15
About Condensation and Steam	15
Cookware	15
The Trivet	15
The Cooling Fan for the Controls	15
The Shelf Positions	16
Push Push Control Knobs (BS 641 only)	16
Control Panel Indicator Neons	16
Grill and Oven Furniture	16
The Timer (BS 631/2)	17
The Timer (BS 641)	19
The Grill	23
Uses of the Grill	23
Selecting the Grill	23
Things to Note	23
The Grill Pan and Handle	24
Hints and Tips	24
Grilling Chart	25

The Fan Oven	26
Uses of the Fan Oven	26
Selecting the Fan Oven	26
Things to Note	27
To Fit the Oven Shelves	27
Hints and Tips	27
The Conventional Oven	28
Uses of the Conventional Oven	28
Selecting the Conventional Oven	28
Things to Note	28
Hints and Tips	29
The Zoned Oven	30
Uses of the Zoned Oven	30
Selecting the Zoned Oven	30
Things to Note	30
Hints and Tips	31
Oven Cooking Chart	32
Thermal Grilling	33
Uses of Thermal Grilling	33
Selecting Thermal Grilling	33
Things to Note	34
Hints and Tips	34
Thermal Grilling Chart	35
Defrost Feature	36
Uses of Defrost Feature	36
Selecting Defrost	36
Things to Note	37
Hints and Tips	37
Helpful Hints when Buying and Preparing Food	38
Oven Clean Feature	39
Uses of Oven Clean	39
Selecting Oven Clean	39
Things to Note	39
Hints and Tips	40
Care and Cleaning	41
Cleaning Materials	41
Cleaning the Outside of the Cooker	41
Cleaning Between the Outer and Inner Door Glass	41
Cleaning Inside the Oven	42
Cleaning the Oven Shelves and Grill/Oven Furniture	42
Care of Stayclean Surfaces	42
Hints and Tips	42
Cooking to Reduce Soilage	42
Replacing the Oven Light Bulb	43
Something Not Working?	44
Service and Spare Parts	45
Customer Service Centres	46
Guarantee Conditions	48

PREFACE

Dear Customer,

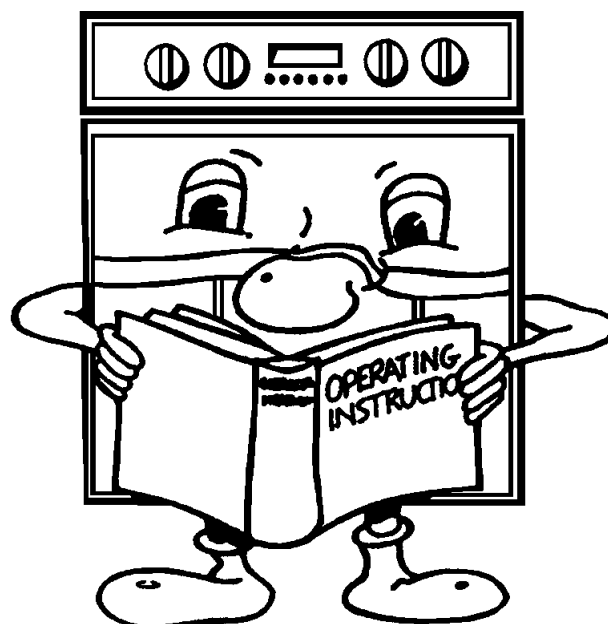
Thank you for buying a Tricity Bendix built-in oven. With our 80 years experience in developing and manufacturing the very best in U.K. cookers, you can be assured that you have purchased a hard working, reliable, quality cooker.

In addition Tricity Bendix cookers comply with British Standard safety and performance requirements. They have been approved by BEAB (British Electrotechnical Approvals Board) and are covered by a 12 month parts and labour guarantee.

In order that you get the best from your new Tricity Bendix cooker, the following instructions have been prepared. PLEASE MAKE SURE YOU READ THEM CAREFULLY. Particular attention should be paid to cooking times and temperatures which may differ from your previous cooker.

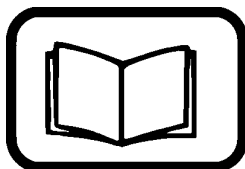
It is most important that this instruction book is retained with the cooker for future reference. Should the cooker be sold, or transferred to another owner, or should you move house and leave the cooker, always ensure that the book remains with the cooker so that the new owner can be acquainted with the functioning of the cooker and the relevant warnings.

Please read the whole instruction book before attempting to use the cooker ensuring you follow the recommendations given.



THESE WARNINGS ARE PROVIDED IN THE INTERESTS OF YOUR SAFETY. ENSURE THAT YOU UNDERSTAND THEM ALL BEFORE INSTALLING OR USING THE COOKER.

PLEASE
READ
CAREFULLY



BEFORE INSTALLING YOUR COOKER



This cooker is heavy and care **must** be taken when moving it.



Ensure that all packaging, both inside and outside the cooker has been removed before the cooker is used.



Do not try to move the cooker by pulling the door handle. Refer to installation instructions.

The cooker must be installed according to the instructions supplied. Any electrical installation work **must** be undertaken by a qualified electrician/competent person.



It is dangerous to alter the specifications or modify the cooker in any way.



After installation, please dispose of the packaging with due regard to safety and the environment.

WHILST USING YOUR COOKER

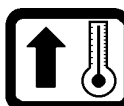
This cooker is designed to be operated by adults. Young children **must not** be allowed to tamper with the controls or play near or with the cooker.



Caution accessible parts especially around the grill area may become hot when the cooker is in use. Children should be **kept away** until it has cooled.



Ensure that all control knobs are in the OFF position when not in use.



Take **great care** when heating fats and oils as they will ignite if they become too hot.

This cooker has been designed for cooking edible foodstuffs only, and **must not** be used for any other purposes.



Do not use this cooker if it is in contact with water and never operate it with wet hands.



Never place plastic or any other material which may melt in or on the oven itself.



Ensure cooking utensils are large enough to contain foods to prevent spillages and boil overs.



Take care to follow the recommendations given for tending the food when grilling. Use the handle provided in the recommended way (see page 24).



Do not leave the handle in position when grilling as it will become hot.



Always use oven gloves to remove and replace food in the oven. Similarly always use oven gloves to remove and replace the grill pan handle when grilling.

Ensure that you support the grill pan when it is in the withdrawn or partially withdrawn position.

Ensure that all vents are left unobstructed to ensure ventilation of the oven cavity.



You must ensure that the grill control is in the 'OFF' position when the timer control has been set for automatic cooking

Never line any part of the cooker with aluminium foil. **Do not** allow heatproof cooking material, e.g. roasting bags to come into contact with oven elements.



Always stand back from the cooker when opening the oven door to allow any build up of steam or heat to release.



Stand clear when opening the drop down oven door. **Do not** allow it to fall open - support it using the door handle until it is fully open.



Do not place sealed cans or aerosols inside the oven. They may explode if they are heated.

AFTER USING YOUR COOKER



Ensure that all control knobs are in the OFF position when not in use.



For hygiene and safety reasons this cooker should be kept clean at all times. A build-up of fats or other foodstuffs could result in a fire, especially in the grill pan.



Do not leave utensils containing foodstuffs, e.g. fat or oil in or on the cooker in case it is inadvertently switched ON.

Cookers and hobs become **very hot**, and retain their heat for a long period of time after use. Children should be kept well away from the cooker until it has cooled.

GENERAL



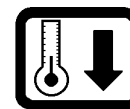
Under no circumstances should repairs be carried out by inexperienced persons as this may cause injury or serious malfunction. This cooker should be serviced by an authorised Service Engineer and only genuine approved spare parts should be used. Details of servicing and repair arrangements are supplied on page 45 of this book.



Do not stand on the cooker or on the open oven door.



Do not hang towels, dishcloths or clothes from the cooker or its handle. They are a safety hazard.



Always allow the cooling fan to cool the cooker down before switching off at the wall prior to carrying out any cleaning or maintenance work.



Only clean this cooker in accordance with the instructions given on page 41.

Your safety is of paramount importance.

Therefore, if you are unsure about any of the meanings of these WARNINGS contact the:

**Consumer Care Department
Telephone: (01635) 525542**

INSTALLATION INSTRUCTIONS

THINGS YOU NEED TO KNOW

WARNINGS:

- This cooker must be installed by a qualified electrician/competent person. Safety may be impaired if installation is not carried out in accordance with these instructions.
- This cooker must be earthed.
- Do not remove the screws from the earth tab extending from the oven mains terminal block (Fig. 8).
- Before connecting the cooker make sure that the voltage of your electricity supply is the same as that indicated on the rating plate. The rating plate can be seen by opening the oven door and looking below the oven door seal.
- Do not alter the electrical circuitry of this cooker.

THINGS TO NOTE

- This cooker is designed to be fitted in cabinets of the recommended dimensions as shown (Fig. 3 and 4).
- The dimensions given provide adequate air circulation around the unit within the cabinet, ensuring compliance with BS EN60-335.
- Enquiries regarding the installation of the cooker point if required should be made to your Regional Electricity Company to ensure compliance with their regulations.
- The cooker point should be within 2m of the cooker to make it accessible to switch off the cooker in case of an emergency.
- To protect the hands wear gloves when lifting the oven into its housing.

NOTE: HOUSE CIRCUIT

Earth leakage and continuity tests must be carried out before the cooker is connected to the mains supply and re-checked after fitting.

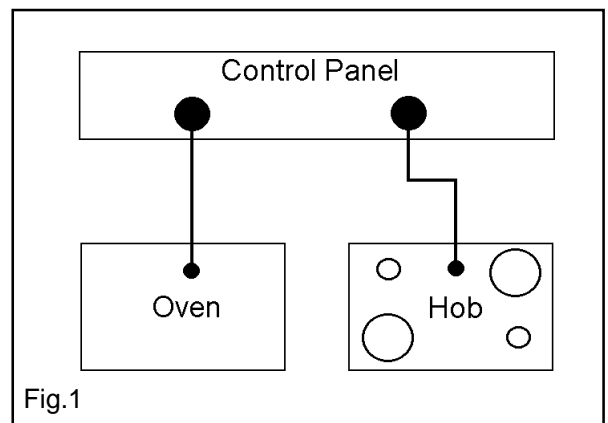
GETTING THINGS READY

CHOICE OF ELECTRICAL CONNECTION

- There are two possible ways to connect your cooker, please choose from the most appropriate after reading the descriptions:
 - a) It is recommended that this appliance is wired with suitably rated cable (min 13 A), into fixed wiring using a double pole isolator with at least 3mm contact separation in all poles and neutral, located within 2m of the appliance. If this fixed wiring circuit is only supplying the cooker, then a fuse of 13A (or circuit breaker) should be incorporated. When the circuit combines oven and hob, then wire and fuse rating should be increased accordingly.

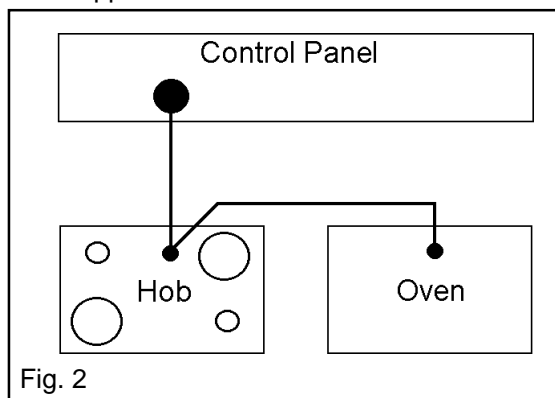
Subject to Regional Electricity Company regulations if you wish to connect the oven and hob to the power supply you may use one of the following two methods:-

- b) If you wish to connect an oven and a hob to a cooker point you can:-
 - i) By connecting the oven and hob separately to the cooker point. Oven and hob units should be separately connected to a control panel. In this case the cooker should be operated from 6mm, twin core, and earth, PVC insulated cable. See Fig. 1.



- ii) By connecting the cooker point to the hob and then connecting the hob to the oven. Provided that the hob manufacturer permits it, connect the oven to the hob and the hob to the cooker point using the same cabling as described in (a) above. Check the hob terminal block is large enough to take two cables and is of suitable rating. If not b) i) on page 8 must be used. See Fig. 2.

NOTE: 13 Amp cable is not suitable for connecting this application.



NOTE: It is good practice to:

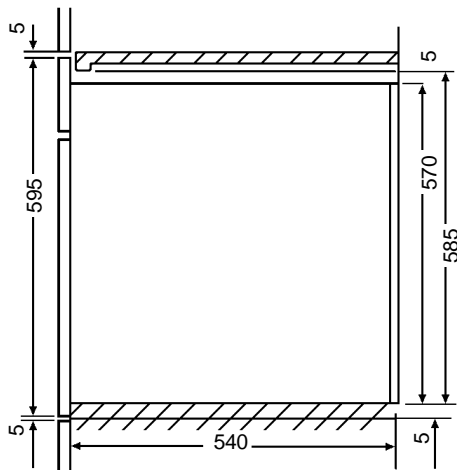
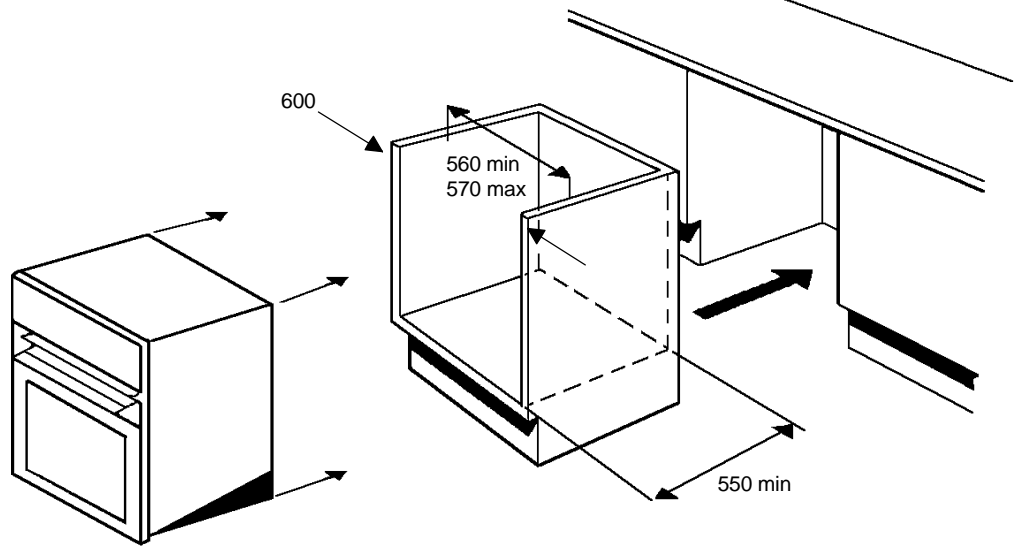
- Fit an Earth Leakage Circuit Breaker to your house wiring.
- Wire your appliance to the latest IEE regulations.

PREPARING CABINET FOR FITTING OF OVEN

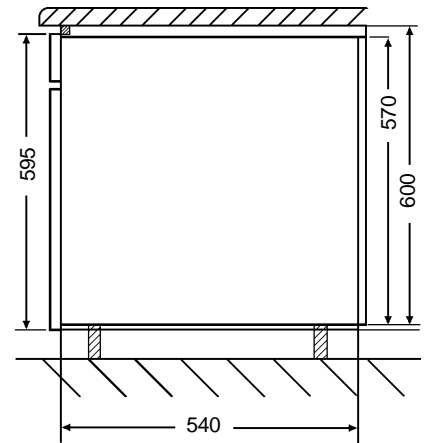
- Make sure the cabinet is the correct size for the appliance to be fitted (Ref. Fig. 3 and 4.)
- If the size is between 565-570mm, then the cabinet should be modified so that at the screw fixing points the recommended dimension of at least 560-565mm is maintained. The modification should ideally be localised to ensure that after screw fitment the oven is **securely** fixed into position.
- The cabinet must be stable and level by firmly securing it to the wall or floor. If necessary, make arrangements to ensure the shelf upon which the oven will rest is level.

RECOMMENDED CABINET DIMENSIONS (IN MILLIMETRES)

Fig. 3 Built Under Installation.



Cross section through cabinet showing oven positioned



Cross section through cabinet showing oven positioned

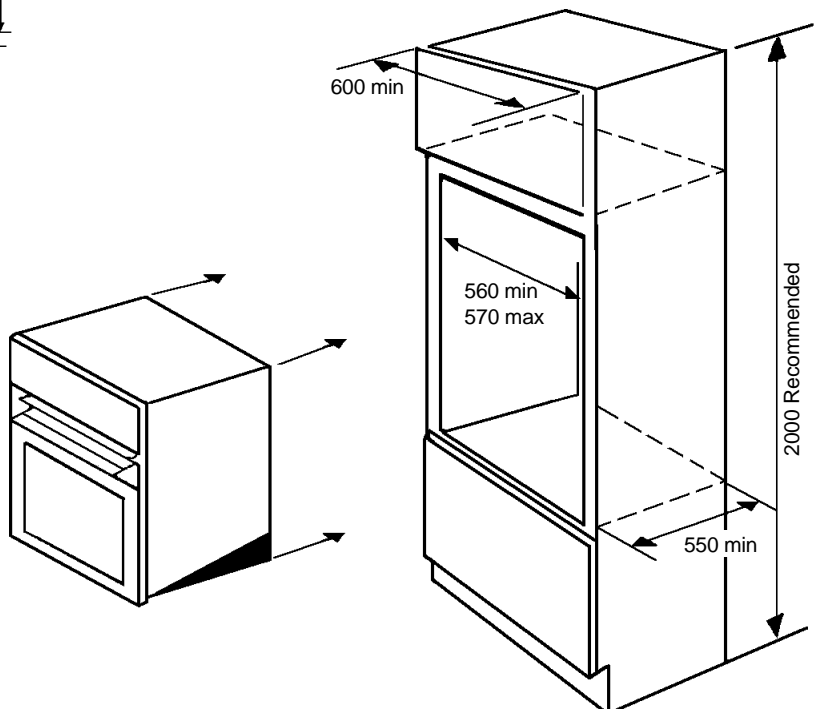


Fig. 4 Built In Installation.

HOW TO FINISH UNPACKING

- Place packed cooker next to the cabinet in which it will be installed.
- Remove the cooker packing except for bottom tray which should be left in position until the cooker is ready to be fitted into its cabinet.
- Ensure the owner is given these operating instructions.

TOOLS REQUIRED

The following tools will be needed and it helps to assemble them before starting to install the oven:-

A terminal screwdriver (3mm wide blade)
A pozidrive screwdriver
Pliers
Wirestrippers
Knife
Sidecutters
Adhesive Tape
Tape Measure

MAKING THE ELECTRICAL CONNECTIONS

Important: Switch off at mains, miniature circuit breaker and, if appropriate, remove fuse before commencing any electrical work.

PREPARING CABLE

We recommend you use a new length of cable to ensure your safety.

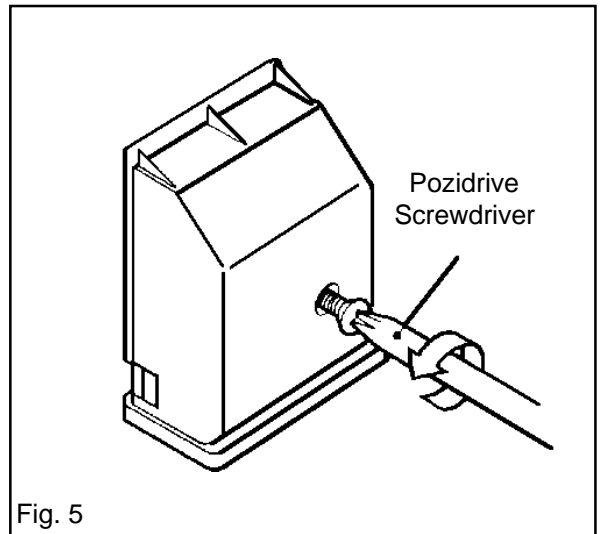
- Ensure you have the correct length of cable appropriate to the wiring method you are using. When fitting new cable allow sufficient cable for removal of the unit at a later date, should it be necessary.
- Score, but do not cut through, around the sheathing with a knife 100mm (4in) from each end of the cable and break through to the encased wires by bending the cable backwards and forwards to fatigue the sheathing.

- Carefully score down from each end of the cable sheathing along the length of the bare earth wire (if a cut was made along the length of the live and neutral wires, it might cut into their sheathing) to the cuts already made.
- Carefully prise open the sheathing at each end of the cable to expose the encased wiring.

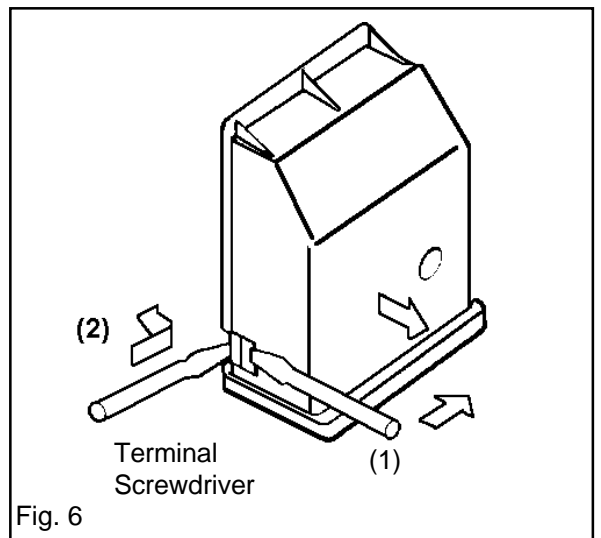
TO REMOVE COVER OF MAINS TERMINAL

From the rear of the cooker, remove mains input terminal cover to gain access to terminal block.

- First remove retaining screw with pozidrive screwdriver. See Fig. 5.



- Prise cover loose using screwdriver in position (1) then lever off with screwdriver in position (2) at either side. See Fig. 6.



- Lift cover and remove screw from cable clamp. See Fig. 7.

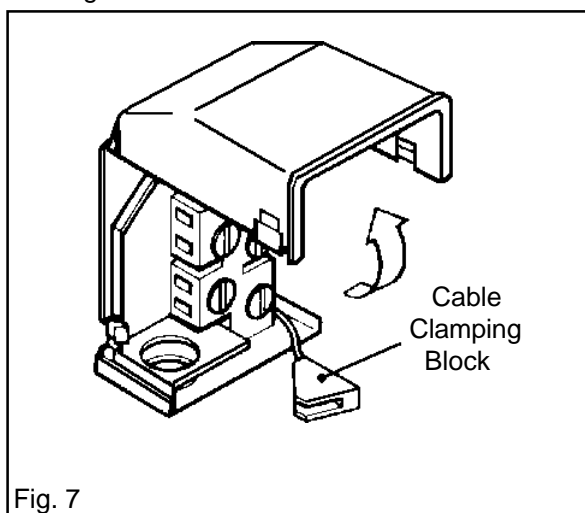


Fig. 7

CONNECTING TO THE MAINS TERMINAL

WARNING: This cooker must be earthed.

- Make connection as shown in Fig. 8 by proceeding as follows:-

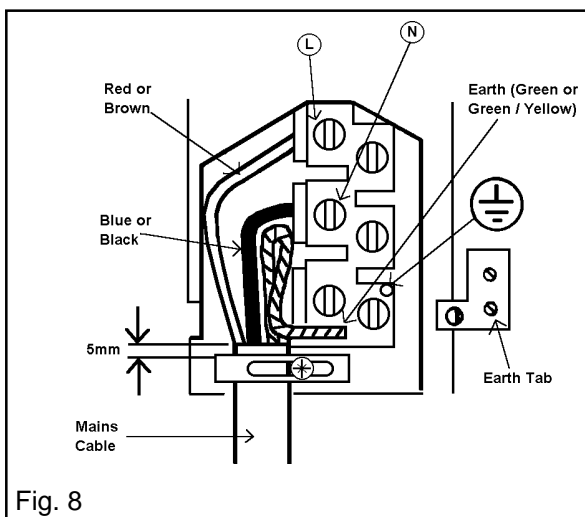


Fig. 8

- Preform wires to the appropriate shape to suit fitting into the mains terminal block.
- Strip inner insulation on wires using wirestrippers.
- Twist the bared wires using pliers.
- Cut bared wires 10mm away from the end of the inner insulation. Where uninsulated Earth wires are used ensure they are suitably sheathed to leave 10mm bare wire to fit into the terminal.
- Clamp bare wires into the relevant terminal and check they are held by tugging each one in turn.

- Clamp the mains cable securely ensuring 5mm of the outer insulation is inside the terminal block and that the wires are not taught but not so slack as to cause any fouling. See Fig. 8.
- Place fuse/miniature circuit breaker in circuit and switch on at mains.

CONNECTING TO A HOB OR COOKER POINT

Feed the cable through the cabinet and arrange to route the cable away from the cooker which may become hot.

- Either follow in general terms the instructions for connecting to the terminal block or refer to the hob suppliers installation instructions.

CHECKING ELECTRICAL CONNECTIONS

- Confirm the cooker is correctly connected by switching on and observing the various oven functions indicators.
- The electronic timer will flash on and off.

NOTE: HOUSE CIRCUIT

Earth leakage and continuity tests must be carried out before the cooker is connected to the mains supply and re-checked after fitting.

FITTING INTO THE CABINET

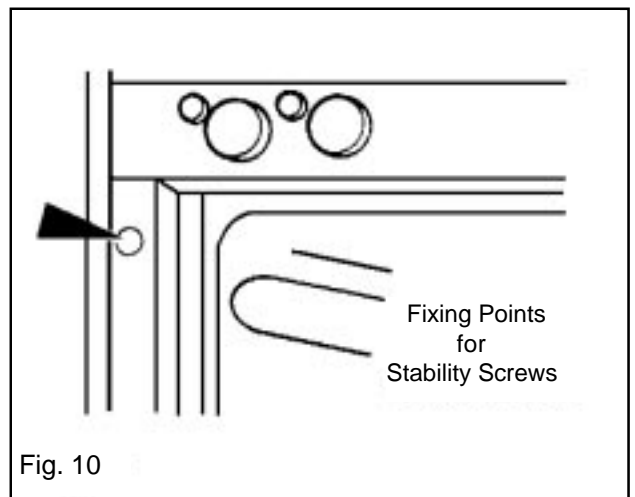
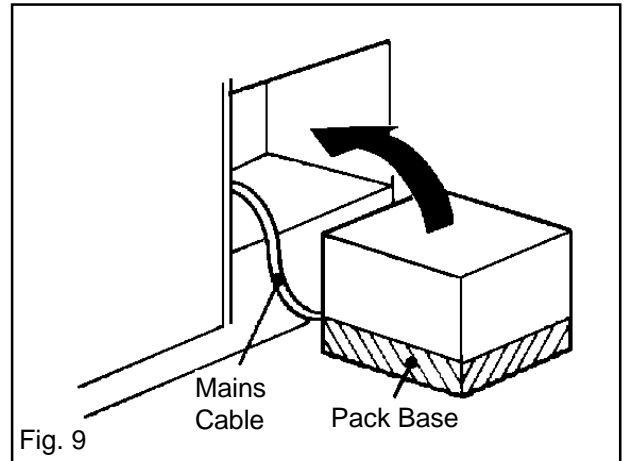
IMPORTANT: Ensure that the oven is switched off at the wall before any further work is carried out.

Using a tape measure establish the internal width of the cabinet. Refer to page 9 if greater than 565mm.

- Position the cooker in front of the cabinet. See Fig. 9.
- Take out all oven furniture before installation to reduce the weight you need to lift. The oven door should be taped up to keep it closed whilst lifting.
- To place the cooker into the cabinetry follow the procedure below:-

N.B. Two people will be required to carry out the lifting procedure.

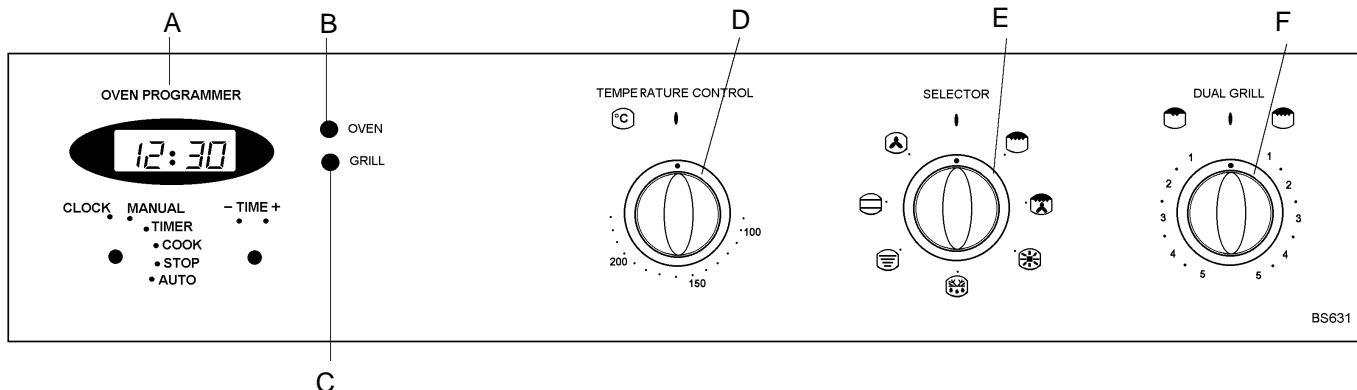
- a) Each person should squat either side of the cooker.
- b) Tilt the cooker so that your hands can support the underside of the cooker.
- c) Keeping your back straight, raise the appliance to the cabinet by straightening at the knees.
- d) Rest the rear underside of the cooker on the cabinet floor while your hands support the front.
- e) The cooker can be pushed fully into the cabinet. Take care to avoid fouling the mains lead.
- f) Ensure the cooker is central in the cabinet and level.
- g) When the cooker is fully housed, screw the stability screws (supplied with the cooker) into the side of the cabinet taking care not to distort the side trims (see Fig.10). It is advisable to turn each screw alternately to avoid damaging the trims.
- h) Switch on the cooker then refer to the operating instructions in the following pages.



INTRODUCTION

WARNING: THIS COOKER MUST BE EARTHED

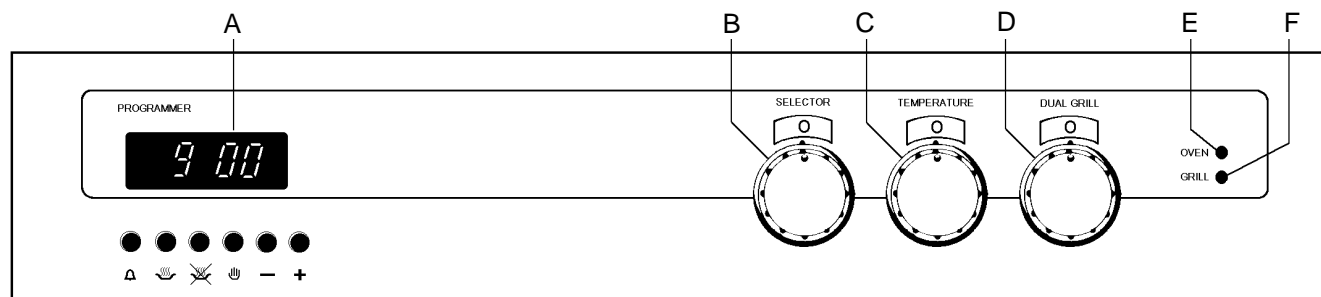
GETTING TO KNOW YOUR OVEN (BS 631/2)



- A - Electronic Timer
- B - Oven Indicator Neon
- C - Grill Indicator Neon
- D - Oven Temperature Control

- E - Selector
 - Fan Oven
 - Conventional Oven
 - Zoned Oven
 - Defrost
 - Oven Clean
 - Thermal Grill
 - Dual Grill
- F - Dual Grill Control

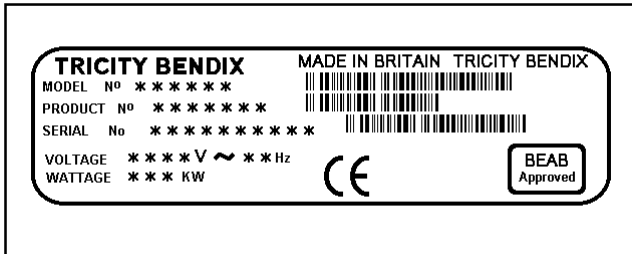
GETTING TO KNOW YOUR OVEN (BS 641)



- A - Electronic Timer
- B - Selector
 - Fan Oven
 - Conventional Oven
 - Zoned Oven
 - Defrost
 - Oven Clean
 - Thermal Grill
 - Dual Grill
- C - Oven Temperature Control
- D - Dual Grill Control
- E - Oven Indicator Neon
- F - Grill Indicator Neon

RATING PLATE

Record the model, product and serial numbers on the back cover of this instruction book from the rating plate. This is situated on the lower front frame of the cooker and can be seen upon opening the oven door.



The cooker must be protected by a suitably rated fuse or circuit breaker. The rating of the cooker is given on the rating plate.

GENERAL NOTES ON USING YOUR OVEN

We suggest that you run all the elements for a short period to burn off any residue from their surfaces.

During this period an unpleasant odour may be emitted, it is therefore advisable to open a window for ventilation.

WHEN FIRST SWITCHING ON

The timer must be set to manual before the oven can be operated. See pages 17 and 19. This must be done whenever the cooker is switched off at the wall or when there has been a power failure.

If the oven indicator neon does not glow when the controls are switched on, it is most likely that the timer is set for automatic cooking.

ABOUT CONDENSATION AND STEAM

When food is heated it produces steam in the same way as a boiling kettle does. The oven is vented to allow some of this steam to escape. However, always stand back from the cooker when opening the oven door to allow any build up of steam or heat to release.

If the steam comes into contact with a cool surface on the outside of the cooker, e.g. a trim, it will condense and produce water droplets. It may be necessary to wipe over the cooker occasionally to remove any droplets of water. This is quite normal and is not caused by a fault on the cooker.

Surfaces in close contact with the oven vent should be regularly wiped to reduce soilage and discolouration from cooking vapours.

COOKWARE

Baking trays, oven dishes etc., should not be placed directly against the grid covering the fan at the back of the oven.

Do not use baking trays larger than 30cm x 35cm (12" x 14") as they will restrict the circulation of heat and may affect performance.

THE TRIVET

When roasting use the trivet in the meat tin. Fat and meat juices will drain into the meat tin below and can be used to make gravy. The trivet also prevents splashes of fat from soiling the inside surface of the oven.

N.B. The meat tin should not be placed on a heated hotplate as this may cause the enamel to crack.

THE COOLING FAN FOR THE CONTROLS

The cooling fan comes on immediately when the grill is switched on and after a short time when the oven is in use.

During the initial period the cooling fan may cycle ON and OFF, this is quite normal.

It may run on after the controls are switched off until the appliance has cooled. If an automatic programme has been set the cooling fan does not come on until the cook time begins.

Do not switch off the cooker at its power point before the cooling fan has cooled the appliance down.

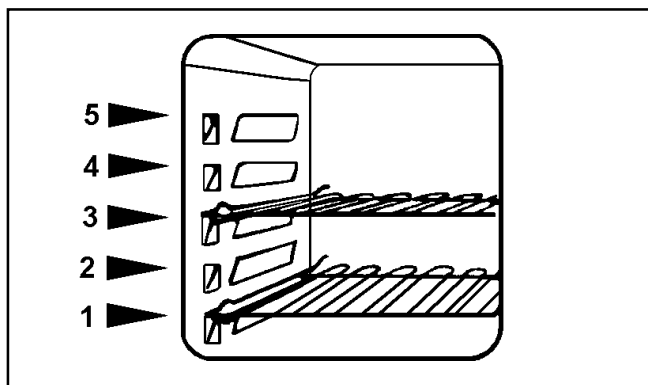
NOTE

The action of the cooling fan will depend on how long the oven has been used and at what temperature. It may not switch in at all at lower temperature settings nor run on where the grill or oven has only been used for a short time.

THE SHELF POSITIONS

Recommended shelf positions have been shown in the cooking chart on page 32.

If not fitted correctly the shelf will lie at an angle and the safety stop will not be effective. To ensure that the shelf has the correct side uppermost, the wire stringers, which make up the shelf, should lie on top of the surrounding frame.



PUSH PUSH CONTROL KNOBS (BS 641 only)

These control knobs can remain flush with the control panel, when not in use, or pushed and released to stand out from the panel for easy operation.

CONTROL PANEL INDICATOR NEONS

These lights indicate whether the oven or grill is switched ON. In the case of the oven, the neon also indicates when the set temperature has been reached. It will cycle on and off during use to show that the temperature is being maintained.

If the neon does not operate as the instructions indicate the controls have been incorrectly set. Return all controls to zero and reset following the instructions for the required setting.

When the oven is set for automatic cooking the neon should remain unlit during OFF periods.

GRILL AND OVEN FURNITURE

The following items of grill and oven furniture have been supplied with the cooker.

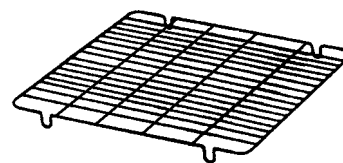
1 grill pan/meat tin



1 grill pan handle



1 grill pan grid



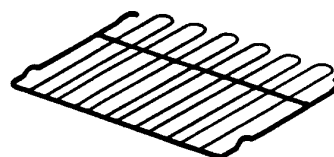
1 grill deflector



1 trivet



2 straight shelves



Scuffing of the Stayclean oven lining by the oven furniture pack may occur during transit.

These marks will disappear after the oven elements have been burnt off for the first time.

THE TIMER (BS 631/2)

Please note that this is a 24 hour clock, for example 2.00 pm is shown as 1400.

In the following pages we explain how to set the controls. Read through them a few times until you are familiar with the procedure.

If the oven is switched off on the wall, or there is a loss of power, the clock will stop and you will not be able to use the oven. When you first switch the electricity supply on, the timer display will flash.

TO SET THE TIME OF DAY

Turn the selector knob to 'manual' then turn to 'clock'.

Set the correct time by turning and holding the setting knob clockwise. Adjust the time by turning the setting knob in either direction.

Turn the selector knob back to 'manual'.

THINGS TO NOTE: TO CHANGE THE AUDIBLE SIGNAL

When the setting knob is turned anti-clockwise, a choice of three audible signals are available. To select the choice of signal required, rotate knob anti-clockwise and release. Repeat procedure to choose desired signal.

TO USE THE MINUTE MINDER

Turn the selector knob to 'timer'. Turn the setting knob clockwise until the display shows the time you want. The bell symbol (🔔) will be showing and this will stay lit up during the time. Our diagram shows the timer set to 5 minutes.

If you change your mind and want to cancel the time you have set, simply turn the setting knob anticlockwise. Then turn the selector to 'manual'.

When you are using the minute minder you can make the clock show the time of day by turning the selector knob to 'manual'. The bell symbol will stay on to remind you that the minute minder is set. At the end of the timed period an alarm will sound and the bell symbol will go out.

Switch off the alarm by turning the selector knob to 'clock'. Then turn to 'manual' and the time of day will show in the display.

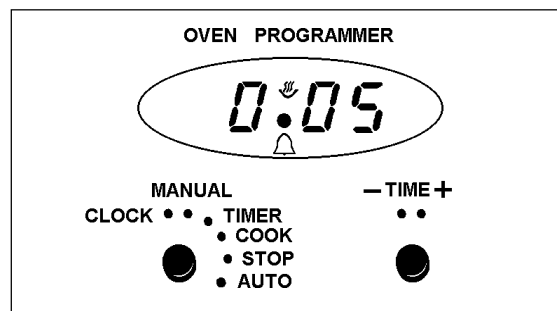
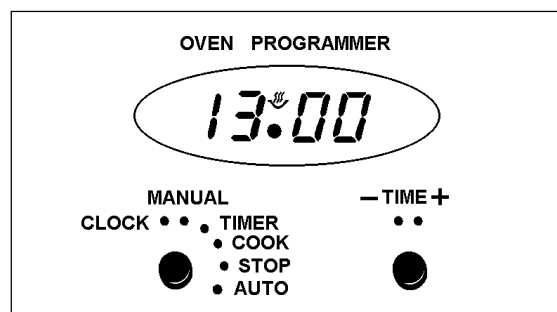
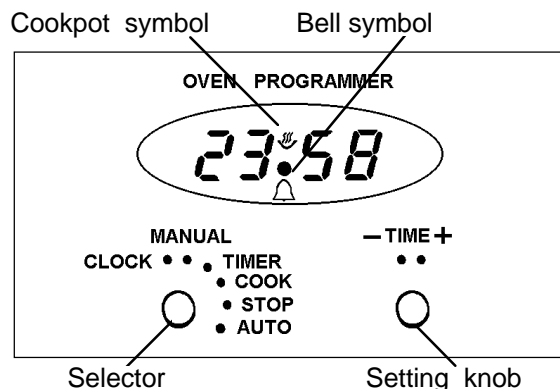
Note:

You can use the minute minder when an automatic sequence has been set, as long as you remember the following point.

- 1 Turn the selector knob to 'Auto' as soon as you have entered the timed period into the display.

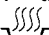
AUTOMATIC CONTROL

When you use the automatic controls for the first time it's probably best to choose a time when you are at home. That way you can check to make sure you've set everything correctly and you'll feel much more confident when you are away from home in the future.



SETTING THE CONTROLS FOR AUTOMATIC USE

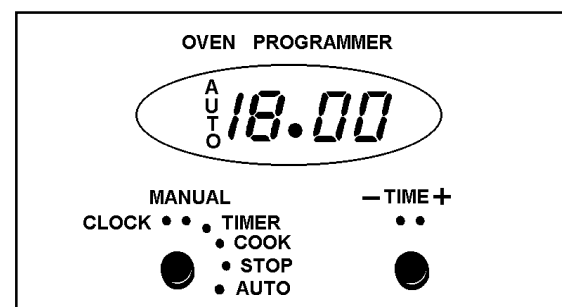
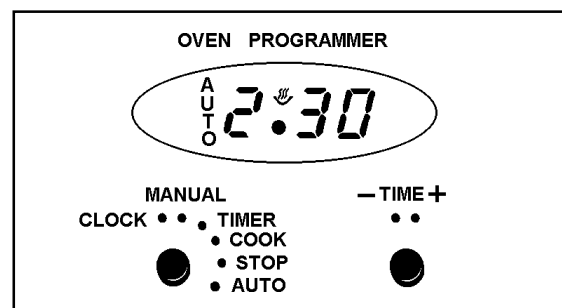
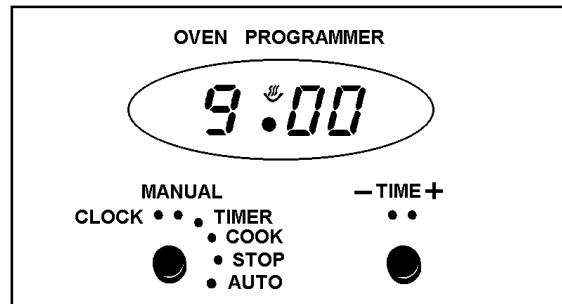
This is very easy. All you have to do is work through the steps below. The clock will work out the rest for itself.

- | | | |
|---|---|--|
| 1 | Is the electricity supply on? | |
| 2 | Is the clock showing the correct time? | To adjust turn the selector knob to 'manual' then turn to 'clock'. Turn the setting knob in either direction. |
| 3 | How long will the food take to cook? | Turn the selector knob to 'cook'. Then turn the setting knob until the length of time you want the food to cook shows in the display. The maximum cooking time is 10 hours. 'Auto' will show in the display. |
| 4 | What time do you want the food to be cooked by? | Turn the selector knob to 'Stop'. Turn the setting knob until the time the oven is to switch off shows in the display. The cookpot () will go out. The 'Stop' time must not be more than 23 hours 59 minutes from the time of day. For example if the time of day is 9.00 am the latest 'Stop' time will be 8.59 am the next day. |
| 5 | Set to automatic. | Turn the timer selector knob to 'Auto'. |
| 6 | Turn on the oven control. | Turn the oven control to the required setting and select required function. |

The time shown on the right gives an example of setting the automatic controls when the time is 9.00 am, the food is to be cooked for 2½ hours and the food is needed at 6.00 pm (1800 hours).

The clock will work out what time the oven will switch itself on and it will turn the oven off at the end. Once the automatic sequence is finished there will be an alarm to remind you that you need to set the oven for manual operation. To do this turn the timer selector knob to 'manual'. Turn off the oven controls.

If you change your mind and want to cancel a programme that you have set simply turn to 'clock' and then to 'manual'.



THE TIMER (BS 641)

KEY

- A AUTO DISPLAY
- B MINUTE MINDER BUTTON
- C COOKING HOURS BUTTON
- D STOP TIME BUTTON
- E COOKING SYMBOL
- F MANUAL SELECTOR BUTTON
- G DECREASE CONTROL
- H INCREASE CONTROL

NOTE:

Step 1 must be completed before the oven will operate manually.

1. SET THE TIME OF DAY

When the electricity supply is first switched ON, the display will flash both 0.00 and AUTO as Fig.1.

Press the two buttons marked (☞) and (☛) and press the increase control button (+) and, if necessary, the decrease control button (-) until the correct time on the 24 hour clock is reached, e.g. 10.00 a.m. as Fig. 2.

Note: The increase and decrease control buttons operate slowly at first, and then more rapidly. They should be pressed separately.

The AUTO symbol will go out when the correct time of day is set as Fig. 2.

2. THE MINUTE MINDER

The minute minder gives an audible reminder at the end of any period of cooking up to 23 hrs 59 mins. It is not part of the automatic control.

To set, press the minute minder button (🔔) and the digital display will read 0.00 and the bell symbol will glow as Fig. 3.

Depress the increase control (+) until the display indicates the interval to be timed, e.g. 1 hr 45 mins as Fig. 4. If necessary depress the decrease control (-) to achieve the correct time interval.

NOTE: This must be completed within 4 seconds of first pressing the minute minder button.

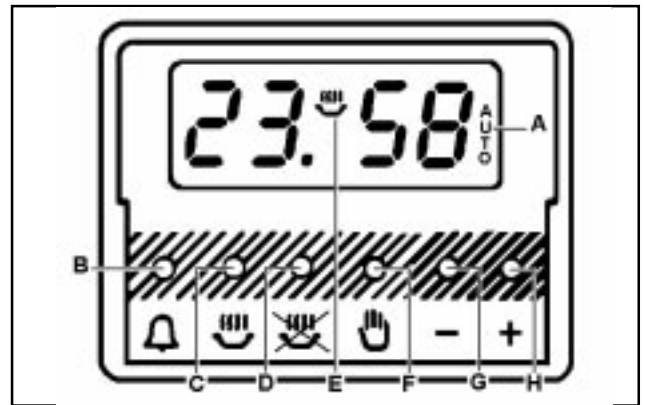


Fig. 1



Fig. 2

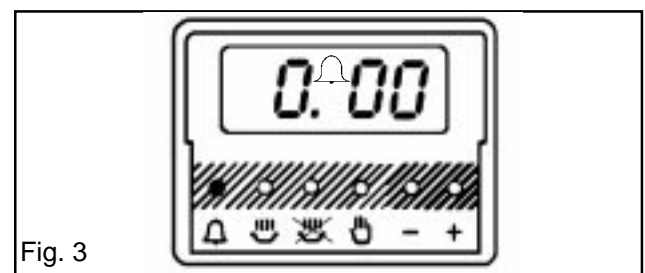


Fig. 3



Fig. 4

Release the minute minder button and the display will return to the time of day after 5 seconds.

During the operation of the minute minder, the remaining time period can be shown in the display by pressing the minute minder button (🔔) as Fig. 5.

The minute minder will sound intermittently, for up to 2 minutes and the bell symbol will flash at the end of the timed period. The sound can be stopped by pressing any of the 4 left hand side buttons.

3. HOW TO SET THE OVEN TIMER CONTROL

When using the timer control for the very first time, it is advisable to let it operate while you are at home. The displays can be checked to show that it is operating correctly and you will then feel confident to leave a meal to cook automatically in the future.

A) TO SET THE TIMER TO SWITCH ON AND OFF AUTOMATICALLY

- i) Ensure the electricity supply is switched ON and that the correct time of day is displayed, e.g. 9.00 a.m. as Fig. 6.
- ii) Place food in oven.
- iii) To set the length of cooking time, press the cooking hours button (🕒) press the increase control (+) until the required length of cooking time is displayed, e.g. 2 hrs 15 mins as Fig. 7. If necessary depress the decrease control (-) until the correct time interval is achieved.
- iv) Release the buttons. The AUTO display and cooking symbols will glow.

Remember, this must be completed within 4 seconds of first pressing the cooking hours button.

- v) Set the STOP time. Press the stop time button (🕒) press the increase control (+) until the required stop time is displayed, e.g. 12.15 p.m. as Fig. 8. If necessary depress the decrease control (-) until the correct time interval is achieved.
- vi) Release the buttons. The cooking symbol will go out and the time of day will be displayed after 5 seconds.
- vii) Set the selector to the required function and set the oven control to the required temperature. The oven indicator neon should be OFF and the AUTO display will glow.

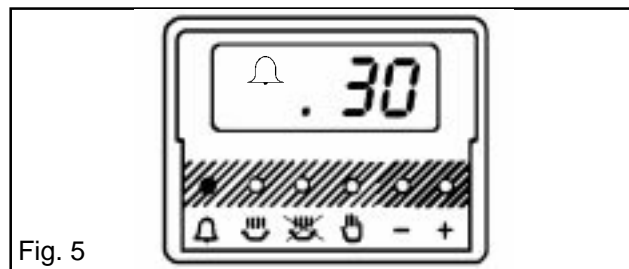


Fig. 5

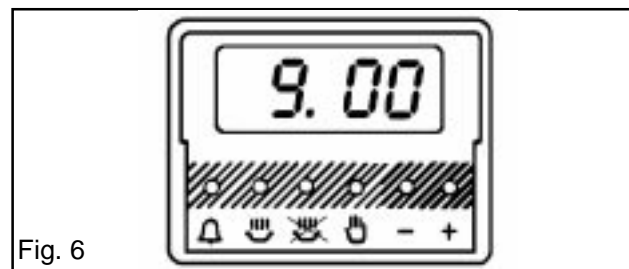


Fig. 6

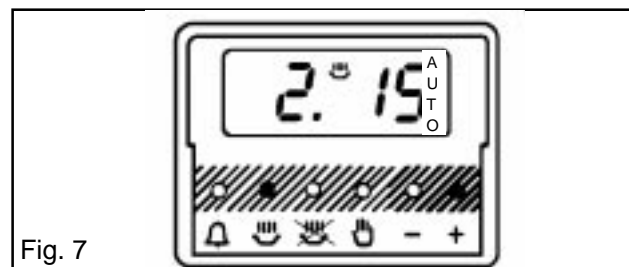


Fig. 7

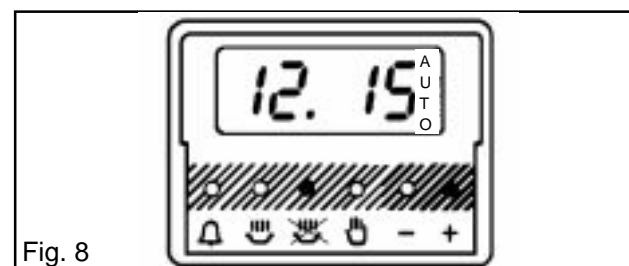
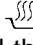
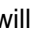


Fig. 8

Note: When the automatic timed period starts, the oven indicator neon will cycle ON and OFF during cooking.

B) TO SET THE TIMER TO SWITCH OFF ONLY


- i) Ensure the electricity supply is switched ON and that the correct time of day is displayed, e.g. 10.00 a.m. as Fig. 9.
- ii) Place food in oven.
- iii) To set the length of cooking time, press the cooking hours button () depress the increase control (+) until the required length of cooking time is displayed, e.g. 2 hrs 15 mins as Fig. 10. Depress the decrease control (-) if necessary.
- iv) Release the buttons. The AUTO display will glow and the time of day will be displayed after 5 seconds.
- v) Set the oven temperature and select the required function. The oven indicator neon should be ON.
- vi) To check the stop time during the cooking period, simply press the stop time button () and the stop time will be displayed, as Fig. 11.

4. TO RETURN THE COOKER TO MANUAL OPERATION

To cancel an automatic programme, or return the cooker to manual operation, follow the steps given below.

At the end of a timed cooking period, the AUTO light will flash and a bleeper will sound for up to 2 minutes. This can be stopped by pressing any of the 4 left hand side buttons as Fig. 12.

Turn oven control and selector to the OFF position. The AUTO display will continue to flash.

Press () button. The AUTO display will go out as Fig. 13.

Turn the oven control and selector ON to check that the oven operates manually. The oven indicator neon will glow.

Turn all oven controls OFF. No indicator neons should be lit.

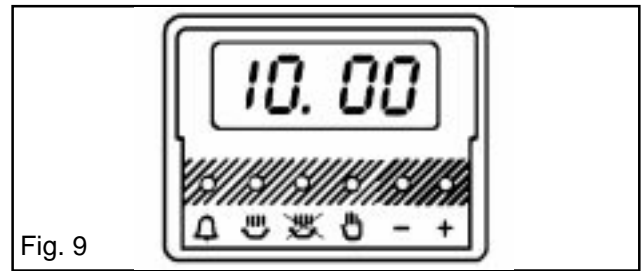


Fig. 9

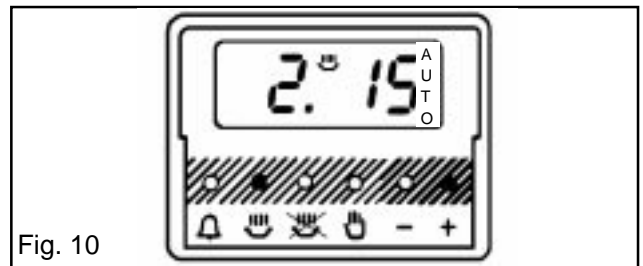


Fig. 10

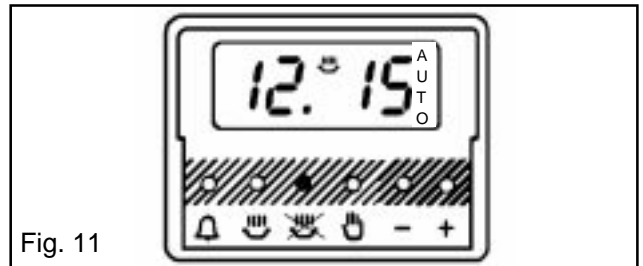


Fig. 11

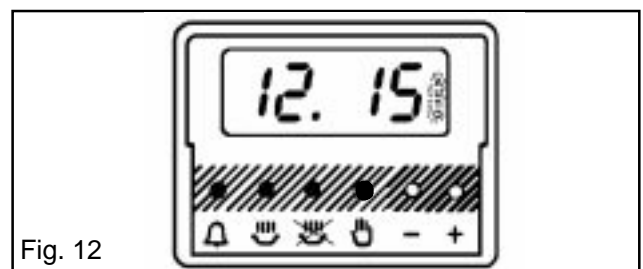


Fig. 12

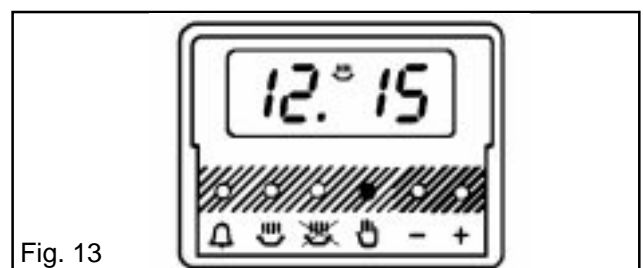



Fig. 13

5. THINGS TO NOTE

The time of day cannot be altered whilst the AUTO symbol is lit.

During the hours of 10p.m. (22.00hrs.) and 6 a.m. the display will glow dim. If a function is selected the display will glow brighter until the function is complete. It will then revert back to the dim mode.

A programme may be cancelled by returning the cooking hours to zero. Press the cooking hours button () press (-) button until 0.00 is displayed as Fig. 14.

Release all buttons. The AUTO display will now flash and acts as a reminder to reset the cooker to manual.

In the event of an interruption of the electricity supply, the timer will reset itself to zero, and all programming will be cancelled.

6. AUTOMATIC COOKING

It is advisable to leave food in the oven for as short a time as possible before automatic cooking. Always ensure commercially prepared food is well within its use by date and that home prepared food is fresh and of good quality.

When cooking is complete, do not leave food to stand in the oven, but remove and cool it quickly if the food is not to be consumed immediately.

Always ensure food in the oven has been covered before cooking if its not possible to remove food immediately after cooking.

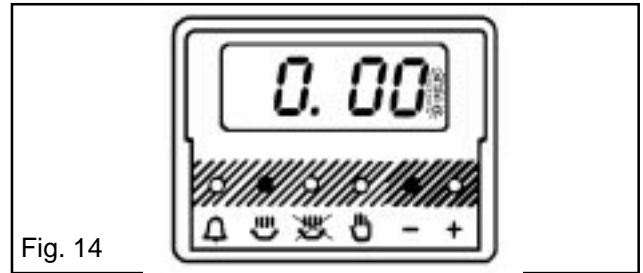


Fig. 14

THE GRILL

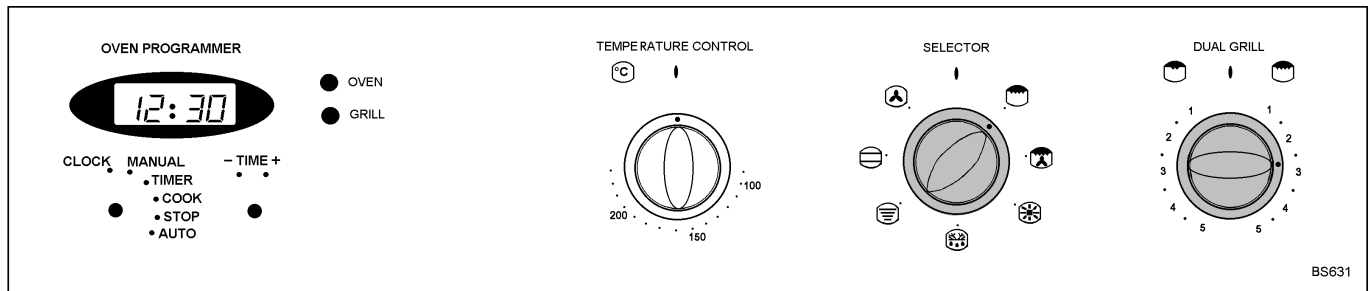
USES OF THE GRILL


CAUTION - ACCESSIBLE PARTS MAY BECOME HOT WHEN THE GRILL IS IN USE. CHILDREN SHOULD BE KEPT AWAY.

The grill is a dual circuit grill which means that the full area of the grill can be used or for economy purposes the centre section only can be used when cooking smaller quantities of food.

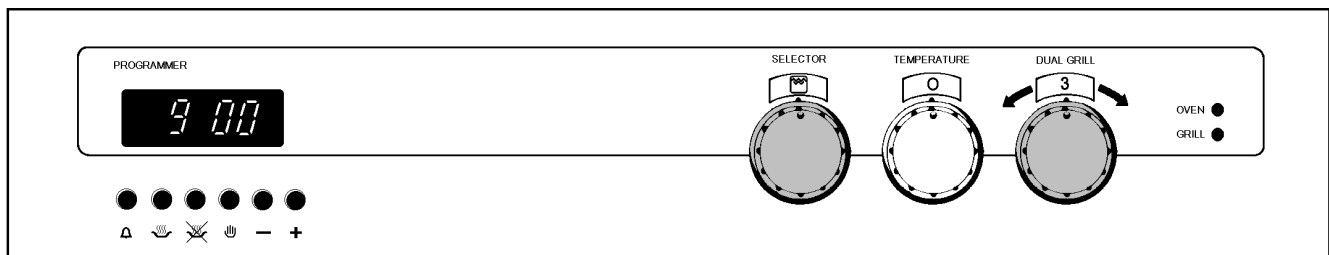
SELECTING THE GRILL


BS 631/2



- Set the selector to dual grill. 
- Turn the grill control clockwise for full grill or anticlockwise for the centre section only.
- The dual grill operates independently of the oven.

BS 641



- Set the selector to dual grill. 
- Turn the grill control clockwise for full grill or anticlockwise for the centre section only.
- The dual grill operates independently of the oven.

THINGS TO NOTE

THE OVEN DOOR MUST BE LEFT OPEN DURING GRILLING

1. The cooling fan for the controls will operate immediately in conjunction with the grill.
2. The grill indicator neon will light.
3. Do not attempt to use the grill when the fan oven has been set to automatic, as overheating will occur.
4. The handle must be removed before grilling except when inserting or removing the grill pan.
5. The indicator windows for dual grill and selector will illuminate (BS 641).
6. The outer grill element may appear to glow slightly brighter than the inner element. This is quite normal.

THE GRILL PAN AND HANDLE

The grill pan is supplied with a removable handle.

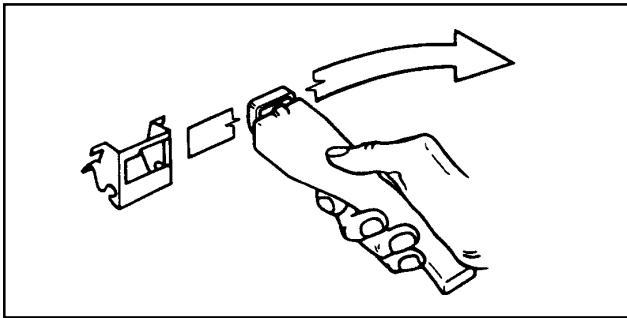
To insert the handle, press the button on the handle with the thumb and pivot the handle slightly upwards inserting the lip into widest part of the bracket. Move the handle towards the left, lower into position and release the button.

Ensure the handle is positively located.

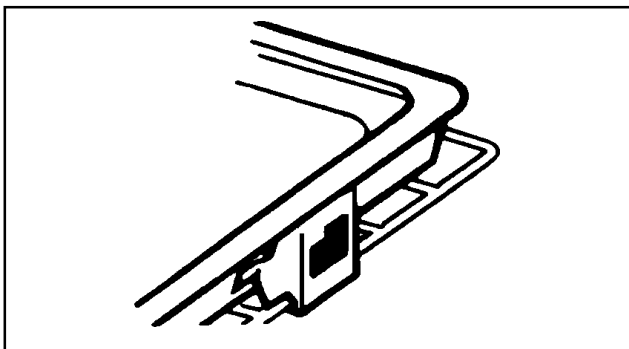
To remove the handle, press the button on the handle with the thumb and pivot the handle slightly upwards and towards the right to remove from the bracket.

Ensure your hand is protected when removing the grill pan handle as the grill element can become very hot.

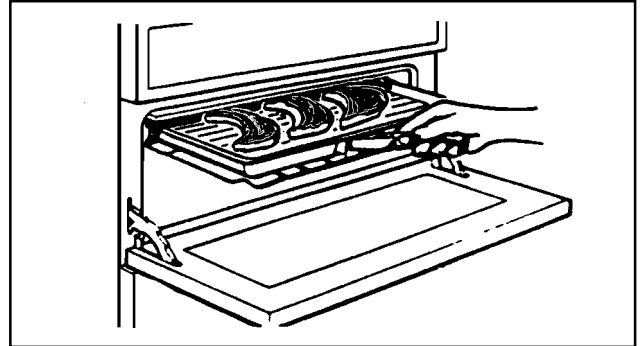
ALWAYS REMOVE THE GRILL PAN HANDLE DURING GRILLING.



To correctly locate the grill pan on the shelf, ensure that the cut out on the underside of the handle bracket locates over the front bar of the shelf.

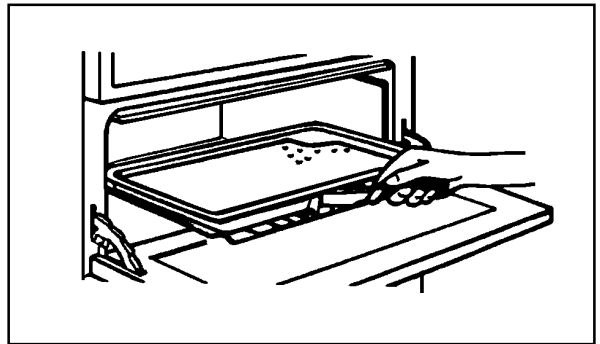


To check the progress of the food being grilled, the grill pan should be withdrawn on the shelf to attend to food during cooking.

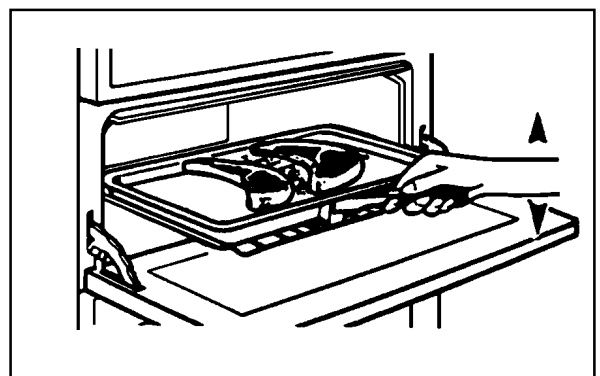


HINTS AND TIPS

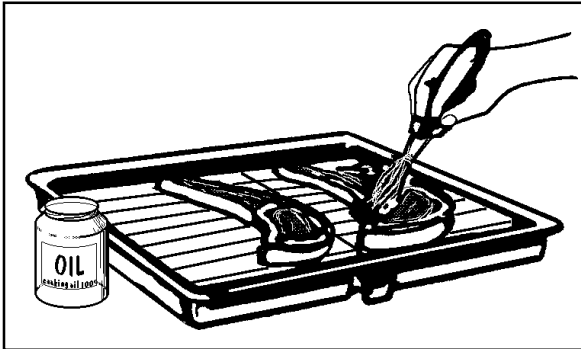
- Most foods should be placed on the grid in the grill pan to allow maximum circulation of air to lift the food out of the fats and juices. Food such as fish, liver and kidneys may be placed directly on the trivet in the grill pan, if preferred.



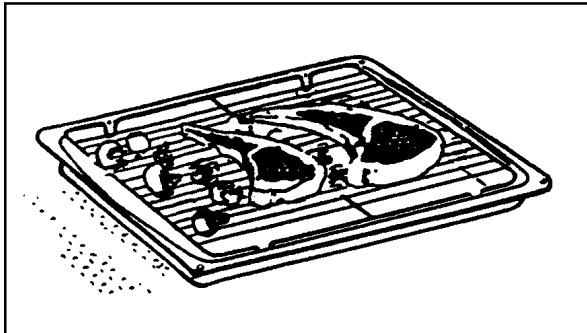
- Adjust the grid and grill pan runner position to allow for different thicknesses of food. Position the food close to the element for faster cooking and further away for more gentle cooking.



- Food should be thoroughly dried before grilling to minimise splashing. Brush lean meats and fish lightly with a little oil or melted butter to keep them moist during cooking.



- Accompaniments such as tomatoes and mushrooms may be placed underneath the grid when grilling meats.



- When toasting bread, we suggest that the top runner position is used with the grid in its 'low' position.
- Preheat the grill on a full setting for a few minutes before sealing steaks or toasting. Adjust the heat setting and the shelf as necessary, during cooking.
- The food should be turned over during cooking as required.
- The oven door must be left open when grilling.

GRILLING CHART

FOOD	SHELF	GRILL TIME (mins in total)
Toast	5	5-6
Bacon Rashers	4	10-15
Beefburgers	4	10-15
Chicken Joints	4	30-40
Chops - Lamb	4	15-20
Pork	4	20-30
Fish - Whole Trout/Mackerel	4	15-25
Fillets - Plaice/Cod	3	15
Kebabs	4	20-30
Kidneys - Lamb/Pig	4	10-20
Sausages	4	20-30
Steaks - Rare	4	6-12
Medium	4	12-16
Well Done	4	14-20
Toasted Sandwiches	4	3-4

Shelf positions are counted from the bottom of the oven upwards.

The times quoted above are given as a guide and should be adjusted to suit personal taste.

THE FAN OVEN

USES OF THE FAN OVEN

The oven is heated by the element around the fan situated behind the back panel. The fan draws air from the oven, the element heats the air which is circulated into the oven via the vents in the back panel. The advantages of fan oven cooking are:

PREHEATING

The fan oven quickly reaches its temperature, so it is not usually necessary to preheat the oven. Without preheating, however, you may find you need to add an extra 5-10 minutes on the recommended cooking times. For recipes needing high temperatures, e.g. bread, pastries, scones, soufflés, etc., best results are achieved if the oven is preheated first.

COOKING TEMPERATURES

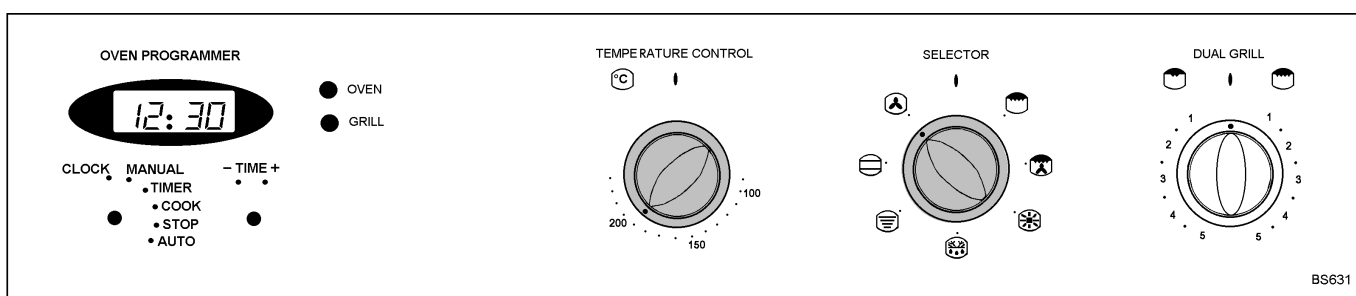
Fan oven cooking generally requires lower temperatures than conventional cooking. Follow the temperatures recommended in the chart on page 32 and in the recipes given in the cookbook supplied with the cooker. As a guide reduce temperatures by about 20°C-25°C for your own recipes.


BATCH BAKING

The fan oven cooks evenly on all shelf levels, especially useful when batch baking.

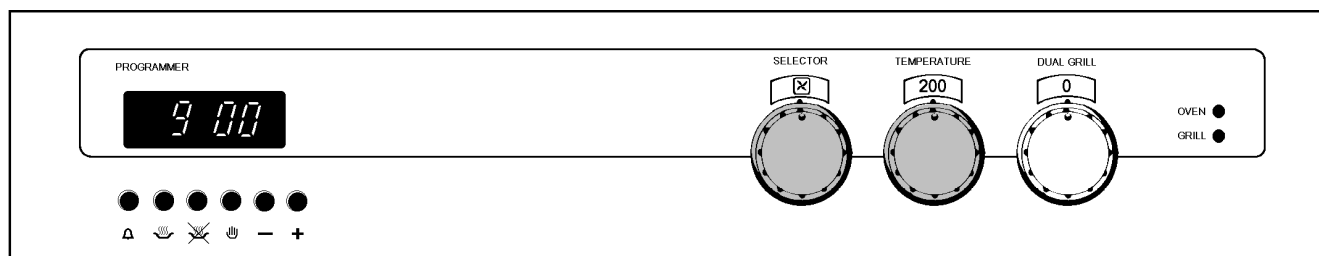
SELECTING THE FAN OVEN


BS 631/2



- Turn the selector to Fan Oven. 
- Turn the temperature control to the required setting.

BS 641



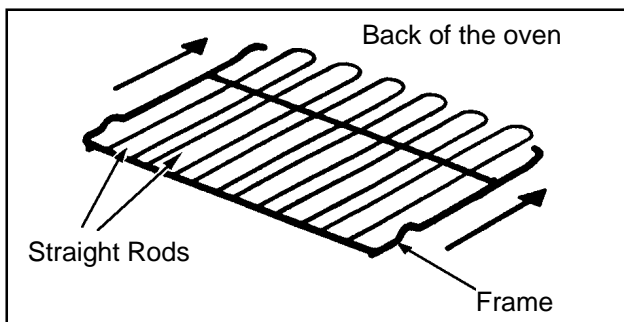
- Turn the selector to Fan Oven. 
- Turn the temperature control to the required setting.

THINGS TO NOTE

1. The temperature control and selector indicator windows will illuminate (BS 641).
2. The oven indicator neon will glow until the oven has reached the desired temperature and then go out. It will cycle ON and OFF periodically during cooking showing that the temperature is being maintained.
3. The oven fan will operate continually during cooking.
4. The oven light operates when the selector is set.
5. If an automatic programme is set, the oven fan and oven light do not come on until the cook time begins.
6. The cooling fan operates after a short time when the oven is in use. It may run on after the controls are switched off until the appliance has cooled. See note on page 15 for more details about the cooling fan.

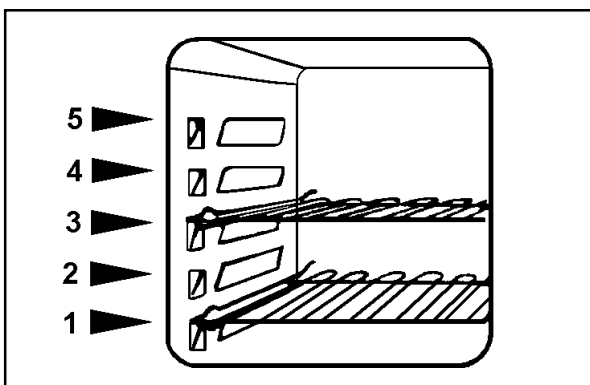
TO FIT THE OVEN SHELVES

The shelves should be fitted with the straight rods uppermost on the frame and the forms towards the back of the oven. If not fitted correctly the anti-tilt and safety stop mechanism will be affected.

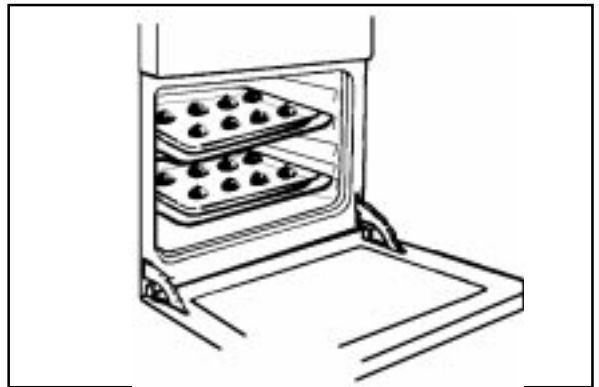


HINTS AND TIPS

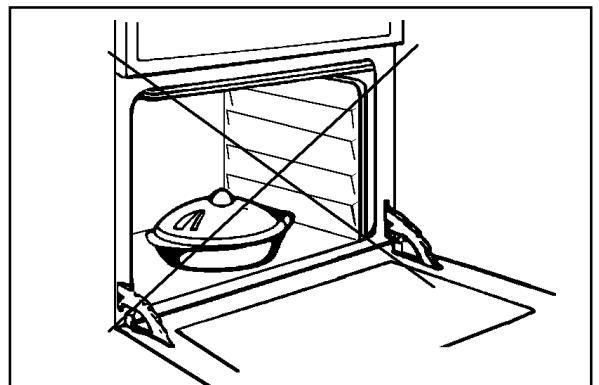
- Arrange the shelves in the required positions before switching the oven ON. Shelves are numbered from the bottom upwards.



- When cooking more than one dish in the fan oven, place dishes centrally on different shelves rather than cluster several dishes on one shelf, this will allow the heat to circulate freely for the best cooking results.
- When batch baking one type of food, e.g. Victoria sandwich cakes, those of similar size will be cooked in the same time.



- It is recommended that when baking larger quantities the shelf positions should be evenly spaced to suit the load being cooked. A slight increase in cooking time may be necessary.
- DO NOT place baking trays directly on the oven floor as it interferes with the oven air circulation and can lead to base burning. Use the lower shelf position. However, non-critical dishes may be placed on the fan oven base when more space is required.



- The use of excessively high temperatures can cause uneven browning. It may be necessary to reduce temperatures slightly. Refer to the recommendations given in the oven cooking chart on page 32.

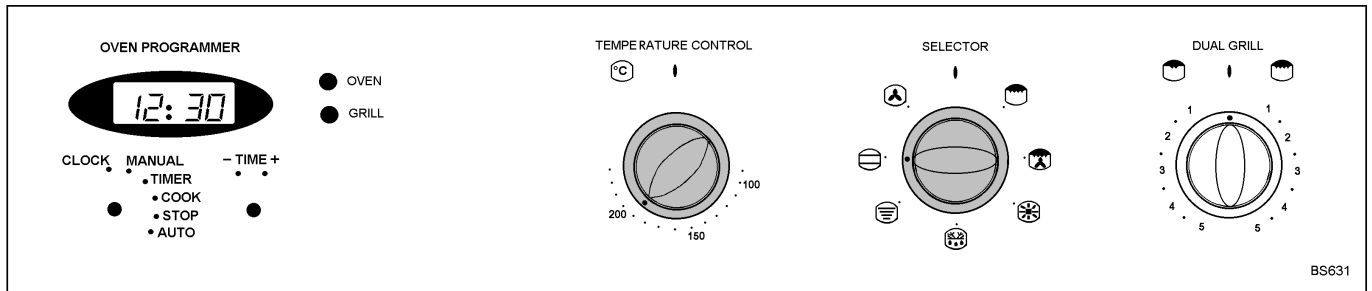
THE CONVENTIONAL OVEN


USES OF THE CONVENTIONAL OVEN

This function uses the top and lower elements to give single level cooking. This is particularly suitable for dishes which require extra base browning such as pizzas, quiches and flans. Gratins, lasagnes and hotpots which require extra top browning also cook well in the conventional oven. This form of cooking gives you the opportunity to cook without the fan in operation.

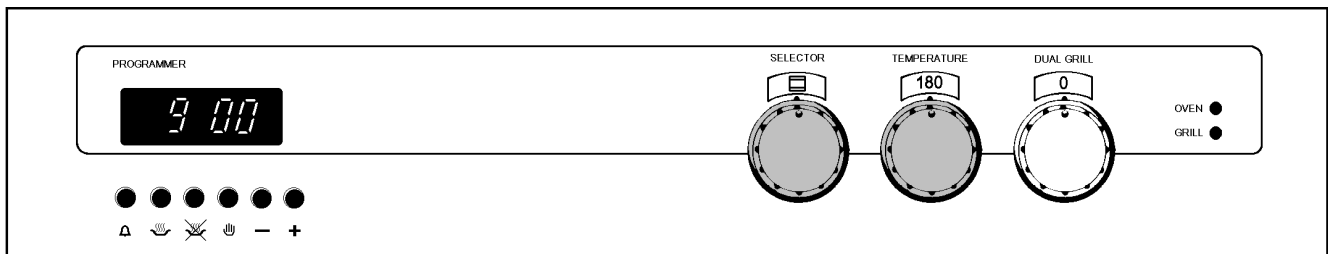
SELECTING THE CONVENTIONAL OVEN


BS 631/2



- Turn the selector to Conventional Oven. 
- Turn the oven temperature control to the required setting.

BS 641



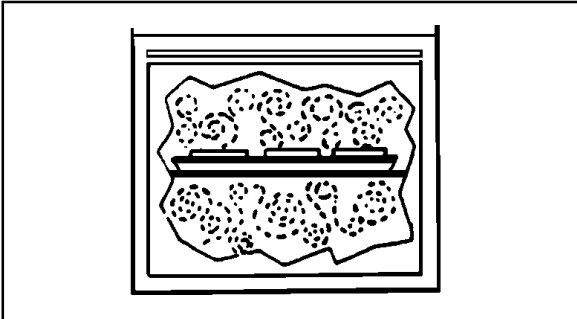
- Turn the selector to Conventional Oven. 
- Turn the oven temperature control to the required setting.

THINGS TO NOTE

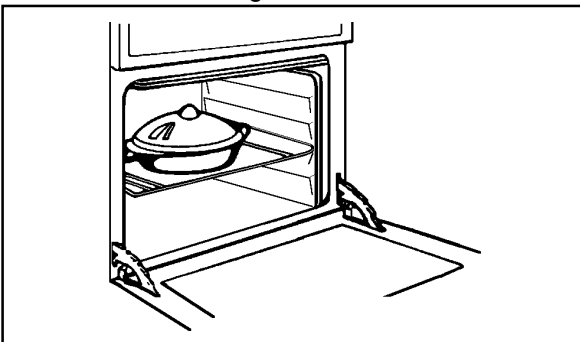
1. The selector and oven temperature indicator windows will illuminate (BS 641).
2. The oven indicator neon will glow until the oven has reached the desired temperature and then go OUT. It will then cycle ON and OFF showing that the oven temperature is being maintained.
3. The internal oven light operates when the selector is set. If an automatic programme is set, the oven light will come on when the cook time begins.
4. The cooling fan for the controls will operate after a short time and may run on after the controls are switched off until the appliance has cooled. See page 15 for more details on the cooling fan.

HINTS AND TIPS

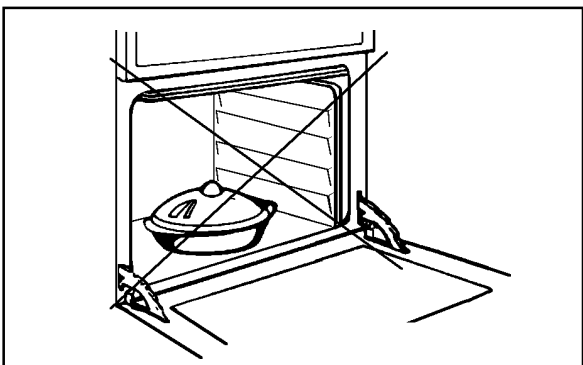
- The middle shelf position allows for the best heat distribution. To increase base browning simply lower the shelf position. To increase top browning, raise the shelf position.



- The material and finish of the baking trays and dishes used will affect base browning. Enamelware, dark, heavy or non-stick utensils increase base browning, while oven glassware, shiny aluminium or polished steel trays reflect the heat away and give less base browning.
- Always place dishes centrally on the shelf to ensure even browning.



- Stand dishes on suitably sized baking trays to prevent spillage onto the base of the oven and make cleaning easier.
- **Do not** place dishes, tins or baking trays directly on the conventional oven base as it becomes very hot and damage will occur.



- For faster preheating use the fan oven function to preheat the oven until the oven indicator neon goes out, then switch the selector to the conventional oven setting.
- Single level cooking gives best results. If you require more than one level cooking use the fan or zoned oven functions.

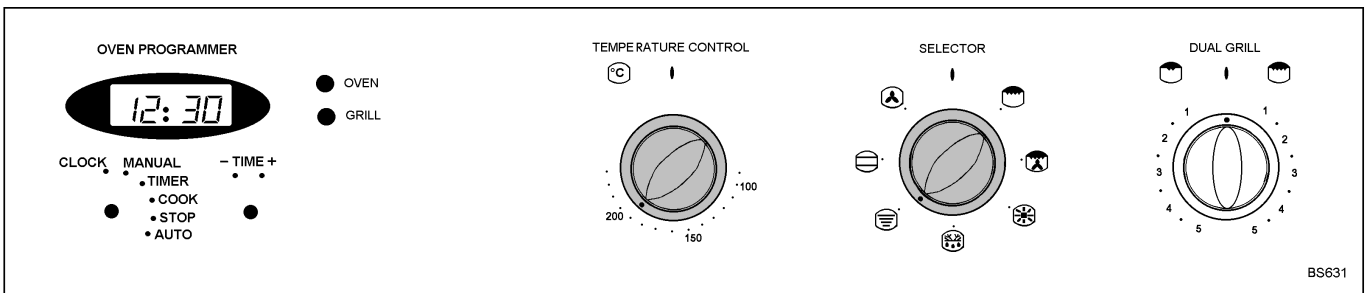
THE ZONED OVEN


USES OF THE ZONED OVEN

When the Zoned Oven is selected the top oven element operates in conjunction with the fan with effect that the top of the oven is hotter than the bottom. As there is a difference of up to 30°C between the top and bottom of the oven this feature is especially useful for dishes requiring different temperatures at the same time, making it ideal for cooking a complete meal on two shelves.

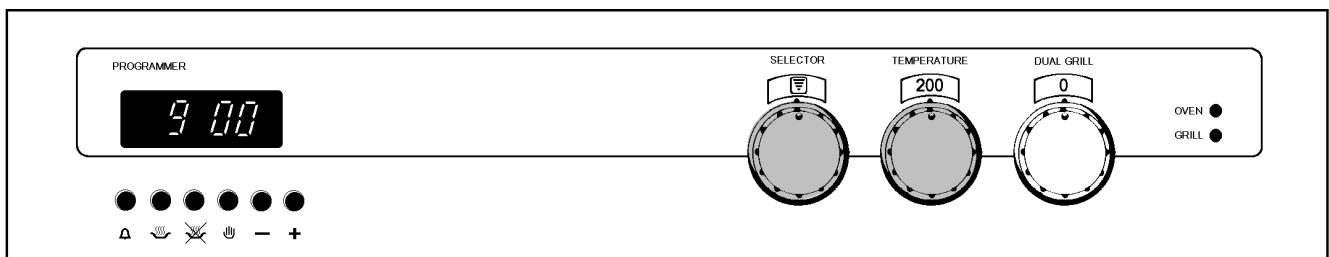
SELECTING THE ZONED OVEN


BS 631/2



- Turn the selector to Zoned Oven. 
- Turn the oven temperature control to the required setting.

BS 641



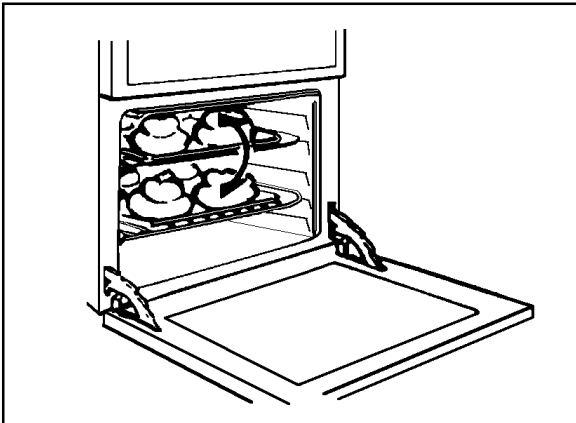
- Turn the selector to Zoned Oven. 
- Turn the oven temperature control to the required setting.

THINGS TO NOTE

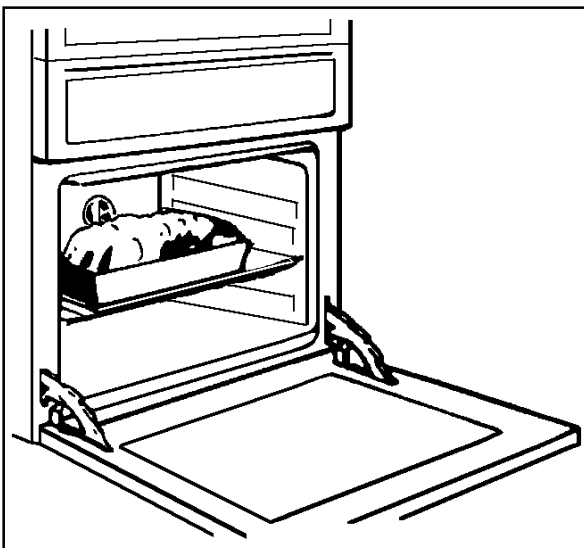
1. The selector and temperature control indicator windows will illuminate (BS 641).
2. The oven indicator neon will glow until the oven has reached the desired temperature and then go OUT. It will then cycle ON and OFF showing that the oven temperature is being maintained.
3. The internal oven light operates when the selector is set. If an automatic programme is set, the internal oven light will come on when the cook time begins.
4. The cooling fan for the controls will operate after a short time. It may run on after the controls are switched off until the appliance has cooled. See page 15 for further details on the cooling fan.

HINTS AND TIPS

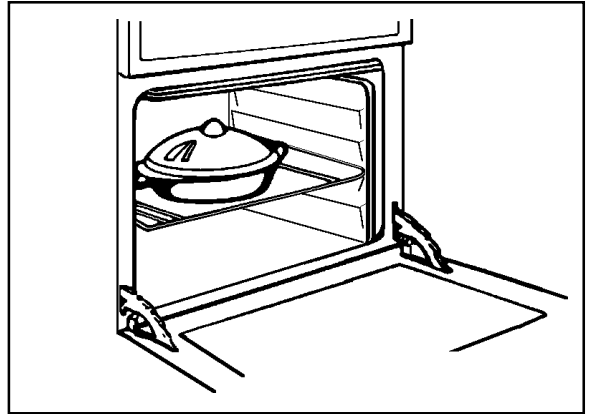
- Remember that the top of the oven is hotter than the bottom. The approximate difference in temperature between the top and the bottom is 30°C.
- If a higher shelf position is used than is recommended in the chart on page 32 it may be necessary to lower the cooking temperature by approximately 10°C.
- Be prepared to interchange dishes between the higher and lower shelf position during cooking, where necessary.



- It is best to cover dishes, where practical, for part of the cooking time to prevent over browning. Covering the food will also reduce fat splashing onto the oven interior and help to keep the oven clean. Uncover food for the last 15-30 minutes of cooking time to allow the food to brown.



- Ensure that food is placed centrally on the shelves and that there is sufficient room around the dishes to allow for maximum air circulation.



- The use of enamelware or dark, heavy or non-stick utensils will help to increase base browning for dishes such as Yorkshire Pudding, Plate Pies etc.
- For faster preheating use the Fan Oven function to preheat the oven until the oven indicator neon goes out, then switch to the Zoned Oven following the times, temperatures and shelf positions recommended.

OVEN COOKING CHART

The oven temperatures are intended as a guide only. It may be necessary to increase or decrease the temperatures by 10°C to suit individual preferences and requirements.

NOTE: Shelf positions are counted from the bottom of the oven.

Food	FAN OVEN		ZONED OVEN		CONVENTIONAL OVEN		
	Shelf Position	Cooking Temp °C	Shelf Position	Cooking Temp °C	Shelf Position	Cooking Temp °C	
Biscuits		180-190	1/3	160-170	3	180-190	
Bread		210-220	2	200-210	2	210-220	
Casseroles	Shelf	130-140	3	160-170	2	150-180	
Cakes: Small & Queen	positions	160-170	1/3	160-170	2	170-180	
Sponges		160-170	1/3	160-170	2	170-180	
Madeira	are not	140-150	2	140-150	2	160-170	
Rich Fruit	critical	130-140	1	130-140	2	150-160	
Christmas		130-140	-	-	1	130-140	
Meringues	but ensure	90-100	1/3	90-100	2	100-110	
Fish	that oven	170-190	1/3	160-180	2	170-190	
Fruit Pies and Crumbles		190-200	3	190-200	2	190-200	
Milk Puddings	shelves are	130-140	3	130-140	3	130-140	
Pastry: Choux	}	190-200	3	160	3	160-170	
Shortcrust			evenly				
Flaky			spaced	1/3	170-180	3	190-200
Puff							
Plate Tarts	when more	180-190	1/3	170-180	2	190-200	
Quiches/Flans	than one is	170-180	3	170-180	3	190-200	
Scones		210-220	1/3	210-220	3	230	
Roasting: Meat and Poultry	used	160-180	2	160-180	2	180-200	

THERMAL GRILLING

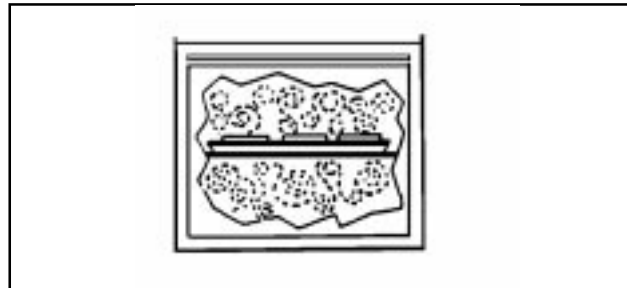
USES OF THERMAL GRILLING

Thermal grilling offers an alternative method of cooking food items normally associated with conventional grilling.

The grill element and the oven fan operate together, circulating hot air around the food. The need to check and turn food is reduced. Thermal grilling helps to minimise cooking smells in the kitchen and allows you to grill with the oven door closed. With the exception of toast and rare steaks, you can thermal grill all the foods you would normally cook under a conventional grill.

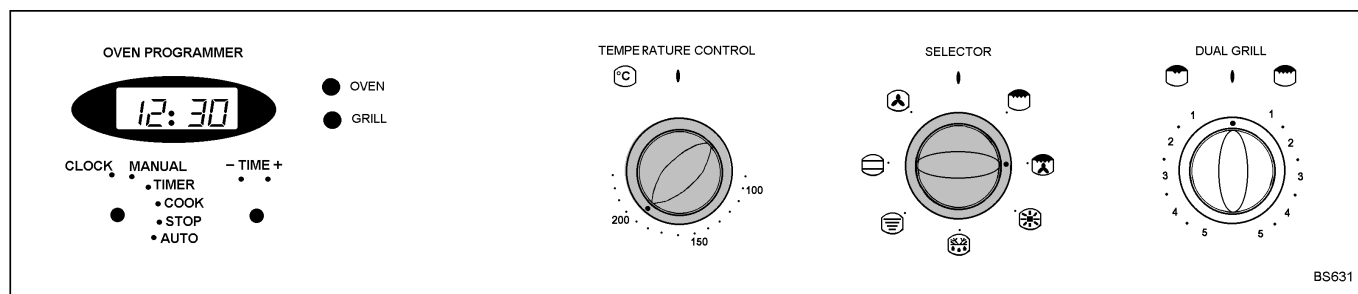
The lower part of the oven can be used to cook accompaniments at the same time, e.g. tomatoes and mushrooms with a mixed grill or breakfast.


Dishes prepared in advance such as shepherd's pie, lasagne and au gratins can be heated through and browned on the top using the thermal grilling function.



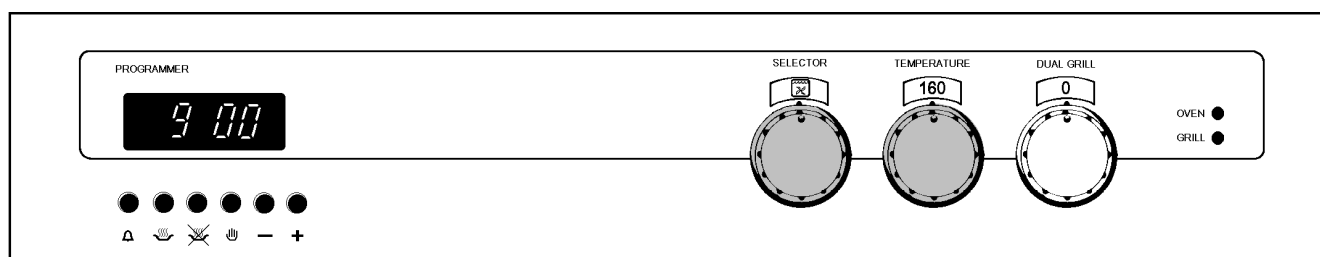
SELECTING THERMAL GRILLING


BS 631/2



- Turn the selector to Thermal Grill. 
- Turn the oven temperature control to the required setting. (A temperature of between 140°C and 220°C is suitable for thermal grilling).
- Always thermal grill with the door closed and with the grill pan handle removed.

BS 641



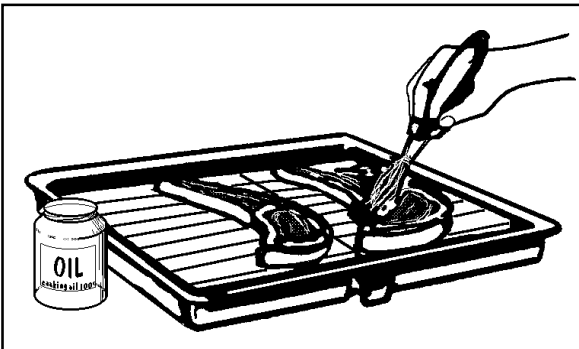
- Turn the selector to Thermal Grill. 
- Turn the oven temperature control to the required setting. (A temperature of between 140°C and 220°C is suitable for thermal grilling).
- Always thermal grill with the door closed and with the grill pan handle removed.

THINGS TO NOTE

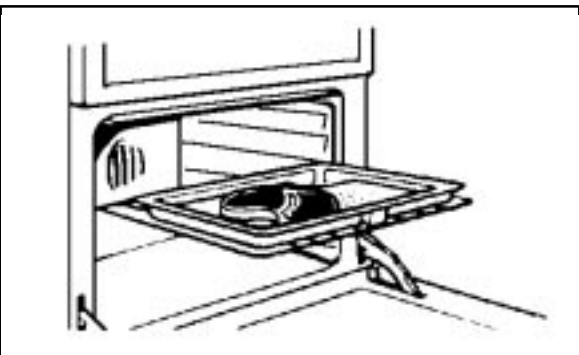
1. The oven indicator neon will glow until the oven has reached the desired temperature and then go OFF. It will then cycle ON and OFF showing that the oven temperature is being maintained.
2. The indicator windows for selector and oven temperature control will illuminate (BS 641).
3. The oven fan and internal light will come on.
4. The cooling fan for the controls will operate after a short time. It may run on after the controls are switched off until the appliance has cooled.

HINTS AND TIPS

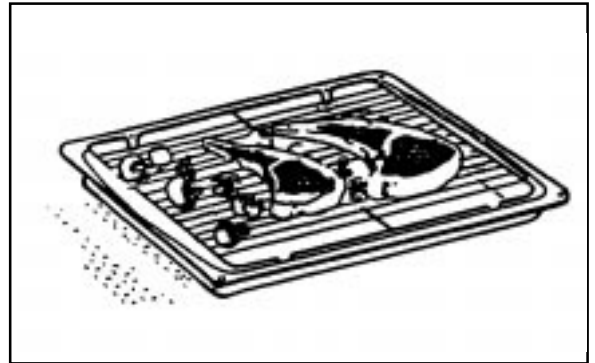
- Prepare foods in the same way as for conventional grilling. Brush lean meats and fish lightly with a little oil or butter to keep them moist during cooking.



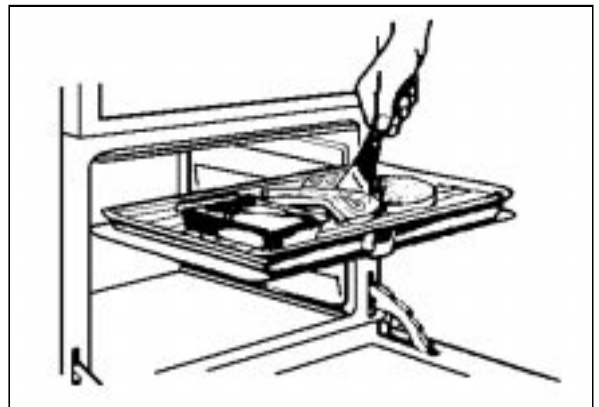
- Most food should be placed on the grill pan grid in the 'high' position in the grill pan to allow maximum circulation of air around the food. Food such as fish, liver and kidneys may be placed directly onto the trivet in the grill pan, if preferred.
- The use of the trivet beneath the grid when grilling fatty foods will help minimise splashing.



- Accompaniments such as tomatoes and mushrooms may be placed below the grid when grilling meats, or in a separate dish on a lower shelf.



- Foods will cook more quickly the closer they are to the grill element and the higher the temperatures selected. Be prepared to adjust temperatures and shelf positions during cooking if necessary.
- Turn food over during cooking, as necessary.



- Ensure that ready prepared or cooked chilled dishes e.g. shepherd's pie, moussaka, lasagne, etc., are piping hot throughout before serving.
- A temperature range of 140-220°C and shelf positions 3 and 4 are suitable for most foods. Be prepared to make adjustments during cooking to suit individual requirements. If thermal grilling on more than one level, it may be necessary to interchange the food on the shelves during cooking.

COOKING TIMES

Cooking is more gentle, therefore food generally takes a little longer to cook when thermal grilling compared with conventional grilling. One of the advantages is that larger loads can be cooked at the same time.

A general guide to cooking times is given on page 37 but these times may vary slightly depending on the thickness and quantity of food being cooked.

THERMAL GRILLING CHART

FOOD	SHELF	TEMP (°C)	TIME (mins in total)
Bacon Rashers	3	200	8-12
Beefburgers	3	190	10-15
Chicken Joints	4	160	35-45
Chops - Lamb	4	170	20-25
- Pork	4	170	25-35
Fish - Whole Trout	4	170	10-20
- Mackerel	4	170	10-20
Fillets - Plaice/Cod	3	170	10-15
Kebabs	3	170	20-30
Kidneys - Lamb/Pig	3	180	10-15
Liver - Lamb/Pig	3	180	20-30
Sausages	3	190	10-15
Steaks - Medium	3	220	8-10 each side
Steaks - Well Done	4	220	10-12
Heating through and Browning e.g. au-gratin, lasagne, shepherd's pie	3	170	each side 20-30 depends on size

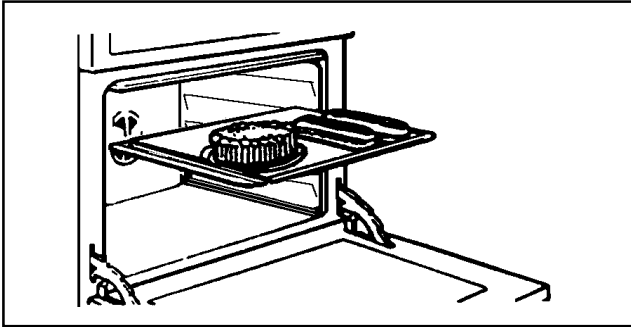
NOTE: Shelf positions are counted from the bottom of the oven.

The times quoted above are given as a guide and should be adjusted to suit personal taste.

DEFROST FEATURE

USES OF DEFROST FEATURE

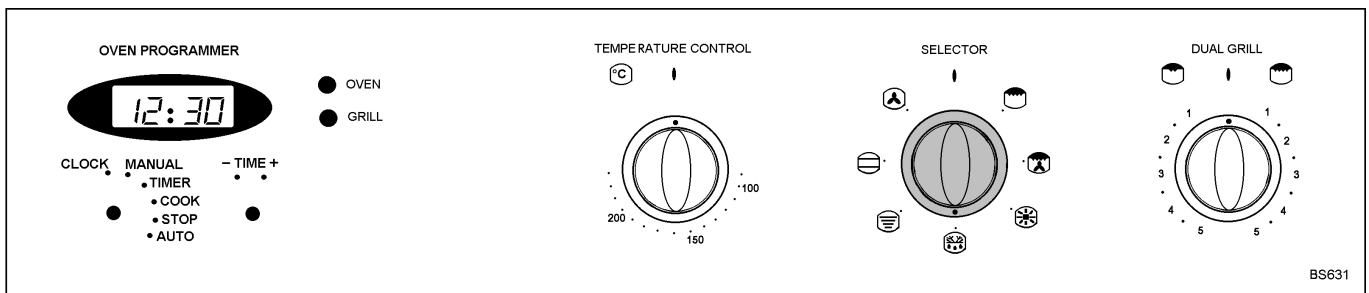
This function enables you to defrost most foods faster than some conventional methods as the oven fan circulates air around the food. It is particularly suitable for delicate frozen foods which are to be served cold e.g. cream filled gateaux, cakes covered with icings or frostings, cheesecakes, biscuits, scones etc.




It is preferable to thaw fish, meat and poultry slowly in the fridge. However, this process can be accelerated by using the defrost function.

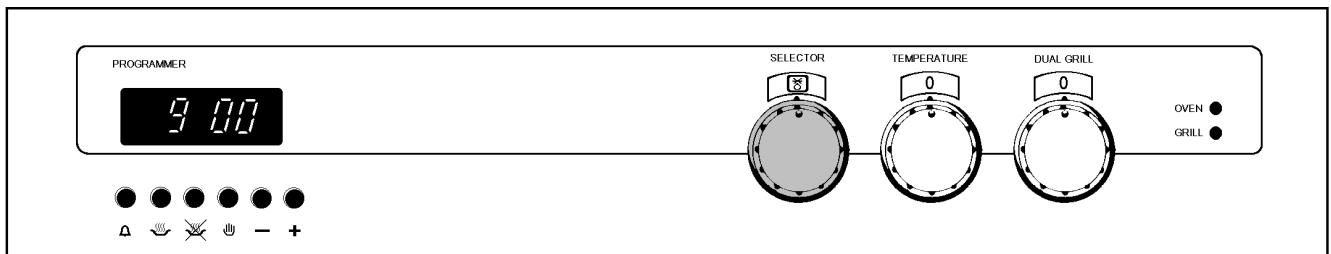
SELECTING DEFROST


BS 631/2



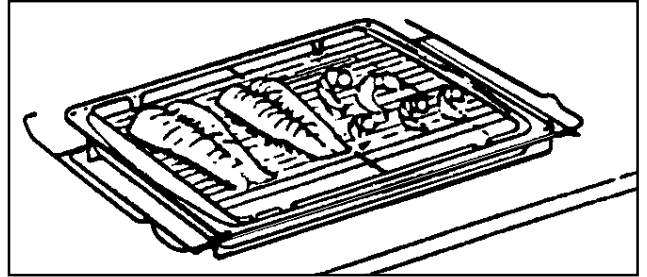
- Turn the selector to Defrost. 
- This function DOES NOT require a temperature setting on the oven temperature control.

BS 641



- Turn the selector to Defrost. 
- This function DOES NOT require a temperature setting on the oven temperature control.

Small or thin fish fillets, frozen peeled prawns, cubed or minced meat, liver, thin chops, steaks etc., can be thawed in 1 - 2 hours.



A 1kg/2¼lb oven ready chicken will be thawed in approximately 5 hours. Remove the giblets as soon as possible during the thawing process.

Joints of meat up to 2kg/4½lb in weight can be thawed using the defrost function.

ALL JOINTS OF MEAT AND POULTRY MUST BE THAWED THOROUGHLY BEFORE COOKING.

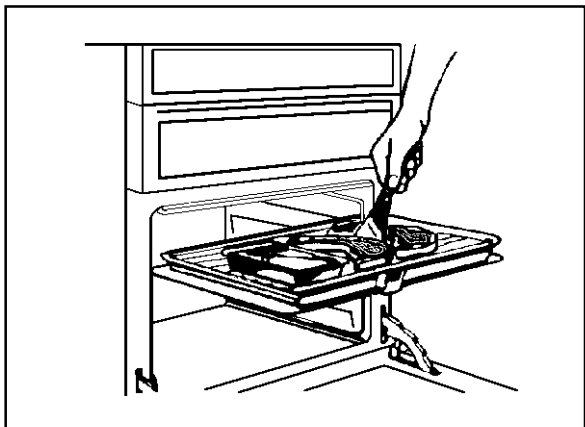
ALWAYS COOK THOROUGHLY IMMEDIATELY AFTER THAWING.

THINGS TO NOTE

1. The selector indicator window will illuminate (BS 641).
2. The oven fan and internal oven light will come on. No heat is produced when the defrost function is selected. The heating elements stay OFF even if the temperature control is set.
3. The cooling fan for the controls should not operate.
4. Care must always be taken when handling foods in the home. Always follow the basic rules of food hygiene to prevent bacterial growth and cross contamination when defrosting, preparing, cooking, cooling and freezing foods. See Helpful Hints on Buying and Preparing food on page 38.

HINTS AND TIPS

- Place the frozen food in a single layer where possible, and turn it over half way through the defrosting process.



- The actual speed of defrosting is influenced by room temperature. On warm days defrosting will be faster than on cooler days.
- DO NOT leave food at room temperature once it is defrosted. Cook raw food immediately or store cooked food in the fridge.

HELPFUL HINTS WHEN BUYING AND PREPARING FOOD

Care must be taken when handling foods in the home. Always follow the basic rules of food hygiene to prevent bacterial and microbial growth and cross contamination when preparing, reheating, cooking, cooling, defrosting and freezing foods.

1. Always ensure food you purchase is of good quality and in prime condition. Shop at a reliable source and buy the 'freshest' looking package - avoid shop worn labels or produce covered in dust.
2. Avoid buying chilled or frozen products if you cannot store them straight away. The use of an insulated container when shopping is advisable.
3. Buy and consume foods prior to the 'Sell by' or 'Best Before' date.
4. When you arrive home, place perishable foods in the refrigerator or freezer immediately. Ensure they are well covered to prevent them drying out and to prevent any possible cross contamination with bacteria from raw to cooked foods.
5. Follow the cooking instructions on packets of prepacked and cook chill foods, but be prepared to adjust cooking times and temperatures to suit your particular oven. For example, the Fan Oven generally requires 20-25°C lower temperature than conventional oven.
6. Always ensure that cook chill foods are thoroughly reheated until they are piping hot throughout.
7. It is preferable to defrost frozen foods slowly in the refrigerator. Alternatively, a microwave cooker or the Defrost function on your oven may be used.
8. Always cook defrosted foods immediately after thawing. Thawed food should never be refrozen.
9. Joints of meat and poultry should be thoroughly defrosted before cooking.

10. Cook meat thoroughly - use a meat thermometer if preferred, which penetrates the joint to check that the centre temperature has reached the required temperature (see table below).

MEAT	TEMPERATURES
Beef	Rare - 60°C Medium - 70°C Well Done - 80°C
Pork	Well Done - 80°C
Lamb	Medium - 70°C Well Done - 80°C

11. If not eaten straight away after cooking, food should be cooled as quickly as possible (within one hour) and then refrigerated or frozen as required. (**Do not** put hot food into a Refrigerator or Freezer).
12. In the kitchen keep worktops, chopping boards and utensils clean with hot soapy water between preparation stages. Ideally, keep one chopping board for raw meat and another for other foods. Keep your dish cloths and tea towels clean.

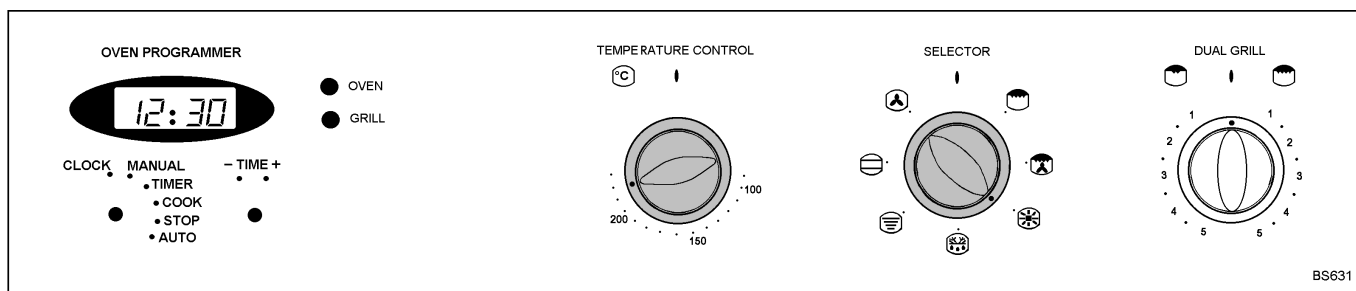
OVEN CLEAN FEATURE


USES OF OVEN CLEAN FEATURE

During normal use the Stayclean coating within the oven will become splashed with fats and food residues. When the oven clean feature is selected the Stayclean surfaces burn off any soilage. See Care of Stayclean Surfaces on page 42 for more details. Regular use of the oven clean function will keep the Stayclean panels in good condition.

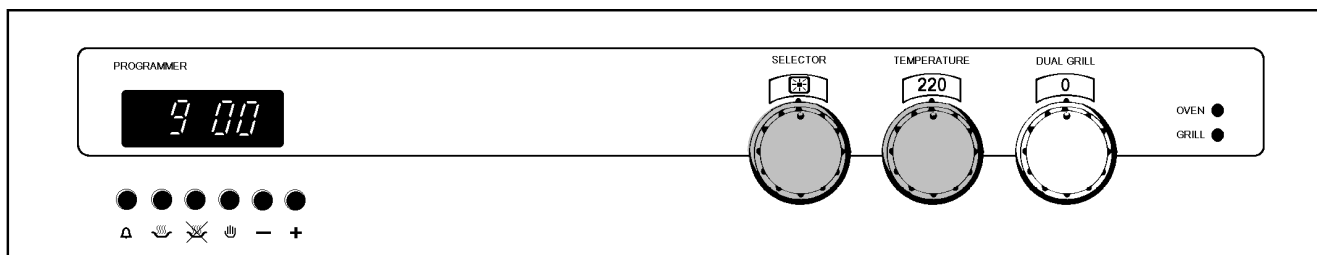
SELECTING OVEN CLEAN


BS 631/2



- Remove oven shelves and bakeware from oven.
- Turn the selector to oven clean. 
- Set the oven temperature to 220°C.

BS 641



- Remove oven shelves and bakeware from oven.
- Turn the selector to oven clean. 
- Set the oven temperature to 220°C.

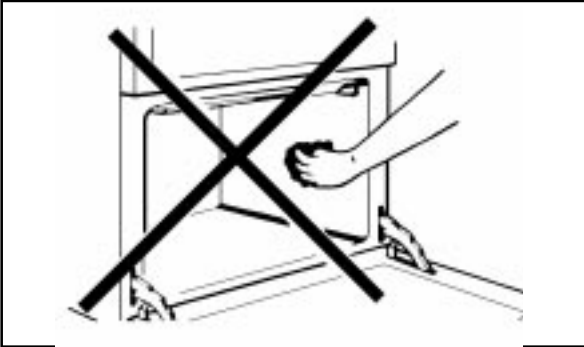
THINGS TO NOTE

1. The selector and temperature control indicator windows will illuminate (BS 641).
2. The oven indicator neon will glow until the oven has reached the desired temperature and then go out. It will then cycle ON and OFF showing that the oven temperature is being maintained.
3. The internal oven light operates when the selector is set.
4. The cooling fan for the controls will operate after a short time when oven clean is selected.

HINTS AND TIPS

- Manual cleaning of the Stayclean surfaces is NOT recommended.

Damage will occur if soap impregnated steel wool pads, aerosol cleaners, or any abrasive cleaners are used.



- Slight discolouration and polishing of the Stayclean surfaces may occur in time, but this will not affect their self cleaning properties.
- Use the oven clean function for an hour or two per week to avoid a build up of soilage which could prevent the Stayclean enamel from working properly.
- A good time to use the oven clean function is after the weekly roast. Simply select oven clean function as described above and allow the oven to run for an hour or so.
- Surfaces which are not Stayclean coated, e.g. the oven base, the oven exterior, etc., will require manual cleaning. Refer to the Care and Cleaning section page 41 for details.
- Useful hints and tips are given on page 42 to keep oven soilage to a minimum.

CARE AND CLEANING

BEFORE CLEANING THE COOKER ALWAYS ALLOW THE COOLING FAN TO COOL THE COOKER DOWN BEFORE SWITCHING OFF THE ELECTRICITY SUPPLY.

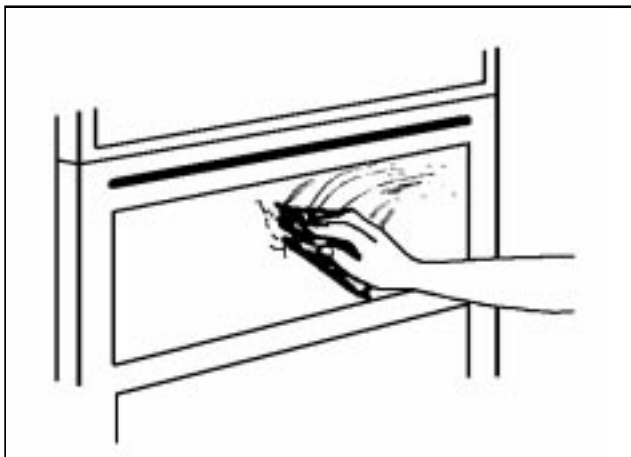
CLEANING MATERIALS

Before using any cleaning materials on your cooker, check that they are suitable and that their use is recommended by the manufacturer.

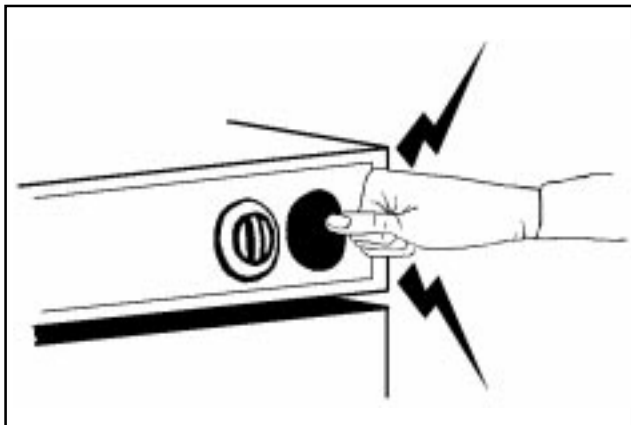
Cleaners that contain bleach should NOT be used as they may dull the surface finishes. Harsh abrasives should also be avoided.

CLEANING THE OUTSIDE OF THE COOKER

DO NOT use abrasive cleaning materials or scourers on the outside of the cooker, as some of the finishes are painted and damage may occur. Regularly wipe over the control panel and oven door using a soft cloth well wrung out in warm water to which a little liquid detergent has been added.



DO NOT ATTEMPT TO REMOVE ANY OF THE CONTROL KNOBS FROM THE PANEL AS THIS MAY CAUSE DAMAGE AND IS A SAFETY HAZARD.

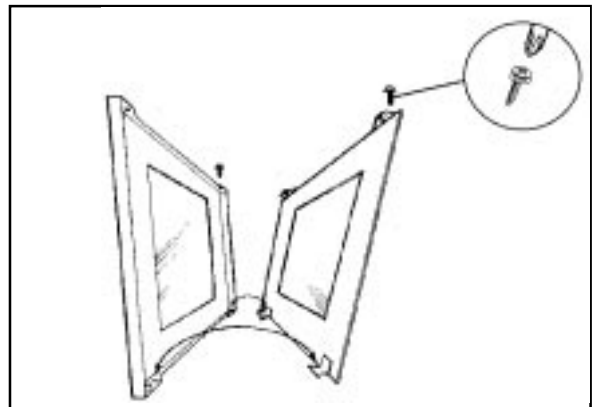


CLEANING BETWEEN THE OUTER AND INNER DOOR GLASS

The outer door glass is removable for cleaning.

TO REMOVE THE OUTER GLASS

1. Open the oven door slightly to gain access to the two cross head screws on the top of the oven door.
2. Loosen the two screws using a Pozidrive screwdriver.
3. Hold the door glass securely in place with one hand, before removing the screws completely with the other hand.
4. Using both hands, gently tilt the top of the door glass towards you. Lift slightly to disengage the locators from the two bottom brackets.



5. Clean the outer and inner glass using hot soapy water or Hob Brite. Should the inner face of the outer door glass be heavily soiled, it is recommended that soapy water with a high concentration of soap is used. To prevent streaking, a glass cleaning spray may be applied and the glass polished with a soft cloth. DO NOT try to clean the aluminium foil which is inside the door. The foil is there to help keep the door cool, if it is damaged it will not work. Ensure that all parts are well rinsed and thoroughly dry before attempting to replace the outer door glass.

TO REPLACE THE OUTER GLASS

1. Holding the oven glass with both hands, gently place the locators into the holes of the brackets at the bottom of the oven door.
2. Push the top of the oven glass towards the oven door, ensuring the screw location holes line up.
3. Hold the glass in place with one hand and insert the cross head screws into the location holes with the other hand. Give the screws one turn to ensure the glass is secure.
4. Tighten the screws positively with a Pozidrive screwdriver before closing the oven door.

DO NOT attempt to use the oven without the glass being in place.

TO CLEAN INSIDE THE INNER GLASS DOOR

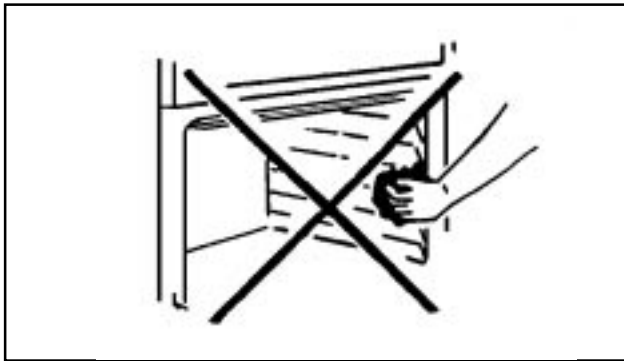
The inner glass door is not removable. Clean using hot soapy water or Hob Brite and a soft cloth. Take care NOT to use abrasives as they may damage the glass or seal.

CLEANING INSIDE THE OVEN

The Stayclean surfaces inside the oven should not be cleaned manually. See 'Care of Stayclean Surfaces' below.

The vitreous enamel on the oven base can be cleaned using normal oven cleaners or aerosol oven cleaners with care. Ensure that the manufacturers instructions are followed and that all parts are well rinsed afterwards.

Aerosol cleaners must not be used on Stayclean surfaces and must not come into contact with the elements or the door seal as this may cause damage.



CLEANING THE OVEN SHELVES AND GRILL/OVEN FURNITURE

Soak the oven shelves and grilling grid in hot soapy water if heavily soiled. They will then clean more easily.

The grill pan/meat tin and trivet can be cleaned using a soap impregnated steel wool pad.

All the above items of grill/oven furniture are dishwasher safe.

Note: The grill pan handle should not be cleaned in the dishwasher.

CARE OF STAYCLEAN SURFACES

Stayclean surfaces destroy splashes of food and fats when the oven temperature is raised to around 220°C.

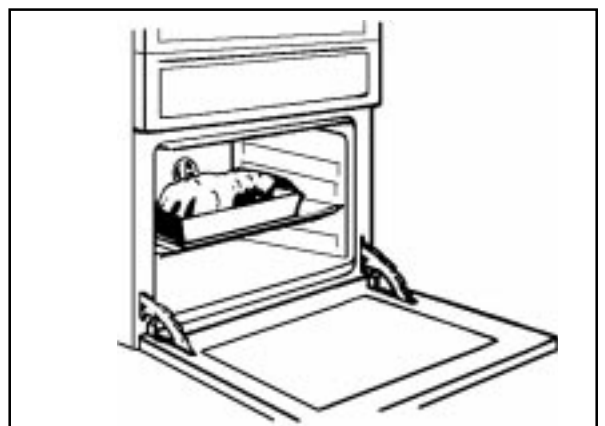
To aid this process it is a good idea to run the oven for an hour or two per week, without food, to ensure continued good performance from the Stayclean finish.

HINTS AND TIPS

- Manual cleaning of Stayclean is not recommended. Damage will occur if soap impregnated steel wool pads, aerosol cleaners and any other abrasives are used.
- Slight discolouration and polishing of the Stayclean surface may occur in time. This does not affect the Stayclean properties in any way.
- Follow the recommendations below to keep oven soilage to a minimum.

COOKING TO REDUCE SOILAGE

1. Cook at the recommended temperatures. Higher temperatures during roasting will increase soilage. Try cooking at lower temperatures for an increased length of time, you will save energy and often the joint is more tender.
2. Use minimal, if any, extra oil or fat when roasting meat; potatoes only require brushing with fat before cooking. Extra fat in the oven during roasting will increase splashing and soilage.
3. It is NOT necessary to add water to the meat tin when roasting. The water and the fat juices from the joint create excessive splattering during cooking, even at normal temperatures, as well as causing condensation.
4. Covering joints during cooking will also prevent splashing onto the interior surfaces; removing the covering for the last 20-30 minutes will allow extra browning, if required. Some large joints and turkeys especially benefit by this method of cooking, allowing the joint to cook through before the outside is overbrowned.



5. **Do use** the trivet in the grill pan/meat tin. During roasting, the fat from the joint will be contained beneath the trivet and therefore prevent it from splattering onto the 'Stayclean' finish.

REPLACING THE OVEN LIGHT BULB

The type of bulb required is a 300C 25 watt small Edison Screw. Part number 572 491 5431-00/1. (Available through Tricity Bendix service centres).

CAUTION: DISCONNECT THE COOKER FROM THE ELECTRICITY SUPPLY BEFORE REPLACING THE BULB.

Open the oven door and remove the shelves to enable easy access to the oven light assembly. Insert a flat blade screwdriver between the oven side and the glass which covers the bulb.

Support the glass with your hand and prise out sufficiently to release the glass cover. Unscrew the bulb in an anticlockwise direction until it is possible to remove the bulb with ease.

Fit the new bulb by turning in a clockwise direction until it is secure. Ensuring the indent to the flange is pointing to the rear of the oven, replace the glass by pushing it firmly into the hole to cover the bulb assembly.

Replace the shelves. Restore the electricity supply and adjust the time of day, as necessary.

SOMETHING NOT WORKING

Please carry out the following checks on your cooker before calling a Service Engineer. It may be that the problem is a simple one which you can solve yourself without the expense of a Service call.

If our Service Engineer finds that the problem is listed below you will be charged for the call whether or not the cooker is under guarantee.

The grill, oven and timer do not work.

- * Check that the cooker has been wired in and is switched on at the wall.
- * Check that the main cooker fuse is working.
- * Check that the timer is set to manual. See pages 17 and 19.

If you have checked the above:

- * Switch OFF cooker at the wall and allow the appliance to cool for a couple of hours. Switch ON again. The cooker should now be working normally.

The grill works but the oven does not.

- * Check that the timer is set to manual operation. See pages 17 and 19.
- * Check that the grill control is in the OFF position.
- * If you have checked that the timer is set for manual switch OFF at the wall to allow the oven to cool. Check that the oven is now working normally.

The timer control does not work.

- * Check that the operating instructions are being closely followed. See pages 17 and 19.

The grill does not work or cuts out after being used for a long period of time.

- * Leave the oven to cool for a couple of hours. Check that the grill operates normally. Ensure that the door is left open during grilling.
- * If the cooling fan fails, the grill will not work. Please contact your Customer Service Centre.

The oven temperature is too high or low.

- * Check that the recommended temperatures are being used (see page 32). Be prepared to adjust up or down 10°C to achieve the results you want.
- * Care should be taken if using an oven thermometer to check oven temperatures as they may be inaccurate.

The following factors should be considered.

- * Ensure you purchase an accurate good quality instrument.
- * Ovens will cycle about a set temperature and will not be constant.

If the oven is not cooking evenly.

- * Check that the cooker is correctly installed and that it is level.
- * Check that the recommended temperatures and shelf positions are being used.

The oven light fails to illuminate.

- * Refer to page 43 'Replacing the Oven Light Bulb'.

The oven fan is noisy.

- * Check that the oven is level.
- * Check that bakeware and shelves are not vibrating in contact with the back panel in the oven.

The indicator neons are not working correctly or the function selected is not working.

- * Check that you have correctly selected only the oven function you require. Ensure all the other controls are in the OFF position.

SERVICE AND SPARE PARTS

HELP US TO HELP YOU

Please determine your type of enquiry before writing or telephoning.

SERVICE

Before calling out an Engineer, please ensure that you have read the details under the heading 'Something Not Working?' and have the model number and purchase date to hand. The model, product and serial numbers, which should be quoted in any communication can be found on the rating plate on the lower front frame of the cooker upon opening the oven door. It is advisable to make a note on the back cover of this book for easy reference. The telephone number and address for service is detailed on the list headed 'Customer Service Centres' beginning on page 46.

PLEASE NOTE that all enquiries concerning service should be addressed to your local Customer Service Centre.

CONSUMER CARE DEPARTMENT

FOR GENERAL ENQUIRIES concerning your Tricity Bendix cooker or further information on Tricity Bendix products, you are invited to contact our Consumer Care Department by letter or telephone as follows:

Consumer Care Department
PO Box 47
Newbury
Berkshire
RG14 5XL
Tel: (01635) 525542

TRICITY BENDIX SERVICE CENTRES

To contact your local Tricity Bendix Service Centre telephone 0990 929929

SCOTLAND		ORKNEY (M65)	Refrigeration Sales & Service Hatson Industrial Estate Kirkwall Orkney KW15 1RE	NORTH EAST	
ABERDEEN (M05)	8 Cornhill Arcade Cornhill Drive Aberdeen AB2 5UT	SHETLAND	George Robertson 3/4 Carlton Place Lerwick Shetland ZE1 0ED	GATESHEAD (M39)	Unit 356a Dukesway Court Dukesway Team Valley Gateshead NE11 0BH
AUCHTERMUCHY (M03)	33A Burnside Auchtermuchy Fife KY14 7AJ	(OWN SALES)		GRIMSBY (M42)	Unit 2 Cromwell Road Grimsby South Humberside DN31 2BN
ARGYLL (M67)	Briar Hill 7 Hill Street, Dunoon Argyll PA23 7AL	SHETLAND	Tait Electronic Systems Ltd. Holmsgarth Road Lerwick Shetland ZE1 0PW	HULL (M41)	Unit 1 Boulevard Industrial Estate Hull HU3 4AY
BLANTYRE (M07)	Unit 5 Block 2 Auchenraith Industrial Estate Rosendale Way Blantyre G72 0NJ	(OWN SALES)		LEEDS (M37)	64-66 Cross Gates Road Leeds LS15 7NN
DUMFRIES (M01)	93 Irish Street Dumfries Scotland DG1 2PQ	SHETLAND	Bolts Shetland Ltd 26 North Road Lerwick Shetland ZE1 0PE	NEWTON AYCLIFFE (M45)	Unit 16 Gurney Way Aycliffe Ind Estate Newton Aycliffe DL5 6UJ
DUNDEE (M70)	3-7 Blackness Street Dundee DD1 5LR	(OWN SALES)		SHEFFIELD (M38)	Pennine House Roman Ridge Ind. Roman Ridge Road Sheffield S9 1GB
DUNOON (OWN SALES)	S Gibson 96 Argyll Street Dunoon PA23 7NE	WHALSAY	Leask Electrical Harlsdale Symbister, Whalsay Shetland ZE2 9AA	NORTHERN IRELAND	
GLASGOW (M04)	20 Cunningham Road Clyde Estate Rutherglen, Glasgow, G73 1PP	(OWN SALES)		BELFAST (M27)	Owenmore House Kilwee Industrial Estate Upper Dunmury Lane Belfast BT17 0HD
INVERNESS (M06)	Unit 3B Smithton Indust. Est. Smithton Inverness IV1 2PD	WALES		CARDIFF (M28)	Guardian Industrial Estate Clydesmuir Road Tremorfa, Cardiff CF2 2QS
ISLE OF ARRAN (OWN SALES)	Arran Domestics Unit 4 The Douglas Centre Brodict Isle of Arran KA27 8AJ	CLYWD (M14)	Unit 6-7 Coed - Parc Abergele Road Rhuddian Clwyd Wales LL18 5UG	BIRKENHEAD (M11)	1 Kelvin Park Dock Road Birkenhead L41 1LT
ISLE OF ARRAN (OWN SALES)	Ronnis Hagerty Bruach Blackwaterfoot Isle of Arran	OSWESTRY (M17)	Plas Funnon Warehouse Middleton Road Oswestry SY11 2PP	CARLISLE (M10)	Unit 8 South John Street Carlisle CA2 5AJ
ISLE OF BARRA (OWN SALES)	J Zerfah 244 Bruernish Isle of Barra Western Islands HS9 5QY	NORTH WEST		ISLE OF MAN (M64)	South Quay Ind Estate Douglas Isle of Man
ISLE OF BUTE (M66)	Walker Engineering Glenmhor Upper Serpentine Road Rothesay Isle of Bute PA20 9EH	MANCHESTER		LIVERPOOL (M15)	1 Honeys Green Precinct Honeys Green Lane West Derby Liverpool L12 9JH
ISLE OF LEWIS (M69)	ND Macleod 16 James Street Stornoway Isle of Lewis PA87 2QW	PRESTON		MANCHESTER (M09)	Unit 30, Oakhill Trading Estate Devonshire Road Worsley Manchester M28 3PT
ISLE OF MULL (M68)	Brian Hogg Braeside Raeric Road Tobermory Isle of Mull PA75 6PU	STOCKPORT		PRESTON (M13)	Unit 250 Dawson Place Walton Summit Bamber Bridge Preston Lancashire PR5 8AL
KELSO (M08)	2-8 Wood Market Kelso Borders TD5 7AX	STOCKPORT		STOCKPORT (M16)	Unit 20 Haigh Park Haigh Avenue Stockport SK4 1QR

TRICITY BENDIX SERVICE CENTRES

To contact your local Tricity Bendix Service Centre telephone 0990 929929

MIDLANDS		LONDON & EAST ANGLIA		SOUTH WEST	
BIRMINGHAM (M18)	66 Birch Road East, Wyrley Road Industrial Estate Witton Birmingham B67DB	CANVEY ISLAND	2-4 Sandhurst Kings Road Canvey Island SS8 0QY	BARNSTAPLE (M30)	P.O. Box 12 Barnstaple North Devon EX31 2YB
BOURNE (M44)	Manning Road Ind Estate Pinfold Road Bourne PE10 9HT	ENFIELD (M49)	284 Alma Road Enfield London EN3 7BB	BOURNEMOUTH (M26)	63-65 Curzon Road Bournemouth Dorset BH1 4PW
GLOUCESTER (M23)	134 Eastgate Street Gloucester GL1 1QT	GRAVESEND (M57)	Unit B4, Imperial Business Estate Gravesend Kent DA11 0DL	BRIDGEWATER (M35)	6 Hamp Industrial Estate Bridgewater Somerset
HEREFORD (M31)	Unit 3 Bank Buildings Cattle Market Hereford HE4 9HX	HARPENDEN (M46)	Unit 4 Riverside Estate Coldharbour Lane Harpenden AL5 4UN	BRISTOL (M25)	11 Eldon Way Eldonwall Trading Bristol Avon BS4 3QQ
HIGHAM FERRERS (M51)	The Old Barn Westfield Terrace Higham Ferrers NN10 8BB	MAIDENHEAD (M60)	Reform Road Maidenhead Berkshire SL6 8BY	EMSWORTH (M33)	266 Main Road Southboure Emsworth PO10 8JL
ILKESTON (M43)	Unit 2 Furnace Road Ilkeston DE7 5EP	MOLESEY (M61)	10 Island Farm Avenue West Molesey Surrey KT8 2UZ	GUERNSEY	Guernsey Electricity PO Box 4 Vale, Guernsey Channel Islands
LINCOLN (M40)	Unit 8 Stonefield Park Clifton Street Lincoln LN5 8AA	IPSWICH (M48)	Unit 2B Elton Park Business Centre Hadleigh Road Ipswich IP2 0DD	ISLE OF WIGHT (M34)	Unit 8 Enterprise Court Ryde Business Park Ryde Isle of Wight PO33 1DB
NEWCASTLE UNDER LYME (M12)	18-21 Croft Road Brampton Industrial Estate Newcastle under Lyme Staffordshire ST5 0TW	NORWICH (M52)	2b Trafalgar Street Norwich NR1 3HN	JERSEY	Jersey Electricity Company PO Box 45 Queens Road St Helier Jersey Channel Islands JE4 8NY
NUNEATON (M21)	19 Ptarmigan Place Townsend Drive Nuneaton CV11 6RX	SUNBURY (M63)	Unit 1a The Summit Hanworth Road Hanworth Ind Estate Sunbury on Thames TW16 5D	NEWTON ABBOT (M29)	Unit 2 Zealley Industrial Estate Kingsteignton Newton Abbot S. Devon TQ12 3TD
NUNEATON (M22)	Unit 23-24 Alliance Business Pk Townsend Drive Nuneaton Warwickshire CV11 6RX	SYDENHAM (M62)	Unit 6 Metro Centre Kangley Bridge Road Sydenham SE26	PLYMOUTH (M32))	16 Faraday Mill Cattedown Plymouth PL4 0ST
REDDITCH (M20)	Heming Road Washford Redditch Worcestershire B98 0DH	SOUTH EAST			
TAMWORTH (M19)	Unit 3 Sterling Park Claymore Tamworth B77 5DO	ASHFORD (M58)	Unit 2 Bridge Road Business Est Bridge Road Ashford Kent TN2 1BB	REDRUTH (M36)	Unit 7D Pool Industrial Estate Wilson Way, Redruth, Cornwall TR15 3QW
		FLEET (M59)	Unit 1 Redfields Industrial Estate Church Crookham Fleet Hampshire GU13 0RD		
		HAYWARDS HEATH (M55)	21-25 Bridge Road Haywards Heath Sussex RH16 1UA		
		TONBRIDGE (M56)	Unit 30 Deacon Trading Estate Morley Road Tonbridge Kent TN9 1RA		

We, Tricity Bendix, undertake that if within 12 months of the date of the purchase this Tricity Bendix appliance or any part thereof is proved to be defective by reason only of faulty workmanship or materials, we will, at our option repair or replace the same FREE OF ANY CHARGE for labour, materials or carriage on condition that:

- The appliance has been correctly installed and used only on the electricity supply stated on the rating plate.
- The appliance has been used for normal domestic purposes only and in accordance with the manufacturers operating and maintenance instructions.
- The appliance has not been serviced, maintained, repaired, taken apart or tampered with by any person not authorised by us.
- All service work under this guarantee must be undertaken by a Tricity Bendix Service Centre or authorised agent.
- Any appliance or defective part replaced shall become the Company's property.
- This guarantee is in addition to your statutory and other legal rights.

EXCLUSIONS

This guarantee does not cover:

- Damage or calls resulting from transportation, improper use or neglect, the replacement of any light bulbs or removable parts of glass or plastic.
- Cost incurred for calls to put right an appliance which is improperly installed or calls to appliances outside the United Kingdom.
- Appliances found to be in use within a commercial environment, plus those which are subject to rental agreements.
- Products of Tricity Bendix manufacture which are not marketed by Tricity Bendix.
- EU Countries. The standard guarantee is applicable but subject to the owners responsibility and cost to ensure the appliance meets the standards set by the Country of which the product is taken. Electrolux Aftersales Service in the Country concerned, with whom Tricity Bendix have an arrangement, will be pleased to advise further.

RATING PLATE REFERENCE

MAKE AND MODEL NO.	SERIAL NO.	PRODUCT NO.	DATE OF PURCHASE

IMPORTANT NOTICE

In line with our continuing policy of research and development, we reserve the right to alter models and specifications without prior notice.

This handbook is accurate at the date of printing, but will be superseded and should be disregarded if specifications or appearance are changed.



TRICITY BENDIX, PO BOX 47, NEWBURY, BERKSHIRE, RG14 5XL
TELEPHONE (01635) 525542

MODEL NO.
BS 631/2 / BS 641



PART NO.
311240409

1997

Free Manuals Download Website

<http://myh66.com>

<http://usermanuals.us>

<http://www.somanuals.com>

<http://www.4manuals.cc>

<http://www.manual-lib.com>

<http://www.404manual.com>

<http://www.luxmanual.com>

<http://aubethermostatmanual.com>

Golf course search by state

<http://golfingnear.com>

Email search by domain

<http://emailbydomain.com>

Auto manuals search

<http://auto.somanuals.com>

TV manuals search

<http://tv.somanuals.com>