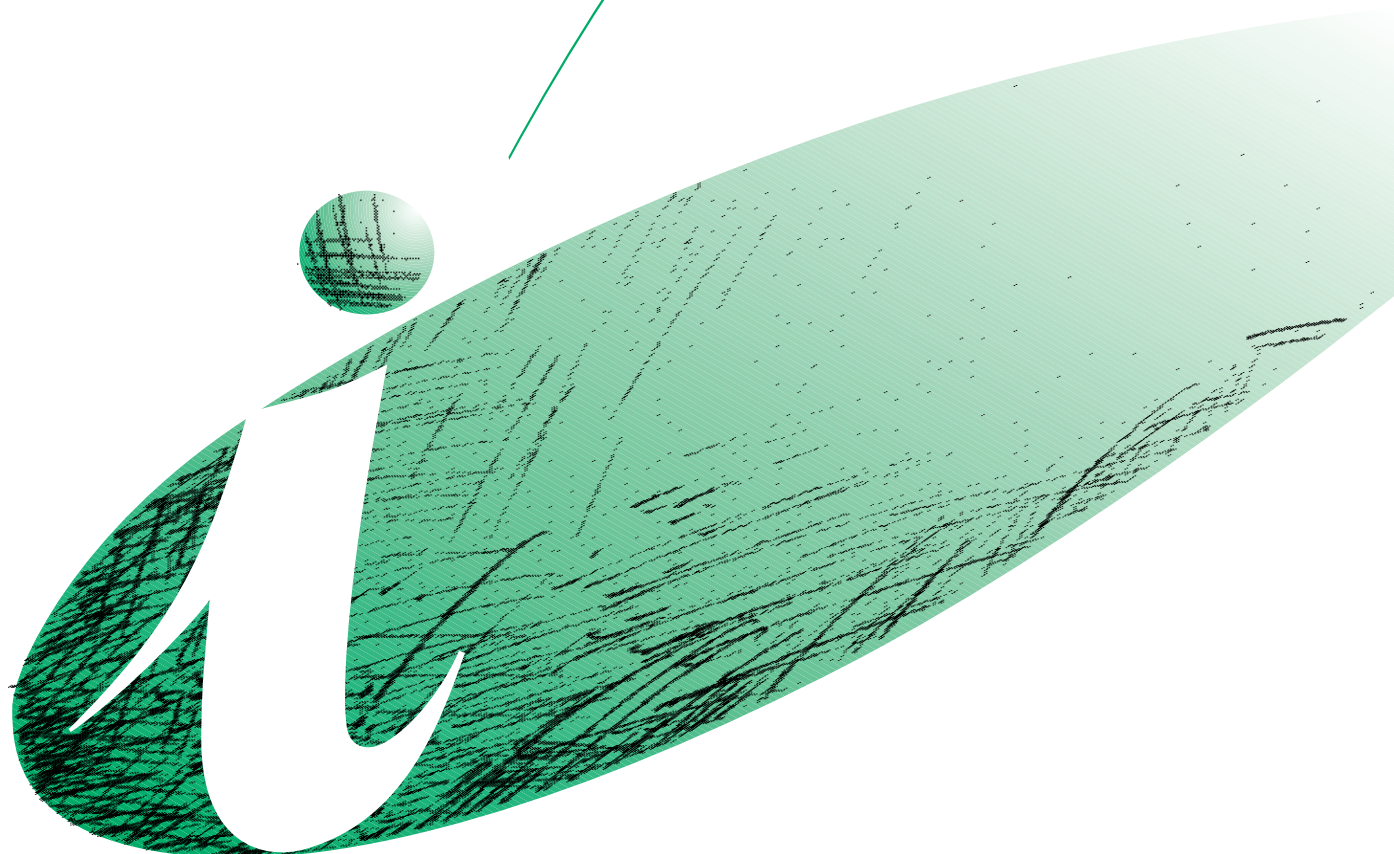


**TRICITY BENDIX**

*INSTRUCTION BOOKLET*



**BUILT-IN OVEN MODEL**

**TBS 603**

**Please read this instruction booklet before using the appliance**



# Important Safety Information



**You MUST read these warnings carefully before installing or using the oven. If you need assistance, contact our Customer Care Department on 08705 950950**

## **Installation**

- This oven must be installed by qualified personnel to the relevant British Standards.
- This oven is heavy. Take care when moving it.
- Remove all packaging, both inside and outside the oven, before using the oven.
- Do not attempt to modify the oven in any way.

## **Child Safety**

- This oven is designed to be operated by adults. Do not allow children to play near or with the oven.
- The oven gets hot when it is in use. Children should be kept away until it has cooled.

## **During Use**

- This oven is intended for domestic cooking only. It is not designed for commercial or industrial purposes.
- Never line any part of the oven with aluminium foil.
- Do not allow heatproof cooking material, e.g. roasting bags, to come into contact with oven elements.
- Never place plastic or any other material which may melt in or on the oven.
- Do not place sealed cans or aerosols inside the oven. They may explode if they are heated.
- Do not hang towels, dishcloths or clothes from the oven or its handle.
- Do not use this oven if it is in contact with water and never operate it with wet hands.
- Take great care when heating fats and oils as they will ignite if they become too hot.
- Always use oven gloves to remove and replace

food in the oven.

- Ensure that all control knobs are in the OFF position when not in use.
- Do not leave cookware containing foodstuffs, e.g. fat or oil in or on the oven in case it is inadvertently switched ON.
- When using other electrical appliances, ensure the cable does not come into contact with the hot surfaces of the oven.

## **Maintenance and Cleaning**

- Only clean this oven in accordance with the instructions.
- The oven should be kept clean at all times. A build-up of fats or other foodstuffs could result in a fire, especially in the grill pan.
- Always allow the oven to cool down and switch off the electrical supply before carrying out any cleaning or maintenance work.

## **Service**

- This oven should only be repaired or serviced by an authorised Service Engineer and only genuine approved spare parts should be used.

## **Environmental Information**

- After installation, please dispose of the packaging with due regard to safety and the environment.
- When disposing of an old appliance, make it unusable, by cutting off the cable. Remove any door catches, to prevent small children being trapped inside.

**Keep this instruction book for future reference and ensure it is passed on to any new owner.**

# Contents

## For the User

<b>Important Safety Information</b>	<b>3</b>
<b>Description of the Appliance</b>	<b>5</b>
<b>Controls</b>	<b>6</b>
<b>Before the First Use</b>	<b>7</b>
<b>Using the Oven</b>	<b>7</b>
<b>Using the Fan Oven</b>	<b>9</b>
<b>Cooking Chart</b>	<b>10</b>
<b>Defrosting</b>	<b>12</b>
<b>Grilling</b>	<b>13</b>
<b>Cleaning the Oven</b>	<b>14</b>
<b>If something goes wrong</b>	<b>17</b>
<b>Service and Spare Parts</b>	<b>18</b>
<b>Guarantee Conditions</b>	<b>18</b>

## For the Installer

<b>Technical Data</b>	<b>21</b>
<b>Electrical Connection</b>	<b>21</b>
<b>Building In</b>	<b>22</b>

## Guide to Use the instructions

The following symbols will be found in the text to guide you throughout the Instructions:



Safety Instructions



Step by step instructions for an operation



Hints and Tips



This appliance complies with the following

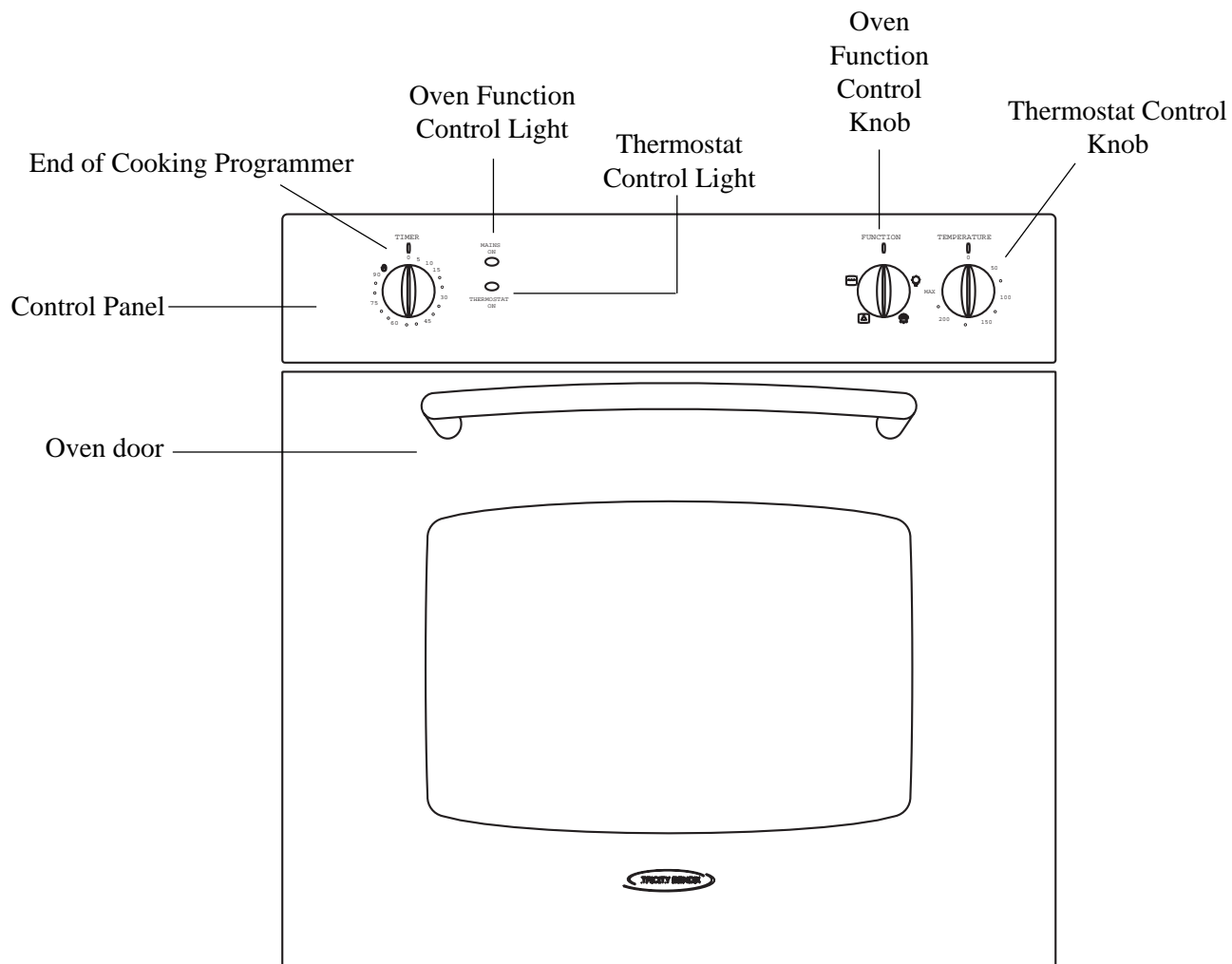
**E.E.C. Directives:**

- \* **73/23 - 90/683**  
(Low Voltage Directive);
- \* **93/68** (General Directives);
- \* **89/336** (Electromagnetical Compatibility Directive) .  
and subsequent modifications

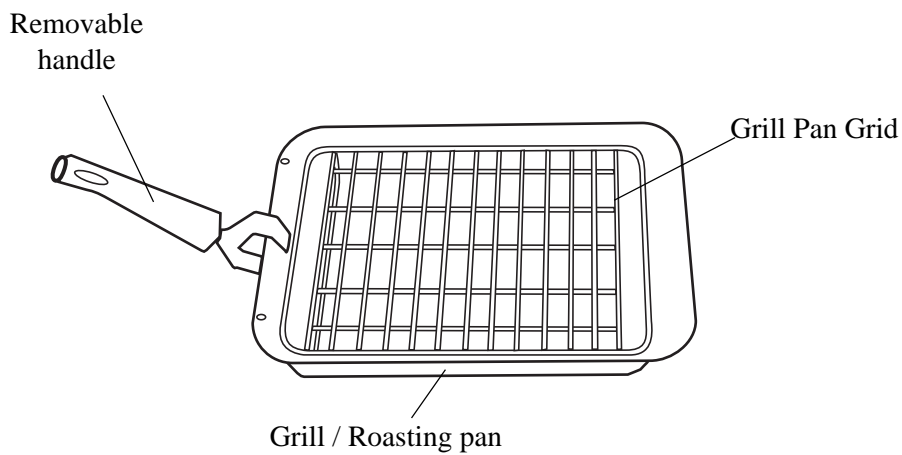
### Oven Door Protection Device

All our appliances comply with the European safety standards. Nevertheless, in order to ensure the highest safety level, and avoid small children to be exposed to the heat when the appliance is operated, it is possible to fit a special protection device to the oven door. This device can be purchased in our Service Force Centres, specifying the relevant code (35791) and the Product No. shown on the rating plate.

# Description of the Appliance







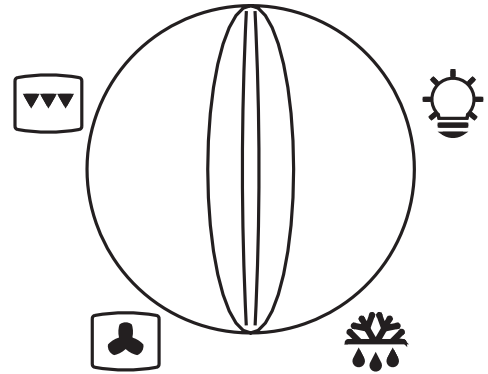
## Accessories



# Controls

## Oven Function Control Knob

-  Oven Light - The oven light will be on without any cooking function.
-  Defrost Setting - This setting is intended to assist in thawing of frozen food
-  Fan oven cooking - This allows you to roast or roast and bake simultaneously using any shelf, without flavour transference.
-  Grill - The heat comes only from the top element.

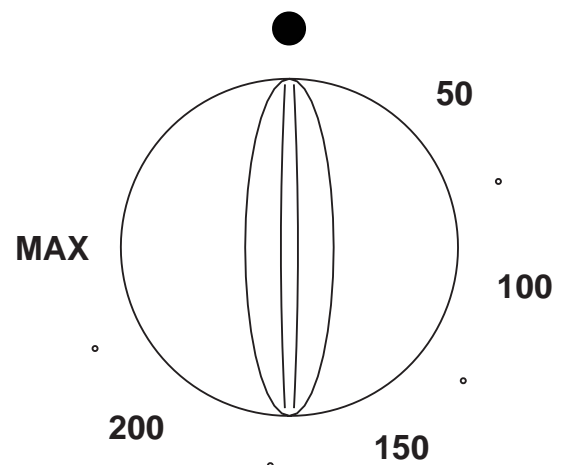


## Thermostat Control Knob

Turn the thermostat control knob clockwise to select temperatures between 50°C and 250°C (MAX).

## The Safety Thermostat

This oven is provided with a safety thermostat. In case of malfunctioning of the main thermostat, and consequent over-heating, the safety device will stop the power supply to the appliance. If this happens, call your local Service Centre. Under no circumstances should you attempt to repair the appliance yourself.




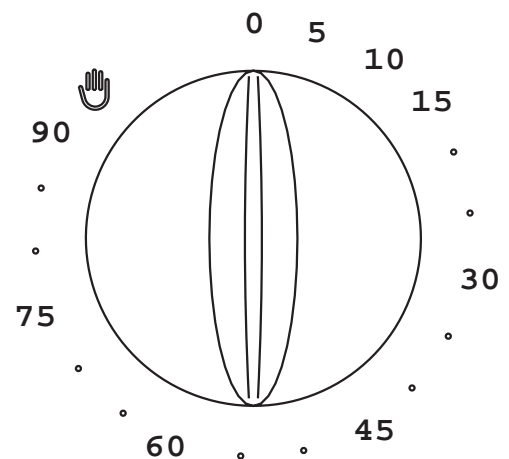
## End of Cooking programmer

The end of cooking programmer allows the oven to switch off automatically (it cannot be used as a timer only).

The cooking duration can be set up to 90 minutes maximum.

Turn the knob clockwise to 90, then turn it anticlockwise to the required cooking time. At the end of the chosen cooking time the timer clock automatically switches off the oven. At the same time an acoustic signal is emitted which stops automatically.

For manual operation the switch should be turned in an anti-clockwise direction until the symbol showing a hand  reaches the corresponding sign « ● » then choose the function required.





# Before the First Use

Remove **all packaging**, both inside and outside the oven, before using the appliance.

Before first use, the oven should be heated without food. During this time, an unpleasant odour may be emitted. This is quite normal.



1. Set the end of cooking programmer to manual function.
2. Switch the oven function control knob to fan cooking .
3. Set the thermostat control knob to MAX.
4. Open a window for ventilation.
5. Allow the oven to run empty for approximately 45 minutes.

This procedure should be repeated with the grill  function for approximately 5-10 minutes.

# Using the Oven



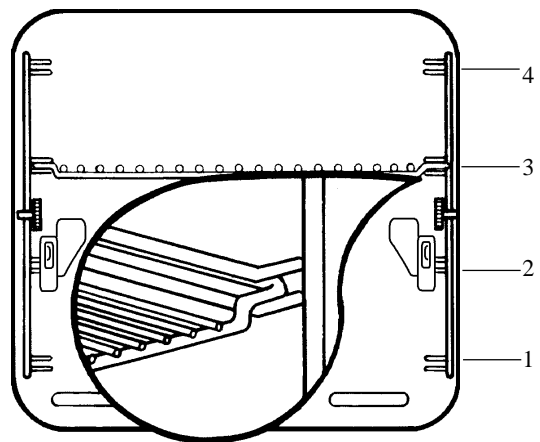
- **Always cook with the oven door closed.**
- **Stand clear when opening the drop down oven door. Do not allow it to fall open - support the door using the door handle, until it is fully open.**



- The oven has four shelf levels, and is supplied with two shelves. The shelf positions are counted from the bottom of the oven as shown in the diagram.

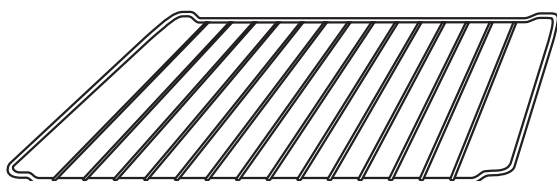
It is important that these shelves are correctly positioned as shown in the diagram. Shelf level 2 is fitted with telescopic shelf supports (see next page).

- Do not place cookware directly on the oven base.

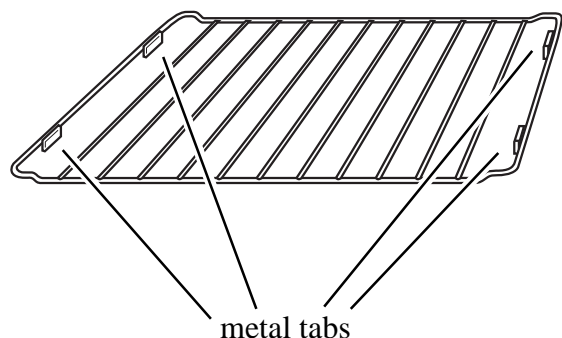


Your oven is supplied with one normal shelf for use on the telescopic shelf supports and one anti-tip shelf.

The anti-tip shelf has four small metal tabs on its frame to prevent it from sliding out from the shelf supports.



**NORMAL SHELF**




**ANTI-TIP SHELF**

metal tabs

# Telescopic shelf supports

Shelf level 2 is fitted with telescopic shelf supports.

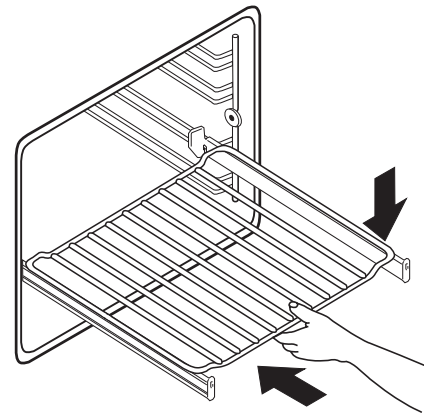
-  1. Pull the right and left hand telescopic shelf supports completely out, as shown in the diagram.
2. Place the shelf or the grill pan on the telescopic shelf supports, as shown in the diagram, then gently push them all inside the oven.



*Do not attempt to close the oven door if the telescopic shelf supports are not completely inside the oven. This could damage the door enamel and glass.*

*The anti-tip shelf is not designed for use on the telescopic shelf supports.*

*Please, do not use the anti-tip shelf on the telescopic shelf supports, as it will be unstable and may fall.*



## Hints and Tips

### Condensation and steam

When food is heated it produces steam in the same way as a boiling kettle. The oven vents allow some of this steam to escape. However, **always stand back from the oven when opening the oven door** to allow any build up of steam or heat to release.

If the steam comes into contact with a cool surface on the outside of the oven, e.g. a trim, it will condense and produce water droplets. This is quite normal and is not a fault with the oven.

To prevent discoloration, regularly wipe away condensation and also soilage from surfaces.

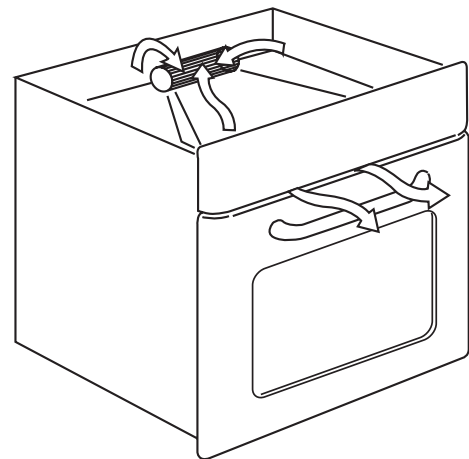
### Cooling fan

The cooling fan operates during cooking. Air is expelled through vents between the oven door and the control panel, as shown in the diagram.

The cooling fan may run on after the oven is switched off to keep the controls cool. This is quite normal.

### Cookware

- Use any oven proof cookware which will withstand temperatures of 250°C.
- Baking trays, oven dishes, etc. should not be placed directly against the grid covering the fan at the back of the oven, or placed on the oven base.
- Do not use baking trays larger than 30 cm x 35 cm (12 in x 14 in) as they will restrict the circulation of heat and may affect performance.



### The effects of dishes on cooking results

Dishes and tins vary in their thickness, conductivity, colour, etc. which affects the way they transmit heat to the food inside them.

- A** Aluminium, earthenware, oven glassware and bright shiny utensils reduce cooking and underneath browning.
- B** Enamelled cast iron, anodized aluminium, aluminium with non-stick interior and coloured exterior and dark, heavy utensils increase cooking and underneath browning.



# Using the Fan Oven

The air inside the oven is heated by the element around the fan situated behind the back panel. The fan circulates hot air to maintain an even temperature inside the oven.

## The advantages of cooking with this function are:

### ✓ Faster Preheating

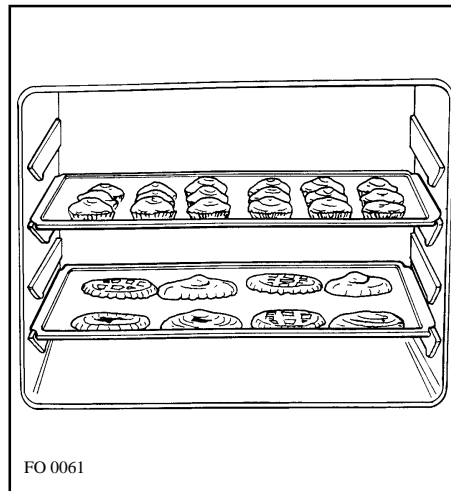
As the fan oven quickly reaches temperature, it is not usually necessary to preheat the oven although you may find that you need to allow an extra 5-7 minutes on cooking times. For recipes which require higher temperatures, best results are achieved if the oven is preheated first, e.g. bread, pastries, scones, souffles, etc.

### ✓ Lower Temperatures


Fan oven cooking generally requires lower temperatures than conventional cooking. Follow the temperatures recommended in the chart at page.10 or remember to reduce temperatures by about 20-25°C for your own recipes which use conventional cooking.

### ✓ Even Heating for Baking

The fan oven has uniform heating on all runner positions. This means that batches of the same food can be cooked in the oven at the same time. However, the top shelf may brown slightly quicker than the lower one. This is quite usual. There is no mixing of flavours between dishes.



## How to Use the Fan Oven

1. Turn the oven function control knob to .
2. Turn the thermostat control to the required temperature.

## THINGS TO NOTE

- The oven light will come on when the oven function control knob is set.
- The oven fan will operate continually during cooking.
- The thermostat control light will remain on until the correct temperature is reached. It will then cycle on and off to show the temperature is being maintained.

# Cooking Chart

This chart is intended as a guide only. It may be necessary to increase or decrease the temperature to suit your individual requirements. Only experience will enable you to determine the correct setting for your personal requirements.

Food	Shelf Position	Cooking Temp (°C)	
Biscuits	Shelf positions are not critical but ensure that oven shelves are evenly spaced when more than one is used.	180-190	
Bread		210-220	
Casseroles		130-140	
Cakes: Small and queen		160-170	
Sponges		160-170	
Madeira		140-150	
Rich Fruit		130-140	
Christmas		130-140	
Meringues		90-100	
Fish		170-190	
Fruit Pies and Crumbles		190-200	
Milk Puddings		130-140	
Pastry: Choux		}	190-200
Shortcrust			
Flaky			
Puff			
Plate Tarts		180	
Quiches/Flans		170-180	
Scones		210-220	
Roasting: Meat & Poultry		160-180	

When roasting, ensure the meat is cooked thoroughly, use a meat thermometer if preferred to check the centre temperature has reached the required temperature (see table below).

MEAT	TEMPERATURES
Beef	Rare - 60°C Medium - 70°C Well Done - 80°C
Pork	Well Done - 80°C
Lamb	Medium - 70°C Well Done - 80°C

## **i** Hints and Tips

Runner positions are not critical, but make sure the shelves are evenly spread.

When cooking more than one dish in the fan oven, place dishes centrally on the shelves rather than several dishes on one shelf.

When the oven is full, you may need to allow slightly longer cooking time.

A shelf may be placed on the floor of the oven. Place dishes on a shelf in this position rather than on the oven base, to allow air circulation around the food.

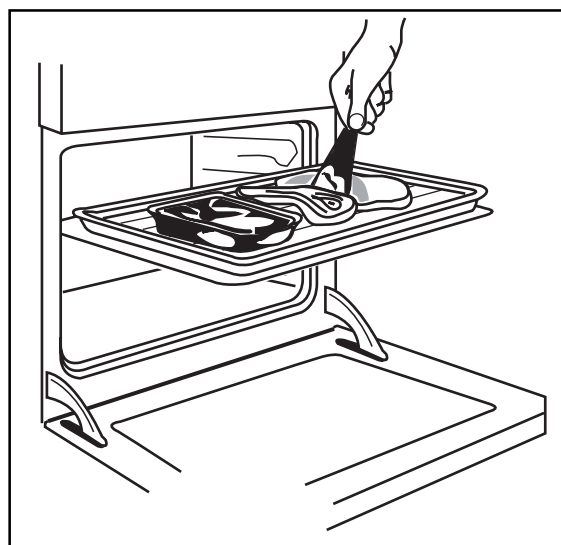
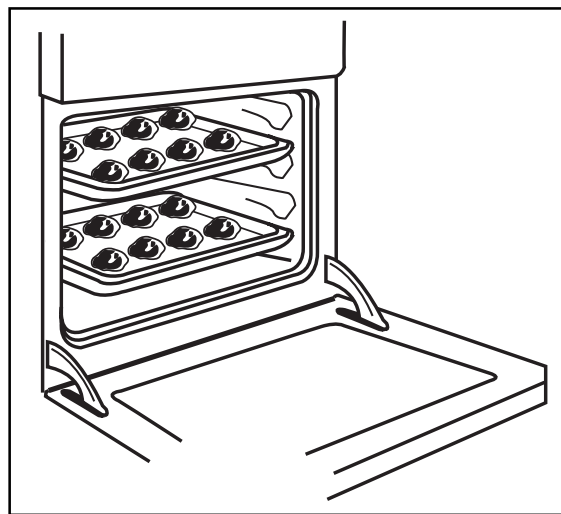
When the oven is full of the same food, e.g. equal trays of small cakes or equal size victoria sandwich cakes, then they will be cooked in the same time and removed from the oven together. When different sizes of trays or types of food, e.g. biscuits and cakes are cooked, they will not necessarily be ready together.

The fan oven can be used to heat foods through without thawing first, e.g. fruit tarts, mince pies, sausage rolls, and other small pastry items. Use a temperature of 190-200°C and allow 20-40 minutes (depending on the quantity of food in the oven).

The use of too high temperatures can cause uneven browning. Check with the recommendations for oven temperatures given in the cooking charts, but be prepared to adjust the temperature by 10°C if necessary. Remember to reduce temperatures by about 20-25°C for your own conventional recipes.

When roasting do use the trivet in the meat tin. Fat and meat juices will drain into the meat tin below and can be used to make gravy. The trivet also prevents splashes of fat from soiling the oven interior.

The meat tin **should not** be placed on a heated hotplate as this may cause the enamel to crack.




# Defrosting

The oven fan operates without heat and circulates the air, at room temperature, inside the oven. This increases the speed of defrosting. However, please note that the temperature of the kitchen will influence the speed of defrosting.

This function is particularly suitable for delicate food which could be damaged by heat, e.g. cream filled gateaux, iced cakes, pastries, bread and other yeast products.

## How to Use Defrosting

1. Turn the oven function control knob to .
2. Ensure the thermostat control knob is in the OFF position.

## Hints and Tips

- Cover food with a lid, aluminium foil or plastic film to prevent drying out during defrosting.
- **ALWAYS COOK THOROUGHLY IMMEDIATELY AFTER THAWING.**
- Frozen food should be placed in a single layer when ever possible and turned over half way through the defrosting process.
- Only joints of meat and poultry up to 2 kg. (4 lb.) are suitable for defrosting in this way.

Refer to the following table for approximate defrosting times.

Food	Defrosting time (Mins)	Standing time (Mins)	Notes
Chicken 1000 g.	100-140	20-30	Place the chicken on an inverted saucer on a large plate. Defrost open and turn at half time or defrost covered with foil. Remove giblets as soon as possible.
Meat 1000 g.	100-140	20-30	Defrost open and turn at half time or cover with foil
Meat 500 g.	90-120	20-30	As above
Trout 150 g.	23-35	10-15	Defrost open
Strawberries 300 g.	30-40	10-20	Defrost open
Butter 250 g.	30-40	10-15	Defrost open
Cream 2 x 200 g.	80-100	10-15	Defrost open (cream is easy to whip even if parts of it are still slightly frozen)
Cake 1400 g.	60	60	Defrost open


The times quoted in the chart should be used as a guide only, as the speed of defrosting will depend on the kitchen temperature. For example, the colder the ambient temperature, the longer the defrosting time.

# Grilling



Grilling must be carried out with the oven door closed. The grill pan handle must be removed from the pan.

## How to Use the Grill

1. Turn the oven control function knob on .
2. Turn the thermostat control knob on the required temperature.
3. Adjust the grid and grill pan runner position to allow for different thicknesses of food. Position the food close to the element for faster cooking and further away for more gentle cooking.

Preheat the grill on a full setting for a few minutes before sealing steaks or toasting. Adjust the heat setting and the shelf as necessary, during cooking.

During cooking, the cooling fan and the thermostat control light will operate in the same way as described for the fan oven function.

## Hints and Tips

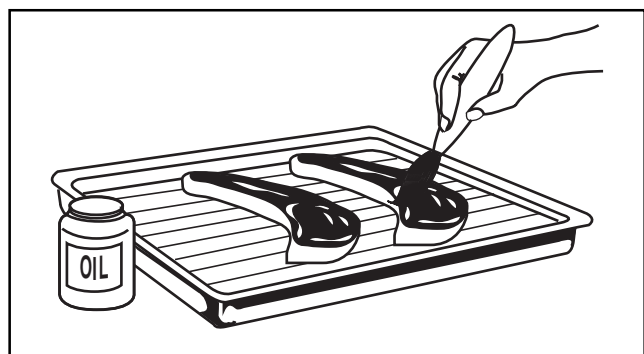
- Most foods should be placed on the grid in the grill pan to allow maximum circulation of air to lift the food out of the fats and juices. Food such as fish, liver and kidneys may be placed directly on the grill pan, if preferred
- Food should be thoroughly dried before grilling to minimise splashing. Brush lean meats and fish lightly with a little oil or melted butter to keep them moist during cooking
- Accompaniments such as tomatoes and mushrooms may be placed underneath the grid when grilling meats
- When toasting bread, we suggest that the top runner position is used with the grid in its 'high' position
- The food should be turned over during cooking, as required.

The grill element is controlled by the thermostat. During cooking, the grill cycles on and off to prevent overheating.

## COOKING CHART

Cooking time depends on the thickness of the meat and not on its weight.

Type of food	Mins per side
Bacon rashers	2 - 5
Chicken joints	15 - 20
Gammon rashers	5 - 8
Lamb chops	6 - 12
Pork chops	10 - 15
Sausages (turning as required)	10 - 12
Steaks (average thickness)	Rare 3 - 6
	Medium 6 - 10
	Well done 8 - 12
Toast	1 - 1½



# Cleaning the Oven



Before cleaning always allow the cooling fan to cool the cooker down before switching off at the electricity supply.

The oven should be kept clean at all times. A build-up of fats or other foodstuffs could result in a fire, especially in the grill pan.

## Cleaning materials

Before using any cleaning materials on your oven, check that they are suitable and that their use is recommended by the manufacturer.

Cleaners that contain bleach should NOT be used as they may dull the surface finishes. Harsh abrasives should also be avoided.

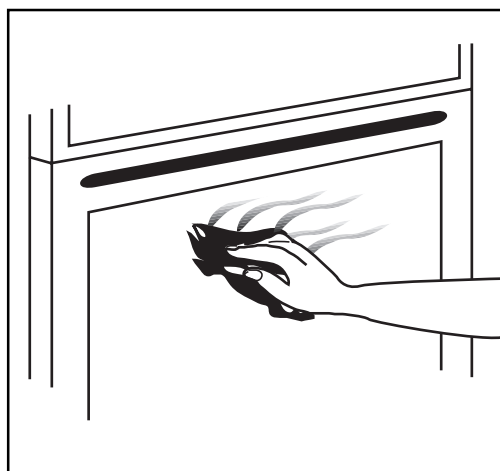
## External cleaning

Regularly wipe over the control panel, oven door and door seal using a soft cloth well wrung out in warm water to which a little liquid detergent has been added.



To prevent damaging or weakening the door glass panels avoid the use of the following:

- Household detergent and bleaches
- Impegnated pads unsuitable for non-stick saucepans
- Brillo/Ajax pads or steel wool pads
- Chemical oven pads or aerosols
- Rust removers
- Bath/Sink stain removers



Clean the outer and inner door glass using warm soapy water. Should the inner door glass become heavily soiled it is recommended that a cleaning product such as Hob Brite is used.



DO NOT clean the oven door while the glass panels are warm. If this precaution is not observed the glass panel may shatter.


If the door glass panel becomes chipped or has deep scratches, the glass will be weakened and must be replaced to prevent the possibility of the panel shattering. Contact your local Service Centre who will be pleased to advise further.

## Oven Cavity

The enamelled oven cavity is best cleaned whilst the oven is still warm.

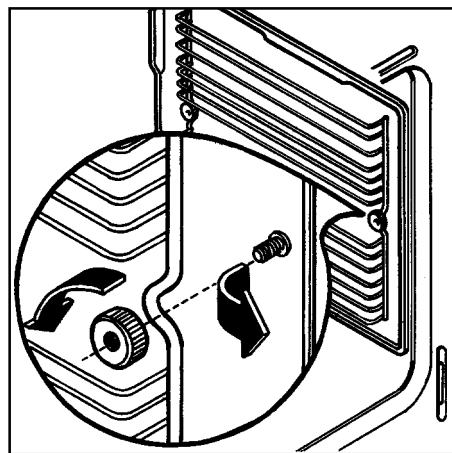
Wipe the oven over with a soft cloth soaked in warm soapy water after each use. From time to time it will be necessary to do a more thorough cleaning, using a proprietary oven cleaner.

If the soilage has become set, after the oven has cooled down, the following process will help to soften the splatters to help make cleaning easier.

1. Place the grill/ meat pan on the oven shelf positioned in the lowest runner.
2. Add a few drops of washing-up liquid to the pan and fill to about 12 mm. with boiling water from the kettle.
3. Close the oven door, turn the oven function knob on fan oven  and set the thermostat knob on 50°C.
4. After 15 minutes, turn off the thermostat and allow the fan oven to continue without heat for a further 5 minutes, when the temperature of the water will have cooled down.
5. Carefully remove the pan of water from the oven and use normal oven cleaners to clean away soil residues.
6. Leave a little of soapy water to soak into any burned on spillage on the floor of the oven for a longer time if necessary.

## Oven Shelves

To clean the oven shelves, soak in warm soapy water and remove stubborn marks with a well wetted soap impregnated pad. Rinse well and dry with a soft cloth. The shelf supports can be removed for easy cleaning (see diagram). Please, ensure the retaining nuts are secure when refitting the shelf support.

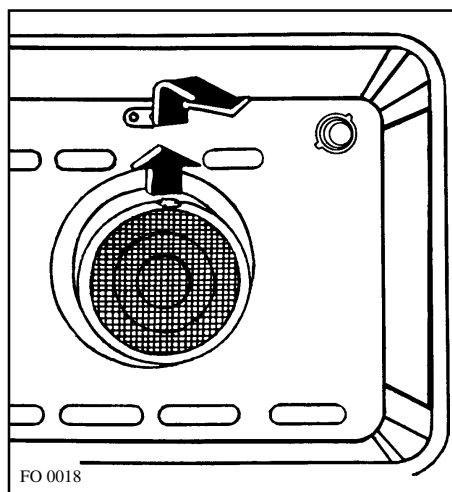


## Grease Filter

To prevent a build-up of fats on the fan impellor, the grease filter must be fitted by clipping it over the vents in the back panel. Do not use abrasive materials to clean the seal. The grease filter is dishwasher proof.

### To clean the grease filter

When cooking is completed and the oven has cooled down, remove the filter by pushing the protruding tongue on the filter upward, and wash carefully. Remember to refit the filter before using the oven again.



## Replacing The Oven Light

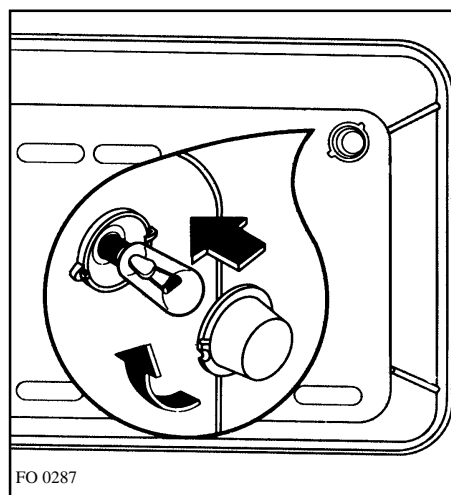
If the oven bulb needs replacing, it must comply with the following specifications:

- Electric power: 15W,
- Electric rate: 230-240 V (50 Hz),
- Resistant to temperatures of 300°C,
- Connection type: E14.

These bulbs are available from your local Force Service Centre.

To replace the faulty bulb:

1. Ensure the oven is isolated from the electrical supply.
2. Push in and turn the glass cover anticlockwise.
3. Remove the faulty bulb and replace with the new one.
4. Refit the glass cover.
5. Restore the electrical supply.





# If something goes wrong

If the appliance is not working correctly, please carry out the following checks, before contacting your local Tricity Bendix Service Force Centre.

**IMPORTANT:** If you call out an engineer to a fault listed below, or to repair a fault caused by incorrect use or installation, a charge will be made even if the appliance is under guarantee.

SYMPTOM	SOLUTION
<ul style="list-style-type: none"> <li>■ The oven does not come on</li> </ul>	<ul style="list-style-type: none"> <li>◆ Check the oven is in manual operation and that both a cooking function and temperature have been selected.</li> <li>◆ Check the appliance is wired in properly, and the socket switch or the switch from the mains supply to the oven are ON.</li> </ul>
<ul style="list-style-type: none"> <li>■ The oven temperature light does not come on</li> </ul>	<ul style="list-style-type: none"> <li>◆ Select a temperature with the thermostat control knob</li> <li>◆ Select a function with the oven function control knob.</li> </ul>
<ul style="list-style-type: none"> <li>■ The oven light does not come on</li> </ul>	<ul style="list-style-type: none"> <li>◆ Select a function with the oven function control knob</li> <li>◆ Check the light bulb, and replace it if necessary (see "Cleaning the Oven")</li> </ul>
<ul style="list-style-type: none"> <li>■ It takes too much time to finish the dishes, or they are cooked too fast.</li> </ul>	<ul style="list-style-type: none"> <li>◆ The temperature may need adjusting</li> <li>◆ Refer to the contents of this booklet, especially to the chapter "Using the Oven".</li> </ul>
<ul style="list-style-type: none"> <li>■ Steam and condensation settle on the food and the oven cavity.</li> </ul>	<ul style="list-style-type: none"> <li>◆ Leave dishes inside the oven no longer than 15-20 minutes after the cooking is completed.</li> </ul>
<ul style="list-style-type: none"> <li>■ The programmer does not work</li> </ul>	<ul style="list-style-type: none"> <li>◆ Check the instructions for the programmer.</li> </ul>
<ul style="list-style-type: none"> <li>■ The oven fan is noisy</li> </ul>	<ul style="list-style-type: none"> <li>◆ Check the grease filter is correctly fitted.</li> <li>◆ Check that shelves and bakeware are not vibrating in contact with the oven back panel.</li> </ul>

If after all these checks, the oven still does not work, contact your local Service Force Centre quoting your model and serial number, which can be found on the rating plate.

Please note that it will be necessary to provide proof of purchase for any in-guarantee service calls.

**In-guarantee customers should ensure that the above checks have been made as the engineer will make a charge if the fault is not a mechanical or electrical breakdown.**

When you contact the Service Centre, they will need the following information:

1. Your name, address and post code.
2. Your telephone number
3. Clear and concise details of the fault
4. The model and the serial number (see rating label)
5. Date of purchase

# Service and Spare Parts

If you require spare parts or an engineer contact your local Service Force Centre by telephoning:

**08705 929929**

Your call will be routed to the Service Centre covering your post code area. The addresses of Tricity Bendix Service Force Centres are detailed on the following pages.

## **TRICITY BENDIX STANDARD GUARANTEE CONDITIONS**

We, Tricity Bendix, undertake that if, within 12 months of the date of the purchase, this Tricity Bendix appliance or any part thereof is proved to be defective by any reason only of faulty workmanship or materials, we will, at our option, repair or replace the same **FREE OF ANY CHARGE** for labour, materials or carriage on condition that:

- \* The appliance has been correctly installed and used only on the gas and electricity supply stated on the rating plate.
- \* The appliance has been used for normal domestic purposes only, and in accordance with the manufacturer's instructions.
- \* The appliance has not been serviced, maintained, repaired, taken apart or tampered with by any person not authorised by us.
- \* All service work under this guarantee must be undertaken by a Tricity Bendix Service Force Centre.
- \* Any appliance or defective part replaced shall become the Company's property.
- \* This guarantee is in addition to your statutory and other legal rights.

Home visits are made between **8.30am and 5.30pm** Monday to Friday. Visits may be available outside these hours, in which case a **premium** will be charged.

## **Exclusions**

### **This guarantee does not cover:**

- \* Damage or calls resulting from transportation, improper use or neglect, the replacement of any light bulbs or removable parts of glass or plastic.
- \* Costs incurred for calls to put right an appliance which is improperly installed or calls to appliance outside the United Kingdom.

## **CUSTOMER CARE**

For general enquiries concerning your Tricity Bendix appliance and for further information on Tricity Bendix products, contact our Customer Care Department by letter or telephone as follows:

### **Customer Care Department**

Tricity Bendix  
55-77 High Street  
Slough  
Berkshire SL1 1DZ  
Tel : 08705 950950

- \* Appliances found to be in use within a commercial or similar environment, plus those which are the subject to rental agreements.
- \* Products of Tricity Bendix manufacture which are not marketed by Tricity Bendix.

## **European Guarantee**

If you should move to another country within Europe then your guarantee moves with you to your new home subject to the following qualifications:

- \* The guarantee starts from the date you first purchased your product.
- \* The guarantee is for the same period and to the same extent for labour and parts as exist in the new country of use for this brand or range of products.
- \* This guarantee relates to you and cannot be transferred to another user.
- \* Your new home is within the European Community (EC) or European Free Trade Area.
- \* The product is installed and used in accordance with our instructions and is only used domestically, i.e. a normal household. The electrical supply complies with the specification given in the rating label.
- \* The product is installed taking into account regulations in your new country.

Before you move, please contact your nearest Customer Care centre, listed below, to give them details of your new home. They will then ensure that the local Service Organisation is aware of your move and able to look after you and your appliances.

France	Senlis	+33 (0)3 44 62 22 22
Germany	Nürnberg	+49 (0)911 323 2600
Italy	Pordenone	+39 (0)1678 47053
Sweden	Stockholm	+46 (0)20 78 77 50
UK	Slough	+44 (0)1753 219898

To contact your local Tricity Bendix Service Force Centre telephone 08705 929 929

### CHANNEL ISLANDS

GUERNSEY Guernsey Electricity  
PO Box 4  
Vale, Guernsey  
Channel Islands

JERSEY Jersey Electricity  
Company  
PO Box 45  
Queens Road  
St Helier  
Jersey  
Channel Islands  
JE4 8NY

### SCOTLAND

ABERDEEN 8 Cornhill Arcade  
(M05) Cornhill Drive  
Aberdeen  
AB2 5UT

AUCHTERMUCHY 33A Burnside  
(M03) Auchtermuchy  
Fife  
KY14 7AJ

BLANTYRE Unit 5  
(M07) Block 2  
Auchenraith Industrial  
Estate  
Rosendale Way  
Blantyre  
G72 0NJ

DUMFRIES 93 Irish Street  
(M01) Dumfries  
Scotland  
DG1 2PQ

DUNOON Briar Hill  
(M 67) 7 Hill Street  
Dunoon  
Argyll  
PA23 7AL

GLASGOW 20 Cunningham Road  
(M04) Clyde Estate  
Rutherglen,  
Glasgow,  
G73 1PP

INVERNESS Unit 3B  
(M06) Smithton Indust. Est.  
Smithton  
Inverness  
IV1 2PD

ISLE OF ARRAN Arran Domestics  
(OWN SALES) Unit 4 The Douglas  
Centre  
Brodick  
Isle of Arran  
KA27 8AJ

ISLE OF BARRA J Zerfah  
(OWN SALES) 244 Bruernish  
Isle of Barra  
Western Islands  
HS9 5QY

ISLE OF BUTE Walker Engineering  
(M66) Glenmhor  
Upper Serpentine Road  
Rothesay  
Isle of Bute  
PA20 9EH

ISLE OF LEWIS ND Macleod  
(M69) 16 James Street  
Stornoway  
Isle of Lewis  
PA872QW

KELSO 2-8 Wood Market  
(M08) Kelso  
Borders TD5 7AX

ORKNEY Corsie Domestics  
(M65) 7 King Street  
Kirkwall  
Orkney KW15 1RE

PERTH Hydro Electrical  
Inveralmond House  
Ruthervenfield Road  
Perth PH1 3AQ

PERTH Graham Begg Unit 4  
(OWN SALES) Airport Ind Estate  
Wick KW1 4QS

SHETLAND Tait Electronic Systems  
Ltd.  
Holmsgarth Road  
Lerwick  
Shetland ZE1 0PW

SHETLAND Bolts Shetland Ltd  
(OWN SALES) 26 North Road  
Lerwick  
Shetland ZE1 0PE

WHALSAY Leask Electrical  
(OWN SALES) Harlsdale  
Symbister, Whalsay  
Shetland ZE2 9AA

### NORTHERN IRELAND

BELFAST Owenmore House  
(M27) Kilwee Industrial Estate  
Upper Dunmury Lane  
Belfast  
BT17 0HD

### WALES

CARDIFF Guardian Industrial  
(M28) Estate  
Clydesmuir Road  
Tremorfa, Cardiff  
CF2 2QS

CLYWD Unit 6-7 Coed - Parc  
(M14) Abergele Road  
Rhuddlan  
Clwyd  
Wales  
LL18 5UG

OSWESTRY Plas Funnon Warehouse  
(M17) Middleton Road  
Oswestry  
SY11 2PP

HAVERFORDWEST Ark Appliances  
(M75) Cromlech Lodge  
Ambleton  
Haverfordwest  
Pembrokeshire  
SA62 5DS

DYFED West Wales Appliances  
(M77) Service  
Maes Y Coed  
High Mead  
Llanybydder  
Carmarthenshire  
SA40 9UL

### NORTH EAST

GATESHEAD Unit 356a  
(M39) Dukesway Court  
Dukesway  
Team Valley  
Gateshead  
NE11 0BH

GRIMSBY Unit 2  
(M42) Cromwell Road  
Grimsby  
South Humberside  
DN31 2BN

HULL Unit 1  
(M41) Boulevard Industrial  
Estate  
Hull  
HU3 4AY

LEEDS 64-66 Cross Gates Road  
(M37) Leeds  
LS15 7NN

NEWTON AYCLIFFE Unit 16  
(M45) Gurney Way  
Aycliffe Ind Estate  
Newton Aycliffe  
DL5 6UJ

SHEFFIELD Pennine House  
(M38) Roman Ridge Ind.  
Roman Ridge Road  
Sheffield  
S9 1GB

### NORTH WEST

BIRKENHEAD 1 Kelvin Park  
(M11) Dock Road  
Birkenhead  
L41 1LT

CARLISLE Unit 8  
(M10) South John Street  
Carlisle  
CA2 5AJ

ISLE OF MAN South Quay Ind Estate  
(M64) Douglas  
Isle of Man

LIVERPOOL Unit 1  
(M15) Honeys Green Precinct  
Honeys Green Lane  
Liverpool  
L12 9JH

MANCHESTER Unit 30  
(M09) Oakhill Trading  
Estate  
Devonshire Road  
Worsley  
Manchester  
M28 3PT

PRESTON Unit 250  
(M13) Dawson Place  
Walton Summit  
Bamber Bridge  
Preston  
Lancashire  
PR5 8AL

STOCKPORT Unit 20 Haigh Park  
(M16) Haigh Avenue  
Stockport  
SK4 1QR

To contact your local Tricity Bendix Service Force Centre telephone 08705 929 929

## MIDLANDS

BIRMINGHAM (M18)	66 Birch Road East, Wyrley Road Industrial Estate Witton Birmingham B67DB
BOURNE (M44)	Manning Road Ind Estate Pinfold Road Bourne PE10 9HT
BRIDGNORTH (M72)	1 Underhill Street Bridgnorth Salop WV16 4BB
GLOUCESTER (M23)	101 Rycroft Street Gloucester GL1 4NB
HEREFORD (M31)	Unit 3 Bank Buildings Cattle Market Hereford HE4 9HX
HIGHAM FERRERS (M51)	The Old Barn Westfield Terrace Higham Ferrers NN10 8BB
ILKESTON (M43)	Unit 2 Furnace Road Ilkeston DE7 5EP
LEICESTER (M22)	Unit 7 Oaks Industrial Estate Coventry Road Narborough Leicestershire LE0 5GF
LINCOLN (M40)	Unit 8 Stonefield Park Clifton Street Lincoln LN5 8AA
NEWCASTLE UNDER LYME (M12)	18-21 Croft Road Brampton Industrial Estate Newcastle under Lyme Staffordshire ST5 0TW
NUNEATON (M21)	19 Ptarmigan Place Townsend Drive Nuneaton CV11 6RX
REDDITCH (M20)	Heming Road Washford Redditch Worcestershire B98 0DH
TAMWORTH (M19)	Unit 3 Sterling Park Claymore Tamworth B77 5DO
WORCESTER (M73)	Unit 1 Northbrook Close Gregorys Mill Ind Estate Worcester WR3 8BP

## LONDON &amp; EAST ANGLIA

BECKENHAM (M79)	11a Gardener Ind Estate Kent House Lane Beckenham Kent BR3 1QZ
CHELMSFORD (M47)	Hanbury Road Widford Ind Estate Chelmsford Essex CM12 3AE
COLINDALE (M53)	Unit 14 Capital Park Capital Way Colindale London NW9 0EQ
ELTHAM (M78)	194 Court Road Mottingham - Eltham London SE9 4EW
ENFIELD (M49)	284 Alma Road Enfield London EN3 7BB
GRAVESEND (M57)	Unit B4, Imperial Business Estate Gravesend Kent DA11 0DL
HARPENDEN (M46)	Unit 4 Riverside Estate Coldharbour Lane Harpenden AL5 4UN
LETCHWORTH (M50)	16-17 Woodside Ind Est. Works Road Letchworth Herts SG6 1LA
LONDON (M76)	2/4 Royal Lane Yiewsley West Drayton Middlesex UB7 8DL
MAIDENHEAD (M60)	Reform Road Maidenhead - Berkshire SL6 8BY
MOLESEY (M61)	10 Island Farm Avenue West Molesey Surrey KT8 2UZ
NEWBURY (M24)	PO BOX 5672 Newbury Berkshire RG14 5GF
IPSWICH (M48)	Unit 2B Elton Park Business Centre Hadleigh Road Ipswich IP2 0DD
NORWICH (M52)	2b Trafalgar Street Norwich NR1 3HN
SUNBURY (M63)	Unit 1a The Summit Hanworth Road Hanworth Ind Estate Sunbury on Thames TW16 5D

## SOUTH EAST

ASHFORD (M58)	Unit 2 Bridge Road Business Estate Bridge Road Ashford Kent TN2 1BB
FLEET (M59)	Unit 1 Redfields Industrial Estate Church Crookham Fleet Hampshire GU13 0RD
HAYWARDS HEATH (M55)	21-25 Bridge Road Haywards Heath Sussex RH16 1UA

## SOUTH WEST

BARNSTAPLE (M30)	P.O. Box 12 Barnstaple North Devon EX31 2YB
BOURNEMOUTH (M26)	63-65 Curzon Road Bournemouth Dorset BH1 4PW
BRIDGEWATER (M35)	6 Hamp Industrial Estate Bridgewater Somerset
BRISTOL (M25)	11 Eldon Way Eldonwall Trading Bristol Avon BS4 3QQ
EMSWORTH (M33)	266 Main Road Southboure Emsworth PO10 8JL
ISLE OF WIGHT (M34)	Unit 8 Enterprise Court Ryde Business Park Ryde Isle of Wight PO33 1DB
NEWTON ABBOT (M29)	Unit 2 Zealley Industrial Estate Kingsteignton Newton Abbot S. Devon TQ12 3TD
PLYMOUTH (M32)	16 Faraday Mill Cattledown Plymouth PL4 0ST
REDRUTH (M36)	Unit 7D Pool Industrial Estate Wilson Way, Redruth, Cornwall TR15 3QW

# Technical Data

<b>DIMENSIONS OF RECESS</b>	Height	580 mm.
	Width	560-570 mm.
	Depth	550 mm.


<b>DIMENSIONS OF THE OVEN CAVITY</b>	Height	320 mm.
	Width	420 mm.
	Depth	390 mm.
	Oven capacity	53.2 litres

<b>Heating element ratings</b>	
Circular heating element	2.08 kW
Grill element	1.82 kW
Oven Light	15 W
Cooling Fan	25 W
Convection Fan	30 W
<b>Total Rating</b>	<b>2.16 kW</b>

## Electrical Connection

The oven is designed to be connected to 230-240V (50Hz) electricity supply.

The oven has an easily accessible terminal block which is marked as follows:

- Letter L - Live terminal  
 Letter N - Neutral terminal  
 or E - Earth terminal



**THIS OVEN MUST BE EARTHED**

The cable used to connect the oven to the electrical supply must comply to the specifications given below.

### For Uk use only

Connection via	Min. size Cable/flex	Cable / flex type	Fuse
<ul style="list-style-type: none"> <li>13 A socket outlet</li> <li>13 A spur box</li> </ul>	2.5 mm <sup>2</sup>	3 core butyl insulated	13 A min.
<ul style="list-style-type: none"> <li>Cooker Control Circuit</li> </ul>	2.5 mm <sup>2</sup>	PVC/PVC twin and earth	13 A

### For Europe use only

Min. size Cable/flex	Cable / flex type	Fuse
1.5 mm <sup>2</sup>	H05 RR-F	13 A

It is necessary that you install a double pole switch between the oven and the electricity supply (mains), with a minimum gap of 3mm between the switch contacts and of a type suitable for the required load in compliance with the current rules.

The switch must not break the yellow and green earth cable at any point.

### Important

After installation and connecting, the cable must be placed so that it cannot at any point reach a temperature of more than 60°C above the ambient temperature.

Before the oven is connected, check that the main fuse and the domestic installation can support the load; and that the power supply is properly earthed.

**The manufacturer disclaims any responsibility should these safety measures not be carried out.**

# Building In

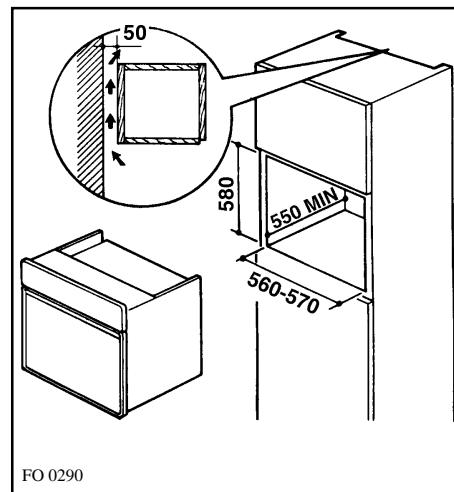
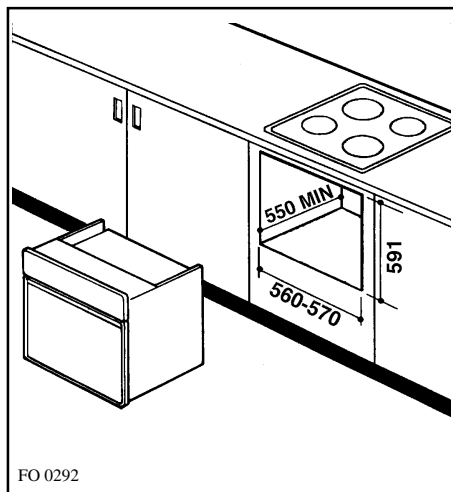
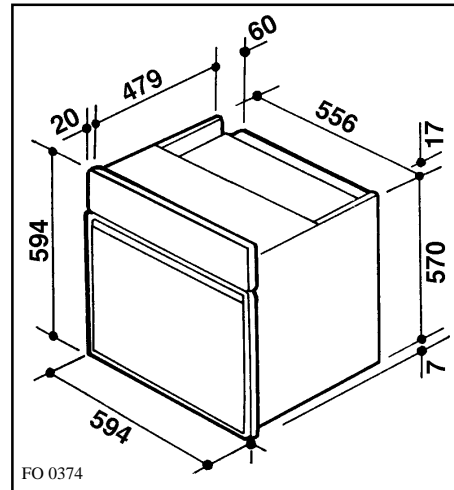
Please ensure that when the oven is installed it is easily accessible for the engineer in the event of a breakdown.

## BUILDING IN

The surround or cabinet into which the oven will be built must comply with these specifications:

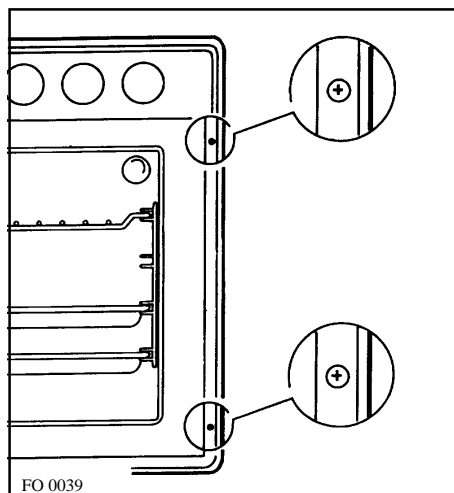
- the dimensions must be as shown in the relevant diagrams;
- the materials must withstand a temperature increase of at least 60°C above ambient;
- proper arrangements must be made of a continuous supply of air to the oven to prevent the oven overheating.

Dimensions of the oven and recess required are given in the relevant diagrams.



## Securing The Oven To The Cabinet

1. Fit the oven into the cabinet recess,
2. Open the oven door
3. Secure the oven to the kitchen cabinet with four wood screws, which fit the holes provided in the oven frame.



## Free Manuals Download Website

<http://myh66.com>

<http://usermanuals.us>

<http://www.somanuals.com>

<http://www.4manuals.cc>

<http://www.manual-lib.com>

<http://www.404manual.com>

<http://www.luxmanual.com>

<http://aubethermostatmanual.com>

Golf course search by state

<http://golfingnear.com>

Email search by domain

<http://emailbydomain.com>

Auto manuals search

<http://auto.somanuals.com>

TV manuals search

<http://tv.somanuals.com>