

TRICITY BENDIX

INSTRUCTION BOOKLET **GB**

1

ELECTRIC OVEN

TBS 613

Please read this instruction booklet before using the appliance



Important Safety Information



You **MUST** read these warnings carefully before installing or using the oven. If you need assistance, contact our Customer Care Department on 08705 950950

Installation

- This oven must be installed by qualified personnel to the relevant British Standards.
- This oven is heavy. Take care when moving it.
- Remove all packaging, both inside and outside the oven, before using the oven.
- Do not attempt to modify the oven in any way.

Child Safety

- This oven is designed to be operated by adults. Do not allow children to play near or with the oven.
- The oven gets hot when it is in use. Children should be kept away until it has cooled.

During Use

- This oven is intended for domestic cooking only. It is not designed for commercial or industrial purposes.
- Never line any part of the oven with aluminium foil.
- Do not allow heatproof cooking material, e.g. roasting bags, to come into contact with oven elements.
- Never place plastic or any other material which may melt in or on the oven.
- Do not place sealed cans or aerosols inside the oven. They may explode if they are heated.
- Do not hang towels, dishcloths or clothes from the oven or its handle.
- Do not use this oven if it is in contact with water and never operate it with wet hands.
- Take great care when heating fats and oils as they will ignite if they become too hot.
- Always use oven gloves to remove and replace food in the oven.
- Ensure that all control knobs are in the OFF position when not in use.
- Do not leave cookware containing foodstuffs, e.g. fat or oil in or on the oven in case it is inadvertently switched ON.
- When using other electrical appliances, ensure the cable does not come into contact with the hot surfaces of the oven.

Maintenance and Cleaning

- Only clean this oven in accordance with the instructions.
- The oven should be kept clean at all times. A build-up of fats or other foodstuffs could result in a fire, especially in the grill pan.
- Always allow the oven to cool down and switch off the electrical supply before carrying out any cleaning or maintenance work.

Service

- This oven should only be repaired or serviced by an authorised Service Engineer and only genuine approved spare parts should be used.

Environmental Information

- After installation, please dispose of the packaging with due regard to safety and the environment.
- When disposing of an old appliance, make it unusable, by cutting off the cable. Remove any door catches, to prevent small children being trapped inside.

Keep this instruction book for future reference and ensure it is passed on to any new owner.

Contents

For the User

| | |
|-------------------------------|----|
| Important Safety Information | 2 |
| Guide to Use the instructions | 3 |
| Description of the Appliance | 4 |
| Controls | 5 |
| Using the Oven | 6 |
| Hints and Tips | 6 |
| Before the First Use | 6 |
| Using the Fan Oven | 7 |
| Cooking Chart | 8 |
| Defrosting | 9 |
| Grilling | 10 |
| Cleaning the Oven | 11 |
| Something not working | 12 |
| Service and Spare Parts | 13 |
| Guarantee Conditions | 13 |

For the Installer

| | |
|-----------------------|----|
| Technical Data | 16 |
| Electrical Connection | 16 |
| Building In | 17 |

Oven Door Protection Device


(stainless steel models only)


All our appliances comply with the European safety standards. Nevertheless, in order to ensure the highest safety level, and avoid small children to be exposed to the heat when the appliance is operated, it is possible to fit a special protection device to the oven door. This device can be purchased in our Service Force Centres, specifying the relevant code (35791) and the Product No. shown on the rating plate.


Guide to Use the instructions


The following symbols will be found in the text to guide you throughout the Instructions:

 Safety Instructions

 Step by step instructions for an operation

 Hints and Tips

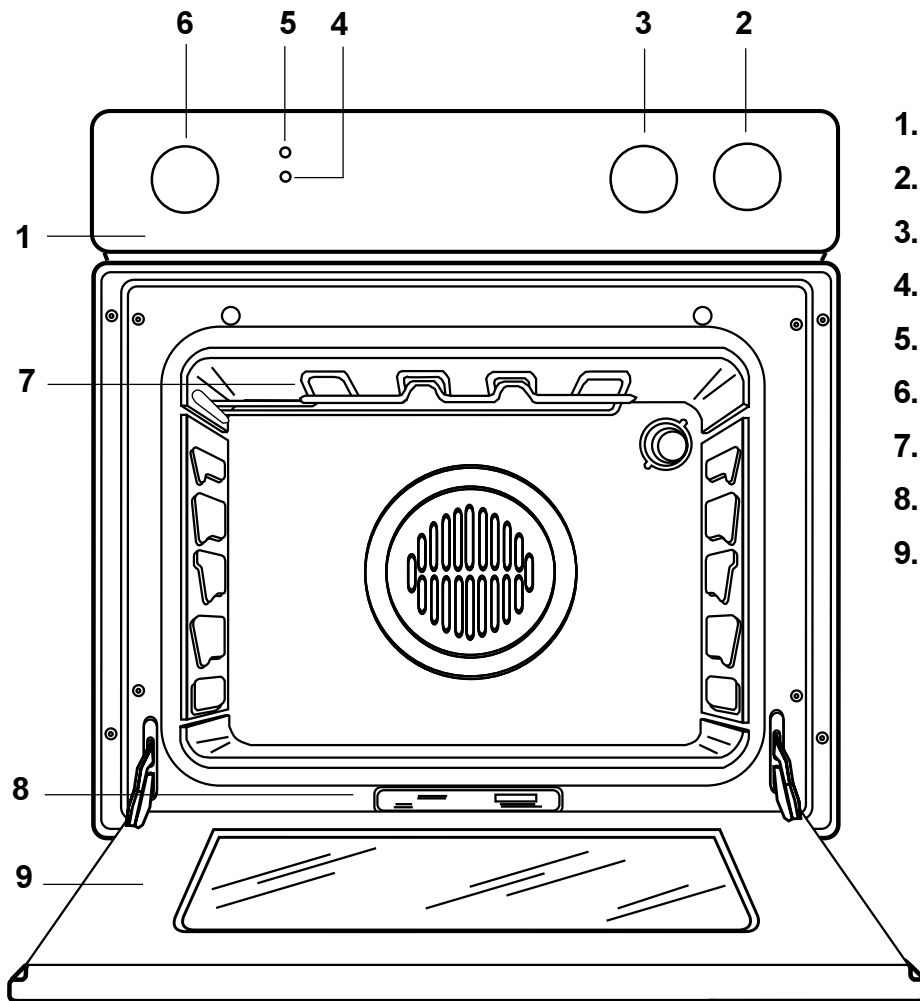
 Environmental information

 This appliance complies with the following **E.E.C. Directives:**

- * **73/23 - 90/683** (Low Voltage Directive);
- * **93/68** (General Directives);
- * **89/336** (Electromagnetical Compatibility Directive).

and subsequent modifications

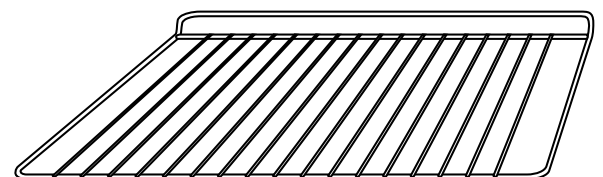
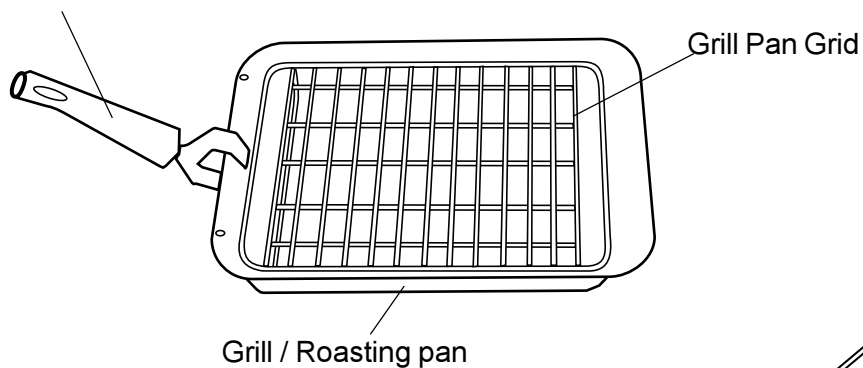
Description of the Appliance



1. Control Panel
2. Thermostat Control Knob
3. Oven Function Control Knob
4. Thermostat Control Light
5. Mains on Light
6. End of cooking programmer
7. Grill
8. Rating label
9. Oven door

Accessories





Removable
handle

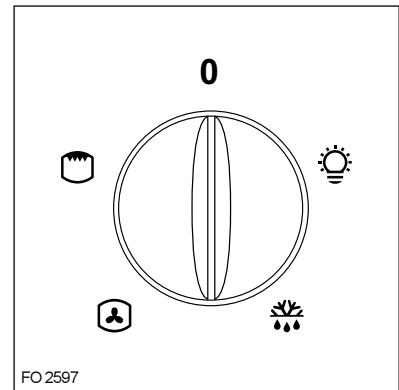


Anti-tip shelf (x 2)

Controls

Oven Function Control Knob

-  Oven Light - The oven light will be on without any cooking function.
-  Defrost Setting - This setting is intended to assist in thawing of frozen food.
-  Fan Oven cooking - This allows you to roast or roast and bake simultaneously using any shelf, without flavour transference.
-  Grill - The heat comes from the top element only

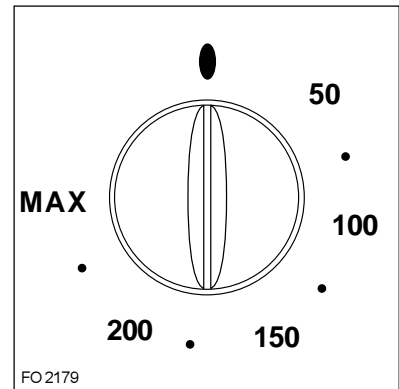


Thermostat Control Knob

Turn the thermostat control knob clockwise to select temperatures between 50°C and 250°C (MAX).

Thermostat Control Light (°C)

The thermostat control light will come on when the thermostat control knob is turned. The light will remain on until the correct temperature is reached. It will then cycle on and off to show the temperature is being maintained.



Mains on Light


The mains on light will come on when the oven function control knob is set.

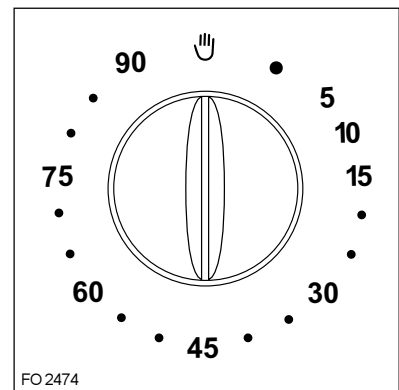
End of Cooking programmer

The end of cooking programmer allows the oven to switch off automatically (it cannot be used as a timer only).

The cooking duration can be set up to 90 minutes maximum.

Turn the knob to 90, then turn it back to the required cooking time. At the end of the chosen cooking time the timer clock automatically switches off the oven. At the same time an acoustic signal is emitted which stops automatically.

For manual operation the switch should be turned to the symbol showing a hand .



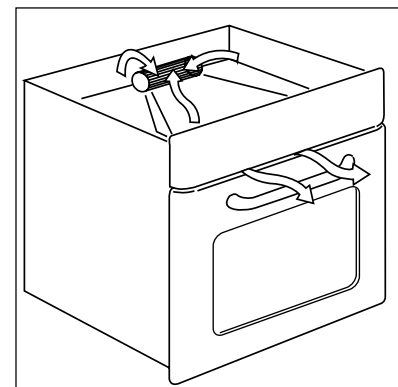
The Safety Thermostat

This oven is provided with a safety thermostat. In case of malfunctioning of the main thermostat, and consequent over-heating, the safety device will stop the power supply to the appliance. If this happens, call your local Service Force Centre. Under no circumstances should you attempt to repair the appliance yourself.


Cooling fan

The cooling fan operates during cooking. Air is expelled through vents between the oven door and the control panel, as shown in the diagram.

The cooling fan may run on after the oven is switched off to keep the controls cool. This is quite normal.



Before the First Use


 Remove **all packaging**, both inside and outside the oven, before using the appliance.

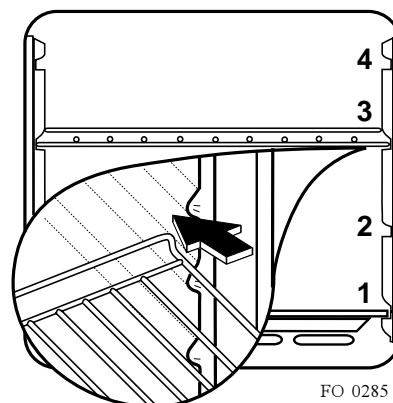
Before first use, the oven should be heated without food. During this time, an unpleasant odour may be emitted. This is quite normal.

 1. Switch the oven function control knob to fan cooking




2. Set the thermostat control knob to MAX.
3. Open a window for ventilation.
4. Allow the oven to run empty for approximately 45 minutes.


This procedure should be repeated with the grill  function for approximately 5-10 minutes.



FO 0285

Using the Oven

 **Always cook with the oven door closed.** Stand clear when opening the drop down oven door. **Do not** allow it to fall open - support the door using the door handle, until it is fully open.

 The oven has four shelf levels, and is supplied with two shelves. The shelf positions are counted from the bottom of the oven as shown in the diagram. It is important that these shelves are correctly positioned as shown in the diagram. Do not place cookware directly on the oven base.

Hints and Tips

Condensation and steam

When food is heated it produces steam in the same way as a boiling kettle. The oven vents allow some of this steam to escape. However, **always stand back from the oven when opening the oven door** to allow any build up of steam or heat to release.

If the steam comes into contact with a cool surface on the outside of the oven, e.g. a trim, it will condense and produce water droplets. This is quite normal and is not a fault with the oven.

To prevent discolouration, regularly wipe away condensation and also soilage from surfaces.

Cookware

- Use any oven proof cookware which will withstand temperatures of 250°C.
- Baking trays, oven dishes, etc. should not be placed directly against the grid covering the fan at the back of the oven, or placed on the oven base.
- Do not use baking trays larger than 30 cm x 35 cm (12 in x 14 in) as they will restrict the circulation of heat and may affect performance.

The effects of dishes on cooking results

Dishes and tins vary in their thickness, conductivity, colour, etc. which affects the way they transmit heat to the food inside them.

- A** Aluminium, earthenware, oven glassware and bright shiny utensils reduce cooking and base browning.
- B** Enamelled cast iron, anodized aluminium, aluminium with non-stick interior and coloured exterior and dark, heavy utensils increase cooking and base browning.

Using the Fan Oven

The air inside the oven is heated by the element around the fan situated behind the back panel. The fan circulates hot air to maintain an even temperature inside the oven.

The advantages of cooking with this function are:

● Faster Preheating

As the fan oven quickly reaches temperature, it is not usually necessary to preheat the oven although you may find that you need to allow an extra 5-7 minutes on cooking times. For recipes which require higher temperatures, best results are achieved if the oven is preheated first, e.g. bread, pastries, scones, souffles, etc.

● Lower Temperatures

Fan oven cooking generally requires lower temperatures than conventional cooking.


Follow the temperatures recommended in the cooking chart or remember to reduce temperatures by about 20-25°C for your own recipes which use conventional cooking.

● Even Heating for Baking

The fan oven has uniform heating on all runner positions. This means that batches of the same food can be cooked in the oven at the same time. However, the top shelf may brown slightly quicker than the lower one.

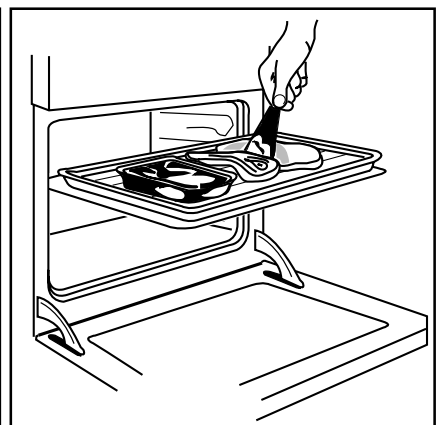
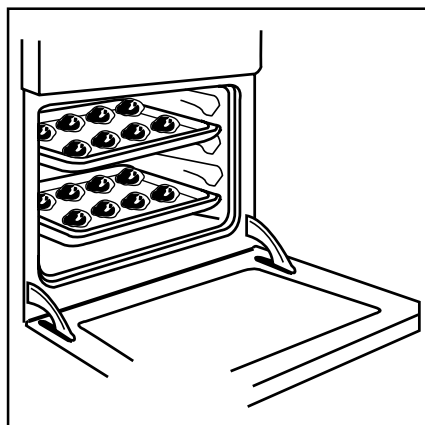
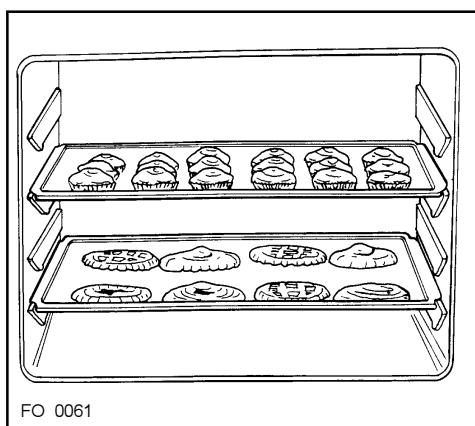
This is quite usual. There is no mixing of flavours between dishes.

How to Use the Fan Oven

1. Turn the oven function control knob to .
2. Turn the thermostat control to the required temperature.

THINGS TO NOTE

- The oven light will come on when the oven function control knob is set.
- The oven fan will operate continually during cooking.
- The thermostat control light will remain on until the correct temperature is reached. It will then cycle on and off to show the temperature is being maintained.



Hints and Tips

- Runner positions are not critical, but make sure the shelves are evenly spread.
- When cooking more than one dish in the fan oven, place dishes centrally on the shelves rather than several dishes on one shelf.
- When the oven is full, you may need to allow slightly longer cooking time.
- A shelf may be placed on the floor of the oven. Place dishes on a shelf in this position rather than on the oven base, to allow air circulation around the food.
- When the oven is full of the same food, e.g. equal trays of small cakes or equal size victoria sandwich cakes, then they will be cooked in the same time and removed from the oven together. When different sizes of trays or types of food, e.g. biscuits and cakes are cooked, they will not necessarily be ready together.
- The fan oven can be used to heat foods through without thawing first, e.g. fruit tarts, mince pies, sausage rolls, and other small pastry items. Use a temperature of 190-200°C and allow 20-40 minutes (depending on the quantity of food in the oven).
- The use of too high temperatures can cause uneven browning. Check with the recommendations for oven temperatures given in the cooking charts, but be prepared to adjust the temperature by 10°C if necessary. Remember to reduce temperatures by about 20-25°C for your own conventional recipes.
- When roasting do use the trivet in the meat tin. Fat and meat juices will drain into the meat tin below and can be used to make gravy. The trivet also prevents splashes of fat from soiling the oven interior.
- A meat tin **should not** be placed on a heated hotplate as this may cause the enamel to crack.

Cooking Chart

This chart is intended as a guide only. It may be necessary to increase or decrease the temperature to suit your individual requirements. Only experience will enable you to determine the correct setting for your personal requirements.

| Food | Shelf Position | Cooking Temp (°C) | |
|--------------------------|---|-------------------|---------|
| Biscuits | Shelf positions are not critical but ensure that oven shelves are evenly spaced when more than one is used. | 180-190 | |
| Bread | | 210-220 | |
| Casseroles | | 130-140 | |
| Cakes: Small and queen | | 160-170 | |
| Sponges | | 160-170 | |
| Madeira | | 140-150 | |
| Rich Fruit | | 130-140 | |
| Christmas | | 130-140 | |
| Meringues | | 90-100 | |
| Fish | | 170-190 | |
| Fruit Pies and Crumbles | | 190-200 | |
| Milk Puddings | | 130-140 | |
| Pastry: Choux | | } | 190-200 |
| Shortcrust | | | |
| Flaky | | | |
| Puff | | | |
| Plate Tarts | | 180 | |
| Quiches/Flans | | 170-180 | |
| Scones | | 210-220 | |
| Roasting: Meat & Poultry | | 160-180 | |


When roasting, ensure the meat is cooked thoroughly, use a meat thermometer if preferred to check the centre temperature has reached the required temperature (see table below).

| MEAT | TEMPERATURES |
|------|--|
| Beef | Rare - 60°C Medium - 70°C Well Done - 80°C |
| Pork | Well Done - 80°C |
| Lamb | Medium - 70°C Well Done - 80°C |

Defrosting

The oven fan operates without heat and circulates the air, at room temperature, inside the oven. This increases the speed of defrosting. However, please note that the temperature of the kitchen will influence the speed of defrosting. This function is particularly suitable for delicate food which could be damaged by heat, e.g. cream filled gateaux, iced cakes, pastries, bread and other yeast products.

How to Use Defrosting

1. Turn the oven function control knob to .
2. Ensure the thermostat control knob is in the OFF position.

Hints and Tips

- Cover food with a lid, aluminium foil or plastic film to prevent drying out during defrosting.
- ALWAYS COOK THOROUGHLY IMMEDIATELY AFTER THAWING.
- Frozen food should be placed in a single layer when ever possible and turned over half way through the defrosting process.
- Only joints of meat and poultry up to 2 kg. (4 lb.) are suitable for defrosting in this way.

Refer to the following table for approximate defrosting times.

| Food | Defrosting time (Mins) | Standing time (Mins) | Notes |
|---------------------|------------------------|----------------------|--|
| Chicken 1000 g. | 100-140 | 20-30 | Place the chicken on an inverted saucer on a large plate. Defrost open and turn at half time or defrost covered with foil. Remove giblets as soon as possible. |
| Meat 1000 g. | 100-140 | 20-30 | Defrost open and turn at half time or cover with foil |
| Meat 500 g. | 90-120 | 20-30 | As above |
| Trout 150 g. | 23-35 | 10-15 | Defrost open |
| Strawberries 300 g. | 30-40 | 10-20 | Defrost open |
| Butter 250 g. | 30-40 | 10-15 | Defrost open |
| Cream 2 x 200 g. | 80-100 | 10-15 | Defrost open (cream is easy to whip even if parts of it are still slightly frozen) |
| Cake 1400 g. | 60 | 60 | Defrost open |

The times quoted in the chart should be used as a guide only, as the speed of defrosting will depend on the kitchen temperature. For example, the colder the ambient temperature, the longer the defrosting time.


Grilling



Grilling must be carried out with the oven door closed. The grill pan handles must be removed from the pan.



How to Use the Grill

1. Turn the oven control function knob to .
2. Turn the thermostat control knob to the required temperature.
3. Adjust the grid and grill pan runner position to allow for different thicknesses of food. Position the food close to the element for faster cooking and further away for more gentle cooking.

Preheat the grill on a full setting for a few minutes before sealing steaks or toasting. Adjust the heat setting and the shelf as necessary, during cooking.

During cooking, the cooling fan and the thermostat control light will operate in the same way as described for the conventional oven function.

Hints and Tips

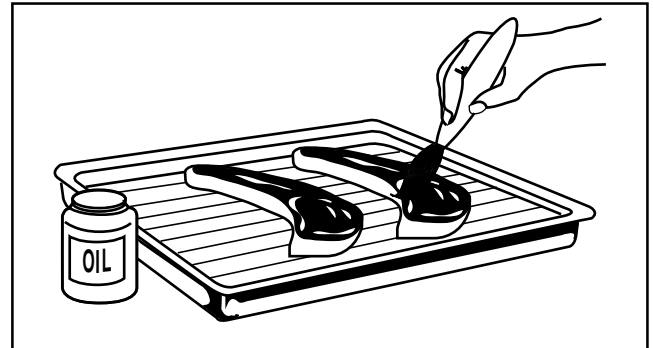
- Most foods should be placed on the grid in the grill pan to allow maximum circulation of air and to lift the food out of the fats and juices. Food such as fish, liver and kidneys may be placed directly on the grill pan, if preferred
- Food should be thoroughly dried before grilling to minimise splashing. Brush lean meats and fish lightly with a little oil or melted butter to keep them moist during cooking
- Accompaniments such as tomatoes and mushrooms may be placed underneath the grid when grilling meats
- When toasting bread, we suggest that the top runner position is used with the grid in its 'high' position
- The food should be turned over during cooking, as required.

The grill element is controlled by the thermostat. During cooking, the grill cycles on and off to prevent overheating.

Cooking Chart

Cooking time depends on the thickness of the meat and not on its weight.

| Type of food | Mins per side | |
|--------------------------------|---------------|--------|
| Bacon rashers | 2 - 5 | |
| Chicken joints | 15 - 20 | |
| Gammon rashers | 5 - 8 | |
| Lamb chops | 6 - 12 | |
| Pork chops | 10 - 15 | |
| Sausages (turning as required) | 10 - 12 | |
| Steaks (average thickness) | Rare | 3 - 6 |
| | Medium | 6 - 10 |
| | Well done | 8 - 12 |
| Toast | 1 - 1½ | |



Cleaning the Oven



Before cleaning always allow the cooling fan to cool the cooker down before switching off at the electricity supply.

The oven should be kept clean at all times. A build-up of fats or other foodstuffs could result in a fire, especially in the grill pan.

Cleaning materials

Before using any cleaning materials on your oven, check that they are suitable and that their use is recommended by the manufacturer.

Cleaners that contain bleach should NOT be used as they may dull the surface finishes. Harsh abrasives should also be avoided.

External cleaning

Regularly wipe over the control panel, oven door and door seal using a soft cloth well wrung out in warm water to which a little liquid detergent has been added.



To prevent damaging or weakening the door glass panels avoid the use of the following:

- Household detergent and bleaches
- Impregnated pads unsuitable for non-stick saucepans
- Brillo/Ajax pads or steel wool pads
- Chemical oven pads or aerosols
- Rust removers
- Bath/Sink stain removers

Clean the outer and inner door glass using warm soapy water. Should the inner door glass become heavily soiled it is recommended that a cleaning product such as Hob Brite is used.



DO NOT clean the oven door while the glass panels are warm. If this precaution is not observed the glass panel may shatter. If the door glass panel becomes chipped or has deep scratches, the glass will be weakened and must be replaced to prevent the possibility of the panel shattering. Contact your local Service Force Centre who will be pleased to advise further.

Oven Cavity

The enamelled base of the oven cavity is best cleaned whilst the oven is still warm.

Wipe the oven over with a soft cloth soaked in warm soapy water after each use. From time to time it will be necessary to do a more thorough cleaning, using a proprietary oven cleaner.

Replacing The Oven Light



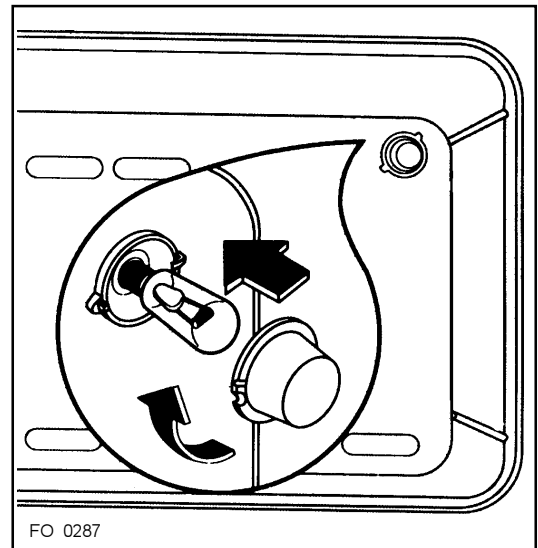
Disconnect the appliance

If the oven bulb needs replacing, it must comply with the following specifications:

- Electric power: 15W,
- Electric rate: 230-240V (50 Hz),
- Resistant to temperatures of 300°C,
- Connection type: E14.

These bulbs are available from your local Service Force Centre. To replace the faulty bulb:

1. Ensure the oven is isolated from the electrical supply.
2. Push in and turn the glass cover anticlockwise.
3. Remove the faulty bulb and replace with the new one.
4. Refit the glass cover and restore the electrical supply.



Something not working

If the appliance is not working correctly, please carry out the following checks, before contacting your local Service Force Centre.

IMPORTANT: If you call out an engineer to a fault listed below, or to repair a fault caused by incorrect use or installation, a charge will be made even if the appliance is under guarantee.

| SYMPTOM | SOLUTION |
|---|---|
| <ul style="list-style-type: none"> ■ The oven does not come on | <ul style="list-style-type: none"> ◆ Check the oven is in manual operation and that both a cooking function and temperature have been selected. ◆ Check the appliance is wired in properly, and the socket switch or the switch from the mains supply to the oven are ON. |
| <ul style="list-style-type: none"> ■ The oven temperature light does not come on | <ul style="list-style-type: none"> ◆ Select a temperature with the thermostat control knob ◆ Select a function with the oven function control knob. |
| <ul style="list-style-type: none"> ■ The oven light does not come on | <ul style="list-style-type: none"> ◆ Select a function with the oven function control knob ◆ Check the light bulb, and replace it if necessary (see "Cleaning the Oven") |
| <ul style="list-style-type: none"> ■ It takes too much time to finish the dishes, or they are cooked too fast. | <ul style="list-style-type: none"> ◆ The temperature may need adjusting ◆ Refer to the contents of this booklet, especially to the chapter "Using the Oven". |
| <ul style="list-style-type: none"> ■ Steam and condensation settle on the food and the oven cavity. | <ul style="list-style-type: none"> ◆ Leave dishes inside the oven no longer than 15-20 minutes after the cooking is completed. |
| <ul style="list-style-type: none"> ■ The programmer does not work | <ul style="list-style-type: none"> ◆ Check the instructions for the programmer. |
| <ul style="list-style-type: none"> ■ The oven fan is noisy | <ul style="list-style-type: none"> ◆ Check that shelves and bakeware are not vibrating in contact with the oven back panel. |

If after all these checks, the oven still does not work, contact your local Service Force Centre quoting your model and serial number, which can be found on the rating plate.

Please note that it will be necessary to provide proof of purchase for any in-guarantee service calls.

In-guarantee customers should ensure that the above checks have been made as the engineer will make a charge if the fault is not a mechanical or electrical breakdown.

When you contact the Service Force Centre, they will need the following information:

1. Your name, address and post code.
2. Your telephone number
3. Clear and concise details of the fault
4. The model and the serial number (see rating label)
5. Date of purchase

Service and Spare Parts



If you require spare parts or an engineer contact your local Service Force Centre by telephoning:

08705-929929

Your call will be routed to the Service Centre covering your post code area. The addresses of Service Force Centres are detailed on the following pages.

CUSTOMER CARE

For general enquiries concerning your Tricity Bendix appliance and for further information on Tricity Bendix products, contact our Customer Care Department by letter or telephone as follows:

Customer Care Department

TRICITY BENDIX

55-77 High Street

Slough

Berkshire SL1 1DZ

Tel : 08705 950950

* calls to this number may be recorded for training purposes

Guarantee Conditions

Tricity Bendix Standard Guarantee Conditions

We, Tricity Bendix, undertake that if, within 12 months of the date of the purchase, this Tricity Bendix appliance or any part thereof is proved to be defective by any reason only of faulty workmanship or materials, we will, at our option, repair or replace the same **FREE OF ANY CHARGE** for labour, materials or carriage on condition that:

- * The appliance has been correctly installed and used only on the gas and electricity supply stated on the rating plate.
- * The appliance has been used for normal domestic purposes only, and in accordance with the manufacturer's instructions.
- * The appliance has not been serviced, maintained, repaired, taken apart or tampered with by any person not authorised by us.
- * All service work under this guarantee must be undertaken by a Tricity Bendix Service Force Centre.
- * Any appliance or defective part replaced shall become the Company's property.
- * This guarantee is in addition to your statutory and other legal rights.

Home visits are made between **8.30am and 5.30pm** Monday to Friday. Visits may be available outside these hours, in which case a **premium** will be charged.

Exclusions

This guarantee does not cover:

- * Damage or calls resulting from transportation, improper use or neglect, the replacement of any light bulbs or removable parts of glass or plastic.
- * Costs incurred for calls to put right an appliance which is improperly installed or calls to appliance outside the United Kingdom.
- * Appliances found to be in use within a commercial or similar environment, plus those which are the subject to rental agreements.
- * Products of Tricity Bendix manufacture which are not marketed by Tricity Bendix.

European Guarantee

If you should move to another country within Europe then your guarantee moves with you to your new home subject to the following qualifications:

- * The guarantee starts from the date you first purchased your product.
- * The guarantee is for the same period and to the same extent for labour and parts as exist in the new country of use for this brand or range of products.
- * This guarantee relates to you and cannot be transferred to another user.
- * Your new home is within the European Community (EC) or European Free Trade Area.
- * The product is installed and used in accordance with our instructions and is only used domestically, i.e. a normal household
The electrical supply complies with the specification given in the rating label.
- * The product is installed taking into account regulations in your new country.

Before you move, please contact your nearest Customer Care centre, listed below, to give them details of your new home. They will then ensure that the local Service Organisation is aware of your move and able to look after you and your appliances.

| | | |
|---------|-----------|----------------------|
| France | Senlis | +33 (0)3 44 62 22 22 |
| Germany | Nürnberg | +49 (0)911 323 2600 |
| Italy | Pordenone | +39 (0)1678 47053 |
| Sweden | Stockholm | +46 (0)20 78 77 50 |
| UK | Slough | +44 (0)1753 219898 |

To contact your local Service Force Centre telephone **08705 929 929**

| CHANNEL ISLANDS | | | | NORTHEAST | |
|-----------------|---|-------------------------|--|-----------------|---|
| GUERNSEY | Guernsey Electricity PO Box 4 Vale, Guernsey Channel Islands GY1 3AD | ISLE OF LEWIS | ND Macleod 16 James Street Stornoway Isle of Lewis PA87 2QW | GATESHEAD | Unit 356a Dukesway Court Dukesway Gateshead NE11 0BH |
| JERSEY | Jersey Electricity Company Haut De L'orme Rue De Haut De L'orme Trinity Jersey Channel Islands JE3 5FG | KELSO | 2, 6 & 8 Woodmarket Kelso Borders TD57AX | GRIMSBY | 15 Hainton Avenue Grimsby N. E. Lincs DN32 9AS |
| SCOTLAND | | ORKNEY | 7 King Street Kirkwall Orkney KW15 1JF | HULL | Unit 1 Boulevard Industrial Estate Hull HU3 4AY |
| ABERDEEN | 54 Claremont Street Aberdeen AB10 6RA | PERTH | Scottish Hydro Electric Central Warehouse Inveralmond Perth PH1 3AF | LEEDS | 64-66 Cross Gates Road Cross Gates Leeds LS15 7YS |
| AUCHTERMUCHTY | 33a Burnside Auchtermuchty Fife KY14 7AJ | (OWN SALES) | | NEWTON AYCLIFFE | Unit 23 Northfield Way Aycliffe Industrial Park Newton Aycliffe DL5 6EJ |
| BLANTYRE | Unit 5 Block 2 Auchenraith Ind. Estate Rosendale Way Blantyre G72 0NJ | SHETLAND | 3-4 Carlton Place Lerwick Shetland ZE1 0PW | (OWN SALES) | |
| DUMFRIES | 93 Irish Street Dumfries DG1 2 PQ | SHETLAND | Bolts Shetland 26 North Road Lerwick Shetland ZE1 0PE | (OWN SALES) | |
| DUNOON | 7 Hill Street Dunoon Argyll PA23 7AL | WHALSAY | Leask Electrical Harisdale Symbister, Whalsay Shetland ZE2 9AA | (OWN SALES) | |
| EDINBURGH | Unit 12 Dumbryden Ind. Estate 2 Dumbryden Road Edinburgh EH14 2AB | NORTHERN IRELAND | | BIRKENHEAD | 1 Kelvin Park Dock Road Birkenhead CH41 1LT |
| GLASGOW | Unit 4 Wellington Road Bishopriggs Glasgow G64 2SA | BELFAST | Owenmore House Kilwee Business Park Dunmurry Belfast BT17 0HD | CARLISLE | Unit 7 James Street Workshops James Street Carlisle Cumbria CA2 5AH |
| INVERNESS | Unit 3BI Smithton Ind. Estate Smithton Inverness IV2 7WL | WALES | | ISLE OF MAN | South Quay Ind. Estate Douglas Isle of Man IM1 5AT |
| ISLE OF ARRAN | Arran Domestics The Douglas Centre Brodict Isle of Arran KA27 8AJ | CARDIFF | Unit 4 Guardian Industrial Estate Clydesmuir Road Cardiff CF2 2QS | BOLTON | Unit B Central Industrial Estate St Marks Street Bolton BL3 6NR |
| ISLE OF BARRA | J Zerfah 244 Bruernish Isle of Barra Western Islands HS9 5QY | CLYWD | Unit 6-7 Coed Parc Abergele Road Rhuddlan Clwyd LL18 5UG | PRESTON | Unit 250 Dawson Place Bamber Bridge Preston Lancashire PR5 8AL |
| ISLES OF BUTE | Walker Engineering Glenmhor Upper Serpentine Road Rothesay Isle of Bute PA20 9EH | DYFED | Unit 9 St. Clears Business Park Tenby Road St. Clears Carmarthen SA33 4JW | STOCKPORT | Unit 20 Haigh Park Haigh Avenue Stockport SK4 1QR |
| | | OSWESTRY | Plas Ffynnon Warehouse Middleton Road Oswestry SY11 2PP | | |

To contact your local Service Force Centre telephone **08705 929 929**

| MIDLANDS | | LONDON & EAST ANGLIA | | SOUTH EAST | |
|-------------------------|--|----------------------|---|-------------------|--|
| BIRMINGHAM | 66 Birch Road East Wyrley Trading Estate Witton Birmingham B6 7DB | BECKENHAM | 11a Gardner Ind. Estate Kent House Lane Beckenham Kent BR3 1QZ | ASHFORD | Unit 2 Bridge Road Business Centre Bridge Road Ashford Kent TN23 1BB |
| BOURNE | Pinfold Road Bourne PE10 9HT | CHELMSFORD | Hanbury Road Widford Ind. Estate Chelmsford Essex CM12 3AE | FLEET | Unit 1 Redfields Ind. Estate Church Crookham Fleet Hampshire GU13 0RD |
| BRIDGNORTH | 68 St. Mary's Street Bridgnorth Shropshire WV16 4DR | COLINDALE | Unit 14 Capitol Park Capitol Way Colindale London NW9 0EQ | HAYWARDS HEATH | 21-25 Bridge Road Haywards Heath Sussex RH16 1UA |
| GLOUCESTER | 101 Rycroft Street Gloucester GL1 4NB | ELTHAM | 194 Court Road Mottingham Eltham London SE9 4EW | TONBRIDGE | Unit 30 Deacon Trading Estate Morley Road Tonbridge TN9 1RA |
| HEREFORD | Units 3 & 4 Bank Buildings Cattle market Hereford HE4 9HX | ENFIELD | 284 Alma Road Enfield London EN3 7BB | SOUTH WEST | |
| HIGHAM FERRERS | 30 High Street Higham Ferrers Northants NN10 8PL | GRAVESEND | Unit B4 Imperial Business Estate West Mill Gravesend Kent DA11 0DL | BARNSTAPLE | Main Road Fremington Barnstaple North Devon EX31 2NT |
| ILKESTON | Unit 2 Furnace Road Ilkeston DE7 5EP | IPSWICH | Unit 6C Elton Park Business Centre Hadleigh Road Ipswich IP2 0DD | BOURNEMOUTH | 63-65 Curzon Road Bournemouth Dorset BH1 4PW |
| LEICESTER | Unit 7 Oaks Industrial Estate Coventry Road Narborough Leicestershire LE9 5GF | LETCHWORTH | 16-17 Woodside Ind. Park Works Road Letchworth Herts SG6 1LA | BRIDGEWATER | 6 Herswell Business Park Salmon Parade Bridgwater Somerset TA6 5PY |
| LINCOLN | Unit 8 Clifton Street Stone Field Park Lincoln LN5 8LQ | LONDON | 2 - 4 Royal Lane Yiewsley West Drayton Middlesex UB7 8DL | BRISTOL | 11 Eldon Way Eldonwall Trading Estate Bristol BS4 3QQ |
| NEWCASTLE UNDER LYME | 18-21 Croft Road Brampton Ind. Estate Newcastle under Lyme Staffordshire ST5 0TW | MAIDENHEAD | Reform Road Maidenhead Berkshire SL6 8BY | EMSWORTH | 266 Main Road Southbourne Emsworth PO10 8JL |
| REDDITCH | 13 Thornhill Road North Moons Moat Redditch Worcestershire B98 9ND | MOLESEY | 10 Island Farm Avenue West Molesey Surrey KT8 2UZ | ISLE OF WIGHT | Unit 8 Enterprise Court Ryde Business Park Ryde Isle of Wight PO33 1DB |
| TAMWORTH | Unit 3 Sterling Park Claymore Tamworth B77 5DQ | NEWBURY | 9 Pipers Court Berkshire Drive Thatcham Berkshire RG19 4ER | NEWTONABBOT | Unit 2 Zealley Ind. Estate Kingsteignton Newton Abbot TQ12 3TD |
| WORCESTER | Units 1 & 2 Northbrooks Close Gregorys Mill Ind. Estate Worcester WR3 8BP | NORWICH | 2b Trafalgar Street Norwich NR1 3HN | REDRUTH | Unit 7D Pool Ind. Estate Druids Road Redruth Cornwall TR15 3RH |
| | | SUNBURY | Unit 1a The Summit Hanworth Road Sunbury on Thames TW16 5DB | | |

Technical Data

Heating elements rating

| | |
|--------------------------|---------|
| Circular heating element | 2.08 kW |
| Inner Grill element | 1.82 kW |
| Grill element | 1.83 kW |
| Oven Light | 15 W |
| Cooling Fan | 25 W |
| Convection Fan | 30 W |
| Total Rating | 2.15 kW |

Dimensions of recess

| | |
|--------|-------------|
| Height | 580 mm. |
| Width | 560-570 mm. |
| Depth | 550 mm. |


Dimensions of the oven cavity

| | |
|---------------|-------------|
| Height | 320 mm. |
| Width | 420 mm. |
| Depth | 390 mm. |
| Oven capacity | 53.2 litres |

Electrical Connection

The oven is designed to be connected to 230-240V (50Hz) electricity supply.

The oven has an easily accessible terminal block which is marked as follows:

| | | |
|--|---|------------------|
| Letter L | - | Live terminal |
| Letter N | - | Neutral terminal |
|  or E | - | Earth terminal |



THIS OVEN MUST BE EARTHED

The cable used to connect the oven to the electrical supply must comply to the specifications given below.

It is necessary that you install a double pole switch between the oven and the electricity supply (mains), with a minimum gap of 3mm between the switch contacts and of a type suitable for the required load in compliance with the current rules.

The switch must not break the yellow and green earth cable at any point.

Important

After installation and connecting, the cable must be placed so that it cannot at any point reach a temperature of more than 60°C above the ambient temperature.

Before the oven is connected, check that the main fuse and the domestic installation can support the load; and that the power supply is properly earthed.

The manufacturer disclaims any responsibility should these safety measures not be carried out.

For Uk use only

| Connection via | Min. size Cable/flex | Cable / flex type | Fuse |
|---|----------------------|------------------------|-----------|
| <ul style="list-style-type: none"> 13 A socket outlet 13 A spur box | 2.5 mm ² | 3 core butyl insulated | 13 A min. |
| <ul style="list-style-type: none"> Cooker Control Circuit | 2.5 mm ² | PVC/PVC twin and earth | 20 A |

For Europe use only

| Min. size Cable/flex | Cable / flex type | Fuse |
|----------------------|--|------|
| 1.5 mm ² | H07 RN-F, H05 RN-F, H05 RR-F, H05 VV-F, H05 V2V2-F (T90), H05 BB-F | 13 A |

Building In

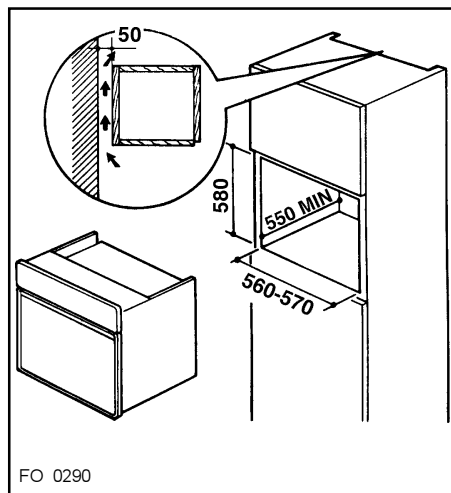
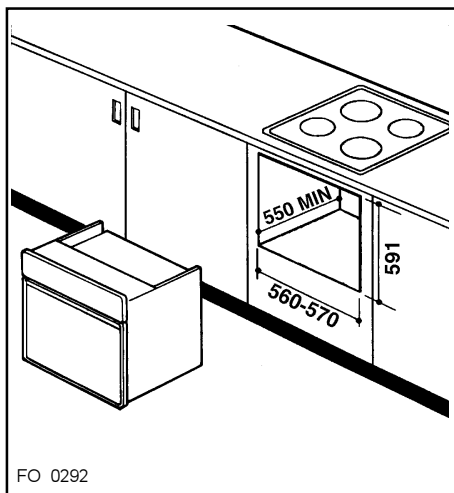
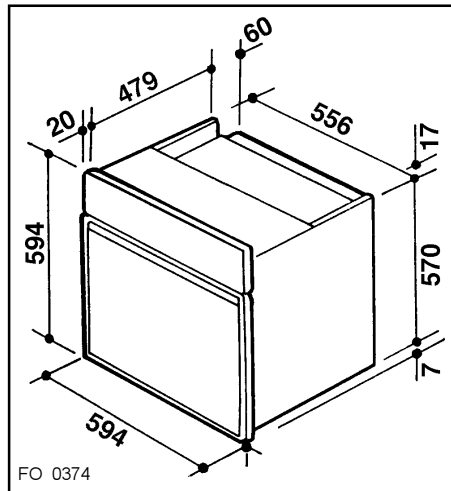
Please ensure that when the oven is installed it is easily accessible for the engineer in the event of a breakdown.

BUILDING IN

The surround or cabinet into which the oven will be built must comply with these specifications:

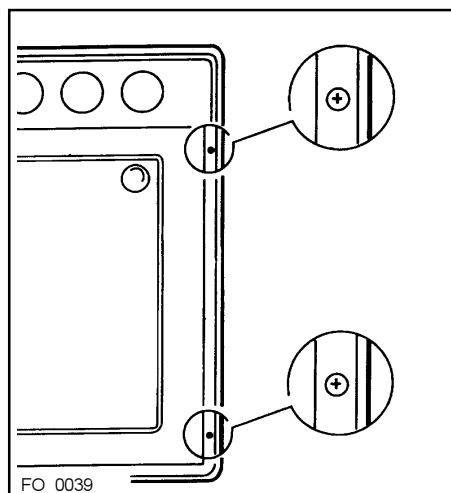
- the dimensions must be as shown in the relevant diagrams;
- the materials must withstand a temperature increase of at least 60°C above the ambient temperature;
- proper arrangements must be made for a continuous supply of air to the oven to prevent the oven overheating.

Dimensions of the oven and recess required are given in the relevant diagrams.



Securing The Oven To The Cabinet

1. Fit the oven into the cabinet recess,
2. Open the oven door
3. Secure the oven to the kitchen cabinet with four wood screws, which fit the holes provided in the oven frame.



CUSTOMER CARE

Tricity Bendix

55-77 High Street

Slough

Berkshire, SL1 1DZ

Tel: 08705-950950

© Electrolux Household Appliances Limited 2001

 **From the Electrolux Group.** *The world's No.1 choice.*

The Electrolux Group is the world's largest producer of powered appliances for kitchen, cleaning and outdoor use. More than 55 million Electrolux Group products (such as refrigerators, cookers, washing machines, vacuum cleaners, chain saws and lawn mowers) are sold each year to a value of approx. USD 14 billion in more than 150 countries around the world.

Free Manuals Download Website

<http://myh66.com>

<http://usermanuals.us>

<http://www.somanuals.com>

<http://www.4manuals.cc>

<http://www.manual-lib.com>

<http://www.404manual.com>

<http://www.luxmanual.com>

<http://aubethermostatmanual.com>

Golf course search by state

<http://golfingnear.com>

Email search by domain

<http://emailbydomain.com>

Auto manuals search

<http://auto.somanuals.com>

TV manuals search

<http://tv.somanuals.com>