



# AIR BOSS

## Model: IMP 38



### FEATURES AND BENEFITS

A practical and economical method to eliminate oil mists is to apply Trion's AIR BOSS Model 38 unit. Under normal mechanical and thermal stresses, petroleum based and synthetic oils in the lubrication systems break down into fine mist and smoke particles.

These particles, under pressure, escape through bearing seals to breather vents where they are exhausted, these airborne oil mists can create health and fire hazards.

Trion's Model 38 is ideal for collecting fumes and oil mists from Gas Turbines, Diesel Engines, Vacuum Pumps, Compressors, Auxiliary Engines and Storage Tanks.

- Removes fumes and oil mist from discharged air - helps maintain a cleaner work environment and reduces costly maintenance clean-ups of oil
- Spiked Ionizers - no ionizing wires to replace, which reduces maintenance costs
- Low and constant static pressure - insures machinery performance
- 3-speed selector switch - easy control for economic and effective results
- Easily installed and maintained - installed within 30 minutes to 1 hour

| Specifications      | VENT FOG / IMP                           |
|---------------------|--|
| Airflow Max Volume  | 1020 m <sup>3</sup> /hr                  |
| No. of Cells        | 1  |
| Power (watts)       | 50                                       |
| Noise Level dB(A)   | 50-70                                    |
| Output Voltage (Kv) | 12/6                                     |
| Input Voltage       | 110V/1ph/50Hz - 230V/1ph/50Hz            |
| Dimensions          | Height (mm)<br>Width (mm)<br>Length (mm) |
|                     | 1273 - 1727<br>311 - 349<br>390 - 714    |
| Cell Weight (kg)    | 5.7 / 12.5                               |
| Weight (kg)         | 71 / 153                                 |

# Model: IMP 38

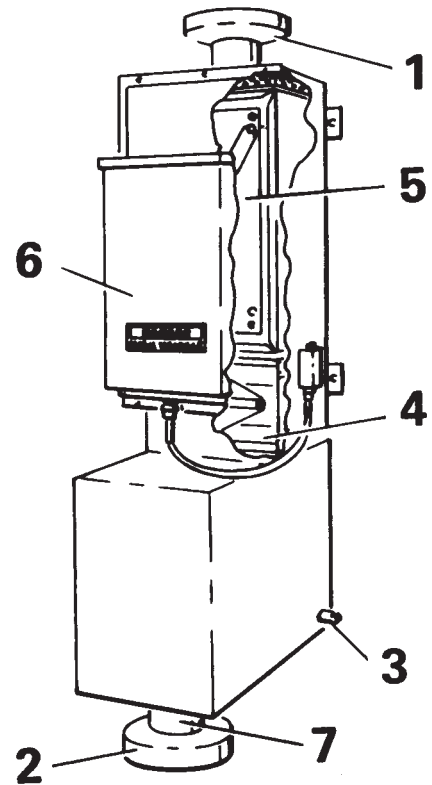
## General Specification

|                               |  |
|-------------------------------|--|
| <b>Cabinet:</b>               | Constructed of heavy gauge steel with welded seams |
| <b>Finish:</b>                | High Bake Epoxy Powder                             |
| <b>Airflow:</b>               | Horizontal. Right/Left or Left/Right               |
| <b>Installation:</b>          | Suspended, wall or frame mounted                   |
| <b>Electrical Connection:</b> | Direct to junction box on unit                     |
| <b>Pre-/after-filter:</b>     | Washable aluminium mesh                            |
| <b>Controls:</b>              | On/Off Switch with operating light                 |

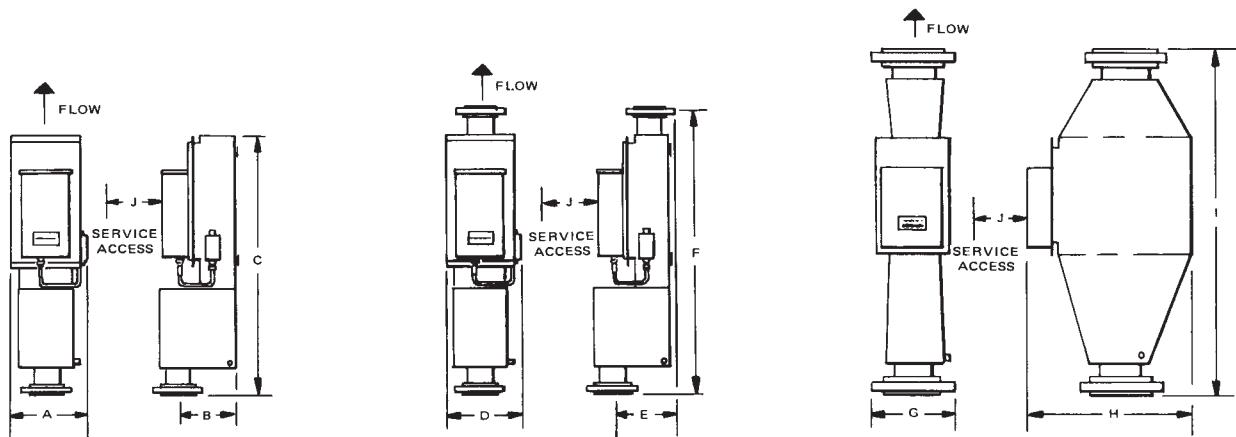
|                            |  |
|----------------------------|--|
| <b>Pre-Filter Options:</b> | Extended surface wraparound with 10 sq. ft of 2" thick polyester media<br>2" thick polyester pad in metal frame  |
| <b>Main Filter:</b>        | 66 sq.ft. multi pocket with variable stitching sealed against air leakage<br>Material: Borosilcate glass fibres with bonded laminated backing<br>Efficiency to 95% |

|                             |  |
|-----------------------------|--|
| <b>Main Filter Options:</b> | 65% efficiency filter bag<br>95% efficiency filter bag<br>Texwood: Polyester single pocket with cleanable fibreglass liner |
|-----------------------------|--|

|                  |                               |
|------------------|-------------------------------|
| <b>Optional:</b> | Filter change indicator gauge |
| <b>Mounting:</b> | 4 eyebolts                    |



1. Clean Air Outlet
2. Dirty Air Outlet
3. Drain Outlet
4. Ionizer
5. Collector
6. Power Supply
7. Flame Arrestor



**TRION**  
Air Purification Systems

## Free Manuals Download Website

<http://myh66.com>

<http://usermanuals.us>

<http://www.somanuals.com>

<http://www.4manuals.cc>

<http://www.manual-lib.com>

<http://www.404manual.com>

<http://www.luxmanual.com>

<http://aubethermostatmanual.com>

Golf course search by state

<http://golfingnear.com>

Email search by domain

<http://emailbydomain.com>

Auto manuals search

<http://auto.somanuals.com>

TV manuals search

<http://tv.somanuals.com>