

PORT-A-CART™



Portable Cartridge Air Cleaner



TRION®
air purification systems

ENGINEERING SOLUTIONS FOR CLEAN AIR



CAPTURE DRY PROCESS POLLUTANTS AT THE SOURCE

The Port-A-Cart™ helps to eliminate smoke, dust, powders and other dry process pollutants before they adversely affect indoor air quality and worker productivity.

Port-A-Cart is adaptable, efficient and easy to maintain. Its many advantages can help:

- Meet OSHA air quality standards
- Avoid health and safety hazards that cause workers to experience respiratory ailments
- Reduce make-up air requirements by cleaning and re-circulating the air
- Cut maintenance costs by eliminating smoke and dust before particles can settle on equipment and work surfaces



Port-A-Cart incorporates the latest technological advances in filtration design and is ideal for applications in which:

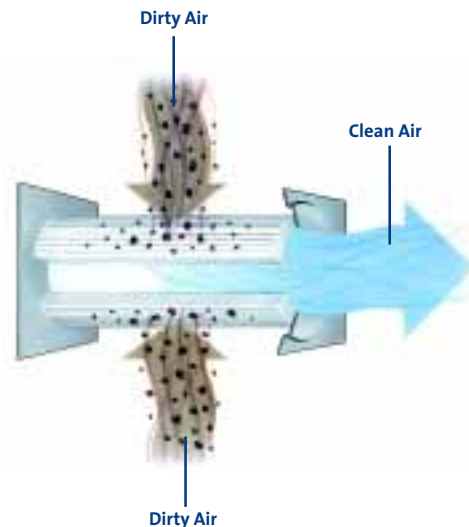
- Large pick-up hoods are impractical
- Dust and smoke-producing machinery are used intermittently
- An employee works at multiple stations

The Port-A-Cart's parabolic (curved) hood and inlet flange make the device most effective in capturing smoke and fumes at further distances, compared to standard designs that allow contaminant bypass.

HOW PORT-A-CART WORKS

The Port-A-Cart functions in three easy steps:

- Contaminants enter the Port-A-Cart through the unit-mounted hood and are conveyed through the swing arm into the cartridge filter section
- As the cartridge filter loads with contaminants, the optional, off-line reverse pulse cleaning system directs compressed air through the filter, dislodging collected particles. These particles then fall into the dust drawer for storage and easy removal
- Clean air is re-circulated into the work area



Specifications

Clean Airflow	1000 CFM (1700 m ³ /hr.)
Filter Area	190 ft ² (17.7 m ²)
Cabinet Dimensions	48" D x 30" W x 34" H (1222mm x 749mm x 851mm)
Shipping Weight	400 lbs. (180 kg.)
Noise Level	70 dB(A)* at 5' distance (1.5m)
Horsepower	1.5 HP
Electrical	115/208-230/1/60, 17/9.4-8.5 amps
Construction	14 ga. welded steel, powder coated cabinet

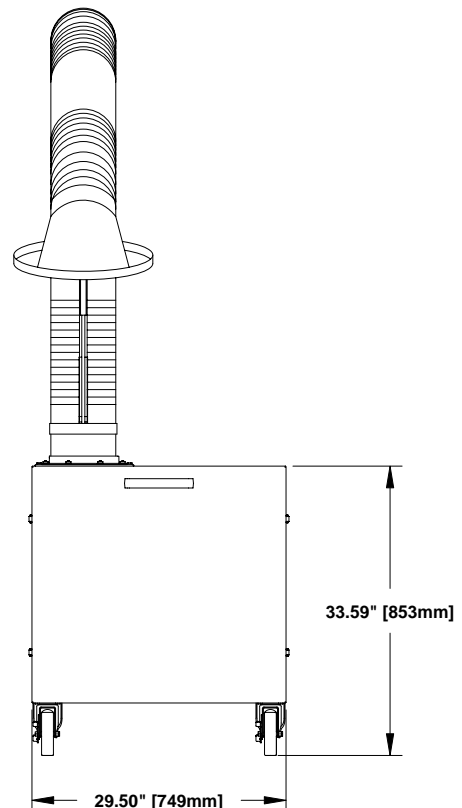
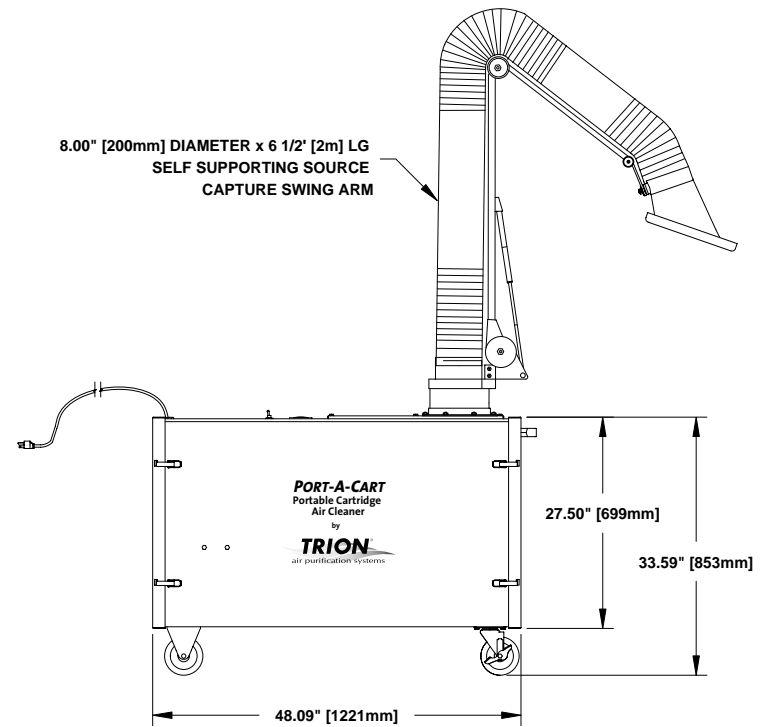
*dB(A) sound levels are an average of measurements made in a laboratory environment. Installed sound levels will vary depending on the measurement location, operating conditions and installation.

FEATURES AND BENEFITS

- Complete self-contained unit, includes 6.5-foot arm with parabolic hood, blower and filter cartridge for "plug and go" operation
- Minihelic[®] gauge kit to indicate when filter requires cleaning
- Direct-drive backward inclined blower overcomes higher static pressure to provide longer filter life and greater reliability; no belts or pulleys to replace
- Removable filter door allows easy access to cartridge filter
- Nanofiber technology provides up to 99.999% filtration efficiency on 0.5 µm dust particles
- Fire retardant cartridge for increased safety
- Compact design easily fits through a standard doorway
- Impregnated carbon after-filter for odor control

OPTIONS

- Off-line, reverse pulse cleaning system, factory or field installed kit
- Bolt-on, 99.97% HEPA after filter





Headquartered in Sanford, North Carolina

Leading Technology for Cleaner Exhaust Air Since 1947

TRION[®]
Air Purification Systems

Free Manuals Download Website

<http://myh66.com>

<http://usermanuals.us>

<http://www.somanuals.com>

<http://www.4manuals.cc>

<http://www.manual-lib.com>

<http://www.404manual.com>

<http://www.luxmanual.com>

<http://aubethermostatmanual.com>

Golf course search by state

<http://golfingnear.com>

Email search by domain

<http://emailbydomain.com>

Auto manuals search

<http://auto.somanuals.com>

TV manuals search

<http://tv.somanuals.com>