

T-SERIES



Model: T4002

FEATURES AND BENEFITS

Trion Models T1001, T2002, T4002, T6002 and T8002 are high efficiency electrostatic modules for in-duct installation where air movement is provided by other external sources.

Power Supply - Solid state unit mounted in external housing which also incorporates door operated electrical safety interlock switch. Neon lamps provide 'Mains On' and 'HT ON' indication. The output of the Ionizer = 12Kv, the Collector = 5.9Kv.

Pre-Filter - Close weave aluminium mesh uniformly distributes fume laden air and collects large particles.

Ionizer Cell - Spiked saw blade type plates are fitted on all Trion T-Series units. They have the advantage over standard tungsten wires for more effective air cleaning efficiency and an almost unlimited life span.

Specifications	T1001	T2002	T4002	T6002	T8002
Airflow rating m ³ /hr	1359-2209	2718-4417	5437-8835	8154-13251	10800-17680
Power Consumption	50 Watts	50 Watts	100 Watts	150 Watts	200 Watts
Electrical Supply	230V / 1ph / 50Hz - Controls 24V				
Cabinet Dimensions mm					
Height	533	533	1066	1599	2132
Width	626	1087	1087	1087	1087
Length	635	635	635	635	635
Duct Dimensions mm					
Height	432	432	965	1498	2034
Width	397	857	857	857	857
Weight (kg)	44	80	160	240	320
No. of Collector Cells	1	2	4	6	8

Model: T4002

SPECIFICATIONS

General

- Cabinet:** 1.0/1.5 mm thickness welded galvanised sheet
- Finish:** High Bake Epoxy Powder
- Airflow:** Horizontal. Right/Left or Left/Right
- Installation:** Free standing, wall or frame mounted
- Electrical Connection:** Direct to junction box on unit
- Pre-/after-filter:** Washable aluminium mesh
- Controls:** On/Off Switch with operating light

Electrostatic Ionizer Cell

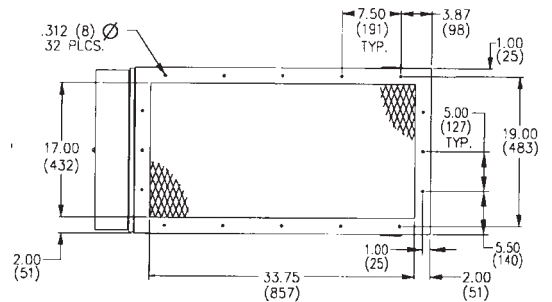
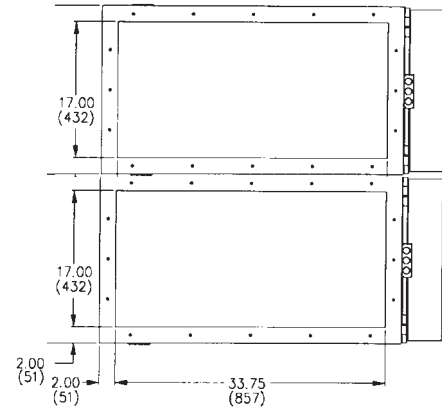
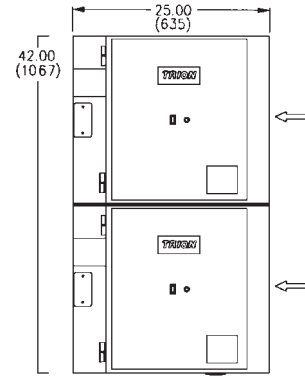
- Ionizer:** Spiked design; 7 stainless steel blades
- Face Area:** 0.15 sq. m
- Insulators:** Ceramic
- Effective Collecting Area:** 5.92 sq. m
- Voltage:** Ionizer - 12 Kv
Collector- 5.9 Kv
- Collector Plate Depth:** 232 mm
- Dimensions:** 460 mm L x 466 mm H x 361 mm D
- Weight:** 14.9 kg

Power Supply

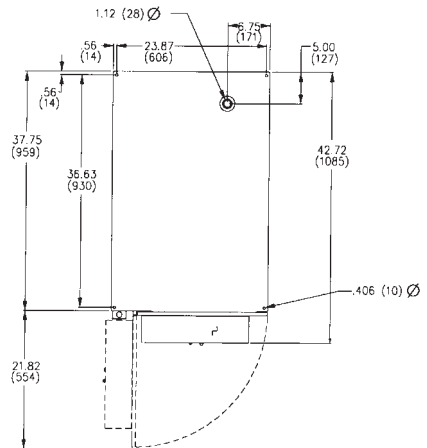
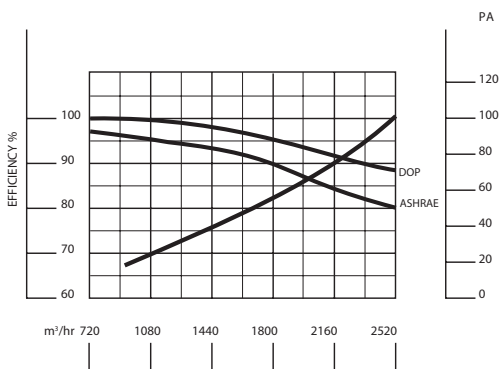
High frequency solid state designed and manufactured by Trion
Built-in short circuit and arc protection

Accessories

- Eye bolts
- Brass drain fitting



Air Flow vs Efficiency for Each Cell



All dimensions shown in brackets are mm.



Free Manuals Download Website

<http://myh66.com>

<http://usermanuals.us>

<http://www.somanuals.com>

<http://www.4manuals.cc>

<http://www.manual-lib.com>

<http://www.404manual.com>

<http://www.luxmanual.com>

<http://aubethermostatmanual.com>

Golf course search by state

<http://golfingnear.com>

Email search by domain

<http://emailbydomain.com>

Auto manuals search

<http://auto.somanuals.com>

TV manuals search

<http://tv.somanuals.com>