

Warranty Registration:
register online today for a chance to win a FREE Tripp Lite product—www.tripplite.com/warranty



Owner's Manual

USB Over Cat5 Extender Kit

Models: B202-150, B202-150-WP



Product Features

- Extends a USB 1.1 signal up to 150 ft. (45 m.) from the source
- No software or drivers required
- No external power required

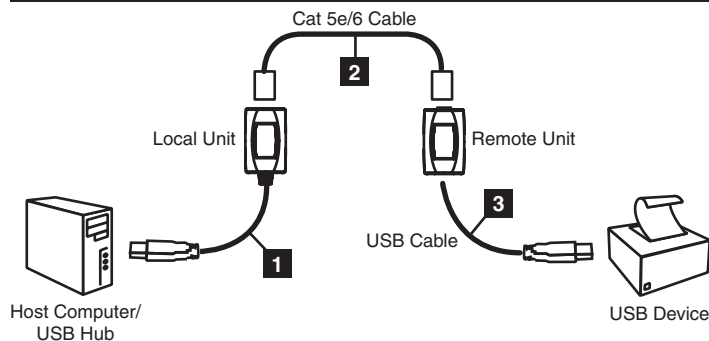
Package Includes

- Local Unit
- Remote Unit
- Wallplate Screws
- Owner's Manual

Optional Accessories

- N001-Series Cat5e Snagless Patch Cables
- N002-Series Cat5e Patch Cables
- N201-Series Cat6 Snagless Patch Cables
- N202-Series Cat6 24 AWG Solid Wire Snagless Patch Cables
- U021-Series USB A/B Device Cables
- U022-Series USB A/B Gold Device Cables

Installation



Note: Diagram shows the B202-150. Connections will be the same for the B202-150-WP, except separate USB A/B device cables will be needed.

- 1** Connect the USB A connector on the B202-150 local unit to the host computer; or, connect the B202-150-WP local unit to the host computer using a user supplied USB device cable.
- 2** Connect the RJ45 ports on the local and remote units using user supplied Cat5e/6 cabling. The Green LED on the local unit will illuminate to indicate it is connected to and receiving power from a host computer. The Orange LED on the local unit will illuminate to indicate it is connected to the remote unit via Cat5e/6 cable. The Orange and Green LEDs on the remote unit will illuminate to indicate it is connected to and receiving power from the local unit.
- 3** Connect the remote unit to the USB device using a user supplied USB device cable.

Warranty & Warranty Registration

1-Year Limited Warranty

TRIPP LITE warrants its products to be free from defects in materials and workmanship for a period of one (1) year from the date of initial purchase. TRIPP LITE's obligation under this warranty is limited to repairing or replacing (at its sole option) any such defective products. To obtain service under this warranty, you must obtain a Returned Material Authorization (RMA) number from TRIPP LITE or an authorized TRIPP LITE service center. Products must be returned to TRIPP LITE or an authorized TRIPP LITE service center with transportation charges prepaid and must be accompanied by a brief description of the problem encountered and proof of date and place of purchase. This warranty does not apply to equipment which has been damaged by accident, negligence or misapplication or has been altered or modified in any way.

EXCEPT AS PROVIDED HEREIN, TRIPP LITE MAKES NO WARRANTIES, EXPRESS OR IMPLIED, INCLUDING WARRANTIES OF MERCHANTABILITY AND FITNESS FOR A PARTICULAR PURPOSE. Some states do not permit limitation or exclusion of implied warranties; therefore, the aforesaid limitation(s) or exclusion(s) may not apply to the purchaser.

EXCEPT AS PROVIDED ABOVE, IN NO EVENT WILL TRIPP LITE BE LIABLE FOR DIRECT, INDIRECT, SPECIAL, INCIDENTAL OR CONSEQUENTIAL DAMAGES ARISING OUT OF THE USE OF THIS PRODUCT, EVEN IF ADVISED OF THE POSSIBILITY OF SUCH DAMAGE. Specifically, TRIPP LITE is not liable for any costs, such as lost profits or revenue, loss of equipment, loss of use of equipment, loss of software, loss of data, costs of substitutes, claims by third parties, or otherwise.

WARRANTY REGISTRATION

Visit www.tripplite.com/warranty today to register the warranty for your new Tripp Lite product. You'll be automatically entered into a drawing for a chance to win a FREE Tripp Lite product!*

* No purchase necessary. Void where prohibited. Some restrictions apply. See website for details.

WARNING!

Use of this equipment in life support applications where failure of this equipment can reasonably be expected to cause the failure of the life support equipment or to significantly affect its safety or effectiveness is not recommended. Do not use this equipment in the presence of a flammable anesthetic mixture with air, oxygen or nitrous oxide.

WEEE Compliance Information for Tripp Lite Customers and Recyclers (European Union)

Under the Waste Electrical and Electronic Equipment (WEEE) Directive and implementing regulations, when customers buy new electrical and electronic equipment from Tripp Lite they are entitled to:

- Send old equipment for recycling on a one-for-one, like-for-like basis (this varies depending on the country)
- Send the new equipment back for recycling when this ultimately becomes waste

Tripp Lite follows a policy of continuous improvement. Product specifications are subject to change without notice.



1111 W. 35th Street, Chicago, IL 60609 USA
www.tripplite.com/support

201011069 • 933015-EN

Free Manuals Download Website

<http://myh66.com>

<http://usermanuals.us>

<http://www.somanuals.com>

<http://www.4manuals.cc>

<http://www.manual-lib.com>

<http://www.404manual.com>

<http://www.luxmanual.com>

<http://aubethermostatmanual.com>

Golf course search by state

<http://golfingnear.com>

Email search by domain

<http://emailbydomain.com>

Auto manuals search

<http://auto.somanuals.com>

TV manuals search

<http://tv.somanuals.com>