



1111 W. 35th Street Chicago, IL 60609
Tel: (773) 869-1111 • Fax: (773) 869-1329
FaxBack: (773) 869-1877 • www.tripplite.com

SR14 Dual Fan Kit

Please read these instructions carefully and follow the installation steps in sequence.

Tools Required

Phillips head screwdriver

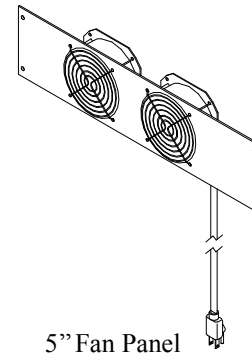
CLIP NUT INSTALLATION

Clip nuts provide mounting points on 19" rack mount equipment rails.

Clip nuts have a front or screw side. Consider which way it should face for ease of access to the screwhead during component installation. (see figure 1)

To remove a clip nut from a rail, insert a flat blade screwdriver or knife under the tab on the front and pry up, freeing the retainer ring from the rail.

1. Select the location at which the fan panel will be installed in the enclosure.
2. Install one clip nut into the top hole at the selected position and then install another one six holes down. (see figure 2)
3. Measure from the bottom of the vertical rail to the top clip nut. Assemble the clip nuts onto the opposite rail at the measured height.
4. Assemble the Fan Panel to the rails with the 10-32 x 1/2 phillips head screws. (see figure 3)



5" Fan Panel

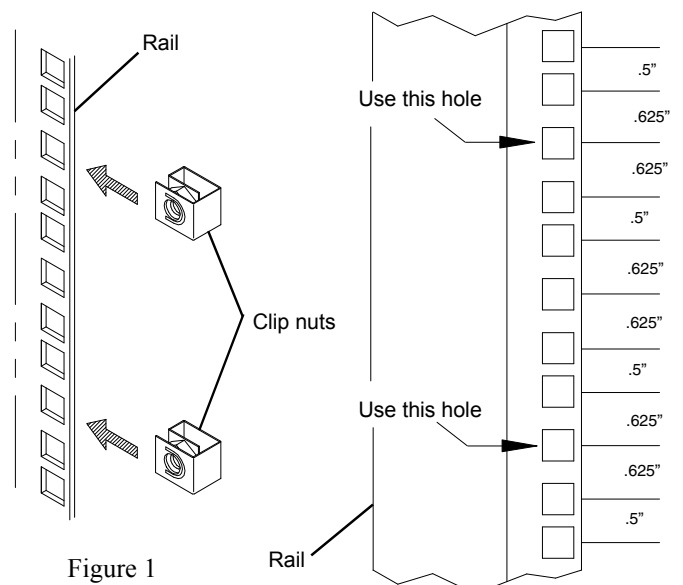


Figure 1

Figure 2

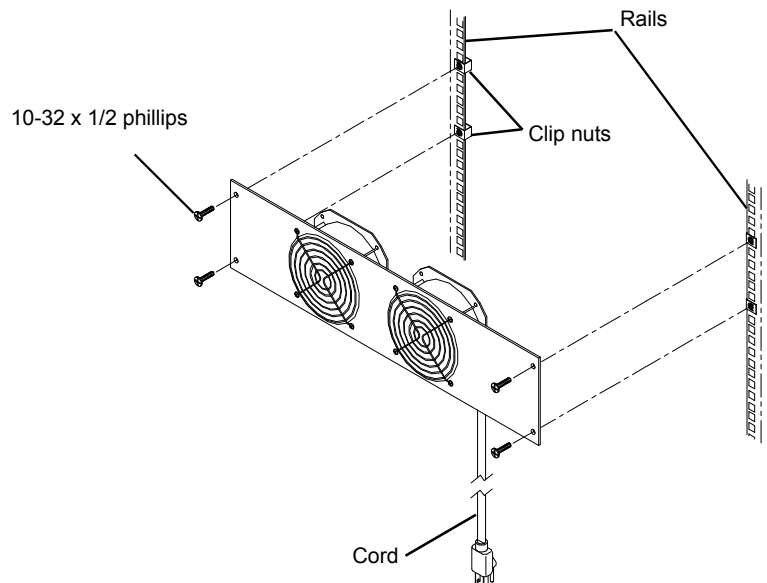


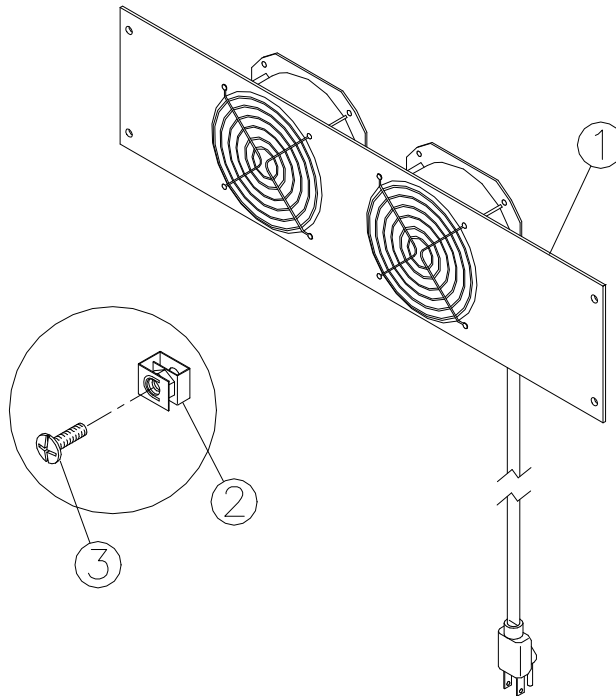
Figure 3



1111 W. 35th Street Chicago, IL 60609
Tel: (773) 869-1111 • Fax: (773) 869-1329
FaxBack: (773) 869-1877 • www.tripplite.com

SR14
Dual Fan Kit

Parts List			
Part Number		Description	Qty.
1	SR14	5" Fan Panel	1
2		#10-32 Clip Nut (Tinnerman #C31758-1032-3B)	4
3		#10-32 x 1/2 Philips Head Screw	4



Free Manuals Download Website

<http://myh66.com>

<http://usermanuals.us>

<http://www.somanuals.com>

<http://www.4manuals.cc>

<http://www.manual-lib.com>

<http://www.404manual.com>

<http://www.luxmanual.com>

<http://aubethermostatmanual.com>

Golf course search by state

<http://golfingnear.com>

Email search by domain

<http://emailbydomain.com>

Auto manuals search

<http://auto.somanuals.com>

TV manuals search

<http://tv.somanuals.com>