

**WARRANTY
REGISTRATION:**
register online today for a
chance to win a FREE Tripp Lite
product—www.tripplite.com/warranty



Owner's Manual

SmartRack™ Accessories

Model: SRCABLELADDER



1 – Introduction	2
1-1 Parts List	2
1-2 Tools Required	2
2 – Important Safety Instructions	2
3 – Installation	3
3-1 Planning	3
3-2 Ladder Modification (Optional)	4
3-3 Ladder Assembly	4
3-4 Installation Across Aisle	5
3-5 Installation Within Row	6
3-6 Ground Connection	7
4 – Storage and Service	8
5 – Warranty and Warranty Registration	8



1111 W. 35th Street, Chicago, IL 60609 USA
+1.773.869.1234 • www.tripplite.com

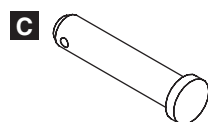
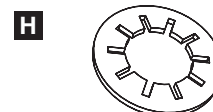
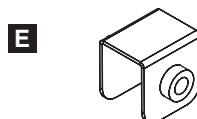
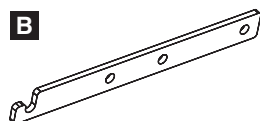
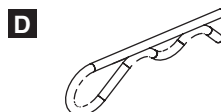
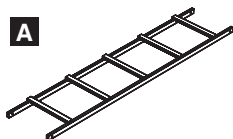
Copyright © 2008 Tripp Lite. All trademarks are the sole property of their respective owners.

1 – Introduction

SRCABLELADDER provides roof-mounted cable routing for Tripp Lite's SmartRack Enclosures, allowing cable bundles to span aisles and/or spaces between enclosures in the same row. *Note: Standard installation of SRCABLELADDER requires Tripp Lite's SRCABLETRAY accessory, sold separately.*

1-1 Parts List

- A** Ladder Sections (2)
- B** Assembly Brackets (6)
- C** Clevis Pins (12)
- D** Cotter Pins (12)
- E** Ground Brackets (2)
- F** M6 Hex-Head Bolts (2)
- G** 24-inch Ground Cables (3)
- H** M6 Lock Washers (4)
- I** M6 Hex Nuts (2)



If any parts are missing, call Tripp Lite for assistance at +1.773.869.1234.

1-2 Tools Required

- 13 mm Wrench or Crescent Wrench
- Tape Measure
- Hacksaw (optional)
- Drill with 3/8-inch Bit (optional)

2 – Important Safety Instructions

SAVE THESE INSTRUCTIONS

This manual contains instructions and warnings that must be followed during the installation and operation of the product described in this manual. Read all instructions and warnings thoroughly before attempting installation. Failure to comply may invalidate the warranty and cause property damage and/or personal injury.

- Install in a controlled indoor environment, away from moisture, temperature extremes, flammable liquids and gasses, conductive contaminants, dust and direct sunlight.
- Provide suitable grounding in accordance with all applicable electrical wiring regulations.
- Do not attempt to climb or walk across any part of the ladder.
- When using tools to cut or drill metal, use eye protection and follow all other safety precautions recommended by the tool manufacturer and required by applicable safety regulations.
- Use caution and wear safety gloves when handling metal parts that have been cut to length. Sharp edges can cause personal injury and property damage.
- Use of this equipment in life support applications where failure of this equipment can reasonably be expected to cause the failure of the life support equipment or to significantly affect its safety or effectiveness is not recommended. Do not use this equipment in the presence of a flammable anesthetic mixture with air, oxygen or nitrous oxide.

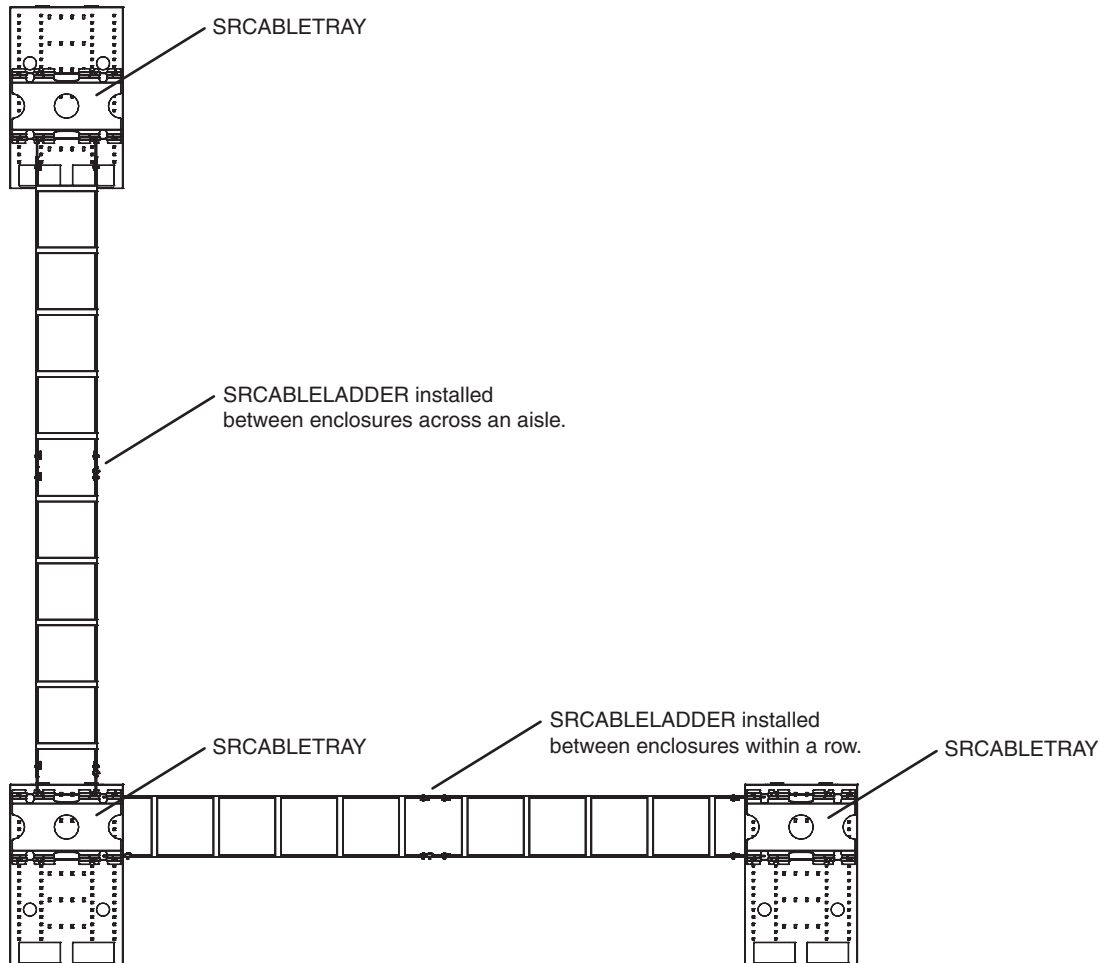
3 – Installation

Note: Prior to installation, you must install the SRCABLETRAY accessory (sold separately) on each enclosure that will be linked by the SRCABLELADDER accessory. For ordering information, call Tripp Lite Customer Service at +1.773.869.1234.

3-1 Planning

SRCABLELADDER can provide enclosure-to-enclosure cable routing across an aisle or within a single row. You can combine multiple SRCABLELADDER and SRCABLETRAY accessories to meet the cable routing needs of almost any configuration of SmartRack Enclosures, but planning and measurement are required to ensure a secure fit. Tripp Lite recommends that you read the entire manual in advance to gain a clear understanding of the installation process and accessory positioning.

Sample Cable Routing Configuration (Top View)



Use a tape measure to determine the distance that SRCABLELADDER will bridge. (Preassembling the ladder sections will allow you to observe their attachment points in place for a more accurate measurement.)

The standard length of SRCABLELADDER is 10 feet. If the standard length and the distance between attachment points differ, adjusting the position of the SRCABLETRAY accessories will allow you to change the distance between attachment points. If necessary, you can use a single ladder section instead of two sections, reducing the overall ladder length to approximately 5 feet. In addition, the assembly brackets at the ends of the ladder sections will allow minor adjustments if you install them without pins, and you can add a few inches to the length of the ladder by using the alternate pin holes for assembly. If the available adjustments will not accommodate the SRCABLELADDER accessory, you must cut one of the ladder sections. See **Section 3-2 Ladder Modification** for instructions. If the SRCABLELADDER accessory will fit without modification, proceed to **Section 3-3 Ladder Assembly**.

3 – Installation (continued)

3-2 Ladder Modification (Optional)

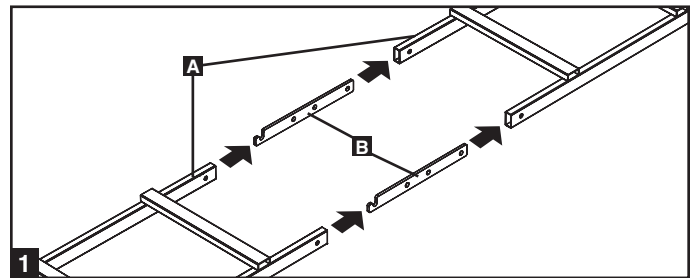
Warning: When using tools to cut or drill metal, use eye protection and follow all other safety precautions recommended by the tool manufacturer and required by applicable safety regulations. Use caution and wear safety gloves when handling metal parts that have been cut to length. Sharp edges can cause personal injury and property damage.

Note: Do not modify the SRCABLELADDER accessory unless you have followed the instructions in **Section 3-1 Planning** and determined that modification is required. If modification is not required, proceed to **Section 3-3 Ladder Assembly**.

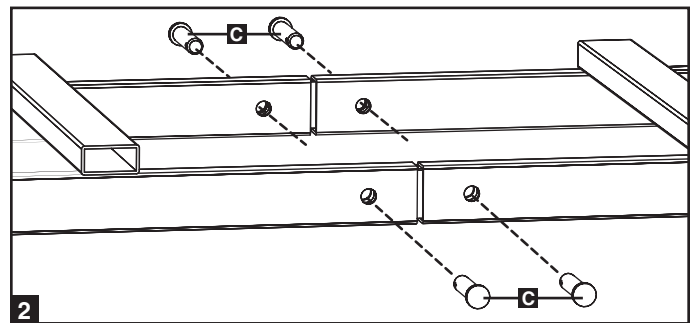
- 1 Measure and mark the cable ladder section that will be cut.
- 2 Use a hacksaw or other metal-cutting tool to cut through the ladder section. Make sure your cut is perpendicular to the length of the ladder and use a metal-cutting tool that will not bend or crush the ladder section.
- 3 (Optional) After cutting, use a drill with a 3/8-inch bit to drill new pin holes in end of the ladder section. Compare the modified end of the ladder section with the unmodified end to determine where holes should be drilled. Make sure that the hole location matches your planning and measurements. You may omit this step, but drilling the pin holes and installing the pins will make the SRCABLELADDER accessory more stable.

3-3 Ladder Assembly

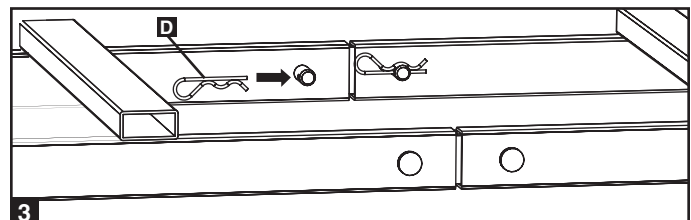
- 1 Join the ladder sections **A** with two assembly brackets **B** by inserting the brackets in the ends of the ladder sections.



- 2 Align the pin holes in the ladder sections with the pin holes in the assembly brackets and insert clevis pins **C** into the pin holes (4 total). *Note: The ladder sections should be flush for a standard installation.*



- 3 After inserting the clevis pins, insert a cotter pin **D** through the hole at the end of each clevis pin. (The straight section of the cotter pin goes through the hole.)



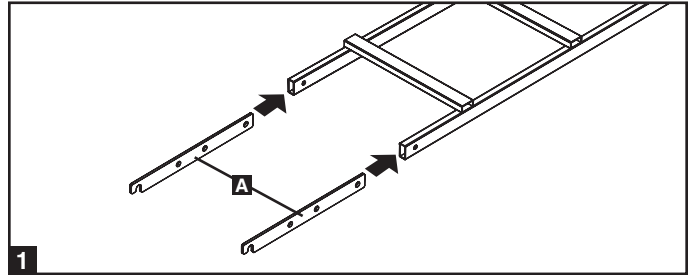
Proceed to **Section 3-4 Installation Across Aisle** or **Section 3-5 Installation Within Row**, depending on your application.

3 – Installation (continued)

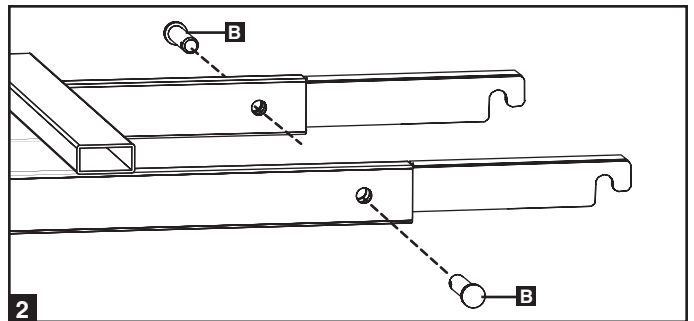
3-4 Installation Across Aisle

Note: Follow the instructions in this section only if the SRCABLELADDER accessory will be installed across an aisle. If the SRCABLELADDER accessory will be installed within a row of enclosures, follow the instructions in Section 3-5 Installation Within Row instead.

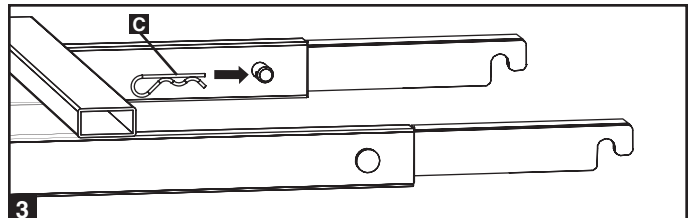
- 1 Insert four assembly brackets **A** into the ends of the ladder. The hooked ends of the brackets should be exposed. When the ladder is oriented so that the ladder's rungs are above the ladder's side rails, the hooked ends of the brackets should point down, as shown in the drawing.



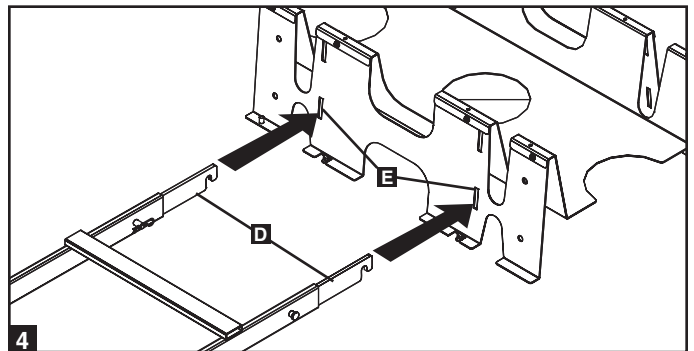
- 2 Align the pin holes in the ladder sections with the pin holes in the assembly brackets and insert clevis pins **B** into the pin holes (4 total). This step may be omitted to provide additional installation flexibility, but installing the pins will make the SRCABLELADDER accessory more stable. **Warning: If you choose not to install the clevis pins, make sure at least 25% of the length of each assembly bracket is inside the ladder.**



- 3 After inserting the clevis pins, insert a cotter pin **C** through the hole at the end of each clevis pin. (The straight section of the cotter pin goes through the hole.)



- 4 Using an assistant, lift the SRCABLELADDER accessory (rungs upward) and insert the exposed hook ends of the assembly brackets **D** into the corresponding slots **E** in the SRCABLETRAY accessories installed at the top of each enclosure. The hooks should fit the slots securely by sliding down to engage the edge of the slot. *Note: There are two levels of slots. Use the slots that match your application best.*

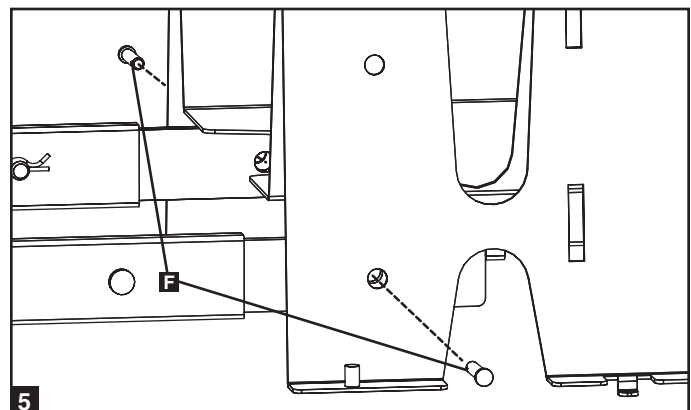
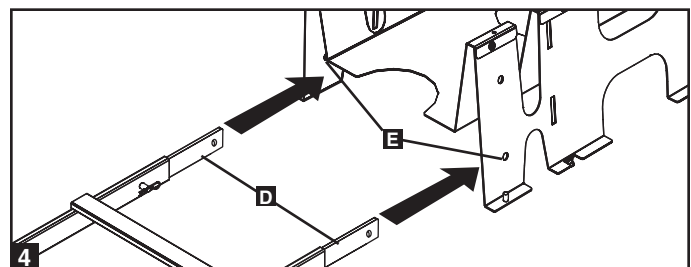
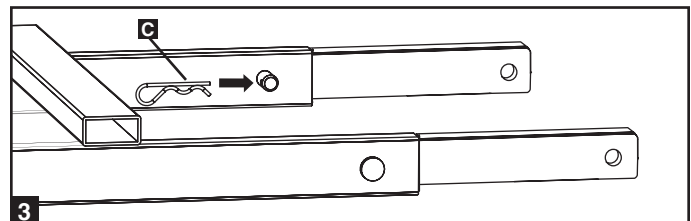
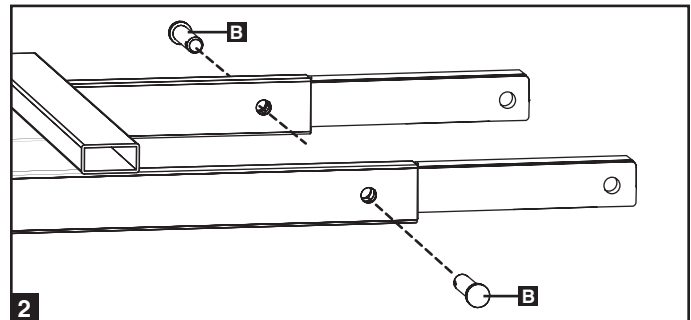
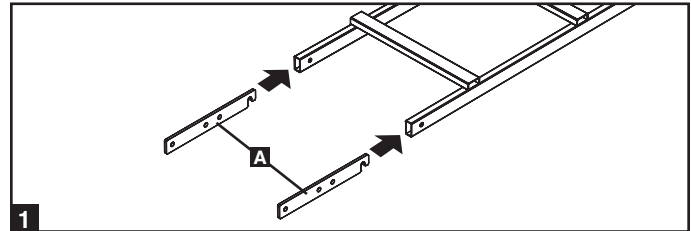


3 – Installation (continued)

3-5 Installation Within Row

Note: Follow the instructions in this section only if the SRCABLELADDER accessory will be installed within a row of enclosures. If the SRCABLELADDER accessory will be installed across an aisle, follow the instructions in Section 3-4 Installation Across Aisle instead.

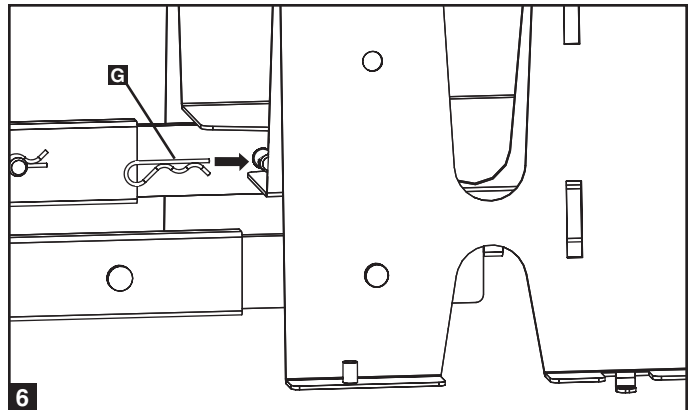
- 1** Insert four assembly brackets **A** in the open ends of the ladder, hooked end first. When the ladder is oriented so that the ladder's rungs are above the ladder's side rails, the hooked ends of the brackets should point down, as shown in the drawing.
- 2** Align the pin holes in the ladder sections with the pin holes in the assembly brackets and insert clevis pins **B** into the pin holes (4 total). This step may be omitted to provide additional installation flexibility, but installing the pins will make the SRCABLELADDER accessory more stable. **Warning: If you choose not to install the clevis pins, make sure at least 25% of the length of each assembly bracket is inside the ladder.**
- 3** After inserting the clevis pins, insert a cotter pin **C** through the hole at the end of each clevis pin. (The straight section of the cotter pin goes through the hole.)
- 4** Using an assistant, lift the SRCABLELADDER accessory (rungs upward) and align the holes at the ends of the assembly brackets **D** with the corresponding holes **E** in the SRCABLETRAY accessories installed at the top of each enclosure. *Note: There are two levels of holes. Use the holes that match your application best.*
- 5** Align the pin holes and insert clevis pins **F** into each of the pin holes (4 total).



3 – Installation (continued)

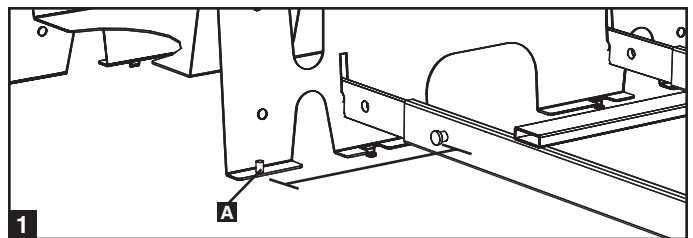
3-5 Installation Within Row (continued)

- 6 After inserting the clevis pins, insert a cotter pin **G** through the hole at the end of each clevis pin. (The straight section of the cotter pin goes through the hole.)

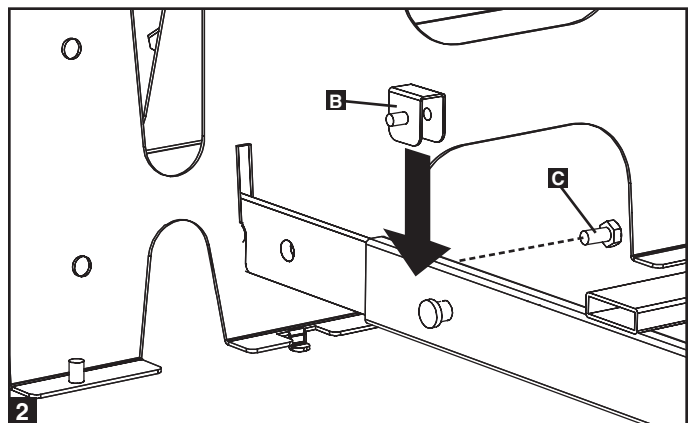


3-6 Ground Connection

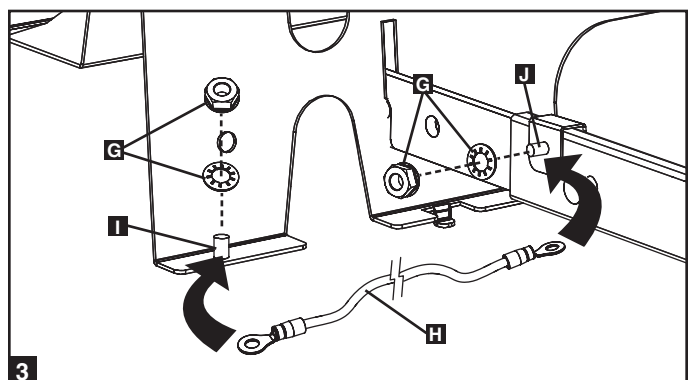
- 1 After installing the SRCABLELADDER accessory, determine where to place ground brackets by noting the distance between one end of the ladder and the grounding post **A** at the corner of the nearest SRCABLETRAY accessory.



- 2 Place a ground bracket **B** near the end of the SRCABLELADDER accessory's leg and use a hex-head bolt **C** to secure it.



- 3 Use the included hex nuts and lock washers **G** to connect one end of the included ground cable **H** to a grounding post **I** at the corner of the nearest SRCABLETRAY accessory and connect the other end to the grounding post **J** of the ground bracket attached to the SRCABLELADDER accessory. Repeat steps 1 to 3 for the other end of the SRCABLELADDER accessory.



4 – Storage and Service

Storage

The unit must be stored in a clean, secure environment with a temperature less than 40° C (104° F) and a relative humidity less than 90% (non-condensing). Store the unit in its original shipping container if possible.

Service

The unit is covered by the limited warranty described in this manual. For more information, call Tripp Lite Customer Service at +1.773.869.1234.

5 – Warranty and Warranty Registration

Limited Warranty

Seller warrants this product, if used in accordance with all applicable instructions, to be free from original defects in material and workmanship for a period of 5 years from the date of initial purchase. If the product should prove defective in material or workmanship within that period, Seller will repair or replace the product, in its sole discretion.

THIS WARRANTY DOES NOT APPLY TO NORMAL WEAR OR TO DAMAGE RESULTING FROM ACCIDENT, MISUSE, ABUSE OR NEGLIGENCE. SELLER MAKES NO EXPRESS WARRANTIES OTHER THAN THE WARRANTY EXPRESSLY SET FORTH HEREIN. EXCEPT TO THE EXTENT PROHIBITED BY APPLICABLE LAW, ALL IMPLIED WARRANTIES, INCLUDING ALL WARRANTIES OF MERCHANTABILITY OR FITNESS, ARE LIMITED IN DURATION TO THE WARRANTY PERIOD SET FORTH ABOVE; AND THIS WARRANTY EXPRESSLY EXCLUDES ALL INCIDENTAL AND CONSEQUENTIAL DAMAGES. (Some states do not allow limitations on how long an implied warranty lasts, and some states do not allow the exclusion or limitation of incidental or consequential damages, so the above limitations or exclusions may not apply to you. This Warranty gives you specific legal rights, and you may have other rights which vary from jurisdiction to jurisdiction.)

Tripp Lite; 1111 W. 35th Street; Chicago IL 60609; USA

WARNING: The individual user should take care to determine prior to use whether this device is suitable, adequate or safe for the use intended. Since individual applications are subject to great variation, the manufacturer makes no representation or warranty as to the suitability or fitness of these devices for any specific application.

Warranty Registration

Visit www.tripplite.com/warranty today to register the warranty for your new Tripp Lite product. You'll be automatically entered into a drawing for a chance to win a FREE Tripp Lite product!*

* No purchase necessary. Void where prohibited. Some restrictions apply. See website for details.

Tripp Lite has a policy of continuous improvement. Specifications are subject to change without notice.

Made in China.



1111 W. 35th Street, Chicago, IL 60609 USA
+1.773.869.1234 • www.tripplite.com

200804136 93-2808

Free Manuals Download Website

<http://myh66.com>

<http://usermanuals.us>

<http://www.somanuals.com>

<http://www.4manuals.cc>

<http://www.manual-lib.com>

<http://www.404manual.com>

<http://www.luxmanual.com>

<http://aubethermostatmanual.com>

Golf course search by state

<http://golfingnear.com>

Email search by domain

<http://emailbydomain.com>

Auto manuals search

<http://auto.somanuals.com>

TV manuals search

<http://tv.somanuals.com>