

Mounting Ears for 2U Rackmount Units (Model: UPSHDEARKIT)

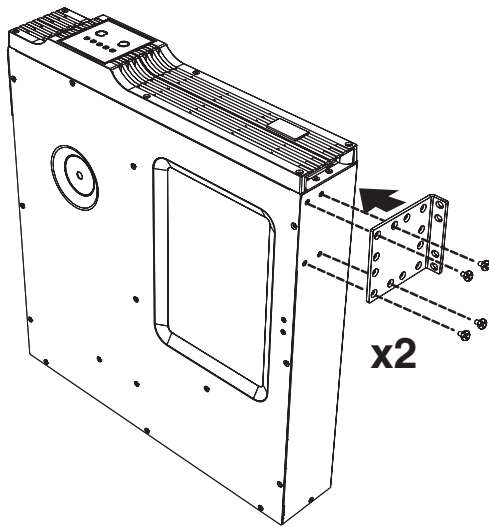


www.triplite.com

1

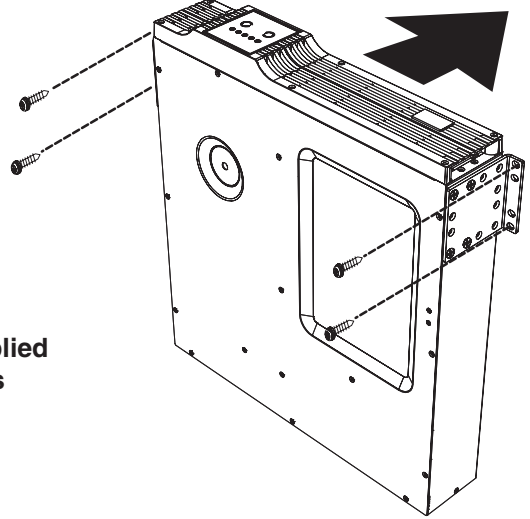
Wallmount

x8



2

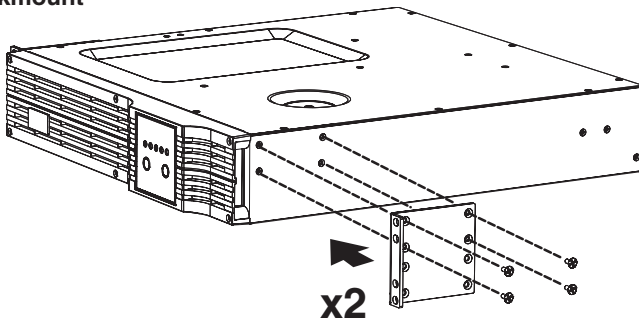
x4
User-Supplied
Screws



1

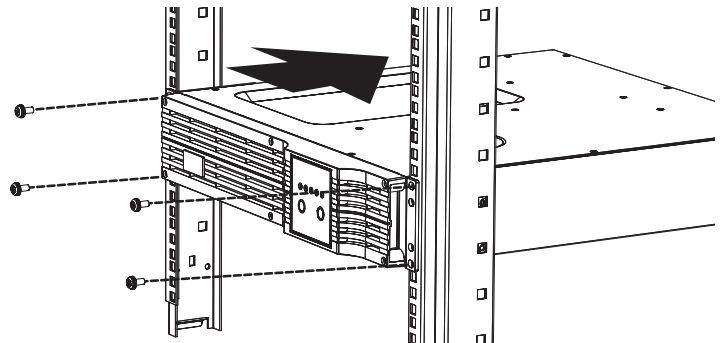
4-Post
Rackmount

x8



2

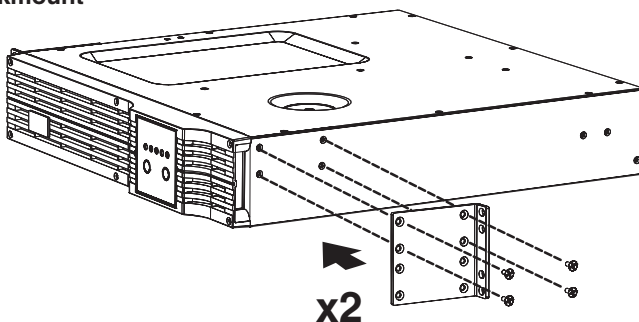
x4



1

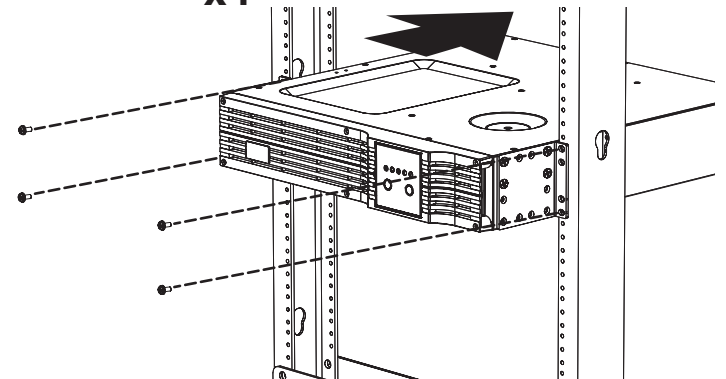
2-Post
Rackmount

x8



2

x4



Free Manuals Download Website

<http://myh66.com>

<http://usermanuals.us>

<http://www.somanuals.com>

<http://www.4manuals.cc>

<http://www.manual-lib.com>

<http://www.404manual.com>

<http://www.luxmanual.com>

<http://aubethermostatmanual.com>

Golf course search by state

<http://golfingnear.com>

Email search by domain

<http://emailbydomain.com>

Auto manuals search

<http://auto.somanuals.com>

TV manuals search

<http://tv.somanuals.com>