

MODEL: SR4POST ADJUSTABLE OPEN RACK

Assembly Instructions

Contents

- 1 -Base (2 Pcs.)
- 2 -Post (4 Pcs.)
- 3 -Side lower members (4 Pcs.)
- 4 -Center lower members (2 Pcs.)
- 5 -Side upper members (4 Pcs.)
- 6 -Center upper members (2 Pcs.)
- 7- Top support bracket (2 Pcs.)

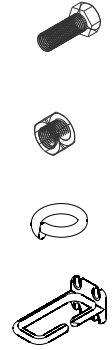
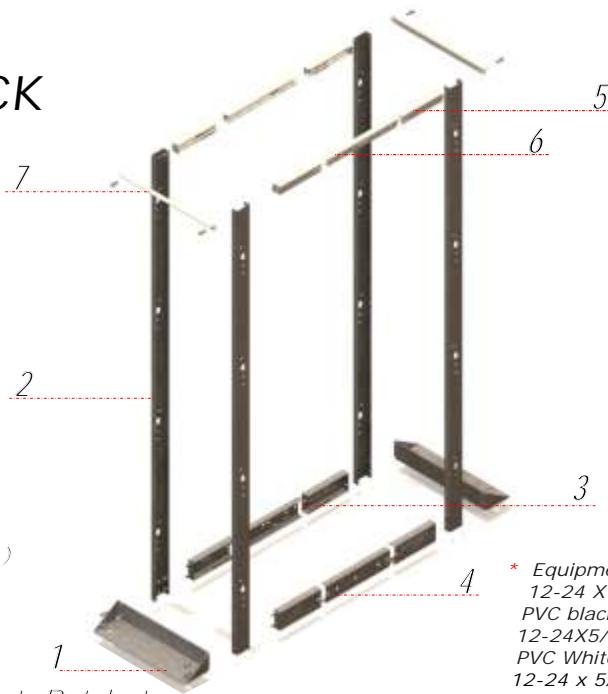
Assembly hardware

- 3/8"-16 UNF hex nut (32 Pcs.)
- 3/8" X 7/8" Spring washer (32 Pcs.)
- 3/8"-16x1" UNF screw (32 Pcs.)

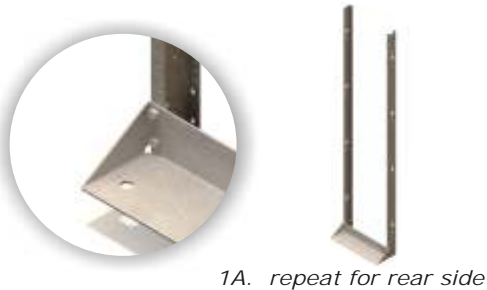
Required Tools

-  9/16" Wrench
-  9/16" Socket, Ratchet

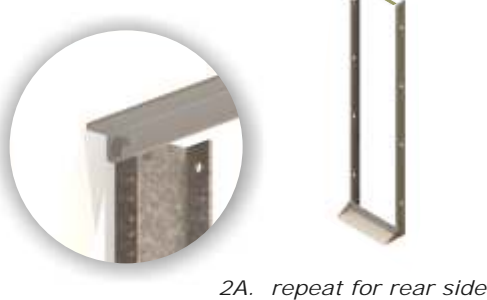
- * Equipment Hardware
- 12-24 X 5/8" Cylindrical head screw (56 Pcs.)
- PVC black flat washer (56 Pcs.)
- 12-24X5/8" Conical screw washer (56 Pcs.)
- PVC White flat washer (56 Pcs.)
- 12-24 x 5/8 Screw (56 Pcs.)
- Cable manager hooks... (32 Pcs w/mounting fasteners)



- 1 Assemble Base & Posts**
* Place base on a hard flat surface. Use 3/8" Screws to attach base to each post



- 2 Assemble top support bracket**
* Verify alignment



- 3 Pre-Assemble upper and lower side members**
* Set desired depth
Use 3/8" Screws and tighten members



- 4 Install Pre-Assembled upper side members as shown**
* Use included nuts. Fasten tightly



- 5 Install Pre-Assembled lower side members as shown**
* Verify alignment before tightening



- 6 Install Cable Manager Hooks as desired**
* Use included plastic fasteners



TRIPP-LITE

1111 W. 35th St, Chicago, IL 60609
(773) 869-1234 www.tripplite.com

Free Manuals Download Website

<http://myh66.com>

<http://usermanuals.us>

<http://www.somanuals.com>

<http://www.4manuals.cc>

<http://www.manual-lib.com>

<http://www.404manual.com>

<http://www.luxmanual.com>

<http://aubethermostatmanual.com>

Golf course search by state

<http://golfingnear.com>

Email search by domain

<http://emailbydomain.com>

Auto manuals search

<http://auto.somanuals.com>

TV manuals search

<http://tv.somanuals.com>