

Owner's Manual

APS 612 PowerVerter®

Inverter/Charger (120V, 60 Hz)

• Voltage- and Frequency-Controlled • Peak Power • High Efficiency

Introduction

2

Important Safety Instructions

4

Configuration & Connection

5

Features

9

Maintenance and Service

11

Warranty

11

Troubleshooting

12

Specifications

13

Español

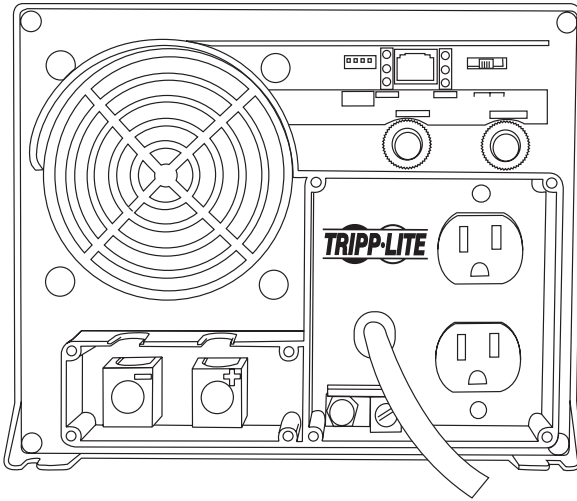
14



1111 W. 35th Street Chicago, IL 60609 USA
Customer Support: (773) 869-1234 • www.tripplite.com

Copyright © 2002 Tripp Lite. PowerVerter® is a registered trademark of Tripp Lite. All rights reserved.
Download from Www.Somanuals.com. All Manuals Search And Download.

Introduction



Congratulations! You've purchased the most advanced, feature-rich integrated inverter/charger on the market. Your APS powers connected equipment, switching manually or automatically from utility power to power inverted from an external battery or batteries. In addition to reliable APS performance, your model provides:

High Efficiency Output

Your APS's advanced circuitry produces a more efficient DC-to-AC conversion, minimizing energy loss. This allows you to run connected equipment longer between battery charges. The APS will maintain this highly-efficient output even as the battery charge decreases.

Automatic Overload Protection

If you overload your APS, it will automatically protect itself and your valuable batteries from damage.

Multi-Function Indicator Lights

Several sets of multi-function indicator lights keep you constantly informed of battery charge levels, fault conditions and APS operation.

Multi-Operation Switches

An array of user-configurable switches gives you convenient options when operating your APS. You can select the voltage level at which your APS's inverter will turn on to maximize equipment protection and minimize battery drain; set your APS for maximum charging efficiency with your battery type; even set up your APS for remote control operation.

3-Stage Battery Charger

Your APS recharges your battery faster than conventional chargers because its three-stage charger profile (Bulk, Absorption and Float) is optimized for the type of battery you use (Wet or Gel).* In addition, the advanced charging system protects against over-charge and over-discharge to ensure a longer service life from your battery.

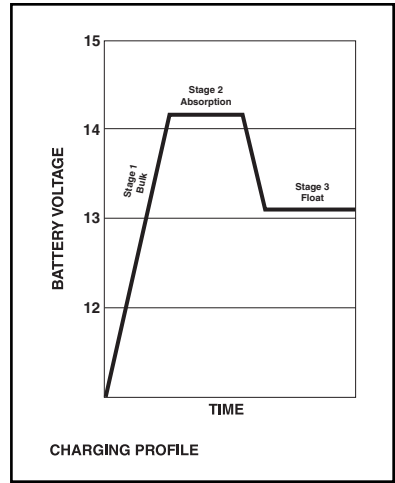
** The Absorption and Float levels vary according to battery type, which can be set to either "Wet" or "Gel" cell.*

Frequency-Controlled Inverter Output

Your APS has frequency-controlled inverter output, which allows devices dependent on AC line frequency (such as computers, VCRs, CD players, tape recorders, clocks and turntables) to operate properly.

Circuit Board Protection

A silicone conformal coating safeguards the circuit boards against moisture.





SAVE THESE INSTRUCTIONS

This manual contains important instructions and warnings that should be followed during the installation, operation and storage of all Tripp Lite APS Systems.

APS Location Warnings

- Install your APS indoors, away from excess moisture or heat, dust or direct sunlight.
- Your APS is NOT waterproof. Contact with water can cause the unit to short circuit and could cause personal injury due to electric shock. Never immerse your APS. Mount it in the driest location available.
- Leave adequate space around all sides of the APS for proper ventilation. The heavier the load of connected equipment, the more heat will be generated by the APS.
- Do not install the APS near magnetic storage media, as this may result in data corruption.

Battery Connection Warnings

- Your APS will not operate with or without utility power until batteries are connected.
- Multiple battery systems must be made up of batteries of the same voltage, age, amp hour capacity and type.
- Keep battery location well ventilated. Explosive hydrogen gas can accumulate near batteries if they are not kept well ventilated.
- Sparks may result during final battery connection. Always observe proper polarity as batteries are connected.
- Do not allow objects to contact the two DC input terminals. Do not short or bridge these terminals together. Serious injury to property or person could result.

Equipment Connection Warnings

- Do not use Tripp Lite APS Systems in life support applications where a malfunction or failure of a Tripp Lite APS System could cause failure or significantly alter the performance of a life support device.
- Do not alter the cord of your APS in a way that would eliminate its connection to ground. Do not use adapters that would eliminate the APS's connection to ground. Connect the input cord of your APS to a properly grounded, 3-wire, 120V 60 Hz power receptacle. Do not plug your APS into itself; this may damage the unit and will void your warranty.
- Do not connect a surge suppressor, line conditioner or UPS to the output of the APS.

Operation Warnings

- Your APS does not require routine maintenance. Do not open your APS for any reason. There are no user-serviceable parts inside.
- Potentially lethal voltages exist within this unit as long as the battery supply and/or AC input are connected. During any service work, the battery supply and AC input cord should therefore be disconnected.
- Do not connect or disconnect batteries while the APS is operating from the battery supply. Dangerous arcing may result.

Configuration

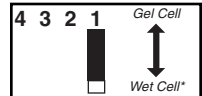
DIP Switches

Using a small tool, set the four “Battery Type / Voltage Point” Configuration DIP Switches (located on the front panel of your APS); see Diagram 4, p. 28.

• Select Battery Type (DIP Switch #1)

CAUTION: The Battery Type DIP Switch setting must match the type of batteries you connect or your batteries may be degraded or damaged over an extended period of time. See “Battery Selection,” page 6 for more information.

Battery Type	Switch Position
Gel Cell (Sealed) Battery	Up
Wet Cell (Vented) Battery	Down*



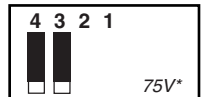
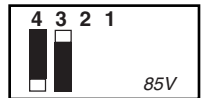
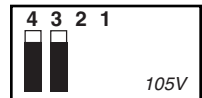
• Select High AC Voltage Switch To Battery Point (DIP Switch #2)

Voltage	Switch Position
145V	Up
135V	Down*



• Select Low AC Voltage Switch To Battery Point (DIP Switches #4 & #3)

Voltage	Switch Position
105V	#4 Up & #3 Up
95V	#4 Up & #3 Down
85V	#4 Down & #3 Up
75V	#4 Down & #3 Down*



Most loads will perform adequately when your APS's High AC Voltage Point DIP Switch #2 is set to 135V and its Low AC Voltage Point DIP Switches #3 and #4 are set to 95V. However, if your APS frequently switches to battery power due to momentary high/low line voltage swings that would have little effect on equipment operation, you may wish to adjust these settings. Your APS will switch to battery due to voltage swings the least if the High AC Voltage Switch to Battery Point is on its highest setting and the Low AC Voltage Switch to Battery Point is on its lowest setting.

* Factory default settings.

Battery Selection

Selecting Battery Type

Select a battery or system of batteries that will provide your APS with proper DC voltage and an adequate amp hour capacity.* Select 'Deep-Cycle' batteries to enjoy optimum performance from your APS. Batteries of either Wet-Cell (vented) or Gel-Cell/Absorbed Glass Mat (sealed) construction are ideal. 6 Volt "golf-cart," Marine Deep-Cycle or 8D Deep-Cycle batteries are also acceptable.**

** Even though APS models are high-efficiency converters of DC voltage, their rated output capacities are limited by the amp-hour size of the external batteries. ** You must set Configuration DIP Switch #1, Group A (Battery Type) to match the type of batteries you connect or your batteries may be degraded or damaged over an extended period of time. See "Configuration," page 5 for more information.)*

Selecting Battery Amp Hour Capacity

1. Add the Wattage Ratings of your connected equipment to determine the Total Wattage Required.*
2. Divide the Total Wattage Required (from Step 1) by the battery voltage to determine the DC Amperes Required.
3. Multiply the DC Amperes Required (from Step 2) by the number of hours you estimate will pass without AC power before your battery can be recharged to determine a Battery Amp-Hours Required Rough Estimate.**
4. Compensate for inefficiency by multiplying your Battery Amp-Hour Required Rough Estimate (from Step 3) by 1.2 to determine how many amp-hours of battery backup (from one or several batteries) you should connect to your APS. Note that the Amp-Hour ratings of batteries are usually given for a 20 hour discharge rate. Actual Amp-Hour capacities are less when batteries are discharged at faster rates: batteries discharged in 55 minutes provide only about 50% of their listed Amp-Hour ratings, while batteries discharged in 9 minutes provide as little as 30% of their Amp-Hour ratings.

** The wattage rating is usually stated in the equipment's manuals or on their nameplates. If your equipment is rated in amperes, convert to watts by multiplying the ampere rating by your nominal AC line voltage (120). ** Your charging amps multiplied by the charging hours must exceed the discharge amp-hours taken from the batteries between charges or you will eventually run down your battery bank.*

Battery Connection

1. Make sure that your APS batteries have proper overcurrent protection.

NEC article 551 requires that you install a recognized UL component fuse block and UL listed fuse within 18 inches of the battery. The fuse's rating must equal or exceed the Minimum DC Fuse Rating listed in your APS model's specifications on page 13.

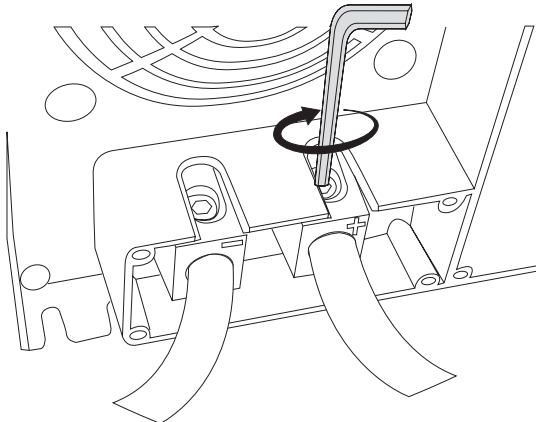
2. Choose a battery configuration appropriate to your batteries.

- **Single Battery Connection:** Refer to Diagram 1, page 27. When using a single battery, its voltage must be equal to the voltage of your APS's Inverter Nominal Input Voltage (see specs).
- **Parallel Battery Connection:** Refer to Diagram 2, page 27. When using multiple batteries in parallel, each battery's voltage must be equal to the voltage of your APS's Inverter Nominal Input Voltage (see specs).
- **Series Battery Connection:** Refer to Diagram 3, page 27. When using multiple batteries in series, all batteries must be equal in voltage and amp hour capacity, and the sum of their voltages must be equal to the voltage of your APS's Inverter Nominal Input Voltage (see specs).

3. Securely fasten the APS's DC connector to the battery connection cables.

For best results, use 1/0 gauge cable for battery connection. Battery connection cable lengths should be as short as possible, and never greater than 20 feet. Using longer cables, or cables of too small a gauge, could result in dangerous overheating or fire.*

You must tighten your battery terminals to approximately 4 Newton-meters (36 Inch Pounds) of torque to create an efficient connection and prevent excessive heating. Insufficiently tightening terminals could void your PowerVerter's warranty.



** APS models are capable of delivering a much higher wattage output for brief periods of time. Wiring should be configured to handle this brief high-current draw. Though your APS is a high-efficiency converter of DC voltage, its rated output capacity is limited by the length and gauge of the wires running from the battery to the APS.*

DC Ground Connection

APS systems must be connected to a grounded, permanent wiring system. For most installations, the negative battery conductor must be bonded to the grounding system at one (and only one) point in the system. All installations must comply with national and local codes and ordinances.

AC Connection

Before AC connection, match the power requirements of your equipment with the power output of your APS to avoid overload.

When figuring the power requirements of your equipment, do not confuse “continuous” power ratings with “peak” power ratings. Electric motors require more power to turn on (“peak power”) than they require to run continuously. “Peak” power ratings are usually 2 to 5 times “continuous” ratings. Most electric motors require “peak power” only when they are first turned on. The electric motors in equipment such as refrigerators and sump pumps, however, constantly turn on and off according to demand. These motors require “peak power” at multiple, unpredictable times during their operation.

You must use 15A branch circuit protection (user-supplied) on the input circuit.

AC Input Electrical Connection

Plug the line cord into an outlet providing 120V AC, 60 Hz. power. Make sure that the circuit you connect your APS to has adequate overload protection, such as a circuit breaker or a fuse.

AC Output Electrical Connection

Simply plug your equipment into the unit’s AC receptacles.

Set Operating Mode Switch

- Switch to “AUTO/REMOTE” when you are using your connected equipment. **ADVANTAGE:** APS will automatically switch from providing connected equipment with utility power to providing connected equipment with power inverted from external batteries when utility power is unavailable.

Note: when the switch is in the "AUTO/REMOTE" position, you can remotely monitor and control your APS by connecting a Tripp Lite Remote Control Module (sold separately) to the APS's RJ45 Remote Module Connector.

- Switch to “CHARGE ONLY” when you are not using your connected equipment. (**WARNING!** APS will not provide battery backup!) **ADVANTAGES:** A) Continues to charge battery when power is present, and B) Turns OFF the APS’s inverter, preventing battery drain during blackouts or brownouts.
- Switch to “OFF” to completely turn off the APS and connected equipment or to reset the APS after it has shut down due to overload or overheating.

Switches, Indicator Lights & Other Features

(See Diagram 4, p. 28, to locate the following switches, indicator lights and other features.)

Switches

1. **Operating Mode Switch:** This switch selects the APS operating mode (either “AUTO/REMOTE”, “OFF” or “CHARGE ONLY”). See “Set Operating Mode Switch”, p. 8 to select the appropriate setting for this switch.
2. **“CONFIGURATION SWITCHES”—DIP Switches:** These four switches must be set for the type of battery your APS will be connected to and the voltage points at which your APS will switch to battery power. See “Configuration”, p. 5 to select the optimum settings for these switches.

Indicator Lights

3. **“LINE”:** This green light will turn continuously ON whenever connected equipment is receiving utility-supplied AC power and your APS is set to “AUTO/REMOTE”, meaning that it will automatically switch to battery power if AC power becomes unavailable. It will flash intermittently when connected equipment is receiving utility power and your APS’s Operating Mode Switch is set to “CHARGE ONLY” to indicate that the APS’s inverter is OFF and that the APS will not supply power from its batteries.
4. **“INV”:** This yellow light will turn continuously ON whenever connected equipment is receiving battery-supplied AC power. It will flash if the APS does not detect the minimum load necessary to activate the inverter.
5. **“LOAD”:** When your UPS is receiving utility-supplied AC power, this red light will turn continuously ON when the APS’s load is between 80% and 110% of capacity, to alert you that the inverter might not be able to support the load. The light will flash intermittently after the APS’s inverter shuts down due to a severe overload or overheating. If this happens, turn Operating Mode Switch OFF. Remove the overload and let the unit cool. You may then turn the APS ON after it cools.
6. **“BATTERY HI/MED/LO”:** These THREE lights will turn ON in several sequences to show the approximate charge level and voltage of your connected battery bank and alert you to several fault conditions:

BATTERY CHARGE INDICATION (Approximate)

Indicator	Charger Function (LINE ON)	Battery Level (INV ON)
Green	Float	High Charge State
Green & yellow	Absorption (50% Done)	High/Medium Charge State
Yellow	Absorption	Medium Charge State
Yellow & red	Bulk (50% Done)	Medium/Low Charge State
Red	Bulk	Low Charge State
All three lights off	Charger Inhibited	Very Low Charge State
Flashing green	Equalizing Charge	N/A
Flashing red	N/A	Low Battery Shutdown
All three lights flash slowly*	Excessive discharge; check batteries	
All three lights flash quickly**	Overcharge; check charger	

* Approximately 1/2 second on, 1/2 second off. See Troubleshooting section.

** Approximately 1/4 second on, 1/4 second off. See Troubleshooting section.

Other Features

7. **DC Power Terminals:** These terminals should be wired to your battery terminals. See “Battery Connection”, p. 7 for instructions.
8. **AC Input Line Cord: NEMA 5-15P fixed:** This cord should be plugged into a 120V, 60 Hz, dedicated 15 Amp AC utility outlet. DO NOT plug the cord into the APS’s AC receptacles.
9. **AC Receptacles: NEMA 5-15R:** These receptacles allow you to connect equipment that would normally be plugged into a utility outlet.
10. **Resettable Circuit Breakers:** These circuit breakers protect your APS against damage due to input or output overload. The Input (Charge) Breaker helps protect the charge input only. The Output (Load) Breaker helps prevent output overload. If a circuit breaker trips, wait 1 minute to allow components to cool before resetting it. If the Output Breaker trips, remove overload by plugging in equipment with a lower total wattage draw before resetting.
11. **Remote Module Connector:** The front panel has an RJ45 receptacle for use with the optional remote module. See the installation instructions packed with the remote module.
12. **Mounting Flanges:** Use mounting flanges (located on the front of unit) and mounting slots (located on the bottom rear of the unit) to permanently mount your APS. Mount to a sturdy, horizontal surface using user-supplied screws.

Maintenance & Service

Maintenance

Your APS model requires no maintenance but should be kept dry at all times. Periodically check all connections both at the unit and at the battery. Clean and tighten connections as necessary.

Service

If returning your APS to Tripp Lite, please pack the APS carefully, using the ORIGINAL PACKING MATERIAL that came with the unit. Enclose a letter describing the symptoms of the problem. If the APS is within the warranty period, enclose a copy of your sales receipt.

Limited Warranty

Tripp Lite warrants its products to be free from defects in materials and workmanship for a period of one year (domestic) or 120 days (export) from the date of initial purchase. Tripp Lite's obligation under this warranty is limited to repairing or replacing (at its sole option) any such defective products. To obtain service under this warranty you must obtain a Returned Material Authorization (RMA) number from Tripp Lite or an authorized Tripp Lite service center. Products must be returned to Tripp Lite or an authorized Tripp Lite service center with transportation charges prepaid and must be accompanied by a brief description of the problem encountered and proof of date and place of purchase. This warranty does not apply to equipment which has been damaged by accident, negligence or misapplication or has been altered or modified in any way. This warranty applies only to the original purchaser who must have properly registered the product within 10 days of purchase.

EXCEPT AS PROVIDED HEREIN, TRIPP LITE MAKES NO WARRANTIES, EXPRESS OR IMPLIED, INCLUDING WARRANTIES OF MERCHANTABILITY AND FITNESS FOR A PARTICULAR PURPOSE. Some states do not permit limitation or exclusion of implied warranties; therefore, the aforesaid limitation(s) or exclusion(s) may not apply to the purchaser.

EXCEPT AS PROVIDED ABOVE, IN NO EVENT WILL TRIPP LITE BE LIABLE FOR DIRECT, INDIRECT, SPECIAL, INCIDENTAL OR CONSEQUENTIAL DAMAGES ARISING OUT OF THE USE OF THIS PRODUCT, EVEN IF ADVISED OF THE POSSIBILITY OF SUCH DAMAGE. Specifically, Tripp Lite is not liable for any costs, such as lost profits or revenue, loss of equipment, loss of use of equipment, loss of software, loss of data, costs of substitutes, claims by third parties, or otherwise.

Tripp Lite has a policy of continuous improvement. Specifications are subject to change without notice.

Troubleshooting

Try these remedies for common APS problems before calling for help. Call Tripp Lite Customer Service at (773) 869-1234 before returning your APS for service.

SYMPTOM	PROBLEMS	CORRECTIONS
APS does not provide AC output (AC input present)	APS not properly connected to utility power.	Connect APS to utility power.
	Circuit breaker is tripped.	Reset circuit breaker.
	APS shutdown due to excessive battery voltage, indicating possible charger failure. Line disconnected to prevent permanent battery damage.	Turn APS "OFF". Wait 1 minute and switch to "AUTO/REMOTE".
	APS is overheated.	Check air circulation near vents.
	APS is set to "OFF"	Set APS to "AUTO/REMOTE" or "CHARGE-ONLY".
APS does not provide AC output (AC input absent)	Operating Mode Switch is set to "CHARGE ONLY".	Set Operating Mode Switch to "AUTO/REMOTE."
	Load or High Temperature fault.	Turn APS "OFF". Wait 1 minute. Remove overload. Check that vents are clear for air circulation. Switch to "AUTO/REMOTE".
	Excessive battery discharge.	Check battery condition.
APS will not charge the battery (AC input present)	Connected batteries are dead. (All Battery Indicator lights will be flashing slowly.)	Check and replace old batteries.
	Battery fuse* is blown.	Check and replace fuse.
	Battery cabling* is loose or degraded.	Check and tighten or replace cabling.
	APS charger failure.	Turn APS "OFF". Wait 1 minute and switch to "AUTO/REMOTE". If automatic shutdown occurs, call Tripp Lite Customer Service.
All APS Indicator Lights are OFF (AC input absent)	This is normal if the APS is set to "CHARGE-ONLY"	—
All APS Indicator Lights are OFF (AC input is present or absent)	Excessive battery discharge.	Use an auxiliary charger* to raise battery voltage. Check external battery connections and fuse. Automatically resets when condition is cleared.
All APS Battery Indicator Lights are slowly flashing.	Excessive battery discharge.	Use an auxiliary charger* to raise battery voltage. Automatically resets when condition is cleared.
APS "LOAD" Battery Light flashing	Inverter shutdown because load is too high or temperature is too high.	Turn APS "OFF". Wait 1 minute. Remove overload. Check that vents are clear for air circulation. Switch to "AUTO/REMOTE".
All APS Battery Lights are rapidly flashing	High battery voltage shutdown during battery charging.	Check all charging sources. Reset by cycling control switch to "OFF" then to "AUTO/REMOTE" or "CHARGE-ONLY".
APS red "BATTERY HI/MED/LO" light is flashing	Inverter shutting down due to low battery charge.	Prepare for loss of power to connected equipment.

*User supplied

Specifications

MODEL:	APS612
SERIES:	AGAP60012MVJ
Weight:	38.0 lbs.
INVERTER	
Continuous power (@ 20° C):	600 W
Surge power:	1200 W
Efficiency (Full Load):	90%
Minimum/Maximum DC Fuse Rating:	100A/200A
DC Input Current @ Nominal V DC Full Load	56 A
Nominal Input Volts:	12 VDC
DC Input Voltage Range:	10-15 VDC
Nominal Output Volts:	120 VAC ±5%
Nominal Output Frequency:	60 Hz ±.3%
BATTERY CHARGER	
Charging Capacity DC:	20A
Maximum Cable Length	20 ft.
Absorption Volts VDC:	Selectable 14.4 V*/14.2 V Wet*/Gel
Float Volts VDC (wet/gel):	13.3 V (13.6 V)
Input Voltage AC:	120 V
Input Current AC:	4.2 A
LINE VAC OPERATION	
Minimum Input AC Volts:	Selectable 75*, 85, 95, or 105 VAC
Maximum Input AC Volts (Continuous, Charger at Maximum):	Selectable 135* or 145 VAC
Maximum Input Current (Continuous, Charger at Maximum):	9.5 A
Input Frequency:	60 Hz ±3%
Maximum Output AC (Continuous)	5 A
Automatic Transfer Time:	<25 ms

* Factory default setting.

Note on Labelling

Two symbols are used on the APS labels.

V~ : AC Voltage

V== : DC Voltage

Manual de Operación

APS 612 PowerVerter®

Inversores / Cargadores de Energía (120V, 60 Hz)

• Con Voltaje y Frecuencia Controlada • Energía de Cresta • Alta Eficiencia

Introducción

15

Seguridad

17

Configuración y Conexión

18

Características

22

Mantenimiento y Servicio

24

Garantía

24

Resolución de Problemas

25

Especificaciones

26

English

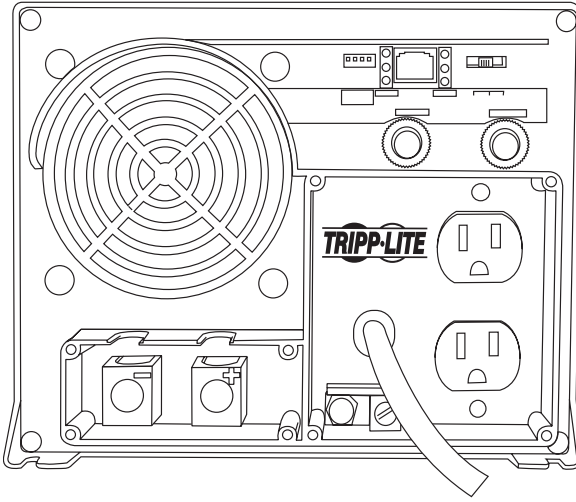
1



1111 W. 35th Street Chicago, IL 60609 USA
Servicios a Clientes: (773) 869-1234 • www.tripplite.com

Copyright © 2002 Tripp Lite. Propiedad Literaria de Tripp Lite 2002. Reservados todos los derechos.

Introducción



¡Felicitaciones! Usted ha adquirido el inversor / cargador de batería integrado más avanzado y con más características en el mercado. Este modelo APS suministrará a sus equipos energía de CA mientras ésta esté presente. Durante un apagón, caída o subida de voltaje, esta unidad cambia automáticamente a la batería externa para suministrar energía de CA de voltaje y frecuencia controlada.

Salida de Alta Eficiencia

La circuitería avanzada de este sistema APS produce una conversión de alta eficiencia de CD a CA, minimizando así la pérdida de energía. Esto le permite a usted operar los equipos conectados por períodos prolongados entre carga y carga de las baterías. Este sistema mantendrá la salida de alta eficiencia aún mientras disminuye la carga de las baterías.

Protección Automática contra Sobrecargas

Si usted sobrecarga este APS, la unidad protegerá automáticamente sus baterías y a sí misma contra daños.

Luces Indicadoras de Funciones Múltiples

Varios juegos de luces indicadoras de funciones múltiples le mantienen constantemente informado acerca de los niveles de carga de la batería, fallas y operación del sistema APS.

Interruptores de Operaciones Múltiples

Una variedad de interruptores ajustables por el usuario le ofrecen convenientes opciones para operar el sistema APS. Usted puede seleccionar el nivel de voltaje de activación del inversor del APS para maximizar la protección de sus equipos y minimizar el desgaste de las baterías; regular el APS para incrementar la eficiencia de recarga de acuerdo al tipo de baterías utilizadas; y hasta activar la operación de su APS por control remoto.

Cargador Avanzado de 3 Etapas para Baterías

Este sistema APS recargará sus baterías más rápido que otros cargadores convencionales debido a que su perfil de recarga de 3 etapas (Alimentación en Masa, Absorción y Alimentación por Flotador) provee óptimo rendimiento independientemente del tipo de baterías que usted utilice (Húmeda o de Gel).* Además, el sistema avanzado de recarga protege contra exceso de carga y descarga para prolongar la vida útil de sus baterías.

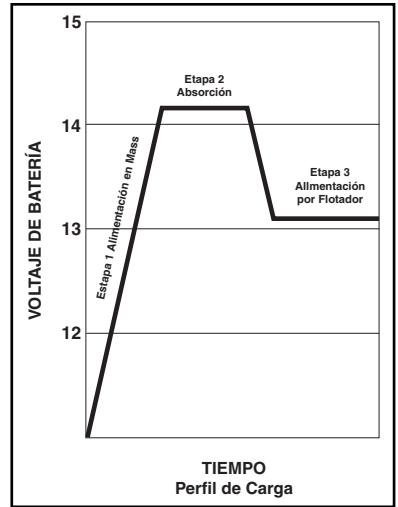
** Los niveles de Absorción y Alimentación por Flotador varían de acuerdo al tipo de baterías conectadas. Esta unidad puede ser regulada para operar con Baterías Húmedas o de Gel.*

Inversor con Salida de Frecuencia Controlada

Todos los modelos APS incluyen Inversores con Salida de Frecuencia Controlada para permitir que los equipos que dependen de la frecuencia de la línea de CA (como computadoras, grabadoras de video, lectores de CD, grabadoras de audio, relojes eléctricos y tocadiscos) operen correctamente.

Tarjetas de Circuitos Protegidas

Tarjetas de circuitos son protegidas por revestimiento de conformación de silicona transparente.





GUARDE ESTAS INSTRUCCIONES

Este manual contiene advertencias e instrucciones importantes que deben seguirse durante la instalación, operación y almacenamiento de todos los Sistemas APS de Tripp Lite.

Precauciones Sobre la Ubicación del APS

- Instale este sistema bajo techo, lejos de calor o humedad excesivos, polvo o luz solar directa.
- Deje suficiente espacio alrededor del APS para permitir ventilación adecuada.
- No instale este sistema APS cerca de dispositivos magnéticos de memoria ya que esto puede producir la corrupción de los datos grabados.
- Los modelos APS no son impermeables o resistentes al agua. El contacto con agua puede causar cortocircuitos y lesiones corporales debido a choques eléctricos. No sumerja este APS. Instálelo en el lugar más seco posible.

Precauciones Sobre la Conexión de Baterías

- El APS no funcionará, con alimentación de la red o sin ella, hasta que se conecten las pilas.
- Los sistemas múltiples de baterías deben estar formados por baterías del mismo tipo, voltaje, edad y capacidad en amperios/hora.
- Mantenga ventilación adecuada. Gases hidrógenos explosivos pueden acumularse cerca de las baterías si el área no está bien ventilada.
- Durante la conexión final de las baterías pueden producirse chispas.
- No permita que ningún objeto foráneo entre en contacto con las terminales de entrada de CD. No conecte estas terminales entre sí con ningún objeto. Esto puede producir serias lesiones corporales o daños a objetos.

Precauciones Sobre la Conexión de Equipos

- No utilice los Sistemas APS de Tripp Lite en aplicaciones para el soporte de la vida humana donde una falla del APS pueda causar anomalías o alterar significativamente el rendimiento del dispositivo de soporte de vida.
- No conecte supresores de sobretensiones transitorias, reguladores de voltaje, acondicionadores de línea o no-breaks / sistemas UPS a los receptáculos de salida de esta unidad.
- No modifique el enchufe del APS de forma tal que se elimine la conexión a tierra. No use adaptadores de potencia que eliminen la conexión a tierra del enchufe. Conecte el APS exclusivamente a tomas de corriente alterna debidamente conectadas a tierra. No conecte el APS a sí mismo; con ello se dañaría el APS y quedaría sin efecto la garantía.

Precauciones de Operación

- Este sistema APS no requiere mantenimiento rutinario alguno. No abra este sistema APS por ninguna razón. No existen partes interiores que puedan ser reparadas por el usuario.
- Existen voltajes potencialmente letales dentro de esta unidad mientras las baterías estén conectadas. Durante cualquier procedimiento de servicio, siempre deben desconectarse las baterías y la entrada de CA (cuando sea necesario).
- No conecte o desconecte baterías mientras el sistema APS esté operando con la energía de las baterías.

Configuración

Interruptores DIP

Usando una herramienta pequeña, ajuste los 4 Interruptores DIP de Configuración, Grupo A: "Battery Type / Voltage Point" (tipo de baterías / punto de voltaje) ubicados en el panel frontal del sistema APS (vea el Diagrama 4, página 28) para seleccionar el tipo de baterías que desea utilizar y programar el rango de voltaje para el cambio automático del sistema APS a energía de batería.

• Seleccione el Tipo de Baterías (Interruptor DIP No. 1)

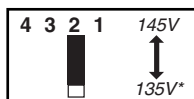
PRECAUCION: El Interruptor DIP "Battery Type" (tipo de baterías), para seleccionar el tipo de baterías, debe ser colocado en la posición correcta y de acuerdo al tipo de baterías utilizadas para evitar daños o desgaste durante un período extendido de tiempo. Refiérase a la sección "Selección de Baterías" en la página 19 para obtener más información.

Tipo de Batería	Posición del Interruptor
Batería de Gel (Sellada)	Arriba
Batería Húmeda (Ventilada)	Abajo*



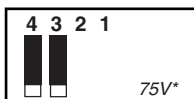
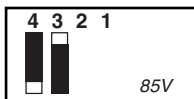
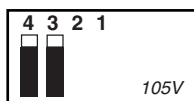
• Seleccione el Punto Alto de Voltaje de CA para el Cambio a Batería (Interruptor DIP No. 2)

Voltaje	Posición del Interruptor
145V	Arriba
135V	Abajo*



• Seleccione el Punto Bajo de Voltaje de CA para el Cambio a Batería (Interruptores DIP No. 4 y No. 3)

Voltaje	Posición del Interruptor
105V	#4 Arriba & #3 Arriba
95V	#4 Arriba & #3 Abajo
85V	#4 Abajo & #3 Arriba
75V	#4 Abajo & #3 Abajo*



La mayoría de las cargas funcionarán correctamente cuando el Interruptor DIP No. 2 para el ajuste del Punto Alto de Voltaje de CA está regulado a 135 V y los Interruptores DIP No. 3 y No. 4 para el ajuste del Punto Bajo de Voltaje de CA están regulados a 95 V. No obstante, si su sistema APS cambia frecuentemente a batería debido a las fluctuaciones de alto / bajo voltaje que no interfieren con la operación de sus equipos, usted puede cambiar estos ajustes. Incrementando el Punto Alto de Voltaje de CA para el Cambio a Batería y/o disminuyendo el Punto Bajo de Voltaje de CA para el Cambio a Batería, usted puede reducir el número de veces que su sistema APS cambia a batería debido a fluctuaciones de voltaje.

* Regulación de fábrica

Selección de Baterías

Seleccione el Tipo de Batería(s)

Seleccione una batería o sistema de baterías que suministre voltaje apropiado de CD y capacidad adecuada en amperios / hora al sistema APS.* Seleccione baterías de ciclo profundo para obtener el máximo rendimiento de su sistema APS. Las baterías húmedas (ventiladas) o de gel / fibra de vidrio absorbido (selladas) son ideales. Las baterías de 6 voltios ("golf-cart"), ciclo profundo marino o ciclo profundo 8D también son aceptables.**

** Aún cuando los sistemas APS son inversores de energía de alta eficiencia, su capacidad de salida será limitada por el tamaño en amperios/hora de sus baterías externas. ** Usted debe ajustar el Interruptor DIP No. 1, Grupo A (tipo de batería) de acuerdo con el tipo de baterías que desea conectar. De lo contrario, las baterías pueden sufrir daños o desgaste excesivo durante un prolongado periodo de tiempo. Refiérase a la sección "Configuración" en la página 18 para obtener más información.*

Seleccione la Capacidad en Amperios/Hora de las Baterías

1. Sume los índices de demanda eléctrica de los equipos que desea conectar para determinar el Total Requerido en Vatios.*
2. Divida el Total Requerido en Vatios (obtenido en el paso 1) entre el voltaje de entrada del sistema APS para determinar el Índice de Amperios de CD Requerido.
3. Multiplique el Índice de Amperios de CD Requerido (obtenido en el paso 2) por el número de horas (estimado) que pasará sin energía de CA antes de que las baterías puedan recargarse, para determinar un Estimado Aproximado de Capacidad en Amperios-Hora.**
4. La capacidad de baterías en Amperios/Hora se indica usualmente para una intensidad de descarga de 20 horas. La capacidad actual en Amperios/Hora es menor cuando la batería se descarga a mayor intensidad. Compense por la ineficacia multiplicando el Estimado Aproximado en Amperios-Hora de su Batería (obtenido en el Paso 3) por 1.2 para determinar cuantos amperios-hora de respaldo de batería (suministrados por una o varias baterías) debe conectar al APS. Tenga en cuenta que las capacidades en Amperios-Hora de las baterías usualmente se expresan para un índice de descarga de 20 horas. Las capacidades verdaderas en Amperios-Hora disminuyen cuando las baterías se descargan a mayor velocidad: las baterías que se descargan en 55 minutos proporcionan solamente un 50% de la capacidad nominal, mientras que las baterías que se descargan en 9 minutos proporcionan solamente 30% de su capacidad nominal en Amperios-Hora.

** La demanda eléctrica de los equipos electrónicos normalmente se encuentra en el manual de operación o en la placa de identificación. Si este índice está expresado en amperios, conviértalos a vatios multiplicando los amperios por el voltaje nominal de línea (120). ** El resultado de la multiplicación de los amperios de carga y las horas de carga debe exceder los amperios/hora de descarga tomados de las baterías entre carga y carga. De lo contrario, eventualmente se desgastará totalmente su banco de baterías.*

Conexión de Baterías

1. Confirme que las baterías del APS cuenten con adecuada protección para sobrecargas de corriente.

El artículo NEC 551 requiere que usted instale un bloque de fusibles de componente UL reconocido y un fusible UL listado a 18 pulgadas de la batería. La capacidad en amperios del fusible debe ser igual o superior a la capacidad mínima de amperios de CC del fusible que se muestra en la ficha técnica del modelo del APS en la página 26.

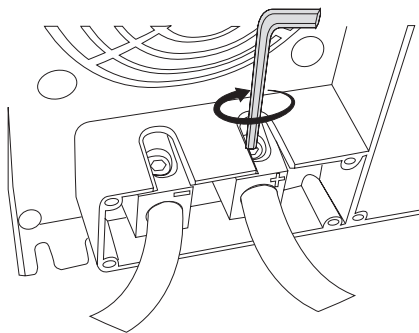
2. Elija una configuración de batería apropiada para las baterías.

- Conexión de una sola batería: Refiérase al Diagrama 1, página 27. Cuando se use una sola batería, el voltaje deberá ser igual al voltaje nominal de entrada del inversor del APS (refiérase a la ficha técnica).
- Conexión de la batería paralela: Refiérase al Diagrama 2, página 27. Cuando se use baterías múltiples en paralelo, el voltaje de cada batería deberá ser igual al voltaje del voltaje nominal de entrada del inversor del APS (refiérase a la ficha técnica).
- Conexión de baterías en serie: Refiérase al Diagrama 3, página 27. Cuando se use baterías múltiples en serie, todas la baterías deben ser iguales en voltaje y capacidad en amperios hora, y la suma de los voltajes deberá ser igual al voltaje del voltaje nominal del inversor del APS (refiérase a la ficha técnica).

3. Ajuste adecuadamente el conector de CC del APS a los cables de conexión de la batería.

Para mejores resultados, use un cable de calibre 1/0 AWG para la conexión de la batería. Las longitudes de los cables de batería deben ser tan cortas como sea posible, y jamás deben ser mayores que 6 metros. El uso de cables más largos, o cables de un calibre más pequeño, puede provocar un peligroso sobrecalentamiento o fuego.*

Debe ajustar los terminales de su batería aproximadamente con un torque de 4 Newton-metros (36 libras-pulgada) para crear una conexión eficaz y evitar el excesivo calentamiento. Un ajuste insuficiente de los terminales podría anular la garantía de su PowerVerter.



* Los modelos del APS tienen la capacidad de producir un vataje de salida mucho más alto por breves periodos de tiempo. El cableado debe configurarse para manejar estos breves episodios de corriente alta. A pesar de que el APS es un convertidor de electricidad de alta eficacia, la capacidad nominal de salida está limitada por la longitud y medida de los cables que van desde la batería hasta el APS.

Conexión de CD a Tierra

Los sistemas APS deben conectarse a una instalación eléctrica permanente y con conexión a tierra. En la mayoría de las instalaciones, el conductor negro de la batería debe estar soldado al sistema de conexión a tierra en un punto (y solamente uno) del sistema. Todas las instalaciones deben cumplir con los códigos y regulaciones nacionales y locales.

Conexión de CA

Antes de la conexión de CA, cerciőrese de que la demanda de energía de sus equipos coincida con la capacidad de salida del APS para evitar sobrecargas.

Cuando calcule la demanda de energía de sus equipos, no confunda el índice de energía "continua" con el índice de energía "de cresta". Ciertos motores eléctricos necesitan más energía para arrancar ("energía de cresta") de lo que requieren para su operación continua. Los índices de energía "de cresta" son normalmente de 2 a 5 veces mayores que los índices de energía "continua". La mayoría de los motores eléctricos demandan "energía de cresta" solamente para su arranque. No obstante, otros motores eléctricos, como los incluidos con refrigeradores y bombas de agua, se encienden y se apagan continuamente de acuerdo con la demanda impuesta. Estos motores pueden requerir "energía de cresta" a intervalos múltiples e imprevisibles durante su operación.

Usted debe utilizar la protección del circuito de rama 15A (proporcionado por el usuario) en el circuito de entrada.

Conexión de la Entrada Eléctrica de CA

Enchufe el cable a una toma que suministre energía de 120V de CA y 60 Hz. Cerciőrese de que el circuito al cual desea conectar el sistema APS posea protección adecuada contra sobrecargas, como un interruptor de circuitos o un fusible.

Conexión de la Salida Eléctrica de CA

Simplemente conecte sus equipos a los receptáculos de CA de la unidad.

Regule el Interruptor "Operating Mode" (Modo de Operación)

- Colóquelo en la posición "AUTO/REMOTE" (automático / remoto) cuando usted desee utilizar los equipos conectados. VENTAJA: Suministra energía de respaldo durante caídas de voltaje y apagones.

Nota: cuando el conmutador está en la posición "AUTO/REMOTE", puede vigilar y controlar su APS conectando un Módulo de control remoto de Tripp Lite (vendido por separado) al conector RJ45 del módulo remoto del APS.

- Colóquelo en la posición "CHARGE ONLY" (recarga solamente) cuando usted no necesite utilizar los equipos conectados. (¡ADVERTENCIA! el sistema APS no suministrará energía de respaldo) VENTAJAS: A) Continúa recargando las baterías cuando la energía eléctrica está presente, y B) Apaga el Inversor del sistema APS para prevenir el desgaste de las baterías durante apagones y caídas de voltaje.
- Colóquelo en la posición "OFF" (apagado) para apagar completamente el APS y los equipos conectados o para restablecer el sistema APS después de que éste se haya apagado debido a una sobrecarga o calor excesivo.

Interruptores, Luces Indicadoras y Otras Características

(Vea el Diagrama 4 en la página 28 para localizar los siguientes interruptores, luces indicadoras y otras características.)

Interruptores

- 1. Interruptor “Operating Mode” (Modo de operación):** Este interruptor selecciona el modo de operación del sistema APS: “AUTO/REMOTE” (automático/remoto); “OFF” (apagado); “CHARGE ONLY” (recarga solamente). Vea la sección “Conexión de CA” en p. 21 para seleccionar la regulación más favorable de este interruptor.
- 2. Interruptores de Configuración (“Configuration Switches”) – Interruptores DIP:** Estos cuatro interruptores deben ser regulados de acuerdo al tipo de baterías conectadas al sistema APS y los puntos de voltaje en que el sistema APS suministrará energía de batería. Refiérase a la sección “Configuración” en la página 18 para seleccionar la regulación más favorable de estos interruptores.

Luces Indicadoras

- 3. “LINE” (Línea):** Esta luz verde estará encendida continuamente siempre que el equipo conectado esté recibiendo energía de CA suministrada comercialmente y su APS esté configurado como “AUTO/REMOTE”, lo que significa que automáticamente se cambiará a energía de la batería si la energía de CA no está disponible. Parpadeará en forma intermitente cuando el equipo conectado reciba energía suministrada comercialmente y el Interruptor del modo de funcionamiento de su APS esté configurado como “CHARGE ONLY”, para indicar que el inversor de APS está APAGADO y que el APS no suministrará energía de sus baterías.
- 4. “INV” (Inversor):** Esta luz amarilla se encenderá continuamente cuando el equipo conectado esté recibiendo energía de CA suministrada por una batería. Parpadeará si el APS no detecta la carga mínima necesaria para activar el inversor.
- 5. “LOAD” (Carga Conectada):** Cuando su UPS recibe energía de CA suministrada comercialmente, esta luz roja se encenderá de forma continua cuando la carga de AP se encuentre entre el 80% y el 100% de capacidad, para advertirle de que el inversor no podrá soportar la carga. La luz parpadeará de forma intermitente después de que el inversor de APS se apague como consecuencia de una sobrecarga o sobrecalentamiento severos. Si esto sucede, APAGUE el interruptor de modo de operación. Retire la sobrecarga y deje que la unidad se enfríe. Puede ENCENDER el APS después de que se haya enfriado.

Interruptores, Luces Indicadoras y Otras Características *continua*

6. **“BATTERY HI/MED/LO” (BATERÍA HI/MED/LO):** Estas tres luces se encenderán en varias secuencias para mostrar el nivel de carga y el voltaje aproximados del banco de baterías conectado y advertirle sobre varias fallas:

INDICACIÓN DE LA CARGA DE LA BATERÍA (Aproximado)

Indicador	Función del cargador (LÍNEA ENCENDIDA)	Nivel de la batería (INV ENCENDIDO)
Verde	Flotar	Estado de carga alta
Verde y amarillo	Absorción (50% listo)	Estado de carga alta/media
Amarillo	Absorción	Estado de carga media
Amarillo y rojo	Volumen (50% listo)	Estado de carga media/baja
Red	Bulk	Estado de carga baja
Rojo	Volumen	Estado de carga muy baja
Parpadeo verde	Igualando carga	N/D
Parpadeo rojo	N/D	Apagado por batería baja

Las tres luces parpadean lentamente* Descarga excesiva, revisar baterías

Las tres luces parpadean rápidamente** Sobrecarga. Revisar cargador

*Aproximadamente 1/2 segundo encendida, 1/2 segundo apagada. Refiérase a la sección Solución de problemas.

**Aproximadamente 1/4 de segundo encendida, 1/4 de segundo apagada. Puede indicar la existencia de una falla del cargador de batería. Refiérase a la sección Solución de problemas.

Otras Características

7. **Terminales de Entrada de CD :** Las tuercas aseguran los cables provenientes de la batería externa o sistema externo de baterías. Sus baterías o sistema de baterías deben proporcionar voltaje adecuado de CD al sistema APS y a sus equipos, y también capacidad adecuada en amperios/hora. Refiérase a la sección “Selección de Baterías” en la página 19 para obtener más información.
8. **Cable de Línea de CA: NEMA 5-15P fijo:** Este cable debe conectarse a un enchufe de CA dedicado de 15 amperios y 120V, 60 Hz. NO CONECTE este cable a los receptáculos de CA del sistema APS.
9. **Receptáculos de CA: NEMA 5-15R :** Estos receptáculos permiten la conexión de equipos diseñados para operar a 120V de CA y 60 Hz.
10. **Interruptores automáticos restaurables:** Estos interruptores automáticos protegen su APS contra daños debidos a sobrecargas en la entrada o la salida. El interruptor de entrada (carga de batería) ayuda a proteger solamente la entrada de la carga de batería. El interruptor de salida (carga de consumo) ayuda a evitar una sobrecarga en la salida. Si se dispara un interruptor automático, espere 1 minuto para permitir que los componentes se enfríen antes de restablecerlo. Si se dispara el interruptor de salida, elimine la sobrecarga conectando mediante la conexión de equipo con un consumo total menor, antes de restablecer el interruptor.
11. **Conector para el Módulo de Control Remoto:** El panel frontal de todos los modelos incluye un conector tipo RJ45 para utilizarlo con el módulo opcional de control remoto. (Este módulo se incluye con los modelos “VR”). Refiérase a las instrucciones incluidas con el módulo de control remoto.
12. **Bridas de montaje:** Use las bridas (ubicadas en la parte frontal de la unidad) y las ranuras de montaje (ubicadas en la parte posterior inferior de la unidad) para montar su APS en forma permanente. Realice el montaje en una superficie horizontal robusta usando tornillos suministrados por el usuario.

Mantenimiento y Servicio

Mantenimiento

Este sistema APS no requiere mantenimiento alguno. No obstante, debe mantenerse seco en todo momento. Verifique periódicamente todas las conexiones y cables en la unidad y sus baterías. Apriete y limpie estas conexiones como sea necesario.

Servicio

Si necesita enviar el sistema APS a Tripp Lite, por favor empáquelo cuidadosamente usando el MATERIAL ORIGINAL DE EMPAQUE. Adjunte una carta con la descripción de los síntomas del problema. Si la unidad está dentro del período de garantía, adjunte una copia de su factura o recibo original de compra.

Garantía Limitada

Tripp Lite garantiza que sus productos estarán libres de defectos en materiales y mano de obra por un período de un año (unidades utilizadas en EE.UU.) ó 120 días (unidades utilizadas fuera de EE.UU) a partir de la fecha inicial de compra. La obligación de Tripp Lite bajo esta garantía está limitada a reparar o reemplazar (a sola discreción de Tripp Lite) los productos defectuosos. Para obtener servicio bajo esta garantía usted debe obtener un número de Autorización de Devolución de Material (RMA) de Tripp Lite o de uno de sus centros autorizados de servicio. Los productos defectuosos deben ser enviados, con los cargos de transporte pagados, a Tripp Lite o a uno de sus centros autorizados de servicio y deben estar acompañados por una breve descripción del problema que ha experimentado el usuario y comprobación de fecha y lugar de compra. Esta garantía no cubre equipos que hayan sido dañados por accidente, negligencia o uso incorrecto, o que hayan sido alterados o modificados en forma alguna. Esta garantía sólo es válida para el comprador original, quien debe registrar correctamente este producto dentro de los primeros 10 días de la fecha de compra.

EXCEPTO COMO SE ESPECIFICA EN ESTE DOCUMENTO, TRIPP LITE NO EXTIENDE NINGUNA GARANTIA EXPRESA O IMPLICITA, INCLUYENDO GARANTIAS DE COMERCIALIZACION Y APTITUD PARA UN PROPOSITO PARTICULAR. Algunos estados no permiten limitaciones o exclusiones de garantías implícitas; por consiguiente, es posible que la(s) limitación(es) o exclusión(es) mencionada(s) no sean aplicables al comprador.

EXCEPTO COMO SE ESPECIFICA EN ESTE DOCUMENTO, TRIPP LITE NO SERA RESPONSABLE, EN NINGUN CASO, POR DAÑOS O PERJUICIOS DIRECTOS, INDIRECTOS, INCIDENTALS O CONSIGUIENTES QUE SURJAN POR EL USO DE ESTE PRODUCTO, AUN SI EXISTEN ADVERTENCIAS PREVIAS SOBRE LA POSIBILIDAD DE DICHOS DAÑOS. Específicamente, Tripp Lite no es responsable por costo alguno, como pérdidas de ganancias o réditos, pérdidas de equipos, pérdida de uso de equipos, pérdida de software, pérdida de datos, costo de equipos sustitutos, reclamos por terceras u otras partes.

Resolucion de Problemas

Si experimenta problemas comunes refiérase a esta guía antes de llamar al centro de servicios. Llame al Servicios a Clientes de Tripp Lite antes de enviar el sistema APS.

SIMTOMA	PROBLEMAS	SOLUCION
El sistema APS no suministra salida de CA (energía de CA disponible)	APS no conecta correctamente a la toma de energía eléctrica.	Conecte el sistema APS a una toma de energía eléctrica.
	Interruptor de circuitos extendido.	Restablezca el interruptor de circuitos.
	El sistema APS ha sido desactivado debido al voltaje excesivo de la batería, lo que indica una posible falla del cargador. Desconecte la unidad de la línea de CA.	Apague el sistema APS. Espere 1 minuto y coloque el interruptor en la posición "AUTO/REMOTE" .
	El sistema APS está apagado (OFF).	Coloque el interruptor del sistema APS en "AUTO/REMOTE" o "CHARGE ONLY".
El sistema APS no suministra salida de CA (energía de CA ausente)	El Interruptor de Circuitos está extendido.	Reajuste el interruptor de circuitos.
	El Interruptor "Operating Mode" (modo de operación) está en la posición "Charge Only" (recarga solamente).	Coloque el Interruptor "Operating Mode" en la posición "AUTO/REMOTE".
	Indica temperatura excesiva o falla de la carga conectada.	Apague el APS. Remueva la sobrecarga. Espere 1 minuto. Cambie a "AUTO/REMOTE."
	Descarga excesiva de la batería.	Verifique las condiciones de las baterías.
El sistema APS no recarga las baterías (energía de CA disponible)	Las baterías conectadas están totalmente descargadas.	Verifique y reemplace las baterías usadas.
	El fusible de la batería* se ha quemado.	Verifique y reemplace el fusible.
	El cableado de la batería* está flojo o dañado.	Verifique y apriete o reemplace el cableado.
	Falla en el cargador del sistema APS.	Apague el APS. Espere 1 minuto y coloque el interruptor en la posición "AUTO/REMOTE". Si se apaga automáticamente, llame al Servicios a Clientes de Tripp Lite.
Todas las Luces Indicadoras del sistema APS están apagadas (energía de CA ausente)	Esto es normal si el interruptor del sistema APS está en la posición "Charge Only" (recarga solamente).	—
Todas las Luces Indicadoras del sistema APS están apagadas (energía de CA disponible o ausente)	Descarga excesiva de la batería. incrementar el voltaje de las baterías.	Utilice un cargador auxiliar* para Verifique las conexiones de las baterías externas y sus fusibles.
Todas las Luces Indicadoras de las condiciones de las baterías parpadean lentamente.	Descarga excesiva de la batería.	Utilice un cargador auxiliar* para incrementar el voltaje de las baterías. Se restablece automáticamente.
La Luz Indicadora "LOAD" del sistema APS parpadea	El inversor ha sido desactivado debido a que el voltaje de la batería es muy bajo por más de 5 segundos. Esta protege las baterías contra daños.	Restablezca la unidad moviendo el interruptor a la posición "OFF" y luego a la posición "AUTO/REMOTE".
Todas las Luces Indicadoras de las condiciones de las baterías parpadean rápidamente	La batería ha sido desactivada debido al alto voltaje durante el modo de Recarga.	Verifique todas las fuentes de recarga. Restablezca moviendo el interruptor a "OFF" y luego a "AUTO/REMOTE".
La Luz Indicadora "LOAD" charge (carga conectada) parpadea rápidamente	Sobrecarga del inversor. Si esta condición se mantiene por más de 5 segundos se apagará el inversor.	Restablezca la unidad reduciendo la conectada y moviendo el interruptor a "OFF" y luego a "AUTO/REMOTE" .

*Suministrado por el usuario

Especificaciones

MODELO:	APS612
SERIO:	AGAP60012MVJ
Peso:	11.9 Kg
INVERSOR	
Energía continua a 20° C	600 Vatios
Energía de sobretensiones transitorias:	1200 Vatios
Eficiencia (Carga Completa):	90%
Índice Mínimo/Máximo de Capacidad del Fusible:	100A/200A
Corriente de Entrada de CD a Niveles Nominales	
Carga Completa:	56 A
Voltios Nominales de Entrada:	12 V de CD
Gama de Voltaje de Entrada de CD:	10 a 15 V de CD
Voltios Nominales de Salida:	120V de CA ±5%
Frecuencia Nominal de Salida:	60 Hz ±.3%
CARGADOR DE BATERIAS	
Capacidad de Carga de CD:	20 A
Longitud Máxima del Cable:	20 pies
Aceptación de Voltios de CD:	Programable 14.4*/14.2 V Húmeda*/Gel
Flotador - Voltios de CD (con batería de gel):	13.3 V (13.6 V)
Voltaje de Entrada de CA:	120 V
Corriente de Entrada de CA:	4.2 A
OPERACION EN LINEA DE CA	
Entrada Mínima en Voltios de CA:	Programable 75*, 85, 95 ó 105V de CA
Entrada Máxima en Voltios de CA: (Continua, Cargador al Máximo)	Programable 135* ó 145V de CA
Corriente Máxima de Entrada (Continua, Cargador al Máximo)	9.5 A
Frecuencia de Entrada:	60 Hz ±3%
Salida Máxima de CA (Continua):	5 A
Tiempo de Transferencia Automática:	<25 milisegundos

*Regulación de fábrica.

Nota sobre el etiquetado

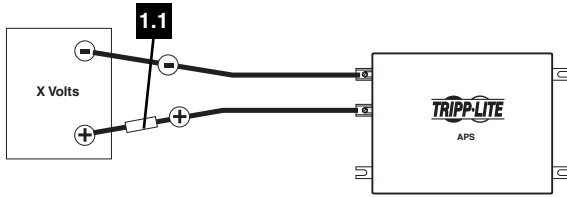
Dos símbolos se utilizan en las etiquetas del APS.

V_{\sim} : Voltaje CA

$V_{\text{---}}$: Voltaje CD

Diagrams/Esquemas

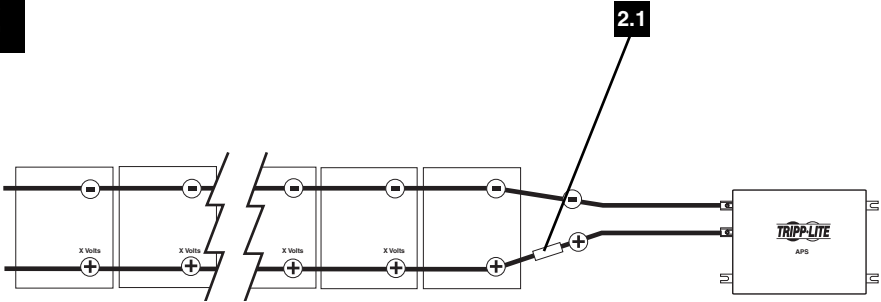
1



See Battery Connection, Pg. 7. 1.1 is the fuse. X = Your APS's Inverter's Nominal Input Voltage. (See specs.)

Refiérase a la sección Conexión de baterías, Pág. 20. 1.1 representa el fusible. X = Voltaje nominal de entrada del inversor del APS. (Refiérase a la ficha técnica).

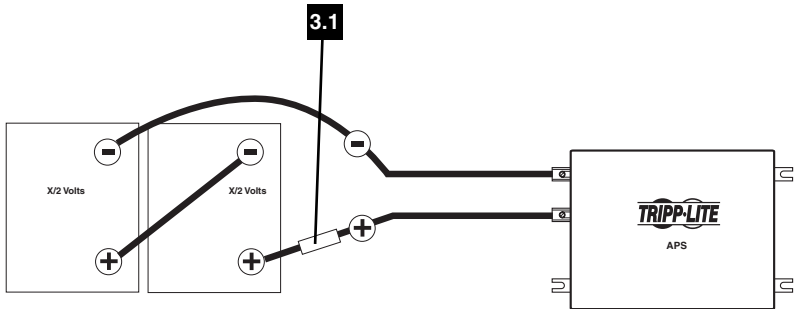
2



See Battery Connection, Pg. 7. 2.1 is the fuse. X = Your APS's Inverter's Nominal Input Voltage. (See specs.)

Refiérase a la sección Conexión de baterías, Pág. 20. 2.1 representa el fusible. X = Voltaje nominal de entrada del inversor del APS. (Refiérase a la ficha técnica).

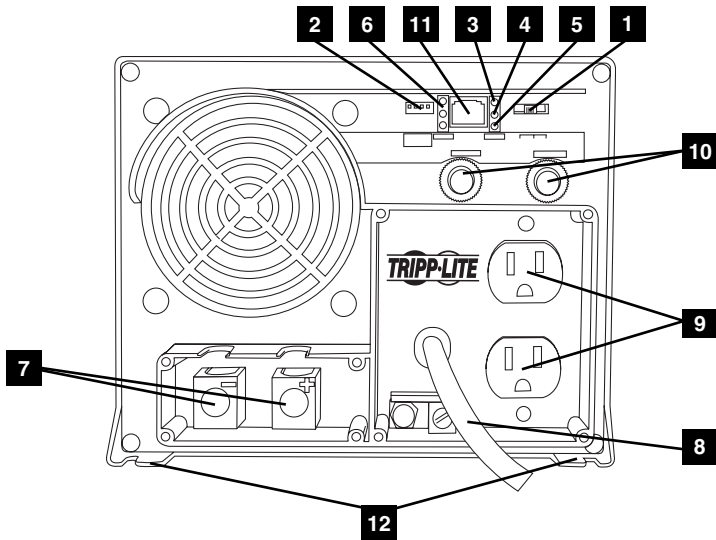
3



See Battery Connection, Pg. 7. 3.1 is the fuse. X = Your APS's Inverter's Nominal Input Voltage. (See specs.)

Refiérase a la sección Conexión de baterías, Pág. 20. 3.1 representa el fusible. X = El voltaje nominal de entrada del inversor del APS. (Refiérase a la ficha técnica).

4



1. Operating Mode Switch
2. DIP Switches
3. "LINE"
4. "INV" (Inverting)
5. "LOAD"
6. "BATTERY HI/MED/LO"
7. DC Input Connectors
8. AC Input Line Cord
9. AC Output Terminals
10. Resettable Circuit Breakers
11. Remote Module Connector
12. Mounting Flanges

1. Interruptor "Operating Mode" (Modo de operación)
2. Interruptores DIP
3. "LINE" (Línea)
4. "INV" (Inversor)
5. "LOAD" (Carga Conectada)
6. "BATTERY HI/MED/LO" (Carga de Baterías Alta/Media/Baja)
7. Terminales de Entrada de CD
8. Cable de Línea de CA
9. Receptáculos de CA
10. Interruptores de Circuito con Restablecimiento
11. Conector para el Módulo de Control Remoto
12. Bridas de montaje

Free Manuals Download Website

<http://myh66.com>

<http://usermanuals.us>

<http://www.somanuals.com>

<http://www.4manuals.cc>

<http://www.manual-lib.com>

<http://www.404manual.com>

<http://www.luxmanual.com>

<http://aubethermostatmanual.com>

Golf course search by state

<http://golfingnear.com>

Email search by domain

<http://emailbydomain.com>

Auto manuals search

<http://auto.somanuals.com>

TV manuals search

<http://tv.somanuals.com>