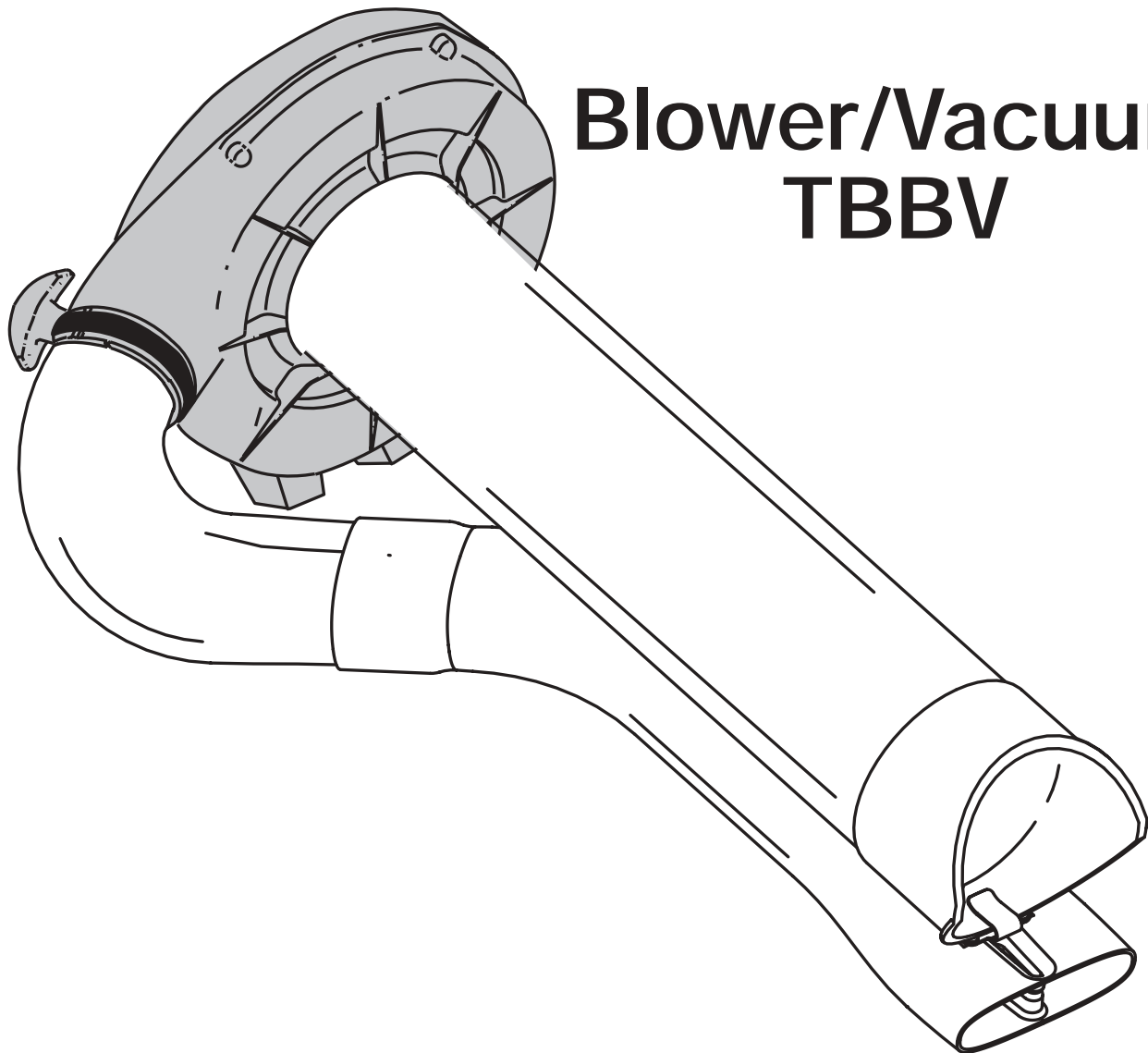




Operator's Manual



Blower/Vacuum TBBV



IMPORTANT: READ SAFETY RULES AND INSTRUCTIONS CAREFULLY
TROY-BILT LLC, P.O. BOX 361131, CLEVELAND, OH 44136-0019

P/N 769-00423 (9/02)
PRINTED IN USA

INTRODUCTION

THANK YOU

Thank you for buying this quality product. This modern outdoor power tool will provide many hours of useful service. You will find it to be a great labor-saving device. This operator's manual provides you with easy-to-understand operating instructions. Read the whole manual and follow all the instructions to keep your new outdoor power tool in top operating condition.

PRODUCT REFERENCES, ILLUSTRATIONS AND SPECIFICATIONS

All information, illustrations and specifications in this manual are based on the latest product information available at the time of printing. We reserve the right to make changes at any time without notice.

Copyright ©2002 MTD SOUTHWEST INC
All Rights Reserved.

Troy-Bilt® is a registered trademark of
MTD SOUTHWEST INC

SERVICE INFORMATION

Service on this unit both within and after the warranty period should be performed only by an authorized and approved service dealer.

Dial:

- 1-330-558-7220

Or

- 1-866-840-6483 to obtain the listing of the authorized service dealer nearest you.

DO NOT RETURN THE UNIT TO THE RETAILER.

NOTE: PROOF OF PURCHASE WILL BE REQUIRED FOR WARRANTY SERVICE.

Make sure this manual is carefully read and understood before starting or operating this equipment.

THIS PRODUCT IS COVERED BY ONE OR MORE US PATENTS. OTHER PATENTS PENDING.

WARNING!

Read the Operator's Manual(s) and follow all warnings and safety instructions. Failure to do so can result in serious injury to the operator and/or bystanders.

TABLE OF CONTENTS

I. Rules for Safe Operation	3-6
A. Important Safety Information	3-4
B. Safety and International Symbols	5
C. Know Your Unit	6
II. Assembly Instructions	7
III. Operating Instructions	8-9
A. Assembling the coupler	8
B. Operating Tips	9
IV. Maintenance Instructions	10
A. Storage	10
B. Transporting	10
C. Accessories/Replacement Parts	10
V. Specifications	11
VI. Warranty	12

CONTENTS OF CARTON


This unit should consist of the following:




- TBBV Blower/Vacuum Add-On
- Blower Tube Assembly
- Vacuum Tube & Vacuum Bag Assembly
- Hanger
- Operator's Manual
- Product Registration Card

NOTE: This product has been rated for use on both gas and electric powerheads.

RULES FOR SAFE OPERATION


The purpose of safety symbols is to attract your attention to possible dangers. The safety symbols, and their explanations, deserve your careful attention and understanding. The safety warnings do not by themselves eliminate any danger. The instructions or warnings they give are not substitutes for proper accident prevention measures.

SYMBOL	MEANING
	SAFETY ALERT SYMBOL: Indicates danger, warning, or caution. Attention is required in order to avoid serious personal injury. May be used in conjunction with other symbols or pictographs.
	NOTE: Advises you of information or instructions vital to the operation or maintenance of the equipment.

	DANGER: Failure to obey a safety warning will result in serious injury to yourself or to others. Always follow the safety precautions to reduce the risk of fire, electric shock, and personal injury.
	WARNING: Failure to obey a safety warning can result in injury to yourself and others. Always follow the safety precautions to reduce the risk of fire, electric shock, and personal injury.
	CAUTION: Failure to obey a safety warning may result in property damage or personal injury to yourself or to others. Always follow the safety precautions to reduce the risk of fire, electric shock, and personal injury.

• IMPORTANT SAFETY INFORMATION •


READ ALL INSTRUCTIONS

	WARNING: When using the unit, the safety rules must be followed. For your own safety and that of bystanders, please read these instructions before operating the unit. Please keep the instructions safe for later use.
--	--

BEFORE OPERATING

- Carefully read and understand the operator's manual of the unit that powers this attachment.
- Read this operating instruction manual carefully. Be thoroughly familiar with the controls and the proper use of the equipment. Know how to stop the unit and disengage the controls quickly.
- Do not operate this unit when tired, ill, or under the influence of alcohol, drugs, or medication.
- Never allow children to operate the equipment. Never allow adults unfamiliar with the instructions to use the unit. Never allow adults to operate the equipment without proper instruction.
- All guards and safety attachments must be installed properly before operating the unit.
- Inspect the unit before use.
- Clear the area before each use. Remove all objects such as rocks, broken glass, nails, wire, or string which can be thrown or become entangled in the attachment. As a vacuum, the unit is designed to pick up dry materials such as leaves, grass, small twigs and bits of paper. To avoid severe damage to the impeller, Do Not attempt to vacuum, wet debris, metal, broken glass, gravel, stones, etc..


SPECIAL SAFETY WARNINGS FOR GAS POWERHEADS AND BLOWER/VACUUMS

	WARNING: Gasoline is highly flammable, and its vapors can explode if ignited. Take the following precautions:
--	--

- Store fuel only in containers specifically designed and approved for the storage of such materials.

- Always stop the engine and allow it to cool before filling the fuel tank. Never remove the cap of the fuel tank, or add fuel, when the engine is hot. Never operate the unit without the fuel cap securely in place. Loosen the fuel tank cap slowly to relieve any pressure in the tank.
- Mix and add fuel in a clean, well-ventilated area outdoors where there are no sparks or flames. Slowly remove the fuel cap only after stopping engine. Do not smoke while fueling or mixing fuel. Wipe up any spilled fuel from the unit immediately.
- Avoid creating a source of ignition for spilled fuel. Do not start the engine until fuel vapors dissipate.
- Move the unit at least 30 feet (9.1 m) from the fueling source and site before starting the engine. Do not smoke. Keep sparks and open flames away from the area while adding fuel or operating the unit.
- Never start or run the unit inside a closed room or building. Breathing exhaust fumes can kill. Operate this unit only in a well ventilated area outdoors.

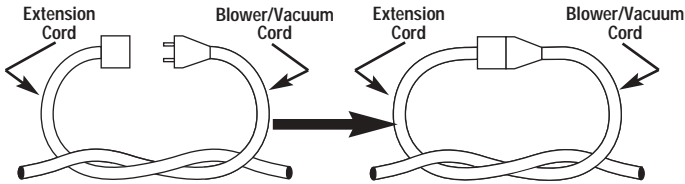
SPECIAL SAFETY WARNINGS FOR ELECTRIC POWERHEADS AND BLOWER/VACUUMS

	WARNING: To reduce the risk of electrical shock, use only extension cords approved for outdoor use, such as an extension cord of cord type SW-A, SOW-A, STW-A, STOW-A, SJW-A, SJOW-A, SJTW-W or SJTOW-A. Extension cords are available from your local retailer. Use only round-jacketed extension cords approved for outdoor use.
---	---

- **CORD SETS:** Make sure your cord set is in good condition. When using a cord set, be sure to use a cord that is heavy enough to carry the current that your unit will draw. An undersized cord set will cause a drop in line voltage resulting in loss of power and overheating. See the operator's manual for the unit that will power this add-on for the recommended cord size.
- Inspect all extension cords and the unit power connection periodically. Look closely for deterioration, cuts or cracks in the insulation. Also inspect the connections for damage. Replace the cords if any defects or damage appear.

RULES FOR SAFE OPERATION

- Prevent disconnection of the blower/vacuum powerhead from extension cord during operation by using a plug-receptacle retaining strap, connector, or by making a knot as shown below:



- Avoid dangerous environments. Never operate your unit in damp or wet conditions. Moisture is a shock hazard.
- Do not use the unit in the rain. Do not use in or around water.
- Do not handle the plug or unit with wet hands or standing on any wet surfaces.
- Do not leave the unit plugged in when not in use, changing attachments or add-ons, or while being serviced.

WHILE OPERATING

- Keep bystanders, especially children and pets, at least 50 ft (15 m) away.
- Wear safety glasses or goggles that are marked as meeting ANSI Z87.1 standards, and ear/hearing protection when operating this unit. Wear a face or dust mask if the operation is dusty.
- Wear heavy, long pants, boots, gloves and a long sleeve shirt. Do not wear loose clothing, jewelry, short pants, sandals or go barefoot. Secure hair above shoulder level.
- Use the unit only in daylight or good artificial light.
- Use the right tool. Only use this tool for the purpose intended.
- Keep air intake opening clear of debris while blowing.
- Avoid situations that could catch the vacuum bag on fire. Do not operate near an open flame. Do not vacuum warm ash from fireplaces, barbecue pits, brush piles, etc. Do not vacuum discarded cigars or cigarettes.
- Never operate the unit without the vacuum tube and vacuum bag or blower tube installed.
- Never attempt to clear a clogged vacuum or blower tube with the engine/motor running.
- Never operate the unit with a damaged bag. Bags are subject to deteriorate during use. Check the bag for damage and replace when necessary. A damaged bag may let objects pass through, causing injury.
- Always make sure the bag is completely zipped prior to starting the unit.
- Do not force unit. It will do the job better and with less likelihood of injury at a rate for which it was designed.
- Do not overreach, take extra care when working on steep slopes or inclines. Always keep proper footing and balance.
- Always hold the unit with both hands when operating. Keep a firm grip on both the front and rear handle or grips.
- Keep hands, face, and feet at a distance from all moving parts. Do not touch or try to stop the impeller when it is rotating. Do not operate without guards in place.

- Do not put any object into openings. Do not use with any opening blocked; keep free of dirt, debris, and anything that may reduce the air flow.
- Do not operate the engine faster than the speed needed to do the job. Do not run the engine at high speed when not in use.
- Always stop the engine/motor when operation is delayed or when walking from one location to another.
- If you strike or become entangled with a foreign object, stop the engine/motor immediately and check for damage. Have any damage repaired before attempting further operations.
- Stop the unit IMMEDIATELY if you feel excessive vibration. Vibration is a sign of trouble. Inspect thoroughly for loose nuts, bolts or damage before continuing. Repair or replace affected parts as necessary.
- Stop and switch the unit to off for maintenance, repair, or for changing add-ons or other attachments. The unit must be stopped and the impeller no longer turning to avoid injury.
- Use only genuine factory replacement parts and accessories for this unit. These are available from your authorized service dealer. Use of any unauthorized parts or accessories could lead to serious injury to the user or damage to the unit, and void your warranty.

OTHER SAFETY WARNINGS

- Allow the unit to cool before storing or transporting. Be sure to secure the unit while transporting.
- Store the unit in a locked up and dry or high and dry place to prevent unauthorized use or damage, out of the reach of children.
- Never douse or squirt the unit with water or any other liquid. Keep handles dry, clean and free from debris. Clean unit and labels with a damp sponge. Clean after each use.
- Keep these instructions. Refer to them often and use them to instruct other users. If you loan someone this unit, also loan them these instructions.
- Only qualified personnel should perform any repairs or maintenance procedures that are not described in this manual.
- Check shear bolts, engine mounting bolts and other bolts at frequent intervals for proper tightness to be sure the equipment is in safe working condition.
- Inside a building store the machine away from ignition sources. Allow the engine to cool before storing in any enclosure.
- Always refer to the Operator's Manual instructions for important details if the unit is to be stored for an extended period.
- Do not attempt to repair the machine unless you have the proper tools, and instructions for disassembly and repair of the machine.

SAVE THESE INSTRUCTIONS

RULES FOR SAFE OPERATION

SAFETY AND INTERNATIONAL SYMBOLS

This operator's manual describes safety and international symbols and pictographs that may appear on this product. Read the operator's manual for complete safety, assembly, operating and maintenance and repair information.

SYMBOL

MEANING



- **SAFETY ALERT SYMBOL**

Indicates danger, warning, or caution. May be used in conjunction with other symbols or pictographs.



- **WARNING - READ OPERATOR'S MANUAL**

Read the Operator's Manual(s) and follow all warnings and safety instructions. Failure to do so can result in serious injury to the operator and/or bystanders.



- **WEAR EYE AND HEARING PROTECTION**

WARNING: The operation of any power tool can be the source of thrown objects and loud noise which can cause severe eye injury and hearing loss. Always wear safety glasses or goggles eye protection meeting ANSI Z87.1 standards and ear protection when operating this unit. Use a full face shield when needed.



- **KEEP BYSTANDERS AWAY**

WARNING: Keep all bystanders, especially children and pets, at least 50 feet (15 m) from the operating area.



- **THROWN OBJECTS CAN CAUSE SEVERE INJURY**

WARNING: Do not operate unit without proper attachments and guards in place.



- **BLOWER/VACUUM - ROTATING IMPELLER CAN CAUSE SEVERE INJURY**

WARNING: Stop the engine/motor before installing or removing tubes and bag, or before cleaning or performing any maintenance. Do not put hands or other objects into fan housing. Keep hands and feet away from rotating impeller.

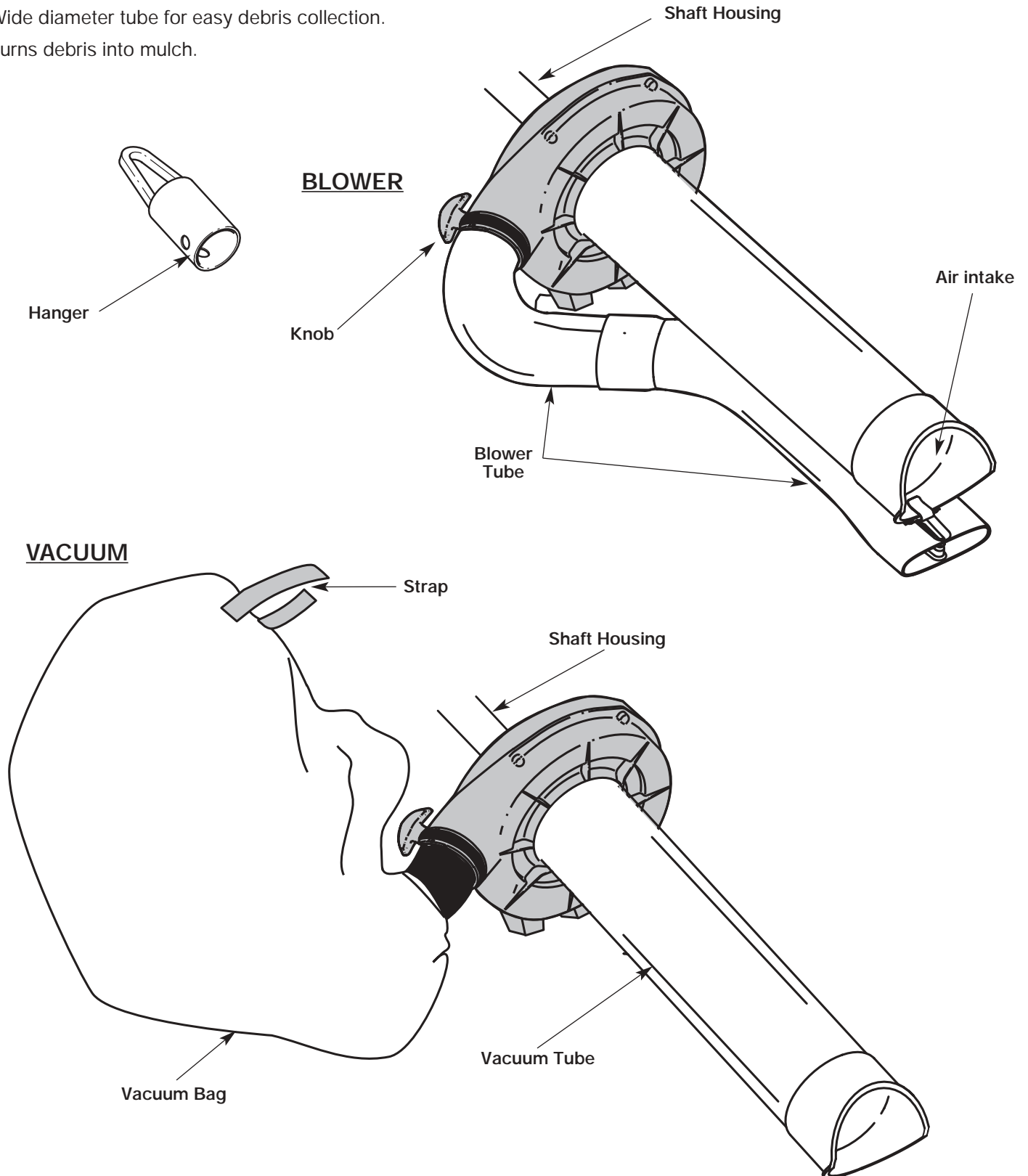
RULES FOR SAFE OPERATION

KNOW YOUR UNIT

APPLICATIONS

With Blower/Vacuum Add-On:

- Easily converts from blower to vacuum.
- Wide diameter tube for easy debris collection.
- Turns debris into mulch.



ASSEMBLY INSTRUCTIONS

NOTE: Your unit is completely assembled as a blower in the carton. Use the following instructions to convert between a blower and a vacuum.



WARNING: To avoid serious personal injury and damage to the unit, shut unit off before removing or installing add-ons.

CONVERTING TO A VACUUM

1. Loosen the clamping knob on the blower housing counterclockwise.
2. Remove the blower tube.
3. Install the bag elbow and tighten the knob clockwise (Fig. 1).

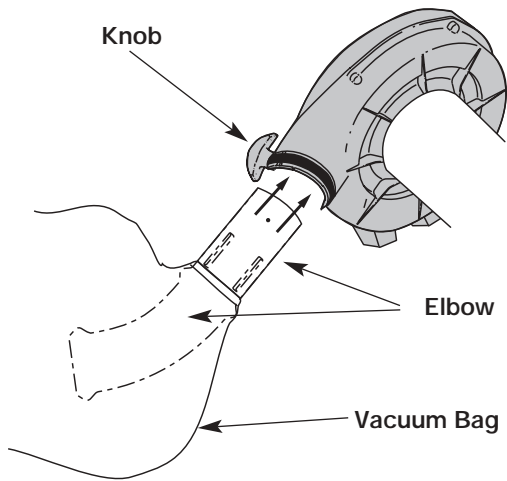


Fig. 1

4. Fasten the strap to the shaft above the assist handle, located on the powerhead (Fig. 2).

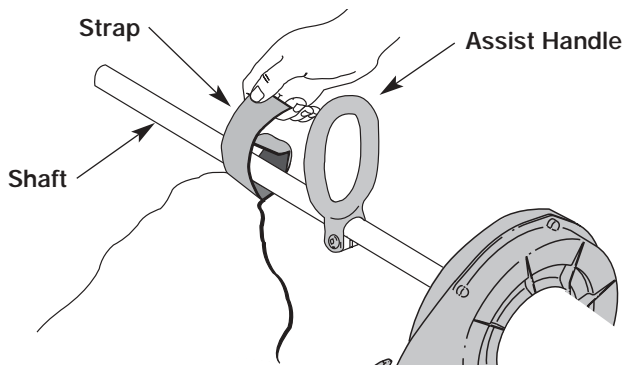


Fig. 2

CONVERTING TO A BLOWER

1. Remove the vacuum bag.
2. Clip the blower tube to the end of the vacuum tube (Fig. 3).

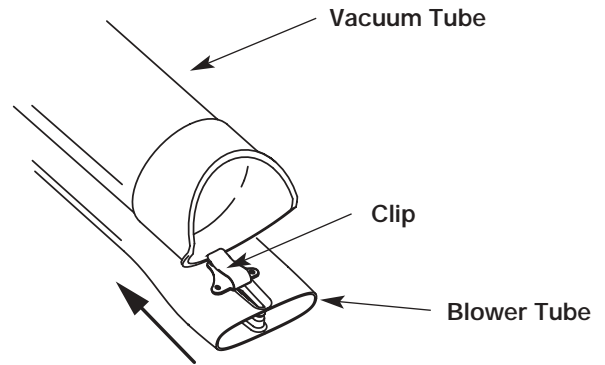


Fig. 3

3. Install the blower tube and tighten the knob (Fig. 4).

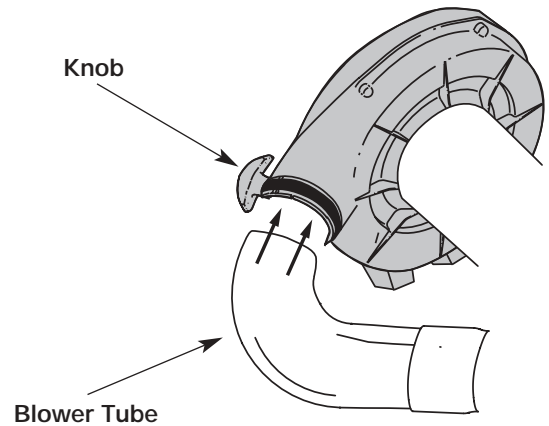


Fig. 4

OPERATING INSTRUCTIONS

ASSEMBLING THE COUPLER

The following Troy-Bilt Add-Ons are also available for your unit:

Cultivator	TBGC
Hedge Trimmer	TBHS
Edger	TBLE
Straight Shaft Trimmer	TBSS
Snow Thrower	TBST
Turbo Blower	TBTB
Tree Pruner	TBTP

Removing the add-on



WARNING: Read and understand operator's manual for unit to be used with this add-on prior to operation.

1. Turn the knob counterclockwise to loosen (Fig. 5).
2. Press and hold the release button (Fig. 5).
3. While firmly holding the upper shaft housing, pull the blower/vacuum add-on out of the coupler (Fig. 6).

Installing the add-on



WARNING: To avoid serious personal injury and damage to the unit, shut unit off before removing or installing add-ons.

NOTE: To make installing or removing the add-on easier, place the unit on the ground or on a work bench.

1. Remove the hanger from the top of the shaft housing.
2. Turn knob counterclockwise to loosen (Fig. 5).
3. While firmly holding the add-on, push it straight into the coupler (Fig. 6).

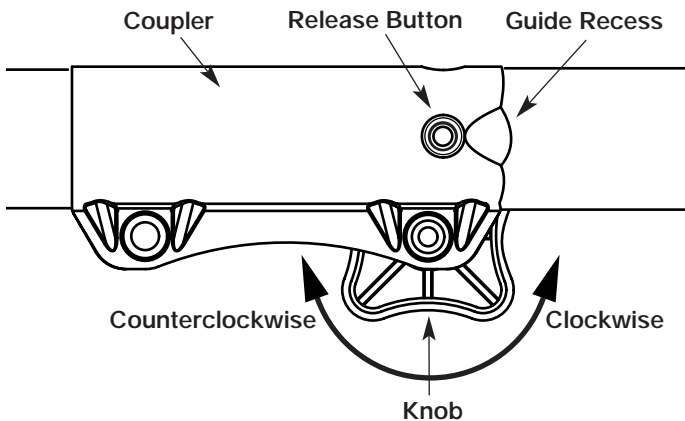


Fig. 5

NOTE: Aligning the release button with the guide recess will help installation (Fig. 5).

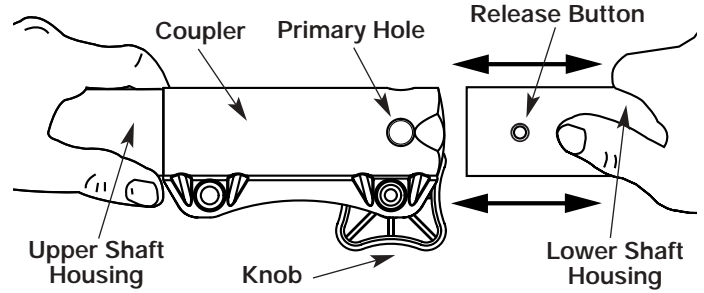


Fig. 6

4. Turn the knob clockwise to tighten (Fig. 7).



CAUTION: Lock the release button in the primary hole (Fig. 6) and securely tighten the knob before operating this unit.

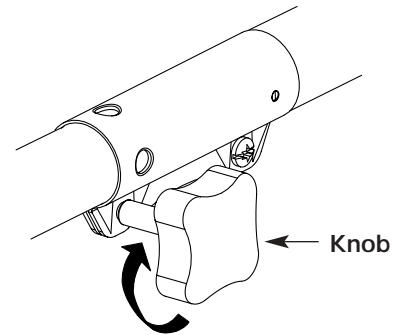


Fig. 7



CAUTION: The add-ons with the coupler system are to be used in the primary hole only. Using the wrong hole could lead to personal injury or damage to the unit.

The blower/vacuum add-on should be installed with the release button in the **primary hole**.

Check Flex Shaft Engagement Prior to Using

1. Start the unit.
2. Briefly engage and release the trigger.
3. Check that add-on is operating.
4. If the add-on is not operating, remove add-on and repeat steps for installing the add-on.
5. Recheck operation of add-on attachment.

OPERATING INSTRUCTIONS

OPERATING TIPS

NOTE: Move the unit slowly back and forth over debris to be vacuumed or blown.

NOTE: Vacuum a large pile of debris by working from the outside of the pile. Do not force the suction tube into the debris because this can clog the unit.

OPERATING VACUUM

1. The vacuum can be used for cleaning around rocks, under shrubs and trees, along walls, or vacuuming piles of debris formed by blower (Fig. 8).

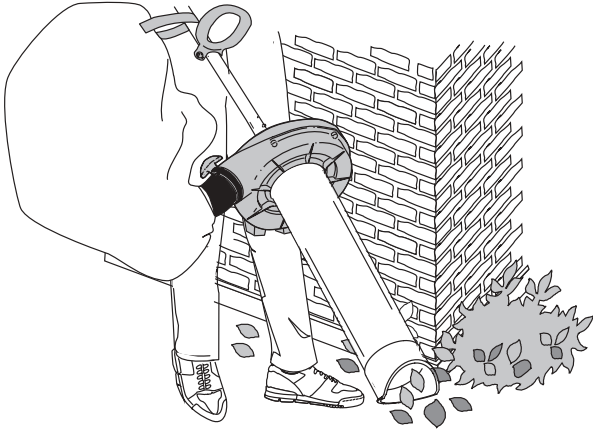


Fig. 8

2. Disconnect unit from power source before removing bag. Once removed, shake the bag vigorously while emptying to completely remove the contents (Fig. 9).



Fig. 9

OPERATING BLOWER

1. You can blow debris from around buildings, trees, shrubs, and flower beds, or into a pile to be vacuumed (Fig. 10).

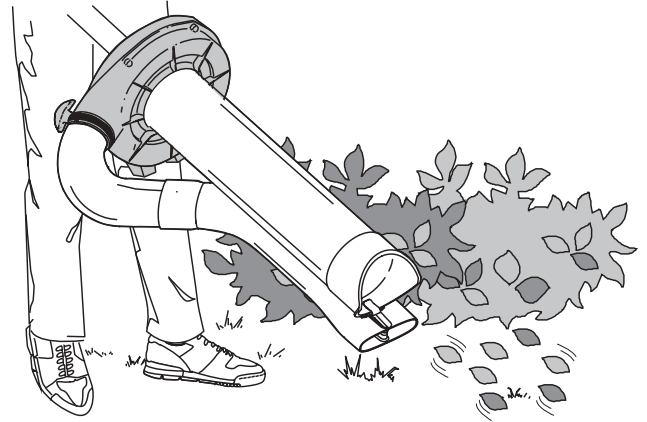


Fig. 10

OPERATING TIPS

- Be sure the vacuum bag is zipped closed before operating the unit.
- Assure the unit is not directed at loose debris or persons before starting unit.
- The unit is in good working condition. The tubes and guards are in place and secure.
- Always hold the unit with both hands when operating. Keep a firm grip on both the front and rear handle or grips.
- To reduce the risk of hearing loss associated with sound level(s), the use of hearing protection is required.
- Watch out for children, pets, open windows, or freshly washed cars, and blow debris away.
- After using blowers and other equipment, CLEAN UP! Dispose of debris in trash receptacles.

MAINTENANCE AND REPAIR INSTRUCTIONS

STORAGE

- Check unit before storage to be sure the equipment is in safe working condition.
- Stop the engine or motor.
- Store the unit indoors, in a dry and locked place, out of the reach of children.

For gas powerhead units

- Allow the unit to cool before storing in any enclosure.
- Drain fuel from unit. Never store the unit with fuel in the fuel tank inside a building where ignition sources are present such as hot water and space heaters, clothes dryers, etc.

TRANSPORTING

- Allow the unit to cool before transporting.
- Secure the unit while transporting.

For gas powerhead units

- Drain fuel from unit.
- Tighten fuel cap before transporting.

ACCESSORIES/REPLACEMENT PARTS

Vacuum bag assembly	791-180108
Vacuum tube assembly	753-1215
Blower tube assembly	791-181641

Use only original genuine factory replacement parts.

SPECIFICATIONS

BLOWER/VACUUM ADD-ON

Weight of Attachment:	4.6 lbs. (10.1 kg)
Bag Capacity	2 Bushels (.0728 m ³)
Air Velocity	Up to 120 MPH
Drive Shaft Housing	Steel Tube

MANUFACTURER'S LIMITED WARRANTY FOR:



The limited warranty set forth below is given by Troy-Bilt LLC with respect to new merchandise purchased and used in the United States, its possessions and territories.

Troy-Bilt LLC warrants this product against defects in material and workmanship for a period of two (2) years commencing on the date of original purchase and will, at its option, repair or replace, free of charge, any part found to be defective in material or workmanship. This limited warranty shall only apply if this product has been operated and maintained in accordance with the Operator's Manual furnished with the product, and has not been subject to misuse, abuse, commercial use, neglect, accident, improper maintenance, alteration, vandalism, theft, fire, water or damage because of other peril or natural disaster. Damage resulting from the installation or use of any accessory or attachment not approved by Troy-Bilt LLC for use with the product(s) covered by this manual will void your warranty as to any resulting damage. This warranty is limited to ninety (90) days from the date of original retail purchase for any Troy-Bilt product that is used for rental or commercial purposes, or any other income-producing purpose.

HOW TO OBTAIN SERVICE: Warranty service is available, WITH PROOF OF PURCHASE THROUGH YOUR LOCAL AUTHORIZED SERVICE DEALER. To locate the dealer in your area, visit our website at www.troybilt.com, check for a listing in the Yellow Pages, call 1 (866) 840-6483 or 1 (330) 558-7220 or write to P.O. Box 361131, Cleveland, OH 44136-0019.

This limited warranty does not provide coverage in the following cases:

- A. Tune-ups - Spark Plugs, Carburetor Adjustments, Filters
- B. Wear items - Bump Knobs, Outer Spools, Cutting Line, Inner Reels, Starter Pulley, Starter Ropes, Drive Belts
- C. Troy-Bilt LLC does not extend any warranty for products sold or exported outside of the United States of America, its possessions and territories, except those sold through Troy-Bilt's authorized channels of export distribution.

Troy-Bilt LLC reserves the right to change or improve the design of any Troy-Bilt Product without assuming any obligation to modify any product previously manufactured.

No implied warranty, including any implied warranty of merchantability or fitness for a particular purpose, applies after the applicable period of express written warranty above as to the parts as identified. No other express warranty or guaranty, whether written or oral, except as mentioned above, given by any person or entity, including a dealer or retailer, with respect to any product shall bind Troy-Bilt LLC. During the period of the Warranty, the exclusive remedy is repair or replacement of the product as set forth above. (Some states do not allow limitations on how long an implied warranty lasts, so the above limitation may not apply to you.)

The provisions as set forth in this Warranty provide the sole and exclusive remedy arising from the sales. Troy-Bilt LLC shall not be liable for incidental or consequential loss or damages including, without limitation, expenses incurred for substitute or replacement lawn care services, for transportation or for related expenses, or for rental expenses to temporarily replace a warranted product. (Some states do not allow limitations on how long an implied warranty lasts, so the above limitation may not apply to you.)

In no event shall recovery of any kind be greater than the amount of the purchase price of the product sold. Alteration of the safety features of the product shall void this Warranty. You assume the risk and liability for loss, damage, or injury to you and your property and/or to others and their property arising out of the use or misuse or inability to use the product.

This limited warranty shall not extend to anyone other than the original purchaser, original lessee or the person for whom it was purchased as a gift.

How State Law Relates to this Warranty: This warranty gives you specific legal rights, and you may also have other rights which vary from state to state.

To locate your nearest service dealer dial 1 (877) 282-8684

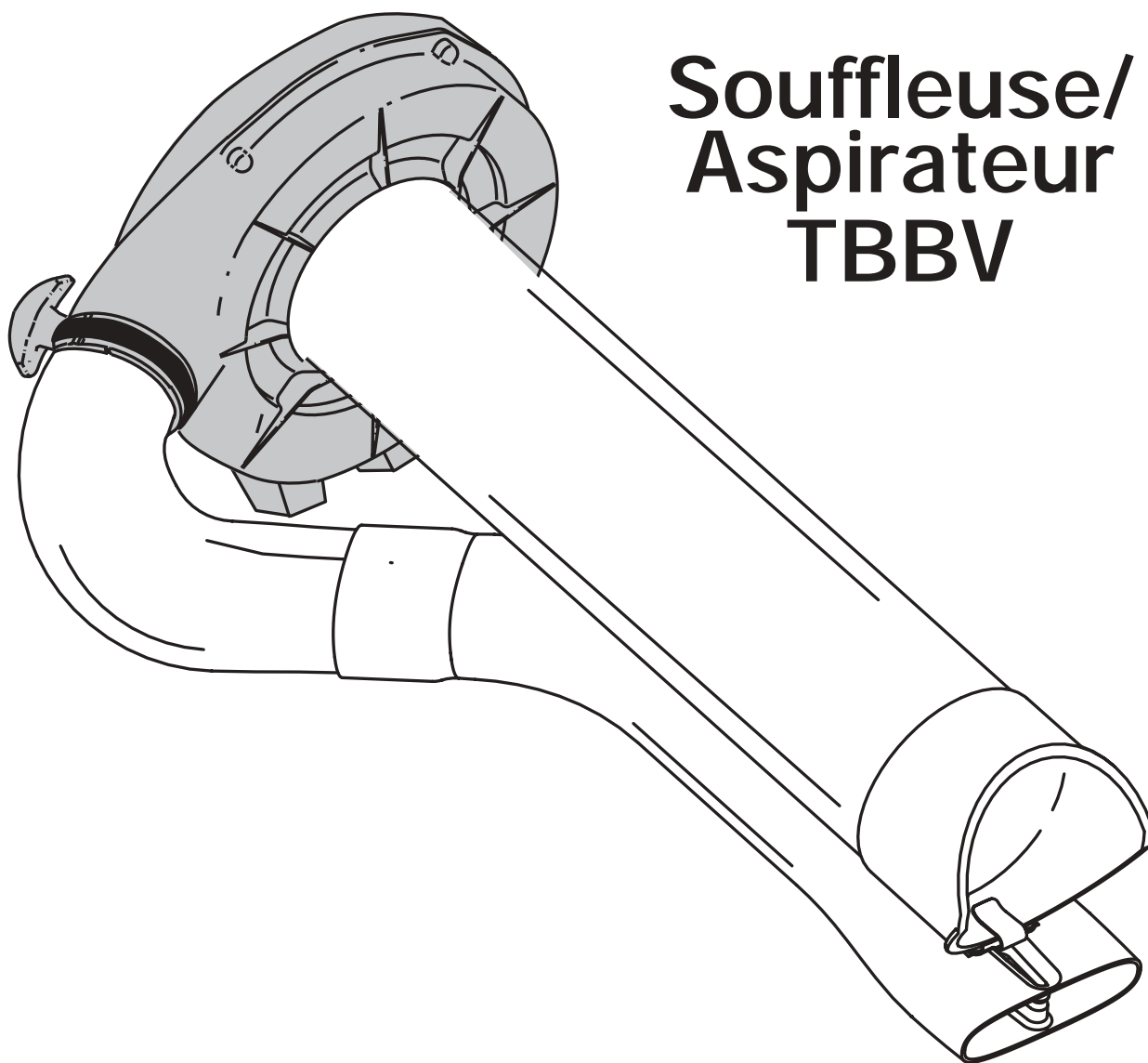
Troy-Bilt LLC

P.O. Box 361131

Cleveland, OH 44136-0019



Manuel de L'utilisateur



Souffleuse/ Aspirateur TBBV



IMPORTANT: LISEZ LES RÈGLES ET CONSIGNES DE SÉCURITÉ SOIGNEUSEMENT
TROY-BILT LLC, P.O. BOX 361131, CLEVELAND, OH 44136-0019

P/N 769-00423 (9/02)
PRINTED IN USA

INTRODUCTION

TOUS NOS REMERCIEMENTS

Nous vous remercions d'avoir acheté ce produit de qualité. Cet outil moderne de plein air est conçu pour vous rendre service pendant longtemps. Il vous sauvera beaucoup de temps comme vous pourrez vous en rendre compte. Ce manuel de l'utilisateur comporte un mode d'emploi facile à comprendre. Prenez soin de le lire au complet et de respecter toutes les instructions pour conserver votre outil en excellent état de fonctionnement.

RÉFÉRENCES, ILLUSTRATIONS ET SPÉCIFICATIONS RELATIVES AU PRODUIT

Toutes les informations, illustrations et spécifications contenues dans ce manuel tiennent compte des dernières informations techniques disponibles au moment de mettre sous presse. Nous nous réservons le droit de les modifier à tout moment, sans préavis.

Copyright ©2002 MTD SOUTHWEST INC

Tous droits réservés.

Troy-Bilt^{MD} est une marque déposée de MTD SOUTHWEST INC

ENTRETIEN

L'entretien de cet appareil pendant et en dehors de la période de garantie devrait être réalisé par un concessionnaire agréé.

Téléphonez au :

- 1-330-558-7220

ou

- 1-866-840-6483 pour obtenir une liste des concessionnaires agréés les plus proches.

**NE RETOURNEZ PAS L'APPAREIL CHEZ LE
DETAILLANT.**

**REMARQUE : FACTURE D'ACHAT EXIGÉE
POUR LE SERVICE SOUS GARANTIE.**

Prenez soin de lire et de bien comprendre ce manuel avant de démarrer ou de faire fonctionner cet équipement.

CE PRODUIT EST COUVERT PAR UN OU PLUSIEURS BREVETS AMÉRICAINS, ET D'AUTRES SONT EN INSTANCE.

AVERTISSEMENT !

Lisez le(s) manuel(s) de l'utilisateur et suivez tous les avertissements et consignes de sécurité. Vous pourriez à défaut entraîner des blessures graves pour vous ou d'autres personnes.

TABLE DES MATIÈRES

I.	Consignes de sécurité	F3-F6
	A. Importantes consignes de sécurité	F3-F4
	B. Symboles de sécurité et internationaux	F5
	C. Familiarisez-vous avec votre appareil	F6
II.	Mode d'emploi	F7
III.	Instructions d'utilisation	F8-F9
	A. Montage du coupleur	F8
	B. Conseils pratiques	F9
IV.	Instructions de d'entretien	F10
	A. Entreposage	F10
	B. Transport	F10
	C. Accessoires/Pièces de rechange	F10
V.	Caractéristiques	F10
VI.	Garantie	F12

CONTENU DE L'EMBALLAGE

Cet appareil comporte les éléments suivants :

- Accessoire de souffeuse/aspirateur TBBV
- Ensemble du tube de soufflage
- Ensemble du tube d'aspirateur et du sac d'aspirateur
- Crochet
- Manuel de l'utilisateur
- Carte d'enregistrement du produit

REMARQUE : ce produit est prévu pour être utilisé sur une tête d'entraînement à essence ou électrique.

CONSIGNES DE SÉCURITÉ

Les symboles de sécurité attirent votre attention sur des dangers potentiels. Ces symboles et leurs détails explicatifs méritent que vous les lisiez et compreniez bien. Les avertissements de sécurité ne peuvent éviter les dangers de par eux-mêmes. Les consignes ou mises en garde qu'ils donnent ne remplacent pas des mesures préventives appropriées contre les accidents.

SYMBOLE	SIGNIFICATION
---------	---------------



SYMBOLE D'ALERTE DE SÉCURITÉ : indique un danger, un avertissement ou une mise en garde. Soyez vigilant afin d'éviter toute blessure grave. Ce symbole peut être combiné à d'autres symboles ou pictogrammes.

REMARQUE : donne des informations ou des instructions vitales pour le fonctionnement ou l'entretien de l'équipement.



DANGER : le non-respect d'un avertissement entraînera des blessures graves pour tous. Respectez toujours les consignes de sécurité afin de réduire les risques d'incendie, de choc électrique et de blessures.



AVERTISSEMENT : le non-respect d'un avertissement peut entraîner des blessures graves pour tous. Respectez toujours les consignes de sécurité afin de réduire les risques d'incendie, de choc électrique et de blessures.



MISE EN GARDE : le non-respect d'un avertissement risque d'entraîner des dommages matériels ou des blessures graves pour tous. Respectez toujours les consignes de sécurité afin de réduire les risques d'incendie, de choc électrique et de blessures.

• IMPORTANTES CONSIGNES DE SÉCURITÉ •

LISEZ TOUTES LES INSTRUCTIONS



AVERTISSEMENT : suivez soigneusement les consignes de sécurité lorsque vous utilisez cet appareil. Dans l'intérêt de votre sécurité et de celle des personnes à proximité, prenez soin de lire ces instructions avant de faire fonctionner la machine. Veuillez garder les instructions en lieu sûr pour usage ultérieur.

AVANT L'UTILISATION

- Prenez soin de bien lire et comprendre le manuel de l'appareil qui alimente cet accessoire.
- Veuillez lire le manuel de l'utilisateur attentivement. Familiarisez-vous avec les commandes et l'utilisation correcte de l'appareil. Sachez comment arrêter l'appareil et désactiver les commandes rapidement.
- N'utilisez pas l'appareil si vous êtes fatigué, malade ou sous l'effet de l'alcool, de drogues ou de médicaments.
- Ne laissez pas les enfants faire fonctionner l'appareil. Ne laissez jamais des adultes qui ne se sont pas familiarisés avec les instructions utiliser l'appareil. Ne laissez jamais des adultes n'ayant jamais reçu les instructions nécessaires faire fonctionner l'appareil.
- Tous les accessoires de sécurité et protections doivent être correctement installés avant d'utiliser cet appareil.
- Inspectez l'appareil avant utilisation.
- Dégagez la zone avant chaque utilisation. Enlevez tous les objets pouvant être projetés ou happés par l'accessoire : cailloux, verre brisé, clous, fil ou ficelle. En tant qu'aspirateur, l'appareil est conçu pour ramasser des matériaux secs comme des feuilles, de l'herbe, des brindilles et des morceaux de papier. Pour éviter d'endommager sérieusement l'hélice, évitez d'aspirer des débris humides, du métal, du verre brisé, du gravier, des cailloux, etc.

AVERTISSEMENTS DE SÉCURITÉ SPÉCIAUX POUR LES TÊTES D'ENTRAÎNEMENT À ESSENCE ET LES SOUFFLEUSES/ASPIRATEURS



AVERTISSEMENT: l'essence est extrêmement inflammable et ses vapeurs peuvent exploser si on y met le feu. Veuillez prendre les précautions suivantes :

- Ne stockez le carburant que dans des contenants spécialement conçus et homologués pour le stockage de ce type de matières.

- Arrêtez toujours le moteur et laissez-le refroidir avant de remplir le réservoir de carburant. N'enlevez jamais le bouchon du réservoir et n'ajoutez jamais de carburant pendant que le moteur est chaud. Ne faites jamais fonctionner l'appareil sans que le bouchon de carburant soit bien mis. Desserrez lentement le bouchon afin de réduire la pression du réservoir.
- Mélangez et ajoutez le carburant dans un endroit bien aéré et propre en plein air à l'abri des étincelles ou des flammes. N'enlevez lentement le bouchon du réservoir d'essence qu'après avoir arrêté le moteur. Ne fumez pas pendant le remplissage ou le mélange de carburant. Essuyez immédiatement tout déversement de carburant de l'appareil.
- Évitez de créer une source d'allumage pour le carburant déversé. Ne démarrez pas le moteur avant que les vapeurs de carburant ne se soient dissipées.
- Éloignez l'appareil d'au moins 9,1 m (30 pi) de la source de ravitaillement en carburant avant de démarrer le moteur. Ne fumez pas et éloignez toute source d'étincelles ou de flammes vives du lieu de ravitaillement ou de fonctionnement de l'appareil.
- Évitez de démarrer ou de faire marcher l'appareil à l'intérieur d'une pièce ou d'un bâtiment fermé. La respiration de fumées d'échappement peut tuer. Ne faites fonctionner cet appareil qu'à l'extérieur, dans un endroit bien aéré.

AVERTISSEMENTS DE SÉCURITÉ SPÉCIAUX POUR LES TÊTES D'ENTRAÎNEMENT ÉLECTRIQUES ET LES SOUFFLEUSES/ASPIRATEURS

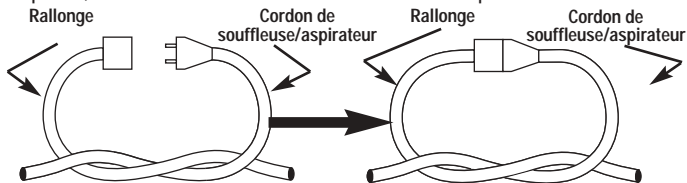


AVERTISSEMENT : afin de diminuer les risques d'électrocution, utilisez uniquement des rallonges homologuées pour l'usage à l'extérieur : type SW-A, SOW-A, STW-A, STOW-A, SJW-A, SJOW-A, SJTW-W ou SJTOW-A. Vous pourrez vous en procurer chez votre détaillant. Utilisez uniquement des rallonges à prise ronde, homologuées pour l'usage à l'extérieur.

- **CORDONS** : assurez-vous que votre cordon est en bon état et assez solide pour transporter le courant nécessaire à l'appareil. Il peut sinon provoquer une chute de tension entraînant une panne de courant et une surchauffe. Reportez-vous au calibre de cordon recommandé dans le manuel de l'utilisateur de l'appareil motorisé.
- Inspectez régulièrement toutes les rallonges ainsi que la connexion d'alimentation de l'appareil. Soyez à l'affût de signes de détérioration, de coupures ou de fissures dans l'isolation. Vérifiez aussi que les connexions ne sont pas endommagées.

CONSIGNES DE SÉCURITÉ

- Évitez que la tête d'entraînement de la souffeuse/aspirateur ne se déconnecte de la rallonge en utilisant une sangle de fixation ou un connecteur de retenue de la fiche et de la prise, ou en faisant un nœud comme indiqué ci-dessous:



- Évitez les lieux dangereux. N'utilisez jamais l'appareil dans des conditions humides ou mouillées. L'humidité peut provoquer l'électrocution.
- N'utilisez pas l'appareil sous la pluie. Ne l'utilisez pas à proximité de l'eau.
- Ne manipulez pas la prise ou l'appareil les mains mouillées ou debout sur une surface mouillée.
- Ne laissez pas l'appareil branché quand il ne sert pas, lors d'un entretien ou d'un changement d'accessoires.

PENDANT L'UTILISATION DE L'APPAREIL

- Tenez les visiteurs, surtout les enfants et les animaux familiers à une distance d'au moins 15 m (50 pi).
- Portez des lunettes de sécurité conformes aux normes ANSI Z87.1 ainsi que des protège-oreilles durant l'utilisation de l'appareil. Portez un masque facial ou antipoussières si vous travaillez dans un lieu poussiéreux.
- Portez des pantalons épais et longs, des bottes, des gants et une chemise à manches longues. Ne marchez pas pieds nus et évitez les vêtements lâches, bijoux, pantalons courts et sandales. Relevez les cheveux au-dessus des épaules.
- N'utilisez l'appareil qu'en plein jour ou avec un bon éclairage artificiel.
- Utilisez les outils appropriés. N'employez l'outil que pour son usage prévu.
- Lorsque vous aspirez, gardez l'ouverture de prise d'air exempte de débris.
- Évitez les situations pouvant mettre le feu au sac d'aspirateur. Ne faites pas marcher l'appareil près d'une flamme vive. N'aspirez pas les cendres chaudes des foyers à bois ou de barbecue, des tas de broussailles, etc. ni les cigares ou cigarettes.
- N'utilisez jamais l'appareil sans son tube d'aspirateur et sac d'aspirateur, ou son tube de soufflage.
- N'essayez jamais de déboucher le tube d'aspirateur ou le tube de soufflage pendant que le moteur est en marche.
- N'utilisez jamais l'appareil avec un sac d'aspirateur endommagé. Les sacs sont susceptibles de se détériorer en cours d'utilisation. Vérifiez si le sac est endommagé et remplacez-le au besoin. Un sac endommagé peut laisser passer des objets et causer des blessures.
- Avant de démarrer l'appareil, assurez-vous toujours que la fermeture éclair du sac est bien fermée.
- Ne forcez pas l'appareil. Il posera moins de risques de blessures et fonctionnera mieux à la vitesse pour laquelle il a été conçu.
- Ne vous étirez pas et faites très attention lorsque vous travaillez sur des pentes ou inclinaisons abruptes. Tenez-vous toujours bien campé, en position d'équilibre.
- Tenez toujours l'appareil des deux mains lorsque vous le faites marcher. Agrippez fermement les poignées avant et arrière.

- Gardez les mains, le visage et les pieds éloignés des pièces mobiles. Ne touchez pas l'hélice en rotation ni essayez de l'arrêter. Ne faites pas fonctionner l'appareil sans les protections.
- N'introduisez aucun objet dans les ouvertures. N'utilisez pas l'appareil avec des ouvertures bouchées; protégez-le des saletés et débris ou de toute matière restreignant le débit d'air.
- Ne faites pas tourner le moteur à un régime excessif pour l'élagage. Ne faites pas tourner l'appareil à haut régime si vous ne faites pas d'élagage.
- Arrêtez toujours l'appareil si vous suspendez la coupe ou si vous vous déplacez d'un lieu de travail vers un autre.
- Si vous heurtez ou happez un corps étranger, arrêtez le moteur immédiatement et vérifiez que rien n'a été endommagé. Réparez tout dommage éventuel avant de poursuivre le travail.
- Arrêtez le moteur IMMÉDIATEMENT si vous ressentez une vibration excessive car cela indique un problème. Vérifiez soigneusement qu'il n'y a ni écrous ni boulons desserrés, ni aucun dommage avant de continuer. Réparez ou remplacez au besoin les pièces affectées.
- Arrêtez et éteignez l'appareil dans ces cas-ci : entretien, réparation, changement d'accessoires. L'appareil et les hélice doivent être arrêtés pour éviter toute blessure.
- N'utilisez que des pièces de rechange et accessoires d'usine pour cet appareil. Ils sont disponibles auprès de votre concessionnaire agréé. L'utilisation de toutes pièces ou de tous accessoires non-autorisés peut entraîner des blessures graves ou des dommages à l'appareil et l'annulation de votre garantie.

AUTRES AVERTISSEMENTS DE SÉCURITÉ

- Laissez l'appareil refroidir avant de l'entreposer ou de le transporter. Attachez bien l'appareil pendant le transport.
- Rangez l'appareil dans un lieu sec, verrouillé ou élevé pour éviter les accidents ou une utilisation non autorisée. Gardez hors de portée des enfants.
- Ne trempez et n'arrosez jamais l'appareil avec de l'eau ou un liquide quelconque. Gardez les poignées sèches, propres et exemptes de débris. Nettoyez l'appareil et les étiquettes avec une éponge humide. Nettoyez après chaque utilisation.
- Conservez ces instructions. Consultez-les souvent et servez-vous en pour instruire d'autres usagers. Si vous prêtez l'appareil à quelqu'un, prêtez-lui également ces instructions.
- Les réparations ou les procédures d'entretien qui ne sont pas décrites dans le manuel doivent être strictement confiées à des techniciens qualifiés.
- Vérifiez à intervalles fréquents que les boulons des forces à tondre et les boulons de montage du moteur et autres sont bien serrés afin de vous assurer que l'équipement fonctionne correctement.
- À l'intérieur d'un bâtiment, rangez l'appareil à l'écart des sources d'allumage. Laissez le moteur refroidir avant de l'entreposer dans une enceinte.
- Reportez-vous toujours aux importantes instructions du manuel de l'utilisateur si vous prévoyez d'entreposer l'appareil pendant une durée prolongée.
- N'essayez pas de réparer l'appareil à moins de disposer des outils appropriés et des instructions de démontage et de réparation de la machine.

CONSERVEZ CES INSTRUCTIONS

CONSIGNES DE SÉCURITÉ

SYMBOLES DE SÉCURITÉ ET INTERNATIONAUX

Ce manuel d'utilisation décrit les symboles et pictogrammes de sécurité et internationaux pouvant apparaître sur ce produit. Consulter le manuel d'utilisation pour les informations concernant la sécurité, l'assemblage, le fonctionnement, l'entretien et les réparations.

SYMBOLE

SIGNIFICATION



• SYMBOLE D'ALERTE DE SÉCURITÉ

Indique un danger, un avertissement ou une mise en garde. Ce symbole peut être combiné à d'autres symboles ou pictogrammes.



• AVERTISSEMENT - LISEZ LE MANUEL DE L'UTILISATEUR

Lisez le manuel de l'utilisateur et suivez tous les avertissements et consignes de sécurité. Vous pourriez à défaut entraîner des blessures graves pour vous ou d'autres personnes.



• PORTEZ DES PROTECTIONS (YEUX ET OREILLES)

AVERTISSEMENT : les outils motorisés peuvent projeter des objets et faire beaucoup de bruit, ce qui peut gravement blesser les yeux et endommager l'ouïe. Portez toujours des lunettes de sécurité conformes aux normes ANSI Z87.1 ainsi que des protège-oreilles durant l'utilisation de l'appareil. Protégez-vous le visage avec un masque intégral au besoin.



• ÉLOIGNEZ LES SPECTATEURS

AVERTISSEMENT : éloignez les spectateurs, les enfants et les animaux domestiques en particulier, d'au moins 15 m (50 pi) de la zone de coupe.



• LES OBJETS PROJÉTÉS ET LA TÊTE COUPANTE ROTATIVE PEUVENT INFLIGER DES BLESSURES GRAVES

AVERTISSEMENT : ne faites pas fonctionner l'appareil sans les accessoires et protections nécessaires.



• SOUFFLEUSE/ASPIRATEUR - L'HÉLICE ROTATIVE PEUT INFLIGER DES BLESSURES GRAVES

AVERTISSEMENT : arrêtez le moteur avant d'installer ou de changer les tubes ou le sac et avant toute opération de nettoyage, d'entretien ou de réparation. Ne mettez pas les mains ou un autre objet dans le boîtier du ventilateur. Gardez les mains et les pieds éloignés de l'hélice en rotation.

CONSIGNES DE SÉCURITÉ

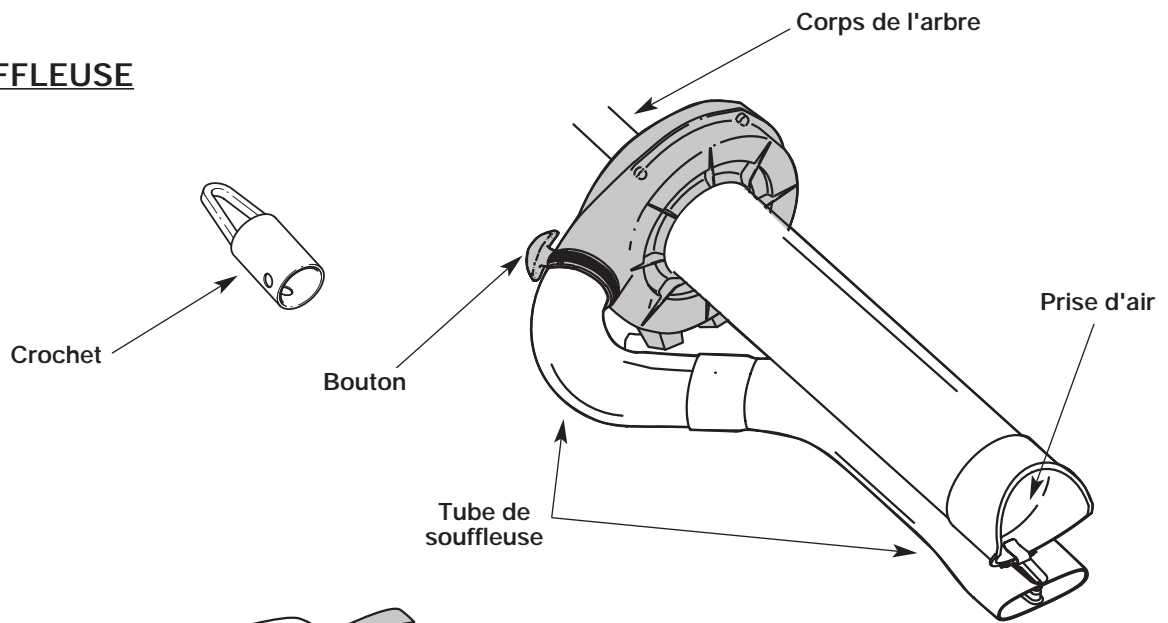
FAMILIARISEZ-VOUS AVEC L'APPAREIL

APPLICATIONS

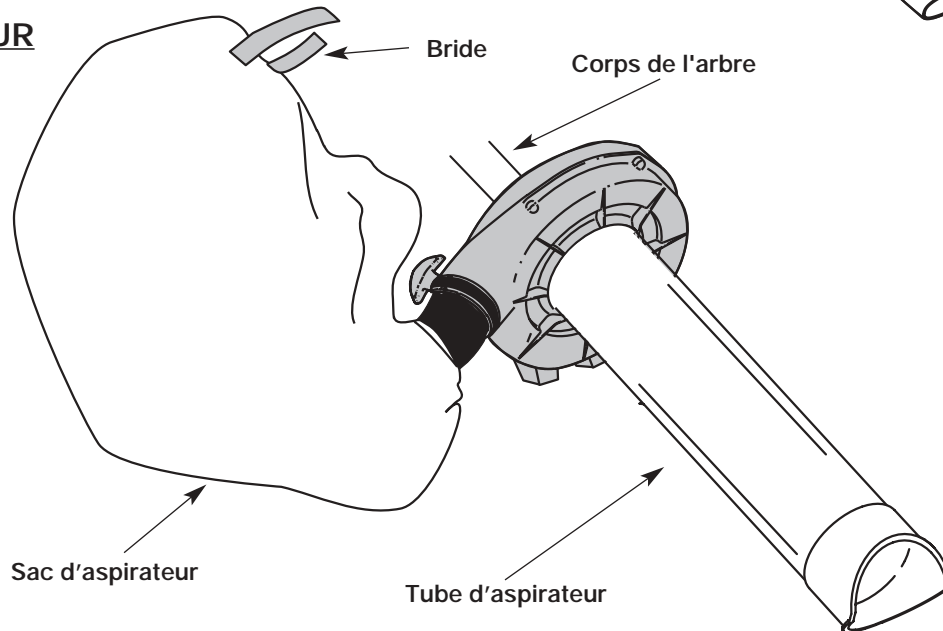
Avec l'accessoire de souffleuse/aspirateur :

- Conversion facile de la souffleuse en aspirateur.
- Tube de gros diamètre permettant une collecte facile des débris.
- Déchiquette les débris.

SOUFFLEUSE



ASPIRATEUR



INSTRUCTIONS DE MONTAGE

REMARQUE : votre appareil est livré entièrement monté en tant que souffleur. Les instructions ci-dessous permettent de convertir l'appareil de souffleur en aspirateur.



AVERTISSEMENT : pour éviter des blessures graves et ne pas endommager l'appareil, éteignez l'appareil avant d'enlever ou d'installer des accessoires.

CONVERSION EN ASPIRATEUR

1. Dévissez le bouton de serrage du boîtier de la souffleur dans le sens contraire des aiguilles d'une montre.
2. Retirez le tube de soufflage.
3. Installez le coude du sac d'aspirateur et vissez le bouton dans le sens des aiguilles d'une montre. (Fig. 1)

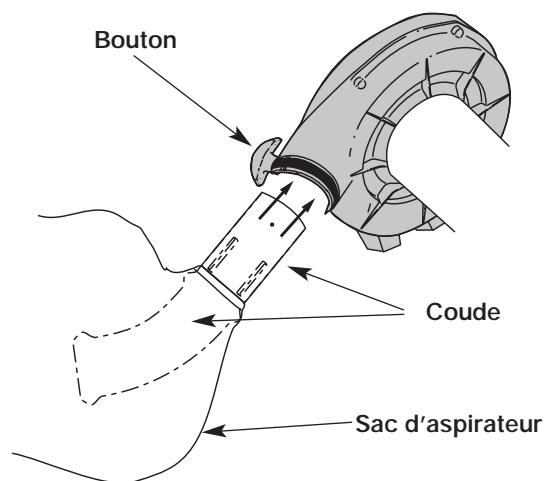


Fig. 1

4. Fixez la bride sur l'arbre, au-dessus de la poignée de maintien, située sur la tête d'entraînement. (Fig. 2)

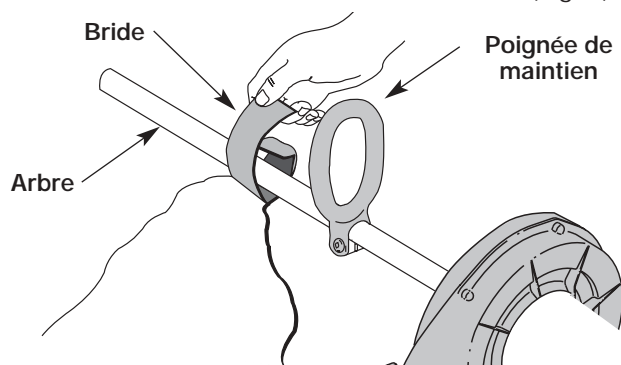


Fig. 2

CONVERSION EN SOUFFLEUSE

1. Retirez le sac d'aspirateur.
2. Fixez le tube de soufflage à l'extrémité du tube d'aspirateur. (Fig. 3)

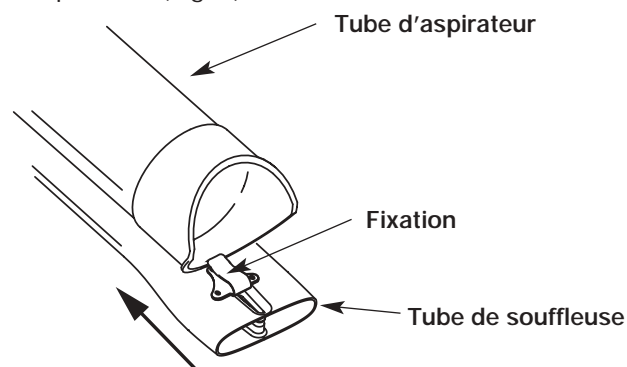


Fig. 3

3. Installez le tube de soufflage et vissez le bouton. (Fig. 4)

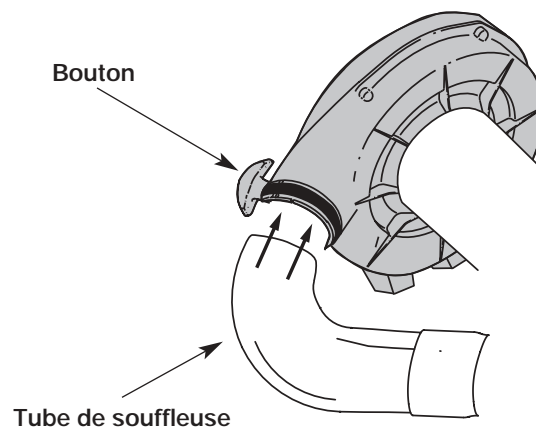


Fig. 4

MODE D'EMPLOI

MONTAGE DU COUPLEUR

Les accessoires Troy-Bilt suivants sont également disponibles pour votre appareil :

Cultivateur	TBGC
Taille-haies	TBHS
Coupe-bordure	TBLE
Désherbeuse à arbre droit	TBSS
Souffleuse à neige	TBST
Turbosouffleuse	TBTB
Élagueuse	TBTP

Retrait de l'accessoire



AVERTISSEMENT : veuillez bien assimiler le manuel des accessoires avant utilisation.

1. Dévissez le bouton vers la gauche (Fig. 5).
2. Appuyez sur le bouton de déclenchement et maintenez-le enfoncé (Fig. 5).
3. En tenant fermement le logement de l'arbre supérieur, retirez l'accessoire soufflante/aspirateur du couplage (Fig. 6).

Installation de l'accessoire



AVERTISSEMENT : pour éviter des blessures graves, éteignez l'appareil avant d'enlever ou d'installer des accessoires.

REMARQUE : pour faciliter l'installation ou le retrait d'accessoires, placez l'appareil au sol ou sur un établi.

1. Enlevez le crochet de la partie supérieure du corps de l'arbre.
2. Dévissez le bouton vers la gauche (Fig. 5).
3. Tenez fermement l'accessoire et enfoncez-le tout droit dans le coupleur (Fig. 6).

REMARQUE : alignez le bouton de déclenchement avec le renforcement-guide pour faciliter l'installation (Fig. 5).

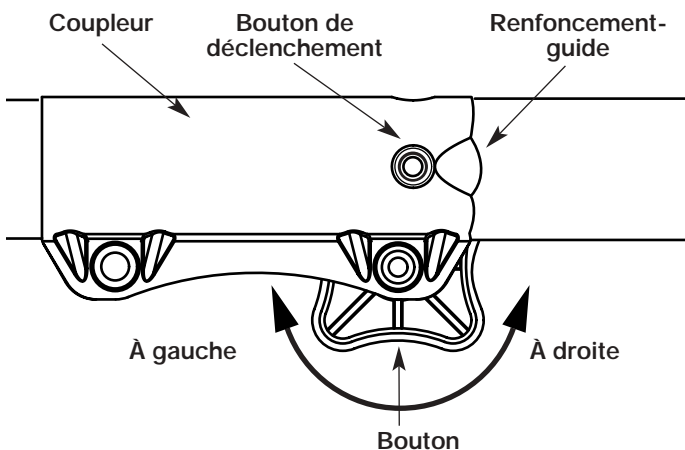


Fig. 5

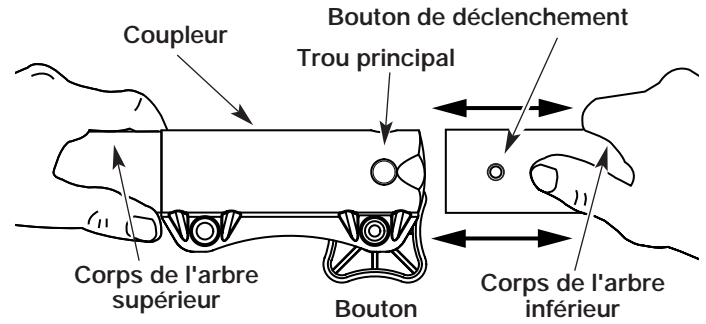


Fig. 6

4. Serrez le bouton en le tournant à droite (Fig. 7).



MISE EN GARDE : verrouillez le bouton de déclenchement dans le trou principal (Fig. 6) et vissez bien le bouton avant de faire marcher l'appareil.

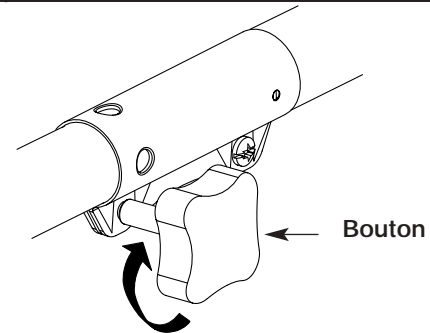


Fig. 7



MISE EN GARDE : les accessoires avec coupleur doivent utiliser le trou principal uniquement. L'utilisation du mauvais trou pourrait causer des blessures ou endommager l'appareil.

L'accessoire de souffleuse/aspirateur doit être installé avec le bouton de déclenchement dans **le trou principal**.

Vérifiez que le bras flexible est bien engagé avant l'utilisation

1. Démarrez l'appareil.
2. Appuyez brièvement sur la détente, puis relâchez-la.
3. Vérifiez le fonctionnement de l'accessoire.
4. S'il ne fonctionne pas, retirez-le et répétez la procédure d'installation.
5. Vérifiez de nouveau le fonctionnement de l'accessoire.

MODE D'EMPLOI

CONSEILS D'UTILISATION

REMARQUE : déplacez l'appareil en un mouvement de va-et-vient lent par-dessus les débris à aspirer ou souffler.

REMARQUE : pour aspirer un gros tas de débris, procédez de l'extérieur vers l'intérieur du tas. Ne forcez pas le tube de succion dans le tas de débris car cela pourrait boucher l'appareil.

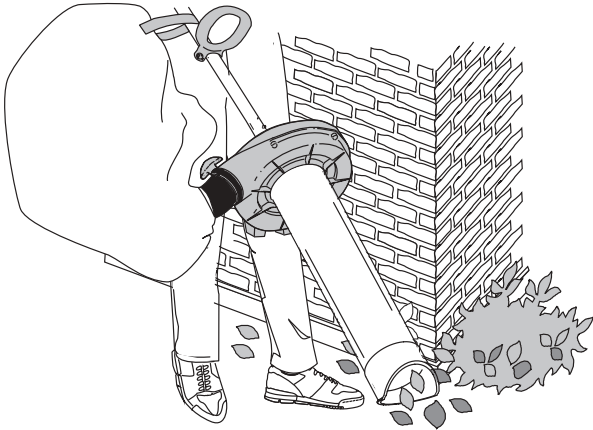


Fig. 8

UTILISATION COMME ASPIRATEUR

1. Vous pouvez vous servir de l'aspirateur pour nettoyer autour des pierres, sous les arbustes et les arbres, le long des murs ou pour aspirer les tas de débris formés par la souffleuse. (Fig. 8)
2. Débranchez l'appareil avant d'enlever le sac. Une fois le sac retiré, secouez-le vigoureusement pour le vider complètement. (Fig. 9)

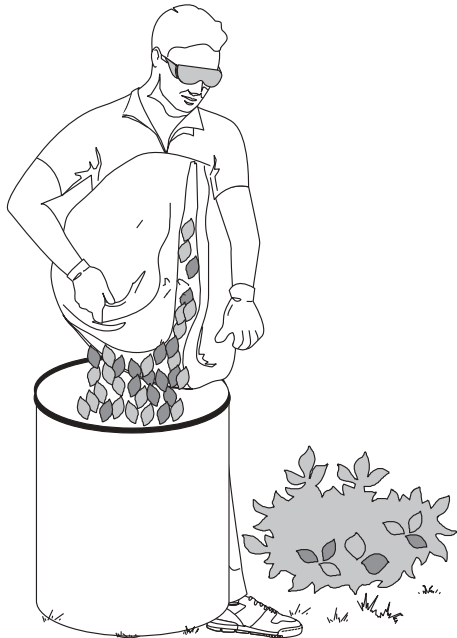


Fig. 9

UTILISATION COMME SOUFFLEUSE

1. Vous pouvez souffler les débris le long des bâtiments, des arbres, des arbustes et des massifs de fleurs, ou les entasser. (Fig. 10)



Fig. 10

CONSEILS D'UTILISATION

- Assurez-vous que le sac de l'aspirateur est bien fermé avant d'utiliser l'appareil.
- Assurez-vous que l'appareil n'est pas dirigé vers des personnes ou des débris épars avant de le démarrer.
- Vérifiez que l'appareil est en bon état de fonctionnement et que les tubes et carters sont bien en place.
- Tenez toujours l'appareil des deux mains lorsque vous l'utilisez. Tenez fermement les manettes ou poignées avant et arrière.
- Pour réduire le risque de perte auditive associé au niveau sonore, il est nécessaire de porter une protection antibruit.
- Faites attention aux enfants, animaux, fenêtres ouvertes et voitures propres et soufflez les débris dans une autre direction.
- Après avoir utilisé un souffleur ou un autre appareil, NETTOYEZ ! Jetez les débris dans une poubelle.

ENTRETIEN ET RÉPARATIONS

ENTREPOSAGE

- Vérifiez l'appareil avant de le ranger pour vous assurer qu'il est en bon état de fonctionnement.
- Arrêtez le moteur.
- Rangez l'appareil à l'intérieur, dans un lieu sec et verrouillé, hors de portée des enfants.

Pour les unités à tête d'entraînement à essence :

- Laissez l'appareil refroidir avant de l'entreposer dans une enceinte.
- Vidangez tout le carburant de l'appareil. Ne rangez jamais l'appareil avec du carburant dans le réservoir à l'intérieur d'un bâtiment où se trouvent des sources potentielles d'allumage tels que des radiateurs à eau chaude ou indépendants, des sècheuses, etc.

TRANSPORT

- Laissez le moteur refroidir avant de l'entreposer.
- Attachez bien l'appareil lors du transport.

Pour les unités à tête d'entraînement à essence :

- Videz tout le carburant de l'appareil.
- Serrez le bouchon du réservoir avant le transport.

ACCESSOIRES/PIÈCES DE RECHANGE

Ens. de sac d'aspirateur	791-180108
Ens. de tube d'aspirateur	753-1215
Ens. de tube de souffleuse	791-181641

N'utilisez que des pièces de rechange et accessoires d'usine pour cet appareil.

CARACTÉRISTIQUES

ACCESSOIRE DE SOUFFLEUSE/ASPIRATEUR

Poids de l'accessoire :	10,1 kg (4,6 lb)
Capacité du sac	0,0728 m ³ (2 boisseaux)
Vitesse de l'air	195 km/h (120 mph) max.
Logement de l'arbre d'entraînement	Tube en acier

GARANTIE LIMITÉE DU FABRICANT POUR :



La garantie limitée énoncée ci-après est accordée par Troy-Bilt LLC et concerne les marchandises neuves achetées et utilisées aux États-Unis, ses possessions et territoires.

Troy-Bilt LLC garantit ce produit contre tout vice de matière ou de façon pendant une période de deux (2) ans à compter de la date d'achat initiale et elle se réserve le choix de réparer ou de remplacer, à titre gratuit, toute pièce présentant un vice de matière ou de façon. Cette garantie limitée ne s'appliquera que dans la mesure où le produit aura été utilisé et entretenu conformément au Manuel de l'utilisateur fourni avec le produit et n'aura pas fait l'objet d'un usage inadéquat, abusif, commercial ou négligent, d'un accident, d'un entretien inadéquat, d'une modification, de vandalisme, d'un vol, d'un incendie, de dégâts d'eau ou d'un endommagement résultant d'un autre péril ou d'un désastre naturel. Les dommages résultants de l'installation ou de l'utilisation de tout accessoire ou équipement non approuvé par Troy-Bilt pour une utilisation avec le(s) produit(s) couvert(s) par le présent manuel annuleront la garantie en ce qui concerne les dommages qui en résulteraient éventuellement. La présente garantie est limitée à quatre-vingt-dix (90) jours à compter de la date d'achat au détail initiale pour tout produit Troy-Bilt utilisé à des fins locatives ou commerciales, ou toute utilisation produisant des revenus.

POUR L'OBTENTION DU SERVICE DE GARANTIE : le service au titre de la garantie est disponible, SUR PRÉSENTATION D'UNE PREUVE D'ACHAT, AUPRÈS DU DISTRIBUTEUR AGRÉÉ LOCAL. Pour trouver un distributeur dans votre région, visitez notre site Web www.troybilt.com, consultez les Pages Jaunes, appelez le 1 (866) 840-6483 ou le 1 (330) 558-7220 ou écrivez à l'adresse P.O. Box 361131, Cleveland, OH 44136-0019.

La garantie limitée n'offre aucune couverture dans les cas suivants :

- A. Mises au point : bougies, réglages de carburateur, filtres
- B. Éléments pouvant s'user : boutons de butée, bobines extérieures, fil de coupe, moulins intérieurs, poulie du démarreur, cordons de démarrage, courroies d'entraînement
- C. Troy-Bilt LLC n'accorde aucune garantie pour les produits vendus ou exportés des États-Unis d'Amérique, de leurs possessions et territoires, exception faite en ce qui concerne les produits vendus par l'intermédiaire de ses canaux agréés de distribution à l'exportation.

Troy-Bilt LLC se réserve le droit de modifier ou d'améliorer la conception de ses produits sans pour autant assumer l'obligation de modifier tout produit d'une fabrication plus ancienne.

Aucune garantie implicite, y compris toute garantie de valeur marchande ou d'adaptation à une fin particulière, ne s'applique après la période applicable de garantie expresse écrite ci-dessus concernant les pièces qui sont identifiées. Aucune autre garantie ou caution expresse, écrite ou orale, à l'exception de celle mentionnée ci-dessus, accordée par toute personne ou entité, y compris tout distributeur ou détaillant, concernant tout produit n'engagera la responsabilité de Troy-Bilt LLC. Pendant la période de garantie, le recours exclusif est la réparation ou le remplacement du produit dans les conditions énoncées ci-dessus. (Certains états ne permettent pas la limitation de la garantie implicite, il est donc possible que la limitation ci-dessus ne s'applique pas à vous.)

Les clauses énoncées dans la présente Garantie constituent le recours unique et exclusif inhérent aux ventes. Troy-Bilt LLC ne sera en aucun cas tenue pour responsable de tout dommage indirect ou consécutif ou de dommages comprenant, entre autres, les dépenses encourues du fait du recours à des services de remplacement ou de substitution pour l'entretien des pelouses, le transport ou des frais connexes, ou les frais entraînés par une location destinée à remplacer provisoirement un produit sous garantie. (Certains états ne permettent pas la limitation de la garantie implicite, il est donc possible que la limitation ci-dessus ne s'applique pas à vous.)

Aucun recouvrement, quel qu'il soit, ne sera d'un montant supérieur au prix du produit vendu. Toute modification des dispositifs de sécurité du produit annulera la présente Garantie. Vous assumez tout risque et toute responsabilité résultant de la perte, de l'endommagement ou du préjudice que vous et votre propriété et/ou d'autres et leur propriété pourront encourir d'un fait de l'utilisation normale, de la mauvaise utilisation ou de l'incapacité d'utiliser le produit.

La présente garantie limitée n'est accordée qu'à l'acheteur initial, au preneur initial ou à la personne à laquelle le produit a été offert.

Le Droit des États vis à vis de la présente garantie : la présente garantie vous confère certains droits juridiques et vous pouvez bénéficier d'autres droits lesquels varient d'un état à l'autre.

Pour obtenir l'adresse du distributeur réparateur le plus proche, composez le :1 (877) 282-8684.

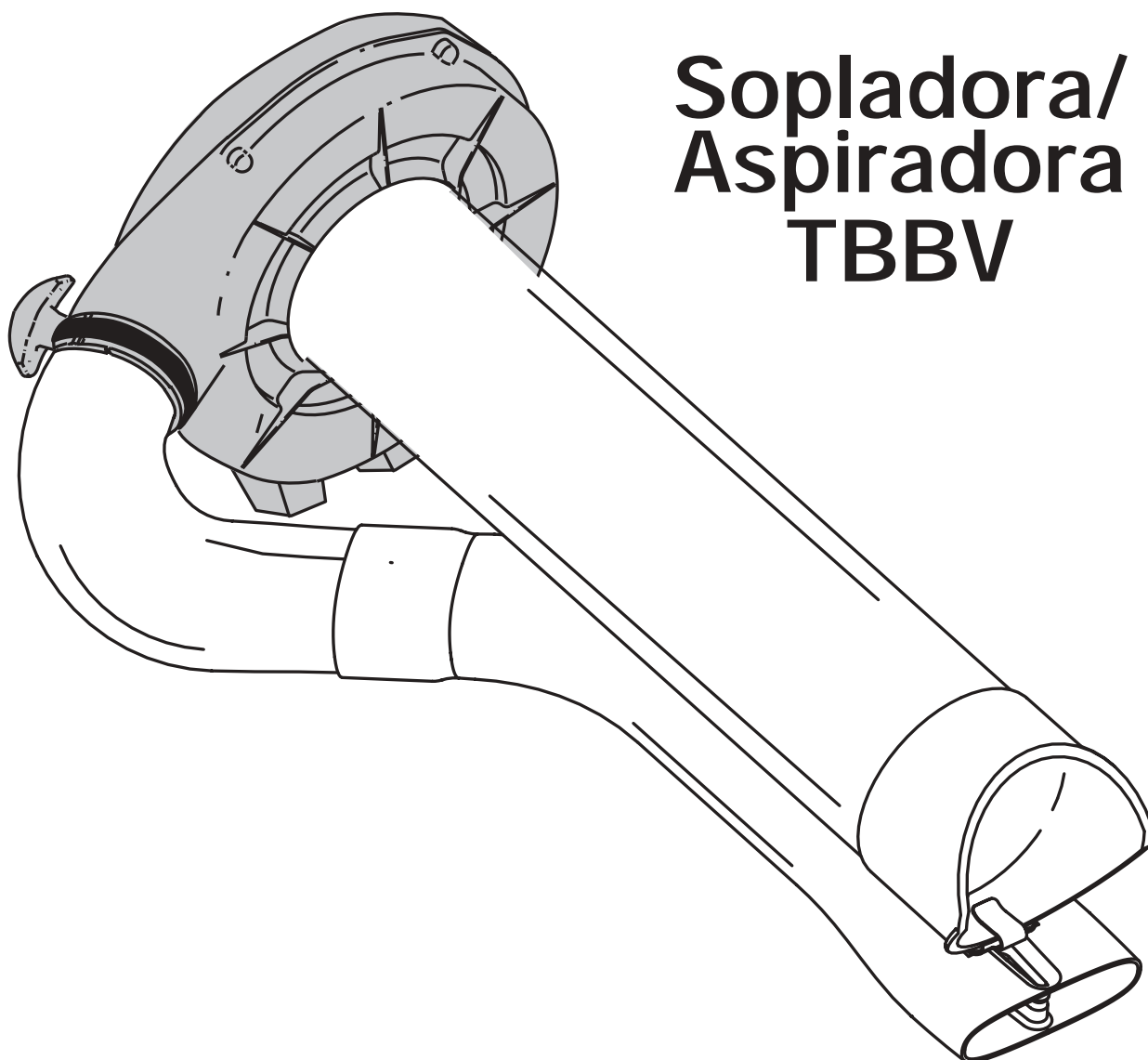
Troy-Bilt LLC

P.O. Box 361131

Cleveland, OH 44136-0019



Manual Del Operador



Sopladora/ Aspiradora TBBV



IMPORTANTE: LEA LAS REGLAS DE SEGURIDAD E INSTRUCCIONES DETENIDAMENTE
TROY-BILT LLC, P.O. BOX 361131, CLEVELAND, OH 44136-0019

P/N 769-00423 (9/02)
PRINTED IN USA

INTRODUCCIÓN

MUCHAS GRACIAS

Gracias por haber adquirido este gran producto. Esta moderna herramienta motriz de exteriores está diseñada para brindarle muchas horas de servicio útil. Usted comprobará que es un artefacto que le ahorrará mucho trabajo. Este manual del operador le brinda instrucciones de operación de fácil comprensión. Lea todo el manual y siga todas las instrucciones para mantener su nueva herramienta motriz para exteriores en las mejores condiciones de funcionamiento.

REFERENCIAS, ILUSTRACIONES Y ESPECIFICACIONES DEL PRODUCTO

Toda la información, las ilustraciones y las especificaciones contenidas en este manual se basan en la información más reciente disponible en el momento de impresión del manual. Nos reservamos el derecho de hacer cambios en cualquier momento sin previo aviso.

Copyright© 2002 MTD SOUTHWEST INC
Todos los derechos reservados.

Troy-Bilt® es una marca registrada de
MTD SOUTHWEST INC

INFORMACIÓN SOBRE SERVICIOS

El servicio a esta unidad, tanto en el periodo de garantía como después del mismo, deberá ser realizado por un proveedor de servicio autorizado y aprobado.

Llame al:

- 1-330-558-7220

O bien, al

- 1-866-840-6483 para obtener la lista de los proveedores de servicio autorizados cerca de usted.

NO DEVUELVA LA UNIDAD AL COMERCIO.

NOTA: SE REQUERIRÁ PRUEBA DE COMPRA PARA EL SERVICIO DE GARANTÍA.

Antes de arrancar u operar este equipo, asegúrese de leer y comprender bien este manual.

ESTE PRODUCTO ESTÁ CUBIERTO POR UNA Ó MÁS PATENTES DE EE.UU. OTRAS PATENTES EN TRÁMITE.

¡ADVERTENCIA!

Lea el manual del operador y siga todas las advertencias e instrucciones de seguridad. De no hacerlo, el operador y/o los espectadores pueden sufrir graves lesiones.

ÍNDICE DE CONTENIDO

I.	Normas para una operación segura	E3-E6
	A. Importante información de seguridad	E3-E4
	B. Símbolos de seguridad e internacionales	E5
	C. Conozca su unidad	E6
II.	Instrucciones de ensamblaje	E7
III.	Instrucciones de operación	E8-E9
	A. Ensamblaje del acoplador	E8
	B. Consejos útiles sobre la operación	E9
IV.	Instrucciones de mantenimiento	E10
	A. Almacenamiento	E10
	B. Transporte	E10
	C. Accesorios/Repuestos	E10
V.	Especificaciones	E10
VI.	Garantía	E12

CONTENIDO DE LA CAJA

Esta unidad debe consistir en lo siguiente:

- Aditamento para Soplador/Aspiradora TBBV
- Conjunto del tubo soplador
- Conjunto del tubo de succión y bolsa de succión
- Suspensor
- Manual del operador
- Tarjeta de registro del producto

NOTA: Este producto ha sido evaluado para uso tanto con cabezales a gasolina como eléctricos

NORMAS PARA UNA OPERACIÓN SEGURA

Los símbolos de seguridad se utilizan para llamar su atención sobre posibles peligros. Los símbolos de seguridad y sus explicaciones merecen toda su atención y comprensión. Los símbolos de seguridad no eliminan ningún peligro por sí mismos. Las instrucciones o advertencias que ofrecen no substituyen las medidas adecuadas de prevención de accidentes.

SÍMBOLO SIGNIFICADO



SÍMBOLO DE ALERTA DE SEGURIDAD: Indica peligro, advertencia o precaución. Debe prestar atención para evitar sufrir graves lesiones personales. Puede utilizarse junto con otros símbolos o figuras.

NOTA: Le ofrece información o instrucciones que son esenciales para la operación o mantenimiento del equipo.



PELIGRO: El no obedecer una advertencia de seguridad puede conducir a que usted u otras personas sufran lesiones graves. Siga siempre las precauciones de seguridad para reducir el riesgo de incendio, descarga eléctrica y lesiones personales.



ADVERTENCIA: El no seguir una advertencia de seguridad puede conducir a que usted u otras personas sufran lesiones. Siga siempre las precauciones de seguridad para reducir el riesgo de incendio, descarga eléctrica y lesiones personales.



PRECAUCIÓN: El no seguir una advertencia de seguridad puede conducir a daño patrimonial o a que usted u otras personas sufran lesiones personales. Siga siempre las precauciones de seguridad para reducir el riesgo de incendio, descarga eléctrica y lesiones personales.

• IMPORTANTE INFORMACIÓN DE SEGURIDAD •

LEA TODAS LAS INSTRUCCIONES



ADVERTENCIA: Debe seguir las siguientes reglas de seguridad cuando use la unidad. Por favor lea estas instrucciones para su propia seguridad y las de los espectadores, antes de hacer funcionar la unidad. Por favor mantenga estas instrucciones en un lugar seguro para uso futuro.

ANTES DE LA OPERACIÓN

- Lea cuidadosamente y entienda el manual del operador de la unidad que impulsa a este acople.
- Lea este manual de instrucciones de funcionamiento detenidamente. Familiarícese completamente con los controles y el uso apropiado del equipo. Sepa cómo apagar la unidad y desactivar los controles con rapidez.
- No opere esta unidad si está cansado, enfermo, o bajo los efectos del alcohol, drogas o medicamentos.
- Nunca permita que los niños manejen el equipo. Nunca permita que los adultos usen la unidad cuando no estén familiarizados con las instrucciones. Nunca permita que las personas adultas manejen el equipo si no cuentan con las instrucciones apropiadas.
- Se debe instalar adecuadamente todos los protectores y dispositivos de seguridad antes de hacer funcionar la unidad.
- Inspeccione la unidad antes de usarla.
- Despeje el área antes de cada uso. Quite todos los objetos tales como piedras, vidrios quebrados, clavos, alambre o cuerdas que puedan ser lanzados o que se puedan enredar en el aditamento. Como aspiradora, la unidad está diseñada para recoger material seco tal como hojas, césped, ramitas y pedazos de papel. Para evitarle daños graves al impulsor, no aspire desechos mojados, metales, vidrios partidos, grava, piedras, etc.

ADVERTENCIAS DE SEGURIDAD ESPECIALES PARA LAS UNIDADES MOTRICES Y SOPLADORA/ASPIRADORA A GAS



ADVERTENCIA: La gasolina es muy inflamable y sus gases pueden explotar si se encienden. Tome las siguientes precauciones:

- Guarde el combustible en envases que hayan sido diseñados y aprobados especialmente para el almacenamiento de dichos materiales.

- Antes de llenar el tanque de combustible, apague siempre el motor y espere que se enfríe. No quite nunca la tapa del tanque de combustible ni abastezca combustible mientras el motor esté caliente. No opere nunca la unidad sin la tapa del combustible puesta firmemente en su lugar. Afloje la tapa del combustible lentamente para disipar la presión del tanque.
- Mezcle y abastezca el combustible en un área exterior, limpia y bien ventilada donde no haya chispas ni llamas. Quite lentamente la tapa del combustible sólo después de apagar el motor. No fume mientras abastezca o mezcle el combustible. Limpie de inmediato todo el combustible que se haya derramado.
- Evite crear una fuente de encendido por combustible derramado. No arranque el motor hasta que se hayan disipado los vapores del combustible.
- Aleje la unidad a por lo menos 30 pies (9.1 m) del lugar y fuente de abastecimiento de combustible antes de arrancar el motor. No fume, mantenga las chispas y las llamas abiertas lejos del área mientras abastezca el combustible u opere la unidad.
- No arranque ni opere la unidad en una sala o edificio cerrado. Los gases de escape de monóxido de carbono pueden ser letales en un área cerrada. Opere esta unidad sólo en un área exterior bien ventilada.

ADVERTENCIAS DE SEGURIDAD ESPECIALES PARA LAS UNIDADES MOTRICES Y SOPLADORA/ASPIRADORA ELÉCTRICOS



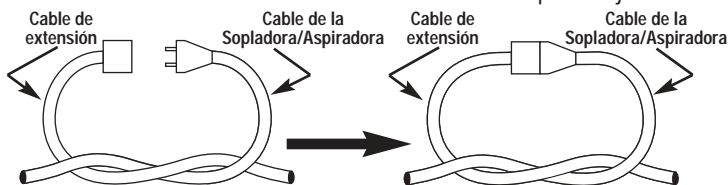
ADVERTENCIA: Para reducir el riesgo de descarga eléctrica, use sólo cables de extensión aprobados para ser usados en exteriores, como los cables de extensión tipo SW-A, SOW-A, STW-A, STOW-A, SJW-A, SJOW-A, SJTW-W o SJTOW-A. Puede adquirir cables de extensión en su distribuidor local. Use sólo cables de extensión de camisa cilíndrica aprobados para uso en exteriores.

- **CABLES DE EXTENSIÓN:** Verifique que su cable de extensión esté en buenas condiciones. Cuando utilice un cable de extensión, verifique que el mismo sea lo suficientemente grueso para conducir la corriente que consume la unidad. Si utiliza un cable demasiado delgado, eso ocasionará una caída de voltaje de la línea, y en consecuencia, una pérdida de potencia y recalentamiento. Lea el manual del operador de la unidad que manejará este accesorio para informarse acerca del tamaño recomendado de cable de extensión.

NORMAS PARA UNA OPERACIÓN SEGURA

• Inspeccione con frecuencia todos los cables de extensión y la conexión de la unidad a la corriente. Revise con cuidado para ver si hay deterioro, cortes o grietas en el aislamiento. Inspeccione también las conexiones para ver si han sufrido daños. Cambie los cables si observa algún defecto o daño.

• Evite la desconexión del cabezal motorizado del soplador/aspiradora del cable de extensión durante el funcionamiento, utilizando un retenedor de enchufe-receptáculo, conector o haciendo un nudo como se muestra aquí debajo:



• Evite los ambientes peligrosos. No opere nunca su unidad en ambientes húmedos ni mojados. La humedad representa un peligro de descarga eléctrica.

• No use la unidad bajo la lluvia. No lo use dentro del agua ni alrededor de ella.

• No toque el enchufe ni la unidad con las manos mojadas ni cuando se pare sobre una superficie mojada.

• No deje la unidad enchufada mientras no la use, mientras cambie los accesorios o aditamentos, ni mientras hace el servicio.

DURANTE LA OPERACIÓN

• Mantenga retirados a los espectadores, especialmente a los niños y animales domésticos por lo menos a 50 ft (15 m) de distancia.

• Use lentes o gafas de protección que cumplan con las normas ANSI Z87.1, y protección para sus oídos/audición mientras opere esta unidad. Use siempre una máscara facial o para protegerse contra el polvo si la operación levanta polvo.

• Use pantalones largos y gruesos y guantes. No vista ropa holgada, alhajas, pantalones cortos, sandalias ni esté descalzo. Asegure su cabello a la altura de los hombros.

• Use la unidad únicamente con la luz diurna o con buena luz artificial.

• Use la herramienta correcta. Use esta herramienta sólo para el trabajo para el que fue diseñada.

• Mantenga la abertura de la toma de aire libre de desechos mientras sopla.

• Evite situaciones que puedan prenderle fuego a la bolsa de recolección. No la haga funcionar cerca de una llama expuesta. No aspire cenizas tibias de chimeneas, hornos de barbacoa, montones de maleza, etc. No aspire cigarrillos o cigarrillos descartados.

• Nunca haga funcionar la unidad sin que tenga puesto el tubo de succión, la bolsa de succión o el tubo de soplado.

• Nunca intente despejar una aspiradora o tubo soplador atascados mientras el motor esté funcionando.

• Nunca haga funcionar la unidad con una bolsa dañada. Las bolsas están sujetas al deterioro durante el uso. Revise los daños en la bolsa y cámbiela cuando sea necesario. Una bolsa dañada permite el paso directo de objetos, lo cual causa lesiones.

• Compruebe que la bolsa esté completamente cerrada en todo momento, antes de poner en marcha la unidad.

• No fuerce la unidad. Hará mejor el trabajo y con menos probabilidad de lesión bajo la tasa de funcionamiento que fue diseñada.

• No se estire demasiado, tenga cuidado adicional cuando trabaje en pendientes o inclinaciones. Mantenga la pisada firme y un buen equilibrio en todo momento.

• Sostenga siempre la unidad con ambas manos durante la operación. Agarre firmemente ambas manijas o mangos anteriores y posteriores.

• Mantenga las manos, cara y pies lejos de todas las piezas que se muevan. No toque ni intente detener el impulsor cuando esté girando. No la haga funcionar sin los protectores puestos en su lugar.

• No ponga ningún objeto en las aberturas. No la use cuando cualquier abertura esté bloqueada, manténgalas libres de mugre, desechos o cualquier cosa que pueda reducir el flujo de aire.

• No opere la unidad a una velocidad mayor que la necesaria para hacer el trabajo. No opere la unidad a alta velocidad cuando no la esté usando.

• Pare siempre la unidad cuando posponga el trabajo o mientras camine entre diferentes zonas de corte.

• Si golpea algún objeto extraño o se enreda con él, pare el motor inmediatamente y busque daños. Haga arreglar cualquier daño antes de intentar el funcionamiento ulterior.

• Pare la unidad DE INMEDIATO si siente una vibración excesiva. La vibración es señal de que hay problemas. Inspeccione bien si hay tuercas o pernos flojos o daños antes de continuar. Repare o cambie las piezas afectadas según sea necesario.

• Pare y apague la unidad para hacerle mantenimiento, arreglos o para cambiarle aditamentos o accesorios. Debe detener la unidad y el impulsor debe dejar de voltear para que evite lesiones.

• Use sólo piezas y accesorios de repuesto genuinos de fábrica para esta unidad. Puede obtenerlos en su proveedor de servicio autorizado. El uso de piezas o accesorios no autorizados puede causar lesiones graves al usuario o daño a la unidad, y la cancelación de su garantía.

OTRAS ADVERTENCIAS DE SEGURIDAD

• Espere que el motor se enfríe antes de guardar o transportar la unidad. Compruebe que la unidad esté segura al transportarla.

• Guarde la unidad bajo llave en un lugar adecuado y seco para evitar el uso por personas no autorizadas y daños, lejos del alcance de los niños.

• Nunca remoje o chorree la unidad con agua o cualquier otro líquido. Mantenga los mangos secos, limpios y libres de escombros. Limpie la unidad y los rótulos con una esponja húmeda. Límpiela después de cada uso.

• Guarde estas instrucciones. Consúltelas con frecuencia y utilícelas para enseñar a otros usuarios. Si le presta esta unidad a alguien, préstele también estas instrucciones.

• Cualquier reparación o procedimientos de mantenimiento que no estén descritos en este manual deben ser hechos únicamente por personal calificado.

• Compruebe frecuentemente el apriete de los pernos de la cizalla, de montaje del motor y otros pernos para que tenga la seguridad de que el equipo esté en buen estado de funcionamiento.

• Cuando guarde la unidad dentro de un edificio, aléjela de fuentes de encendido. Permita que el motor se enfríe antes de guardarla en cualquier caja protectora.

NORMAS PARA UNA OPERACIÓN SEGURA

- Consulte siempre las instrucciones del Manual del Operario para que se informe sobre detalles importantes, si va a guardar la unidad durante un período de tiempo prolongado.
- No intente arreglar la máquina a menos que tenga las herramientas apropiadas y las instrucciones para desensamblarla y arreglarla.

GUARDE ESTAS INSTRUCCIONES

SÍMBOLOS DE SEGURIDAD E INTERNACIONALES

Este manual del operador describe los símbolos y figuras de seguridad e internacionales que pueden aparecer en este producto. Lea el manual del operador para obtener información completa acerca de la seguridad, ensamble, operación y mantenimiento y reparación.

SÍMBOLO

SIGNIFICADO



• SÍMBOLO DE ALERTA DE SEGURIDAD

Indica peligro, advertencia o precaución. Puede ser utilizado junto con otros símbolos o figuras.



• ADVERTENCIA - LEA EL MANUAL DEL OPERADOR

Lea el manual del operador y siga todas las advertencias e instrucciones de seguridad. De no hacerlo, el operador y/o los espectadores pueden sufrir graves lesiones.



• USE PROTECCIÓN OCULAR Y AUDITIVA

ADVERTENCIA: La operación de cualquier herramienta electromecánica puede ser el origen del lanzamiento de objetos y ruidos elevados que pueden causar lesiones oculares severas y pérdida auditiva. Use siempre gafas de seguridad o protección visual que cumpla con las normas ANSI Z87.1 y protección auditiva, cuando maneje esta unidad. Use una careta completa cuando la necesite.



• MANTENGA ALEJADOS A LOS ESPECTADORES

ADVERTENCIA: Mantenga a todos los espectadores, en especial a los niños y animales domésticos a por lo menos 50 pies (15 m) del área de corte.



• LOS OBJETOS DESPEDIDOS Y LA CUCHILLA ROTATIVA CAUSAN LESIONES GRAVES

ADVERTENCIA: No opere esta unidad si la protección plástica de la línea no está puesta en su lugar. Manténgase lejos del accesorio de corte giratorio.



• LAS SOPLADORAS Y SOPLADORAS/ASPIRADORAS – CUCHILLAS GIRATORIAS DEL ROTOR PUEDEN CAUSAR LESIONES GRAVES

ADVERTENCIA: Pare el motor y permita que el rotor se detenga antes de instalarle o cambiarle tubos o la bolsa, o antes de limpiar o hacerle cualquier mantenimiento.

NORMAS PARA UNA OPERACIÓN SEGURA

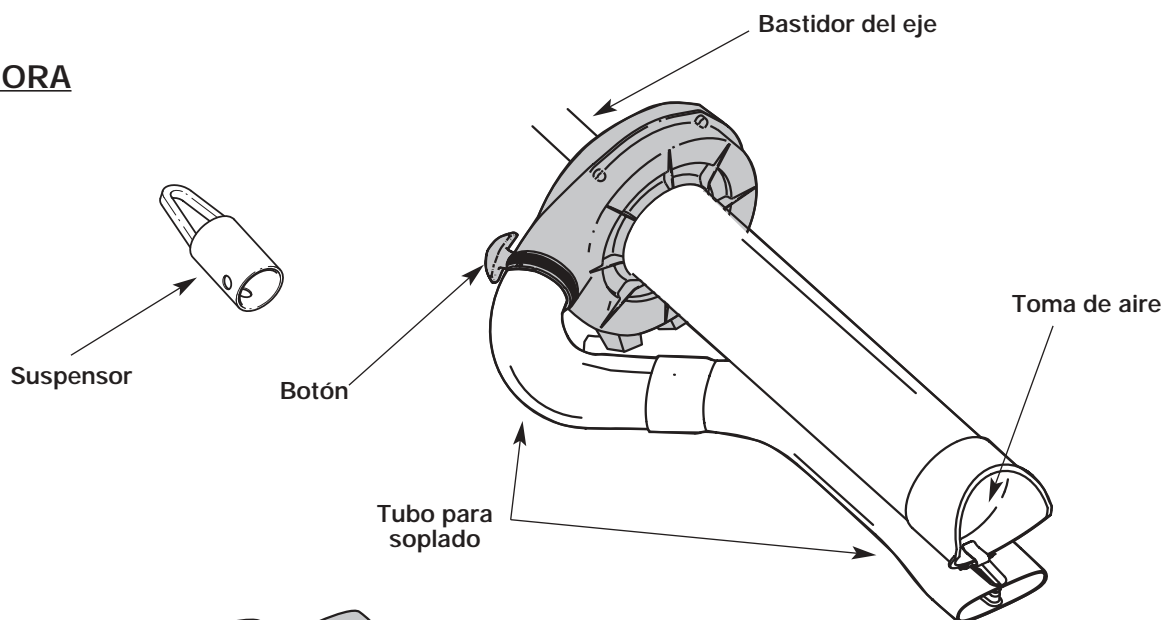
CONOZCA SU UNIDAD

APLICACIONES

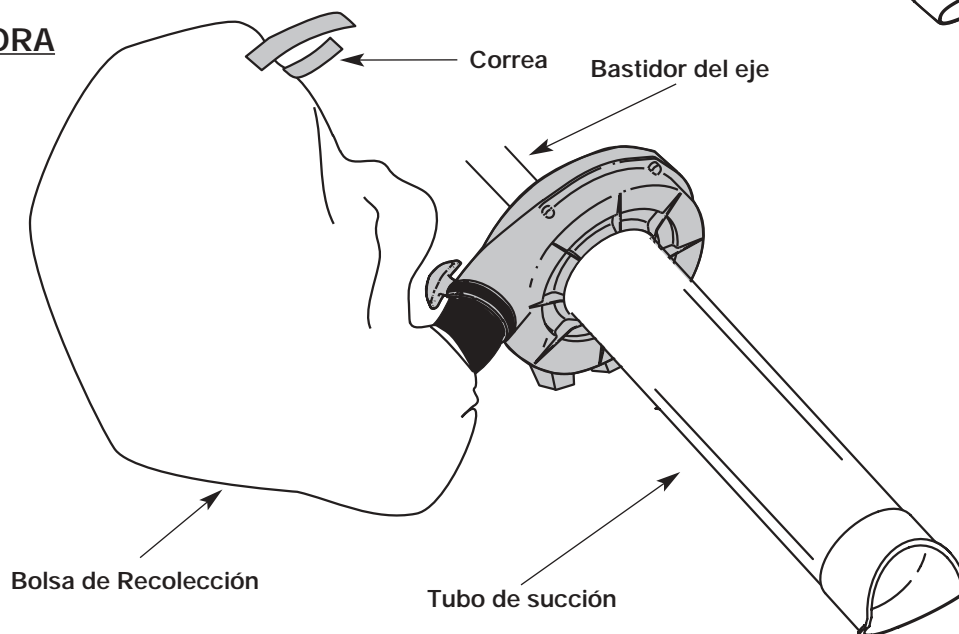
Con Aditamento para Sopladora/Aspiradora:

- Fácil conversión de sopladora a aspiradora.
- Tubo de amplio diámetro para recolección fácil de desechos.
- Convierte los desechos en capote.

SOPLADORA



ASPIRADORA



INSTRUCCIONES DE ENSAMBLE

NOTA: La unidad está completamente ensamblada como soplador en la caja. Siga las siguientes instrucciones para convertirla de sopladora a aspiradora.



ADVERTENCIA: Para que evite lesiones personales graves y daños a la unidad, apáguela antes de quitarle o instalarle aditamentos.

CONVERSIÓN A ASPIRADORA

1. Afloje el botón de sujeción de la cubierta del soplador hacia la izquierda.
2. Quite el tubo de soplado.
3. Instale el codo de la bolsa y apriete el botón. (Fig. 1)

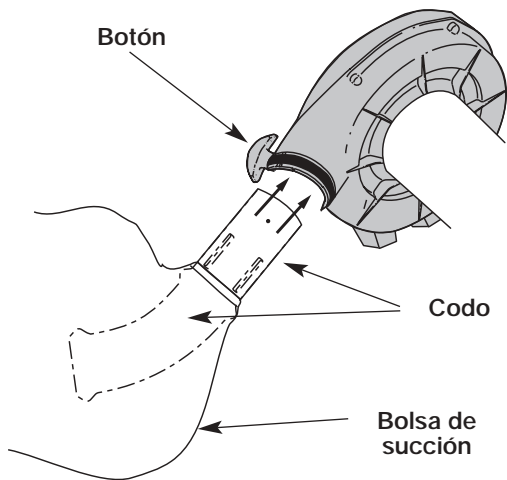


Fig. 1

4. Fije la correa al asta, por encima del mango auxiliar ubicado en el cabezal motorizado. (Fig. 2)

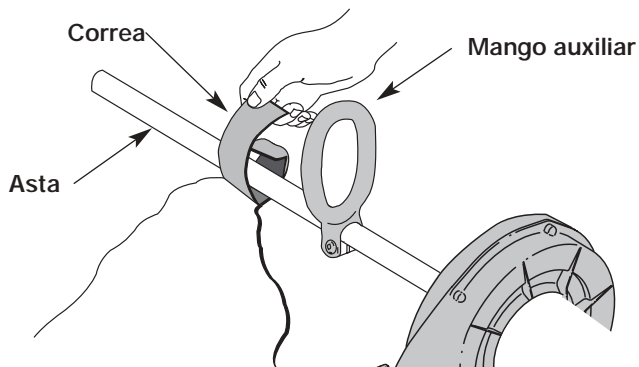


Fig. 2

CONVERSIÓN A SOPLADOR

1. Quite la bolsa de succión.
2. Fije el tubo de soplado en la punta del tubo de succión. (Fig. 3)

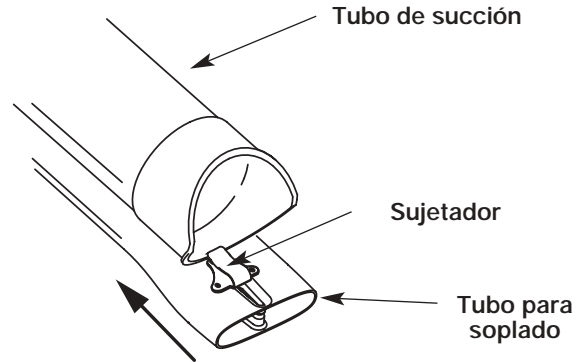


Fig. 3

3. Instale el tubo de soplado y apriete el botón. (Fig. 4)

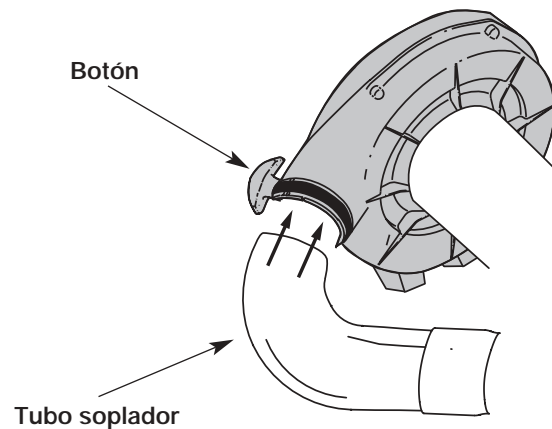


Fig. 4

INSTRUCCIONES DE OPERACIÓN

ENSAMBLAJE DEL ACOPLADOR

Los siguientes accesorios Troy-Bilt también están disponibles para su unidad:

Cultivador	TBGC
Recortador de setos	TBHS
Recortador de bordes	TBLE
Recortador de eje recto	TBSS
Soplador de nieve	TBST
Turbosoplador	TBTB
Podador de árboles	TBTP



ADVERTENCIA: Lea y comprenda el manual del operador de los accesorios antes de su operación.

Remoción del accesorio

1. Para aflojarlo, gire el botón en el sentido opuesto al de las manecillas del reloj (Fig. 5).
2. Oprima y sostenga oprimido el botón de liberación (Fig. 5).
3. Mientras sostiene con firmeza el bastidor del eje superior, tire del accesorio de soplador/aspiradora hacia afuera del acoplador (Fig. 2).

Instalación del accesorio



ADVERTENCIA: Para evitar graves lesiones personales, apague la unidad antes de sacar o instalar accesorios.

NOTA: Para facilitar la instalación o remoción de los accesorios, ponga la unidad sobre el suelo o sobre un banco de trabajo.

1. Quite el colgador de encima de la cubierta del eje.
2. Apriete el botón girándolo hacia la derecha (Fig. 5).
3. Mientras sostiene el accesorio con firmeza, empujelo en línea recta en el acoplador (Fig. 6).

NOTE: La alineación del botón de desconexión con la guía ayuda en la instalación (Fig. 5).

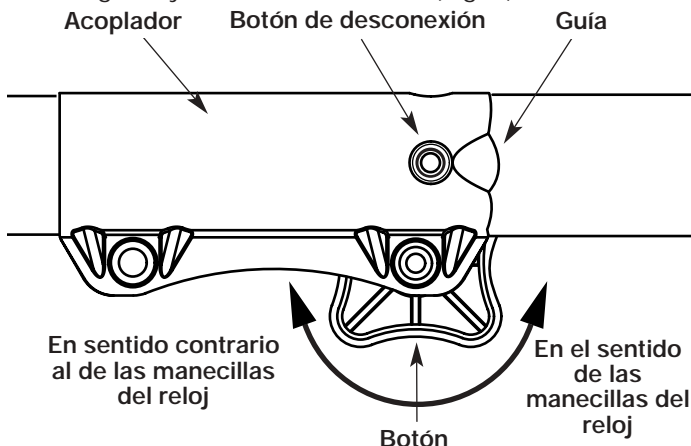


Fig. 5

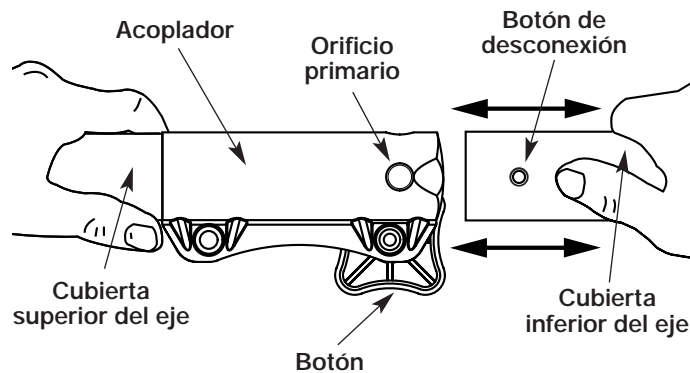


Fig. 6

4. Apriete el botón girándolo hacia la derecha (Fig. 7).



PRECAUCIÓN: Trabe el botón de desconexión en el orificio primario (Fig. 6) y ajuste bien la perilla antes de operar esta unidad.

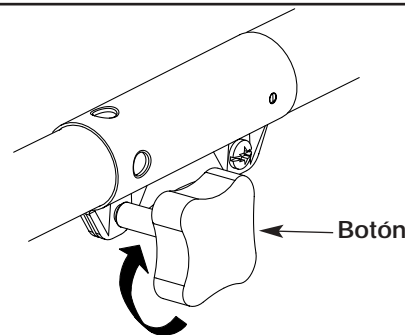


Fig. 7



PRECAUCIÓN: Los aditamentos junto con el sistema de acople son para usarlos únicamente en el orificio primario. El uso del orificio equivocado puede causarles lesiones personales a usted o daños a la unidad.

El aditamento para soplador/aspiradora se debe instalar con el botón de liberación puesto en el orificio primario.

Inspeccione el acoplamiento del eje acodado antes de usar la unidad

1. Arranque la unidad.
2. Enganche y suelte el gatillo brevemente.
3. Compruebe que el accesorio esté funcionando.
4. Si el accesorio no está funcionando, retire el accesorio y repita los pasos para su instalación.
5. Vuelva a comprobar el funcionamiento del accesorio.

INSTRUCCIONES DE OPERACIÓN

CONSEJOS ÚTILES PARA EL FUNCIONAMIENTO

NOTA: Mueva la unidad lentamente de un lado a otro sobre los desechos que va a aspirar o soplar.

NOTA: aspire los desechos amontonados empezando desde afuera del montón. No fuerce el tubo de succión dentro de los desechos ya que puede obstruir la unidad.

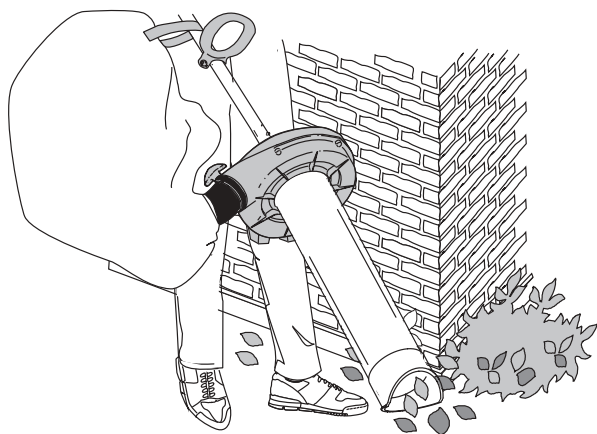


Fig. 8

FUNCIONAMIENTO DE LA ASPIRADORA

1. La aspiradora se puede usar para limpiar alrededor de piedras, debajo de arbustos y árboles, a lo largo de paredes o para aspirar montones de desechos creados por el soplador. (Fig. 8)
2. Desconecte la unidad de la corriente antes de quitarle la bolsa. Cuando la quite, agítela vigorosamente para vaciar el contenido completamente. (Fig. 9)



Fig. 9

FUNCIONAMIENTO DEL SOPLADOR

1. Puede soplar desechos alrededor de edificios, árboles, arbustos y macizos de flores o formar un montón para aspirarlo. (Fig. 10)



Fig. 10

CONSEJOS DE USO

- Antes de usar el aparato, verifique que el saco colector de residuos esté bien cerrado.
- Verifique que el aparato no esté dirigido hacia ninguna persona o hacia restos esparcidos, antes de poner en marcha el motor.
- Verifique que el aparato esté en buenas condiciones de funcionamiento y que los tubos y deflectores estén bien instalados.
- Al trabajar, sostenga el aparato con ambas manos, sujetando firmemente las asas o empuñaduras delantera y trasera.
- Para reducir el riesgo de disminución auditiva resultante del nivel sonoro, es necesario adoptar un elemento que lo proteja del ruido.
- Preste atención a los niños, animales, ventanas abiertas y coches limpios, y sople los restos hacia otra dirección.
- Después de usar un soplador u otro aparato, ¡NO DEJE DE LIMPIARLO! Arroje los restos en un cubo de basura.

INSTRUCCIONES DE MANTENIMIENTO Y REPARACIÓN

ALMACENAMIENTO

- Examine la unidad antes de guardarla para que compruebe que el equipo se encuentre en buen estado de funcionamiento.
- Pare el motor.
- Guarde la unidad bajo techo en un lugar seco y asegurado, lejos del alcance de los niños.
- Mantenga o cambie las etiquetas de seguridad e instrucciones, como sea necesario.

Para unidades a gasolina:

- Permita que la unidad se enfríe antes de guardarla en cualquier lugar encerrado.
- Vacíe el combustible de la unidad. Nunca guarde la unidad con combustible dentro del tanque en un edificio en donde haya presentes fuentes de ignición tales como calentadores portátiles, secadoras de ropa, etc.

TRANSPORTE

- Espere que el motor se enfríe antes de su transporte.
- Asegure la unidad durante su transporte.

Para unidades de gasolina:

- Drene el combustible de la unidad.
- Ajuste la tapa del combustible antes del transporte.

ACCESORIOS / PIEZAS DE REPUESTO

Conjunto de Bolsa de Recolección	791-180108
Conjunto de Tubo de succión	753-1215
Conjunto de Tubo para soplado	791-181641

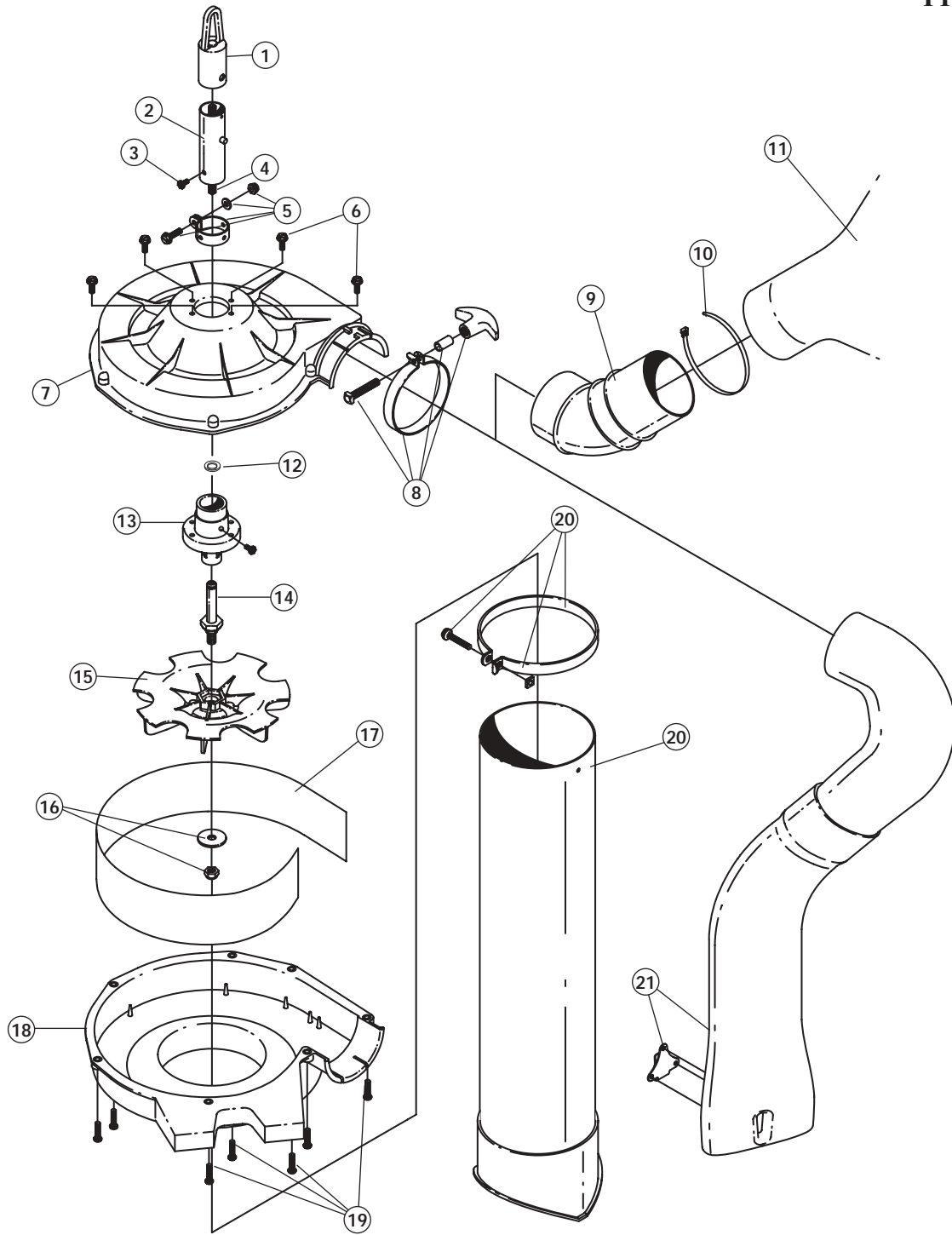
Use sólo piezas y accesorios de repuesto genuinos de fábrica para esta unidad.

ESPECIFICACIONES

ACCESORIO SOPLADORA/ASPIRADORA

Peso del accesorio:	4.6 lbs. (10.1 kg)
Capacidad de la bolsa	0.728 m ³ (2 Bushels)
Velocidad del aire	Hasta 120 MPH (53.64 met/seg)
Cubierta del eje de transmisión	Tubo de acero

REPLACEMENT PARTS - MODEL TBBV
BLOWER VACUUM ADD-ON
PPN 41AJBV-C063



Item	Part No.	Description
1	791-612605	Hanger
2	753-04267	Boom Assembly
3	791-145569	Anti-Rotation Screw
4	753-04268	Drive Shaft Assembly
5	791-153597	Lower Clamp Assembly (includes 3)
6	791-181853	Mounting Screw
7	791-180874	Upper Housing
8	791-683884	Clamp Assembly
9	791-612929	Adapter
10	791-612930	Clamp
11	753-04269	Vacuum Bag Assembly (includes items 9 and 10)

Item	Part No.	Description
12	791-181560	Palnut
13	791-181636	Bushing Housing Assembly
14	791-612931	Impeller Shaft
15	791-180197	Impeller
16	791-683887	Nut and Washer Assembly
17	791-181586	Shield
18	791-180875	Lower Housing
19	791-181345	Mounting Screw
20	753-1215	Vacuum Tube Assembly
21	791-181641	Blower Tube Assembly

GARANTÍA LIMITADA DEL FABRICANTE PARA:



Troy-Bilt LLC concede la garantía limitada establecida debajo para mercancías nuevas que sean compradas y usadas en los Estados Unidos, sus posesiones y territorios.

Troy-Bilt LLC garantiza este producto contra defectos en el material y la mano de obra durante un período de dos (2) años, a partir de la fecha de compra original y a su entera discreción, arreglará o substituirá sin costo alguno cualquier pieza cuyo material o mano de obra se considere defectuoso. Esta garantía limitada se deberá aplicar únicamente si este producto ha sido manejado y mantenido de acuerdo al Manual del Operario incluido con el producto y, si no ha sido sometido a mal uso, abuso, uso comercial, negligencia, accidente, mantenimiento inapropiado, alteración, vandalismo, hurto, fuego, agua o daños debidos a otros riesgos o desastre natural. Los daños ocasionados por la instalación o el uso de cualquier accesorio o aditamento que no esté aprobado por Troy-Bilt y que sea usado con el (los) producto(s) contemplados en este manual, anularán la garantía con respecto a cualquier daño resultante. Esta garantía está limitada a noventa (90) días a partir de la fecha de compra original al detalle de cualquier producto Troy-Bilt que se use para alquiler, para propósitos comerciales o cualquier otro propósito que genere ingresos.

CÓMO OBTENER SERVICIO: El servicio de garantía está disponible A TRAVÉS DE SU DISTRIBUIDOR DE SERVICIO LOCAL AUTORIZADO, AL PRESENTAR EL COMPROBANTE DE COMPRA. Para localizar al distribuidor en su área, visite nuestro sitio en Internet en www.troybilt.com, busque el aviso clasificado en las Páginas Amarillas, llame al 1 (866) 840-6483, 1 (330) 558-7220 o escriba a P.O. Box 361131, Cleveland, OH 44136-0019.

Esta garantía limitada no ofrece cobertura en los siguientes casos:

- A. Sincronizaciones - bujías, ajustes de carburadores, filtros.
- B. Artículos de desgaste, perillas percusivas, carretes externos, línea de corte, carretes internos, polea de arranque, cuerdas de arranque, correas motoras.
- C. Troy-Bilt no le ofrece ninguna garantía a los productos que sean vendidos o exportados fuera de los Estados Unidos de América, sus posesiones y territorios, excepto aquellos que se vendan a través de los canales de distribución para exportación autorizados por Troy-Bilt.

Troy-Bilt se reserva el derecho a cambiar o mejorar el diseño de cualquier producto Troy-Bilt, sin adoptar ninguna obligación para modificar cualquier producto fabricado con anterioridad.

Ninguna garantía implícita es aplicable después del período de aplicabilidad de la garantía expresa escrita con anterioridad, incluyendo cualquier garantía implícita de comerciabilidad o idoneidad para un propósito particular con respecto a las piezas identificadas. Exceptuando lo mencionado anteriormente, ninguna otra garantía expresa bien sea escrita o verbal con respecto a cualquier producto que sea concedida por cualquier persona o entidad, incluyendo al distribuidor o minorista, deberá comprometer a Troy-Bilt LLC durante el período de la Garantía, el remedio exclusivo es el arreglo o la sustitución del producto según lo establecido anteriormente. (Algunos estados no permiten limitaciones en cuanto al período de duración de una garantía implícita, de manera que puede que la limitación anterior no sea aplicable en su caso.)

Las estipulaciones establecidas en esta Garantía ofrecen la solución única y exclusiva que resulte de las ventas. Troy-Bilt no deberá ser responsable de pérdidas o daños incidentales o consecuentes que incluyan, sin limitación, gastos incurridos debido a la sustitución de servicios de mantenimiento de prados, transporte o gastos relacionados, o gastos de alquiler para reemplazar temporalmente un producto bajo garantía. (Algunos estados no permiten limitaciones en cuanto al período de duración de una garantía implícita, de manera que puede que la limitación anterior no sea aplicable en su caso.)

Ningún tipo de recuperación deberá ser superior al precio de compra del producto vendido, en ningún caso. La alteración de las características de seguridad del producto deberá anular esta Garantía. Usted adopta el riesgo y la obligación de la pérdida, daño o lesión en su persona o a su propiedad y/o la de otras personas y sus propiedades, que se origine a raíz del uso o mal uso, o la incompetencia para usar el producto.

Esta garantía limitada no deberá cubrir a ninguna otra persona distinta al comprador original, arrendatario original, o la persona para la cual se compró en calidad de regalo.

Relación de las leyes estatales con esta Garantía: Esta garantía le confiere derechos legales específicos, y puede que usted también tenga otros derechos, los cuales varían en cada estado.

Para localizar al distribuidor de servicio local más cercano, marque el número 1 (877) 282-8684.

Troy-Bilt LLC

P.O. Box 361131

Cleveland, OH 44136-0019

Free Manuals Download Website

<http://myh66.com>

<http://usermanuals.us>

<http://www.somanuals.com>

<http://www.4manuals.cc>

<http://www.manual-lib.com>

<http://www.404manual.com>

<http://www.luxmanual.com>

<http://aubethermostatmanual.com>

Golf course search by state

<http://golfingnear.com>

Email search by domain

<http://emailbydomain.com>

Auto manuals search

<http://auto.somanuals.com>

TV manuals search

<http://tv.somanuals.com>