

**SPECIFY MODEL NO. WHEN ORDERING PARTS**

**16" Gas Chain Saw**

**MODEL NO.**

**TB3516NT / 41AZ356P766**

**DATE**

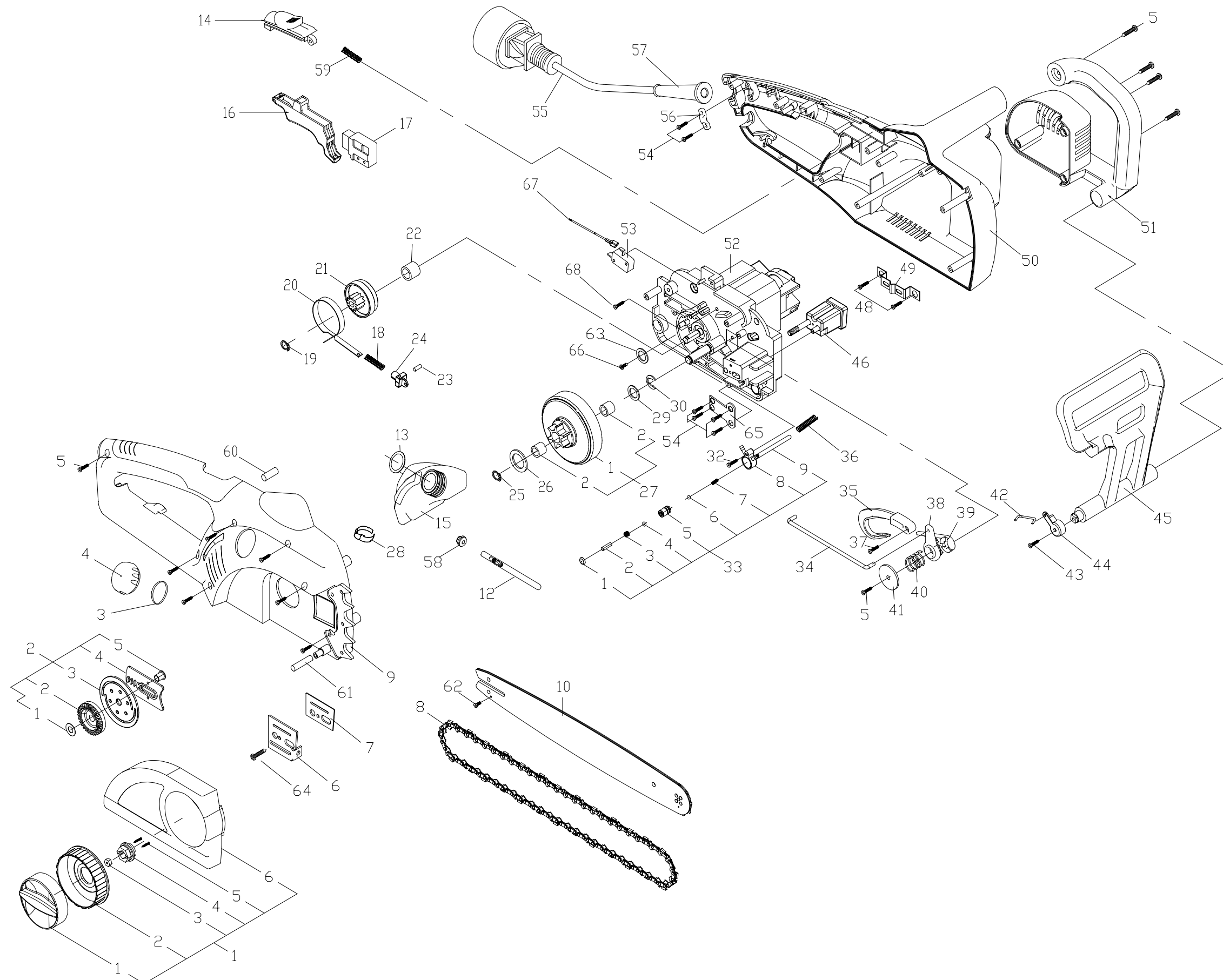
**7/29/2004**

**REVISED DATE**

**N/A**

**PAGE**

**1/2**





## SERVICE SPARE PARTS LIST

SPECIFY MODEL NO. WHEN ORDERING PARTS		DATE	REVISED DATE  N/A
16" Electric Chain Saw		7/29/2004	
MODEL NO.	<b>TB3516NT / 41AZ356P766</b>		

No.	STK CODE	Parts No.	Description	Q	No.	STK CODE	Parts No.	Description	Q
1		MC-6228-211403	HOUSING (R)	1	36		MC-6024-211507	SPRING	1
2		<b>MC-6228-211504</b>	<b>CHAIN COVER ASS'Y</b>	<b>1</b>	<b>37</b>		<b>MC-6QABB04-20</b>	<b>SCREW</b>	<b>1</b>
3		MC-6012-210501	WASHER	1	38		MC-6181-211501	CLUTH	1
4		<b>MC-6017-210103</b>	<b>OIL COVER</b>	<b>1</b>	<b>39</b>		<b>MC-6181-211502</b>	<b>CLUTH</b>	<b>1</b>
5		MC-6SDABB04-18	SCREW	13	40		MC-6024-211503	SPRING	1
6		<b>MC-6043-211302</b>	<b>ADJUSTMENT PLATE</b>	<b>1</b>	<b>41</b>		<b>MC-6014-211501</b>	<b>WASHER</b>	<b>1</b>
7		MC-6050-211301	OIL WASHER	1	42		MC-6154-211301	CONNECTING BAR	1
8		<b>MC-6220-210201</b>	<b>CHAIN</b>	<b>1</b>	<b>43</b>		<b>MC-6SDABB4.5-30</b>	<b>SCREW</b>	<b>1</b>
9		MC-6038-211505	HOUSING (R)	1	44		MC-6154-211504	CONNECTOR	1
10		<b>MC-9040-310175</b>	<b>BAR</b>	<b>1</b>	<b>45</b>		<b>MC-6017-211503</b>	<b>FRONT-HAND GUARD</b>	<b>1</b>
12		MC-6228-211506	OIL PIPE ASS'Y	1	46		MC-6228-211303	FIXED ACC'Y	1
13		<b>MC-6076-210503</b>	<b>WASHER</b>	<b>1</b>	<b>48</b>		<b>MC-6SDABB04-16</b>	<b>SCREW</b>	<b>2</b>
14		MC-6056-211502	SWITCH BUTTON	1	49		MC-6079-211503	SPRING	1
15		<b>MC-6066-211501</b>	<b>OIL TENK</b>	<b>1</b>	<b>50</b>		<b>MC-6038-211506</b>	<b>HOUSING (L)</b>	<b>1</b>
16		MC-6028-211502	TRIGGER	1	51		MC-6086-211501	REAL COVER	1
17		<b>MC-6022-211502</b>	<b>SWITCH</b>	<b>1</b>	<b>52</b>		<b>MC-6228-211301</b>	<b>MOTOR GEAR BOX ASS'Y</b>	<b>1</b>
18		MC-6024-211301	SPRING	1	53		MC-6022-211501	SWITCH	1
19		<b>MC-6CY-08</b>	<b>RING</b>	<b>1</b>	<b>54</b>		<b>MC-6SDABB04-10</b>	<b>SCREW</b>	<b>7</b>
20		MC-6079-211501	SPRING, BRAKE	1	55		MC-6011-211502	POWER CORD	1
21		<b>MC-6073-211501</b>	<b>GEAR</b>	<b>1</b>	<b>56</b>		<b>MC-6043-840001</b>	<b>STRAIN RELIEF</b>	<b>1</b>
22		MC-6059-210201	ADJUSTMENT COVER	1	57		MC-6059-855001	CORD GUARD	1
23		<b>MC-6115-211502</b>	<b>PIN</b>	<b>1</b>	<b>58</b>		<b>MC-6012-211501</b>	<b>RUBBER STOP</b>	<b>1</b>
24		MC-6154-211502	CONNECTION	1	59		MC-6024-211506	SPRING	1
25		<b>MC-6CG-9.5</b>	<b>C RING</b>	<b>1</b>	<b>60</b>		<b>MC-6PC05-14.7</b>	<b>PIN</b>	<b>1</b>
26		MC-6014-210502	WASHER	1	61		MC-6PC4.4-35	PIN	1
27		<b>MC-6228-210104</b>	<b>GEAR BEARING ASS'Y</b>	<b>1</b>	<b>62</b>		<b>MC-6SQAB-04-06</b>	<b>SCREW</b>	<b>1</b>
28		MC-6077-211501	COVER	1	63		MC-6WFB-03-12	WASHER	1
29		<b>MC-6057-210102</b>	<b>WASHER</b>	<b>1</b>	<b>64</b>		<b>MC-6SDABB03-15</b>	<b>SCREW</b>	<b>1</b>
30		MC-6CC-10	C RING	1	65		MC-6158-211502	PLATE	1
32		<b>MC-6SDABB03-18</b>	<b>SCREW</b>	<b>1</b>	<b>66</b>		<b>MC-6SLABB03-06</b>	<b>SCREW</b>	<b>2</b>
33		MC-6228-210105	OIL PUMP ASS'Y	1	67		MC-6010-211301	WIRE	1
34		<b>MC-6188-211501</b>	<b>PULL BAR</b>	<b>1</b>	<b>68</b>		<b>MC-6SDABB04-14</b>	<b>SCREW</b>	<b>3</b>
35		MC-6114-211501	PULL PLATE	1					

Stocking Codes are:

A - Dealer stocked

B - Distributor stocked

C - Factory stocked

## Free Manuals Download Website

<http://myh66.com>

<http://usermanuals.us>

<http://www.somanuals.com>

<http://www.4manuals.cc>

<http://www.manual-lib.com>

<http://www.404manual.com>

<http://www.luxmanual.com>

<http://aubethermostatmanual.com>

Golf course search by state

<http://golfingnear.com>

Email search by domain

<http://emailbydomain.com>

Auto manuals search

<http://auto.somanuals.com>

TV manuals search

<http://tv.somanuals.com>