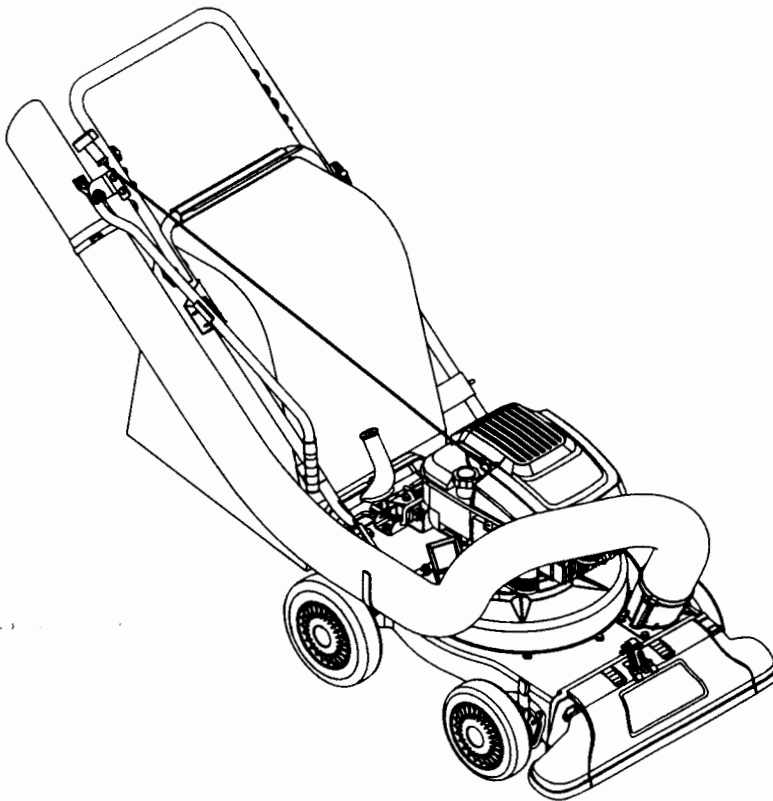


VAC. CHIPPER 24C 063



Operator's Manual



**Yard Vacuum
Chipper/Shredder/
Vacuum/Hose**
Model Numbers
24B-060F063
24C-060F063

IMPORTANT: READ SAFETY RULES AND INSTRUCTIONS CAREFULLY

Warning: This unit is equipped with an internal combustion engine and should not be used on or near any unimproved forest-covered, brush-covered or grass-covered land unless the engine's exhaust system is equipped with a spark arrester meeting applicable local or state laws (if any). If a spark arrester is used, it should be maintained in effective working order by the operator. In the State of California the above is required by law (Section 4442 of the California Public Resources Code). Other states may have similar laws. Federal laws apply on federal lands. A spark arrester for the muffler is available through your nearest engine authorized service dealer or contact the service department, P.O. Box 361131 Cleveland, Ohio 44136-0019.

TROY-BILT LLC P.O. BOX 361131 CLEVELAND, OHIO 44136-0019

PRINTED IN U.S.A.

FORM NO. 769-00835
(7/03)

TABLE OF CONTENTS

Content	Page
Important Safe Operation Practices.....	3
Assembling Your Yard Vacuum.....	5
Know Your Yard Vacuum.....	7
Operating Your Yard Vacuum.....	8
Maintaining Your Yard Vacuum.....	10
Troubleshooting.....	13
Parts List.....	14


FINDING MODEL NUMBER

This Operator's Manual is an important part of your new Yard Vacuum. It will help you assemble, prepare and maintain the unit for best performance. Please read and understand what it says.



Before you start assembling your new equipment, please locate the model plate on the equipment and copy the information from it in the space provided below. The information on the model plate is very important if you need help from our Customer Support Department or an authorized dealer.

- You can locate the model number by looking down at the rear of the Yard Vacuum. A sample model plate is explained below. For future reference, please copy the model number and the serial number of the equipment in the space below.

_____	_____
(Model Number)	(Serial Number)
 TROY-BILT LLC P. O. BOX 361131 CLEVELAND, OH 44136 330-558-7220 866-840-6483	

Copy the model number here: _____

Copy the serial number here: _____

ENGINE INFORMATION

The engine manufacturer is responsible for all engine-related issues with regards to performance, power-rating, specifications, warranty and service. Please refer to the engine manufacturer's Owner's/Operator's Manual packed separately with your unit for more information.

CALLING CUSTOMER SUPPORT

If you have difficulty assembling this product or have any questions regarding the controls, operation or maintenance of this unit, please call the Customer Support Department.



Call 1- (330) 558-7220 or 1- (866)-840-6483 to reach a Customer Support representative. Please have your unit's model number and serial number ready when you call. See previous section to locate this information. You will be asked to enter the serial number in order to process your call.

For more details about your unit, visit our website at www.troybilt.com

SECTION 1: IMPORTANT SAFE OPERATION PRACTICES



WARNING: This symbol points out important safety instructions which, if not followed, could endanger the personal safety and/or property of yourself and others. Read and follow all instructions in this manual before attempting to operate this machine. Failure to comply with these instructions may result in personal injury. When you see this symbol - **heed its warning.**



WARNING: Engine Exhaust, some of its constituents, and certain vehicle components contain or emit chemicals known to State of California to cause cancer and birth defects or other reproductive harm.

DANGER: This machine was built to be operated according to the rules for safe operation in this manual. As with any type of power equipment, carelessness or error on the part of the operator can result in serious injury. This machine is capable of amputating hands and feet and throwing objects. Failure to observe the following safety instructions could result in serious injury or death.

TRAINING

1. Read, understand, and follow all instructions on the machine and in the manual(s) before attempting to assemble and operate. Keep this manual in a safe place for future and regular reference and for ordering replacement parts.
2. Be familiar with all controls and their proper operation. Know how to stop the machine and disengage them quickly.
3. Never allow children under 16 years old to operate this machine. Children 16 years old and over should read and understand the operation instructions and safety rules in this manual and should be trained and supervised by a parent.
4. Never allow adults to operate this machine without proper instruction.
5. Keep bystanders, helpers, pets, and children at least 75 feet from the machine while it is in operation. Stop machine if anyone enters the area.
6. Never run an engine indoors or in a poorly ventilated area. Engine exhaust contains carbon monoxide, an odorless and deadly gas.
7. Do not put hands and feet near rotating parts or in the feeding chambers and discharge opening. Contact with the rotating impeller can amputate fingers, hands, and feet.
8. Never attempt to unclog either the feed intake or discharge opening, remove or empty vacuum bag, or inspect and repair the machine while the engine is running. Shut the engine off and wait until all moving parts have come to a complete stop. Disconnect the spark plug wire and ground it against the engine.
2. Always wear safety glasses or safety goggles during operation or while performing an adjustment or repair, to protect eyes. Thrown objects which ricochet can cause serious injury to the eyes.
3. Wear sturdy, rough-soled work shoes and close-fitting slacks and shirts. Loose fitting clothes or jewelry can be caught in movable parts. Never operate this machine in bare feet or sandals. Wear leather work gloves when feeding material in the chipper chute.
4. Before starting, check all bolts and screws for proper tightness to be sure the machine is in safe working condition. Also, visually inspect machine for any damage at frequent intervals.
5. Maintain or replace safety and instructions labels, as necessary.
6. To avoid personal injury or property damage use extreme care in handling gasoline. Gasoline is extremely flammable and the vapors are explosive. Serious personal injury can occur when gasoline is spilled on yourself or your clothes which can ignite. Wash your skin and change clothes immediately.
 - a. Use only an approved gasoline container.
 - b. Extinguish all cigarettes, cigars, pipes, and other sources of ignition.
 - c. Never fuel machine indoors.
 - d. Never remove gas cap or add fuel while the engine is hot or running.
 - e. Allow engine to cool at least two minutes before refueling.
 - f. Never over fill fuel tank. Fill tank to no more than 1/2 inch below bottom of filler neck to provide space for fuel expansion.
 - g. Replace gasoline cap and tighten securely.
 - h. If gasoline is spilled, wipe it off the engine and equipment. Move machine to another area. Wait 5 minutes before starting the engine.

PREPARATION

1. Thoroughly inspect the area where the equipment is to be used. Remove all rocks, bottles, cans, or other foreign objects which could be picked up or thrown and cause personal injury or damage to the machine.

- i. Never store the machine or fuel container inside where there is an open flame, spark, or pilot light (e.g. furnace, water heater, space heater, clothes dryer, etc.)
- j. To reduce a fire hazard, keep machine free of grass, leaves, or other debris build-up. Clean up oil or fuel spillage and remove any fuel soaked debris.
- k. Allow machine to cool at least 5 minutes before storing.

OPERATION

1. Do not put hands and feet near rotating parts or in the feeding chambers and discharge opening. Contact with the rotating impeller can amputate fingers, hands, and feet.
2. Before starting the machine, make sure the chipper chute, feed intake, and cutting chamber are empty and free of all debris.
3. Thoroughly inspect all material to be shredded and remove any metal, rocks, bottles, cans, or other foreign objects which could cause personal injury or damage to the machine.
4. If the impeller strikes a foreign object or if your machine should start making an unusual noise or vibration, immediately shut the engine off. Allow the impeller to come to a complete stop. Disconnect the spark plug wire, ground it against the engine and perform the following steps:
 - a. Inspect for damage.
 - b. Repair or replace any damaged parts.
 - c. Check for any loose parts and tighten to assure continued safe operation.
5. Do not allow an accumulation of processed material to build up in the discharge area. This can prevent proper discharge and result in kickback of material through the feed opening.
6. Do not attempt to shred or chip material larger than specified on the machine or in this manual. Personal injury or machine damage could result.
7. Never attempt to unclog either the feed intake or discharge opening while the engine is running. Shut the engine off, wait until all moving parts have stopped, disconnect the spark plug wire and ground it against the engine before clearing debris.
8. Never operate without vacuum bag and discharge chute properly attached to the machine. Never empty or change vacuum bag while the engine is running. Zippered end of vacuum bag must be kept closed at all times during operation.

9. Never operate without either the inlet nozzle or optional hose attachment properly attached to the machine. Never attempt to attach or change either attachment while the engine is running.
10. Keep all guards, deflectors and safety devices in place and operating properly.
11. Keep your face and body back and to the side of the chipper chute while feeding material into the machine to avoid accidental kickback injuries.
12. Never operate this machine without good visibility or light. Always be sure of your footing and keep a firm hold on the handles.
13. Do not operate this machine on a gravel surface.
14. Do not operate this machine while under the influence of alcohol or drugs.
15. Muffler and engine become hot and can cause a burn. Do not touch.
16. Never pick up or carry machine while the engine is running.

MAINTENANCE AND STORAGE

1. Never tamper with safety devices. Check their proper operation regularly.
2. Check bolts and screws for proper tightness at frequent intervals to keep the machine in safe working condition. Also, visually inspect machine for any damage and repair, if needed.
3. Before cleaning, repairing, or inspecting, stop the engine and make certain the impeller and all moving parts have stopped. Disconnect the spark plug wire and ground it against the engine to prevent unintended starting.
4. Do not change the engine governor settings or overspeed the engine. The governor controls the maximum safe operating speed of the engine.
5. Maintain or replace safety and instruction labels, as necessary.
6. Follow this manual for safe loading, unloading, transporting, and storage of this machine.
7. Never store the machine or fuel container inside where there is an open flame, spark or pilot light such as a water heater, furnace, clothes dryer, etc.
8. Always refer to the operator's manual for proper instructions on off-season storage.
9. If the fuel tank has to be drained, do this outdoors.
10. Observe proper disposal laws and regulations for gas, oil, etc. to protect the environment.



WARNING - YOUR RESPONSIBILITY: Restrict the use of this power machine to persons who read, understand and follow the warnings and instructions in this manual and on the machine.






NOTE: Not all safety labels may apply to your Yard Vacuum.

⚠ DANGER

TO AVOID SERIOUS INJURY

- READ OPERATOR'S MANUAL.
- KEEP HANDS OUT OF INLET AND DISCHARGE OPENINGS WHILE MACHINE IS RUNNING. ROTATING BLADES ARE INSIDE.
- TURN ENGINE OFF AND ALLOW IMPELLER TO COME TO COMPLETE STOP BEFORE REMOVING BAG.
- DO NOT ATTEMPT TO CLEAR A CLOG OR JAM WITH THE ENGINE RUNNING.
- DO NOT OPERATE UNIT WITHOUT BAG OR OPTIONAL BLOWER CHUTE IN PLACE.
- DO NOT STAND OR WALK IN FRONT OF BLOWER CHUTE OR AIM IT AT BYSTANDERS. OBJECTS THROWN OUT OF DISCHARGE CAN CAUSE PERSONAL INJURY.
- DO NOT OPERATE WHEN CHILDREN OR OTHERS ARE AROUND.
- WEAR APPROVED SAFETY GLASSES.

S30599

⚠ DANGER

KEEP HANDS OUT OF INLETS WHILE ENGINE IS RUNNING. ROTATING BLADES ARE INSIDE.

STOP

SECTION 2: ASSEMBLING YOUR YARD VACUUM

IMPORTANT: This unit is shipped without gasoline or oil in the engine. Be certain to service engine with gasoline and oil as instructed in the separate engine manual before operating your machine.

NOTE: Reference to right or left hand side of the Yard Vacuum is observed from the operating position.

Removing Unit From Carton

- Remove staples, break glue on top flaps, or cut tape at carton end and peel along top flap to open carton.
- Remove loose parts if included with unit (i.e., operator's manual, etc.)
- Cut along corners, lay carton down flat, and remove packing material.
- Roll or slide unit out of carton and check carton thoroughly for loose parts.

Loose Parts In Carton (See Figure 1)

- Handle Assembly
- Bag
- Blower Chute (If Equipped)
- Hose Assembly

Disconnecting Spark Plug Wire

Before setting up your Yard Vacuum, disconnect the spark plug wire from the spark plug and ground to a stud on the engine.

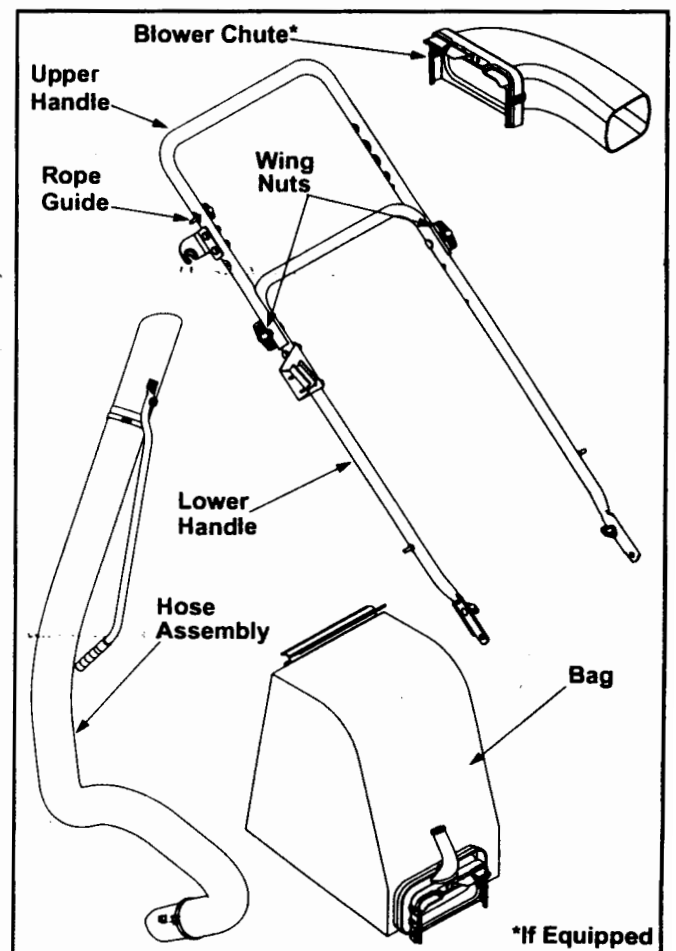


Figure 1

Attaching The Handle

- Unfold the upper handle until it aligns with the lower handle.
- Secure the two handles by tightening the wing nuts (carriage bolts must be seated properly into the handle). See Figure 1.
- Remove the hairpin clips from the handle brackets on the Yard Vacuum and remove the carriage bolts and wing nuts from the lower handle. See Figure 2.
- Place the bottom holes in lower handle over pins on handle brackets and secure with hairpin clips.
- Insert carriage bolts through upper hole in lower handle from the outside and secure with wing nuts.

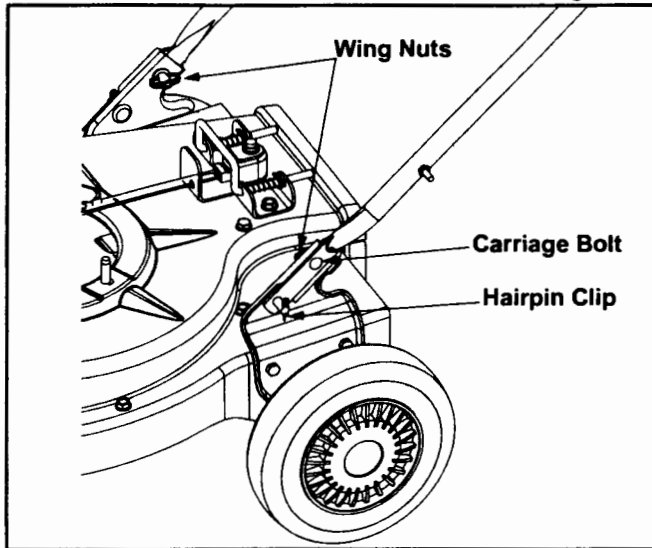


Figure 2

- Loosen the wing nut that secures the rope guide to the right side of upper handle.
- Pull the starter rope out of the engine slowly and slip the starter rope into the rope guide. Tighten the wing nut.

Attaching The Hose Assembly

- Slide hose adapter of hose assembly into the base adapter located on the left front of the Yard Vacuum. See Figure 3.
- Pull spring loaded pin out on the base and align pin with the first hole in the hose adapter.
- Release the pin to lock the hose in place.
- Connect the hose handle near nozzle end of hose to the side bracket on the upper handle. Refer to Figure 6.
- Snap hose handle to the lower handle bracket to secure in place and lay hose tubing on side hanger bracket next to chipper chute. Refer to Figure 6.

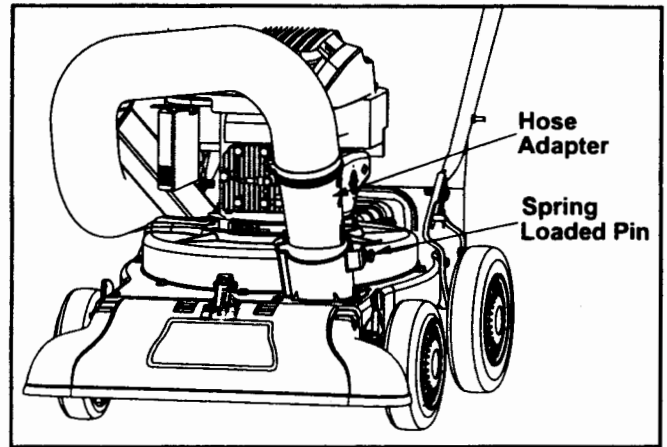


Figure 3

Attaching The Bag

- Grasp bag handle with one hand and slide locking rod on mounting bracket with other hand toward engine. Use the end of mounting bracket as leverage when sliding the locking rod. See Figure 4.
- Slip bag over the rim of the discharge opening and release locking rod to secure bag in place.
- Place the straps on the bag over the lower handle, hooking them on the studs.
- Snap bag clip to the top of the lower handle.

NOTE: The safety switch button attached to the mounting bracket must be fully depressed by the front tab on the bag handle when securing the bag or the engine will not start. See Figure 4.

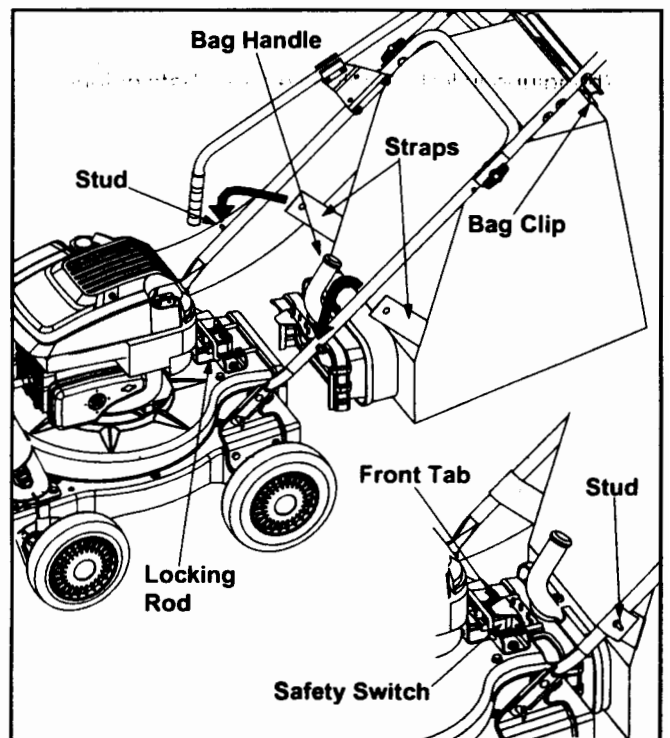


Figure 4

Attaching The Blower Chute (If Equipped)

NOTE: The blower chute is an optional feature on some model yard vacuums. It is **NOT** standard equipment. If your unit is not equipped with a blower chute, contact Customer Support as instructed on page 2 for information regarding price and availability.

- Grasp blower chute with one hand and slide locking rod on mounting bracket with other hand toward engine. Use end of mounting bracket as leverage when sliding the locking rod. See Figure 5.
- Slip blower chute over rim of the discharge opening and release locking rod to secure chute in place. Make sure the safety switch button is fully depressed by the front tab on the blower chute.
- Raise the nozzle height to the highest setting when using the blower chute. Refer to nozzle height adjustment in the OPERATION section.

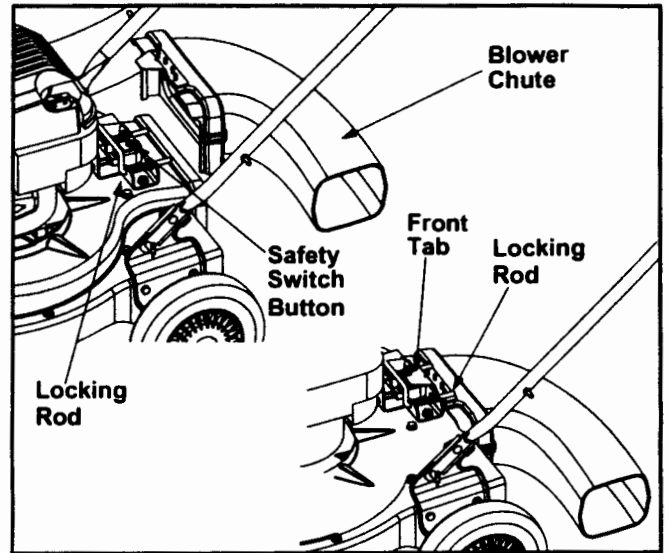


Figure 5

SECTION 3: KNOW YOUR YARD VACUUM

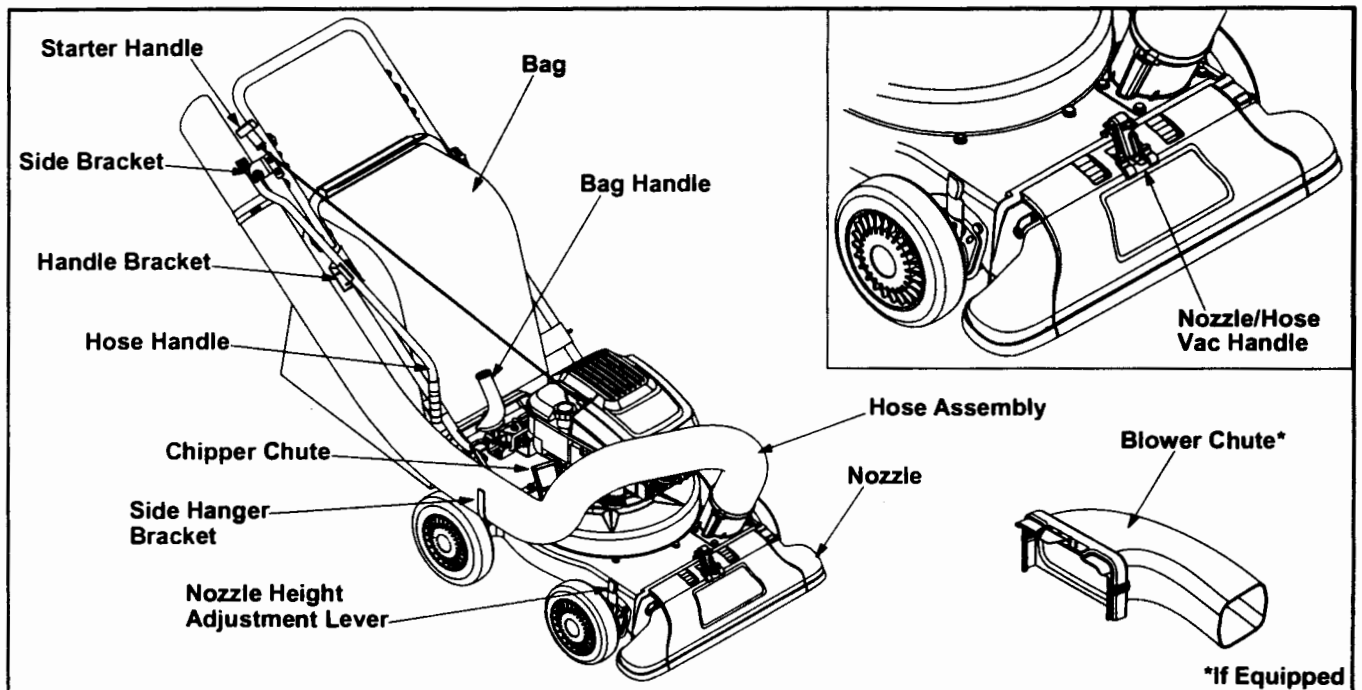


Figure 6

Read this operator's manual and safety rules before operating your Yard Vacuum. Compare the illustrations in Figure 6 with your unit to familiarize yourself with the location of various controls and adjustments.



WARNING: The operation of any Yard Vacuum can result in foreign objects being thrown into the eyes, which can result in severe eye damage. Always wear safety glasses, provided with the Yard Vacuum, for operating this equipment or while performing any adjustments or repairs on it.

Starter Handle

The starter handle is attached to the right upper handle. Stand behind unit and pull the starter handle to start engine.

Bag

Collects shredded material fed through the chipper chute or vacuumed through the nozzle or hose.

Bag Handle

Used to grasp bag in order to assist in attaching, removing, and emptying bag.

Chipper Chute

Allow twigs and small branches up to 1 1/2" in diameter to be fed into the impeller for chipping.

Blower Chute (If Equipped)

When attached to unit the blower chute is used to blow or scatter yard waste such as leaves, pine needles, or small twigs across yard.

Nozzle Height Adjustment Lever

Used to adjust the nozzle ground clearance ranging approximately 5/8" to 4 1/8".

Nozzle

Yard waste such as leaves or pine needles can be vacuumed up through the nozzle for shredding.

Hose Assembly

Used as an alternative to the nozzle to vacuum yard waste such as leaves or pine needles in hard to reach places.

Hose Handle

Used to guide hose assembly when vacuuming.

Nozzle/Hose Vac Handle

The nozzle/hose vac handle is located on top of the nozzle and it is used to regulate the vacuum between the nozzle and the hose assembly.

Throttle Control Lever (Not Shown)

The throttle control lever is located on the engine. It controls the engine's speed and stops the engine. See separate engine manual packed with unit for details.

Engine Controls

See the separate engine manual for the location and function of the controls on the engine.

SECTION 4: OPERATING YOUR YARD VACUUM



WARNING: The operation of the Yard Vacuum can result in foreign objects being thrown into the eyes, which can damage your eyes severely. Always wear the safety glasses provided with this unit or eye shields before chipping or blowing and while performing any adjustments or repairs.

Gas And Oil Fill-Up

Service the engine with gasoline and oil as instructed in the separate engine manual packed with your Yard Vacuum. Read instructions carefully.



WARNING: Never fill fuel tank indoors with engine running or until the engine has been allowed to cool for at least two minutes after running.

Starting Engine

- Attach spark plug wire to spark plug. Make certain the metal cap on the end of the spark plug is fastened securely over the metal tip on the spark plug.
- Make sure safety switch wire is connected to engine and properly grounded.
- **Engines with choke lever:** Move choke lever on engine to CHOKER position. (A warm engine may not require choking).
- **Engines with primer:** Prime engine as instructed in separate engine manual.

- The throttle control is located on the engine. Move engine throttle control lever to FAST or ON position.
- Stand behind unit, grasp starter handle and pull rope out slowly until engine reaches start of compression cycle (rope will pull slightly harder at this point).
- Pull rope with a rapid, continuous, full arm stroke. Keep a firm grip on starter handle. Let rope rewind slowly.
- Repeat previous steps until engine fires. When engine starts, move choke control (if equipped) gradually to RUN position.



WARNING: Never run the engine indoors or in a poorly ventilated area. Engine exhaust contains carbon monoxide, an odorless and deadly gas.

Stopping Engine

- Move throttle control lever to STOP or OFF position.
- Disconnect spark plug wire from spark plug and ground against the engine.

To Empty Bag

- Unhook bag straps from the lower handle and unsnap bag clip from the top of lower handle. See Figure 7.
- Grasp bag handle with one hand and pull lock rod on mounting bracket with other hand toward engine to release.
- Remove bag from rim of the discharge opening. Refer to Figure 4.

- Twist the two buttons on the back of the bag to unlock and empty contents. See Figure 7.
- Hold bag handle and bag clip while emptying the contents.
- Compress bag opening and fold inner flap over opening.
- Fold outer flap over inner flap and insert buttons on the bag through metal outlets.
- Twist the buttons to lock bag.

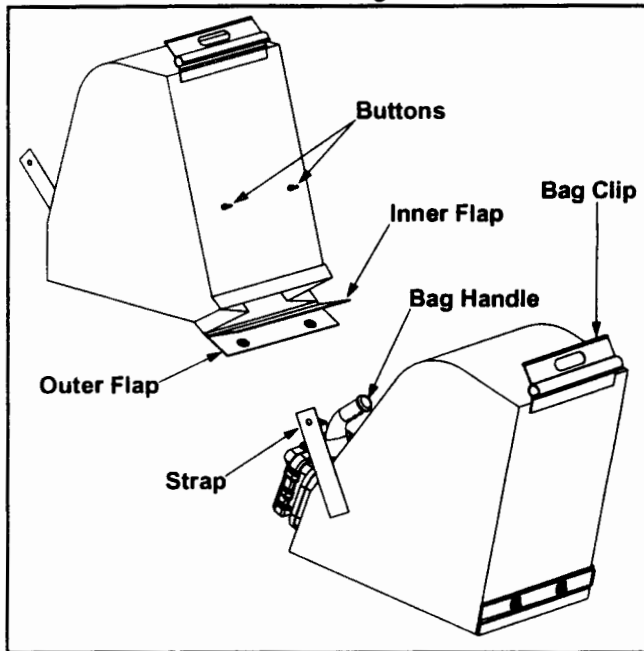


Figure 7

To Remove Blower Chute (If Equipped)

- Grasp blower chute with one hand and pull lock rod on mounting bracket with other hand toward engine to release. Refer to Figure 5.
- Remove blower chute from rim of the discharge opening.

Using the Nozzle Vacuum

- Place nozzle/hose vac handle in the top position on the nozzle to vacuum through nozzle. See Figure 8.
- The spring loaded pin must be in the first hole of the hose adapter to operate the nozzle vac.
- Place both hands on top of upper handle to push unit over yard waste.

Yard waste such as leaves and pine needles can be vacuumed up through the nozzle for shredding. After material has been shredded by the flail blades on the impeller assembly, it will be discharged into catcher bag or through blower chute (if equipped). Do not attempt to shred or chip any material other than vegetation found in a normal yard (i.e. branches, leaves, twigs, etc.) Avoid fibrous plants such as tomato vines until they are thoroughly dried out. Materials such as stalks or heavy branches up to 1 1/2" in diameter may be fed into the chipper chute.

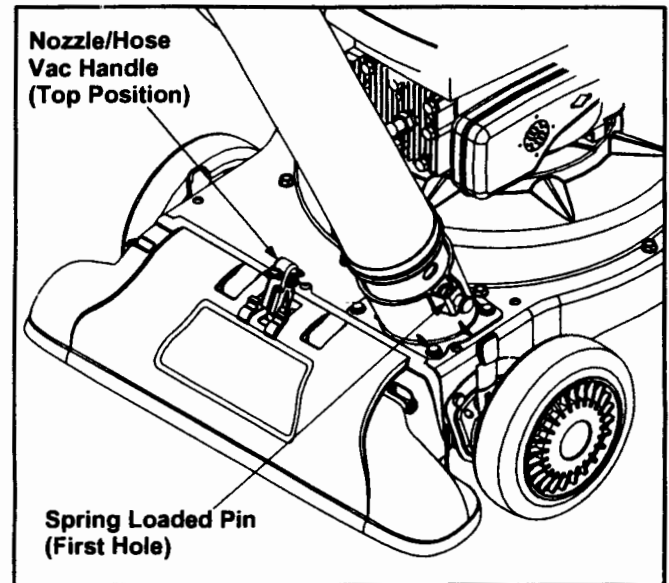


Figure 8

IMPORTANT: The flail screen is located inside the housing in the discharge area. If the flail screen becomes clogged, remove and clean as instructed in SECTION 5: MAINTAINING YOUR YARD VACUUM. For best performance, it is also important to keep the chipper blade sharp.



WARNING: Do not at any time make any adjustments without first stopping engine and disconnecting spark plug wire.

Using the Hose Assembly

- Place nozzle/hose vac handle in the bottom position on the nozzle to redirect vacuum to the hose assembly. See Figure 9.
- The spring loaded pin must be in the second hole of the hose adapter to operate the hose assembly.
- Unhook the hose from upper handle bracket and grasp the hose handle to guide while vacuuming yard waste such as leaves or pine needles in hard to reach places.

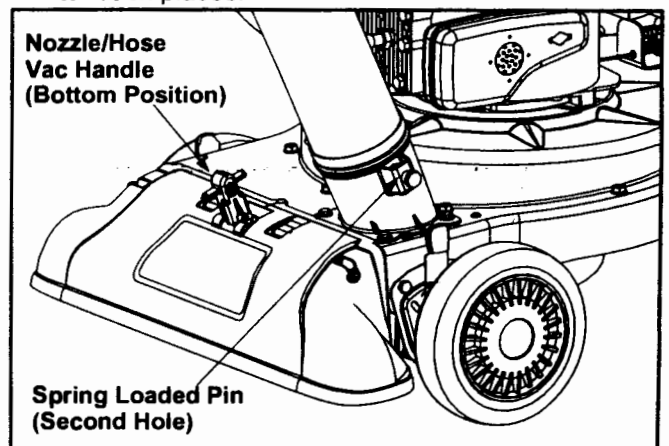


Figure 9

Nozzle Height Adjustment

The nozzle can be adjusted to any six positions, ranging from 5/8" to 4 1/8" ground clearance. The nozzle height has to be adjusted according to the conditions. Move the height adjustment levers forward or backward to adjust the nozzle upwards or downwards. Make sure both levers are in the same position. See Figure 10.

NOTE: In general, raise the nozzle height to vacuum a thick layer of leaves or to operate with the blower chute (if equipped) and lower the nozzle height for smoother surfaces.

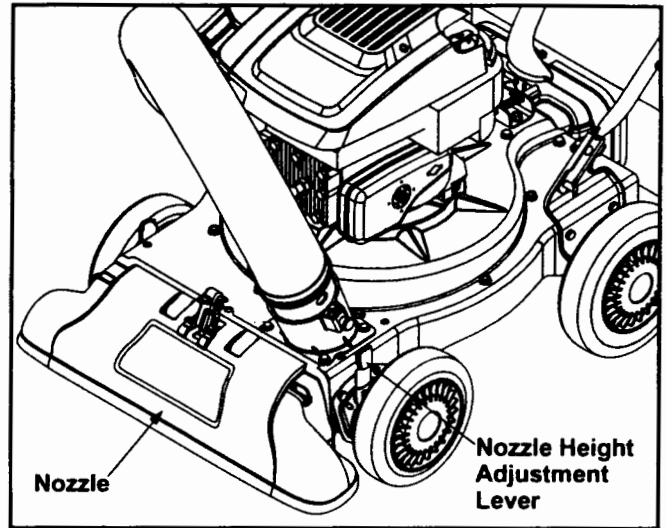


Figure 10

SECTION 5: MAINTAINING YOUR YARD VACUUM

Customer Responsibilities

MAINTENANCE SCHEDULE								SERVICE DATES					
		Before each use	Every 25 hours	Every 50 hours	Every 100 hours	Once a season	Before storage						
PRODUCT	Lubricate Wheels					✓							
	Lubricate Nozzle Levers					✓							
	Lubricate Locking Rod					✓							
	Lubricate Nozzle/Hose Handle					✓							
	Check Chipper Blade		✓			✓							
ENGINE	Change Oil		✓				✓						
	Check Air Filter		✓			✓							
	Clean Engine	✓					✓						
	Check Spark Plug			✓		✓							



WARNING: Always stop engine and disconnect spark plug wire before cleaning, lubricating or doing any kind of maintenance on your machine.

Locking Rod: Lubricate the locking rod with light oil to ease the application of attaching on or removing bag or blower chute (if equipped). Refer to Figure 6.

Nozzle/Hose Vac Handle: Lubricate the nozzle/hose vac handle on top of nozzle once a season with light oil. Refer to Figure 6.

Engine: Follow the separate engine manual packed with you unit for lubrication instructions.

Lubrication

Wheels: Lubricate each wheel shoulder screw once a season with light oil. Refer to Figure 6.

Nozzle height adjustment levers: Lubricate the pivot points of the nozzle height adjustment levers once a season with light oil. Refer to Figure 6.

ATTENTION NEW PRODUCT OWNER:



Complete the attached registration card and return today to receive these 3 important benefits:

CONFIRM YOUR WARRANTY:

Your prompt product registration confirms your right to the protection available under the terms and conditions of your Troy-Bilt warranty.

PROTECT YOUR PRODUCT:

We will keep the model number and date of purchase of your new Troy-Bilt product on file to help you refer to this information when necessary.

PROTECT YOUR PURCHASE:

Your registration may serve as your proof of purchase in the case of insurance loss such as theft, fire, or flood.

Please fill-out and return this card within 10 days!



014 B

1 First name: _____ Initial: _____ Last name: _____ Apt #: _____
 Address: (number and street) _____
 City: _____ State: _____ Zip code: _____

2 Phone #: _____

TRB2A

3 E-mail address: (EXAMPLE: yourname@yourhost.com) _____

1. Yes! I want to receive offers or communications from Troy-Bilt via e-mail.
 2. Yes! I want to receive offers or communications that may interest me from other companies via e-mail. I understand this e-mail address may be shared with and/or combined with information from other sources.

4 Date of purchase: _____
 Month Day Year

5 See Operator's Manual for location of model and serial numbers.

A. Model number: _____

B. Serial number: _____

6 How did you learn about this product? (Check all that apply)

1. Advertisement 5. In-store display
 2. Friend/family 6. Direct mail
 3. Word of mouth 7. Internet/website
 4. Review in a magazine/newspaper 8. Salesperson
 9. Other

7 What three (3) factors most influenced your selection of this product? (Check up to three)

1. Recommendation of friend/relative
 2. Brand reputation
 3. In-store display
 4. Good price/value
 5. Retailer reputation
 6. Newspaper advertisement
 7. Review in magazine or newspaper
 8. Television advertisement
 9. Prior experience with brand
 10. Salesperson recommendation/demonstration
 11. Special offer/discount/rebate
 12. Other

8 What three (3) features most influenced your purchase of this product? (Check up to three)

1. Horsepower/engine size 6. TrimmerPlus attachment availability
 2. Warranty 7. 4-cycle engine option
 3. Ease of starting 8. Cutting swath
 4. Engine brand 9. Style/design/color
 5. Work capacity 10. Other

9 What retail outlet(s) did you shop before buying this product? (Check all that apply)

1. Independent dealer 6. Wholesale club
 2. Home improvement center 7. Department store
 3. Hardware store 8. Online
 4. Discount store 9. Other
 5. Farm/ranch store

10 Before buying this unit, how long were you looking for this product?

1. Less than a month 3. 3 to 6 months
 2. 1 to 3 months 4. Over 6 months

11 What other brands did you consider before purchasing this product? (Check all that apply)

1. Craftsman 8. Ryobi
 2. Cub Cadet 9. Snapper
 3. Echo 10. Toro
 4. Homelite 11. Weed Eater
 5. Honda 12. Yard Machines
 6. Poulan 13. Yard-Man
 7. Poulan Pro 14. Other

12 Does this product replace a similar product?

1. Yes 2. No

13 If yes, how old was the product you replaced?

1. Less than 3 years 6. 7 years old
 2. 3 years old 7. 8 years old
 3. 4 years old 8. 9 years old
 4. 5 years old 9. 10 years old
 5. 6 years old 10. More than 10 years old

14 What types of outdoor power equipment do you currently own or plan to buy within the next 3 years? (Check all that apply)

- | | A. Own | B. Plan to buy |
|--|--------------------------|--------------------------|
| 1. Walk-behind lawnmower | <input type="checkbox"/> | <input type="checkbox"/> |
| 2. Lawn/garden tractor | <input type="checkbox"/> | <input type="checkbox"/> |
| 3. Tiller | <input type="checkbox"/> | <input type="checkbox"/> |
| 4. Snowthrower | <input type="checkbox"/> | <input type="checkbox"/> |
| 5. Air sweeper/blower | <input type="checkbox"/> | <input type="checkbox"/> |
| 6. Chainsaw | <input type="checkbox"/> | <input type="checkbox"/> |
| 7. Trimmer | <input type="checkbox"/> | <input type="checkbox"/> |
| 8. Edger | <input type="checkbox"/> | <input type="checkbox"/> |
| 9. Chipper/shredder/vacuum | <input type="checkbox"/> | <input type="checkbox"/> |
| 10. Log splitter | <input type="checkbox"/> | <input type="checkbox"/> |
| 11. High pressure washer | <input type="checkbox"/> | <input type="checkbox"/> |
| 12. Generator | <input type="checkbox"/> | <input type="checkbox"/> |
| 13. Utility vehicle | <input type="checkbox"/> | <input type="checkbox"/> |
| 14. Compact utility tractor (18-45 hp) | <input type="checkbox"/> | <input type="checkbox"/> |
| 15. Other | <input type="checkbox"/> | <input type="checkbox"/> |

15 How large is your property?

1. Under 1 acre 3. 2 to 5 acres
 2. 1 to 2 acres 4. Over 5 acres

16 Your gender: 1. Male 2. Female

17 Your marital status: 1. Married 2. Single

18 Date of your birth: _____
 Month Day Year

19 For your primary residence, do you:
 1. Own 2. Rent

20 Including yourself, what is the total number of people living in your household?
 (Examples: 01, 02, 03, 04...)

21 Date of birth (month/year) of the other adults and children in your household:

- | Male | Female | Male | Female |
|-----------------------------|-----------------------------|-----------------------------|-----------------------------|
| 1. <input type="checkbox"/> | 2. <input type="checkbox"/> | 1. <input type="checkbox"/> | 2. <input type="checkbox"/> |
| Month Year | Month Year | Month Year | Month Year |
| 1. <input type="checkbox"/> | 2. <input type="checkbox"/> | 1. <input type="checkbox"/> | 2. <input type="checkbox"/> |
| Month Year | Month Year | Month Year | Month Year |

22 Which best describes your family income?

1. Under \$15,000 7. \$100,000-\$124,999
 2. \$15,000-\$24,999 8. \$125,000-\$149,999
 3. \$25,000-\$34,999 9. \$150,000-\$174,999
 4. \$35,000-\$49,999 10. \$175,000-\$199,999
 5. \$50,000-\$74,999 11. \$200,000-\$249,999
 6. \$75,000-\$99,999 12. \$250,000 or over

23 Education:

(Please check which category applies to you):

1. Some high school 3. College degree
 2. Completed high school 4. Graduate degree

24 In the last six (6) months has anyone in your household purchased any of the following items through the mail and/or over the internet?

- | | A. Mail | B. Internet |
|---------------------------------|--------------------------|--------------------------|
| 1. Books/magazines | <input type="checkbox"/> | <input type="checkbox"/> |
| 2. Children's products | <input type="checkbox"/> | <input type="checkbox"/> |
| 3. Clothes | <input type="checkbox"/> | <input type="checkbox"/> |
| 4. Insurance/financial products | <input type="checkbox"/> | <input type="checkbox"/> |
| 5. Music/video/DVD | <input type="checkbox"/> | <input type="checkbox"/> |
| 6. Travel | <input type="checkbox"/> | <input type="checkbox"/> |
| 7. Other | <input type="checkbox"/> | <input type="checkbox"/> |

25 I use these credit cards:

1. American Express 4. Visa
 2. Gas/Retail 5. Other
 3. Master Card 6. Do not have credit cards

26 Someone in my home participates in the following activities: (Check all that apply)

1. Automotive work 19. Hunting/shooting
 2. Bible/devotional 20. Investments (mutual funds, IRAs)
 3. Boating/sailing 21. Investments (stocks & bonds)
 4. Camping/hiking 22. Movie watching
 5. Casino gambling 23. Own a cat
 6. Contribute to charitable causes 24. Own a dog
 7. Crafts 25. Personal computing/internet
 8. Cultural art/events 26. Photography
 9. Cycling 27. Read books
 10. Do-it-yourself 28. Snow skiing
 11. Enter sweepstakes/contests 29. Self improvement
 12. Fishing 30. Soccer
 13. Fitness/exercise/jogging 31. Tennis
 14. Gardening 32. Travel-Foreign
 15. Golf 33. Travel-U.S.
 16. Gourmet cooking/food/wines 34. TV shopping
 17. Grandchildren 35. Vitamins/natural foods
 18. Home decorating 36. Watch sports on TV

Thank you! We appreciate your responses to this questionnaire. The information you choose to share with us will be used by us and our marketing partners to offer you product information and other communications that may interest you. If you prefer not to be contacted about these special offers, please check here .

Form # 770-10764

PLEASE FOLD AND SEAL WITH TAPE BEFORE MAILING. DO NOT STAPLE.

REGISTER ONLINE AT:
WWW.TROYBILT.COM

THANK YOU FOR PURCHASING



PLEASE FOLD ALONG THIS LINE AND SEAL WITH TAPE BEFORE MAILING. DO NOT STAPLE.

Please do not send products or other
correspondence to the address below.

014 B



PLACE
FIRST-CLASS
STAMP
HERE

TROY-BILT

PRODUCT REGISTRATION DEPARTMENT

PO BOX 8566

DENVER CO 80201-8566



TROY-BILT®

PLEASE FOLD AND SEAL WITH TAPE BEFORE MAILING. DO NOT STAPLE.

Maintenance

Engine

Refer to the separate engine manual for all engine maintenance instructions.

- Check **engine oil level** before each use as instructed in the separate engine manual packed with your unit. Read and follow instructions carefully.
- Clean **air cleaner** every 25 hours under normal conditions or once a season. Clean every few hours under extremely dusty conditions. To service the air cleaner, refer to the separate engine manual packed with your unit.
- The **spark plug** should be cleaned and the gap reset once a season. Check engine manual for correct plug type and gap specifications.

Removing The Flail Screen

If the discharge area becomes clogged, remove the flail screen and clean area as follows:

- Stop the engine and make certain the Yard Vacuum has come to a complete stop.
- Disconnect spark plug wire from spark plug and ground against the engine.
- Remove the bag or blower chute (if equipped) from the unit as instructed in the OPERATION section to obtain access to flail screen. See Figure 11.

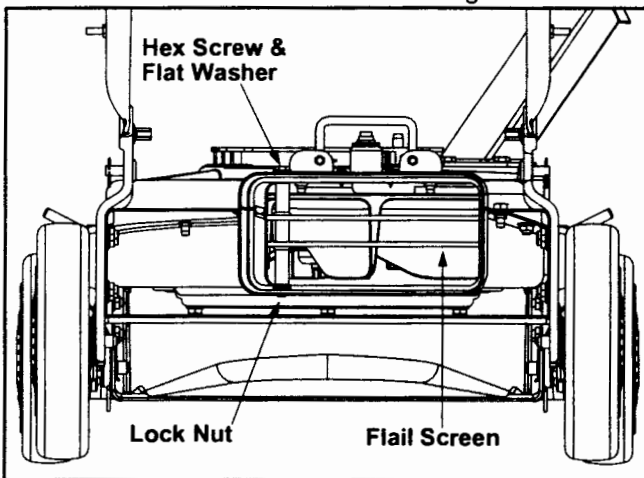


Figure 11

- Remove hex screw on right side of unit that attaches to the flail screen. It may be necessary to remove the hose bracket hanger to get access to the hex screw. See Figure 12.
- Remove hex screw and flat washer on top of rear housing mounting bracket and the lock nut that secures flail screen. See Figure 11.
- Remove and clean the screen by scraping or washing with water. Reinstall the flail screen.

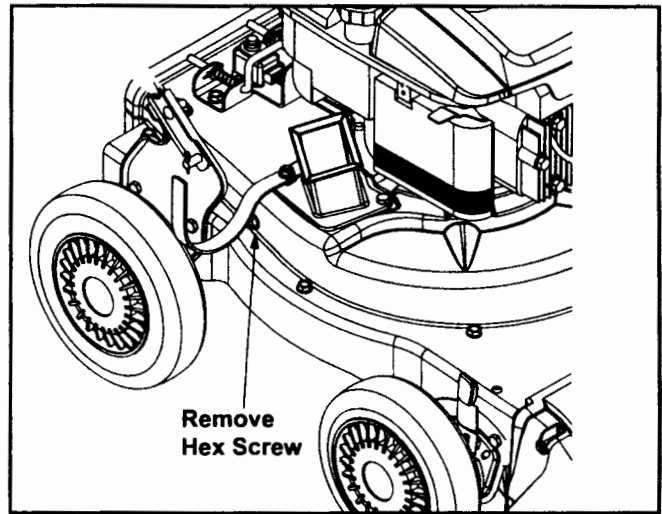


Figure 12

Sharpening Or Replacing Chipper Blade

Because the engine on this unit has a tapered crankshaft, a special impeller tool (part number 753-0900) is required to remove the impeller assembly. For further assistance, contact your local service dealer.

NOTE: When tipping the unit, empty the fuel tank and keep spark plug side up.

- Disconnect the spark plug wire and ground it away from the spark plug.
- Remove the front hubcaps, lock nuts, front wheels, and wave washers that attach to the pivot arm assemblies. See Figure 13.
- Remove the shoulder screws, thrust and bell washers that go through the pivot arms and height adjustment brackets to the front support brace.

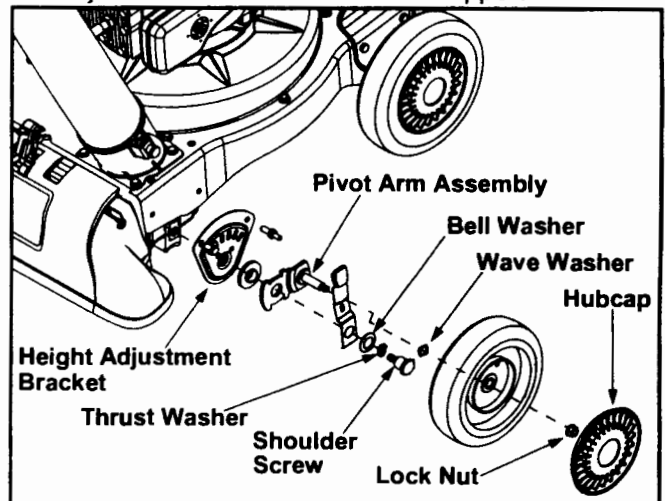


Figure 13

- Remove the three screws on the upper housing that secure the nozzle cover and the nine screws that secure the lower housing to the upper housing. See Figure 14.

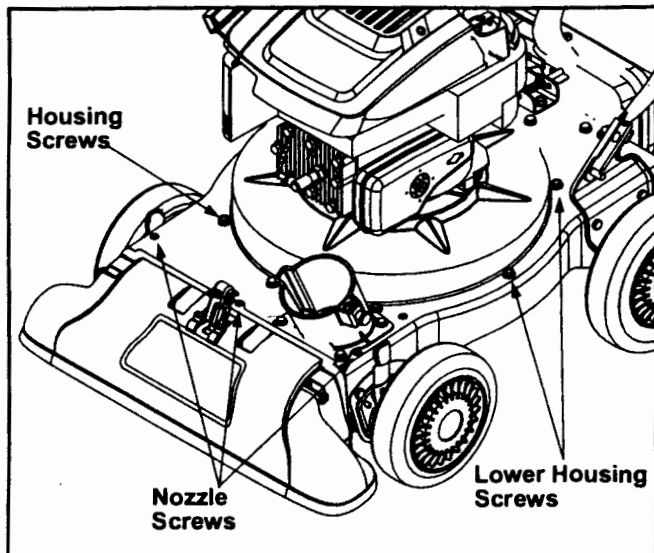


Figure 14

- Remove lock nut that secures flail screen to the lower housing. The flail screen does not have to be removed. Refer to Figure 11.
- Remove the hex bolt, lock washer, and flat washer that secure the impeller assembly to the crankshaft. See Figure 15.

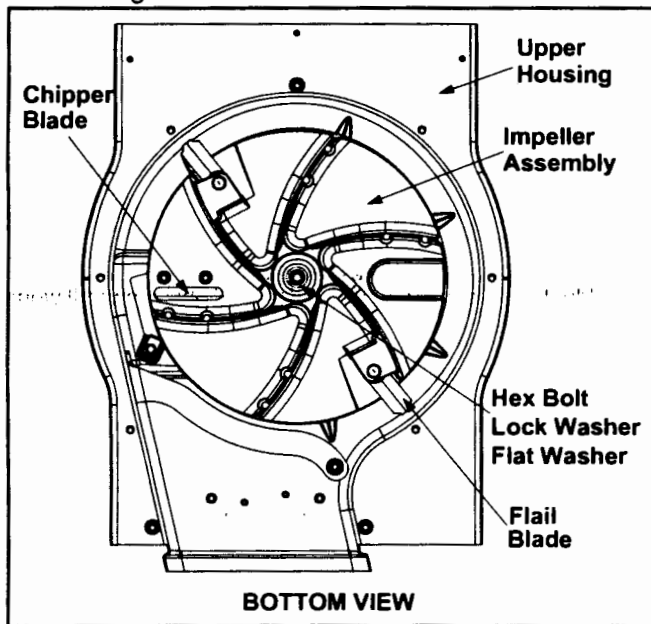


Figure 15

- Apply lubricant to the threads of impeller removal tool and then thread the tool into the crankshaft. Stop when the impeller assembly can move on the crankshaft.
- Remove the impeller assembly from the crankshaft. Unthread the impeller removal tool from the impeller assembly.
- Remove the blade using a 3/16" allen wrench on the outside of the blade and 1/2" wrench on the impeller assembly.
- Replace or sharpen chipper blade.
- When sharpening blade, protect hands by using gloves and follow the original angle of grind.
- Reassemble by performing the previous steps in reverse order.
- Tighten blade screws to 210-250 in-lbs.
- Tighten impeller bolt to 375-425 in-lbs.

NOTE: Make certain chipper blade is reassembled with the sharp edge facing upward. See Figure 16.

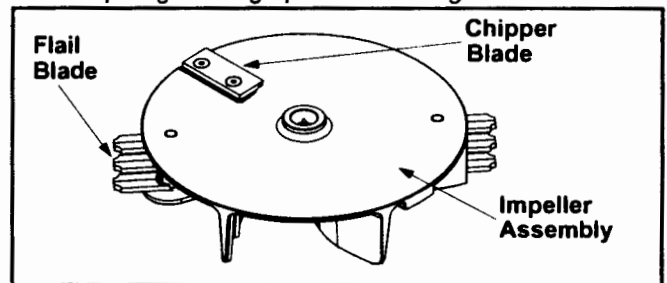


Figure 16

Storing Your Yard Vacuum

- Clean the equipment thoroughly.
- Wipe equipment with a oiled rag to prevent rust.
- Refer to engine manual for correct engine storage instructions.
- Store unit in a clean, dry area. Do not store next to corrosive materials such as fertilizer.

SECTION 6: TROUBLESHOOTING

Problem	Cause	Remedy
Engine fails to start	<ol style="list-style-type: none"> 1. Spark plug wire disconnected. 2. Fuel tank empty or stale fuel. 3. Throttle control lever not in correct starting position. 4. Choke not in CHOKE position. (If Equipped) 5. Engine (if equipped with a primer) not primed properly. 6. Blocked fuel line. 7. Faulty spark plug. 	<ol style="list-style-type: none"> 1. Connect wire to spark plug. 2. Fill tank with clean, fresh gasoline. 3. Move throttle lever to FAST position. 4. Move choke to CHOKE position. 5. Prime engine. 6. Clean fuel line. 7. Clean, adjust gap, or replace.
Engine runs erratic	<ol style="list-style-type: none"> 1. Spark plug wire loose. 2. Unit running on CHOKE. (If Equipped) 3. Blocked fuel line or stale fuel. 4. Water or dirt in fuel system. 5. Dirty air cleaner. 6. Carburetor out of adjustment. 	<ol style="list-style-type: none"> 1. Connect and tighten spark plug wire. 2. Move choke lever to OFF position. 3. Clean fuel line; fill tank with clean, fresh gasoline. 4. Drain fuel tank. Refill with fresh fuel. 5. Clean or replace air cleaner. 6. See authorized service dealer.
Too much vibration	<ol style="list-style-type: none"> 1. Loose parts or damaged impeller. 	<ol style="list-style-type: none"> 1. See authorized service dealer.
Engine overheats	<ol style="list-style-type: none"> 1. Engine oil level low. 2. Dirty air cleaner. 3. Carburetor not adjusted properly. 	<ol style="list-style-type: none"> 1. Fill crankcase with proper oil. 2. Clean or replace air cleaner. 3. See authorized service dealer.
Occasional skip (hesitates) at high speed	<ol style="list-style-type: none"> 1. Spark plug gap too close. 	<ol style="list-style-type: none"> 1. Adjust gap to .030".
Unit does not discharge	<ol style="list-style-type: none"> 1. Discharge chute clogged. 2. Foreign object lodged in impeller. 3. Low engine RPM 4. Vacuum bag is full. 	<ol style="list-style-type: none"> 1. Stop engine immediately and disconnect spark plug wire. Clean flail screen and inside of discharge opening. 2. Stop engine and disconnect spark plug wire. Remove lodged object. 3. Always run engine at full throttle. 4. Empty bag.
Rate of discharge slows considerably or composition of discharged material changes.	<ol style="list-style-type: none"> 1. Low engine RPM. 2. Chipper blade dull. 	<ol style="list-style-type: none"> 1. Always run engine at full throttle. 2. Replace chipper blade or see your authorized service dealer.

NOTE: For repairs beyond the minor adjustments listed above, contact your nearest authorized service dealer.

MANUFACTURER'S LIMITED WARRANTY FOR:



The limited warranty set forth below is given by Troy-Bilt LLC with respect to new merchandise purchased and used in the United States, its possessions and territories.

"Troy-Bilt" warrants this product against defects in material and workmanship for a period of two (2) years commencing on the date of original purchase and will, at its option, repair or replace, free of charge, any part found to be defective in materials or workmanship. This limited warranty shall only apply if this product has been operated and maintained in accordance with the Operator's Manual furnished with the product, and has not been subject to misuse, abuse, commercial use, neglect, accident, improper maintenance, alteration, vandalism, theft, fire, water, or damage because of other peril or natural disaster. Damage resulting from the installation or use of any part, accessory or attachment not approved by Troy-Bilt for use with the product(s) covered by this manual will void your warranty as to any resulting damage.

Normal wear parts or components thereof are subject to separate terms as follows: All normal wear parts or component failures will be covered on the product for a period of 90 days regardless of cause. After 90 days, but within the two year period, normal wear part failures will be covered ONLY IF caused by defects in materials or workmanship of OTHER component parts. Normal wear parts and components include, but are not limited to: batteries, belts, blades, blade adapters, grass bags, rider deck wheels, seats, snow thrower skid shoes, shave plates, auger spiral rubber, and tires.

HOW TO OBTAIN SERVICE: Warranty service is available, WITH PROOF OF PURCHASE, through your local authorized service dealer. To locate the dealer in your area, check your Yellow Pages, or contact Troy-Bilt LLC at P.O. Box 361131, Cleveland, Ohio 44136-0019, or call 1-866-840-6483 or 1-330-558-7220, or log on to our Web site at www.troybilt.com.

This limited warranty does not provide coverage in the following cases:

- a. Engine or components thereof. These items may carry a separate manufacturer's warranty. Refer to applicable manufacturer's warranty for terms and conditions.
- b. Log splitter pumps, valves, and cylinders have a separate one year warranty.
- c. Routine maintenance items such as lubricants, filters, blade sharpening, tune-ups, brake adjustments, clutch adjustments, deck adjustments, and normal deterioration of the exterior finish due to use or exposure.

- d. Troy-Bilt does not extend any warranty for products sold or exported outside of the United States, its possessions and territories, except those sold through Troy-Bilt's authorized channels of export distribution.
- e. Replacement parts that are not genuine Troy-Bilt parts.
- f. Service completed by someone other than an authorized service dealer.
- g. Transportation charges and service calls.

No implied warranty, including any implied warranty of merchantability of fitness for a particular purpose, applies after the applicable period of express written warranty above as to the parts as identified. No other express warranty, whether written or oral, except as mentioned above, given by any person or entity, including a dealer or retailer, with respect to any product, shall bind Troy-Bilt. During the period of the warranty, the exclusive remedy is repair or replacement of the product as set forth above.

The provisions as set forth in this warranty provide the sole and exclusive remedy arising from the sale. Troy-Bilt shall not be liable for incidental or consequential loss or damage including, without limitation, expenses incurred for substitute or replacement lawn care services or for rental expenses to temporarily replace a warranted product.

Some states do not allow the exclusion or limitation of incidental or consequential damages, or limitations on how long an implied warranty lasts, so the above exclusions or limitations may not apply to you.

In no event shall recovery of any kind be greater than the amount of the purchase price of the product sold. **Alteration of safety features of the product shall void this warranty.** You assume the risk and liability for loss, damage, or injury to you and your property and/or to others and their property arising out of the misuse or inability to use the product.

This limited warranty shall not extend to anyone other than the original purchaser or to the person for whom it was purchased as a gift.

HOW STATE LAW RELATES TO THIS WARRANTY: This limited warranty gives you specific legal rights, and you may also have other rights which vary from state to state.

IMPORTANT: Owner must present Original Proof of Purchase to obtain warranty coverage.

Troy-Bilt LLC, P.O. BOX 361131 CLEVELAND, OHIO 44136-0019; Phone: 1-866-840-6483, 1-330-558-7220

Free Manuals Download Website

<http://myh66.com>

<http://usermanuals.us>

<http://www.somanuals.com>

<http://www.4manuals.cc>

<http://www.manual-lib.com>

<http://www.404manual.com>

<http://www.luxmanual.com>

<http://aubethermostatmanual.com>

Golf course search by state

<http://golfingnear.com>

Email search by domain

<http://emailbydomain.com>

Auto manuals search

<http://auto.somanuals.com>

TV manuals search

<http://tv.somanuals.com>