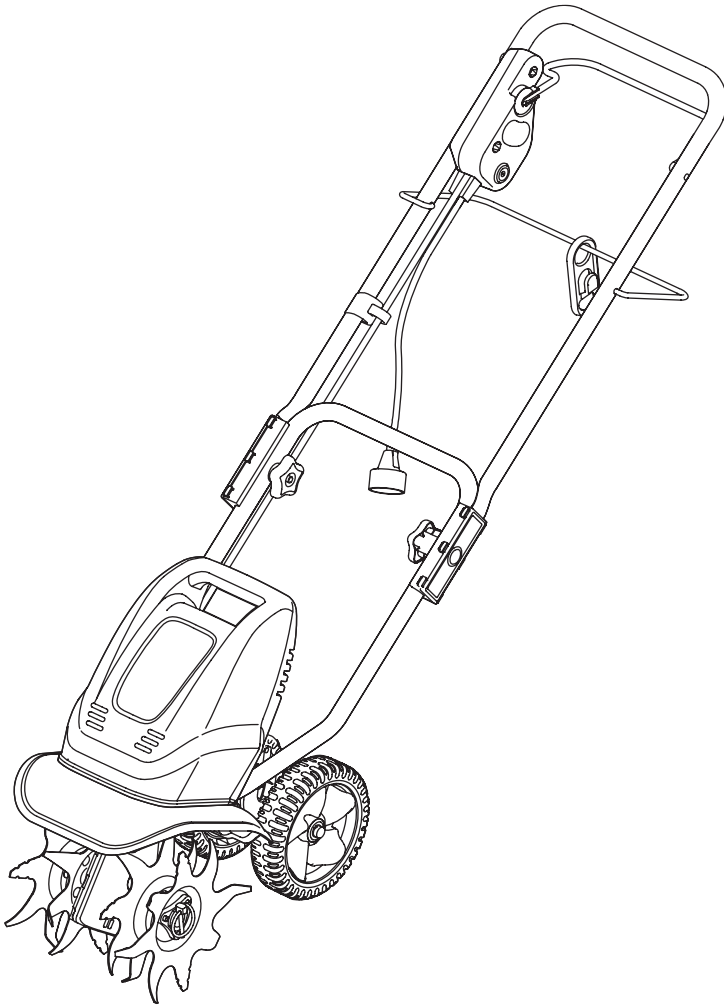




# Operator's Manual

## Electric Garden Cultivator TB154



### SAVE THESE INSTRUCTIONS

#### TABLE OF CONTENTS

Service Information .....	.1
Rules for Safe Operation .....	.2
Know Your Cultivator .....	.4
Assembly Instructions .....	.5
Starting/Stopping Instructions .....	.7
Operating Instructions .....	.8
Maintenance and Repair Instructions .....	.9
Troubleshooting Chart .....	.10
Specifications .....	.10
Warranty Information .....	.14
Parts List .....	.E12-E13

For service call **1-800-828-5500** in the United States, or **1-800-668-1238** in Canada to obtain a list of authorized service dealers near you. For more details about your unit, visit our website at [www.troybilt.com](http://www.troybilt.com).


**DO NOT RETURN THE UNIT TO THE RETAILER. PROOF OF PURCHASE WILL BE REQUIRED FOR WARRANTY SERVICE.**

THIS PRODUCT IS COVERED BY ONE OR MORE U.S. PATENTS. OTHER PATENTS PENDING.

Service on this unit both within and after the warranty period should be performed only by an authorized and approved service dealer.

All information, illustrations, and specifications in this manual are based on the latest product information available at the time of printing. We reserve the right to make changes at any time without notice.

Copyright© 2007 MTD SOUTHWEST INC, All Rights Reserved.

	<b>WARNING:</b> When using the unit, you must follow the safety rules. Please read these instructions before operating the unit in order to ensure the safety of the operator and any bystanders. Please keep these instructions for later use.
---	---

## RULES FOR SAFE OPERATION

### • IMPORTANT SAFETY INSTRUCTIONS •



**WARNING:** When using electric gardening appliances, basic safety precautions should always be followed to reduce the risk of fire, electric shock, and personal injury, including the following:

#### TRAINING



**WARNING:** When using the unit, you must follow the safety rules. Please read these instructions before operating the unit in order to ensure the safety of the operator and any bystanders. Please keep these instructions for later use.

- Read, understand, and follow all instructions on the machine and in the manual(s) before attempting to assemble and operate. Be thoroughly familiar with the controls and the proper use of the cultivator. Keep this manual in a safe place for future and regular reference and for ordering replacement parts.
- Be familiar with all controls and their proper operation. Know how to stop the machine and disengage tines quickly.
- Never allow children under 14 years old to operate this machine. Children 14 years old and over should read and understand the operation instructions and safety rules in this manual and should be trained and supervised by a parent.
- Never allow adults to operate this machine without proper instruction.
- Keep bystanders, helpers, pets, and children at least 50 feet from the machine while it is in operation. Stop machine if anyone enters the area.

#### PREPARATION

- Thoroughly inspect the area where the equipment is to be used. Remove all stones, sticks, wire, and other foreign objects which could be tripped over and cause personal injury.



**WARNING:** To reduce risk of electric shock use only UL Listed extension cord suitable for outdoor use, such as Type SW-A, SOW-A, STW-A, STOW-A, SJW-A, SJOW-A, SJTW-A, or SJTOW-A.

- Extension Cord—Make sure your extension cord set is in good condition, is heavy enough to carry the current your cultivator will draw.

#### MINIMUM WIRE SIZE FOR EXTENSION CORDS FOR 120 VOLT APPLIANCES USING 6-10 AMPS

Cord Length (ft.)	25	50	100	150
Wire Size (AWG)	18	16	14	12

If in doubt, use the next heavier gage cord. The smaller the gage number, the heavier the cord. An undersized cord will cause a drop in line voltage resulting in loss of power and overheating. To reduce the likelihood of disconnection of the extension cord set from the cultivator, be sure to use the cord restraint provided.

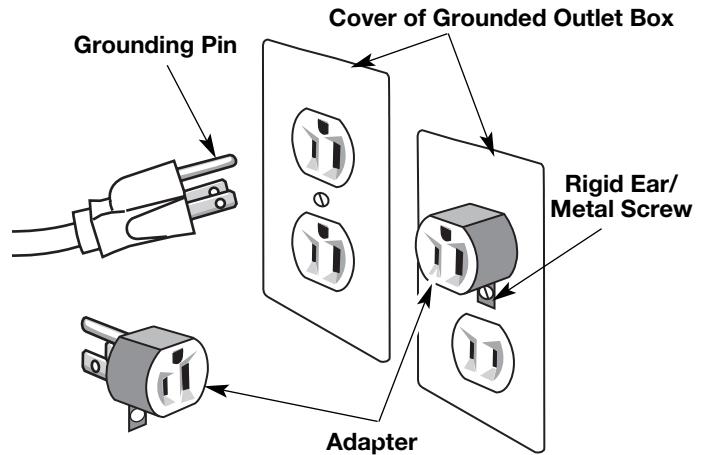
- If extension cord is damaged in any manner while plugged in, disconnect extension cord from house receptacle.



**WARNING:** Do not change the plug on the cultivator in any way.

- Inspect cultivator cord periodically, and if damaged, have it repaired by an authorized service facility. Inspect extension cord periodically and replace if damaged.
- Dress properly. Wear sturdy, rough-soled work shoes and close-fitting slacks and shirts. Loose fitting clothes or jewelry can be caught in movable parts. Never operate this machine in bare feet or sandals. Use of rubber gloves is recommended when working outdoors. Wear protective hair covering to contain long hair.
- Wear safety glasses or goggles when operating this unit. Wear a face or dust mask if the operation is dusty. Such protective equipment is available from your authorized service dealer or retailer.

- Use the right tool. Do not use cultivator for any job except that for which it is intended.



- Grounding Instructions—The cultivator should be grounded while in use to reduce the risk of electric shock to the operator. The cultivator is equipped with a three-conductor cord and a three-prong grounding plug to fit the proper grounding receptacle. The green (or green and yellow) wire conductor in the cord is the grounding wire. Never connect the green (or green and yellow) wire to a live terminal. Your cultivator has a plug as illustrated in Fig. A. An adapter, illustrated in Fig. C, is available for connecting plugs as illustrated in Fig. B to two-prong receptacles. The green-colored rigid ear, lug, or the like, must be connected to a permanent ground, such as a properly grounded outlet box.
- Use only three-wire outdoor extension cords that have three-prong grounding plugs and grounding receptacles that accept the cultivator's plug.
- Keep handle dry, clean, and free from oil and grease.
- Fuses—The cultivator should be operated on a 15 or 20 AMP circuit. If difficulty in starting is experienced with a standard 15 AMP fuse or circuit breaker or the cultivator's built-in overload protection switch frequently trips, contact your nearest authorized service location. Do not use a higher rated fuse without consulting your power company.
- Ground Fault Circuit Interrupter (GFCI) protection should be provided on the circuit(s) or outlet(s) to be used for the cultivator. Receptacles are available having built-in GFCI protection and may be used for this measure of safety.
- Never attempt to make any adjustments while motor is running.

#### OPERATION

- Avoid dangerous environment. Don't use cultivator in damp or wet locations.
- Don't use the cultivator in the rain.
- Do not operate cultivator on excessively steep slopes.
- Avoid unintentional starting. Don't carry plugged-in cultivator with your hands/fingers on the motor starting controls.
- Do not abuse cord. Never pull or carry the cultivator by cord or yank the cord to disconnect it from the receptacle. Keep cord away from heat, oil, and sharp edges.
- If extension cord is damaged in any manner while plugged in, disconnect extension cord from house receptacle.
- Do not put hands or feet near rotating parts. Contact with the rotating parts can amputate fingers, hands, and feet.
- Do not operate machine while under the influence of alcohol or drugs.
- Only operate cultivator in daylight or good artificial light. Don't overreach. Keep proper footing and balance and a firm hold on the handle at all times.
- Stay alert. Watch what you are doing. Use common sense. Do not operate cultivator when you are tired.
- Don't force cultivator. It will do a better job and with less likelihood of a risk of injury if operated at the rate for which it was designed.

## RULES FOR SAFE OPERATION

- Keep bystanders, helpers, pets, and children at least 50 feet from the machine while it is in operation. Stop machine if anyone enters the area.
- Be careful when cultivating in hard ground. The tines may catch in the ground and propel the cultivator forward. If this occurs, let go of the handle and do not restrain the machine.
- Never operate the machine at high transport speeds on hard or slippery surfaces.
- Exercise caution to avoid slipping or falling.
- Look down, behind, and use care when pulling machine towards you.
- Start the motor according to the instructions found in this manual and keep feet well away from the tines at all times.
- After striking a foreign object, stop the motor and disconnect the power cord to prevent accidental starting. Thoroughly inspect the machine for any damage. Repair the damage before starting and operating.
- Stop the motor, disconnect the power cord to prevent accidental starting and wait until the tines come to a complete stop before unclogging the tines, making any adjustments, or inspections.
- Use caution when cultivating near fences, buildings and underground utilities. Rotating tines can cause property damage or personal injury.
- Do not overload machine capacity by attempting to cultivate soil too deep or too fast of a rate.
- If the machine should start making an unusual noise or vibration, stop the motor and disconnect the power cord to prevent accidental starting. Inspect machine thoroughly for damage. Repair any damage before starting motor and operating.
- Keep all shields, guards and safety devices in place and operating properly.
- To avoid an electrical shock hazard, never push or pull the cultivator over the electrical cord while operating.
- When picking up the cultivator, use the handle provided. Don't grasp the tines when picking up or holding the cultivator. Never pick up or carry machine while the motor is running.
- Use only attachments and accessories approved by the cultivator manufacturer. Failure to do so can result in personal injury and/or damage to your cultivator.
- If situations occur which are not covered in this manual, use care and good judgment.

### MAINTENANCE AND STORAGE

- Never tamper with safety devices. Check their proper operation regularly.
- Check bolts and screws for proper tightness at frequent intervals to keep the machine in safe working condition. Also, visually inspect machine for any damage.
- Before leaving the equipment, changing tine width, cleaning, repairing, making adjustments and the like, stop the motor, disconnect the power cord to prevent accidental starting and make certain the tines and all moving parts have stopped.
- Do not wash cultivator with a hose. Avoid getting water on motor and electrical connections
- Maintain or replace safety and instruction labels, as necessary.
- Follow this manual for safe loading, unloading, transporting, and storage of this machine.
- Always refer to the operator's manual for proper instructions on off-season storage. When not in use, cultivator should be stored indoors in a dry, and high or locked-up place out of the reach of children.
- Maintain cultivator with care. Follow instructions for lubrication and cleaning.
- Check for damaged parts. Before further use, a guard or other part that is damaged should be carefully checked to determine that it will operate properly and perform its intended function. Check alignment of moving parts, binding of moving parts, breakage of parts, mounting, and any other condition that may affect its operation. A guard or other part that is damaged should be properly repaired or replaced by an authorized service center.



**WARNING:** Restrict the use of this power machine to persons who read, understand and follow the warnings and instructions in this manual and on the machine.

### SAVE THESE INSTRUCTIONS

### SAFETY AND INTERNATIONAL SYMBOLS

This operator's manual describes safety and international symbols and pictographs that may appear on this product. Read the operator's manual for complete safety, assembly, operating and maintenance and repair information.

#### SYMBOL

#### MEANING



- **SAFETY ALERT SYMBOL**  
Indicates danger, warning or caution. May be used in conjunction with other symbols or pictographs.



- **WARNING - READ OPERATOR'S MANUAL**  
Read the operator's manual(s) and follow all warnings and safety instructions. Failure to do so can result in serious injury to the operator and/or bystanders.

#### SYMBOL

#### MEANING

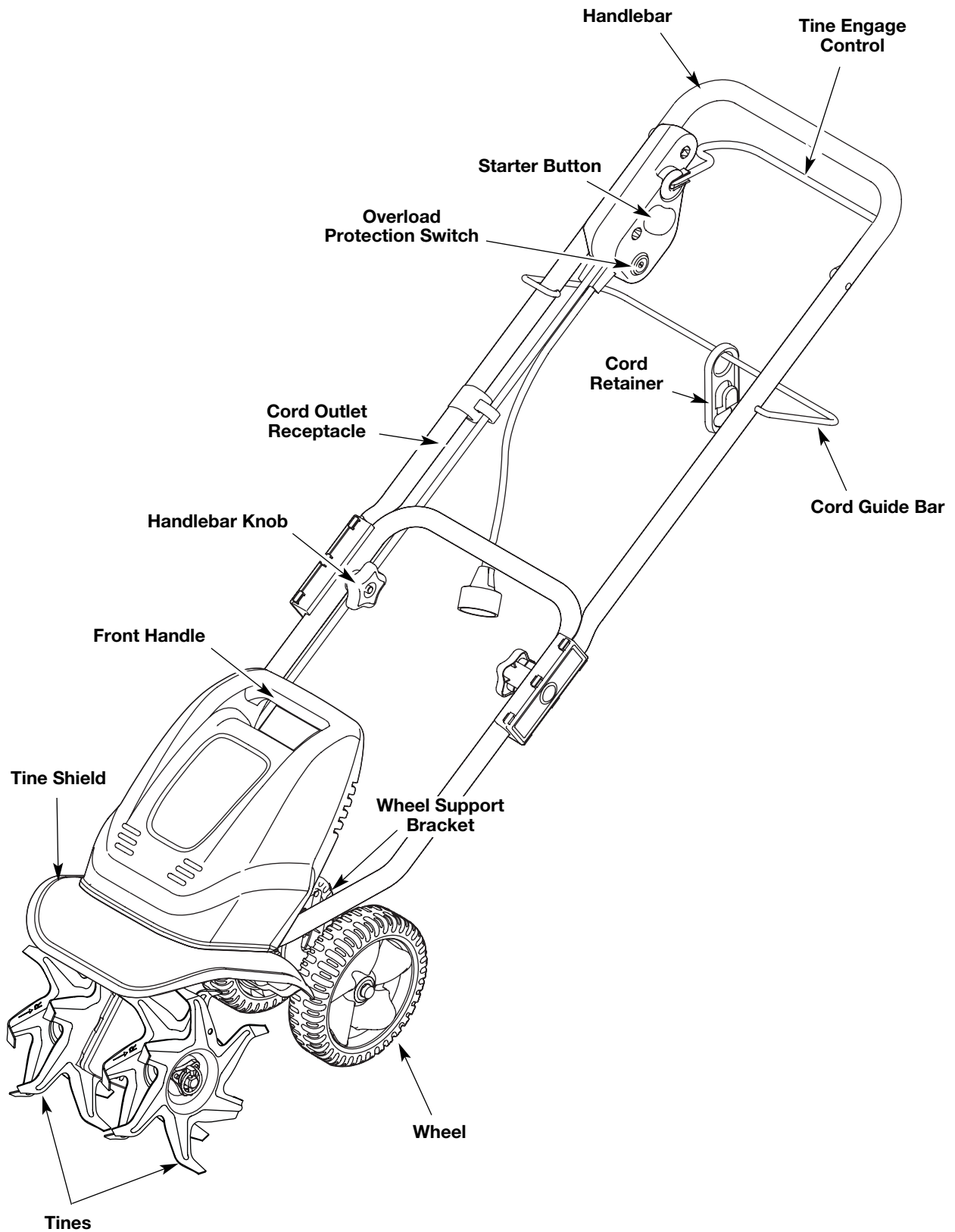


- **GARDEN CULTIVATORS – ROTATING TINES CAN CAUSE SEVERE INJURY**  
**WARNING:** Stop the motor, unplug the extension cord, and allow the tines to stop before removing tines, or before cleaning or performing any maintenance. Keep hands and feet away from rotating tines.

## KNOW YOUR CULTIVATOR

### APPLICATIONS

- Cultivating sod and light to medium soil
- Cultivating in garden areas, around trees, etc.



## ASSEMBLY INSTRUCTIONS

### ASSEMBLING THE HANDLEBARS



**WARNING:** To prevent serious personal injury, do not connect electric extension cord to unit until fully completing cultivator assembly.

Before you can operate the unit, you must install the handlebars.

1. When you unpack the unit, hold the handle bar in the position shown in Figure 1 and slide it onto the lower bars.
2. Align the holes in the handlebar with the holes in the lower bars and insert the bolts through those holes.
3. Hold the handle in place while screwing the knobs onto the bolts (Fig. 2).
4. Tighten the knobs to secure the handlebars in place.

**NOTE:** Do not over-tighten the knobs.

5. Check to make sure the bail is assembled into the switch assembly (Fig. 1, Inset A).

**NOTE:** Take care not to pinch the switch cable when positioning the handlebars.

6. Clip the switch cable to the cable restraint on the lower bar as shown in Figure 1, Inset B.

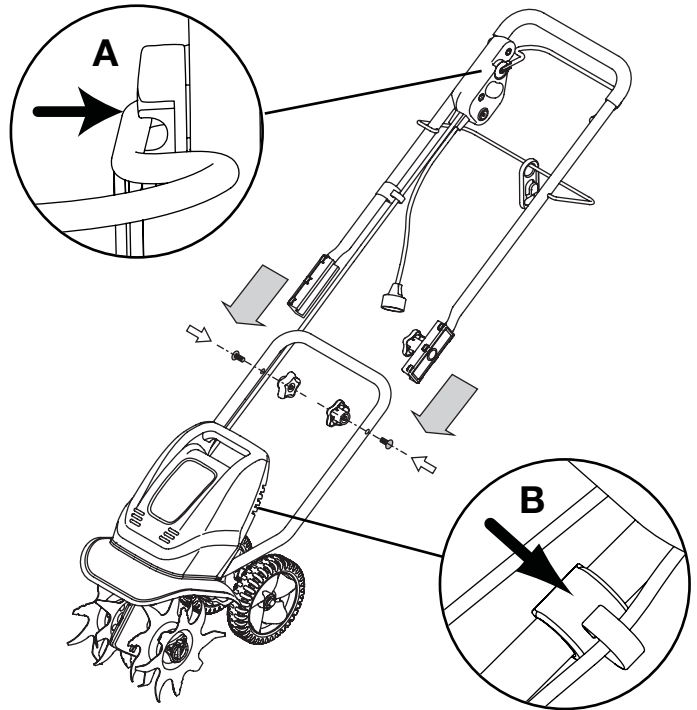


Fig. 1

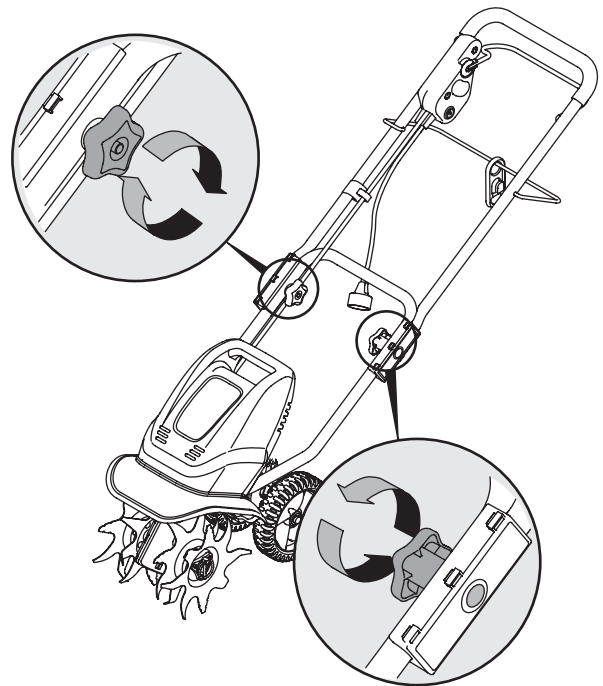


Fig. 2

## ASSEMBLY INSTRUCTIONS

### USING THE CORD RETAINER

There is an extension cord retainer to prevent the extension cord from disconnecting during use. The retainer hangs from the cord guide bar.

**NOTE:** Do not plug the extension cord into the power source receptacle until the cord is connected to the cord retainer and plugged into the unit.

To use the cord retainer:

1. Fold the extension cord in half, forming a tight loop near the receptacle.
2. Push the loop through the bottom hole in the retainer (Fig. 3).

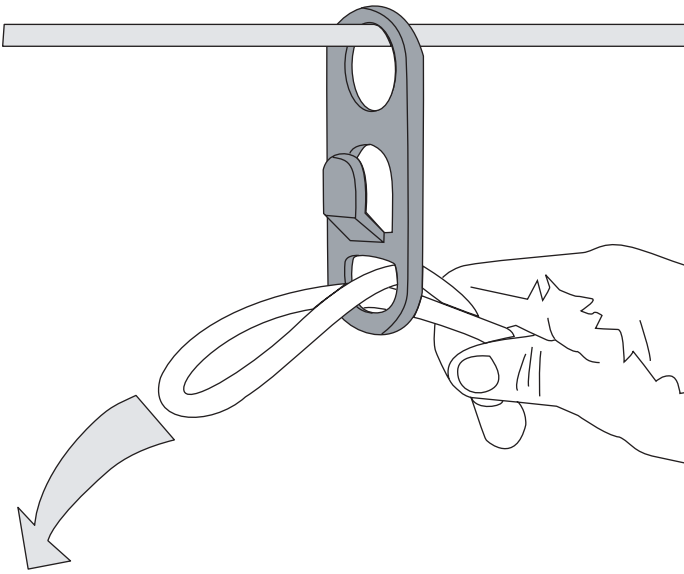


Fig. 3

3. Slide the loop over the retaining clip and pull down until the cord fits snugly (Fig. 4).

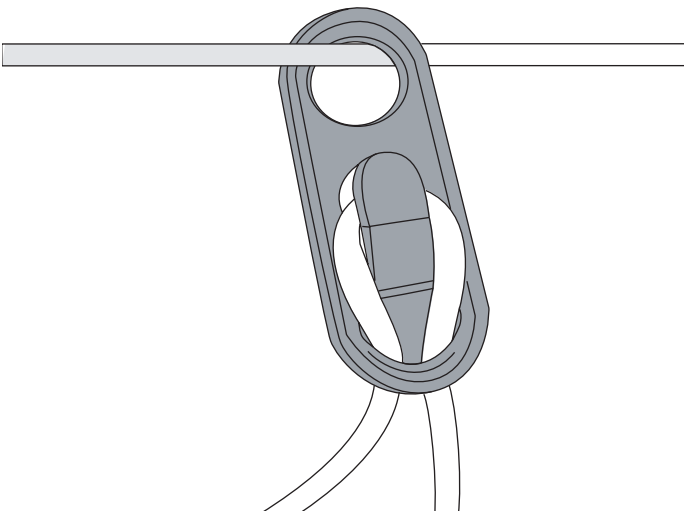


Fig. 4

**NOTE:** Use a UL-approved extension cord. A 100-foot, 14-gauge cord is recommended. A 50-foot, 16-gauge cord is acceptable.

The cord retainer keeps the extension cord safely to the side of the operator by sliding to the left and right on the guide bar as the unit is moved. Connect your extension cord to the unit as shown in Figure 5.

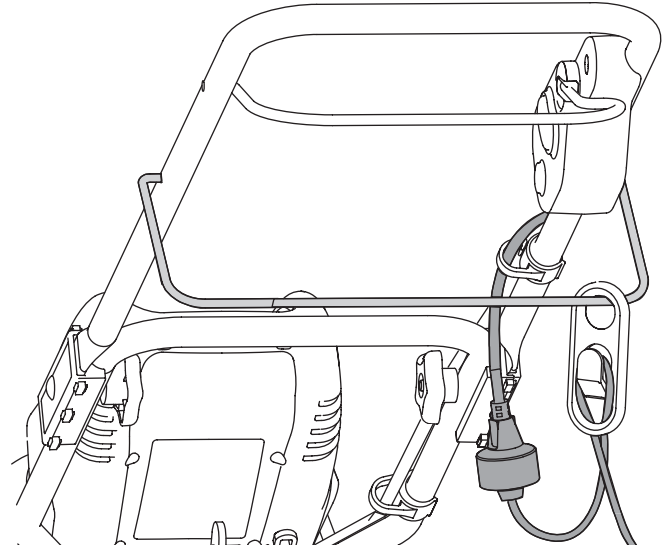


Fig. 5



## STARTING / STOPPING INSTRUCTIONS

### STARTING INSTRUCTIONS



**WARNING:** Avoid accidental starting. Make sure you are in the operating position behind the cultivator when using it. To avoid serious injury, the operator and unit should be in a stable position while starting.

#### Connecting to an Electrical Power Source

**NOTE:** Connect your extension cord to the cultivator as instructed on the previous page prior to plugging your extension cord into an electrical outlet.

1. Plug your extension cord into any convenient (indoor or outdoor) 120-volt, 60-cycle AC grounded outlet or receptacle. Your cultivator will operate satisfactorily on a circuit with a 15 ampere breaker.

**NOTE:** To avoid tripping circuit breakers, select an outlet on a circuit that is not overloaded. Do NOT select an outlet that is on a circuit hosting appliances such as a refrigerator.

2. Stand behind the cultivator, in the operating position.
3. Pivot the cultivator slightly toward the rear, so that its weight is resting on the wheels and the tines are NOT in contact with the ground
4. Depress the (red) starter button and hold it in (Fig. 6, no. 1).

**NOTE:** Starting the cultivator's motor also starts tilling action.

5. While holding the starter button in, pivot the bail upward against the handle (Fig. 6, no. 2) to start the motor and engage the tines.

**NOTE:** The cultivator's motor will NOT start if you fail to hold the starter button in while pivoting the bail upward.

6. Release the (red) starter button and grasp the handle and bail together with both hands (Fig. 7).

#### STOPPING INSTRUCTIONS

1. Release the bail.
2. The starter button will pop out, the bail will pivot downward and the motor will stop.

#### OVERLOAD PROTECTION SWITCH

This cultivator is equipped with an overload protection switch to prevent overheating damage to the motor. If the overload protection switch pops out:

1. Release the bail and do NOT re-start the cultivator for at least one minute, allowing for the electric motor time to cool.
2. Press the overload protection switch inward to reset (Fig. 6, no. 3).

If the overload protection switch pops out shortly after resetting:

1. Release the bail and do NOT re-start the cultivator for at least 15 minutes to allow the electric motor extra time to cool.
2. Press the overload protection switch inward to reset.
3. Restart unit.

**NOTE:** If the overload protection switch pops out repeatedly during operation or will not remain in when attempting to reset, contact your Sears Parts and Repair Center to arrange for repair.

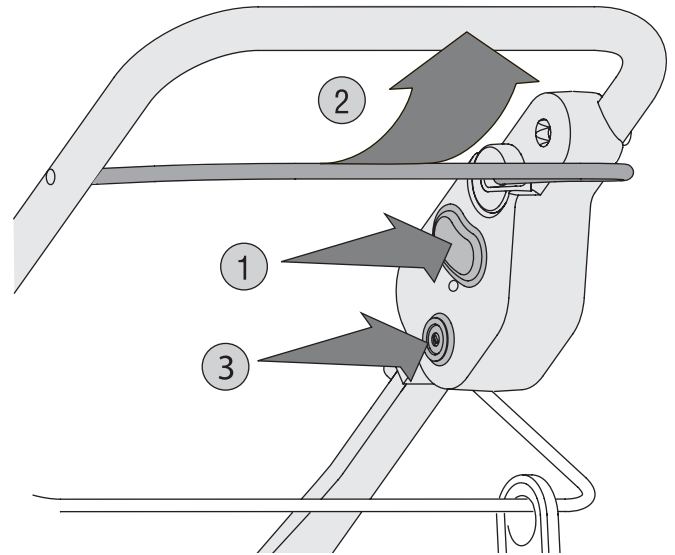


Fig. 6



Fig. 7

## OPERATING INSTRUCTIONS

### ADJUSTING THE WHEEL SUPPORT BRACKET



**WARNING:** Avoid accidental starting. Stop motor and disconnect extension cord prior to adjusting the wheel support bracket.

To adjust the wheel support bracket, proceed as follows:

1. Remove cotter pin from the clevis pin and slide pin out of tailpiece bracket (Fig. 8).

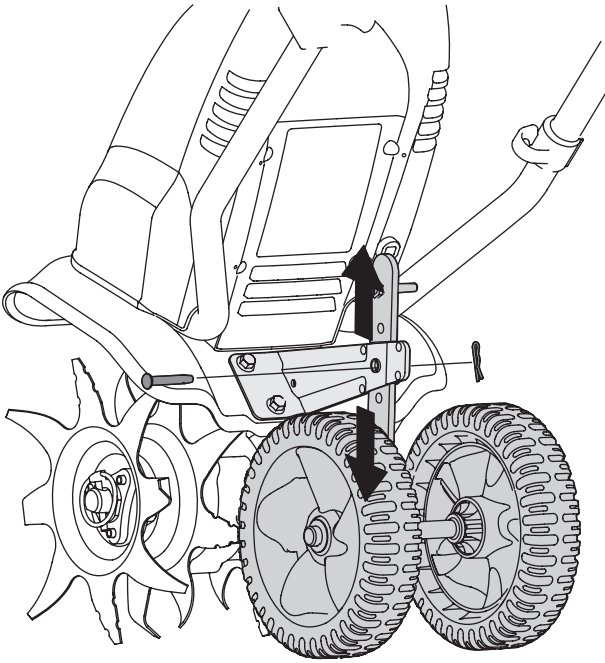


Fig. 8

2. Slide the wheel support bracket up or down in the tailpiece, aligning the holes to the desired height.
3. Place the clevis pin through the hole and secure with a cotter pin.

### USING YOUR CULTIVATOR



**WARNING:** Never pick up or carry the unit while the engine is running. Serious personal injury could result

1. Move the cultivator to the work area prior to starting the motor. Transport the cultivator by pushing or pulling it along on its wheels. Or you may choose to carry the cultivator by its front handle.
2. Start the cultivator following all steps under STARTING INSTRUCTIONS on the previous page.
3. With both hands on the upper handle, slowly pivot the cultivator forward until the tines make contact with the soil.



**WARNING:** Avoid risk of injury. Keep the extension cord clear of the tilling path at all times. Do not allow the tines to contact the extension cord

4. Once the tines are in the ground, cultivate at a moderate pace until you are familiar with the controls and the handling of the cultivator.
- NOTE:** Be aware of the extension cord's location at all times. Never allow the cultivator's tines to come into contact with the extension cord while operating.
5. To adjust the cultivating depth, adjust the wheel support bracket. See Adjusting The Wheel Support Bracket.
- NOTE:** For cultivation, a two to three inch depth is desirable. When laying out plant rows, be sure to allow enough width to permit cultivation between the rows.



## MAINTENANCE AND REPAIR INSTRUCTIONS



**WARNING:** To prevent serious injury, never perform maintenance or repairs with unit running. Always service and repair a cool unit.



**WARNING:** Avoid accidental starting. Stop motor and disconnect extension cord prior to performing any maintenance or repairs.

### REMOVING AND REPLACING TINES

Cultivator tines are subject to wear and should be replaced if any signs of damage are present. Tines should also be removed and cleaned after each use.

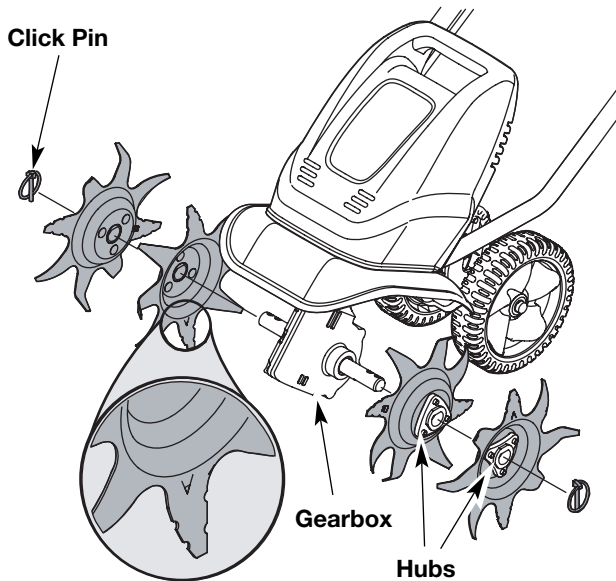


**WARNING:** Cultivator tines are sharp. Always wear leather gloves to protect your hands when handling tines.

#### To replace the cultivator's tines:

1. Remove the click pin found at the end of each tine shaft.

**NOTE:** Each tine assembly is stamped either "A" or "B" (Fig. 9). Note each tine's location on the shaft for easier reassembly.



**WARNING:** Do not wash cultivator with a hose. Avoid getting water on motor and electrical connections.

2. Carefully remove each tine assembly from the tine shafts.
3. Wipe each tine shaft clean with a damp cloth and apply a light coat of oil (i.e. 3-N-One) or silicon-based lubricant to each shaft. Do NOT use WD-40.
4. Rinse each tine assembly with water and thoroughly dry each it before placing on tine shaft.
5. Re-insert each click pin to secure the tine assemblies in place.

#### Tips for Replacing Tines

- Each tine shaft holds one tine assembly stamped "A" and one tine assembly stamped "B".
- The bell sides of both tine assemblies (on each shaft) should face each other (Fig. 9).
- The hub of each tine assembly (Fig. 9) should face outward (away from the cultivator's gearbox).

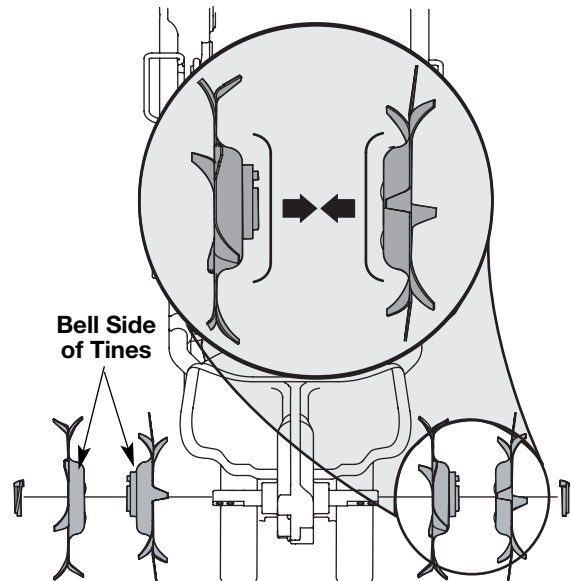


Fig. 13

## TROUBLESHOOTING

### MOTOR WILL NOT START

CAUSE	ACTION
Unit is unplugged	Make sure that extension cord is securely plugged into cultivator's cord outlet receptacle on one end and a 110V outlet on the opposite end.
Starter button or bail improperly used	Press starter button and hold it in while squeezing bail against the handle.
Overload protection switch has popped out	Depress overload protection switch. Follow starting instructions

**NOTE:** For repairs beyond the minor adjustments listed above, contact your nearest Troy-Bilt Parts & Repair center (1-800-520-5520) or other qualified service dealer for an adjustment.

## SPECIFICATIONS

### MOTOR

Engine Type .....	AC 120 Volts Electric
Operating RPM .....	up to 8,000 rpm
Ignition Switch .....	Bail Lock Safety Button
Amperage .....	.6.5 Amps
Overload Protection .....	.120 V 5 amp Breaker

### CULTIVATOR\*

Drive Shaft Tube .....	Steel Tube
Handle .....	Steel Tube
Cultivating Path Width (Maximum) .....	9 inches (22.86 cm)
Cultivating Depth (Maximum) .....	6 inches (15.24 cm)
Approximate Weight (no fuel) .....	27 lb. (12.25 kg)

\* All specifications are based on the latest product information available at the time of printing. We reserve the right to make changes at any time without notice.







# MANUFACTURER'S LIMITED WARRANTY FOR:



The limited warranty set forth below is given by Troy-Bilt LLC ("Troy-Bilt") with respect with new merchandise purchased and used in the United States, its possessions and territories.

Troy-Bilt warrants this product against defects in material and workmanship for a period of two (2) years commencing on the date of original purchase and will, at its option, repair or replace, free of charge, any part found to be defective in material or workmanship. This limited warranty shall only apply if this product has been operated and maintained in accordance with the Operator's Manual furnished with the product, and has not been subject to misuse, abuse, commercial use, neglect, accident, improper maintenance, alteration, vandalism, theft, fire, water or damage because of other peril or natural disaster. Damage resulting from the installation or use of any accessory or attachment not approved by Troy-Bilt for use with the product(s) covered by this manual will void your warranty as to any resulting damage.

This warranty is limited to ninety (90) days from the date of original retail purchase for any Troy-Bilt product that is used for rental or commercial purposes, or any other income-producing purpose.

**HOW TO OBTAIN SERVICE:** Warranty service is available, WITH PROOF OF PURCHASE THROUGH YOUR LOCAL AUTHORIZED SERVICE DEALER. To locate the dealer in your area, please check for a listing in the Yellow Pages or contact the Customer Service Department of Troy-Bilt by calling **1-800-828-5500** or writing to P.O. Box 361131, Cleveland OH 44136-0019 or if in Canada call **1-800-668-1238**. No product returned directly to the factory will be accepted unless prior written permission has been extended by the Customer Service Department of Troy-Bilt.

**This limited warranty does not provide coverage in the following cases:**

- A. Tune-ups - Spark Plugs, Carburetor Adjustments, Filters
- B. Wear items - Bump Knobs, Outer Spools, Cutting Line, Inner Reels, Starter Pulley, Starter Ropes, Drive Belts
- C. Troy-Bilt does not extend any warranty for products sold or exported outside of the United States of America, its possessions and territories, except those sold through Troy-Bilt's authorized channels of export distribution.

Troy-Bilt reserves the right to change or improve the design of any Troy-Bilt product without assuming any obligation to modify any product previously manufactured.

**No implied warranty, including any implied warranty of merchantability or fitness for a particular purpose, applies after the applicable period of express written warranty above as to the parts as identified. No other express warranty or guaranty, whether written or oral, except as mentioned above, given by any person or entity, including a dealer or retailer, with respect to any product shall bind Troy-Bilt. During the period of the Warranty, the exclusive remedy is repair or replacement of the product as set forth above.** (Some states do not allow limitations on how long an implied warranty lasts, so the above limitation may not apply to you.)

**The provisions as set forth in this Warranty provide the sole and exclusive remedy arising from the sales. Troy-Bilt shall not be liable for incidental or consequential loss or damages including, without limitation, expenses incurred for substitute or replacement lawn care services, for transportation or for related expenses, or for rental expenses to temporarily replace a warranted product.** (Some states do not allow limitations on how long an implied warranty lasts, so the above limitation may not apply to you.)

In no event shall recovery of any kind be greater than the amount of the purchase price of the product sold. Alteration of the safety features of the product shall void this Warranty. You assume the risk and liability for loss, damage, or injury to you and your property and/or to others and their property arising out of the use or misuse or inability to use the product.

This limited warranty shall not extend to anyone other than the original purchaser, original lessee or the person for whom it was purchased as a gift.

**How State Law Relates to this Warranty:** This warranty gives you specific legal rights, and you may also have other rights which vary from state to state.

To locate your nearest service dealer dial **1-800-828-5500** in the United States or **1-800-668-1238** in Canada.

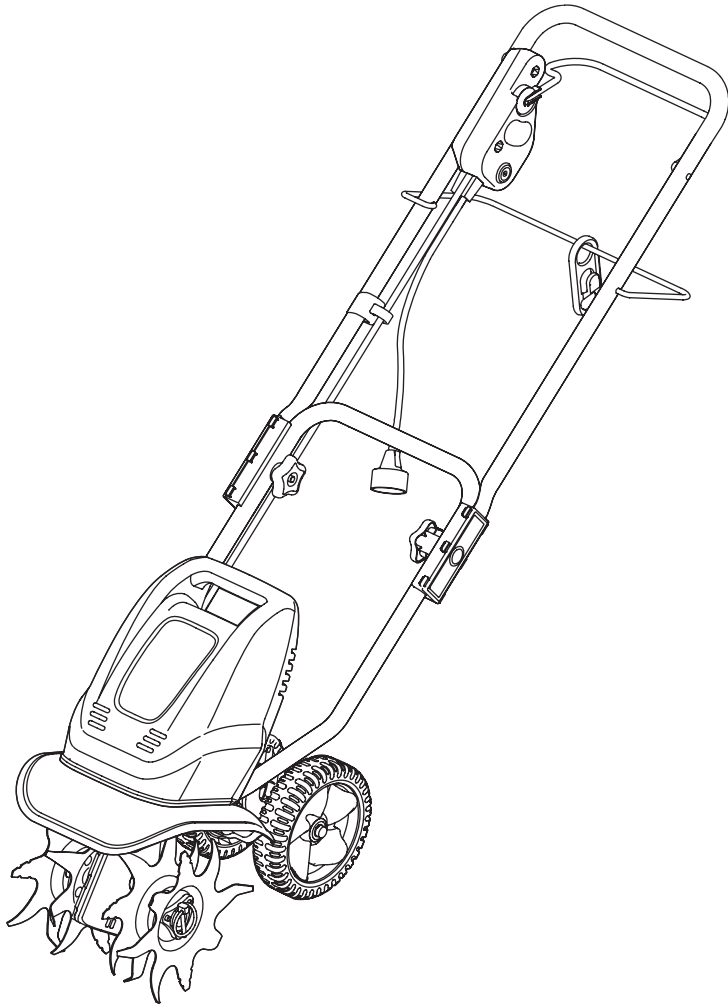
## Troy-Bilt LLC

P.O. Box 361131  
Cleveland, OH 44136-0019





# Manual del Operador



## Cultivadora Eléctrica TB154

### CONSERVE ESTAS INSTRUCCIONES

#### INDICE DE CONTENIDOS

Llamadas a apoyo al cliente .....	E1
Normas para una operación segura .....	E2
Conozca su unidad .....	E4
Instrucciones de ensamble .....	E5
Instrucciones de arranque y apagado .....	E7
Instrucciones de operación .....	E8
Instrucciones de mantenimiento y reparación .....	E9
Cuadro de solución de problemas .....	E10
Especificaciones .....	E10
Lista de Piezas .....	E12-E13
Garantía .....	E14

Llame **1-800-828-5500** en EE.UU. o al **1-800-668-1238** en Canada para obtener una lista de distribuidores de servicio localizados cerca de usted. Para obtener más detalles sobre su unidad, visite nuestro sitio en [www.troybilt.com](http://www.troybilt.com).

**NO REGRESE SU UNIDAD AL VENDEDOR. PARA SOLICITAR SERVICIO POR LA GARANTIA, DEBERA PRESENTAR PRUEBA DE SU COMPRA.**

ESTE PRODUCTO ESTA CUBIERTO POR UNA O MAS PATENTES DE EE.UU., OTRAS PATENTES EN TRAMITE.

El servicio de esta unidad, ya sea durante o después del período cubierto por la garantía, debe ser realizado solamente por un proveedor de servicios autorizado y aprobado.

Toda la información, las ilustraciones y las especificaciones contenidas en este manual se basan en la información más reciente disponible en el momento de impresión del manual. Nos reservamos el derecho de hacer cambios en cualquier momento sin aviso previo.


Copyright© 2006 MTD SOUTHWEST INC. Todos los derechos reservados.



**ADVERTENCIA:** Al utilizar la unidad, debe observar las reglas de seguridad. Lea estas instrucciones antes de operar la unidad a fin de garantizar la seguridad del operador y cualquier transeúnte. Guarde estas instrucciones para uso posterior.


## NORMAS PARA UNA OPERACIÓN SEGURA

### • IMPORTANT SAFETY INSTRUCTIONS •



**ADVERTENCIA:** Al utilizar dispositivos de jardinería eléctricos, deben cumplirse siempre precauciones de seguridad básicas para reducir el riesgo de incendios, descargas eléctricas y lesiones personales, incluyendo las siguientes:

#### CAPACITACIÓN




**ADVERTENCIA:** Al utilizar la unidad, deben cumplirse las reglas de seguridad. Por favor, lea estas instrucciones antes de utilizar la unidad para garantizar la seguridad del operador y de cualquier transeúnte. Por favor, guarde estas instrucciones para su uso posterior.

- Lea, entienda y cumpla todas las instrucciones incluidas en la máquina y en los manuales antes de montarla y utilizarla. Familiarícese completamente con los controles y con el uso apropiado de la cultivadora. Guarde este manual en un lugar seguro para consultas futuras y regulares, así como para solicitar repuestos.
- Familiarícese con todos los controles y su funcionamiento apropiado. Sepa cómo detener la máquina y cómo desengranar los dientes rápidamente.
- No permita nunca que los niños menores de 14 años utilicen esta máquina. Los niños de 14 años y más mayores deben leer y comprender las instrucciones de funcionamiento y las reglas de seguridad contenidas en este manual, y también deben ser capacitados y estar supervisados por uno de los padres.
- Nunca permita que los adultos utilicen esta máquina sin recibir antes la instrucción apropiada.
- Mantenga a los transeúntes, ayudantes, mascotas y niños al menos a 50 pies (15,2 m) de la máquina mientras está funcionando. Detenga la máquina si alguien entra en la zona.

#### PREPARACIÓN

- Inspeccione minuciosamente el área donde utilizará el equipo. Quite las piedras, palos, alambres y otros objetos extraños con los que pueda tropezar y provocar lesiones personales.




**ADVERTENCIA:** Para reducir el riesgo de descargas eléctricas utilice únicamente prolongador clasificado por UL adecuado para uso en exteriores, como por ejemplo tipo SW-A, SOW-A, STW-A, STOW-A, SJW-A, SJOW-A, SJTW-A, o SJTOW-A.

- Prolongador—Asegúrese de que su prolongador instalado está en buen estado y tiene suficiente resistencia para transportar la corriente que consumirá su cultivadora. Si tiene dudas, utilice el cable con el siguiente calibre más resistente. Cuanto menor es el número de calibre, más resistente es el cable. Un cable de tamaño insuficiente provocará una caída en el voltaje de la línea que causará pérdida de alimentación y sobrecalentamiento. Para reducir la posibilidad de desconexión del prolongador instalado desde la cultivadora, asegúrese de utilizar el limitador de cable suministrado.

TAMAÑO DE CABLE MÍNIMO DE PROLONGADOR PARA DISPOSITIVOS DE 120 V QUE UTILIZAN 6-10 AMP				
Longitud del cable (pies)	25	50	100	150
Tamaño del (AWG)	18	16	14	12

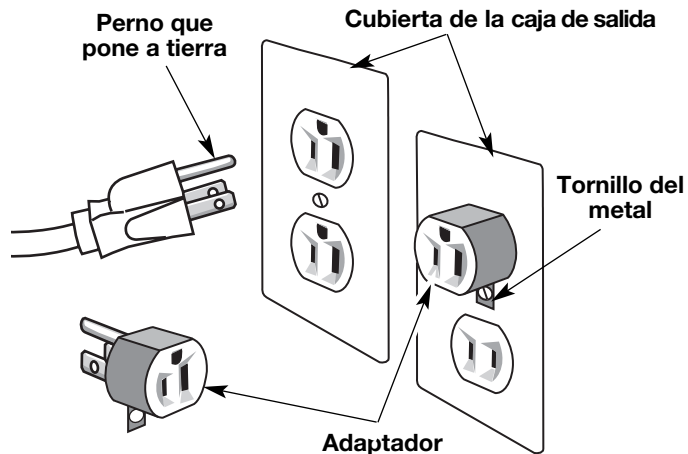
- Si el prolongador se daña de cualquier forma mientras está enchufado, desconecte dicho prolongador del receptáculo de su hogar.



**ADVERTENCIA:** No cambie el enchufe de la cultivadora de ningún modo.

- Inspeccione el cable de la cultivadora de una manera periódica y, en caso de que presente algún tipo de daño, llévelo a un centro de servicio técnico autorizado para su reparación. Inspeccione el

- prolongador de manera periódica y reemplácelo si está dañado.
- Utilice vestimenta apropiada. Utilice zapatos de trabajo resistentes, de suela fuerte, así como pantalones y camisas ajustados. Las prendas sueltas o las alhajas pueden quedar atrapadas en las piezas móviles. Nunca utilice la máquina descalzo o con sandalias. Se recomienda usar guantes de goma para trabajos en exteriores. Utilice un accesorio de protección para el cabello con el fin de sujetar el cabello largo.
- Use lentes o anteojos de seguridad al utilizar la unidad. Utilice una mascarilla antipolvo si la máquina levanta polvo durante su funcionamiento. Dicho equipo de protección está disponible a través de su distribuidor o vendedor de servicio técnico autorizado.
- Utilice la herramienta apropiada. No utilice la cultivadora para ningún trabajo para el cual no está diseñada.



- Instrucciones de conexión a tierra—La cultivadora debe conectarse a tierra para reducir el riesgo de que el operador sufra descargas eléctricas. La cultivadora cuenta con un cable de tres conductores y un enchufe de conexión a tierra de tres espigas para adaptarse al receptáculo de conexión a tierra adecuado. El conductor de cable verde (o verde y amarillo) del cable es el cable de conexión a tierra. No conecte nunca el cable verde (o verde y amarillo) a un terminal con tensión. Su cultivadora cuenta con un enchufe como el que se muestra en la Fig. A. Se encuentra disponible un adaptador, que aparece en la Fig. C, para conectar los enchufes mostrados en la Fig. B a receptáculos de dos espigas. La espiga, lengüeta o similar rígidas de color verde, se deben conectar a una conexión a tierra permanente, como por ejemplo una caja de salida con la adecuada conexión a tierra.
- Utilice únicamente prolongadores para exteriores de tres cables que cuenten con enchufes de conexión a tierra de tres espigas y receptáculos de conexión a tierra que acepten el enchufe de la cultivadora.
- Mantenga la manija seca, limpia, y sin aceite ni grasa.
- Fusibles—La cultivadora se debe utilizar en un circuito de 15 ó 20 AMP. Si se experimentan dificultades al arrancar con un fusible o disyuntor de 15 AMP estándar, o si el interruptor de protección contra sobrecarga incorporado se dispara con frecuencia, póngase en contacto con su centro de servicio técnico autorizado más cercano. No utilice un fusible con mayor potencia nominal sin consultar antes con su compañía eléctrica.
- Es necesario proveer protección de Interruptor de Circuito de Fallas de Tierra (GFCI) en los circuitos o salidas que se usarán para la cultivadora. Existen receptáculos disponibles que cuentan con protección GFCI incorporada y se pueden utilizar para esta medida de seguridad.
- No intente nunca realizar ningún ajuste mientras el motor está en funcionamiento.

#### FUNCIONAMIENTO

- Evite los entornos peligrosos. No utilice la cultivadora en lugares húmedos o mojados.
- No utilice la cultivadora si llueve.
- No utilice la cultivadora en pendientes excesivamente pronunciadas.

## NORMAS PARA UNA OPERACIÓN SEGURA

- Evite arranques no intencionados. No arrastre la cultivadora enchufada con sus manos/dedos situados en los controles de arranque del motor.
- No dañe el cable. Nunca tire o arrastre de la cultivadora por el cable ni tire del mismo para desconectarlo del receptáculo. Mantenga el cable protegido de calor, aceite y bordes afilados.
- Si el prolongador se daña de cualquier forma mientras está enchufado, desconecte dicho prolongador del receptáculo de su hogar.
- No coloque las manos ni los pies cerca de las piezas rotativas. El contacto con piezas rotativas puede amputar dedos, manos y pies.
- No utilice la máquina bajo la influencia del alcohol o las drogas.
- Utilice la cultivadora únicamente con luz de día o con una buena luz artificial. No se extienda demasiado. Mantenga un buen equilibrio y sujete la manija firmemente en todo momento.
- Manténgase alerta. Observe lo que está haciendo. Utilice el sentido común. No utilice la cultivadora si está cansado.
- No fuerce la cultivadora. Si se usa a la velocidad para la cual fue diseñada, realizará un trabajo mejor con menos posibilidades de lesiones.
- Mantenga a los transeúntes, ayudantes, mascotas y niños al menos a 50 pies (15,2 m) de la máquina mientras está funcionando. Detenga la máquina si alguien entra en la zona.
- Sea cuidadoso cuando cultive en terreno sólido. Los dientes pueden clavarse en la tierra y propulsar la cultivadora hacia delante. Si esto ocurre, suelte la manija y no retenga la máquina.
- Nunca utilice la máquina a altas velocidades de desplazamiento en superficies duras o resbaladizas.
- Tenga cuidado para evitar resbalar o caerse.
- Mire hacia abajo y hacia atrás, y tenga cuidado cuando tire de la máquina hacia usted.
- Arranque el motor de acuerdo con las instrucciones de este manual y mantenga los pies alejados de los dientes en todo momento.
- Si golpea un objeto extraño, detenga el motor y desconecte el cable de alimentación para evitar un arranque accidental. Inspeccione minuciosamente para ver si la máquina está dañada. Repare el daño antes de arrancar y utilizar la máquina.
- Detenga el motor, desconecte el cable de alimentación para evitar un arranque accidental y espere hasta que los dientes se detengan por completo antes de destrabarlos, hacer algún ajuste o inspeccionar.
- Tenga cuidado cuando cultive cerca de vallas, edificios y servicios subterráneos. Los dientes giratorios pueden causar daños materiales o lesiones personales.
- No sobrecargue la capacidad de la máquina intentando cultivar el piso a un nivel demasiado profundo o a un ritmo demasiado rápido.
- Si la máquina arranca haciendo un sonido o una vibración extraños, detenga el motor y desconecte el cable de alimentación para evitar un arranque accidental. Inspeccione la máquina minuciosamente para ver si está dañada. Repare todos los daños antes de arrancar el motor y utilizar la máquina.
- Mantenga todas las pantallas, protectores y dispositivos de seguridad en su lugar y en correcto funcionamiento.

- Para evitar riesgos de descargas eléctricas, nunca empuje o tire de la cultivadora mediante el cable eléctrico mientras está en uso.
- Cuando levante la cultivadora, utilice la manija provista. No sostenga por los dientes al levantar o sujetar la cultivadora. Nunca levante ni transporte la máquina cuando el motor está encendido.
- Use sólo dispositivos de sujeción o accesorios aprobados por el fabricante de la cultivadora. Si no lo hace, pueden producirse lesiones personales y daños a la cultivadora.
- Si se presentan situaciones que no están previstas en este manual, sea cuidadoso y use el sentido común..

### MANTENIMIENTO Y ALMACENAMIENTO

- Nunca manipule los dispositivos de seguridad de manera imprudente. Controle periódicamente que funcionen de forma adecuada.
- Controle frecuentemente que todos los pernos y tornillos estén bien ajustados para comprobar que la máquina se encuentra en condiciones seguras de funcionamiento. Asimismo, realice una inspección visual de la máquina para controlar si la misma está dañada.
- Antes de dejar el equipo, cambiar la anchura de los dientes, limpiar, reparar, realizar ajustes y operaciones similares, detenga el motor, desconecte el cable de alimentación para evitar un arranque accidental, y asegúrese de que los dientes y todas las piezas móviles se hayan detenido.
- No lave la cultivadora con una manguera. Evite que el agua entre en contacto con el motor y las conexiones eléctricas.
- Mantenga o reemplace las etiquetas de seguridad e



**ADVERTENCIA:** Esta máquina eléctrica sólo pueden usarla las personas que lean, comprendan y respeten las advertencias y las instrucciones que aparecen en este manual y en la máquina.

- instrucciones según sea necesario.
- Siga las instrucciones de este manual para cargar, descargar, transportar y almacenar de manera segura esta máquina.
  - Consulte siempre el manual de funcionamiento para conocer las instrucciones adecuadas para el almacenamiento fuera de temporada. Cuando no esté en uso, la cultivadora debe almacenarse en un lugar seco y alto, o bajo llave, fuera del alcance de los niños.
  - Mantenga la cultivadora con cuidado. Siga las instrucciones para lubricar y limpiar.
  - Verifique si hay piezas dañadas. Antes de seguir utilizando la cultivadora, controle con mucho cuidado la protección o cualquier otra pieza que esté dañada para determinar si funcionará correctamente y realizará la función para la cual fue diseñada. Controle la alineación de las piezas móviles, el agarrotamiento de las piezas móviles, la rotura de piezas, el montaje y cualquier otra condición que pueda afectar al funcionamiento. Una protección u otra parte que esté dañada debe ser reparada o reemplazada de manera adecuada por un centro de servicio técnico autorizado.

## CONSERVE ESTAS INSTRUCCIONES

### SÍMBOLOS DE SEGURIDAD E INTERNACIONALES

Este manual del operador describe símbolos de seguridad e internacionales, así como pictogramas, que pueden aparecer en este producto. Lea el manual del operador para obtener información completa sobre seguridad, montaje, funcionamiento, mantenimiento y reparaciones.

#### SÍMBOLO

#### SIGNIFICADO



- **SÍMBOLO DE ALERTA DE SEGURIDAD**  
Indica peligro, advertencia o precaución. Puede utilizarse junto con otros símbolos o imágenes.



- **ADVERTENCIA - LEA EL MANUAL DEL OPERADOR**  
Lea todos los manuales del operador y cumpla todas las advertencias e instrucciones de seguridad. Si no lo hace, se pueden provocar lesiones personales al operador o a los transeúntes.

#### SÍMBOLO

#### SIGNIFICADO

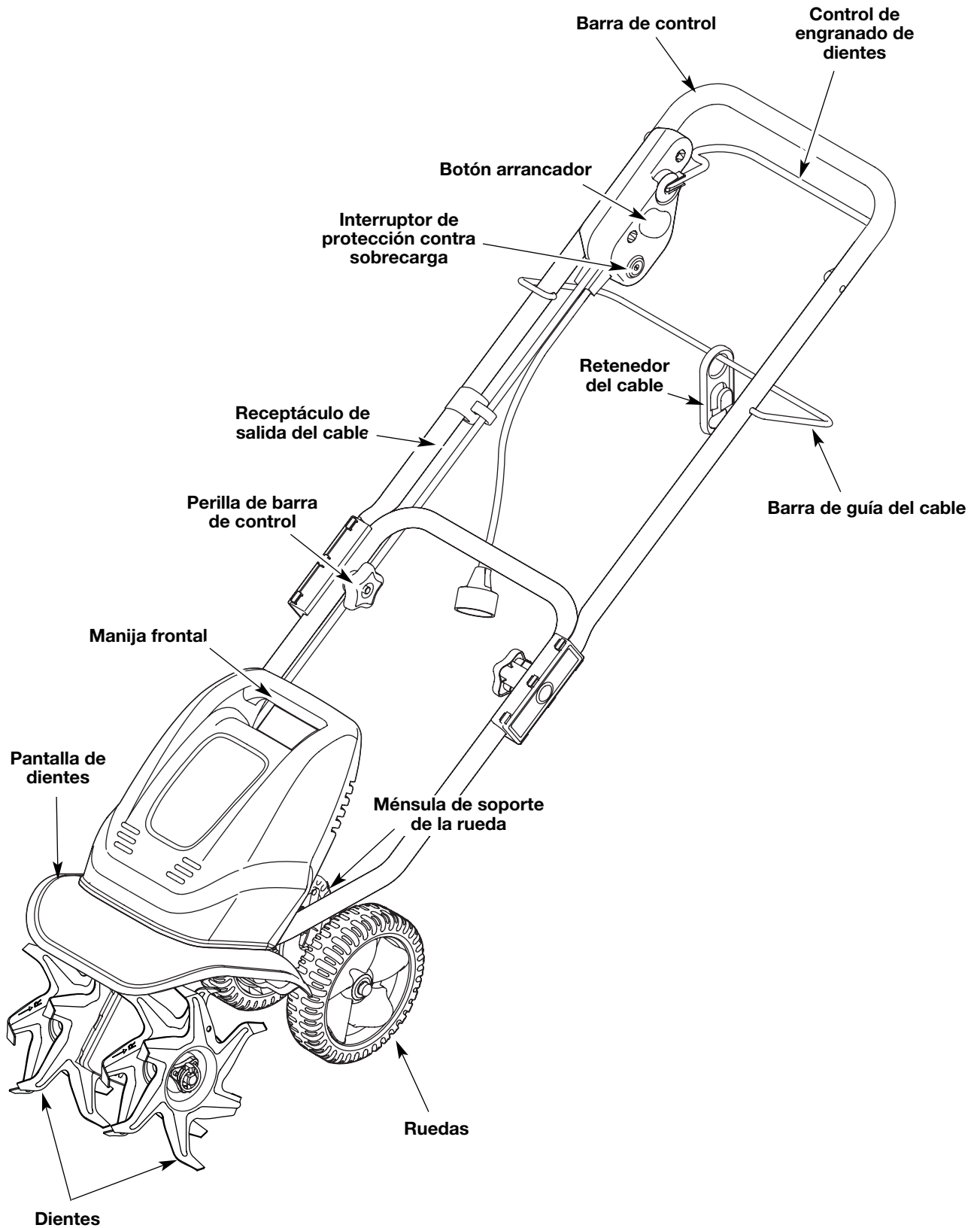


- **LOS DIENTES GIRATORIOS DE LAS CULTIVADORAS PARA JARDÍN PUEDEN PROVOCAR LESIONES GRAVES**  
**ADVERTENCIA:** Detenga el motor, desenchufe el prolongador y deje que los dientes se detengan antes de retirar los mismos, o antes de limpiar y realizar cualquier tarea de mantenimiento. Mantenga los pies y las manos alejados de los dientes giratorios

## CONOZCA SU UNIDAD

### APLICACION

- Cultivar tierra herbosa y tierra negra ligera a mediana.
- Cultivar áreas de jardines, alrededor de árboles, etc.



## INSTRUCCIONES DE ENSAMBLE

### ENSAMBLAJE DE LAS MANIJAS



**ADVERTENCIA:** Para evitar lesiones personales graves, no conecte prolongadores eléctricos a la unidad hasta terminar por completo el montaje de la cultivadora

Antes de que pueda operar la unidad, debe instalar las manijas.

1. Cuando desempaquete la unidad, sostenga la manija en la posición que se indica en la Figura 1 y deslícela hacia las barras inferiores.
2. Alinee los orificios de la manija con los orificios de las barras inferiores e inserte los pernos a través de dichos orificios.
3. Mantenga la manija en su lugar mientras atornilla las perillas a los pernos.
4. Apriete las perillas para fijar las manijas en su lugar.

**NOTA:** No apriete demasiado las perillas.

5. Verifique que el asa esté montada en el conjunto del interruptor (Fig. 1, A).

**NOTA:** Tenga cuidado en no comprimir el cable del interruptor al colocar en posición las manijas.

6. Fije el cable del interruptor al retenedor de cable, en la barra inferior, como se indica en la inserción de la Figura 1, B.

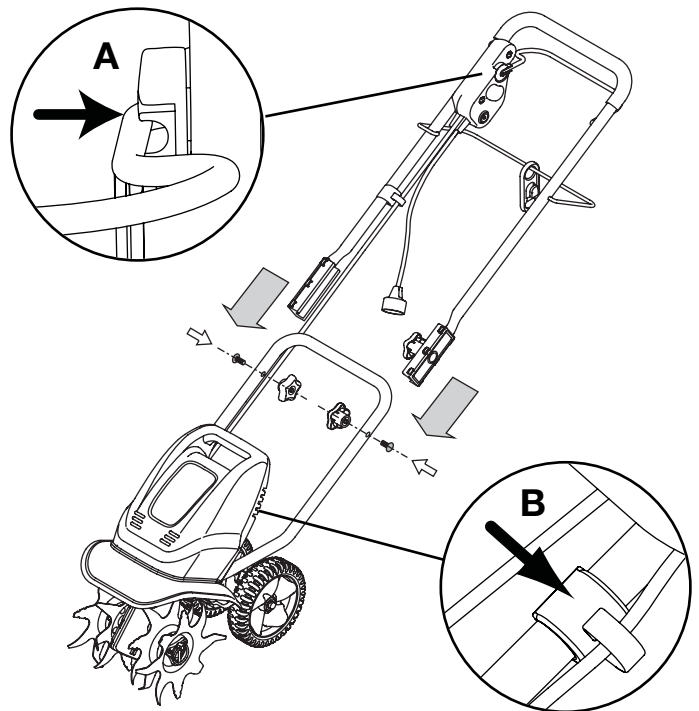


Fig. 1

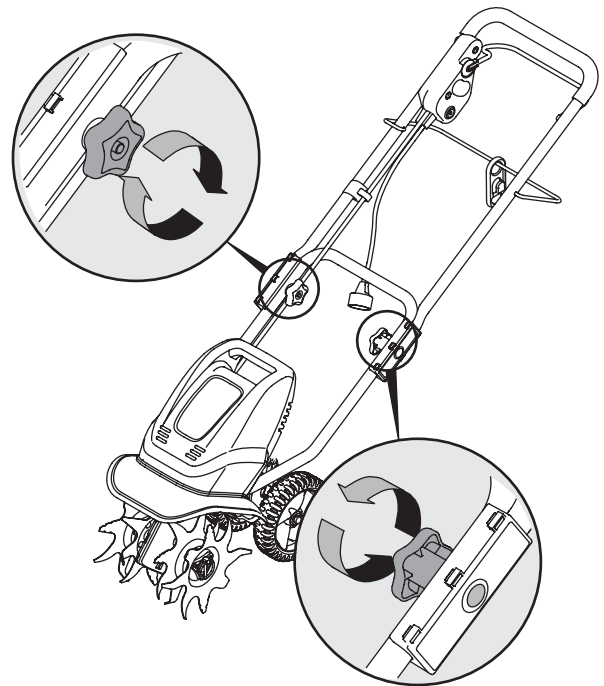


Fig. 2



### Uso del retenedor del cable

En la barra de guía del cable situada en la manija superior se haya suspendido un retenedor del prolongador.

**NOTA:** No enchufe el prolongador al receptáculo de la fuente de alimentación (salida) antes de dirirlo a través del retenedor del cable y conectar el prolongador al receptáculo de salida del cable de la cultivadora.

Para dirigir de forma adecuada su prolongador a través del retenedor del cable:

1. Aproximadamente a ocho pulgadas de su extremo, doble el prolongador para formar un lazo ajustado.
2. Empuje dicho lazo a través del orificio inferior del retenedor del cable (Fig. 3).

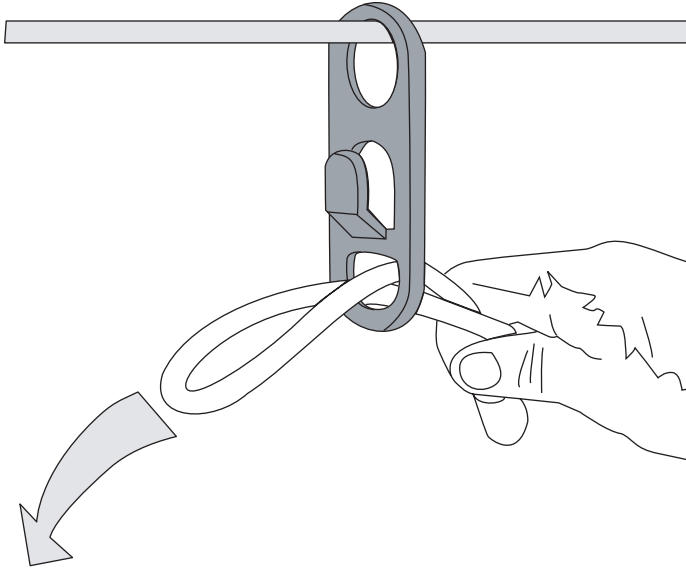


Fig. 3

3. Posicione el lazo sobre el broche que hay en el retenedor del cable y estire hacia abajo hasta que el cable encaje cómodamente en el broche (Fig. 4).

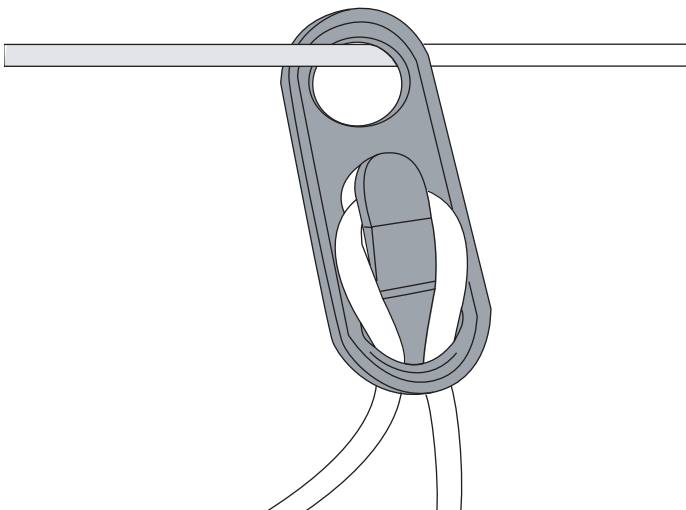


Fig. 4

**NOTA:** Utilice un prolongador aprobado por UL. Se recomienda un cable de calibre 14 y 100 pies. Es aceptable un cable de calibre 16 y 50 pies. Consulte la pequeña tabla que aparece en la página 3.

El retenedor del cable y la barra de guía colaboran para asegurar su prolongador y limitar de forma segura su movimiento.

El retenedor del cable (junto con el prolongador) se desliza a lo largo de la barra de guía a medida que la cultivadora se mueve hacia la izquierda o la derecha (Fig. 5).

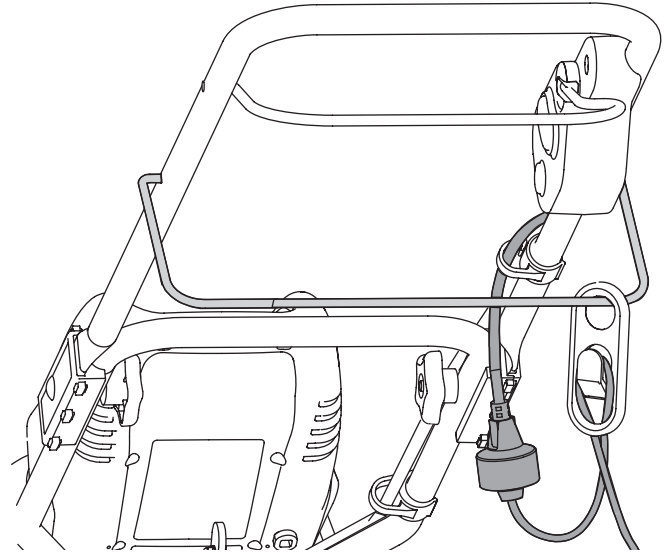


Fig. 5



## INSTRUCCIONES DE ARRANQUE Y APAGADO

### INSTRUCCIONES DE ARRANQUE



**ADVERTENCIA:** Evite arranques accidentales. Asegúrese de que está en posición de funcionamiento detrás de la cultivadora cuando la utilice. Para evitar lesiones graves, tanto el operador como la unidad deben estar en una posición estable durante el arranque.

#### Conexión a una fuente de alimentación eléctrica

**NOTA:** Conecte el prolongador a la cultivadora tal y como se indica en la página anterior antes de enchufar el prolongador a una salida eléctrica.

1. Enchufe el prolongador a cualquier salida conveniente (interior o exterior) conectada a tierra de 120 volt. y 60 ciclos CA. Su cultivadora funcionará de forma satisfactoria en un circuito con un disyuntor de 15 amperios.

**NOTA:** Para evitar que se disparen los disyuntores del circuito, seleccione una salida en un circuito que no esté sobrecargado. NO seleccione una salida que esté en un circuito que albergue dispositivos como un refrigerador.

2. Permanezca detrás de la cultivadora, en posición de funcionamiento.
3. Haga pivotar la cultivadora ligeramente hacia atrás, de manera que su peso se apoye sobre las ruedas y los dientes, y NO entre en contacto con el piso.
4. Oprima el botón arrancador (rojo) y manténgalo oprimido (Fig. 6). **NOTA:** Al arrancar el motor de la cultivadora también se inicia la acción de cultivar.

**NOTA:** Arrancar el motor del cultivador también inicia la acción de cultivo.

5. Mientras mantiene oprimido el botón arrancador, haga pivotar el gancho hacia arriba contra la manija (Fig. 6, no. 2) para arrancar el motor y engranar los dientes.

**NOTA:** El motor de la cultivadora NO arrancará si no se mantiene oprimido el botón arrancador mientras se pivota el gancho hacia arriba.

6. Suelte el botón arrancador (rojo), y tome a la vez la manija y el gancho con ambas manos (Fig. 7).

#### INSTRUCCIONES DE APAGADO

1. Suelte el gancho.
2. El botón del arrancador se soltará, el gancho pivotará hacia abajo y el motor se detendrá.

#### INTERRUPTOR DE PROTECCIÓN CONTRA SOBRECARGA

Este cultivador está equipado con un interruptor de protección de sobrecarga para evitar que se dañe el motor debido a recalentamiento. Si el interruptor de protección de sobrecarga se dispara:

1. Suelte el gancho y NO vuelva a arrancar la cultivadora durante al menos un minuto, dando tiempo al motor eléctrico para que se enfríe.
2. Oprima el interruptor de protección contra sobrecarga para restablecer (Fig. 6, no. 3).

Si la protección contra sobrecarga se activa poco después de restablecer:

1. Suelte el gancho y NO reinicie la cultivadora durante al menos 15 minutos para dar un tiempo extra al motor eléctrico para que se enfríe.
2. Oprima el interruptor de protección contra sobrecarga para restablecer.
3. Vuelva a arrancar la unidad.

**NOTA:** Si el interruptor de protección de sobrecarga se dispara repetidamente durante el funcionamiento o no se mantiene oprimido al tratar de restablecer el motor, comuníquese con el Centro de Piezas de Repuesto y Reparaciones de Sears para que lo reparen.

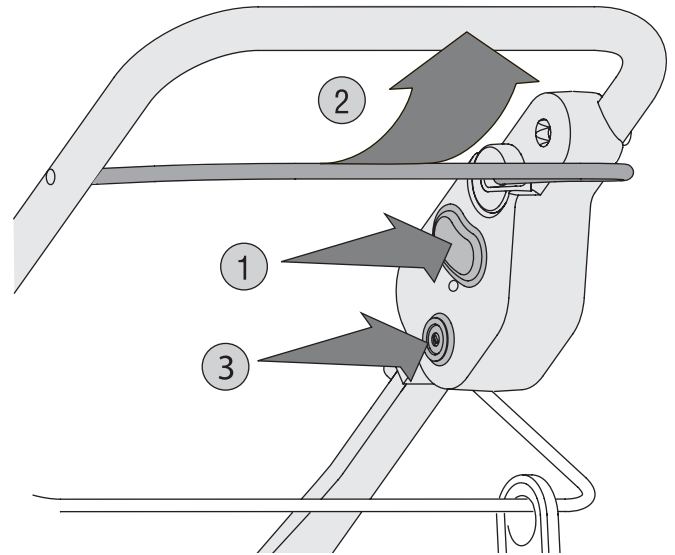


Fig. 6



Fig. 7

## INSTRUCCIONES DE OPERACIÓN

### AJUSTE DE LA MÉNSULA DE SOPORTE DE LA RUEDA



**ADVERTENCIA:** Evite arranques accidentales. Detenga el motor y desconecte el prolongador antes de ajustar la ménsula de soporte de las ruedas.

Para ajustar la ménsula de soporte de la rueda proceda de la siguiente manera:

1. Extraiga la chaveta de retén de la chaveta de horquilla y deslice la chaveta hasta extraerla de la ménsula de la pieza posterior (Fig. 8).

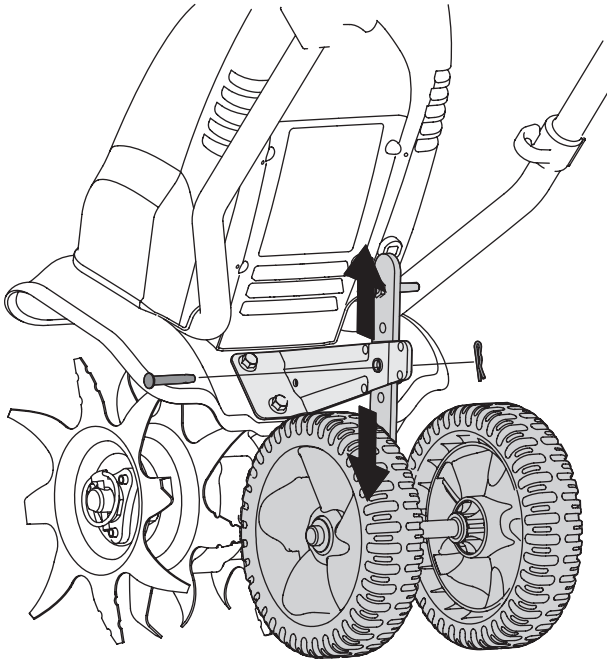


Fig. 8

2. Deslice la ménsula de soporte de la rueda hacia arriba o hacia abajo en la pieza posterior, alineando los orificios a la altura deseada.
3. Sitúe la chaveta de la horquilla a través del orificio y asegúrelo con una chaveta de retén.

### USO DE SU CULTIVADORA



**ADVERTENCIA:** Nunca levante ni transporte la máquina cuando el motor esté en funcionamiento. Se podrían producir lesiones personales graves.

1. Mueva la cultivadora al área de trabajo antes de arrancar el motor. Transporte la cultivadora empujando o tirando de ella por sus ruedas. O puede mover la cultivadora mediante su manija frontal.
2. Arranque la cultivadora siguiendo todos los pasos que aparecen en INSTRUCCIONES DE ARRANQUE en la página anterior.
3. Con ambas manos en la manija superior, pivote lentamente la cultivadora hacia delante hasta que los dientes hagan contacto con el piso.



**WARNING:** Evite el riesgo de lesiones. Mantenga el prolongador separado de la ruta de cultivo en todo momento. No permita que los dientes entren en contacto con el prolongador

4. Una vez que los dientes estén en tierra, cultive a un paso moderado hasta que se haya familiarizado con los controles y el manejo de la cultivadora.
- NOTA:** Esté atento a la ubicación del prolongador en todo momento. No deje que los dientes de la cultivadora entren en contacto con el prolongador durante el funcionamiento.
5. Para ajustar la profundidad de cultivo, ajuste la ménsula de soporte de la rueda. Consulte la sección "Ajuste de la ménsula de soporte de la rueda".
- NOTE:** Se recomienda una profundidad de dos a tres pulgadas (50,8 - 76,2 mm) para el cultivo. Cuando trace las hileras de plantas, asegúrese de dejar un ancho suficiente para el cultivo entre dichas hileras.

## INSTRUCCIONES DE OPERACIÓN



**ADVERTENCIA:** Para evitar lesiones graves, nunca realice el mantenimiento ni las reparaciones con la unidad en funcionamiento. Realice dichas tareas siempre con la unidad fría.



**ADVERTENCIA:** Evite arranques accidentales. Detenga el motor y desconecte el prolongador antes de realizar tareas de mantenimiento o reparaciones.

### EXTRACCIÓN Y REEMPLAZO DE LOS DIENTES

Todos los dientes de su cultivadora están sujetos a desgaste, y se deben reemplazar cuando presenten signos de daño. Los dientes también se deben retirar para limpiarlos tras cada uso.



**ADVERTENCIA:** Dientes de la cultivadora son muy afilados. Utilice siempre guantes de cuero para proteger sus manos cuando manipule los dientes.

#### Para reemplazar los dientes de la cultivadora:

1. Retire la chaveta de trinquete de cada extremo del árbol de dientes.

**NOTE:** Cada montaje de dientes está estampado con "A" o "B" (Fig. 9). Tome nota de la ubicación de cada diente en el eje para facilitar su montaje de nuevo.



**ADVERTENCIA:** nunca realice el mantenimiento ni con una manguera. Evite que el agua entre en las reparaciones con la unidad en contacto con el motor y las conexiones funcionamiento. Realice dichas tareas eléctricas

2. Retire con cuidado cada montaje de dientes de los ejes de dientes.
3. Limpie cada eje de dientes con un trapo húmedo y aplique a cada eje una capa ligera de aceite (por ejemplo, 3-N-One) o lubricante a base de silicona. NO use WD-40.
4. Enjuague cada montaje de dientes con agua y seque completamente cada uno de ellos antes de volver a ubicarlo en el eje de dientes.
5. Vuelva a insertar cada chaveta de trinquete para asegurar los montajes de dientes en su lugar.

#### Consejos para volver a ubicar los dientes

- Cada eje de dientes sostiene un montaje de dientes estampado con "A" y un montaje de dientes estampado con "B".
- Los extremos de campana en cada uno de los montajes (en cada eje) deben estar uno frente a otro (Fig. 9).
- El buje de cada montaje de dientes (Fig. 9) debe estar orientado hacia afuera (lejos de la caja de engranajes de la cultivadora).

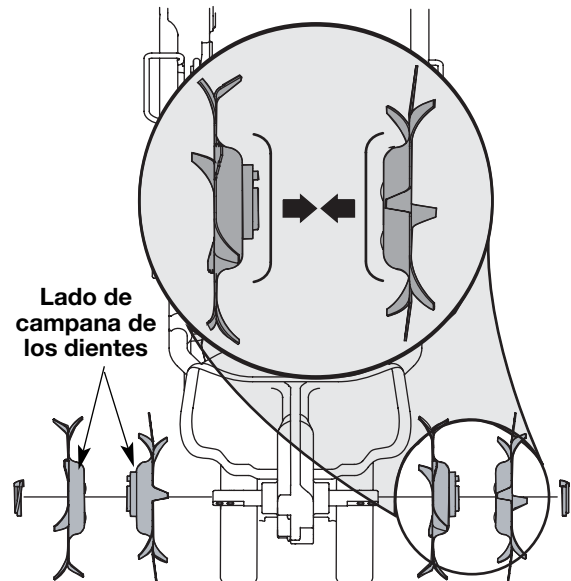
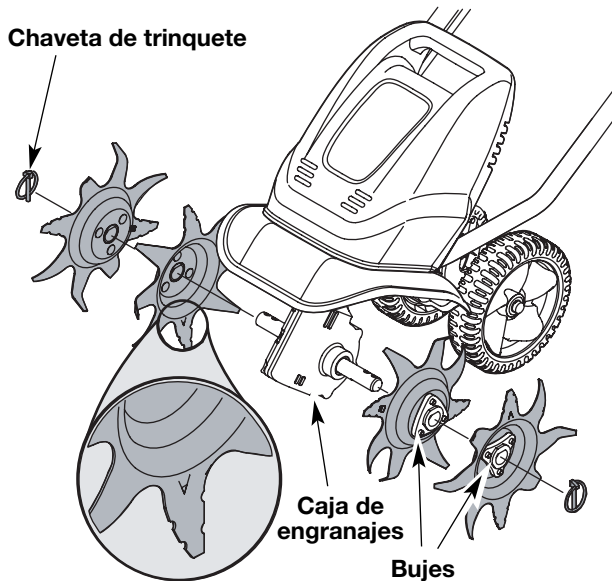


Fig. 9

## RESOLUCIÓN DE PROBLEMAS

### EL MOTOR NO ARRANCA

CAUSA	ACCION
La unidad está desenchufada	Asegúrese de que el prolongador está enchufado de iforma segura en el receptáculo de salida del cable de la cultivadora en un extremo, y en una salida de 120V. en el extremo contrario.
Botón arrancador o gancho mal usados	Oprima el botón arrancador y manténgalo oprimido mientras presiona el gancho contra la manija.
El interruptor de protección contra sobrecarga	Oprima el interruptor de protección contra se ha disparado sobrecarga. Siga las instrucciones de arranque.

**NOTA:** Para reparaciones mayores que no estén enumeradas anteriormente, póngase en contacto con su centro de partes y reparaciones Troy-Bilt más cercano (al 1-800-828-5500) o con otro centro de servicio técnico calificado para un ajuste.

## ESPECIFICACIONES

### MOTOR\*

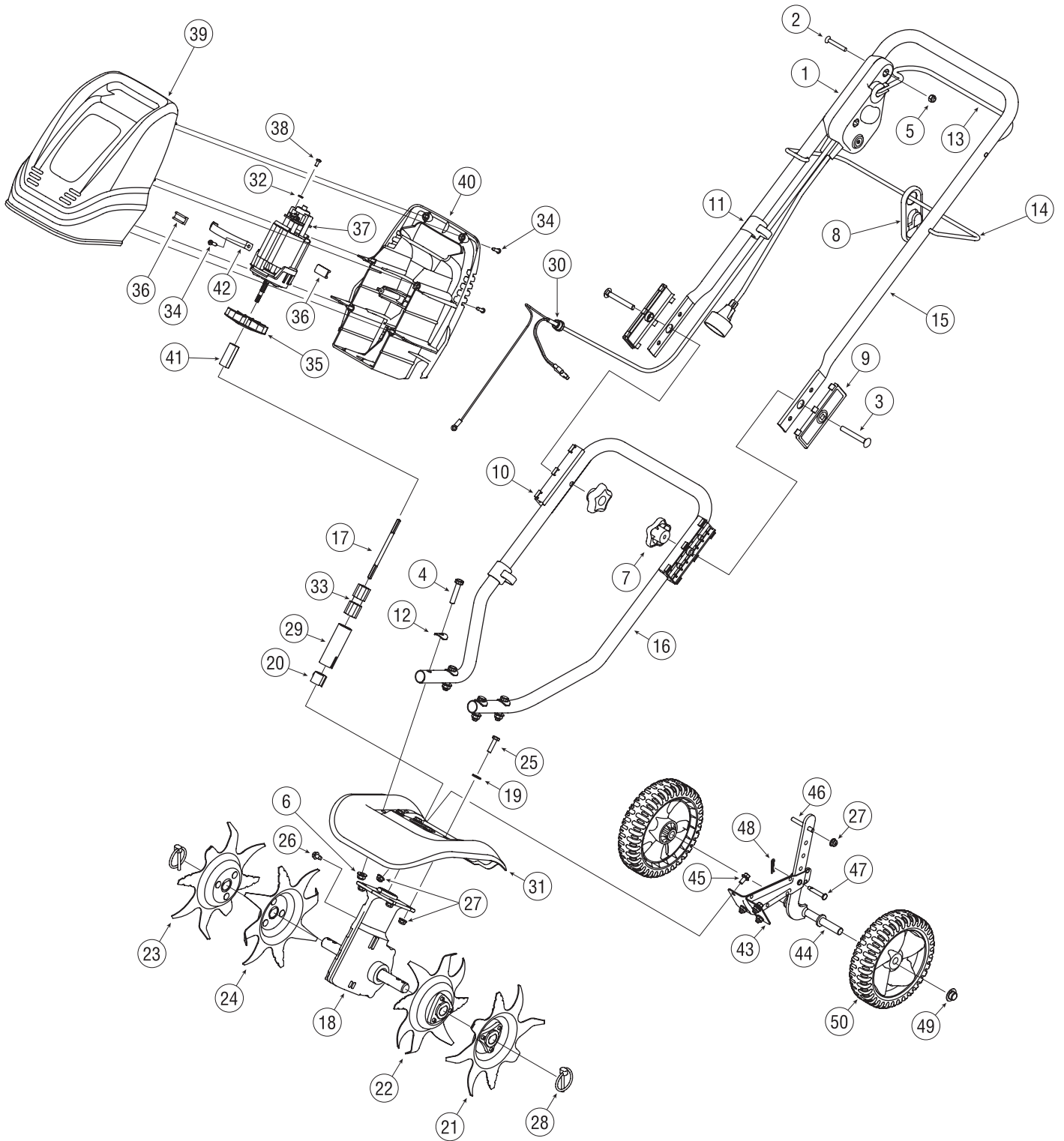
Tipo de motor	Eléctrico de 120 V
CARPM operativas	hasta 8000 rpm
Interruptor de encendido	Botón de seguridad con bloqueo por gancho
Amperaje	.6,5 Amp
Protección contra sobrecarga	Disyuntor de 5 amp y 120 V

### CULTIVADOR\*

Tubo del eje de la transmisión	Tubo de acero
Manija	Tubo de acero
Ancho de la trayectoria de cultivo (Máximo)	22,86 cm (9 pulgadas)
Profundidad de cultivo (Máximo)	15,24 cm (6 pulgadas)
Peso aproximado (sin combustible)	12,25 kg (27 libras)

\* Toda las especificaciones contenidas en este manual se basan en la información más reciente disponible en el momento de impresión del manual. Nos reservamos el derecho de hacer cambios en cualquier momento sin aviso previo.



**REPLACEMENT PARTS - MODEL TB154  
ELECTRIC CULTIVATOR**



**PARTS LIST****REPLACEMENT PARTS - MODEL TB154  
ELECTRIC CULTIVATOR**

<b>Item</b>	<b>Part No.</b>	<b>Description</b>	<b>Item</b>	<b>Part No.</b>	<b>Description</b>
1	625-04027A	Switch Assembly	26	4543	Bolt
2	710-04213	Screw	27	712-04064	Nut
3	710-0572	Bolt	28	753-04070	Lynch Pin
4	710-0805	Screw	29	753-04441	Boom Tube
5	912-0324	Nut	30	753-04428	Cord Bushing
6	712-04063	Nut	31	753-05457	Tine Shield
7	720-04052	Knob	32	1625	Lock Washer
8	726-0368	Cord Retainer	33	1A2679	Flex Tube Assembly
9	731-05178	Upper Handle Insulator	34	753-05274	Screw
10	791-05186	Lower Handle Insulator	35	50004	Fan
11	753-04429	Cable Guide	36	50545	Motor Pad
12	736-0451	Saddle Washer	37	924-04008	Motor Assembly
13	747-04375	Control Bail	38	791-145569	Screw
14	747-04376A	Guide Rod	39	731-05207	Front Motor Cover
15	749-04210	Upper Handle	40	731-05208	Rear Motor Cover
16	749-1295A	Lower Handle	41	748-04085	Motor Hub
17	10055-20	Flex Shaft	42	786-04268	Motor Strap
18	753-04075	Gearbox	43	753-04058	Bracket Assembly
19	791-182678	Washer	44	753-04063	Wheel Support Bracket Assembly
20	753-04078	Sleeve	45	710-04468	Screw
21	753-04071	Outer Tine Assembly	46	911-0993	Belt Guard Pin
22	753-04072	Inner Tine Assembly	47	711-1017	Clevis Pin
23	753-04073	Outer Tine Assembly	48	914-0104	Cotter Pin
24	753-04074	Inner Tine Assembly	49	726-0299	Push Cap
25	710-0597	Screw	50	753-04501	Wheel

# GARANTÍA LIMITADA DEL FABRICANTE PARA:



La garantía limitada establecida a continuación es dada por Troy-Bilt LLC ("Troy-Bilt") con respecto a mercancía nueva que sea comprada y usada en los Estados Unidos, sus posesiones y territorios.

Troy-Bilt garantiza este producto contra defectos en el material y la mano de obra durante un período de dos (2) años, a partir de la fecha de compra original y a su entera opción, arreglará o substituirá, sin costo alguno, cualquier pieza cuyo material o mano de obra se considere defectuoso. Esta garantía limitada se deberá aplicar únicamente si este producto ha sido manejado y mantenido de acuerdo al Manual del Operador incluido con el producto y, si no ha sido sometido a mal uso, abuso, uso comercial, accidente, mantenimiento inapropiado, alteración, vandalismo, hurto, fuego, agua o daños debidos a otros riesgos o desastre natural. Los daños ocasionados por la instalación o el uso de cualquier accesorio o aditamento que no esté aprobado por Troy-Bilt para que sea usado con el (los) producto(s) contemplados en este manual, anularán la garantía con respecto a cualquier daño resultante. Esta garantía está limitada a noventa (90) días a partir de la fecha de compra original de cualquier producto Troy-Bilt que se use para alquiler o para propósitos comerciales, o cualquier otro propósito que genere ingreso.

**CÓMO OBTENER SERVICIO:** El servicio de garantía se encuentra disponible A TRAVÉS DE SU DISTRIBUIDOR LOCAL AUTORIZADO, AL PRESENTAR UN COMPROBANTE DE COMPRA. Para ubicar al distribuidor de su área, por favor consulte las Páginas Amarillas o contacte al Departamento de Servicio al Consumidor de Troy-Bilt llame al **1-800-828-5500** o, escriba a P.O. Box 361131, Cleveland OH 44136-0019. Si está en Canadá, llame al **1-800-668-1238**. No se aceptará ningún producto que sea enviado directamente a la fábrica, a menos que haya recibido autorización previa por escrito por parte del Departamento de Servicio al Consumidor de Troy-Bilt.

**Esta garantía limitada no ofrece cobertura en los siguientes casos:**

- A. Sincronizaciones — Bujías, ajustes de carburadores, filtros.
- B. Artículos de desgaste — Botón de tope, carretes externos, línea de corte, carretes internos, polea de arranque, cuerdas de arranque, correas motoras.
- C. Troy-Bilt no le ofrece ninguna garantía a productos que sean vendidos o exportados fuera de los Estados Unidos de Norteamérica, sus posesiones y territorios, excepto aquellos que se vendan a través de los canales de distribución para exportación autorizados por Troy-Bilt.

Troy-Bilt se reserva el derecho a cambiar o mejorar el diseño de cualquier producto Troy-Bilt, sin asumir ninguna obligación para modificar ningún producto fabricado con anterioridad.

**Ninguna garantía implícita es aplicable, incluyendo cualquier garantía implícita de comerciabilidad o idoneidad para un propósito particular, después del período de la garantía expresa escrita con anterioridad, con respecto a las piezas identificadas. Ninguna otra garantía expresa dada por cualquier persona o entidad, incluyendo a los distribuidores o minoristas, bien sea escrita u oral, deberá comprometer a Troy-Bilt con respecto a cualquier producto. Durante el período de la Garantía, la solución exclusiva es arreglar o cambiar el producto de la manera establecida anteriormente.** (Algunos estados no permiten limitaciones en cuanto al período de duración de una garantía implícita, de manera que puede que la limitación anterior no sea aplicable para usted.)

**Las estipulaciones establecidas en esta Garantía ofrecen la solución única y exclusiva que resulte de las ventas. Troy-Bilt no deberá ser responsable de pérdidas o daños incidentales o consecuentes que incluyen, sin limitación, erogación de gastos debido a la sustitución de servicios de mantenimiento de prados, transporte o gastos relacionados, o gastos de alquiler para reemplazar temporalmente un producto bajo garantía.** (Algunos estados no permiten limitaciones en cuanto al período de duración de una garantía implícita, de manera que puede que la limitación anterior no sea aplicable para usted.)

La recuperación de cualquier tipo no deberá ser superior al precio de compra del producto vendido en ningún caso. La alteración de las características de seguridad del producto deberá anular la garantía. Usted asume el riesgo y la obligación de la pérdida, daño o lesión en su persona o a su propiedad y / o la de otras personas y sus propiedades, que se origine a raíz del uso o mal uso, o la falta de capacidad para usar el producto.

Esta garantía limitada no deberá cubrir a ninguna otra persona distinta al comprador original, arrendatario original, o la persona para la que se compró en calidad de regalo.

**Relación de las leyes estatales con esta Garantía:** Esta garantía le confiere derechos legales específicos, y puede que usted también tenga otros derechos, los cuales varían en cada estado.

Para ubicar a su distribuidor de servicio más cercano, llame al **1-800-828-5500** en los Estados Unidos o al **1-800-668-1238** en Canadá.

## Troy-Bilt LLC

P.O. Box 361131  
Cleveland, OH 44136-0019

## Free Manuals Download Website

<http://myh66.com>

<http://usermanuals.us>

<http://www.somanuals.com>

<http://www.4manuals.cc>

<http://www.manual-lib.com>

<http://www.404manual.com>

<http://www.luxmanual.com>

<http://aubethermostatmanual.com>

Golf course search by state

<http://golfingnear.com>

Email search by domain

<http://emailbydomain.com>

Auto manuals search

<http://auto.somanuals.com>

TV manuals search

<http://tv.somanuals.com>