

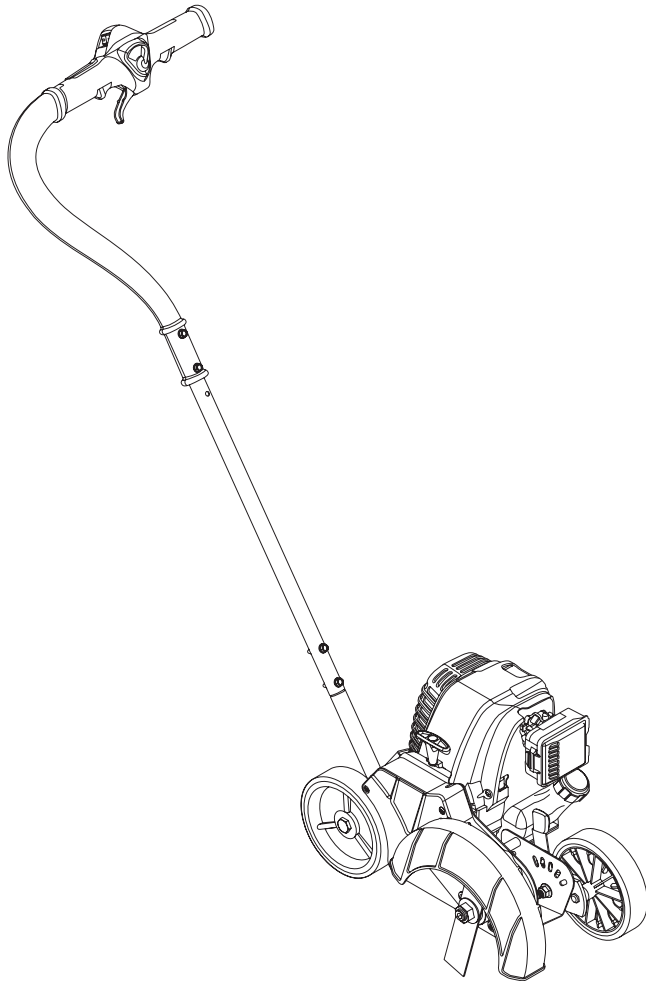


Operator's Manual

4-Cycle Gasoline Lawn Edger

TBE515

SAVE THESE INSTRUCTIONS



For service call **1-800-828-5500** in the United States, or **1-800-668-1238** in Canada to obtain a list of authorized service dealers near you. For more details about your unit, visit our website at www.troybilt.com.

DO NOT RETURN THE UNIT TO THE RETAILER. PROOF OF PURCHASE WILL BE REQUIRED FOR WARRANTY SERVICE.

THIS PRODUCT IS COVERED BY ONE OR MORE U.S. PATENTS. OTHER PATENTS PENDING.

Service on this unit both within and after the warranty period should be performed only by an authorized and approved service dealer.

SPARK ARRESTOR NOTE

NOTE: For users on U.S. Forest Land and in the states of California, Maine, Oregon and Washington. All U.S. Forest Land and the state of California (Public Resources Codes 4442 and 4443), Oregon and Washington require, by law that certain internal combustion engines operated on forest brush and/or grass-covered areas be equipped with a spark arrestor, maintained in effective working order, or the engine be constructed, equipped and maintained for the prevention of fire. Check with your state or local authorities for regulations pertaining to these requirements. Failure to follow these requirements could subject you to liability or a fine. **This unit is factory equipped with a spark arrestor.** If it requires replacement, ask your LOCAL SERVICE DEALER to install the **Accessory Part #753-05297 Spark Arrestor Kit.**

CALIFORNIA PROPOSITION 65 WARNING

	WARNING	
THE ENGINE EXHAUST FROM THIS PRODUCT CONTAINS CHEMICALS KNOWN TO THE STATE OF CALIFORNIA TO CAUSE CANCER, BIRTH DEFECTS OR OTHER REPRODUCTIVE HARM.		

All information, illustrations, and specifications in this manual are based on the latest product information available at the time of printing. We reserve the right to make changes at any time without notice.

Copyright© 2007 MTD SOUTHWEST INC, All Rights Reserved.

TABLE OF CONTENTS

Service Information	.1
Rules for Safe Operation	.2
Know Your Unit	.4
Assembly Instructions	.5
Oil and Fuel Information	.6
Starting/Stopping Instructions	.8
Operating Instructions	.9
Maintenance and Repair Instructions	.10
Cleaning and Storage	.13
Troubleshooting Chart	.14
Specifications	.15
Warranty Information	.16
Parts List	.E16



WARNING: When using the unit, you must follow the safety rules. Please read these instructions before operating the unit in order to ensure the safety of the operator and any bystanders. Please keep these instructions for later use.

RULES FOR SAFE OPERATION

• IMPORTANT SAFETY INSTRUCTIONS •

READ ALL INSTRUCTIONS BEFORE OPERATING



WARNING: When using the unit, the safety rules must be followed. For your own safety and that of bystanders, please read these instructions before operating the unit. Please keep the instructions safe for later use.

- Carefully read and understand the operator's manual of the unit that powers this attachment.
- Read this operating instruction manual carefully. Be thoroughly familiar with the controls and the proper use of the equipment. Know how to stop the unit and disengage the controls quickly.
- Do not operate this unit when tired, ill, or under the influence of alcohol, drugs, or medication.
- Never allow children to operate the equipment. Never allow adults unfamiliar with the instructions to use the unit. Never allow adults to operate the equipment without proper instruction.
- All guards and safety attachments must be installed properly before operating the unit.
- Inspect the unit before use. Ensure the blade is installed correctly and secure.
- Clear the area to be edged before each use. Remove all objects such as rocks, broken glass, nails, wire, or string which can be thrown or become entangled in the edging attachment.

SPECIAL SAFETY WARNINGS FOR LAWN EDGERS

- Store fuel only in containers specifically designed and approved for the storage of such materials.



WARNING: Gasoline is highly flammable, and its vapors can explode if ignited. Take the following precautions:

- Always stop the engine and allow it to cool before filling the fuel tank. Never remove the cap of the fuel tank, or add fuel, when the engine is hot. Never operate the unit without the fuel cap securely in place. Loosen the fuel tank cap slowly to relieve any pressure in the tank.
- Add fuel in a clean, well-ventilated area outdoors where there are no sparks or flames. Slowly remove the fuel cap only after stopping engine. Do not smoke while fueling. Wipe up any spilled fuel from the unit immediately.
- Avoid creating a source of ignition for spilled fuel. Do not start the engine until fuel vapors dissipate.
- Move the unit at least 30 feet (9.1 m) from the fueling source and site before starting the engine. Do not smoke. Keep sparks and open flames away from the area while adding fuel or operating the unit.
- Never start or run the unit inside a closed room or building. Breathing exhaust fumes can kill. Operate this unit only in a well ventilated area outdoors.

WHILE OPERATING

- Keep bystanders, especially children and pets, at least 50 ft (15 m) away.
- Wear safety glasses or goggles that are marked as meeting ANSI Z87.1 standards, and ear/hearing protection when operating this unit. Wear a face or dust mask if the operation is dusty.
- Wear heavy, long pants, boots, gloves and a long sleeve shirt. Do not wear loose clothing, jewelry, short pants, sandals or go barefoot. Secure hair above shoulder level.
- Use the unit only in daylight or good artificial light.
- Use the right tool. Only use this tool for the purpose intended.
- Do not force unit. It will do the job better and with less likelihood of injury at a rate for which it was designed.
- Use extreme caution when reversing or pulling the unit towards you.

- Do not overreach, take extra care when working on steep slopes or inclines. Always keep proper footing and balance.
- Always hold the unit with both hands when operating. Keep a firm grip on the handle.
- Keep hands, face, and feet at a distance from all moving parts. Do not touch or try to stop the blade when it is rotating. Do not operate without guards in place.
- Do not operate the engine faster than the speed needed to do the job. Do not run the engine at high speed when not in use.
- Always stop the engine/motor when operation is delayed or when walking from one location to another.
- Stop the engine/motor for maintenance, repair, to install or remove the blade. The unit must be stopped and the blade no longer turning to avoid injury.
- The blade may become very sharp from use. Always wear heavy gloves when handling, removing, installing or cleaning the blade.
- If you strike or become entangled with a foreign object, stop the engine/motor immediately and check for damage. Have any damage repaired before attempting further operations. Do not operate unit with a bent, cracked or dull blade. Discard blades that are bent, warped, cracked or broken.
- Stop the unit IMMEDIATELY if you feel excessive vibration. Vibration is a sign of trouble. Inspect thoroughly for loose nuts, bolts or damage before continuing. Repair or replace affected parts as necessary.
- Stop and switch the unit to off for maintenance, repair, or for changing add-ons or other attachments.
- Keep unit clean of vegetation and other materials. They may become lodged between the blade and guard.
- A coasting blade can cause injury while it continues to spin after the unit is stopped. Maintain proper control of the unit until the blade has completely stopped rotating.
- Use only genuine factory replacement parts and accessories for this unit. These are available from your authorized service dealer. Use of any unauthorized parts or accessories could lead to serious injury to the user or damage to the unit, and void your warranty.

MAINTENANCE AND STORAGE

- Allow the unit to cool before storing or transporting. Be sure to secure the unit while transporting.
- Store the unit in a locked up and dry or high and dry place to prevent unauthorized use or damage, out of the reach of children.
- Clean the blade with a hose and water. Wipe the blade with light machine oil to prevent rust.
- Never douse or squirt the unit with water or any other liquid. Keep handles dry, clean and free from debris. Clean after each use.
- Keep these instructions. Refer to them often and use them to instruct other users. If you loan someone this unit, also loan them these instructions.
- Only qualified personnel should perform any repairs or maintenance procedures that are not described in this manual.
- Check shear bolts, engine mounting bolts and other bolts at frequent intervals for proper tightness to be sure the equipment is in safe working condition.
- Inside a building store the machine away from ignition sources. Allow the engine to cool before storing in any enclosure.
- Always refer to the Operator's Manual instructions for important details if the lawn edger is to be stored for an extended period.
- Do not attempt to repair the machine unless you have the proper tools, and instructions for disassembly and repair of the machine.

SAVE THESE INSTRUCTIONS

RULES FOR SAFE OPERATION

SAFETY AND INTERNATIONAL SYMBOLS

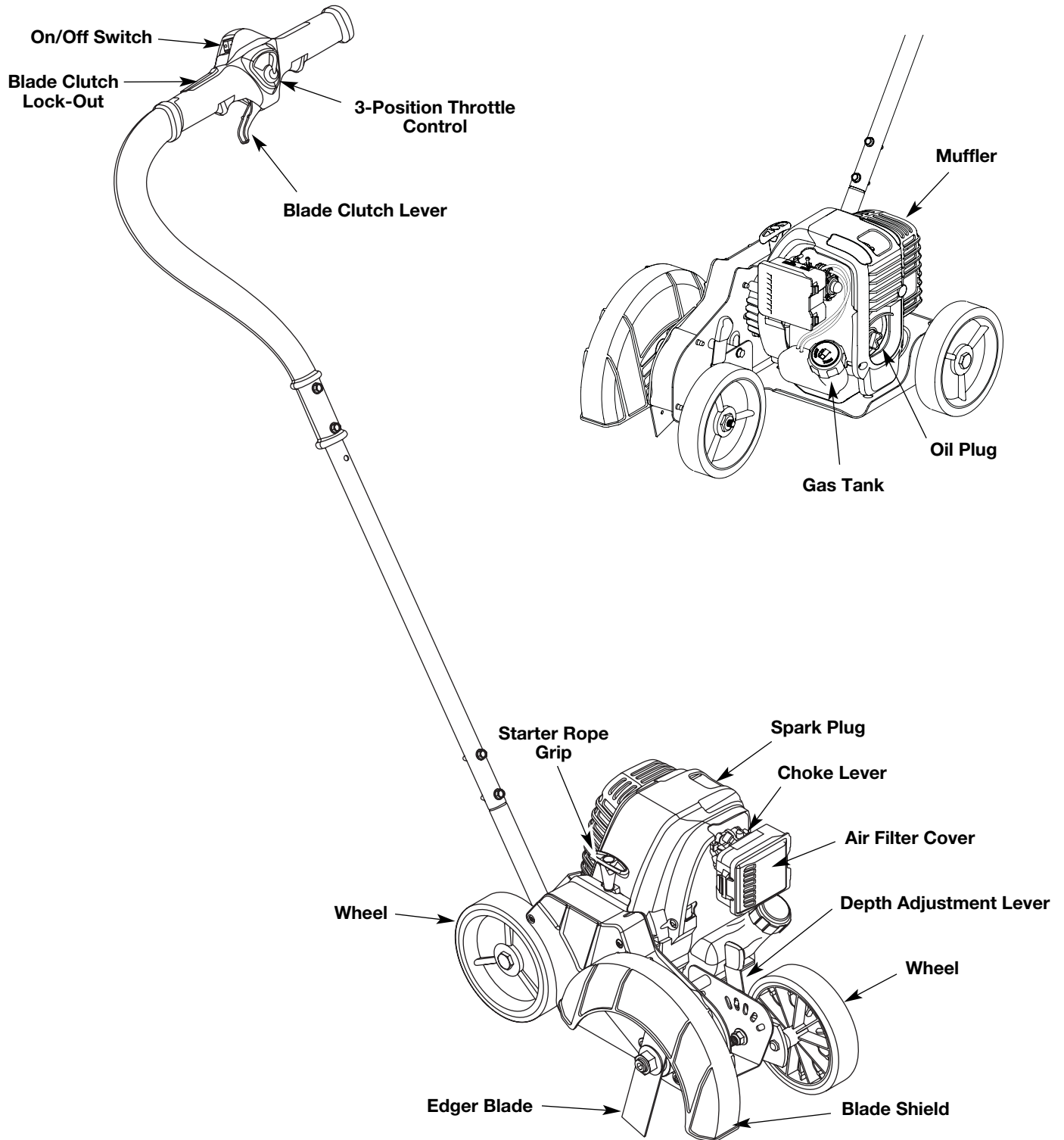
This operator's manual describes safety and international symbols and pictographs that may appear on this product. Read the operator's manual for complete safety, assembly, operating and maintenance and repair information.

SYMBOL	MEANING	SYMBOL	MEANING
	<ul style="list-style-type: none"> • SAFETY ALERT SYMBOL Indicates danger, warning or caution. May be used in conjunction with other symbols or pictographs. 		<ul style="list-style-type: none"> • ON/OFF STOP CONTROL ON / START / RUN
	<ul style="list-style-type: none"> • WARNING - READ OPERATOR'S MANUAL Read the operator's manual(s) and follow all warnings and safety instructions. Failure to do so can result in serious injury to the operator and/or bystanders. 		<ul style="list-style-type: none"> • ON/OFF STOP CONTROL OFF or STOP
	<ul style="list-style-type: none"> • WEAR EYE AND HEARING PROTECTION WARNING: Thrown objects and loud noise can cause severe eye injury and hearing loss. Wear eye protection meeting ANSI Z87.1 standards and ear protection when operating this unit. Use a full face shield when needed. 		<ul style="list-style-type: none"> • HOT SURFACE WARNING Do not touch a hot muffler, gear housing or cylinder. You may get burned. These parts get extremely hot from operation. They remain hot for a short time after the unit is turned off.
	<ul style="list-style-type: none"> • UNLEADED FUEL Always use clean, fresh unleaded fuel 		<ul style="list-style-type: none"> • THROWN OBJECTS AND ROTATING CUTTER CAN CAUSE SEVERE INJURY WARNING: Do not operate without the cutting attachment shield in place. Keep away from the rotating cutting attachment.
	<ul style="list-style-type: none"> • OIL Refer to operator's manual for the proper type of oil. 		<ul style="list-style-type: none"> • CHOKE CONTROL <ol style="list-style-type: none"> 1. • FULL choke position 2. • PARTIAL choke position 3. • RUN choke position
	<ul style="list-style-type: none"> • KEEP BYSTANDERS AWAY WARNING: Keep all bystanders, especially children and pets, at least 50 feet (15 m) from the operating area. 		<ul style="list-style-type: none"> • GARDEN EDGERS – ROTATING BLADE CAN CAUSE SEVERE INJURY WARNING: Stop the engine and allow the blade to stop before removing the blade, or before cleaning or performing any maintenance. Keep hands and feet away from rotating blade.

KNOW YOUR UNIT

APPLICATIONS

- Edging along paths, driveways, rockeries, etc.



ASSEMBLY INSTRUCTIONS

HANDLE ASSEMBLY

1. Remove the unit from the box.
2. Place the 2-holed end of the straight metal shaft over the shaft base on the unit and align the holes (Fig. 1).
3. Insert the two self-tapping screws (1/4" x 1-1/4") into these holes (Fig. 1).
4. Using a 3/8" wrench, screw each self-tapping screw into the shaft until firm. **DO NOT OVERTIGHTEN.**
5. Insert the control handle onto the 3-holed end of the straight metal shaft and align the control handle's holes with the two end holes of the straight metal shaft (Fig. 2).

NOTE: Because the control cables are pre-installed, care must be taken when installing the control handle to not pinch or bend the cables. This can damage them and cause them to function improperly.

6. Insert the two screws (1/4" x 1-1/2") into the recessed hex holes on the handle (Fig. 2) and hold in place.
7. Hand-start the lock-nuts onto these bolts.
8. Using a 7/16" wrench, tighten each nut onto each bolt until firm.
9. Pull out the starter rope and run it into the eye hook (Fig. 3).
10. Insert the eye hook into the remaining hole on the straight metal shaft (Fig. 3).
11. Screw the nut onto the eye hook (Fig 3) and use a 7/16" wrench to tighten. **DO NOT OVERTIGHTEN.**
12. Using the zip tie in the hardware bag, secure the handle cables to the straight metal shaft mid-way between the eye hook and the motor housing.

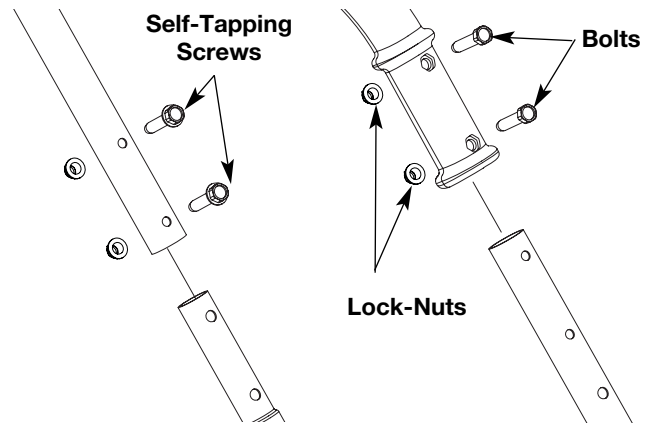


Fig. 1

Fig. 2

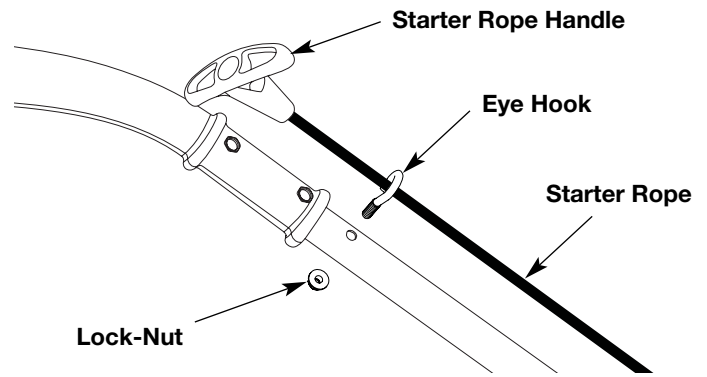


Fig. 3



WARNING: OVERFILLING OIL CRANKCASE MAY CAUSE SERIOUS PERSONAL INJURY. Check and maintain the proper oil level in the crank case; it is important and cannot be overemphasized. Check the oil before each use and change it as needed. See *Changing the Oil*.

RECOMMENDED OIL TYPE

Using the proper type and weight of oil in the crankcase is extremely important. Check the oil before each use and change the oil regularly. Failure to use the correct oil, or using dirty oil, can cause premature engine wear and failure. Use a high-quality SAE 30 weight oil of API (American Petroleum Institute) service class SF, SG, SH.

ADDING OIL TO CRANKCASE: INITIAL USE

NOTE: This unit is shipped without oil. In order to avoid damage to the unit, put oil in the crankcase before you attempt to start the unit.

Your unit is supplied with one 3.04 fluid oz. (90 ml.) bottle of SAE 30 SF, SG, SH oil (Fig. 4).

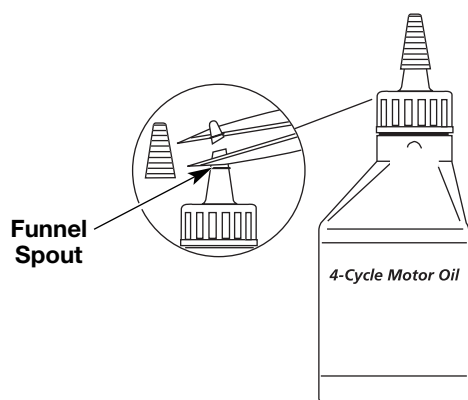


Fig. 4

NOTE: Save the empty oil bottle. It can be used to measure the correct amount during future oil changes. See *Changing the Oil*.

1. Unscrew the top of the bottle of oil and remove the paper seal covering the opening. Replace the top. Next, cut the tip off the funnel spout (Fig. 4).
2. Tip unit so that the back of the engine is facing up in a vertical position.
3. Remove the oil fill plug from the crankcase (Fig. 5).

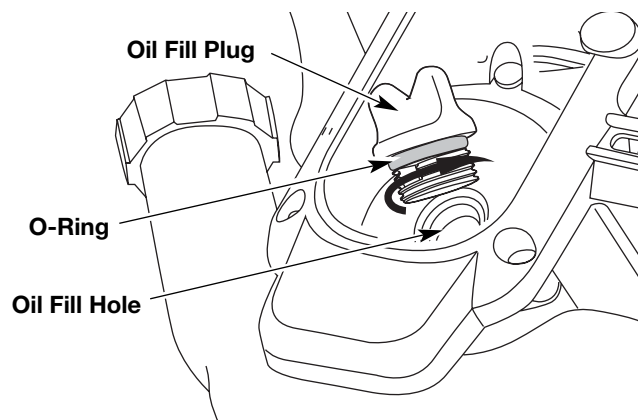


Fig. 5

4. Pour the entire bottle of oil into the oil fill hole (Fig. 6).

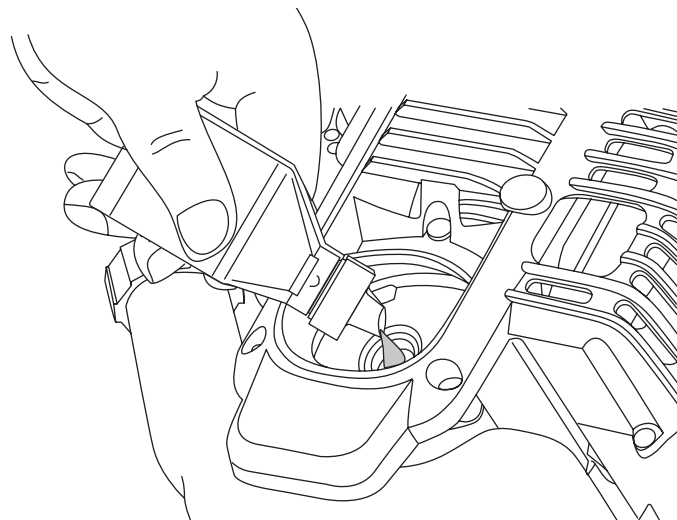


Fig. 6

NOTE: Never add oil to the gas or gas tank.

5. Wipe up any oil that may have spilled and reinstall the oil fill plug.

Check oil before each use and change as needed. Refer to *Checking the Oil Level*.

RECOMMENDED FUEL TYPE

Old gasoline is the primary reason for improper unit performance. Be sure to use fresh, clean, unleaded gasoline.

NOTE: This is a four cycle engine. In order to avoid damage to the unit, do not mix oil with the gasoline.

Definition of Blended Fuels

Today's fuels are often a blend of gasoline and oxygenates such as ethanol, methanol or MTBE (ether). Alcohol-blended fuel absorbs water. As little as 1% water in the fuel can form acids when stored. Use fresh fuel (less than 60 days old), when using alcohol-blended fuel.

Using Blended Fuels

If you choose to use a blended fuel, or its use is unavoidable, follow recommended precautions:

- Always use fresh unleaded gasoline
- Use a gas stabilizer fuel additive
- Drain tank and run the engine dry before storing unit

Using Fuel Additives

The use of a gas stabilizer will inhibit corrosion and minimize the formation of gum deposits. Using a fuel additive can keep fuel from forming harmful deposits in the carburetor for up to six (6) months. Add 0.8 oz. (23 ml.) of fuel additive per gallon of fuel according to the instructions on the container. NEVER add fuel additives directly to the unit's gas tank.

OIL AND FUEL INFORMATION

FUELING THE UNIT



WARNING: Add fuel in a clean, well ventilated outdoor area. Wipe up any spilled fuel immediately. Avoid creating a source of ignition for spilt fuel. Do not start the engine until fuel vapors dissipate.



WARNING: Gasoline is extremely flammable. Ignited vapors may explode. Always stop the engine and allow it to cool before filling the fuel tank. Do not smoke while filling the tank. Keep sparks and open flames at a distance from the area.

1. Remove the gas cap.



WARNING: Remove fuel cap slowly to avoid injury from fuel spray. Never operate the unit without the fuel cap securely in place.

2. Place the gas container's spout into the fill hole on the fuel tank (Fig. 7) and fill the tank.

NOTE: Fill or add gas to the tank only when the edger is in the horizontal position.

NOTE: Do not overfill the tank.

3. Wipe up any gasoline that may have spilled.
4. Reinstall the gas cap.
5. Move the unit at least 30 ft. (9.1 m) from the fueling source and site before starting the engine.

NOTE: Dispose of the old gasoline in accordance to Federal, State and Local regulations.

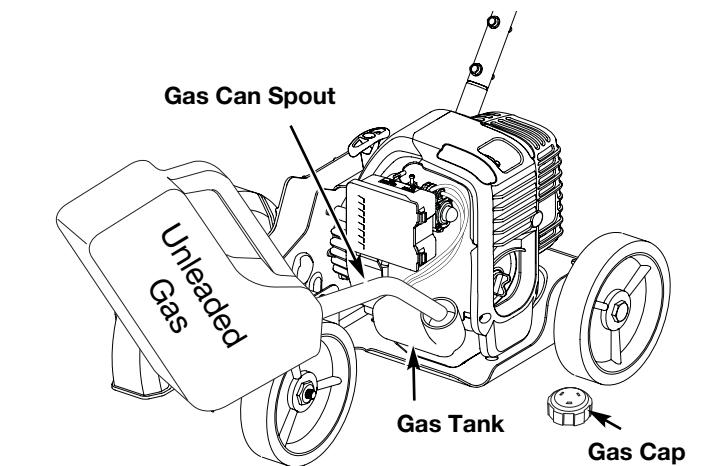


Fig. 7

STARTING/STOPPING INSTRUCTIONS



WARNING: Operate this unit only in a well-ventilated outdoor area. Carbon monoxide exhaust fumes can be lethal in a confined area.



WARNING: Avoid accidental starting. Make sure you are in the starting position when pulling the starter rope (Fig. 11). To avoid serious injury, the operator and unit must be in a stable position while starting.

STARTING INSTRUCTIONS

1. Check the oil level in the crankcase. Refer to *Checking the Oil Level*.
2. Fill the fuel tank with fresh, clean unleaded gasoline. Refer to *Fueling the Unit*.

NOTE: There is no need to turn the unit on. The On/Off Stop Control is in the ON (I) position at all times (Fig. 8).

3. Fully press and release the primer bulb 10 times, slowly. Some amount of **fuel should be visible in the primer bulb and fuel lines** (Fig. 9). If you can't see fuel in the bulb, press and release the bulb as many times as it takes before you can see fuel in it.
4. Place the choke lever in **Position 1** (Fig. 10).
5. Stand in the starting position (Fig. 11). Place the Throttle Control Lever in the Fast position (Fig. 8) and pull the starter rope briskly 5 times.
6. Place the choke lever in **Position 2** (Fig. 10).
7. Pull the starter rope briskly 1 to 4 times to start the engine.
8. Allow the engine to warm up for 15 to 30 seconds.
9. Place the choke lever in **Position 3** (Fig. 10). The unit is ready for use.

IF... the engine does not start, go back to step 3.

IF... the engine fails to start after a few attempts, place the choke lever in **Position 3**, move the throttle control lever to the fast position. Pull the starter rope briskly 3 to 8 times. The engine should start. If not, repeat.

STOPPING INSTRUCTIONS

1. Release your hand from the blade clutch lock-out and the blade clutch lever, and move throttle control lever to the slow position. Allow the engine to cool down by idling.
2. Press and hold On/Off Stop Control in the OFF (O) position until engine comes to a complete stop (Fig. 8).

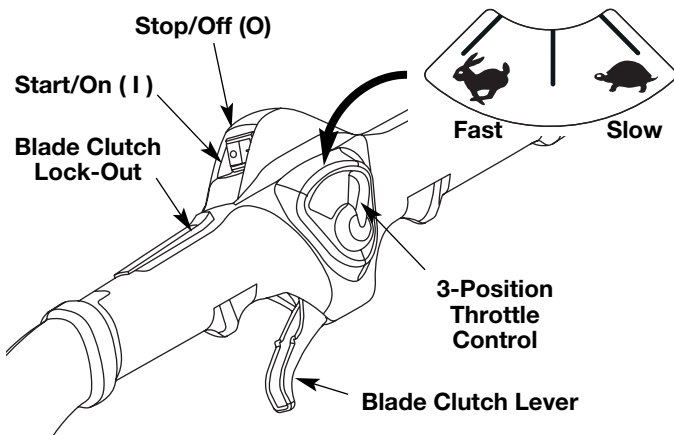


Fig. 8

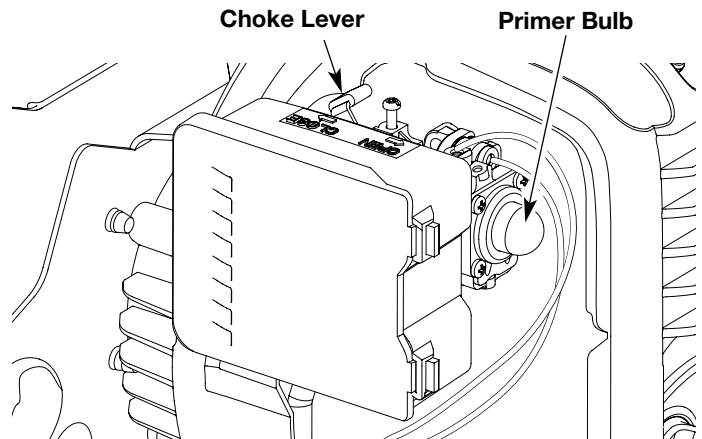


Fig. 9

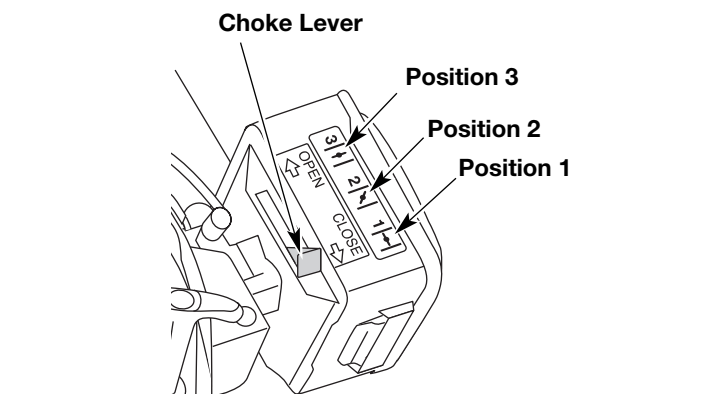


Fig. 10

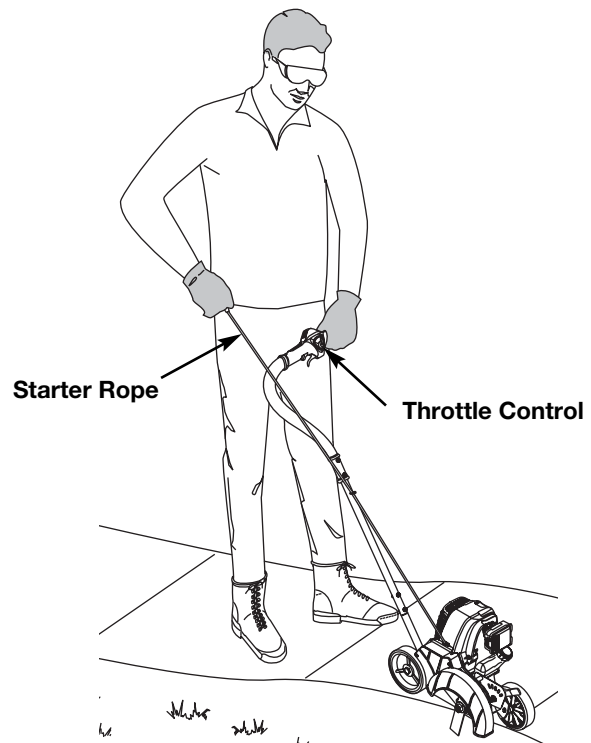


Fig. 11

OPERATING INSTRUCTIONS

HOLDING THE UNIT



WARNING: Always wear eye, hearing, foot and body protection to reduce the risk of injury when operating this unit.

Before operating the unit, stand in the operating position (Fig. 12). Check for the following:

- The operator is wearing eye protection and proper clothing.
- Both hands are holding the handle bar firmly.
- The edger wheel adjusted for proper cut depth as shown in Figure 13 and edger positioned as shown in Figure 12.

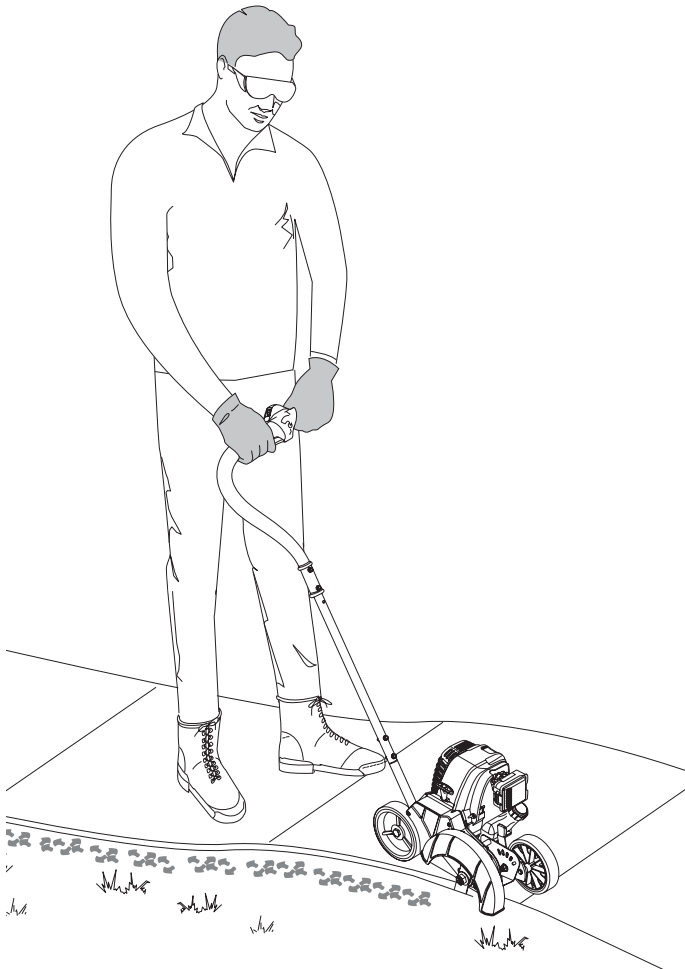


Fig. 12

ADJUSTING EDGER CUTTING DEPTH

1. Grasp the depth adjustment lever located beside the front wheel (Fig. 13).
2. To raise the cutting blade, move the lever toward the front of the wheel bracket (Fig. 13). Lowering the wheel decreases the cutting depth.
3. To lower the cutting blade, move the lever toward the rear of the wheel bracket. Raising the wheel increases the cutting depth.

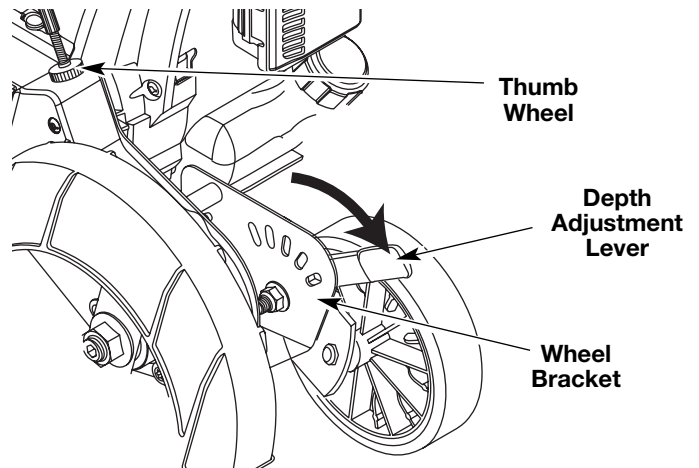


Fig. 13

TIPS FOR BEST EDGING RESULTS

- Do not force the edger. Edge the first time at a lesser depth, (No more than 1/2" depth cut per pass), then do the area again with a deeper setting.
- Walk the edger at a slow, even pace
- Check the blade condition. As it wears it becomes smaller, thus reducing the cutting depth performance. Replace with a new blade when the blade has worn to the blade's wear limit holes (Fig. 14).

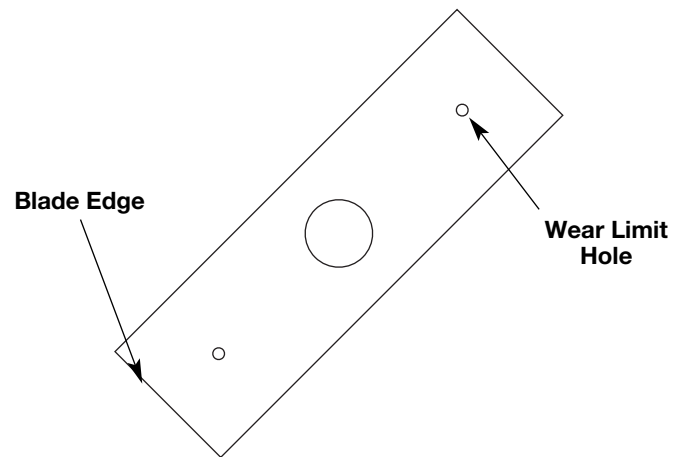


Fig. 14

ADJUST BELT TENSION

If blade fails to turn when the blade clutch lock-out and the blade clutch lever are pressed, then:

1. Locate small thumb wheel on top of the belt housing (Fig. 13).
2. Turn the wheel clockwise 1 revolution to increase the tension on the belt.
3. Try depressing the blade clutch lock-out and the blade clutch lever and see if blade turns. If not, repeat step 2 until the blade turns.

MAINTENANCE AND REPAIR INSTRUCTIONS



WARNING: To prevent serious injury, never perform maintenance or repairs with unit running. Always service and repair a cool unit. Disconnect the spark plug wire to ensure that the unit cannot start.

MAINTENANCE SCHEDULE

Perform these required maintenance procedures at the frequency stated in the table. These procedures should also be a part of any seasonal tune-up.

NOTE: Some maintenance procedures may require special tools or skills. If you are unsure about these procedures take your unit to a Troy-Bilt or other qualified service dealer.

FREQUENCY	MAINTENANCE REQUIRED	SEE
Before starting engine	Fill fuel tank with fresh fuel Check oil	p. 6 p. 11
Every 10 hours	Clean and re-oil air filter	p. 11
1st change at 10 hours 2nd change at 25 hours Every 25 hours after	Change oil Change oil Clean spark arrestor	p. 11 p. 11 p. 13
10 hours on new engine Every 25 hours Every 25 hours	Check rocker arm to valve clearance and adjust Check rocker arm to valve clearance and adjust Check spark plug condition and gap	p. 12 p. 12 p. 13

BLADE REPLACEMENT



WARNING: To avoid serious personal injury, always wear gloves while handling, removing or installing the blade.

- Place the 5/16" Allen wrench in the spindle hole (Fig. 15).
- While holding the Allen wrench in place, loosen the nut with a 15/16" wrench by turning it counterclockwise (Fig. 15).

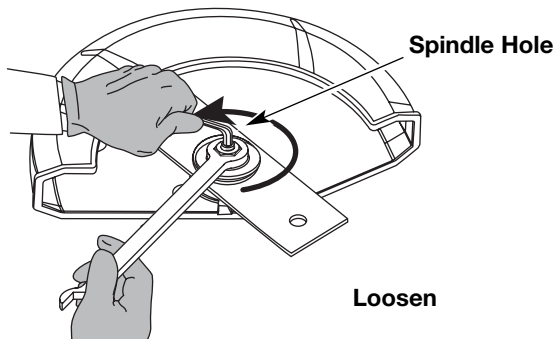


Fig. 15

- Remove the nut and blade. Keep the nut for new blade installation.
- Install the new blade and nut (Fig. 16).

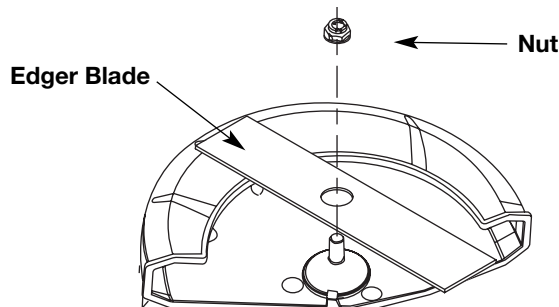


Fig. 16

NOTE: Maintenance, replacement, or repair of the emission control devices and system may be performed by a Troy-Bilt or other qualified service dealer.

In order to assure peak performance of your engine, inspection of the engine exhaust port may be necessary after 50 hours of operation. If you notice lost RPM, poor performance or general lack of acceleration, this service may be required. If you feel your engine is in need of this inspection, refer service to a Troy-Bilt or other qualified service dealer for repair. **DO NOT** attempt to perform this process yourself as engine damage may result from contaminants involved in the cleaning process for the port.

- While holding the Allen wrench in the spindle hole, tighten the nut by turning the wrench clockwise until tight (Fig. 17).

NOTE: Make sure that the blade stays flat and centered against the output shaft throughout installation.

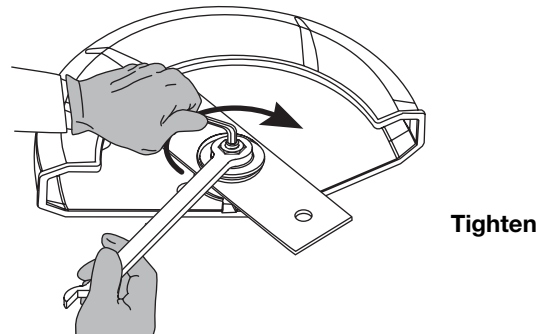


Fig. 17



WARNING: Verify the blade is flat against the output shaft after the nut is tightened. If the blade is off-center, the unit will be damaged by vibration, and the blade may fly off, which can cause serious personal injury.

ACCESSORIES/REPLACEMENT PARTS

Blade	753-05562
Nut	753-05549

Use only original Troy-Bilt replacement parts.

MAINTENANCE AND REPAIR INSTRUCTIONS

CHECKING THE OIL LEVEL

The importance of checking and maintaining the proper oil level in the crankcase cannot be overemphasized. Check oil before each use:

1. Stop the engine and allow oil to drain into the crankcase.
2. Place the unit on a level surface to get a proper oil level reading.
3. Keep dirt, grass clippings and other debris out of the engine. Clean the area around the oil fill plug before removing it.
4. Remove the oil fill plug.
5. Look into the oil fill hole, use a flashlight if needed. The oil should be just touching the inner most thread (Fig. 18).
6. If the oil level is not touching the inner most thread on the oil fill hole, add a small amount of oil to the oil fill hole and recheck (Fig. 21). Repeat this procedure until the oil level reaches the inner most thread on the oil fill hole.

NOTE: Do not overfill the unit.

NOTE: Make sure the O-ring is in place on the oil fill plug when checking and changing the oil (Fig. 19).



Fig. 18

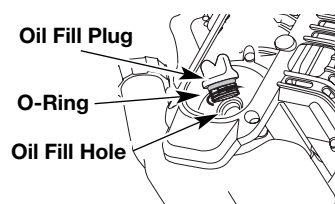
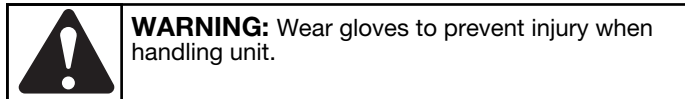


Fig. 19

CHANGING THE OIL

For a new engine, change the oil after the first 10 hours of operation. Change the oil while the engine is still warm. The oil will flow freely and carry away more impurities.



WARNING: Wear gloves to prevent injury when handling unit.

1. Unplug spark plug boot to prevent accidental starting.
2. Remove the oil fill plug.
3. Pour the oil out of the oil fill hole and into a container by tipping the unit to a vertical position (Fig. 20). Allow ample time for complete drainage.
4. Wipe up any oil residue on the unit and clean up any oil that may have spilled. Dispose of the oil according to Federal, State and local regulations.
5. Refill the crankcase with 3.04 fluid ounce (90 ml) of SAE 30 SF, SG, SH oil.

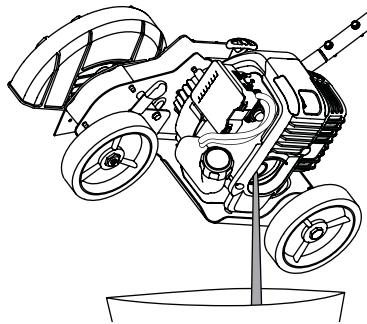


Fig. 20

NOTE: Use the bottle and spout saved from initial use to measure the correct amount of oil. The top of the label on the bottle measures approximately 3.04 ounces (90 ml) (Fig. 21). Check the level, See *Checking the Oil Level*. If the level is low, add a small amount of oil and recheck. Do not overfill (Fig. 21).

6. Replace the oil fill plug.
7. Reconnect the spark plug boot.

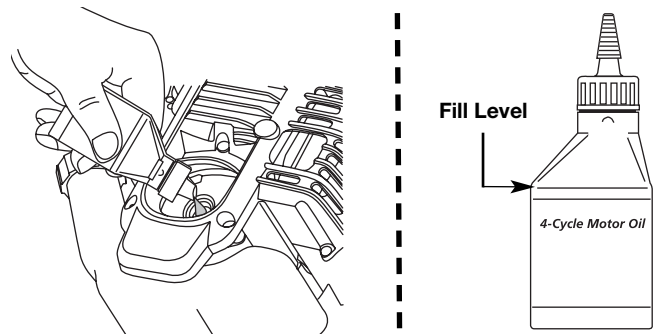


Fig. 21

AIR FILTER MAINTENANCE



WARNING: To avoid serious personal injury, always turn the unit off and allow it to cool before you clean or service it.

Cleaning the Air Filter

Clean and re-oil the air filter every 10 hours of operation. It is an important item to maintain. Failure to maintain your air filter properly can result in poor performance or can cause permanent damage to your engine.

1. Open the air filter cover. Push the tab on the left side of the cover in, swing the air filter cover out and off the air filter housing (Fig. 22).

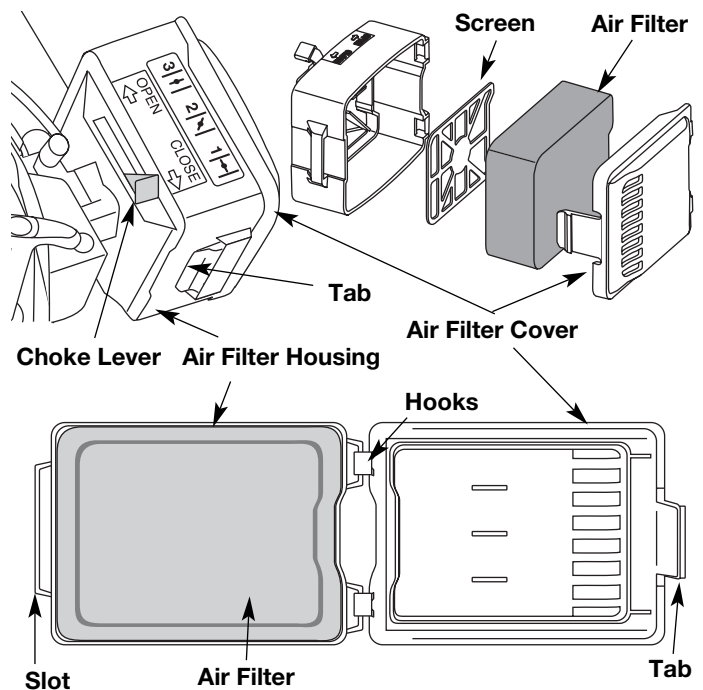


Fig. 22

2. Remove the air filter and the screen that sits behind it (Fig. 22).
3. Wash the filter in detergent and water (Fig. 23). Rinse the filter thoroughly and allow it to dry.
4. Apply enough clean SAE 30 motor oil to lightly coat the filter (Fig. 24).
5. Squeeze the filter to spread and remove excess oil (Fig. 25).
6. Replace the filter (Fig. 22).

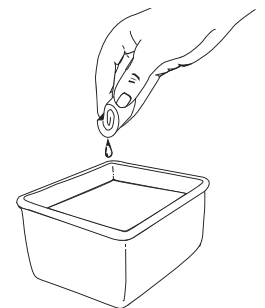


Fig. 23

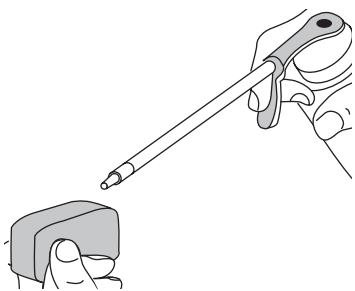


Fig. 24

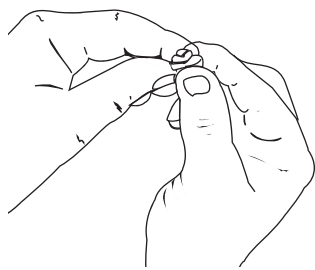


Fig. 25

NOTE: If the unit is operated without the air filter, you will **VOID** the warranty.

7. Reinstall the air filter cover. Position the tabs on the sides of the air filter cover onto the slots at the top of the back plate (Fig. 22).
8. Push the cover in until the tab on the air filter backplate snaps into place in the slot on the air filter cover (Fig. 22).

CARBURETOR ADJUSTMENT

The idle speed of the engine is adjustable. An idle adjustment screw is between the air filter cover and the engine starter housing (Fig. 26).

Idle Adjustment Screw

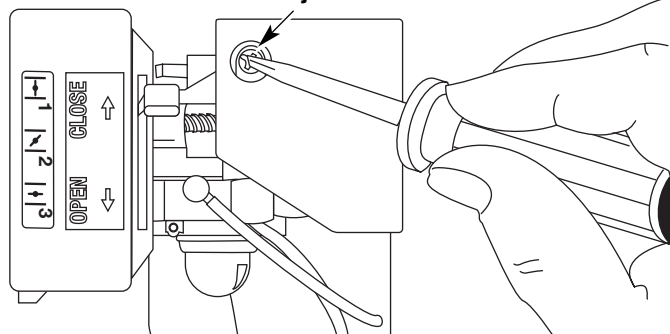


Fig. 26

NOTE: Careless adjustments can seriously damage your unit. An authorized service dealer should make carburetor adjustments.

Check Fuel

Old fuel is usually the reason for improper unit performance. Drain and refill the tank with fresh fuel prior to making any adjustments. Refer to *Oil and Fuel Information*.

Adjust Idle Speed Screw

If, after checking the fuel and cleaning the air filter, the engine still will not idle, adjust the idle speed screw as follows:

1. Start the engine and let it run at a high idle for a minute to warm up. Refer to *Starting/Stopping Instructions*.
2. Move the throttle control lever to the Slow position (🐢) and let the engine idle. If the engine stops, insert a small phillips in between the Air Filter Cover and the Engine Cover (Fig. 26).

NOTE: Do not engage the Blade Clutch Lever while adjusting the idle speed screw to ensure that the blade will not rotate.

3. Turn the idle speed screw in, **clockwise**, 1/8 of a turn at a time (as needed) until the engine idles smoothly.



WARNING: To prevent serious personal injury, make sure the blade has stopped rotating before you turn it off.

Checking the fuel, cleaning the air filter, and adjusting the idle speed should solve most engine problems. If not and all of the following are true:

- the engine will not idle
- the engine hesitates or stalls on acceleration
- there is a loss of engine power

Have the carburetor adjusted by an authorized service dealer.

ROCKER ARM CLEARANCE

This requires disassembly of the engine. If you feel unsure or unqualified to perform this, take the unit to an authorized service center.

NOTE: Inspect the valve to rocker arm clearance with a feeler gauge after the first 10 hours of operation and every 25 hours of operation.

- The engine must be cold when checking or adjusting the valve clearance.
- This task should be performed inside, in a clean, dust free area.

1. Remove the six (6) screws on the back of the engine cover with a Flat-head or T-25 Torx screwdriver (Fig. 27).

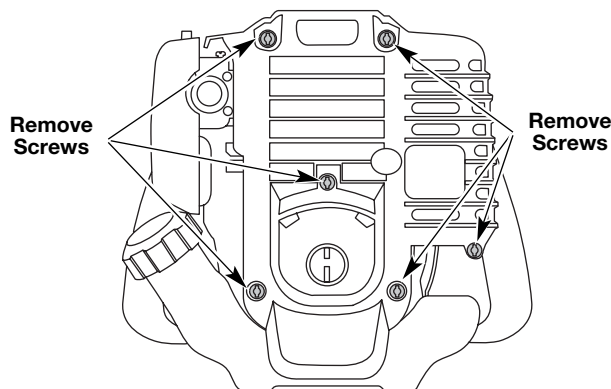


Fig. 27

2. Disconnect the spark plug wire.
3. Clean dirt from around the spark plug. Remove the spark plug from the cylinder head by turning a 5/8 in. socket counterclockwise.
4. Remove the engine cover (Fig. 27).
5. Clean dirt from around the rocker arm cover. Remove the screw holding the rocker arm cover with a large flat blade screwdriver or Torx T-25 bit (Fig. 28). Remove the rocker arm cover and gasket.

6. Pull the starter rope slowly to bring the piston to the top of its travel, (known as top dead center). Check that:
 - The piston is at the top of its travel while looking in the spark plug hole (Fig. 29)
 - Both rocker arms move freely, and both valves are closed

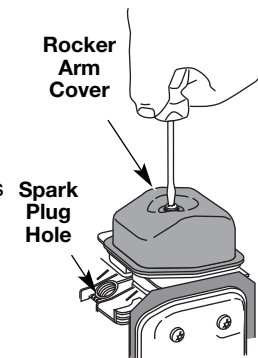


Fig. 28

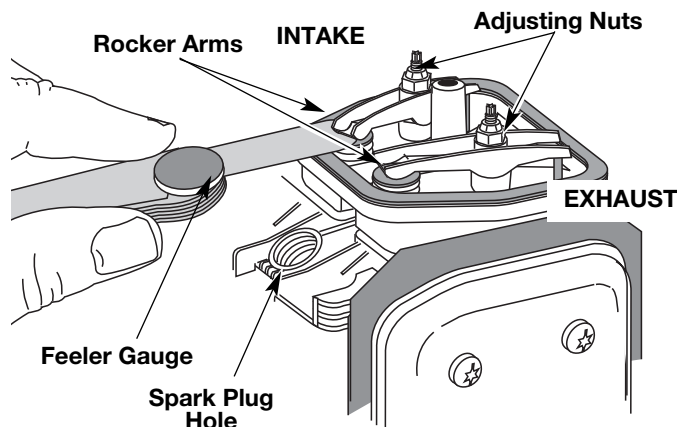


Fig. 29

If these statements are not true, repeat this step.

MAINTENANCE AND REPAIR INSTRUCTIONS

7. Slide the feeler gauge between the rocker arm and the valve return spring. Measure the clearance between the valve stem and rocker arm (Fig. 29). Measure both the intake and exhaust valves.

The recommended clearance for both intake and exhaust is .003 – .006 in. (.076 – 0.152 mm). Use a standard automotive .005 in. (0.127 mm) feeler gauge. The feeler gauge should slide between the rocker arm and valve stem with a slight amount of resistance, without binding. See Figures 29 and 30.

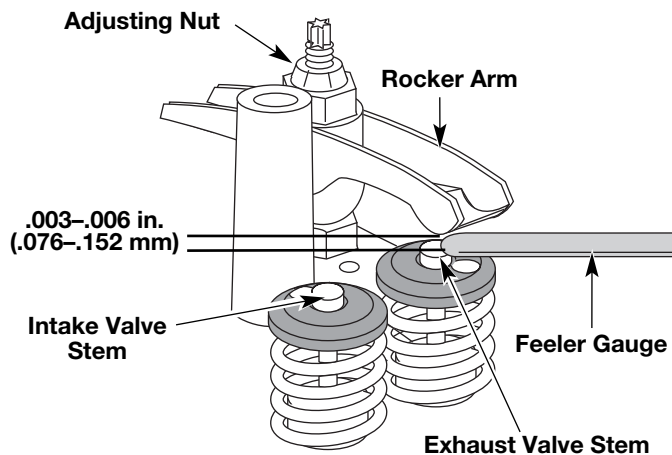


Fig. 30

8. If the clearance is not within specification:
 - a. Turn the adjusting nut using a 5/16 inch (8 mm) wrench or nut driver (Fig. 29).
 - To increase clearance, turn the adjusting nut counterclockwise.
 - To decrease clearance, turn the adjusting nut clockwise.
 - b. Recheck both clearances, and adjust as necessary.
9. Reinstall the rocker arm cover using a new gasket. Torque the screw to 20–30 in•lb (2.2–3.4 N•m).
10. Check the spark plug and reinstall. See *Replacing the Spark Plug*.
11. Replace the spark plug wire.
12. Reinstall the engine cover. Check alignment of the cover before tightening the screws. Tighten screws.

REPLACING THE SPARK PLUG

Use a replacement part number 753-05255 spark plug. The correct air gap is **0.025 in. (0.635 mm)**. Remove the plug after every 25 hours of operation and check its condition.

1. Stop the engine and allow it to cool. Remove the six (6) screws on the back of the engine cover with a Flat-head or T-25 Torx screwdriver (Fig. 28).
2. Grasp the plug wire firmly and pull the cap from the spark plug.
3. Clean dirt from around the spark plug. Remove the spark plug from the cylinder head by turning a 5/8 in. socket counterclockwise.



WARNING: Do not sand blast, scrape or clean electrodes. Grit in the engine could damage the cylinder.

4. Replace cracked, fouled or dirty spark plug. Set the air gap at **0.025 in. (0.635 mm)** using a feeler gauge (Fig. 31).
 5. Install a correctly-gapped spark plug in the cylinder head. Turn the 5/8 in. socket clockwise until snug.
- If using a torque wrench torque to:
110-120 in.•lb. (12.3-13.5 N•m)
 Do not over tighten.

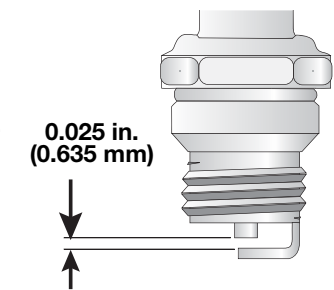


Fig. 31

SPARK ARRESTOR MAINTENANCE

1. Remove the rear engine cover. See *Rocker Arm Clearance*.
2. With a flat blade screwdriver or Torx T-20 bit and a T-25 bit, remove the screws attaching the spark arrestor cover to the muffler (Fig. 32).

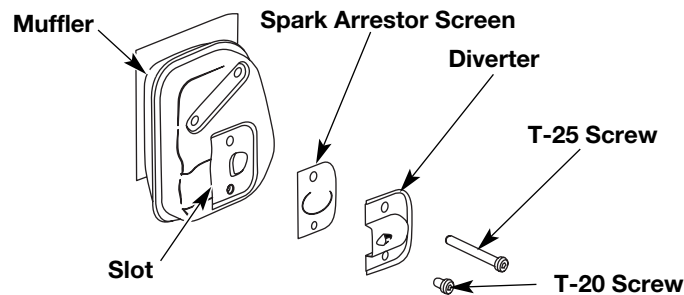


Fig. 32

3. Pull the tab on the spark arrestor cover out of the muffler. Remove the spark arrestor cover.
4. Remove the spark arrestor screen from the spark arrestor cover.
5. Clean the spark arrestor screen with a wire brush or replace it.
6. Reinstall the spark arrestor screen, spark arrestor cover and screws.

CLEANING



WARNING: To avoid serious personal injury, always turn your unit off and allow it to cool before you clean or service it.

Use a small brush to clean off the outside of the unit. Do not use strong detergents. Household cleaners that contain aromatic oils such as pine and lemon, and solvents such as kerosene, can damage plastic housing or handle. Wipe off any moisture with a soft cloth.

STORAGE

- Never store the unit with fuel in the tank where fumes may reach an open flame or spark.
- Allow the engine to cool before storing.
- Lock up the unit to prevent unauthorized use or damage.
- Store the unit in a dry, well-ventilated area.
- Store the unit out of the reach of children.

LONG TERM STORAGE

1. Drain all gasoline from the gas tank into a container. Do not use gas that has been stored for more than 60 days. Dispose of the old gasoline in accordance to Federal, State, and Local regulations.
2. Start the engine and allow it to run until it stalls. This ensures that all gasoline has been drained from the carburetor.
3. Allow the engine to cool. Remove the spark plug and put 5 drops of high quality motor oil into the cylinder. Pull the starter rope slowly to distribute the oil. Reinstall the spark plug.

NOTE: Remove the spark plug and drain all of the oil from the cylinder before attempting to start the edger after storage.

4. Change the oil, referring to *Changing the Oil*. Dispose of the old oil in accordance to Federal, State and Local regulations.
5. Thoroughly clean the unit and inspect for any loose or damaged parts. Repair or replace damaged parts and tighten loose screws, nuts or bolts. The unit is ready for storage.

TRANSPORTING

- Allow the engine to cool before transporting.
- Secure the unit while transporting.
- Drain the gas tank before transporting.
- Tighten gas cap before transporting.

TROUBLESHOOTING

LE MOTEUR REFUSE DE DÉMARRER

CAUSE	ACTION
Empty fuel tank	Fill fuel tank with new fuel
Primer bulb wasn't pressed enough	Press primer bulb fully and slowly 10 times
Old fuel	Drain gas tank and add fresh fuel
Fouled spark plug	Replace or clean the spark plug
Plugged spark arrestor	Clean or replace spark arrestor

LE MOTEUR REFUSE DE SE METTRE AU RALENTI

CAUSE	ACTION
Air filter is plugged	Replace or clean the air filter
Old fuel	Drain gas tank and add fresh fuel
Improper carburetor adjustment	Adjust carburetor

LE MOTEUR REFUSE D'ACCÉLÉRER

CAUSE	ACTION
Old fuel	Drain gas tank and add fresh fuel
Blade bound with grass	Stop the engine and clean the blade
Dirty air filter	Clean or replace the air filter
Plugged spark arrestor	Clean or replace spark arrestor

LE MOTEUR MANQUE DE PUISSANCE OU SE CALE DURANT LA COUPE

CAUSE	ACTION
Old fuel	Drain gas tank and add fresh fuel
Fouled spark plug	Replace or clean the spark plug
Plugged spark arrestor	Clean or replace spark arrestor
Blade cutting depth too deep	Adjust blade cutting depth

LAME BLOQUÉE

CAUSE	ACTION
Blade bound with grass	Stop the engine and clean the blade
Drive belt loose	Adjust belt tension using tension wheel
Drive belt broken	Replace belt

If further assistance is required, contact your authorized service dealer.

SPECIFICATIONS

ENGINE*

Engine Type.....	Air-Cooled, 4-Cycle
Displacement.....	1.8 cu. in. (29 cc)
Operating RPM.....	6,800+ rpm
Idle Speed RPM.....	2,800 - 3,600 rpm
Ignition Type.....	Electronic
On/Off Stop Control.....	Momentary
Valve clearance.....	0.003–0.006 in. (0.076–0.152 mm)
Spark Plug Gap.....	0.025 inch (0.635 mm)
Lubrication.....	SAE 30 Oil
Crankcase Oil Capacity.....	3.04 oz (90 ml)
Fuel.....	Unleaded
Carburetor.....	Diaphragm, All-Position
Starter.....	Auto Rewind
Muffler.....	Baffled with Guard
Throttle.....	Variable Speed
Fuel Tank Capacity.....	14 oz (414 ml)

UNIT*

Unit Weight.....	22.1 lbs. (10.02 kg.)
Cutting Depth (maximum).....	1.75 in. (44.5 mm)

*All specifications are based on the latest product information available at the time of printing. We reserve the right to make changes at any time without notice.

MANUFACTURER'S LIMITED WARRANTY FOR:



The limited warranty set forth below is given by Troy-Bilt LLC ("Troy-Bilt") with respect with new merchandise purchased and used in the United States, its possessions and territories.

Troy-Bilt warrants this product against defects in material and workmanship for a period of two (2) years commencing on the date of original purchase and will, at its option, repair or replace, free of charge, any part found to be defective in material or workmanship. This limited warranty shall only apply if this product has been operated and maintained in accordance with the Operator's Manual furnished with the product, and has not been subject to misuse, abuse, commercial use, neglect, accident, improper maintenance, alteration, vandalism, theft, fire, water or damage because of other peril or natural disaster. Damage resulting from the installation or use of any accessory or attachment not approved by Troy-Bilt for use with the product(s) covered by this manual will void your warranty as to any resulting damage.

This warranty is limited to ninety (90) days from the date of original retail purchase for any Troy-Bilt product that is used for rental or commercial purposes, or any other income-producing purpose.

HOW TO OBTAIN SERVICE: Warranty service is available, WITH PROOF OF PURCHASE THROUGH YOUR LOCAL AUTHORIZED SERVICE DEALER. To locate the dealer in your area, please check for a listing in the Yellow Pages or contact the Customer Service Department of Troy-Bilt by calling **1-800-828-5500** or writing to P.O. Box 361131, Cleveland OH 44136-0019 or if in Canada call **1-800-668-1238**. No product returned directly to the factory will be accepted unless prior written permission has been extended by the Customer Service Department of Troy-Bilt.

This limited warranty does not provide coverage in the following cases:

- A. Tune-ups - Spark Plugs, Carburetor Adjustments, Filters
- B. Wear items - Bump Knobs, Outer Spools, Cutting Line, Inner Reels, Starter Pulley, Starter Ropes, Drive Belts
- C. Troy-Bilt does not extend any warranty for products sold or exported outside of the United States of America, its possessions and territories, except those sold through Troy-Bilt's authorized channels of export distribution.

Troy-Bilt reserves the right to change or improve the design of any Troy-Bilt product without assuming any obligation to modify any product previously manufactured.

No implied warranty, including any implied warranty of merchantability or fitness for a particular purpose, applies after the applicable period of express written warranty above as to the parts as identified. No other express warranty or guaranty, whether written or oral, except as mentioned above, given by any person or entity, including a dealer or retailer, with respect to any product shall bind Troy-Bilt. During the period of the Warranty, the exclusive remedy is repair or replacement of the product as set forth above. (Some states do not allow limitations on how long an implied warranty lasts, so the above limitation may not apply to you.)

The provisions as set forth in this Warranty provide the sole and exclusive remedy arising from the sales. Troy-Bilt shall not be liable for incidental or consequential loss or damages including, without limitation, expenses incurred for substitute or replacement lawn care services, for transportation or for related expenses, or for rental expenses to temporarily replace a warranted product. (Some states do not allow limitations on how long an implied warranty lasts, so the above limitation may not apply to you.)

In no event shall recovery of any kind be greater than the amount of the purchase price of the product sold. Alteration of the safety features of the product shall void this Warranty. You assume the risk and liability for loss, damage, or injury to you and your property and/or to others and their property arising out of the use or misuse or inability to use the product.

This limited warranty shall not extend to anyone other than the original purchaser, original lessee or the person for whom it was purchased as a gift.

How State Law Relates to this Warranty: This warranty gives you specific legal rights, and you may also have other rights which vary from state to state.

To locate your nearest service dealer dial **1-800-828-5500** in the United States or **1-800-668-1238** in Canada.

Troy-Bilt LLC

P.O. Box 361131
Cleveland, OH 44136-0019



Manuel de L'utilisateur

Coupe-bordures à 4 temps à essence

TBE515

CONSERVEZ CES INSTRUCTIONS

Obtenez la liste des concessionnaires agréés appelez le **1-800-828-5500** aux États-Unis ou le **1-800-668-1238** au Canada. Pour de plus amples informations à propos de votre appareil, visitez www.troybilt.com.

NE RETOURNEZ PAS L'APPAREIL AU DÉTAILLANT CHEZ QUI VOUS L'AVEZ ACHETÉ. TOUT SERVICE SOUS GARANTIE NÉCESSITE UNE PREUVE D'ACHAT.

CE PRODUIT EST COUVERT PAR UN OU PLUSIEURS BREVETS AMÉRICAINS, ET D'AUTRES SONT EN INSTANCE.

Tout entretien effectué sur cet appareil pendant et après la période de garantie doit être fait par un concessionnaire agréé uniquement.

PARE-ÉTINCELLES

REMARQUE : à l'intention des utilisateurs opérant dans les terres forestières des États-Unis et dans les états de Californie, du Maine, de l'Orégon et de Washington. Toutes les terres forestières des États-Unis et de l'état de Californie (Codes sur les ressources publiques 4442 et 4443), de l'Orégon et de Washington exigent de par la loi que certains moteurs à combustion interne utilisés dans des zones couvertes de taillis ou d'herbe soient équipés d'un pare-étincelles en parfait état de fonctionnement, ou qu'ils soient conçus, équipés et entretenus pour la prévention des incendies. Renseignez-vous auprès des autorités de votre province ou de votre municipalité concernant la réglementation en vigueur. Vous pourriez être passible d'une amende ou être tenu responsable si vous ne respectez pas cette réglementation. Cet appareil est équipé d'un pare-étincelles en usine. **Si l'écran pare-étincelles, réf. 753-05297, doit être remplacé,** communiquez avec le service technique.

AVERTISSEMENT DE LA PROPOSITION 65 DE CALIFORNIE

	AVERTISSEMENT	
<p>LES GAZ D'ÉCHAPPEMENT DU MOTEUR DE CET APPAREIL CONTIENNENT DES PRODUITS CHIMIQUES CONSIDÉRÉS PAR L'ÉTAT DE CALIFORNIE COMME POUVANT CAUSER LE CANCER, DES MALFORMATIONS CONGÉNITALES OU D'AUTRES EFFETS NOCIFS SUR L'APPAREIL DE REPRODUCTION.</p>		

Toutes les informations, illustrations et spécifications contenues dans ce manuel tiennent compte des dernières informations techniques disponibles au moment de mettre sous presse. Nous nous réservons le droit d'y apporter des modifications à tout moment, sans préavis.

Copyright© 2007 MTD SOUTHWEST INC., Tous droits réservés.

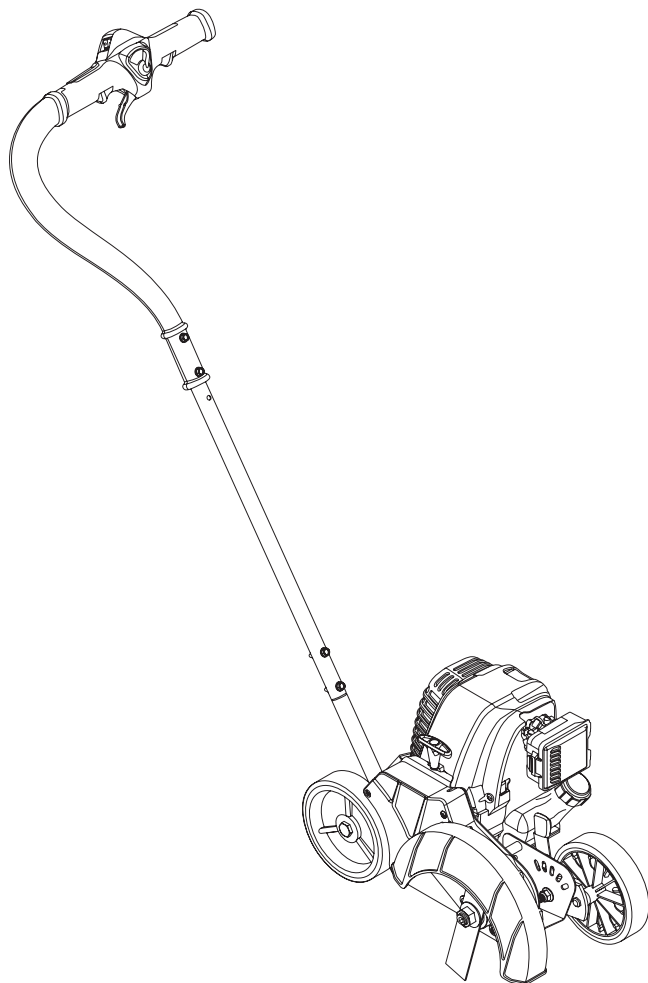


TABLE DES MATIÈRES

Service technique	F1
Consignes de sécurité	F2
Familiarisez-vous avec votre appareil	F4
Instructions de montage	F5
Informations sur l'huile et le carburant	F6
Instructions de démarrage et d'arrêt	F8
Mode d'emploi	F9
Entretien et réparations	F10
Nettoyage et entreposage	F13
Tableau de dépannage	F14
Caractéristiques	F15
Garantie	F16
Liste des pièces	E16



AVERTISSEMENT: Lorsque vous utilisez la machine, vous devez suivre les consignes de sécurité. Veuillez lire ces instructions avant d'opérer la machine pour vous assurer de la sécurité de l'opérateur et de tout spectateur. Veuillez conserver ces instructions pour un usage ultérieur.

• IMPORTANTES CONSIGNES DE SÉCURITÉ •

LISEZ TOUTES LES INSTRUCTIONS AVANT L'UTILISATION

- Prenez soin de bien lire et comprendre le manuel de l'appareil qui alimente cet accessoire.
- Veuillez lire le manuel de l'utilisateur attentivement. Familiarisez-vous avec les commandes et l'utilisation correcte de l'appareil. Sachez comment arrêter l'appareil et désactiver les commandes rapidement.
- N'utilisez pas l'appareil si vous êtes fatigué, malade ou sous l'effet de l'alcool, de drogues ou de médicaments.
- Ne laissez pas les enfants faire fonctionner l'appareil. Ne laissez jamais des adultes qui ne se sont pas familiarisés avec les instructions utiliser l'appareil. Ne laissez jamais des adultes n'ayant jamais reçu les instructions nécessaires faire fonctionner l'appareil.
- Tous les accessoires de sécurité et protections doivent être correctement installés avant d'utiliser cet appareil.
- Inspectez l'appareil avant utilisation. Assurez-vous que la lame est bien mise.
- Dégagez la zone de coupe avant chaque usage. Enlevez tous les objets pouvant être projetés ou happés par le lame de coupe : cailloux, verre brisé, clous, fil ou ficelle.

AVERTISSEMENTS SPÉCIAUX DE SÉCURITÉ POUR COUPE-BORDURES

- Ne stockez le carburant que dans des contenants conçus et homologués pour stocker ces matières.



AVERTISSEMENT : l'essence est extrêmement inflammable et ses vapeurs peuvent exploser si on y met le feu. Veuillez prendre les précautions suivantes :

- Arrêtez toujours le moteur et laissez-le refroidir avant de remplir le réservoir. N'enlevez jamais le bouchon du réservoir et n'ajoutez jamais de carburant alors que le moteur est chaud. Ne faites jamais marcher l'appareil sans que le bouchon soit bien mis. Desserrez celui-ci lentement afin de réduire la pression du réservoir.
- Mélangez et ajoutez le carburant dans un endroit aéré et propre, en plein air, à l'abri des étincelles ou des flammes. N'enlevez lentement le bouchon du réservoir d'essence qu'après avoir arrêté le moteur. Ne fumez pas pendant le remplissage ou le mélange de carburant. Essuyez immédiatement tout déversement.
- Évitez de mettre le feu au carburant déversé. Ne démarrez pas le moteur avant que les vapeurs de carburant ne se soient dissipées.
- Éloignez l'appareil d'au moins 9,1 m (30 pi) de la source et du site de ravitaillement en carburant avant de démarrer le moteur. Ne fumez pas et éloignez toute source d'étincelles ou de flammes vives du lieu de ravitaillement ou de fonctionnement de l'appareil.
- Évitez de démarrer ou de faire marcher l'appareil à l'intérieur d'une pièce ou d'un bâtiment fermé. La respiration de fumées d'échappement peut tuer. Ne faites marcher l'appareil qu'à l'extérieur, dans un lieu aéré.

PENDANT L'UTILISATION DE L'APPAREIL

- Tenez les visiteurs, surtout les enfants et les animaux familiers à une distance d'au moins 15 m (50 pi).
- Portez des lunettes de sécurité conformes aux normes ANSI Z87.1 ainsi que des protège-oreilles durant l'utilisation de l'appareil. Portez un masque facial ou antipoussières si vous travaillez dans un lieu poussiéreux.
- Portez des pantalons épais et longs, des bottes, des gants et une chemise à manches longues. Ne marchez pas pieds nus et évitez les vêtements lâches, bijoux, pantalons courts et sandales. Relevez les cheveux au-dessus des épaules.
- N'utilisez l'appareil qu'en plein jour ou avec un bon éclairage artificiel.
- Utilisez les outils appropriés. N'employez l'outil que pour son usage prévu.
- Ne forcez pas l'appareil. Il fonctionnera mieux et posera moins de risques de blessures à la vitesse pour laquelle il a été conçu.
- Soyez très prudent lorsque vous faites marche arrière ou que vous tirez l'appareil vers vous.
- Ne vous étirez pas et faites très attention lorsque vous travaillez sur des pentes ou inclinaisons abruptes. Tenez-

- vous toujours bien campé, en position d'équilibre.
- Tenez toujours l'appareil des deux mains lorsqu'il est en marche. Agrippez fermement les poignées avant et arrière.
- Gardez les mains, le visage et les pieds éloignés des pièces mobiles. Ne touchez pas et n'essayez pas d'arrêter la lame en rotation. Ne faites pas fonctionner l'appareil sans les protections.
- La lame continue de tourner à vide une fois le moteur éteint et peut causer des blessures graves. Gardez le contrôle jusqu'à ce qu'elle soit immobilisée.
- Arrêtez toujours l'appareil si vous suspendez la coupe ou si vous vous déplacez d'un lieu de travail vers un autre.
- Arrêtez le moteur en cas d'entretien, de réparation, d'installation ou de retrait de la lame. L'appareil et la lame doivent être arrêtés pour éviter toute blessure.
- La lame peut devenir très aiguisée à l'usage. Portez toujours des gants lorsque vous manipulez, retirez, installez ou nettoyez la lame.
- Si vous heurtez ou happez un corps étranger, arrêtez le moteur immédiatement et vérifiez que rien n'a été endommagé. Réparez tout dommage éventuel avant de poursuivre le travail. N'utilisez pas l'appareil si la lame est tordue, fendillée ou émoussée. Jetez toute lame tordue, fendillée ou émoussée.
- Arrêtez le moteur IMMÉDIATEMENT si vous ressentez une vibration excessive car cela indique un problème. Vérifiez qu'il n'y a ni écrous ni boulons desserrés, ni aucun dommage avant de continuer. Réparez ou remplacez les pièces affectées au besoin.
- Arrêtez et éteignez l'appareil dans ces cas-ci : entretien, réparation, changement d'accessoires ou autres.
- Gardez l'appareil exempt d'accumulation de végétation ou autres matières. Celles-ci peuvent rester logées entre la lame, la boîte d'engrenages ou le protecteur.
- La lame continue de tourner à vide une fois l'appareil éteint et peut causer des blessures. Gardez le contrôle jusqu'à ce qu'elle soit immobilisée.
- N'utilisez que des pièces de rechange et accessoires d'usine pour cet appareil. Ils sont disponibles auprès de votre concessionnaire agréé. L'utilisation de toutes pièces ou de tous accessoires non-autorisés peut entraîner des blessures graves ou des dommages à l'appareil et l'annulation de votre garantie.

ENTRETIEN ET ENTREPOSAGE

- Laissez le moteur se refroidir avant de l'entreposer ou de le transporter. Attachez bien l'appareil pendant le transport.
- Rangez l'appareil dans un endroit verrouillé et sec, ou élevé et sec, hors de portée des enfants, pour éviter une utilisation indésirable ou un accident.
- Nettoyez la lame en l'arrosant d'eau avec un tuyau. Essuyez ensuite la lame avec une huile mécanique légère pour éviter la rouille.
- Ne trempez et n'arrosez jamais l'appareil avec de l'eau ou tout autre liquide. Gardez les poignées sèches, propres et exemptes de débris. Nettoyez après chaque usage. Voir les sections Nettoyage et Entreposage.
- Conservez ces instructions. Consultez-les souvent et servez-vous en pour instruire d'autres usagers. Si vous prêtez l'appareil à quelqu'un, prêtez-lui également ces instructions.
- Les réparations ou les procédures d'entretien qui ne sont pas décrites dans le manuel doivent être strictement confiées à des techniciens qualifiés.
- Vérifiez à intervalles fréquents que les boulons des forces à tondre et les boulons de montage du moteur et autres sont bien serrés afin de vous assurer que l'équipement fonctionne correctement.
- À l'intérieur d'un bâtiment, rangez l'appareil à l'écart des sources d'allumage. Laissez le moteur refroidir avant de l'entreposer dans une enceinte.
- Consultez toujours les instructions du mode d'emploi pour des renseignements importants si vous allez ranger le coupe-bordure pour une période prolongée.
- N'essayez pas de réparer l'appareil à moins de disposer des outils appropriés et des instructions de démontage et de réparation de la machine.

CONSERVEZ CES INSTRUCTIONS

CONSIGNES DE SÉCURITÉ

SYMBOLES DE SÉCURITÉ ET INTERNATIONAUX

Ce manuel de l'utilisateur décrit les symboles et pictogrammes de sécurité et internationaux pouvant apparaître sur ce produit. Consultez le manuel de l'utilisateur pour les informations concernant la sécurité, le montage, le fonctionnement, l'entretien et les réparations.

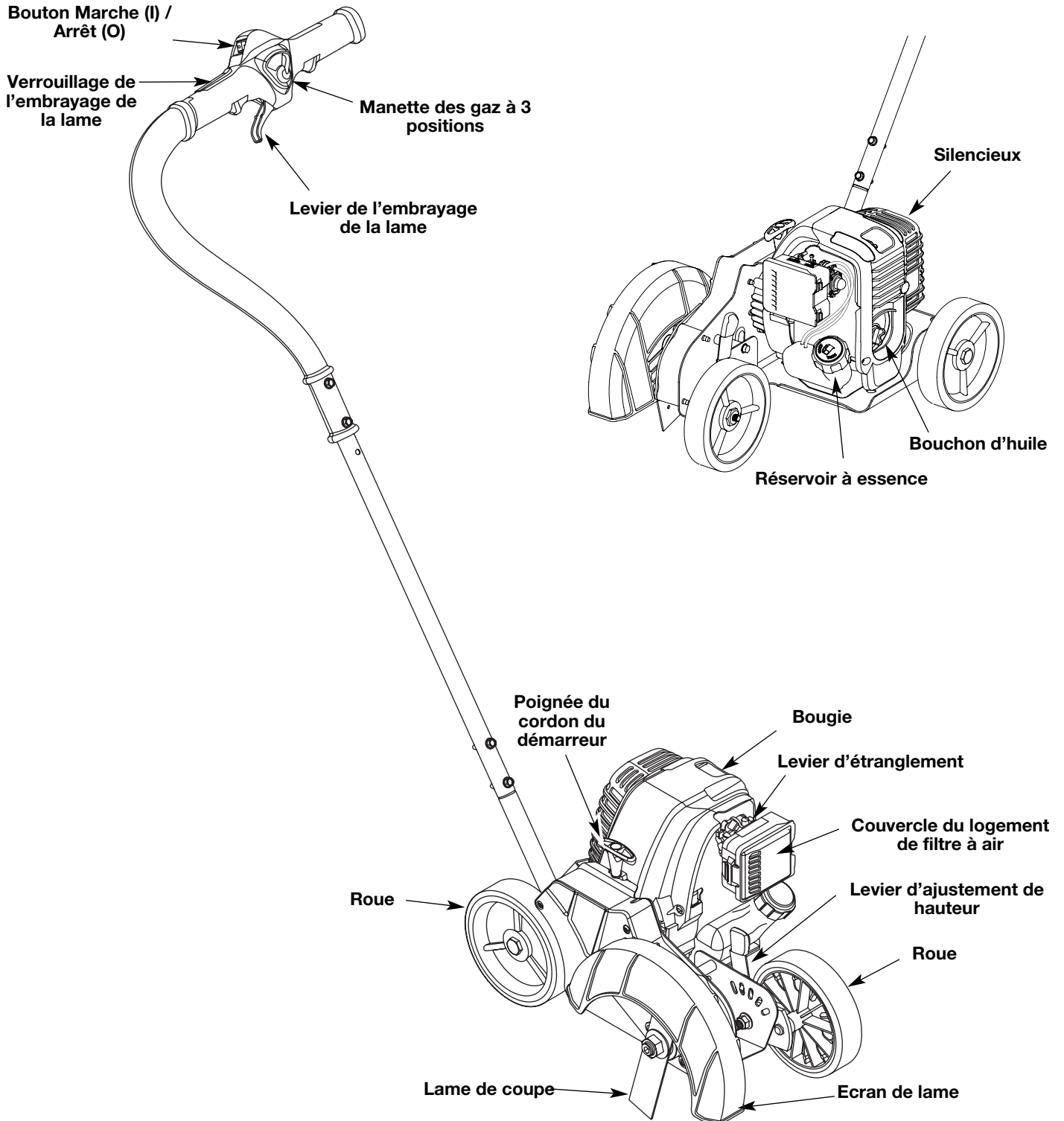
SYMBOLE	SIGNIFICATION
	<ul style="list-style-type: none">• SYMBOLE ALERTE DE SÉCURITÉ Indique un danger, un avertissement ou une mise en garde. Ce symbole peut être combiné à d'autres symboles ou pictogrammes.
	<ul style="list-style-type: none">• LISEZ LE MANUEL DE L'UTILISATEUR AVERTISSEMENT - Lisez le manuel de l'utilisateur et suivez tous les avertissements et consignes de sécurité. Vous pourriez à défaut entraîner des blessures graves pour vous ou d'autres personnes.
	<ul style="list-style-type: none">• PORTEZ DES PROTECTIONS (YEUX ET OREILLES) AVERTISSEMENT: les objets projetés et les bruits forts peuvent endommager la vue et l'ouïe. Portez une visière de norme ANSI Z87.1-1989 et des protège-oreilles pendant l'utilisation.
	<ul style="list-style-type: none">• CARBURANT SANS PLOMB Utilisez toujours du carburant sans plomb frais et propre.
	<ul style="list-style-type: none">• NIVEAU D'HUILE Voir le manuel de l'utilisateur pour le type d'huile approprié.
	<ul style="list-style-type: none">• ÉLOIGNEZ LES SPECTATEURS AVERTISSEMENT: éloignez tout spectateur, les enfants et les animaux domestiques en particulier, d'au moins 15 m (50 pi) de la zone de coupe.

SYMBOLE	SIGNIFICATION
	<ul style="list-style-type: none">• COMMANDE MARCHE/ARRÊT ALLUMAGE / DÉMARRAGE / MARCHE
	<ul style="list-style-type: none">• COMMANDE MARCHE/ARRÊT ARRÊT ou STOP
	<ul style="list-style-type: none">• AVERTISSEMENT SURFACE CHAUDE Ne touchez pas un silencieux ou un cylindre chaud. Vous pourriez vous brûler. Ces pièces deviennent très chaudes à l'utilisation. Elles restent chaudes brièvement après l'arrêt.
	<ul style="list-style-type: none">• LES OBJETS PROJETÉS ET LA TÊTE ROTATIVE PEUVENT CAUSER DES BLESSURES GRAVES AVERTISSEMENT: ne faites pas fonctionner sans protecteur de sécurité en plastique. Tenez-vous à l'écart de la lame de coupe rotatif.
	<ul style="list-style-type: none">• CONTRÔLE DE L'ÉTRANGLEUR A. Position d'ÉTRANGLEMENT MAXIMUM B. Position d'ÉTRANGLEMENT PARTIEL C. Position MARCHE.
	<ul style="list-style-type: none">• COUPE-BORDURES – LA LAME EN ROTATION PEUT CAUSER DE GRAVES BLESSURES MISE EN GARDE : Couper le moteur et laisser la lame s'arrêter avant de la retirer, ou avant d'entreprendre le nettoyage ou l'entretien de l'appareil. Garder les mains et les pieds à distance de la lame en rotation.

FAMILIARISEZ-VOUS AVEC L'APPAREIL

APPLICATIONS

- La coupe le long des chemins, des sorties de garage, des zones rocailleuses, etc.



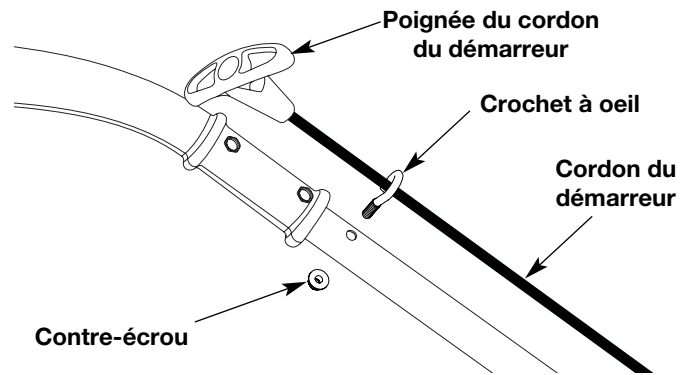
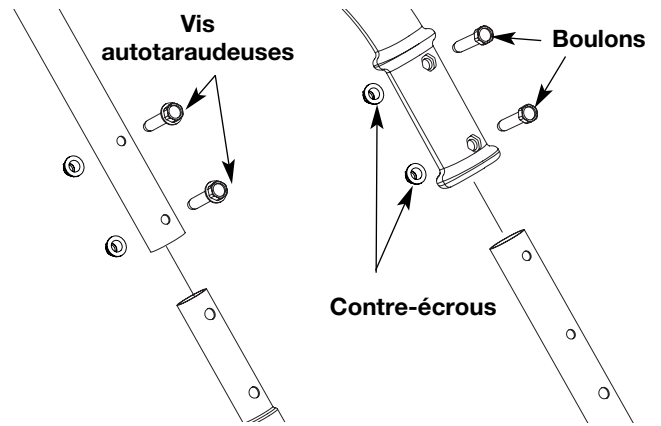
INSTRUCTIONS DE MONTAGE

ASSEMBLAGE DU MANCHE

1. Sortir l'appareil du carton.
2. Placer l'extrémité à deux trous du manche droit en métal sur la base du manche sur l'appareil et aligner les trous (Fig. 1).
3. Insérer les deux vis autotaraudeuses (1/4" x 1-1/4") dans ces trous (Fig. 1).
4. Utiliser une clef de 3/8" et bien serrer chaque vis autotaraudeuse dans le manche. **NE PAS SERRER TROP FORT.**
5. Insérer le manche de contrôle dans l'extrémité à trois trous du manche droit en métal et aligner les trous du manche de contrôle avec les deux trous de l'extrémité du manche droit en métal (Fig. 2).

REMARQUE : Puisque les câbles de contrôle ont été préinstallés, installez le manche de contrôle avec soin afin de ne pas couper ou forcer sur les câbles. Cela peut les endommager et entraîner leur défaillance.

6. Disposer deux vis (1/4" x 1-1/2") dans les trous hexagonaux renforcés situés sur le manche (Fig. 2) et maintenez-les en place.
7. Visser à la main les contre-écrous sur ces boulons.
8. En utilisant une clef de 7/16", bien serrer chaque contre-écrou sur chaque boulon.
9. Tirer sur le cordon du démarreur et le faire passer dans le crochet à œil (Fig. 3).
10. Insérer le crochet à œil dans le trou restant situé sur le manche droit en métal (Fig. 3).
11. Visser l'écrou sur le crochet à œil (Fig. 3) à l'aide d'une clef de 7/16". **NE PAS SERRER TROP FORT.**
12. En utilisant l'attache fournie dans le sachet de pièces, attacher les câbles sur le manche droit en métal, à mi-chemin entre le crochet à œil et le logement du moteur.





WARNING: LE REMPLISSAGE EXCESSIF DU CARTER-MOTEUR PEUT ANTRAÎNER DES BLESSURES GRAVES. Nous ne saurions trop insister sur l'importance de la vérification du niveau d'huile du carter-moteur et de son maintien. Vérifiez l'huile avant chaque utilisation et changez-la au besoin tel qu'indiqué dans la section *Changement d'Huile*.

TYPE D'HUILE RECOMMANDÉ

Il est extrêmement important d'utiliser les bons type et indice d'huile dans le carter-moteur. Vérifiez l'huile avant chaque utilisation et changez-la périodiquement. Le fait de ne pas utiliser la bonne huile ou d'utiliser une huile sale peut entraîner une usure et une défaillance prématurées du moteur.

Utilisez une huile de haute qualité à indice SAE 30 API (American Petroleum Institute) de type SG, SF, SH.

AJOUT D'HUILE AU CARTER: MISE EN SERVICE

REMARQUE : cet appareil est livré sans huile. Pour éviter d'endommager l'appareil, mettez de l'huile dans le carter moteur avant le démarrage.

Votre appareil est livré avec une bouteille d'huile SAE 30 SF, SG, SH de 90 ml (3,04 oz) (Fig. 4).

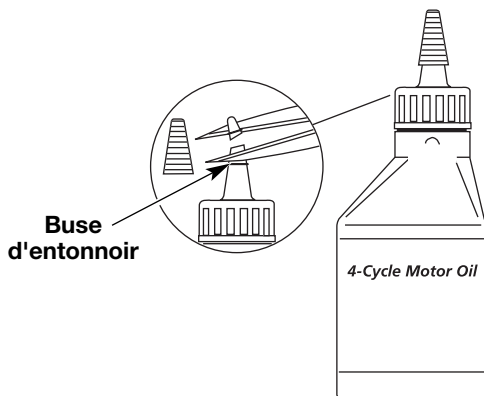


Fig. 4

REMARQUE : conservez la bouteille pour mesurer correctement la quantité nécessaire d'huile plus tard. Voir *Changement d'huile*.

1. Dévisser le bouchon de la bouteille d'huile et retirez le papier couvrant l'ouverture. Remplacez le bouchon. Coupez la pointe de la buse de l'entonnoir (Fig. 4).
2. Placez l'appareil sur une surface horizontale plane.
3. Retirez le bouchon / la jauge d'huile du carter-moteur (Fig. 5).

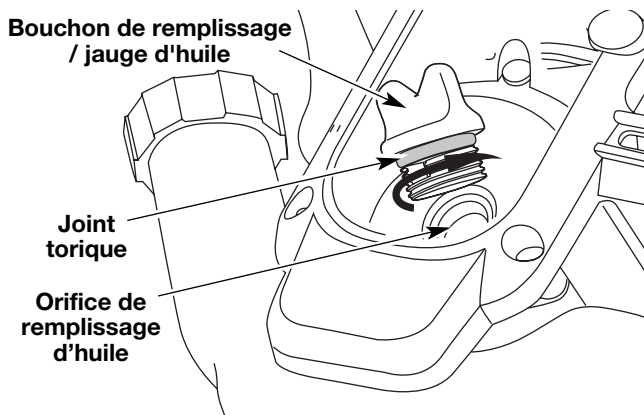


Fig. 5

4. Versez tout le contenu de la bouteille d'huile dans le carter-moteur (Fig. 6).

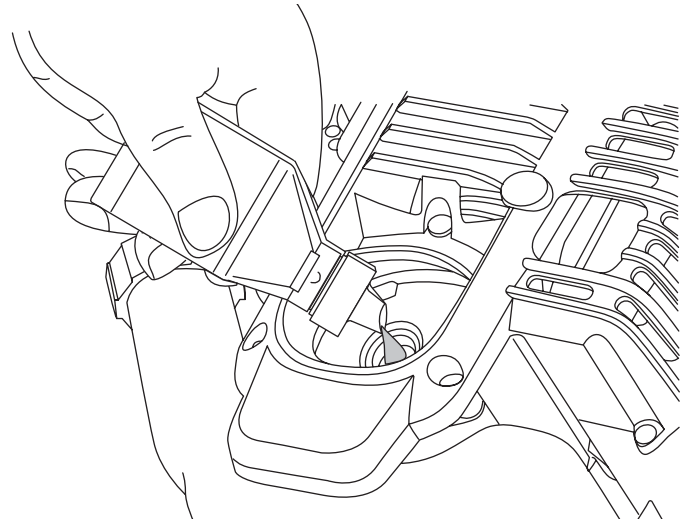


Fig. 6

REMARQUE : n'ajoutez jamais d'huile au essence ni au réservoir d'essence.

5. Essuyez toute trace d'huile déversée et remplacez le bouchon de remplissage / la jauge.

Nous ne saurions trop insister sur l'importance de la vérification du niveau d'huile du carter-moteur et de son maintien. Vérifiez l'huile avant chaque utilisation et changez-la au besoin tel qu'indiqué dans la section *Changement d'Huile*.

TYPE CARBURANT RECOMMANDÉ

En général, si l'appareil ne fonctionne pas correctement, c'est que l'essence est vieux. Prenez soin d'utiliser d'essence sans plomb frais et propre.

REMARQUE : ceci est un moteur à quatre temps. Pour éviter d'endommager l'appareil, **ne mélangez pas l'huile avec l'essence.**

Définition des carburants mélangés

Les carburants d'aujourd'hui sont souvent un mélange d'essence et d'oxygénés comme l'éthanol, le méthanol ou l'éther MTBE. Un carburant mélangé à l'alcool absorbe l'eau. Il suffit de 1% d'eau pour séparer le carburant et l'huile, ce qui forme de l'acide pendant l'entreposage. Si vous devez utiliser ce type de carburant, servez-vous de carburant frais (moins de 60 jours).

Usage de carburants mélangés

Si vous choisissez d'utiliser ou ne pouvez éviter d'utiliser un carburant mélangé, suivez les conseils suivants :

- Utilisez toujours un essence frais selon le manuel de l'utilisateur.
- Utilisez l'additif STA-BIL^{MD} ou un produit équivalent.
- Videz le réservoir et faites marcher le moteur jusqu'à ce qu'il soit à sec avant d'entreposer l'appareil.

Utilisation d'additifs de carburant

L'utilisation d'additifs de carburant tel que le stabilisant d'essence STA-BIL^{MD} ou un produit équivalent permet d'empêcher la corrosion et de minimiser la formation de résidus de gomme. L'usage d'additifs peut empêcher le carburant de former des dépôts nocifs dans le carburateur pendant six (6) mois maximum. Ajoutez 23 ml (0,8 oz) d'additif par 4 litres (1 gallon) de carburant selon les instructions du récipient. N'ajoutez JAMAIS d'additifs directement dans le réservoir de l'appareil.

INFORMATIONS SUR L'HUILE ET LE CARBURANT

AJOUR DE CARBURANT



AVERTISSEMENT : Ajoutez d'essence dans un lieu propre et bien aéré en plein air. Essuyez immédiatement tout déversement d'essence. Évitez de mettre le feu au essence déversé. Ne démarrez pas le moteur avant dissipation des vapeurs d'essence.



AVERTISSEMENT : L'essence est extrêmement inflammable et les vapeurs qui s'en dégagent peuvent exploser si on y met le feu. Arrêtez toujours le moteur et laissez-le refroidir avant de remplir le réservoir. Ne fumez pas en remplissant le réservoir. Éloignez toute source d'étincelles ou de flammes vives de la zone.

1. Déposez le bouchon à essence.



AVERTISSEMENT : Enlevez le bouchon du réservoir lentement pour ne pas être blessé par les jets d'essence. Ne faites pas marcher l'appareil sans que le bouchon soit bien mis.

2. Placez le bec du récipient d'essence dans l'orifice du réservoir et remplissez celui-ci.

REMARQUE : Remplissez ou ajoutez d'essence dans le réservoir uniquement lorsque le coupe-bordures est en le position horizontale (Fig. 9).

REMARQUE : Ne remplissez pas trop le réservoir.

3. Essuyez tout déversement d'essence.
4. Remettez le bouchon du réservoir.
5. Éloignez l'appareil d'au moins 9,1 m (30 pi) de la source et du site de ravitaillement en essence avant de démarrer le moteur.

REMARQUE : Éliminez le vieux essence conformément aux règlements fédéral, provincial et municipal en vigueur.

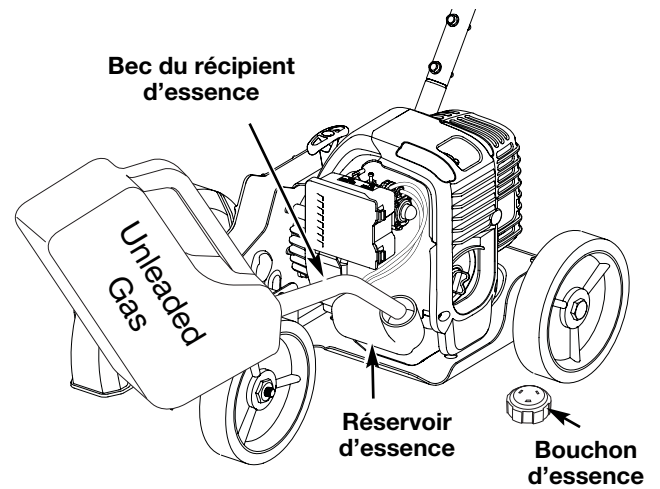


Fig. 7

INSTRUCTIONS DE DÉMARRAGE ET ARRÊT



AVERTISSEMENT : n'utiliser l'outil qu'à l'extérieur, dans un endroit bien aéré. Les émanations d'oxyde de carbone dans un endroit confiné peuvent être mortelles.



AVERTISSEMENT : éviter le démarrage accidentel. Se tenir en position de démarrage pour lancer le moteur (Fig. 12). Lors du démarrage, l'opérateur et l'outil doivent être en position d'équilibre afin d'éviter le risque de blessures graves.

CONSIGNES POUR LE DEMARRAGE

1. Vérifier le niveau d'huile dans le carter-moteur. Consulter la section « Vérifier le niveau d'huile ».
2. Remplir le réservoir d'essence avec du carburant propre et sans plomb. Consulter la section Faire le plein de l'appareil.

REMARQUE : Il est inutile de mettre l'appareil en marche. La commande On/Off est sur la position ON (1) en permanence (Fig. 8).

3. Appuyer sur la pompe d'amorce dix fois de suite. Une certaine quantité de **carburant devrait être visible dans l'amorce et des tuyaux de carburant** (Fig. 9). Si vous ne voyez pas de carburant dans la pompe, appuyez dessus autant de fois de suite que nécessaire jusqu'à ce que vous en voyiez arriver dans l'amorce.
4. Mettre le levier d'étranglement en **position 1** (Fig. 10).
5. Se placer en position de démarrage (Fig. 11). Mettre le levier de la manette des gaz en position Rapide (R) (Fig. 8) et tirer sur le cordon du démarreur d'un coup sec cinq fois de suite.
6. Mettre le levier d'étranglement en **position 2** (Fig. 10).
7. Tirer sur le cordon du démarreur d'un coup sec jusqu'à 4 fois de suite pour démarrer le moteur.
8. Laisser tourner le moteur de 15 à 30 secondes.
9. Mettre le levier d'étranglement en **position 3** (Fig. 10). L'appareil est prêt à être utilisé.

Si... le moteur ne démarre pas, retourner à l'étape 3.

Si... le moteur ne démarre pas après plusieurs tentatives, mettre le levier d'étranglement en Position 3, mettre le levier de la manette des gaz en position Rapide (R). Tirer sur le cordon du démarreur d'un coup sec de 3 à 8 fois de suite. Le moteur devrait démarrer. Dans le cas contraire, recommencer.

CONSIGNES POUR ARRETER L'APPAREIL

1. Relâcher le verrouillage de l'embrayage de la lame et le levier d'embrayage de la lame, et mettre le levier de la manette des gaz en position Lent (L). Laisser le moteur refroidir en le faisant tourner au ralenti.
2. Appuyer et maintenir la commande Marche/Arrêt enfoncée en position ARRÊT (O) jusqu'à ce que le moteur soit complètement arrêté (Fig. 8).

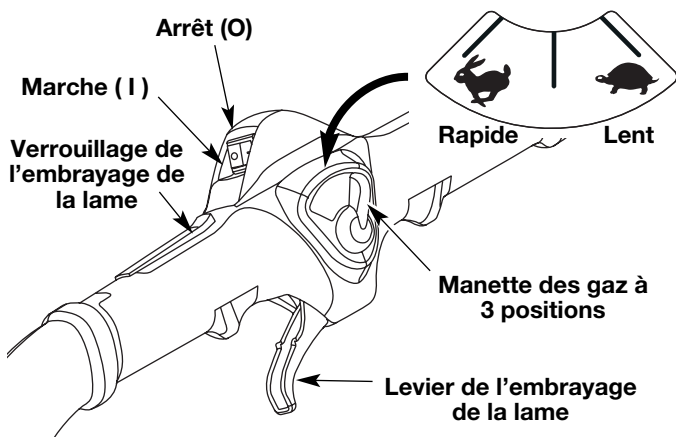


Fig. 8

Levier d'étranglement Pompe d'amorce

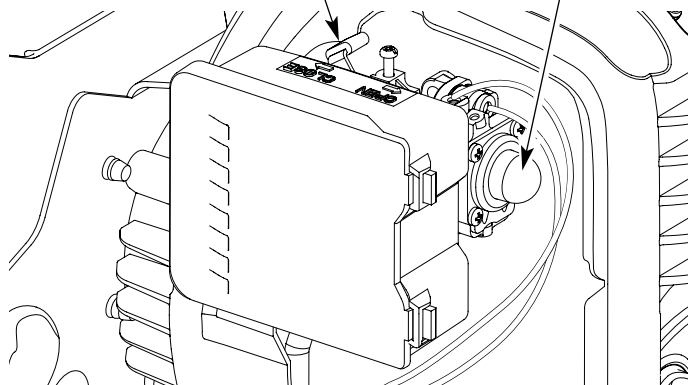


Fig. 9

Levier d'étranglement

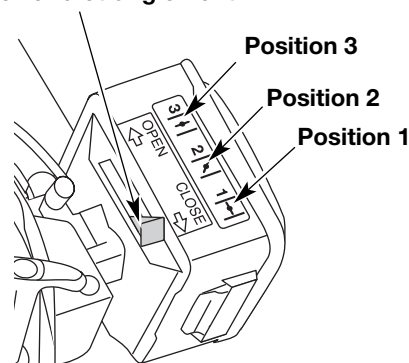


Fig. 10

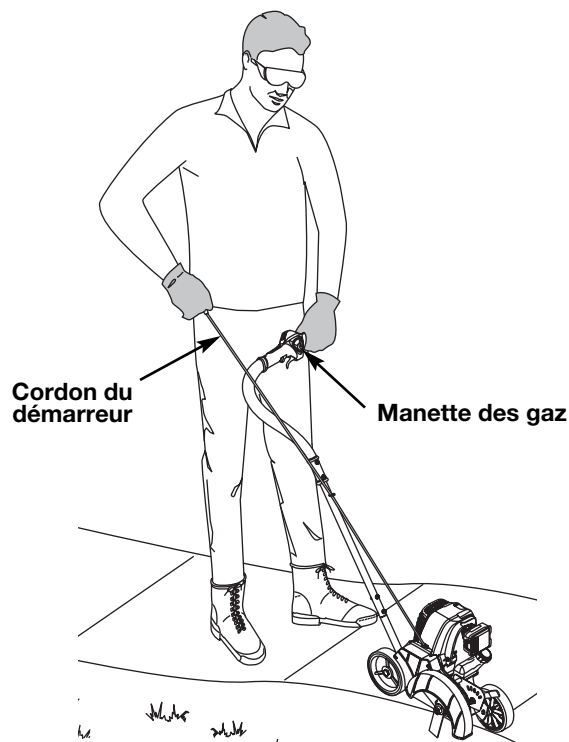


Fig. 11

COMMENT TENIR L'APPAREIL



MISE EN GARDE : portez toujours des lunettes de sécurité, des bouchons antibruit, et des protections pour le corps et les pieds pour réduire les risques de blessures lors de l'utilisation de l'appareil.

Avant de démarrer l'appareil, placez-vous en position de démarrage (Fig. 12). Vérifier que les consignes suivantes ont été respectées :

- L'utilisateur porte des lunettes de sécurité et une tenue appropriée.
- Les deux mains tiennent le manche fermement.
- La roue du coupe-bordures est ajustée pour une bonne hauteur de coupe, tel que le montre la Figure 13, et le coupe-bordures est positionné comme sur la Figure 12.

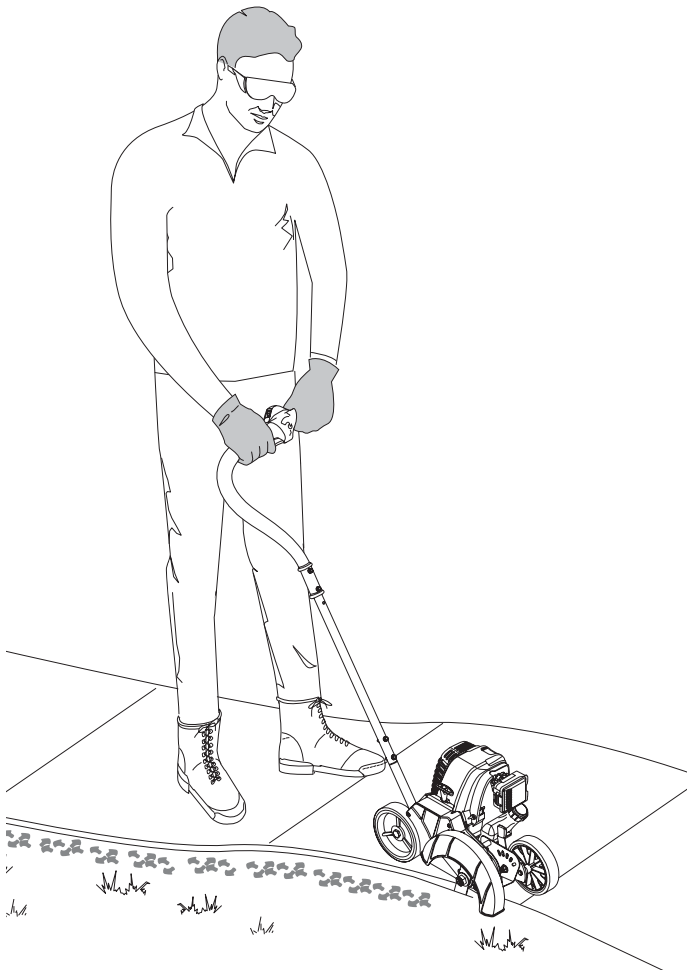


Fig. 12

AJUSTER LA HAUTEUR DE COUPE DU COUPE-BORDURES

1. Saisir le levier d'ajustement de hauteur situé sur le côté de la roue avant (Fig. 13).
2. Pour surélever la lame de coupe, pousser le levier vers l'avant du support de la roue. (Fig. 13). Le fait d'abaisser la roue réduit la hauteur de coupe.
3. Pour abaisser la lame de coupe, pousser le levier vers l'arrière du support de la roue. Le fait de surélever la roue augmente la hauteur de coupe..

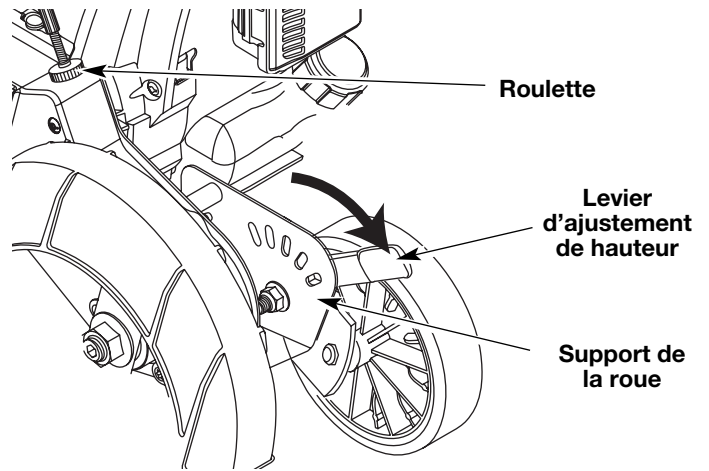


Fig. 13

CONSEILS POUR OPTIMISER L'UTILISATION DU COUPE-BORDURES

- Ne pas forcer le coupe-bordures. Régler l'appareil sur une hauteur de coupe assez élevée, (pas moins de 7 po par passage), puis repasser la zone avec une hauteur inférieure.
- Passer le coupe-bordures lentement, à un rythme régulier.
- Vérifier l'état de la lame. Avec l'usure, le lame de coupe rétrécit, réduisant ainsi la performance de la hauteur de coupe. Remplacer la lame par une neuve lorsqu'elle s'émousse jusqu'aux trous de délimitation d'usure (Fig. 14).

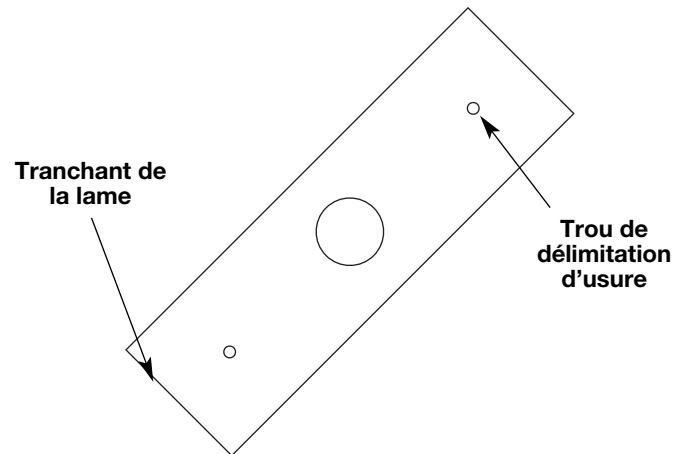


Fig. 14

AJUSTER LA TENSION DE LA COURROIE

Si la lame ne tourne plus alors que vous verrouillez l'embrayage et appuyez sur le levier d'embrayage de la lame :

1. Localisez la roulette située au dessus du logement de la courroie (Fig. 13).
2. Tournez-la afin d'effectuer un tour entier dans le sens des aiguilles afin d'augmenter la tension de la courroie.
3. Essayez de relâcher le verrouillage de l'embrayage et le levier d'embrayage de la lame pour voir si la lame tourne. Dans la négative, répétez l'étape 2 jusqu'à ce que la lame tourne.

ENTRETIEN ET RÉPARATIONS



AVERTISSEMENT : Afin d'éviter les blessures graves, n'effectuez jamais de réparation ou n'entretenez jamais l'appareil lorsqu'il est en fonctionnement. Les réparations et l'entretien doivent toujours être effectués lorsque l'appareil est froid. Déconnectez le fil de la bougie pour vous assurer que l'appareil ne se mette pas en marche.

CALENDRIER D'ENTRETIEN

Effectuez les étapes d'entretien obligatoires en suivant le tableau d'entretien. Ces procédures devraient avoir lieu en début de saison.

REMARQUE : Certaines procédures d'entretien peuvent nécessiter des outils ou compétences spécifiques. Si vous n'êtes pas certain d'être capable d'effectuer ces procédures, emmenez l'appareil dans un magasin Troy-Bilt ou chez un concessionnaire agréé.

FRÉQUENCE	ENTRETIEN REQUIS	RÉFÉRENCE
Avant de démarrer le moteur	Remplissez le réservoir de carburant frais Vérifiez l'huile	Page F6 Page F11
Toutes les 10 heures	Nettoyez le filtre à air et lubrifiez-le de nouveau	Page F11
1ère vidange après 10 heures 2ème vidange après 25 heures Toutes les 25 heures après	Changez l'huile Changez l'huile Nettoyez le pare-étincelles	Page F11 Page F11 Page F13
1ère vidange après 10 heures 2ème vidange après 25 heures Toutes les 25 heures après	Vérifier l'espacement culbuteur de soupape et l'ajuster si nécessaire Vérifier l'espacement culbuteur de soupape et l'ajuster si nécessaire Vérifier l'état de la bougie ainsi que l'espacement de cette dernière	Page F12 Page F12 Page F13

REMPACEMENT DE LA LAME



AVERTISSEMENT : Afin d'éviter les blessures graves, portez toujours des gants lors du maniement, du démontage ou de l'installation d'une lame.

- Placez une clef Allen de 5/16" dans le trou de l'axe (Fig. 15).
- Tout en tenant la clef Allen en place, dévisser l'écrou avec une clef de 15/16" en le dévissant dans le sens inverse des aiguilles d'une montre. (Fig. 15).

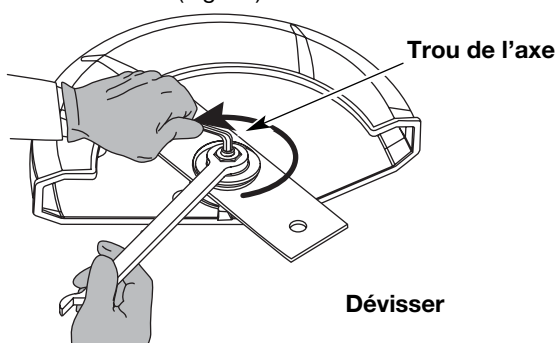


Fig. 15

- Retirer l'écrou et la lame. Conserver l'écrou pour l'installation de la nouvelle lame.
- Installer la nouvelle lame et l'écrou (Fig. 16).

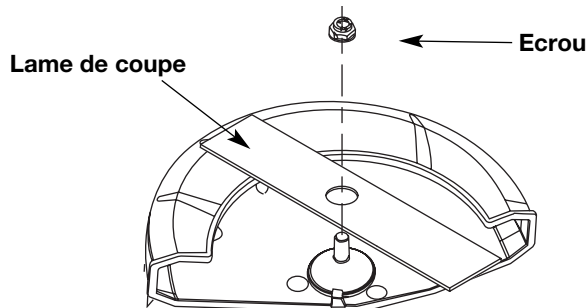


Fig. 16

REMARQUE : L'entretien, le remplacement, ou la réparation des dispositifs et systèmes de commande peuvent être effectués dans un magasin Troy-Bilt ou chez un concessionnaire agréé.

Afin d'assurer la performance optimale de votre moteur, l'inspection du système d'échappement du moteur peut s'avérer nécessaire après 50 heures d'utilisation. Si vous observez une baisse de régime du moteur, une baisse de performance ou une accélération moins prononcée, de telles mesures peuvent s'avérer nécessaires. Si vous pensez que le moteur a besoin d'être inspecté, emmenez votre appareil à réparer dans un magasin Troy-Bilt ou chez un concessionnaire agréé. **NE PAS** essayer d'effectuer ces procédures vous-même car une panne de moteur peut être due à des agents contaminants liés au nettoyage de la voie d'échappement.

- Tout en maintenant la clef Allen dans le trou de l'axe, bien serrer l'écrou en tournant la clef dans le sens des aiguilles d'une montre. (Fig. 17).

REMARQUE : Pendant l'installation de la lame, assurez-vous qu'elle reste sur un plan horizontal et centrée par rapport à l'arbre de sortie.

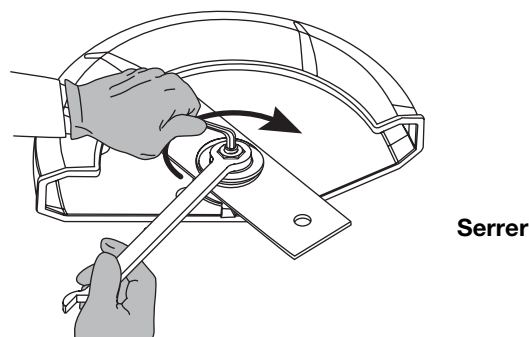


Fig. 17



AVERTISSEMENT : Une fois l'écrou serré, vérifier que la lame est sur un plan horizontal par rapport à l'arbre de sortie. Si la lame est décentrée, l'appareil peut être endommagé suite à l'émission de vibrations, et la lame peut être projetée, ce qui peut entraîner de graves blessures.

ACCESSOIRES/PIECES DE RECHANGE

Lame 753-05562
 Eccrou 753-05549
 Utiliser uniquement les pièces de rechange Troy-Bilt.

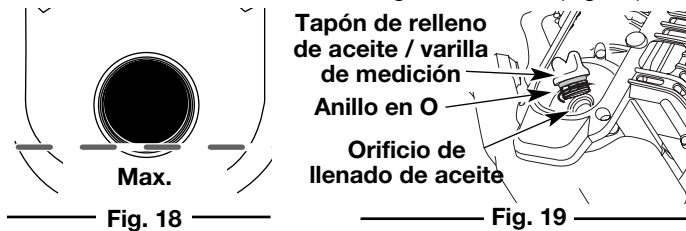
VÉRIFICATION DU NIVEAU D'HUILE

Nous ne saurions trop insister sur l'importance de la vérification du niveau d'huile du carter moteur et de son maintien. Vérifiez l'huile avant chaque utilisation :

1. Arrêtez le moteur et laissez l'huile s'écouler dans le carter moteur.
2. Placez l'appareil sur une surface plane pour que le cultivateur soit en position horizontale afin de relever correctement le niveau d'huile.
3. Empêchez l'accumulation de saleté, de résidus de coupe, etc. dans le moteur. Nettoyez la zone autour du bouchon / jauge d'huile avant de le retirer.
4. Retirez le bouchon / jauge d'huile et essuyez toute trace d'huile. Remplacez-le en l'enfonçant bien.
5. Retirez le bouchon de remplissage / jauge d'huile et vérifiez le niveau d'huile. L'huile devrait atteindre le haut de la jauge (Fig. 18).
6. Si le niveau est trop bas, ajoutez un peu d'huile par l'orifice et revérifiez (Fig. 21). Continuez jusqu'à ce que le niveau d'huile atteigne le haut de la jauge.

REMARQUE: Ne remplissez pas trop l'appareil.

REMARQUE: Assurez-vous que le joint torique est mis sur le bouchon de remplissage / jauge d'huile au moment de la vérification et du changement d'huile (Fig. 19).

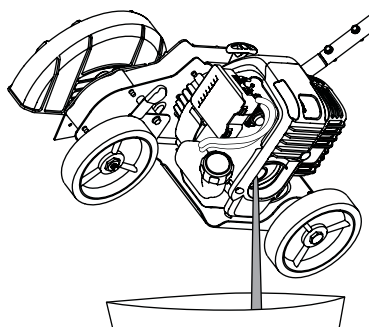


CHANGEMENT D'HUILE

Si le moteur est neuf, changez l'huile après les 10 premières heures d'utilisation. Mieux vaut changer l'huile lorsque le moteur est encore chaud. Cela lui permet de s'écouler librement et d'emporter les impuretés.

MISE EN GARDE : Portez toujours des gants pour éviter tout risque de blessures lorsque vous manipulez l'appareil

1. Débranchez le couvre-borne de bougie pour empêcher le démarrage.
2. Retirez le bouchon de remplissage / jauge d'huile.
3. Versez l'huile de l'orifice de remplissage dans un récipient en inclinant l'appareil à la verticale (Fig. 20). Allouez assez de temps pour une vidange complète.
4. Essuyez les résidus d'huile et nettoyez toute trace d'huile déversée. Éliminez l'huile selon les Règlements fédéral, provincial et municipal en vigueur.
5. Remplissez de nouveau le carter moteur de 100 ml (3,4 oz) d'huile SAE 30 SF, SG, SH.



- REMARQUE :** Mesurez la quantité nécessaire à l'aide de la bouteille et de la buse utilisées lors de la mise en service. 90 ml (3,04 oz) correspond environ au haut de l'étiquette de la bouteille (Fig. 21). Vérifiez le niveau d'huile avec la jauge. S'il est trop bas, ajoutez un peu d'huile par l'orifice et revérifiez (Fig. 21). Ne remplissez pas trop.
6. Remplacez le bouchon de remplissage / jauge d'huile.
 7. Rebranchez le couvre-borne de bougie.

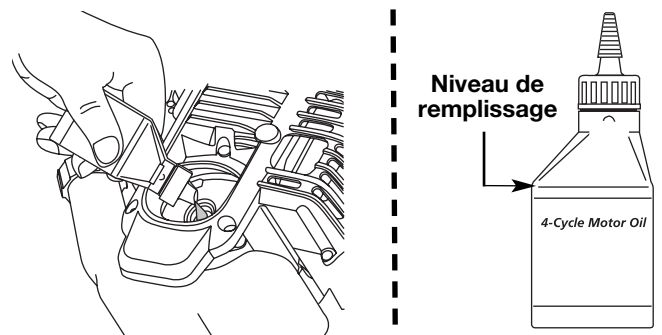


Fig. 21

ENTRETIEN DU FILTRE À AIR



AVERTISSEMENT : Pour éviter des blessures graves, éteignez toujours l'appareil et laissez-le refroidir avant tout nettoyage ou entretien.

Nettoyage du filtre à air

Nettoyez et relubrifiez le filtre à air à toutes les 10 heures de fonctionnement. Son entretien est très important. Si vous ne le faites pas, cela **ANNULERA** la garantie.

1. Ouvrez le couvercle du filtre à air. Enfoncez la languette située à gauche du couvercle, tirez celui-ci vers vous pour le dégager du boîtier du filtre à air (Fig. 22).
2. Retirez le filtre à air et l'écran derrière lui (Fig. 22).

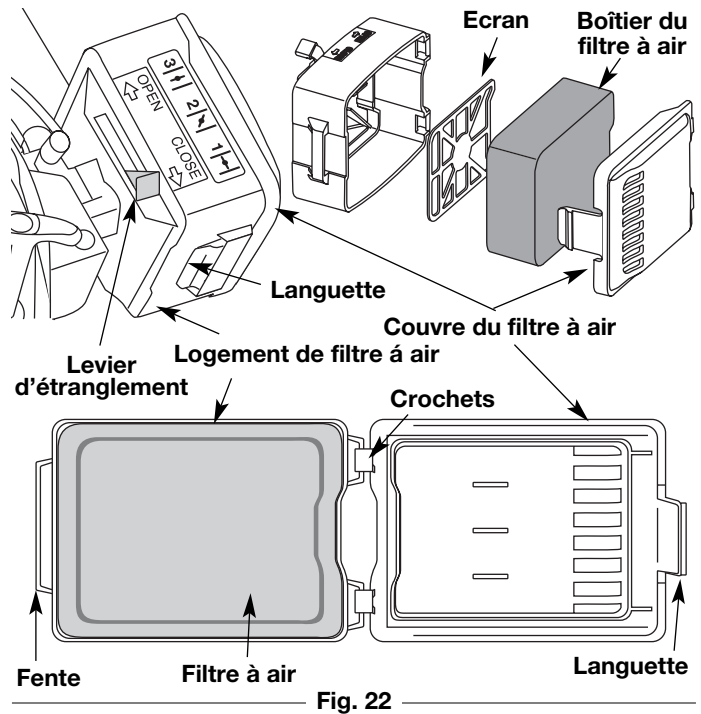


Fig. 22

3. Lavez le filtre dans un mélange d'eau et de détergent (Fig. 23). Rincez le filtre abondamment et laissez-le sécher.
4. Appliquez une quantité suffisante d'huile moteur propre SAE 30 pour enduire légèrement le filtre (Fig. 24).
5. Pressez le filtre pour répartir et drainer l'excédent d'huile (Fig. 25).
6. Remplacez le filtre et l'écran (Fig. 22).

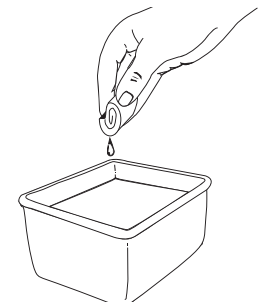


Fig. 23

- NOTE:** Si vous faites fonctionner l'appareil sans filtre à air, vous **ANNULEREZ** la garantie.
7. Réplacez le couvercle du filtre à air. Placez les crochets à

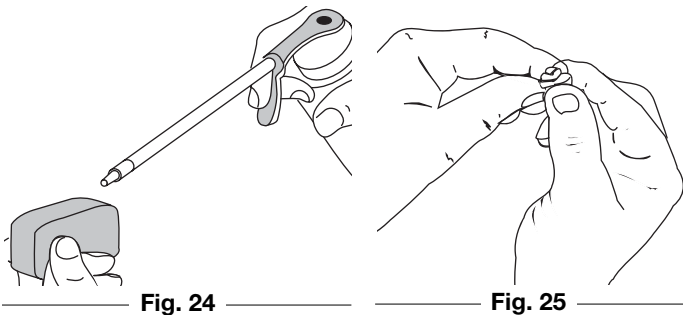


Fig. 24

Fig. 25

gauche du filtre à air dans les fentes situées à gauche du boîtier du filtre à air (Fig. 22).

- Pivotez le couvercle vers la droite jusqu'à ce que la languette du couvercle du filtre s'enfonce d'un déclic dans la fente sur le côté droit du boîtier du filtre (Fig. 22).

RÉGLAGE DU CARBURATEUR

La vitesse de ralenti du moteur est réglable à l'aide d'une vis de réglage accessible par un trou situé sur le dessus du couvercle du moteur (Fig. 26).

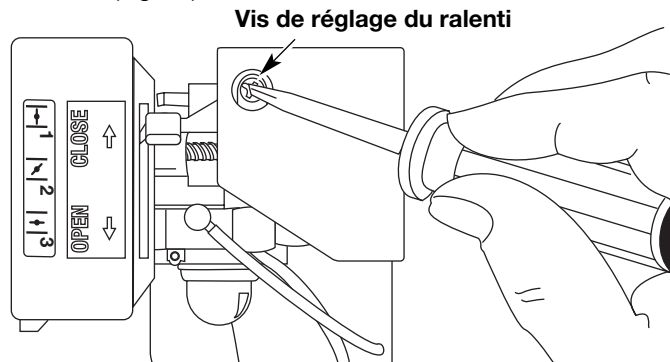


Fig. 26

REMARQUE : Un réglage négligé peut sérieusement endommager l'appareil. Confiez les réglages de carburateur à un concessionnaire agréé.

Vérification du carburant

En général, si l'appareil ne fonctionne pas correctement, c'est que le carburant est vieux. Videz puis remplissez le réservoir de carburant sans plomb frais et propre avant d'effectuer des réglages. Voir *Informations sur l'huile et le carburant*.

Réglage de la vis de réglage de ralenti

Si le moteur ne se met toujours pas au ralenti après vérification du carburant et nettoyage du filtre à air, réglez la vis de ralenti comme suit :

- Démarrez le moteur et laissez-le tourner à haut régime pendant une minute pour se réchauffer.
- Régler la manette des gaz à bas régime (←) et laisser le moteur tourner au ralenti. Si le moteur s'arrête, insérez un petit tournevis à embout cruciforme ou à tête plate dans le trou du couvercle du moteur (Fig. 26).

REMARQUE : Ne pas enclencher le levier d'embrayage de la lame lorsque vous ajustez la vis du ralenti, pour garantir que la lame ne soit pas en rotation.



AVERTISSEMENT: pour éviter des blessures graves assurez-vous que le lame de coupe est arrêté,

- Vissez la vis de réglage du ralenti de 1/8 de tour à la fois (selon le besoin) jusqu'à ce que le moteur tourne au ralenti.

La vérification de carburant, le nettoyage du filtre à air et le réglage de la vis de ralenti devraient résoudre la plupart des problèmes de moteur. Dans le cas contraire et si :

- le moteur ne se met pas au ralenti
- le moteur hésite ou cale lors d'une accélération
- le moteur perd de sa puissance

Faites régler le carburateur par un distributeur agréé.

JEU ENTRE SOUPE ET CULBUTEUR

Ceci nécessite de démonter le moteur. Si vous ne vous sentez pas à l'aise de le faire, confiez l'appareil à un centre de service agréé.

REMARQUE : Inspectez le jeu entre soupape et culbuteur à l'aide d'une jauge d'épaisseur après les 10 premières heures de fonctionnement, puis par intervalle de 25 heures par la suite.

- Attendez que le moteur soit froid avant de vérifier ou de régler le jeu de la soupape.
 - Faites-le à l'intérieur, dans un endroit propre et sans poussière.
- Enlevez les deux vis (2) du haut du couvercle du moteur à l'aide d'un tournevis à lame plate ou T-25 Torx (Fig. 27).

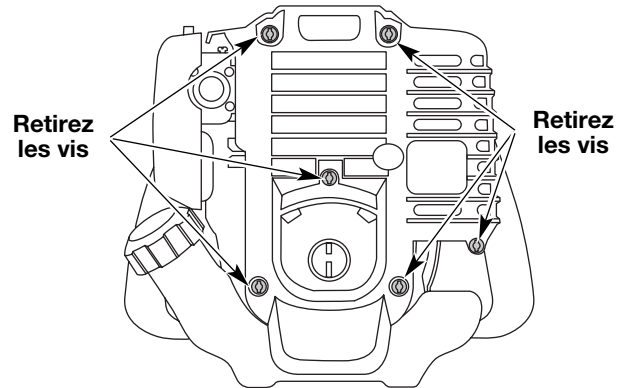


Fig. 27

- Déconnectez le câble de la bougie.
- Nettoyez toute saleté de la bougie. Retirez la bougie de la culasse en tournant la douille de 5/8 po à gauche.
- Déposez le couvercle du moteur (Fig. 27).

- Nettoyez toute saleté autour du cache-culbuteur. Retirez la vis retenant le cache-culbuteur à l'aide d'un tournevis à lame plate large ou à mèche no. T-25 Torx (Fig. 28). Enlevez le cache-culbuteur et le joint.

- Tirez lentement sur la corde de démarrage pour ramener le piston au sommet de sa course dit « point mort haut ». Vérifiez que :

- Le piston est au sommet de sa course lorsqu'on regarde par le trou de la bougie (Fig. 29).
- Les deux culbuteurs se déplacent librement et les deux soupapes sont fermées

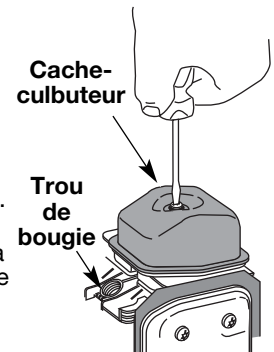


Fig. 28

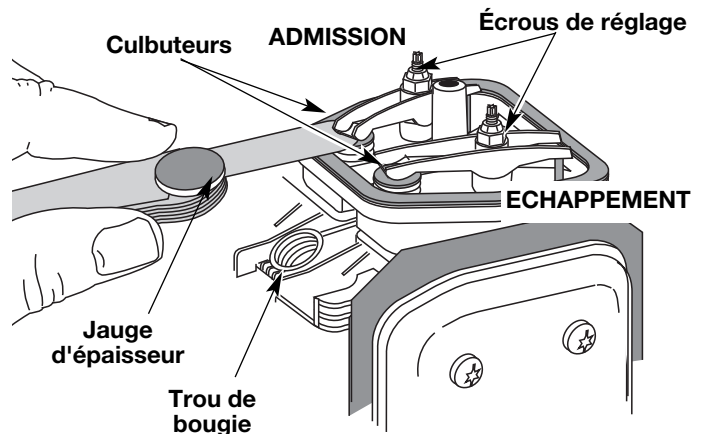


Fig. 29

Si ce n'est pas le cas, répétez la procédure.

- Glissez la jauge d'épaisseur entre le culbuteur et le ressort de rappel de la soupape. Mesurez le jeu entre la tige de

soupape et le culbuteur (Fig. 26 & 27). Faites-le pour les soupapes d'admission et d'échappement.

L'écart de jeu recommandé pour l'admission et l'échappement est de 0,076 – 0,152 mm (0,003 – 0,006 po). L'écart de jeu recommandé pour l'échappement est de 0,330 – 0,406 mm (0,013 – 0,016 po).

Servez-vous d'une jauge d'épaisseur d'automobile standard de 0,127 et 0,381 mm (0,005 et 0,015 po). La jauge d'épaisseur devrait pouvoir glisser entre le culbuteur et la tige de soupape en rencontrant une faible résistance mais sans coller (Fig. 29 & 30).

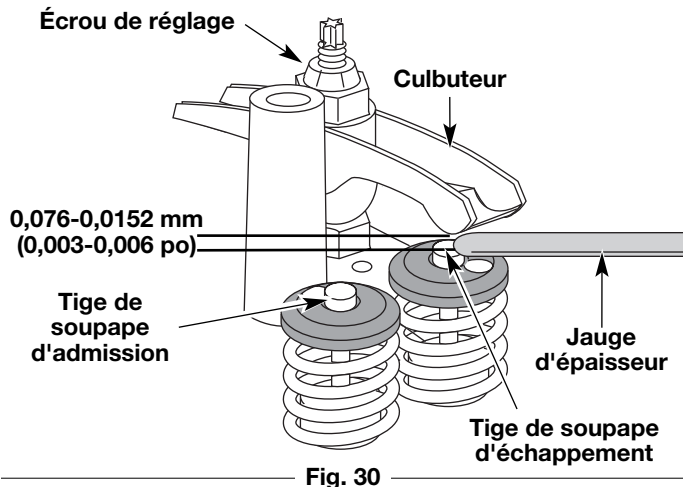


Fig. 30

8. Si le jeu n'est pas conforme:
 - a. Tournez l'écrou de réglage à l'aide d'une clé de 8 mm (5/16 po) ou d'un tournevis à embout hexagonal (Fig. 28).
 - Pour augmenter le jeu, tournez l'écrou de réglage vers la gauche.
 - Pour réduire le jeu, tournez l'écrou de réglage vers la droite.
 - b. Revérifiez les deux jeux de soupape et réglez-les au besoin.
9. Remplacez le cache-culbuteur en mettant un joint neuf. Serrez la vis avec un couple de serrage de 2,2–3,4 N•m (12 po•lb).
10. Remplacez le couvercle du moteur. Vérifiez l'alignement du couvercle avant de serrer les vis. Vissez bien.
11. Vérifiez l'état de la bougie et remplacez-la. Voir *Remplacement de la bougie*.
12. Remplacez le câble de la bougie.

REMPLACEMENT DE LA BOUGIE

Utilisez une bougie 180852. L'écartement correct est de 0,635 mm (0,025 po). Retirez la bougie après 25 heures de fonctionnement et vérifiez son état.

1. Arrêtez le moteur et laissez-le refroidir. Saisissez fermement le câble de la bougie et retirez le capuchon de celle-ci.
2. Déconnectez le câble de la bougie.
3. Nettoyez toute saleté de la bougie. Retirez la bougie de la culasse en tournant la douille de 5/8 po à gauche.



MISE EN GARDE: évitez de sabler, gratter ou nettoyer les électrodes car de la saleté dans le moteur pourrait endommager le cylindre.

4. Remplacez toute bougie fendillée, encrassée ou sale. Réglez l'écartement à 0,635 mm (0,025 po) à l'aide d'une jauge d'épaisseur (Fig. 31).
5. Installez la bougie ajustée dans la culasse. Tournez la douille de 5/8 po à droite jusqu'à bien la visser.

Si vous utilisez une clé dynamométrique, vissez selon les valeurs suivantes :

12,3-13,5 Nom (110-120 poolb).

Évitez de trop serrer.

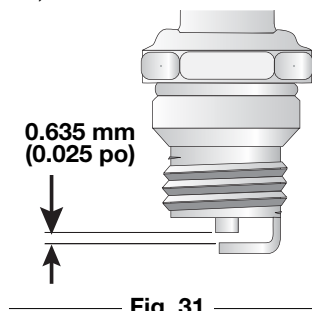


Fig. 31

ENTRETIEN DU PARE-ÉTINCELLES

1. Retirez le couvercle du silencieux. Voir *Jeu entre soupape et culbuteur*.
2. Retirez la vis retenant le couvercle du pare-étincelles au silencieux à l'aide d'un tournevis à lame plate ou à mèche no. T-20 Torx (Fig. 32).

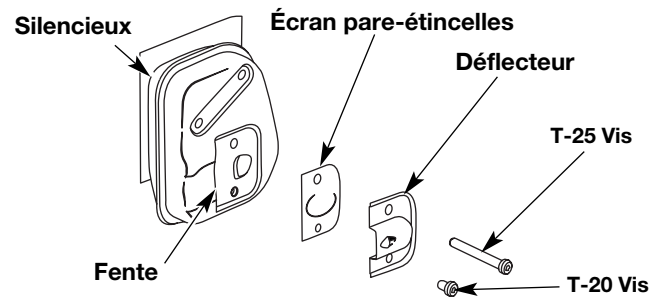


Fig. 32

3. Retirez la languette du couvercle du pare-étincelles hors du silencieux. Retirez le couvercle du pare-étincelles.
4. Retirez l'écran du pare-étincelles du couvercle de celui-ci.
5. Nettoyez l'écran du pare-étincelles avec une brosse métallique ou remplacez-le.
6. Remplacez l'écran, le couvercle et la vis du pare-étincelles.

NETTOYAGE DE L'APPAREIL



AVERTISSEMENT : pour éviter des blessures graves, éteignez toujours le coupe-bordures et laissez-la refroidir avant tout nettoyage ou entretien.

Nettoyez les événements ou l'extérieur de l'appareil avec une petite brosse. N'employez pas de détergents concentrés ou de nettoyants à base de pétrole tel le kérosène. Certains nettoyants ménagers contenant des huiles aromatiques tel que le pin et le citron peuvent endommager les boîtiers ou poignées en plastique. Essayez toute trace d'humidité à l'aide d'un tissu doux.

ENTREPOSAGE

- Ne rangez jamais l'appareil plein de carburant dans un lieu où les vapeurs peuvent atteindre une flamme vive ou des étincelles.
- Laissez le moteur se refroidir avant de l'entreposer.
- Rangez l'appareil dans un lieu verrouillé pour éviter toute utilisation ou accident indésirable.
- Rangez l'appareil dans un lieu sec et bien aéré.
- Rangez l'appareil hors de la portée des enfants.

ENTREPOSAGE DE LONGUE DURÉE

Si vous comptez entreposer l'appareil pendant une longue période,

1. Videz toute l'essence du réservoir dans un récipient. N'utilisez pas d'essence stockée pendant plus de 60 jours. Éliminez le vieux carburant conformément aux règlements fédéral, provincial et municipal en vigueur.
2. Démarrez le moteur, puis laissez-le tourner jusqu'à ce qu'il cale. Cela permet de s'assurer que le carburateur s'est vidé de son carburant.
3. Laissez le moteur refroidir. Retirez la bougie et versez environ 5 gouttes d'huile moteur de qualité dans le cylindre. Tirez lentement sur la corde de démarrage pour bien distribuer l'huile. Remplacez la bougie.

REMARQUE: Retirez la bougie et videz toute l'huile du cylindre avant de mettre en marche le coupe-bordures après une période d'entreposage.

4. Changez l'huile. Voir *Changement d'huile*. Éliminez la vieille huile conformément aux règlements fédéral, provincial et municipal en vigueur.
5. Nettoyez soigneusement l'appareil et vérifiez qu'il ne comporte pas de pièces desserrées ou endommagées. Réparez ou remplacez les pièces endommagées, puis serrez les vis, écrous et boulons desserrés. L'appareil est alors prêt pour l'entreposage.

TRANSPORT

- Laissez le moteur refroidir avant le transport.
- Attachez bien l'appareil lors du transport.
- Videz tout le carburant du réservoir avant le transport.
- Serrez le bouchon du réservoir avant le transport.

DÉPANNAGE

LE MOTEUR REFUSE DE DÉMARRER

CAUSE	SOLUTION
Réservoir de carburant vide	Remplissez-le de carburant frais
La poire d'amorçage n'a pas été pressée assez fort	Pressez-la complètement et lentement de 10 fois
Carburant vieux	Drainez le réservoir/ajoutez du carburant frais
Bougie encrassée	Remplacez ou nettoyez-la
Pare-étincelles colmaté	Nettoyez ou remplacez le pare-étincelles

LE MOTEUR REFUSE DE SE METTRE AU RALENTI

CAUSE	SOLUTION
Filtre à air bouché	Remplacez ou nettoyez-le
Carburant vieux	Drainez le réservoir/ajoutez du carburant frais
Mauvais réglage du carburateur	Ajustez selon l'instruction ou faites-le régler par un concessionnaire agréé

LE MOTEUR REFUSE D'ACCÉLÉRER

CAUSE	SOLUTION
Carburant vieux	Drainez le réservoir/ajoutez du carburant frais
Le lame engorgé d'herbes	Arrêtez le moteur et nettoyez le lame
Filtre à air sale	Remplacez ou nettoyez-le
Pare-étincelles colmaté	Nettoyez ou remplacez le pare-étincelles

LE MOTEUR MANQUE DE PUISSANCE OU SE CALE DURANT LA COUPE

CAUSE	SOLUTION
Carburant vieux	Drainez le réservoir/ajoutez du carburant frais
Bougie encrassée	Remplacez ou nettoyez-la
Pare-étincelles colmaté	Nettoyez ou remplacez le pare-étincelles
Profondeur de coupe excessive de la lame	Ajuster la profondeur de coupe de la lame

LAME BLOQUÉE

CAUSE	SOLUTION
Lame bloquée par de l'herbe	Couper le moteur et nettoyer la lame
Courroie ayant du jeu	Ajuster la tension de la courroie en utilisant la poulie-tendeur
Rupture de la courroie	Remplacer la courroie

Si vous avez besoin d'aide, contactez votre concessionnaire agréé.

CARACTÉRISTIQUES

MOTEUR*

Type de moteur	Refroidi par air, 4-temps
Cylindrée	29 cc (1,8 po ³)
Régime de fonctionnement.....	6.800+ tr/min
Régime ralenti.....	2.800-3.600 tr/min
Type d'allumage.....	Électronique
Contact d'allumage	Interrupteur berceau
Jeu de soupape d'admission et d'échappement.....	0,076-0,152 mm (0,003-0,006 po)
Écartement de la bougie	0,635 mm (0,025 po)
Lubrification.....	Huile SAE 30
Contenance en huile du carter moteur	90 ml (3,04 oz)
Carburant	Sans plomb
Carburateur	Membrane, toutes positions
Démarrreur	Rembobinage automatique
Silencieux	Chicane avec protection
Accélérateur.....	Rappel par ressort
Capacité du réservoir de carburant	414 ml (14 oz)

L'APPAREIL*

Poids de l'appareil22,1 livres (10,02 kg)
Profondeur de coupe (minimum)1,75 pouces (44,5 mm)

*Toutes les spécifications contenues dans ce manuel tiennent compte des dernières informations techniques disponibles au moment de mettre sous presse. Nous nous réservons le droit d'y apporter des modifications à tout moment, sans préavis.

GARANTIE LIMITÉE DU FABRICANT POUR:



La garantie limitée énoncée ci-après est accordée par Troy-Bilt LLC (« Troy-Bilt ») et concerne les marchandises neuves achetées et utilisées aux États-Unis, ainsi que dans leurs possessions et territoires.

Troy-Bilt garantit ce produit contre tout vice de matière ou de façon pendant une période de deux (2) ans à compter de la date d'achat initiale et elle se réserve le choix de réparer ou de remplacer, à titre gratuit, toute pièce présentant un vice de matière ou de façon. Cette garantie limitée ne s'appliquera que dans la mesure où le produit aura été utilisé et entretenu conformément au Guide de l'utilisateur fourni avec le produit et n'aura pas fait l'objet d'un usage inadéquat, abusif, commercial ou négligent, d'un accident, d'un entretien inadéquat, d'une modification, de vandalisme, d'un vol, d'un incendie, de dégâts d'eau ou d'un endommagement résultant d'un autre péril ou d'un désastre naturel. Les dommages résultant de l'installation ou de l'utilisation de tout accessoire ou équipement non approuvé par Troy-Bilt pour une utilisation avec le(s) produit(s) couvert(s) par le présent guide annuleront la garantie et ce qui concerne les dommages qui en résulteraient éventuellement. La présente garantie est limitée à quatre-vingt-dix (90) jours à compter de la date d'achat au détail initiale pour tout produit Troy-Bilt utilisé à des fins locatives ou commerciales, ou toute utilisation produisant des revenus.

POUR L'ENTRETIEN-DÉPANNAGE : L'Entretien-dépannage au titre de la garantie est disponible, SUR PRÉSENTATION DE PREUVE D'ACHAT, AUPRÈS DU DISTRIBUTEUR AGRÉÉ LOCAL. Pour obtenir le nom du distributeur agréé local, consulter les Pages Jaunes ou se mettre en rapport avec le Service après-vente de Troy-Bilt en appelant le **1-800-828-5500** ou en écrivant au P.O. Box 361131, Cleveland OH 44136-0019 ou en appelant le **1-800-668-1238** au Canada. Aucun produit retourné à l'usine sans permission écrite préalable du service après-vente de Troy-Bilt ne sera accepté.

La garantie limitée n'offre aucune couverture dans les cas suivants :

- A. Mises au point – Bougies, réglages de carburateur, filtres.
- B. Articles d'usure – Bouton de butée, bobines extérieures, fil de coupe, bobines intérieures, poulie de démarrage, cordes de démarrage, courroies d'entraînement.
- C. Troy-Bilt n'accorde aucune garantie pour les produits vendus ou exportés des États-Unis, de leurs possessions et territoires, exception faite en ce qui concerne les produits vendus par l'intermédiaire de ses canaux agréés de distribution à l'exportation.

Troy-Bilt se réserve la droit de modifier ou d'améliorer la conception de tout produit Troy-Bilt sans assumer l'obligation de modifier tout produit d'une fabrication plus ancienne.

Aucune garantie implicite, y compris toute garantie de valeur marchande ou d'adaptation à une fin particulière, ne s'applique après la période applicable de garantie expresse écrite ci-dessus concernant les pièces qui sont identifiées. Aucune autre garantie ou caution expresse, écrite ou orale, à l'exception de celle mentionnée ci-dessus, accordée par toute personne ou entité, y compris tout distributeur ou détaillant, concernant tout produit n'engagera la responsabilité de Troy-Bilt. Pendant la période de garantie, le remède exclusif est la réparation ou le remplacement du produit dans les conditions énoncées ci-dessus. (Certains états ne permettent pas la limitation de la garantie implicite, il est donc possible que la limitation ci-dessus ne s'applique pas à vous.)

Les clauses énoncées dans la présente Garantie constituent le recours unique et exclusif inhérent aux ventes. Troy-Bilt ne sera en aucun cas tenue pour responsable de tout dommage indirect ou consécutif ou de dommages comprenant, entre autres mais pas seulement, les dépenses encourues du fait du recours à des services de remplacement ou de substitution pour l'entretien des pelouses, le transport ou des frais connexes, ou les frais entraînés par une location destinée à remplacer provisoirement un produit sous garantie. (Certains états ne permettent pas la limitation de la garantie implicite, il est donc possible que la limitation ci-dessus ne s'applique pas à vous.)

Aucun recouvrement, quel qu'il soit, ne sera d'un montant supérieur au prix du produit vendu. Toute modification des dispositifs de sécurité du produit annulera la présente Garantie. Vous assumez tout risque et toute responsabilité résultant de la perte, de l'endommagement ou du préjudice que vous et votre propriété et/ou d'autres et leur propriété pourront encourir du fait de l'utilisation normale, de la mauvaise utilisation ou de l'empêchement d'utiliser le produit.

La présente garantie limitée n'est accordée qu'à l'acheteur initial, au preneur initial ou à la personne à laquelle le produit a été offert.

Le Droit des États vis à vis de la présente garantie : la présente garantie vous confère certains droits juridiques, et vous pouvez bénéficier d'autres droits, lesquels varient d'une juridiction à l'autre.

Pour obtenir l'adresse du distributeur agréé le plus proche, composer le : **1-800-828-5500** aux États-Unis ou le **1-800-668-1238** au Canada.

Troy-Bilt LLC

P.O. Box 361131
Cleveland, OH 44136-0019



Manual del Operador

Recortador de bordes de césped a gasolina de 4 tiempos **TBE515**

CONSERVE ESTAS INSTRUCCIONES

Llame **1-800-828-5500** en EE.UU. o al **1-800-668-1238** en Canada para obtener una lista de distribuidores de servicio localizados cerca de usted. Para obtener más detalles sobre su unidad, visite nuestro sitio en www.troybilt.com.

NO REGRESE SU UNIDAD AL VENDEDOR. PARA SOLICITAR SERVICIO POR LA GARANTIA, DEBERA PRESENTAR PRUEBA DE SU COMPRA.

ESTE PRODUCTO ESTA CUBIERTO POR UNA O MAS PATENTES DE EE.UU., OTRAS PATENTES EN TRAMITE.

El servicio de esta unidad, ya sea durante o después del período cubierto por la garantía, debe ser realizado solamente por un proveedor de servicios autorizado y aprobado.

PARACHISPAS

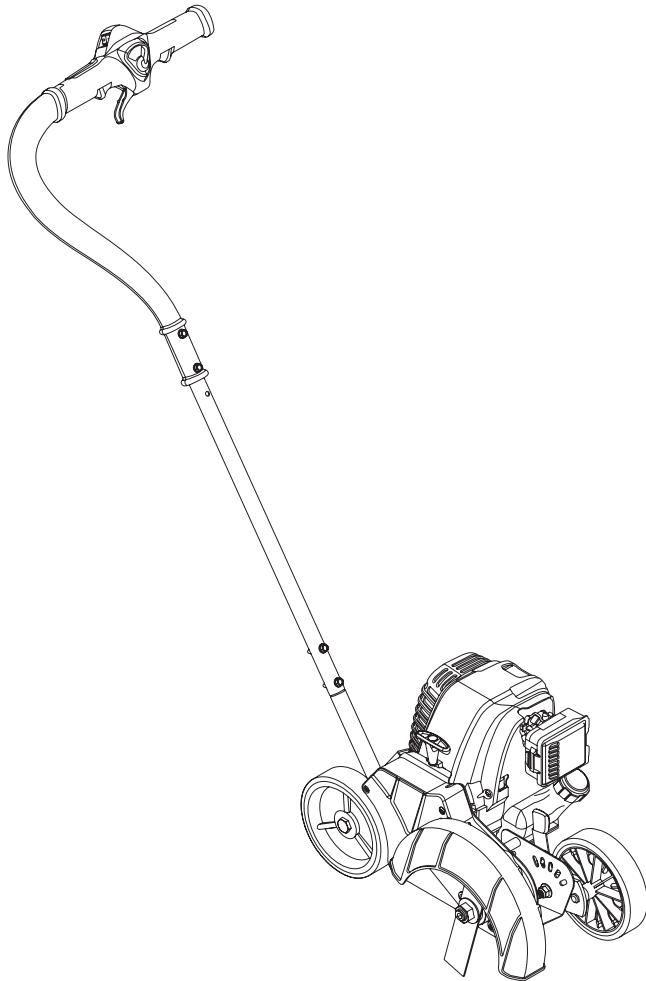
NOTA: Para los usuarios en tierras forestales de los EE.UU. y en los estados de California, Maine, Oregon y Washington. Todos los terrenos forestales de los EE.UU. y el estado de California (Códigos de Recursos Públicos 4442 y 4443), Oregon y Washington, requieren por decreto, que ciertos motores de combustión interna que se hagan funcionar en zonas boscosas y/o zonas cubiertas por pastizales, estén equipados con un parachispas, que sean mantenidos en buen estado de funcionamiento o que el motor sea construido, esté equipado y sea mantenido para evitar incendios. Consulte los reglamentos pertinentes a esos requisitos con las autoridades estatales o locales. El incumplimiento de esos requisitos puede responsabilizarle o someterle a la imposición de una multa. **Esta unidad fue equipada en la fábrica con un parachispas.** Si requiere sustitución, hay una **Pantalla Parachispas disponible, Pieza # 753-05297** al contactar el departamento de servicio.

PROPOSICIÓN 65 DE CALIFORNIA

	WARNING	
<p>LAS EMISIONES DEL MOTOR DE ESTE PRODUCTO CONTIENEN SUSTANCIAS QUIMICAS QUE EL ESTADO DE CALIFORNIA CONOCE COMO CAUSANTES DE CANCER, DEFECTOS DE NACIMIENTO U OTROS DAÑOS REPRODUCTIVOS.</p>		

Toda la información, las ilustraciones y las especificaciones contenidas en este manual se basan en la información más reciente disponible en el momento de impresión del manual. Nos reservamos el derecho de hacer cambios en cualquier momento sin aviso previo.

Copyright© 2007 MTD SOUTHWEST INC. Todos los derechos reservados.



INDICE DE CONTENIDOS

Llamadas a apoyo al cliente	E1
Normas para una operación segura	E2
Conozca su unidad	E4
Instrucciones de ensamble	E5
Información del aceite y del combustible	E6
Instrucciones de arranque y apagado	E8
Instrucciones de operación	E9
Instrucciones de mantenimiento y reparación	E10
Limpeza y almacenamiento	E13
Cuadro de solución de problemas	E14
Especificaciones	E15
Lista de Piezas	E17
Garantía	Contraportada

	<p>ADVERTENCIA: Al utilizar la unidad, debe observar las reglas de seguridad. Lea estas instrucciones antes de operar la unidad a fin de garantizar la seguridad del operador y cualquier transeúnte. Guarde estas instrucciones para uso posterior.</p>
--	---

NORMAS PARA UNA OPERACIÓN SEGURA

• IMPORTANTE INFORMACIÓN DE SEGURIDAD •

LEA TODAS LAS INSTRUCCIONES ANTES DE LA OPERACIÓN

- Lea cuidadosamente y entienda el manual del operador de la unidad que impulsa a este acople.
- Lea este manual de instrucciones de funcionamiento detenidamente. Familiarícese completamente con los controles y el uso apropiado del equipo. Sepa cómo apagar la unidad y desactivar los controles con rapidez.
- No opere esta unidad si está cansado, enfermo, o bajo los efectos del alcohol, drogas o medicamentos.
- Nunca permita que los niños manejen el equipo. Nunca permita que los adultos usen la unidad cuando no estén familiarizados con las instrucciones. Nunca permita que las personas adultas manejen el equipo si no cuentan con las instrucciones apropiadas.
- Se debe instalar adecuadamente todos los protectores y dispositivos de seguridad antes de hacer funcionar la unidad.
- Inspeccione la unidad antes de usarla. Compruebe que la cuchilla esté instalada correctamente y que esté segura.
- Despeje el área que va a bordear antes de cada uso. Quite todos los objetos tales como piedras, vidrios quebrados, clavos, alambre o cuerdas que puedan ser lanzados o que se puedan enredar en el aditamento de bordeo.

ADVERTENCIAS DE SEGURIDAD ESPECIALES PARA LOS RECORTADORES DE BORDES

- Guarde el combustible únicamente en recipientes designados especialmente y aprobados para el almacenamiento de dichos materiales.



ADVERTENCIA: La gasolina es muy inflamable, y sus gases pueden explotar si se encienden. Tome las siguientes precauciones:

- Apague siempre el motor y espere que se enfríe antes de llenar el tanque de combustible. Nunca quite la tapa del tanque de combustible ni abastezca combustible mientras la unidad esté caliente. No opere nunca esta unidad sin la tapa del combustible bien apretada en su lugar. Afloje la tapa del tanque de combustible lentamente para desahogar la presión del tanque.
- Mezcle y abastezca el combustible en un área limpia, bien ventilada en exteriores donde no haya chispas ni llamas. Quite la tapa del combustible lentamente sólo después de parar el motor. No fume mientras abastece ni mientras mezcla el combustible. Seque todo el combustible que se derrame de la unidad de inmediato.
- Evite crear una fuente de encendido con el combustible derramado. No arranque el motor hasta que los gases se hayan disipado.
- Mueva la unidad a por lo menos 30 pies (9.1 m) de distancia de la fuente y punto de abastecimiento de combustible antes de arrancar el motor. No fume, mantenga las chispas y llamas fuera del área mientras carga o el combustible o mientras opera la unidad.
- Nunca arranque ni opere la unidad dentro de una sala o edificio cerrado. La respiración de los gases del escape pueden ser letales. Opere esta unidad únicamente en un área exterior bien ventilada.

DURANTE LA OPERACIÓN

- Mantenga retirados a los espectadores, especialmente a los niños y animales domésticos por lo menos a 50 ft (15 m) de distancia.
- Use lentes o gafas de protección que cumplan con las normas ANSI Z87.1, y protección para sus oídos/audición mientras opere esta unidad. Use siempre una máscara facial o para protegerse contra el polvo si la operación levanta polvo.
- Use pantalones largos y gruesos, botas, guantes y camisa de manga larga. No use ropa holgada, alhajas, pantalones cortos, sandalias ni esté descalzo. Sostenga el cabello sobre el nivel de los hombros.
- Use la unidad sólo con luz diurna o con buena luz artificial.
- Use la herramienta correcta. Use esta herramienta sólo para el trabajo para el que fue diseñada.
- No fuerce la unidad. Hará mejor el trabajo y con menos probabilidad de lesión bajo la tasa de funcionamiento que fue diseñada.
- Tenga mucho cuidado cuando retroceda o cuando hale la unidad hacia usted.
- No se estire demasiado. Mantenga siempre una posición y equilibrio adecuados.

- Sostenga siempre la unidad con ambas manos durante la operación. Agarre firmemente ambas manijas o mangos anteriores y posteriores.
- Mantenga las manos, cara y pies lejos de todas las piezas que se muevan. No toque ni intente detener la cuchilla cuando esté girando. No la haga funcionar sin los protectores puestos en su lugar.
- No opere la unidad a una velocidad mayor que la necesaria para recortar bordes. No opere la unidad a alta velocidad cuando no esté recortando bordes.
- Pare siempre la unidad cuando posponga el trabajo o mientras camine entre diferentes zonas de corte.
- Detenga el motor para hacerle mantenimiento, reparaciones, para instalar o quitar la cuchilla. Debe detener la unidad y la cuchilla debe dejar de voltear para que evite lesiones.
- La cuchilla se vuelve bastante filosa con el uso. Póngase guantes gruesos en todo momento cuando manipule, quite, instale o limpie la cuchilla.
- Si golpea o se enreda con algún objeto extraño, pare el motor de inmediato e inspeccione si hay daños. Repare todos los daños antes de intentar continuar la operación. No opere esta unidad con una cuchilla doblada, rajada ni desafilada. Descarte las cuchillas que estén dobladas, alabeadas, agrietadas o rotas.
- Pare la unidad DE INMEDIATO si siente una vibración excesiva. La vibración es señal de que hay problemas. Inspeccione bien si hay tuercas o pernos flojos o daños antes de continuar. Repare o cambie las piezas afectadas según sea necesario.
- Pare y apague la unidad para hacerle mantenimiento, reparación o para cambiarle accesorios.
- Mantenga la unidad libre de vegetación y otros materiales. Esas cosas se pueden incrustar entre la cuchilla y la caja de engranajes o el protector.
- La cuchilla en movimiento puede causar lesiones mientras continúa girando después de que pare la unidad. Mantenga el control apropiado de la unidad hasta que la cuchilla deje de voltear completamente.
- Use sólo piezas y accesorios de repuesto genuinos de fábrica para esta unidad. Puede obtenerlos en su proveedor de servicio autorizado. El uso de piezas o accesorios no autorizados puede causar lesiones graves al usuario o daño a la unidad, y la cancelación de su garantía.

MANTENIMIENTO Y ALMACENAJE

- Espere que el motor se enfríe antes de guardar o transportar la unidad. Compruebe que la unidad esté segura al transportarla.
- Guarde la unidad bajo llave en un lugar adecuado y seco para evitar el uso por personas no autorizadas y daños, lejos del alcance de los niños.
- Lave la cuchilla con el agua de la manguera. Limpie la cuchilla con aceite suave para máquinas, para que evite la oxidación.
- Nunca moje ni rocíe la unidad con agua ni con ningún otro líquido. Mantenga las manijas secas, limpias y sin residuos. Limpie la unidad después de cada uso, lea las instrucciones de Limpieza y Almacenamiento.
- Guarde estas instrucciones. Consúltelas con frecuencia y utilícelas para enseñar a otros usuarios. Si le presta esta unidad a alguien, préstele también estas instrucciones.
- Cualquier reparación o procedimientos de mantenimiento que no estén descritos en este manual deben ser hechos únicamente por personal calificado.
- Compruebe frecuentemente el apriete de los pernos de la cizalla, de montaje del motor y otros pernos para que tenga la seguridad de que el equipo esté en buen estado de funcionamiento.
- Cuando guarde la unidad dentro de un edificio, aléjela de fuentes de encendido. Permita que el motor se enfríe antes de guardarla en cualquier caja protectora.
- Si el recortador de bordes se va a almacenar por un período prolongado, consulte siempre las instrucciones que aparecen en Manual de Operador para conocer detalles importantes.
- No intente arreglar la máquina a menos que tenga las herramientas apropiadas y las instrucciones para desensamblarla y arreglarla.

GUARDE ESTAS INSTRUCCIONES

NORMAS PARA UNA OPERACIÓN SEGURA

SIMBOLOS DE SEGURIDAD E INTERNACIONALES

Este manual del operador describe los símbolos y figuras de seguridad e internacionales que pueden aparecer en este producto. Lea el manual del operador para obtener información completa acerca de la seguridad, ensamble, operación y mantenimiento y reparación.

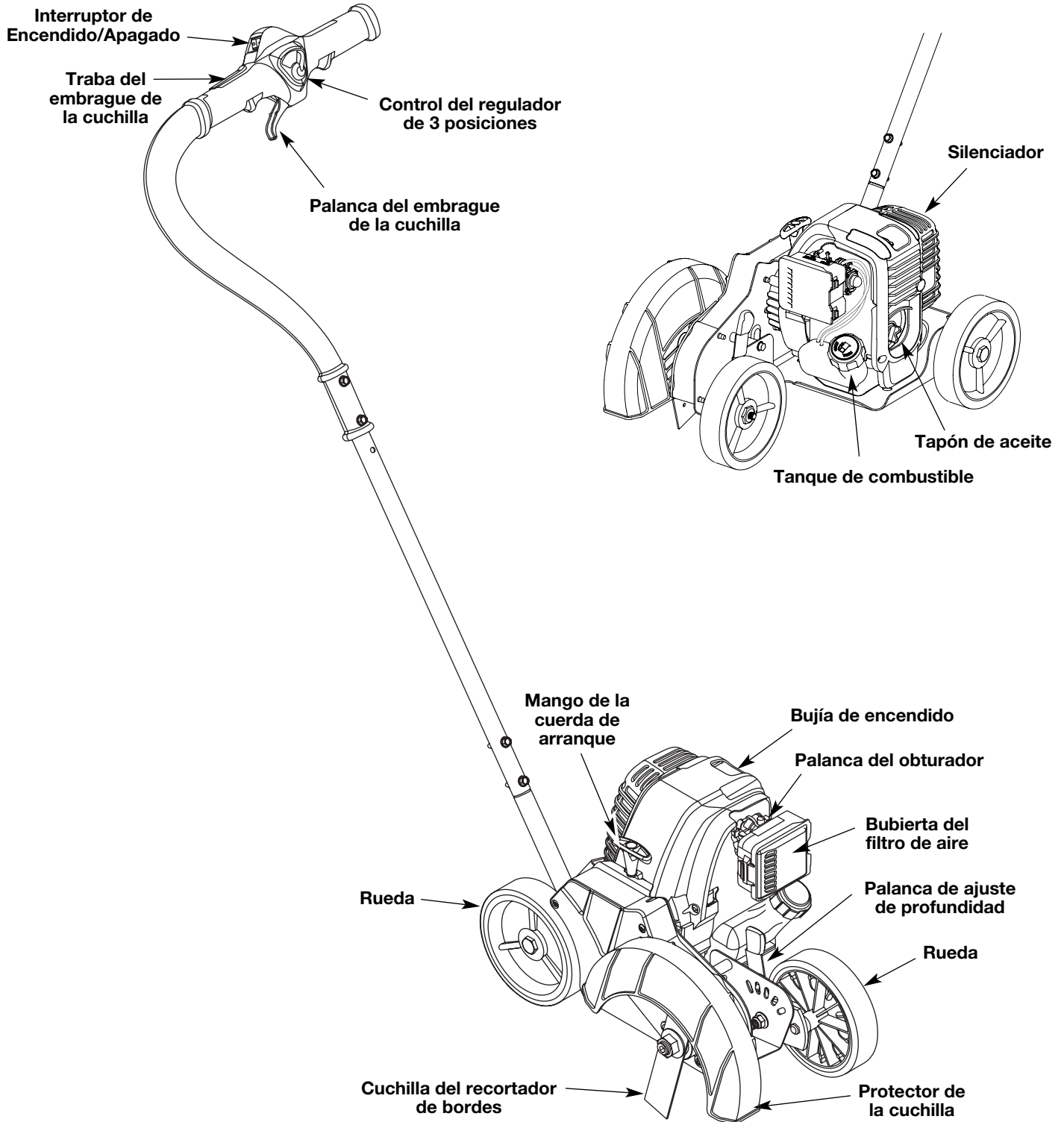
SIMBOLO	SIGNIFICADO
	<ul style="list-style-type: none"> • SIMBOLO DE ALERTA DE SEGURIDAD Indica peligro, advertencia o precaución. Puede ser utilizado junto con otros símbolos o figuras.
	<ul style="list-style-type: none"> • ADVERTENCIA - LEA EL MANUAL DEL OPERADOR Lea el manual del operador y siga todas las advertencias e instrucciones de seguridad. De no hacerlo, el operador y/o los espectadores pueden sufrir graves lesiones.
	<ul style="list-style-type: none"> • USE PROTECCION OCULAR Y AUDITIVA ADVERTENCIA : Los objetos arrojados por la unidad y el ruido fuerte pueden causar graves lesiones oculares y pérdida auditiva. Utilice protección ocular que cumpla con las normas ANSI Z87.1 y protección auditiva cuando opere esta unidad. Use una careta completa cuando la necesite.
	<ul style="list-style-type: none"> • COMBUSTIBLE SIN PLOMO Use siempre combustible limpio, nuevo y sin plomo.
	<ul style="list-style-type: none"> • INDICADOR DE ACEITE Consulte el manual del operador para obtener información acerca del tipo correcto de aceite.
	<ul style="list-style-type: none"> • MANTENGA ALEJADOS A LOS ESPECTADORES ADVERTENCIA: Mantenga a todos los espectadores, en especial a niños y animales domésticos a por lo menos 50 pies (15 m) del área de corte.

SIMBOLO	SIGNIFICADO
	<ul style="list-style-type: none"> • CONTROL DE ENCENDIDO Y APAGADO ENCENDIDO /ARRANQUE /MARCHA
	<ul style="list-style-type: none"> • CONTROL DE ENCENDIDO Y APAGADO APAGADO o PARADO
	<ul style="list-style-type: none"> • ADVERTENCIA DE CALIENTE No toque un silenciador ni un cilindro caliente. Puede quemarse. Estas partes se calientan mucho con el uso. Luego de apagarse permanecen calientes durante un corto tiempo.
	<ul style="list-style-type: none"> • LOS OBJETOS DESPEDIDOS Y LA CUCHILLA ROTATIVA PUEDEN CAUSAR GRAVES LESIONES ADVERTENCIA: No opere esta unidad si la protección plástica de línea no está colocada en su lugar. Manténgase alejado del cuchilla giratorio.
	<ul style="list-style-type: none"> • CONTROL DE ESTRANGULACIÓN A. Posición de ESTRANGULACIÓN COMPLETA B. Posición de ESTRANGULACIÓN PARCIAL C. Posición de MARCHA
	<ul style="list-style-type: none"> • RECORTADOR DE BORDES DE JARDÍN - LA CUCHILLA GIRATORIA PUEDE OCASIONAR LESIONES GRAVES ADVERTENCIA: Pare el motor y espere a que la cuchilla se detenga antes de quitar la cuchilla, o antes de limpiar o realizar cualquier trabajo de mantenimiento. Mantenga las manos y los pies alejados de la cuchilla giratoria.

CONOZCA SU UNIDAD

APLICACIONES

- Para hacer recortes a lo largo de senderos, estacionamientos, jardincillos rocosos, etc.



CONJUNTO DEL MANGO

1. Saque la unidad de la caja.
2. Coloque el extremo de 2 orificios del eje metálico recto sobre la base del eje en la unidad y alinee los orificios (Fig. 1).
3. Inserte los dos tornillos autorroscantes (1/4" x 1-1/4") en estos orificios (Fig. 2).
4. Utilizando una llave de 3/8", atornille cada uno de los tornillos autorroscantes en el eje hasta que quede firme. **NO APRIETE DEMASIADO.**
5. Inserte la manija de control en el extremo de 3 orificios del eje metálico recto y alinee los orificios de la manija con los dos orificios del extremo del eje metálico recto (Fig. 2).

NOTA: Debido a que los cables de control han sido instalados previamente, se deberá tener mucho cuidado al instalar la manija de control a fin de no pinchar o doblar los cables. Esto puede dañarlos y hacer que no funcionen bien.

6. Inserte los dos tornillos (1/4" x 1-1/2") en los orificios hexagonales empotrados en la manija (Fig. 2) y manténgalos en su lugar.
7. Coloque con las manos las contratuercas en estos pernos.
8. Utilizando una llave de 7/16", apriete cada una de las tuercas de cada perno hasta que queden firmes.
9. Tire de la cuerda de arranque y deslícela a través del gancho de ojo (Fig. 3).
10. Inserte el gancho de ojo en el orificio restante en el eje metálico recto (Fig. 3).
11. Atornille la tuerca en el gancho de ojo (Fig. 3) y utilice una llave de 7/16" para apretar. **NO APRIETE DEMASIADO.**
12. Utilizando los cinchos de plástico que vienen en la bolsa de piezas, asegure los cables de la manija a la mitad del eje metálico recto entre el gancho de ojo y la caja del motor

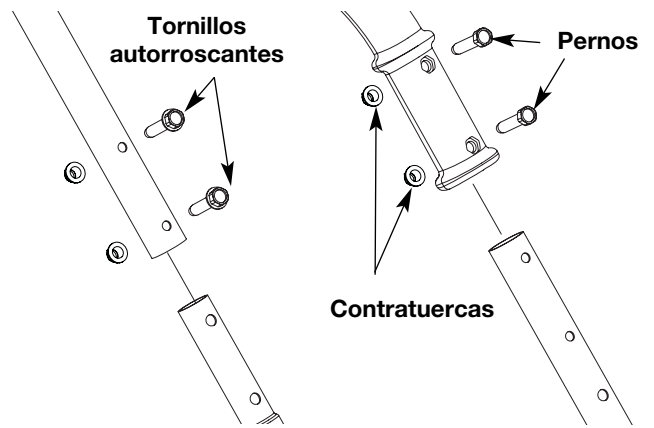


Fig. 1

Fig. 2

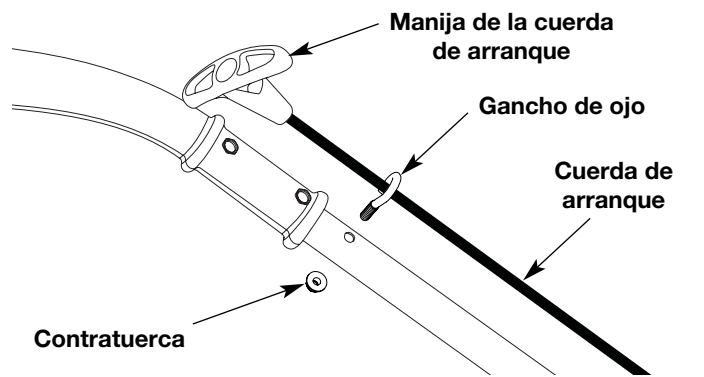


Fig. 3



ADVERTENCIA: EL LLENAR DEMASIADO EL CÁRTER PUEDE CAUSAR LESIONES PERSONALES GRAVES. No podemos exagerar la importancia del control y mantenimiento del nivel correcto de aceite en el cigüeñal. Verifique el aceite antes de cada uso y cámbielo cuando sea necesario según se indica en la sección de *Cambio del aceite*.

TIPO DE ACEITE RECOMENDADO

El uso de un aceite del tipo y peso correctos en el cigüeñal es extremadamente importante. Verifique el aceite antes de cada uso y cambie el aceite con frecuencia. Si no usa el aceite correcto, o utiliza aceite sucio, puede causar el desgaste y falla prematuros del motor. Use un aceite de buena calidad SAE 30 de API (American Petroleum Institute) clase de servicio SG, SF, SH.

CARGA DE ACEITE EN EL CARTER DEL CIGÜEÑAL: USO INICIAL

NOTA: Esta unidad se envía sin carga de aceite. A fin de evitar el daño de la unidad, cargue aceite en el cárter del cigüeñal antes de intentar arrancar la unidad.

Su unidad trae una botella de aceite SAE 30 SF, SG, SH de 90 ml (3,04 onzas fluidas) (Fig. 4).

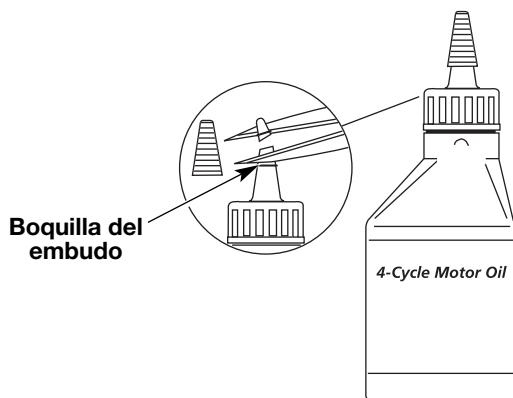


Fig. 4

NOTA: Guarde la botella para medir la cantidad correcta de aceite cuando deba cambiarlo en el futuro. Lea *Cambio de Aceite*.

1. Desenrosque la tapa de la botella de aceite y retire el sello de papel que cubre la apertura. Vuelva a colocar la tapa. Corte la punta de la boquilla del embudo (Fig. 4).
2. Coloque la unidad sobre una superficie plana.
3. Saque el tapón de aceite/ varilla de medición del cigüeñal (Fig. 5).

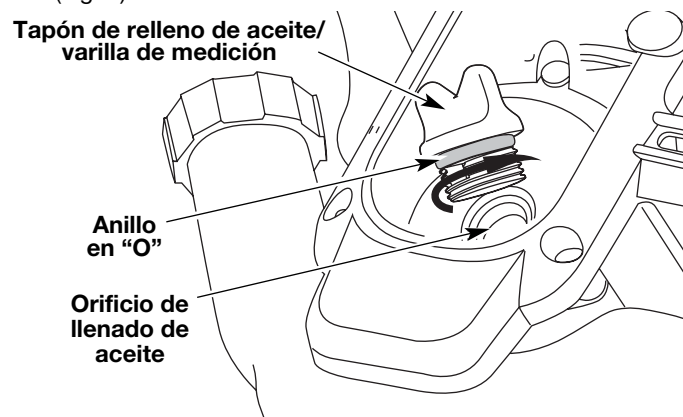


Fig. 5

4. Vierta todo el contenido de la botella de aceite en el cigüeñal (Fig. 6).

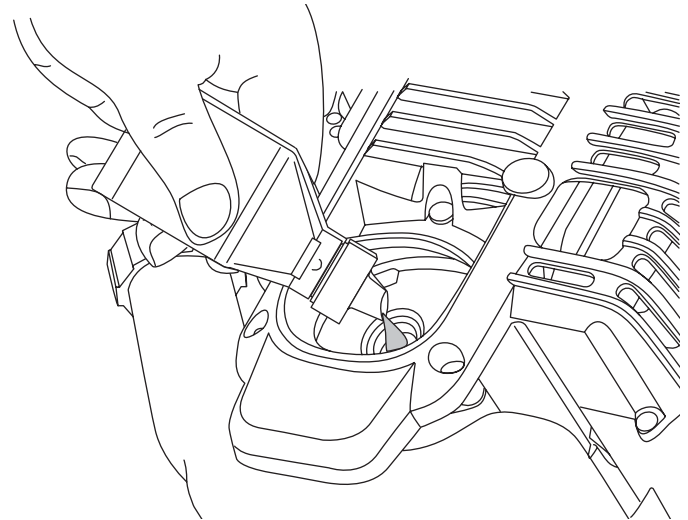


Fig. 6

NOTA: No agregue nunca aceite al gasolina o al tanque de gasolina.

5. Limpie todo el aceite que pueda haberse derramado y vuelva a instalar el tapón del aceite / varilla de medición.

No podemos exagerar la importancia del control y mantenimiento del nivel correcto de aceite en el cigüeñal. Verifique el aceite antes de cada uso y cámbielo cuando sea necesario según se indica en la sección de *Cambio del aceite*.

TIPO DE COMBUSTIBLE RECOMENDADO

La gasolina vieja es la causa principal del mal funcionamiento de la unidad. Asegúrese de usar gasolina nuevo, limpio y sin plomo.

NOTA: Este es un motor de cuatro tiempos. Para evitar dañar su unidad, **no mezcle el aceite con la gasolina.**

Definición de los combustibles de mezcla

Los combustibles actuales con frecuencia son una mezcla de gasolina y uno o más oxigenantes como el etano, el metanol o el MTBE (éter). El combustible con mezcla de alcohol absorbe agua. Un porcentaje de agua tan pequeño como el 1% en el combustible puede hacer que el combustible y el aceite se separen. Se forman ácidos mientras está guardado. Cuando use combustible con mezcla de alcohol, use combustible nuevo (almacenado durante menos de 60 días).

Uso de los combustibles de mezcla

Si decide usar un combustible de mezcla o si su uso es inevitable, le recomendamos que tome las siguientes precauciones:

- Use siempre una mezcla fresca de gasolina según lo indica su manual del operador
- Use el aditivo especial de gasolina STA-BIL® o uno similar
- Drene el tanque y haga funcionar el motor en seco antes de guardar la unidad

Uso de aditivos en el combustible

El uso de aditivos en el combustible, como el estabilizador de gasolina STA-BIL® o similar, inhibirá la corrosión y reducirá la formación de depósitos de goma. El uso de aditivos puede evitar que se formen depósitos dañinos en el carburador por hasta ocho (8) meses. Agregue 23 ml (0,8 de onza) de aditivo por galón de combustible de acuerdo a las instrucciones del envase. No agregue NUNCA los aditivos directamente al tanque de combustible de la unidad.

INFORMACION DEL ACEITE Y COMBUSTIBLE

CARGA DE COMBUSTIBLE EN LA UNIDAD



ADVERTENCIA: Cargue el combustible en un área exterior limpia y bien ventilada. Limpie de inmediato todo combustible que se haya derramado. Evite crear una fuente de encendido con el combustible derramado. No arranque el motor hasta que se hayan evaporado los gases del combustible.



ADVERTENCIA: La gasolina es muy inflamable. Los gases pueden explotar si se encienden. Apague siempre el motor y espere que se enfríe antes de cargar el tanque de combustible. No fume mientras llena el tanque. Mantenga las chispas y las llamas lejos del área.

1. Saque la tapa de la gasolina (Fig. 7).



ADVERTENCIA: Saque la tapa del combustible lentamente para evitar lesionarse con el rociado del combustible. No opere nunca la unidad sin la tapa del combustible firmemente colocada en su lugar.

2. Coloque el pico del recipiente de gasolina en el orificio de llenado del tanque de gasolina (Fig. 7) y llene el tanque.

NOTA: No llene el tanque demasiado.

3. Limpie toda la gasolina que pueda haberse derramado.
4. Vuelva a instalar la tapa de la gasolina.
5. Mueva la unidad por lo menos 9,1 m (30 pies) de la fuente y sitio de carga antes de arrancar el motor.

NOTA: Elimine la gasolina vieja de acuerdo a los reglamentos federales, estatales y locales.

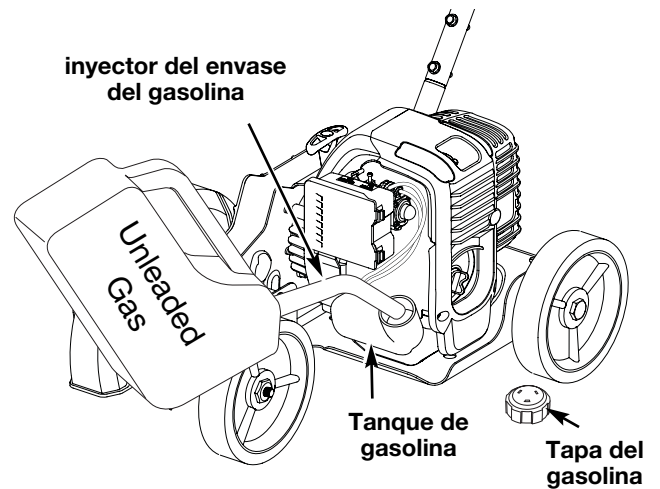


Fig. 7

INSTRUCCIONES DE ARRANQUE Y APAGADO



ADVERTENCIA: Use esta unidad sólo en un área exterior bien ventilada. Los gases de escape de monóxido de carbono pueden ser letales en un área cerrada.



ADVERTENCIA: Evite los arranques accidentales. Colóquese en posición de inicio cuando tire de la cuerda de arranque (Fig. 12). El operador y la unidad deben estar en una posición estable al arrancar la unidad para evitar graves lesiones personales.

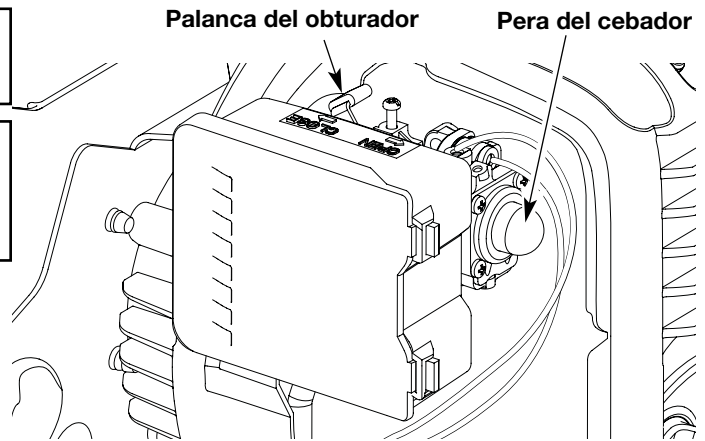


Fig. 9

INSTRUCCIONES DE ARRANQUE

1. Compruebe el nivel de aceite en el cárter. Consulte el tema Cómo comprobar el nivel de aceite.
 2. Llene el tanque de combustible con gasolina sin plomo limpia y fresca. Consulte Cómo llenar la unidad de combustible.
- NOTA:** No hay necesidad de arrancar la unidad. El control de encendido y apagado está en la posición ENCENDIDO (I) en todo momento (Fig. 8).
3. Oprima por completo y libere la pera del cebador 10 veces, lentamente. Deberá verse alguna cantidad de combustible en la pera del cebador y en las tuberías de combustible (Fig. 9). Si no puede ver combustible en la pera, oprima y suelte la pera tantas veces como sea necesario hasta que vea combustible en la misma.
 4. Coloque la palanca del obturador en la Posición 1 (Fig. 10).
 5. Párese en la posición de arranque (Fig. 11). Coloque la palanca del control del regulador en la posición Rápido (R) (Fig. 8) y tire de la cuerda de arranque fuertemente 5 veces.
 6. Coloque la palanca del obturador en la Posición 2 (Fig. 10).
 7. Tire de la cuerda de arranque fuertemente de 1 a 4 veces para arrancar el motor.
 8. Deje que el motor se caliente durante 15 a 30 segundos.
 9. Coloque la palanca del obturador en la Posición 3 (Fig. 10). La unidad está lista para usar.

SI... el motor no arranca, regrese al paso 3.

SI... el motor no arranca después de varios intentos, coloque la palanca del obturador en la Posición 3, mueva la palanca de control del obturador a la posición Rápido (R). Tire de la cuerda de arranque fuertemente de 3 a 8 veces. El motor debe arrancar. Si no lo hace, repita el procedimiento.

INSTRUCCIONES DE PARADA

1. Quite la mano de la traba del embrague de la cuchilla y de la palanca del embrague de la cuchilla, y ponga la palanca del control del regulador en la posición Lento (L). Deje que el motor se enfríe dejándolo funcionar en mínima.
2. Oprima y mantenga oprimido el Control de encendido y apagado en la posición APAGADO (O) hasta que el motor se detenga por completo (Fig. 8).

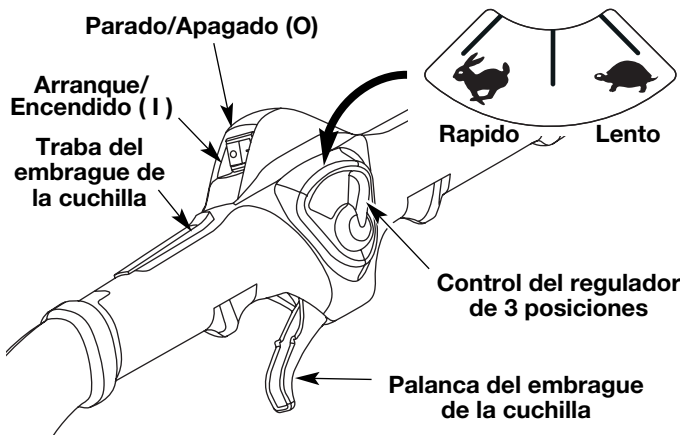


Fig. 8

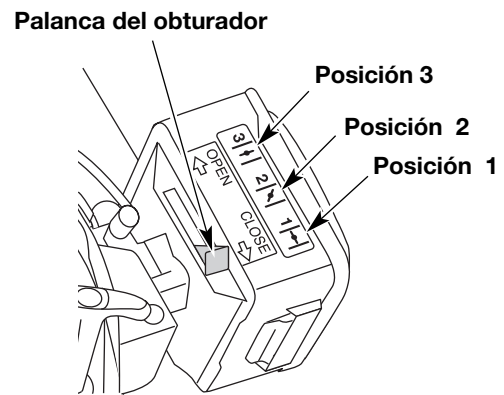


Fig. 10

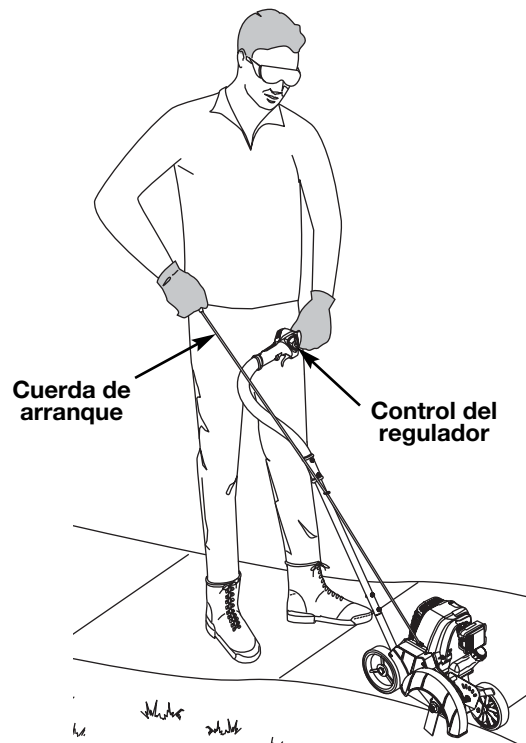


Fig. 11

COMO SOSTENER LA UNIDAD



ADVERTENCIA: Use siempre protector para los ojos, oídos, los pies y el cuerpo a fin de reducir las posibilidades de lesiones al operar esta unidad.

Antes de hacer funcionar la unidad, párese en la posición de funcionamiento (Fig. 12). Compruebe lo siguiente:

- Que el operador use protector para los ojos y ropa adecuada.
- Que ambas manos sujeten la barra de mango firmemente.
- Que la rueda del recortador de bordes esté ajustada para la profundidad de corte adecuada tal como se muestra en la Figura 13 y que el recortador de bordes esté situado como se muestra en la Figura 12.

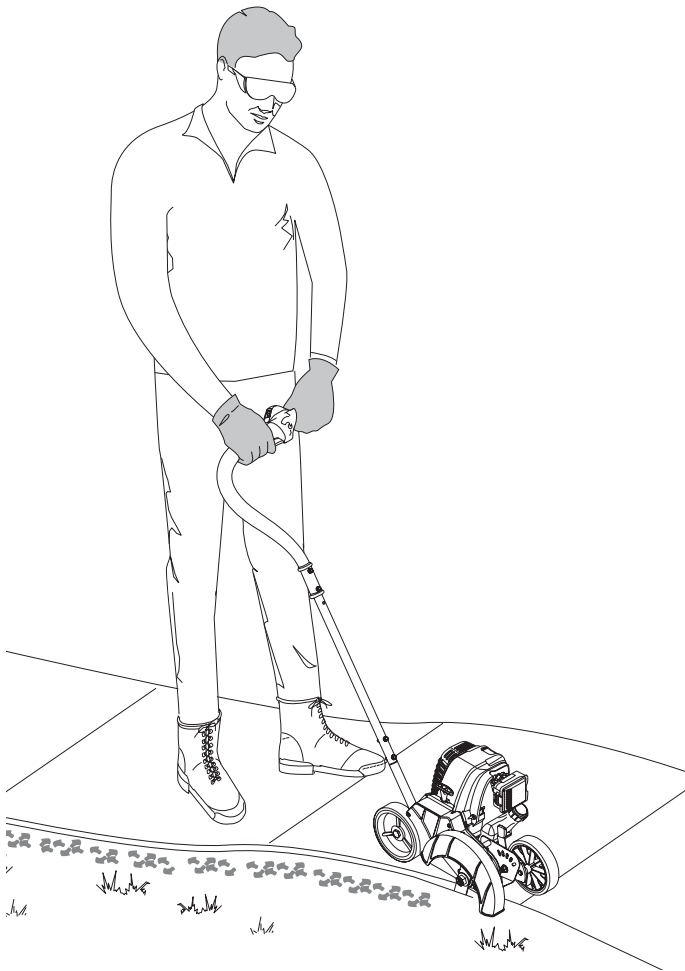


Fig. 12

CÓMO AJUSTAR LA PROFUNDIDAD DE CORTE DEL RECORTADOR DE BORDES

1. Sujete la palanca de ajuste de profundidad situada al lado de la rueda delantera (Fig. 13).
2. Para elevar la cuchilla de corte, mueva la palanca hacia el frente del soporte de la rueda (Fig. 13). Bajar la rueda disminuye la profundidad de corte.
3. Para bajar la cuchilla de corte, mueva la palanca hacia la parte posterior del soporte de la rueda. Elevar la rueda aumenta la profundidad de corte.

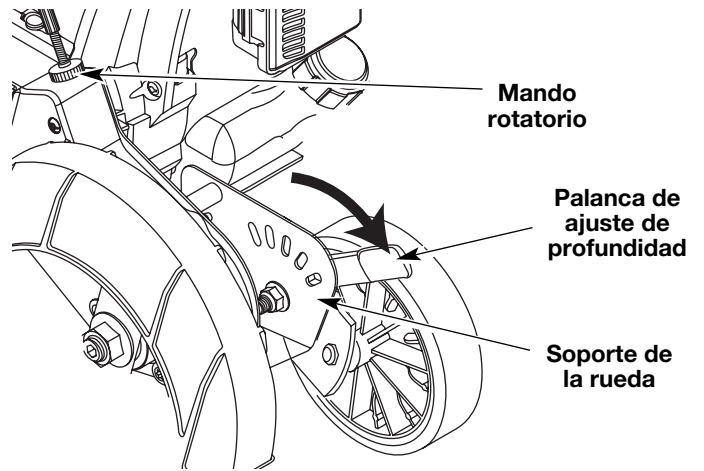


Fig. 13

RECOMENDACIONES PARA OBTENER MEJORES RESULTADOS AL RECORTAR

- No fuerce al recortador de bordes. Recorte la primera vez a una profundidad menor, (No más de 1/2" de profundidad de corte por pase), luego haga otro pase con un ajuste más profundo.
- Camine el recortador de bordes a un paso lento y uniforme
- Revise el estado de la cuchilla. A medida que se desgasta se pone más pequeña, por consiguiente, se reduce el rendimiento de la profundidad de corte. Reemplácela con una cuchilla nueva cuando la cuchilla se haya desgastado hasta los orificios de límite de desgaste de la cuchilla (Fig. 14).

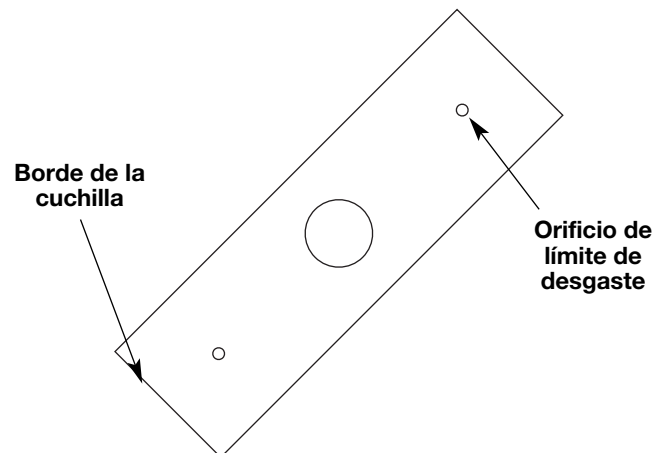


Fig. 14

AJUSTE LA TENSIÓN DE LA CORREA

Si la cuchilla no gira cuando se opriman la traba del embrague de la cuchilla y la palanca del embrague de la cuchilla, entonces:

1. Localice el mando rotatorio pequeño situado en la parte superior de la caja de la correa (Fig. 13).
2. Haga girar el mando hacia la derecha 1 revolución para aumentar la tensión en la correa.
3. Pruebe oprimiendo la traba del embrague de la cuchilla y la palanca del embrague de la cuchilla y fíjese si la cuchilla gira. Si no gira, repita el paso 2 hasta que gire.

INSTRUCCIONES DE MANTENIMIENTO Y REPARACIÓN



ADVERTENCIA: Para evitar lesiones graves, nunca realice trabajos de mantenimiento ni reparaciones con la unidad funcionando. Haga mantenimiento y repare a una unidad fría. Desconecte el cable de la bujía de encendido para asegurarse de que la unidad no pueda arrancar.

PROGRAMA DE MANTENIMIENTO

Lleve a cabo estos procedimientos de mantenimiento requeridos con la frecuencia indicada en la tabla. Estos procedimientos también deben formar parte de cualquier puesta a punto.

NOTA: Es posible que algunos procedimientos de mantenimiento requieran herramientas o habilidades especiales. Si no está seguro sobre estos procedimientos, lleve la unidad a un Troy-Bilt o a otro proveedor de servicio calificado.

FRECUENCIA	MANTENIMIENTO REQUERIDO	VEA
Antes de arrancar el motor	Llene el tanque de combustible con combustible fresco Revise el aceite	Page E6 Page E11
Cada 10 horas	Limpie y vuelva a engrasar el filtro de aire	Page E11
1er cambio a las 10 horas 2do cambio a las 25 horas Cada 25 horas en lo sucesivo	Cambie el aceite Cambie el aceite Limpie el parachispas	Page E11 Page E11 Page E13
1er cambio a las 10 horas 2do cambio a las 25 horas Cada 25 horas en lo sucesivo	Revise el balancín de válvulas para el ajuste de las válvulas y ajústelo Revise el balancín de válvulas para el ajuste de las válvulas y ajústelo Revise el estado y la abertura de la bujía de encendido	Page E12 Page E12 Page E13

REEMPLAZO DE LA CUCHILLA



ADVERTENCIA: Para evitar lesiones personas graves, lleve puesto siempre guantes cuando manipule, quite o instale la cuchilla.

- Coloque la llave tipo "Allen" de 5/16" en el orificio del husillo (Fig. 15).
- Mientras sujeta la llave tipo "Allen" en su lugar, afloje la tuerca con una llave de 15/16" girándola hacia la izquierda (Fig. 15).

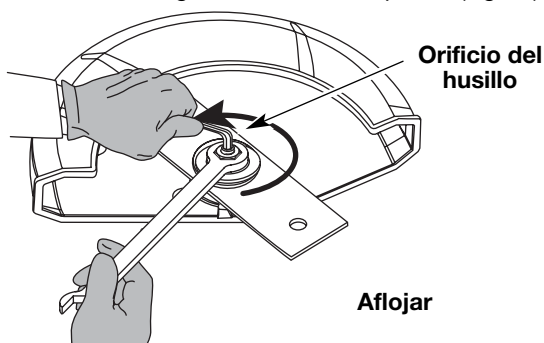


Fig. 15

- Quite la tuerca y la cuchilla. Guarde la tuerca para instalar la cuchilla nueva.
- Instale la cuchilla nueva y la tuerca (Fig. 16).

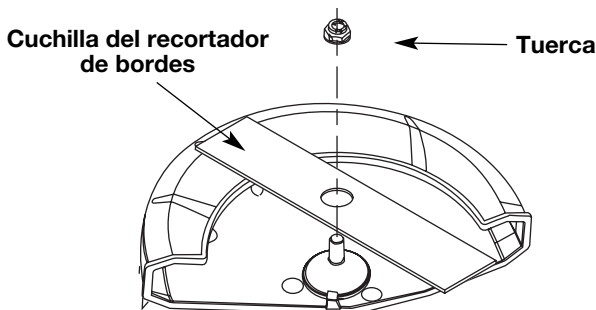


Fig. 16

NOTA: Los trabajos de mantenimiento, reemplazo o reparación del sistema y los dispositivos de control de emisiones pueden ser realizados por un Troy-Bilt o otro proveedor de servicio calificado.

A fin de garantizar que su motor funcione de forma óptima, es posible que sea necesario inspeccionar la lumbrera de escape del motor después de transcurridas 50 horas de funcionamiento. Si observa que ha perdido revoluciones, un mal funcionamiento o falta general de aceleración, es posible que sea necesario realizar este trabajo de mantenimiento. Si cree que su motor necesita esta inspección, encárguele el mantenimiento a un Troy-Bilt o a otro proveedor de servicio calificado para que haga las reparaciones. NO trate de realizar este procedimiento usted mismo ya que puede dañar el motor debido a los contaminantes que conlleva el proceso de limpieza de la lumbrera.

- Mientras sujeta la llave tipo "Allen" en el orificio del husillo, apriete la tuerca girando la llave hacia la derecha hasta que quede apretada (Fig. 17).

NOTA: Asegúrese de que la cuchilla se mantenga plana y en el centro contra el eje de salida durante todo el tiempo de la instalación.

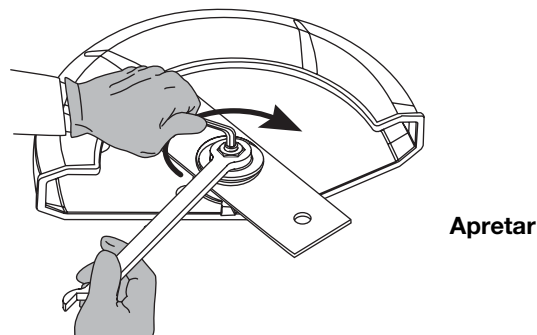


Fig. 17



ADVERTENCIA: Verifique que la hoja quede plana contra el eje de salida después que se apriete la tuerca. Si la cuchilla queda descentrada, se dañará la unidad debido a la vibración, y es posible que la cuchilla salga despedida, lo cual puede ocasionar lesiones personales graves.

ACCESORIOS/PIEZAS DE REEMPLAZO

Cuchilla 753-05562
Tuerca 753-05549

Utilice solamente piezas de reemplazo originales Troy-Bilt.

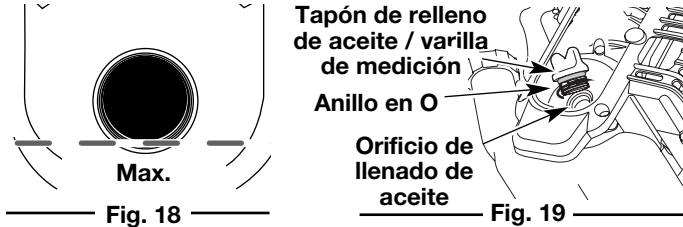
INSPECCION DEL NIVEL DE ACEITE

No podemos exagerar la importancia de verificar y mantener el nivel correcto de aceite en el cárter del cigüeñal. Inspeccione el nivel de aceite antes de cada uso:

1. Apague el motor y permita que el aceite drene dentro del cárter del cigüeñal.
2. Coloque la unidad sobre una superficie plana y nivelada para obtener una lectura correcta del nivel de aceite.
3. Mantenga la suciedad, recortes de césped, etc. fuera del motor. Limpie el área alrededor del tapón de relleno de aceite/varilla de medición antes de retirarlo.
4. Retire el tapón de relleno de aceite / varilla de medición y seque el aceite. Vuelva a insertarlo completamente hacia adentro.
5. Retire el tapón de relleno de aceite / varilla de medición e inspeccione el nivel del aceite. El aceite debe llegar hasta la parte superior de la varilla de medición (Fig. 18).
6. Si el nivel está bajo, agregue una pequeña cantidad de aceite en el orificio de llenado de aceite y vuelva a medir (Fig. 21). Repita hasta que el nivel de aceite llegue hasta la parte superior de la varilla de medición.

NOTA: No llene demasiado la unidad.

NOTA: Verifique que el anillo en O esté en su lugar en el tapón de relleno de aceite / varilla de medición cuando mida y cambie el aceite (Fig. 19).



CAMBIO DEL ACEITE

En un motor nuevo, cambie el aceite después de las 10 primeras horas de operación. Cambie el aceite mientras el motor aún está caliente. El aceite fluirá con libertad y llevará más impurezas.

ADVERTENCIA: Use guantes para evitar sufrir lesiones cuando maneje la unidad.

1. Desenchufe el manguito de la bujía de encendido para eliminar el arranque.
2. Retire el tapón de relleno de aceite / varilla de medición.
3. Vierta el aceite fuera del orificio de llenado de aceite en un recipiente inclinando la unidad hasta una posición vertical (Fig. 20). Deje suficiente tiempo como para completar el drenaje.
4. Seque todo el aceite residual de la unidad y limpie todo el aceite que pueda haberse derramado. Elimine todo el aceite de acuerdo con las normas federales, estatales y locales.
5. Vuelva a cargar el cárter del cigüeñal con 90 ml (3,04 onzas fluidas) de aceite SAE 30 SF, SG, SH.

NOTA: Use la botella y la boquilla que guardó del uso inicial para medir la cantidad correcta. El nivel de 90 ml (3,04 onzas) está aproximadamente en la parte superior de la etiqueta de la botella (Fig. 26). Mida el nivel con la varilla de medición. Si el nivel está bajo, agregue una pequeña cantidad de aceite y vuelva a medir (Fig. 25). No lo llene demasiado.

6. Vuelva a colocar el tapón de relleno de aceite / varilla de medición.
7. Vuelva a conectar el manguito de la bujía de encendido.

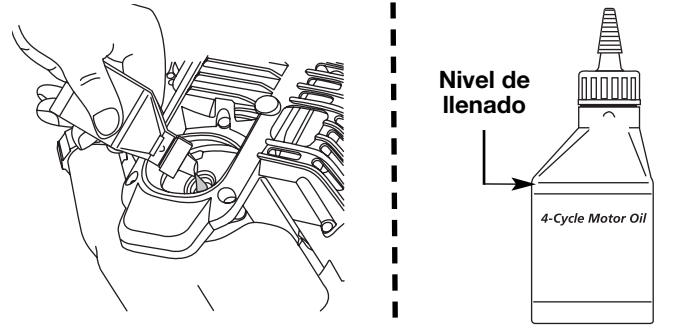
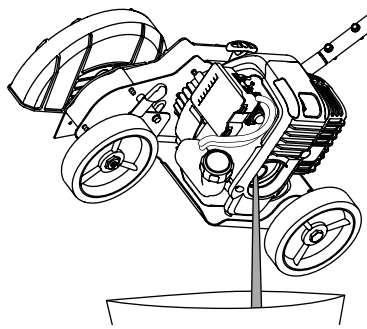


Fig. 21

MANTENIMIENTO DEL FILTRO DE AIRE



ADVERTENCIA: Para evitar graves lesiones personales, apague siempre su recortador y espere que se enfríe antes de limpiarlo o realizar todo tipo de mantenimiento.

Limpieza del filtro de aire

Limpie y vuelva a aceitar el filtro de aire cada 10 horas de operación. Es una de las partes cuyo mantenimiento es importante. No mantener debidamente su filtro de aire puede resultar en funcionamiento inadecuado o puede causar daño permanente a su motor.

1. Abra la cubierta del filtro de aire. Empuje hacia adentro la orejeta del lado derecho de la cubierta, y extraiga la cubierta del filtro de aire hacia afuera y hacia la izquierda (Fig. 22).

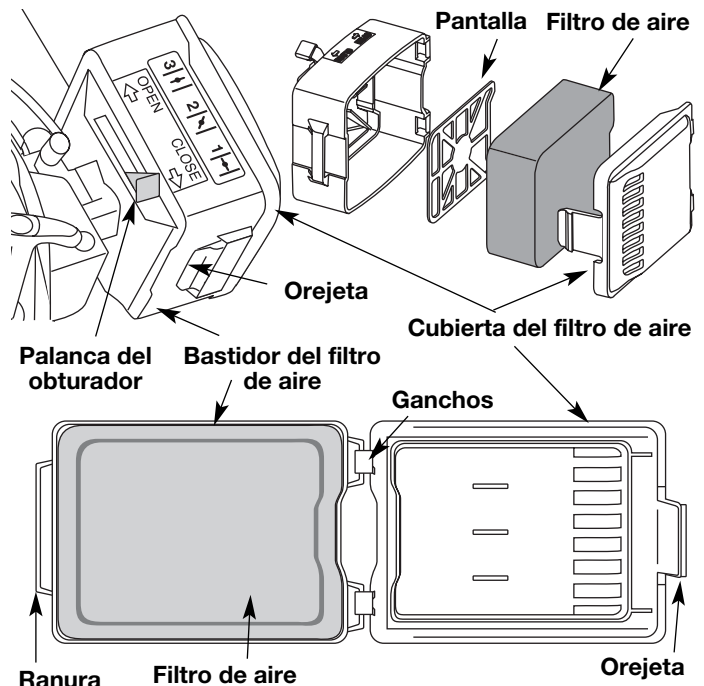


Fig. 22

NOTA: Es posible que deba retirar la tapa de combustible para poder retirar por completo la cubierta del filtro de aire.

2. Retire el filtro de aire (Fig. 22).
3. Lave el filtro con agua y detergente (Fig. 23). Enjuague bien el filtro y déjelo secar.
4. Aplique suficiente aceite limpio de motor SAE 30 para recubrir ligeramente el filtro (Fig. 24).
5. Apriete el filtro para esparcir y retirar el exceso de aceite (Fig. 25).
6. Vuelva a colocar el filtro (Fig. 22).

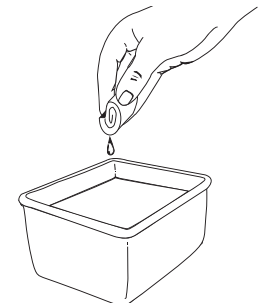


Fig. 23

NOTA: Si opera la unidad sin el filtro de aire, su garantía será **ANULADA**.

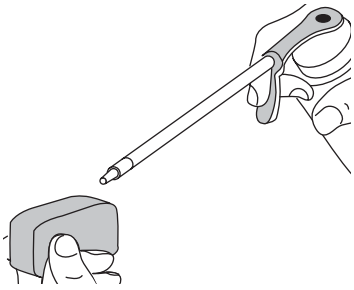


Fig. 24

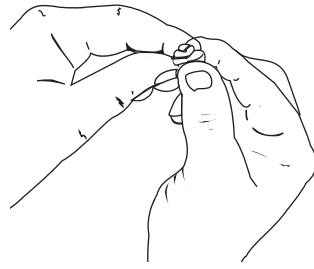


Fig. 25

- Vuelva a instalar la cubierta del filtro de aire. Coloque los ganchos del lado derecha de la cubierta del filtro de aire en las ranuras del lado derecha de la placa posterior (Fig. 22).
- Mueva la cubierta hacia la izquierda derecha hasta que la orejeta del filtro de aire calce en su lugar en la ranura de la placa posterior (Fig. 22).

AJUSTE DEL CARBURADOR

La velocidad mínima del motor puede ser ajustada. Puede tener acceso al tornillo de ajuste de mínima a través de un orificio en la parte superior de la cubierta del motor (Fig. 26).

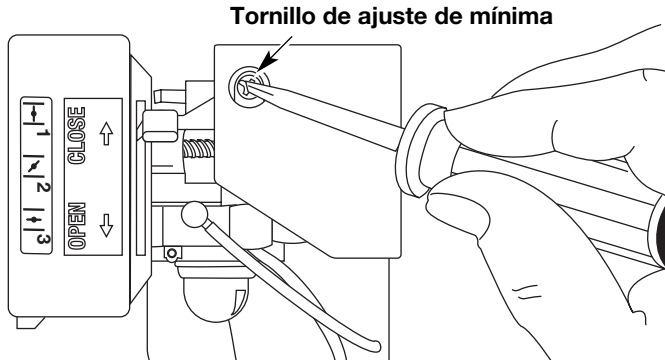


Fig. 26

NOTA: Los ajustes descuidados pueden dañar su motor seriamente. Los ajustes del carburador deben ser realizados por un proveedor de servicio autorizado.

Inspección del Combustible

En general, el combustible viejo es el motivo principal para que la unidad no funcione en forma adecuada. Drene y vuelva a llenar el tanque con combustible nuevo, limpio y sin plomo antes de hacer ningún ajuste. Consulte la *Información del Aceite y Combustible*.

Ajuste del Tornillo de Velocidad Mínima

Si después de inspeccionar el combustible y limpiar el filtro de aire el motor aún no funciona en mínima, ajuste el tornillo de velocidad mínima según se indica a continuación.

- Arranque el motor y déjelo funcionar a una mínima alta durante un minuto para que se caliente.
- Suelte el gatillo del regulador (➡) y deje que el motor funcione en mínima. Si el motor se para, inserte un destornillador Phillips pequeño en el orificio de la cubierta del motor (Fig. 26).

NOTA: No conecte la Palanca del Embrague de la Cuchilla mientras ajusta el tornillo de marcha en vacío para asegurarse de que la cuchilla no gire.



ADVERTENCIA: Para evitar lesiones personas graves, asegúrese de que la cuchilla se haya detenido.

- Gire el tornillo de mínima hacia adentro, en sentido horario, de a 1/8 de vuelta por vez (según sea necesario) hasta que el motor funcione en mínima suavemente.

La inspección del combustible, la limpieza del filtro de aire y el ajuste del tornillo de velocidad mínima debe resolver la mayoría de los problemas del motor. Si esto no sucede, y:

- El motor no funciona en mínima
- El motor fluctúa o se ahoga al acelerarlo
- Existe una pérdida de fuerza motriz

lleve el carburador a ajustar a un proveedor de servicio autorizado.

HUELGO DEL BRAZO OSCILANTE

Esto requiere el desarmado del motor. Si usted siente que no está seguro, lleve la unidad a un centro de servicio autorizado.

NOTA: Inspeccione el huelgo de la válvula del brazo oscilante con una galga después de las primeras 10 horas de operación y luego cada 25 horas de operación en lo sucesivo.

- El motor debe estar frío cuando verifique o ajuste el huelgo de la válvula.
- Esta tarea debe ser realizada en interiores, en un área limpia y libre de polvo.

- Quite los seis (6) Tornillos de encima de la tapa del motor con un destornillador de pala o Torx #25 (Fig. 27).

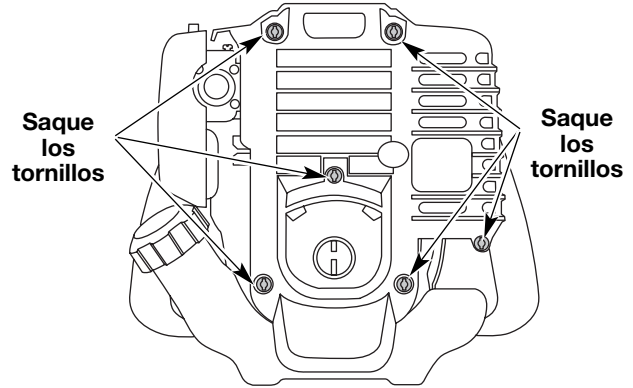


Fig. 27

- Desconecte el cable de la bujía de encendido.
- Limpe la suciedad de alrededor de la bujía de encendido. Saque la bujía de encendido de la cabeza del cilindro girando un casquillo de 16mm (5/8 pulgadas) en sentido antihorario.
- Saque la cubierta del motor (Fig. 27).
- Limpe la suciedad de alrededor de la cubierta del brazo oscilante. Saque el tornillo que sostiene la cubierta del brazo oscilante con un destornillador grande de broca Torx T-25 (Fig. 28). Saque la cubierta y la junta del brazo oscilante.



Fig. 28

- Tire lentamente de la cuerda de arranque para traer el pistón hacia la parte superior de su recorrido (conocido como punto muerto superior). Verifique que:
 - El pistón se encuentre en la parte superior de su recorrido mientras mira dentro del orificio de la bujía de encendido (Fig. 29).

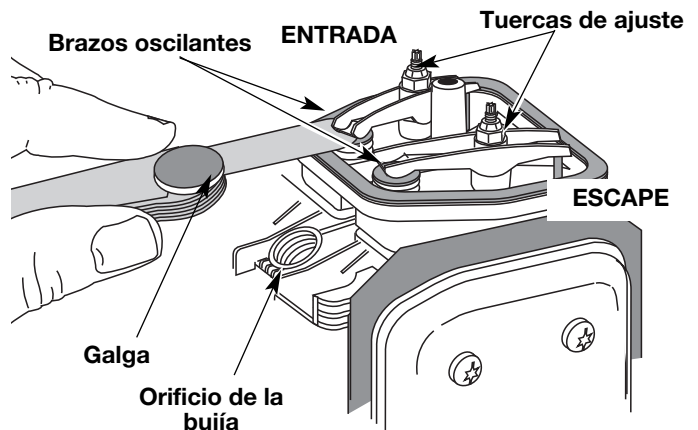


Fig. 29

- Ambos brazos oscilantes se mueven con libertad, y ambas válvulas están cerradas
- De no ser así, repita este paso.

- Deslice la galga entre el brazo oscilante y el resorte de retorno de la válvula. Mida el huelgo entre el vástago de la válvula y el brazo oscilante (Fig. 29). Realice esto en las válvulas de entrada y de escape.

El huelgo recomendado para las válvulas de entrada y de escape es 0,076 – 0,152 mm (0,003 – 0,006 pulgadas). Use un calibrador regular de automóvil de 0,127 mm (0,005 pulgadas). El calibrador debe deslizarse entre el balancín y el vástago de la válvula con una ligera cantidad de resistencia, sin doblarse (Fig. 29 y 30).

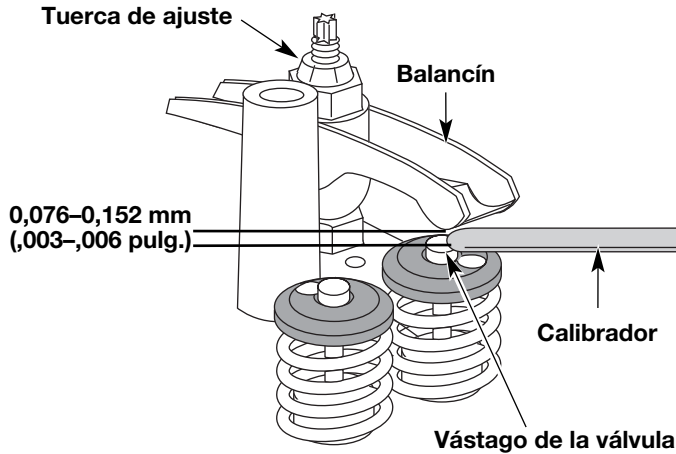


Fig. 30

- Si el huelgo no se encuentra dentro de las especificaciones:
 - Gire la tuerca de ajuste con una llave de 8 mm (5/16 pulgadas) o una guía de tuercas (Fig. 29).
 - Para incrementar el huelgo, gire la tuerca de ajuste en sentido antihorario.
 - Para reducir el huelgo, gire la tuerca de ajuste en sentido horario.
 - Vuelva a inspeccionar ambos huelgos, y ajuste si es necesario.
- Vuelva a instalar la cubierta del brazo oscilante utilizando una nueva junta. Ajuste el tornillo a 2,2–3,4 N•m (20–30 pulgadas•libra).
- Inspeccione la bujía de encendido y vuelva a instalar. Lea *Cambio de la Bujía de encendido*.
- Vuelva a colocar el cable de la bujía de encendido.
- Vuelva a instalar la cubierta del motor. Verifique la alineación de la cubierta antes de ajustar los tornillos. Ajuste los tornillos.

CAMBIO DE LA BUJIA DE ENCENDIDO

Use una bujía de encendido **791-180852B**. La separación correcta es de 0,635 mm (0,025 pulg). Retire la bujía luego de cada 25 horas de operación e inspeccione su estado.

- Apague el motor y espere que se enfríe. Tome el alambre de la bujía con firmeza y saquelo de la bujía de encendido.
- Desconecte el cable de la bujía de encendido.
- Limpie alrededor de la bujía de encendido. Saque la bujía de encendido de la cabeza del cilindro girando una llave de casquillo de 16 mm (5/8 de pulgada) en sentido antihorario.



PRECAUCIÓN: No limpie con chorro de arena, ni raspe ni limpie los electrodos. El motor podría dañarse si penetran pequeñas partículas en el cilindro.

- Cambie las bujías que estén rajadas, sucias o deterioradas. Fije la separación de aire a 0,635 mm (0,025 pulgadas) utilizando un calibrador (Fig. 31).
- Instale una bujía de encendido con la separación correcta en la cabeza del cilindro. Ajuste girando la llave de casquillo 16 mm (5/8 de pulgada) en sentido horario hasta que esté ajustada sin huelgo.

Si usa una llave de torsión, ajuste a: **110-120 pulg.•libras (12.3-13.5 N•m)**
No ajuste demasiado.

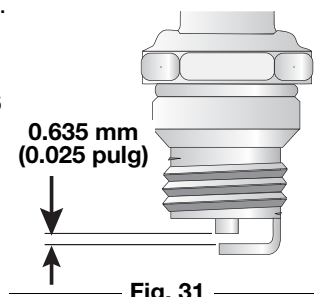


Fig. 31

MANTENIMIENTO DEL AMORTIGUADOR DE CHISPAS

- Saque la cubierta del amortiguador de chispas. Lea *Huelgo del brazo oscilante*.
- Con un destornillador de vástago plano o broca Torx T20 o Torx T25, saque el tornillo que conecta la cubierta del amortiguador de chispas al silenciador (Fig. 32).

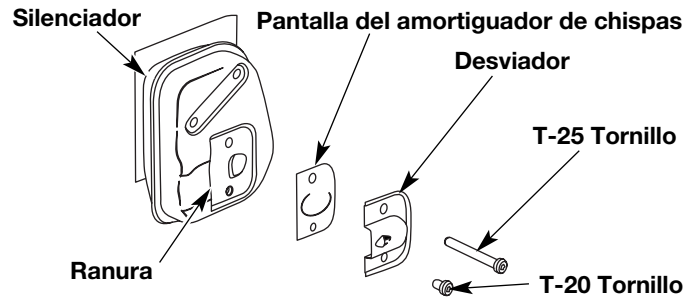


Fig. 32

- Saque la orejeta de la cubierta del amortiguador de chispas fuera del silenciador. Retire la cubierta del amortiguador de chispas.
- Saque la pantalla del amortiguador de chispas de la cubierta del amortiguador de chispas.
- Limpie la pantalla del amortiguador de chispas con un cepillo de alambre, o cámbiela.
- Vuelva a instalar la pantalla del amortiguador de chispas, la cubierta del amortiguador de chispas y el tornillo.

LIMPIEZA



ADVERTENCIA: Para evitar graves lesiones personales, apague siempre su unidad y espere que se enfríe antes de limpiarlo o realizar cualquier tipo de mantenimiento.

Use un cepillo pequeño para limpiar la parte exterior de la unidad. No use detergentes fuertes. Los limpiadores domésticos que contienen aceites aromáticos como pino y limón, y con solventes como el queroseno pueden dañar el bastidor de plástico y la manija. Seque toda la humedad con un paño suave.

ALMACENAMIENTO

- No guarde nunca la unidad con combustible en el tanque donde los vapores puedan llegar a una llama o chispa.
- Espere que el motor se enfríe antes de guardar la unidad.
- Guarde la unidad bajo llave para prevenir el uso por personas no autorizadas y su daño.
- Guarde la unidad en un área seca y bien ventilada.
- Guarde la unidad fuera del alcance de los niños.

ALMACENAMIENTO POR LARGOS PERIODOS DE TIEMPO

Si debe guardar la unidad durante un largo período de tiempo:

- Drene toda la gasolina del tanque en un recipiente. No use gasolina que haya estado guardada durante más de 60 días. Elimine la gasolina vieja de acuerdo con las normas federales, estatales y locales.
- Arranque el motor y déjelo funcionar hasta que se ahogue. Esto asegura que toda la gasolina se haya drenado del carburador.
- Deje enfriar el motor. Saque la bujía de encendido y coloque 5 gotas de aceite de motor de buena calidad en el cilindro. Tire de la cuerda de arranque lentamente para distribuir el aceite. Vuelva a instalar la bujía de encendido.

NOTA: Saque la bujía de encendido y drene todo el aceite del cilindro antes de intentar usar el recortador de bordes luego de haber estado guardado.

- Cambie el aceite. Lea *Cambio del Aceite*. Elimine el aceite viejo de acuerdo con las normas federales, estatales y locales.
- Limpie bien la unidad y verifique que no existan partes flojas ni dañadas. Repare o cambie las partes dañadas y ajuste los tornillos, las tuercas o los pernos que estén flojos. La unidad está lista para ser guardada.

TRANSPORTE

- Deje enfriar el motor antes de transportar la unidad.
- Asegure la unidad durante su transporte.
- Drene el tanque de gasolina antes de transportar la unidad.
- Ajuste la tapa de la gasolina antes de transportar la unidad.

RESOLUCIÓN DE PROBLEMAS

EL MOTOR NO ARRANCA

CAUSA	ACCIÓN
El tanque de combustible está vacío	Llene el tanque con combustible bien mezclado
La bombilla de cebado no fue oprimida lo suficiente	Oprima la bombilla de cebado total y lentamente de 10 veces
El combustible es viejo	Drene el tanque de gasolina / Agregue combustible nueva
La bujía de encendido está arruinada	Cambie o limpie la bujía de encendido
Parachispas obstruido	Limpie o cambie el parachispas

EL MOTOR NO FUNCIONA EN MINIMA

CAUSA	ACCIÓN
El filtro de aire está obstruido	Cambie o limpie el filtro de aire
El combustible es viejo	Drene el tanque de gasolina / Agregue combustible nueva
El carburador no está ajustado en forma correcta	Ajuste según las instrucciones

EL MOTOR NO ACELERA

CAUSA	ACCIÓN
El combustible es viejo	Drene el tanque de gasolina / Agregue combustible nueva
La cuchilla está atascado de hierba	Pare el motor y limpie la cuchilla
El filtro de aire está sucio	Limpie o cambie el filtro de aire
Parachispas obstruido	Limpie o cambie el parachispas

EL MOTOR NO TIENE SUFICIENTE POTENCIA O SE AHOGA AL CORTAR

CAUSA	ACCIÓN
El combustible es viejo	Drene el tanque de gasolina / Agregue combustible nueva
La bujía de encendido está arruinada	Cambie o limpie la bujía de encendido
Parachispas obstruido	Limpie o cambie el parachispas
Profundidad de corte de la cuchilla demasiado profundo	Ajuste la profundidad de corte de la cuchilla

LA CUCHILLA NO GIRA

CAUSA	ACCIÓN
La cuchilla está atascada con hierba	Pare el motor y limpie la cuchilla
La correa de transmisión está floja	Ajuste la tensión de la correa utilizando la rueda tensora
La correa de transmisión está rota	Reemplace la correa

Si necesita asistencia adicional, comuníquese con su proveedor de servicio autorizado.

ESPECIFICACIONES

MOTOR*

Tipo de motor	Enfriado por aire, 4 tiempos
Desplazamiento	29 cc (1.8 pulgadas cúbicas)
R.P.M. de operación	6.800+ r.p.m.
R.P.M. de velocidad mínima	2.800-3.600 r.p.m.
Tipo de encendido	Electrónico
Interruptor de encendido	Interruptor oscilante
Huelgo de la válvula (entrada y escape)	0,076 – 0,152 mm (0,003 – 0,006 pulg.)
Separación de la bujía de encendido	0,635 mm (0,025 pulg.)
Lubricación	Aceite SAE 30
Capacidad de aceite del cárter del cigüeñal	90 ml (3,04 onzas)
Combustible	Sin plomo
Carburador	Diafragma, multiposicional
Arranque	Rebobinado automático
Silenciador	Desviado con protección
Regulador	Retroceso de resorte
Capacidad del tanque de combustible	414 ml (14 onzas)

LA UNIDAD*

Peso de la unidad	10,02 kg (22,1 lbs)
Profundidad de corte (Máximo)	44,5 mm (1,75 pulgadas)

* Toda las especificaciones contenidas en este manual se basan en la información más reciente disponible en el momento de impresión del manual. Nos reservamos el derecho de hacer cambios en cualquier momento sin aviso previo.

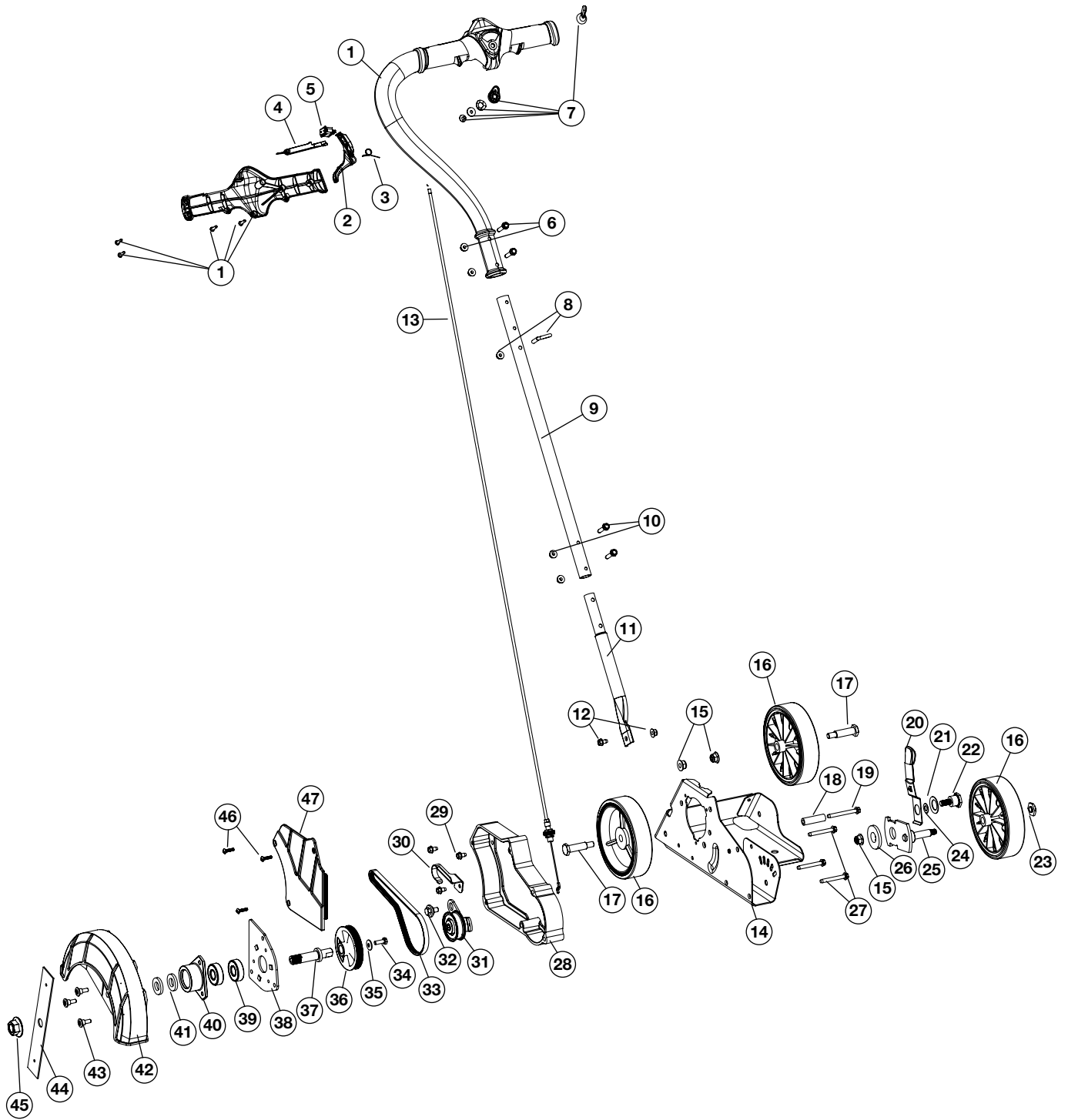
PARTS LIST

**REPLACEMENT PARTS - MODEL TBE515
4-CYCLE GAS EDGER**

Item	Part No.	Description	Item	Part No.	Description
1	753-05206	Engine Cover Assembly (includes 2 & 3)	30	753-04030	O-Ring
2	753-04595	Cover Screw	31	753-05507	Air Filter Mounting Screw
3	753-05377	Screw	32	753-05505	Air Cleaner Cover Assembly (includes 33, 34 & 37-39)
4	753-05209	Rocker Cover	33	791-182097	Breather Tube
5	753-05210	Rocker Cover O-Ring	34	791-181000	Grommet Washer
6	753-05228	Cylinder Assembly (includes 3, 5 & 9)	35	791-182409	Washer
7	753-05229	Piston Ring Assembly	36	753-04993	Nut
8	753-05230	Piston Assembly (includes 7)	37	753-182657	Air Filter Plate
9	753-05232	Cylinder O-Ring	38	753-05506	Air Filter
10	791-182379	Breather Hose	39	791-182659	Air Filter Cover
11	753-05236	Oil Plug (includes 12)	40	753-05256	Fuel Tank Assembly w/Fuel Lines (includes 41)
12	791-182290	Oil Plug O-Ring	41	753-1229	Fuel Cap
13	753-05237	Crankcase Cover	42	753-05259	Fuel Tank Pads
14	753-05238	Crankcase Cover O-ring	43	753-05260	Push Nut
15	753-05503	Crankcase Assembly (includes 9, 10, 14 & 16)	44	753-1202	Pressure Plate Screw
16	753-05240	Flywheel Assembly	45	753-05074	Pressure Plate (includes 44)
17	753-05241	Cam Bracket Assembly (includes 18)	46	753-05078	Spacer
18	753-05242	Cam Bracket Screw	47	753-05435	Starter Assembly (includes 48)
19	753-05504	Lead Wires	48	753-05509	Rope
20	753-05243	Module Assembly	49	753-04286	Recoil Spring
21	753-05244	Muffler Gasket	50	791-181079	Handle
22	753-05245	Muffler Assembly (includes 21 & 23)	51	791-611061	Rope Guide
23	753-05246	Muffler Screw	52	753-05262	Starter Housing Assembly (includes 3 & 43-51)
24	753-05255	Spark Plug	53	791-182396	Washer
25	753-05247	Insulator Gasket	54	753-04595	Screw
26	753-05248	Nut	*	753-05297	Spark Arrestor Assembly
27	753-05249	Insulator (includes 28)	*	753-05511	Shortblock Assembly (includes 3-12, 14, 15, 17 & 24)
28	753-05366	Carburetor Gasket			
29	753-05251	Carburetor w/Primer			

PARTS LIST

REPLACEMENT PARTS - MODEL TBE515
4-CYCLE GAS EDGER



PARTS LIST

REPLACEMENT PARTS - MODEL TBE515 4-CYCLE GAS EDGER

<u>Item</u>	<u>Part No.</u>	<u>Description</u>	<u>Item</u>	<u>Part No.</u>	<u>Description</u>
1	753-05563	Handle Assembly (includes 2-7)	26	753-05537	Height Adjustment Spacer
2	753-05517	Throttle Trigger	27	753-05538	Spindle Plate Screw
3	753-05518	Throttle Trigger Spring	28	753-05559	Spindle Spacer
4	753-05515	Blade Lockout Lever	29	753-05528	Screw
5	753-05522	Switch Assembly	30	753-05553	Belt Retainer
6	753-05523	Upper Handle Screw & Nut Assembly	31	753-05540	Idler Pulley Assembly
7	753-05514	Throttle Lever Assembly	32	753-05541	Shoulder Screw
8	753-05524	Starter Rope Guide Assembly	33	753-05560	Belt
9	753-05558	Middle Handle Assembly (includes 10)	34	753-05554	Screw
10	753-05526	Middle Handle Screw & Nut Assembly	35	753-05555	Washer
11	753-05557	Lower Handle	36	753-05542	Pulley
12	753-05528	Lower Handle Screw & Nut Assembly	37	753-05543	Blade Spindle
13	753-05561	Clutch Cable	38	753-05544	Spindle Plate
14	753-05539	Edger Frame	39	753-05550	Bearing
15	753-05525	Lock Nut	40	753-05545	Bearing Cup
16	753-05530	Wheel	41	753-05546	Washer
17	753-05529	Wheel Bolt	42	753-05547	Blade Guard
18	753-05556	Spacer	43	753-05548	Screw
19	753-05538	Spacer Screw	44	753-05562	Edger Blade
20	753-05531	Height Adjustment Lever Assembly	45	753-05549	Nut
21	753-05532	Washer	46	753-05551	Screw
22	753-05534	Shoulder Screw	47	753-05552	Belt Cover
23	753-05535	Nut			
24	753-05533	Washer			
25	753-05536	Pivot Arm			

GARANTÍA LIMITADA DEL FABRICANTE PARA:



La garantía limitada establecida a continuación es dada por Troy-Bilt LLC ("Troy-Bilt") con respecto a mercancía nueva que sea comprada y usada en los Estados Unidos, sus posesiones y territorios.

Troy-Bilt garantiza este producto contra defectos en el material y la mano de obra durante un período de dos (2) años, a partir de la fecha de compra original y a su entera opción, arreglará o substituirá, sin costo alguno, cualquier pieza cuyo material o mano de obra se considere defectuoso. Esta garantía limitada se deberá aplicar únicamente si este producto ha sido manejado y mantenido de acuerdo al Manual del Operador incluido con el producto y, si no ha sido sometido a mal uso, abuso, uso comercial, accidente, mantenimiento inapropiado, alteración, vandalismo, hurto, fuego, agua o daños debidos a otros riesgos o desastre natural. Los daños ocasionados por la instalación o el uso de cualquier accesorio o aditamento que no esté aprobado por Troy-Bilt para que sea usado con el (los) producto(s) contemplados en este manual, anularán la garantía con respecto a cualquier daño resultante. Esta garantía está limitada a noventa (90) días a partir de la fecha de compra original de cualquier producto Troy-Bilt que se use para alquiler o para propósitos comerciales, o cualquier otro propósito que genere ingreso.

CÓMO OBTENER SERVICIO: El servicio de garantía se encuentra disponible A TRAVÉS DE SU DISTRIBUIDOR LOCAL AUTORIZADO, AL PRESENTAR UN COMPROBANTE DE COMPRA. Para ubicar al distribuidor de su área, por favor consulte las Páginas Amarillas o contacte al Departamento de Servicio al Consumidor de Troy-Bilt llame al **1-800-828-5500** o, escriba a P.O. Box 361131, Cleveland OH 44136-0019. Si está en Canadá, llame al **1-800-668-1238**. No se aceptará ningún producto que sea enviado directamente a la fábrica, a menos que haya recibido autorización previa por escrito por parte del Departamento de Servicio al Consumidor de Troy-Bilt.

Esta garantía limitada no ofrece cobertura en los siguientes casos:

- A. Sincronizaciones — Bujías, ajustes de carburadores, filtros.
- B. Artículos de desgaste — Botón de tope, carretes externos, línea de corte, carretes internos, polea de arranque, cuerdas de arranque, correas motoras.
- C. Troy-Bilt no le ofrece ninguna garantía a productos que sean vendidos o exportados fuera de los Estados Unidos de Norteamérica, sus posesiones y territorios, excepto aquellos que se vendan a través de los canales de distribución para exportación autorizados por Troy-Bilt.

Troy-Bilt se reserva el derecho a cambiar o mejorar el diseño de cualquier producto Troy-Bilt, sin asumir ninguna obligación para modificar ningún producto fabricado con anterioridad.

Ninguna garantía implícita es aplicable, incluyendo cualquier garantía implícita de comerciabilidad o idoneidad para un propósito particular, después del período de la garantía expresa escrita con anterioridad, con respecto a las piezas identificadas. Ninguna otra garantía expresa dada por cualquier persona o entidad, incluyendo a los distribuidores o minoristas, bien sea escrita u oral, deberá comprometer a Troy-Bilt con respecto a cualquier producto. Durante el período de la Garantía, la solución exclusiva es arreglar o cambiar el producto de la manera establecida anteriormente. (Algunos estados no permiten limitaciones en cuanto al período de duración de una garantía implícita, de manera que puede que la limitación anterior no sea aplicable para usted.)

Las estipulaciones establecidas en esta Garantía ofrecen la solución única y exclusiva que resulte de las ventas. Troy-Bilt no deberá ser responsable de pérdidas o daños incidentales o consecuentes que incluyen, sin limitación, erogación de gastos debido a la sustitución de servicios de mantenimiento de prados, transporte o gastos relacionados, o gastos de alquiler para reemplazar temporalmente un producto bajo garantía. (Algunos estados no permiten limitaciones en cuanto al período de duración de una garantía implícita, de manera que puede que la limitación anterior no sea aplicable para usted.)

La recuperación de cualquier tipo no deberá ser superior al precio de compra del producto vendido en ningún caso. La alteración de las características de seguridad del producto deberá anular la garantía. Usted asume el riesgo y la obligación de la pérdida, daño o lesión en su persona o a su propiedad y / o la de otras personas y sus propiedades, que se origine a raíz del uso o mal uso, o la falta de capacidad para usar el producto.

Esta garantía limitada no deberá cubrir a ninguna otra persona distinta al comprador original, arrendatario original, o la persona para la que se compró en calidad de regalo.

Relación de las leyes estatales con esta Garantía: Esta garantía le confiere derechos legales específicos, y puede que usted también tenga otros derechos, los cuales varían en cada estado.

Para ubicar a su distribuidor de servicio más cercano, llame al **1-800-828-5500** en los Estados Unidos o al **1-800-668-1238** en Canadá.

Troy-Bilt LLC

P.O. Box 361131
Cleveland, OH 44136-0019

Free Manuals Download Website

<http://myh66.com>

<http://usermanuals.us>

<http://www.somanuals.com>

<http://www.4manuals.cc>

<http://www.manual-lib.com>

<http://www.404manual.com>

<http://www.luxmanual.com>

<http://aubethermostatmanual.com>

Golf course search by state

<http://golfingnear.com>

Email search by domain

<http://emailbydomain.com>

Auto manuals search

<http://auto.somanuals.com>

TV manuals search

<http://tv.somanuals.com>