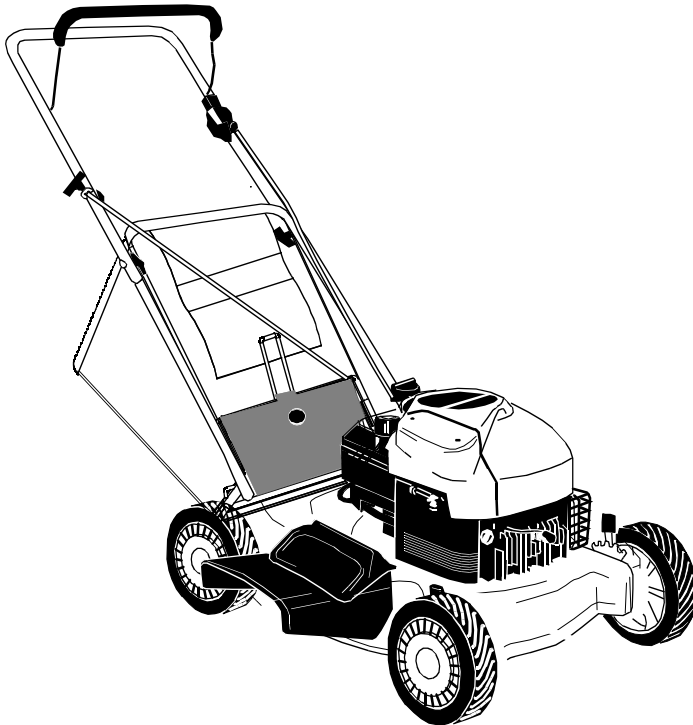




Parts Manual



21" Rear & Side Discharge Mulching Lawn Mower

Model 11A-436N063

IMPORTANT: Read safety rules and instructions carefully before operating equipment.

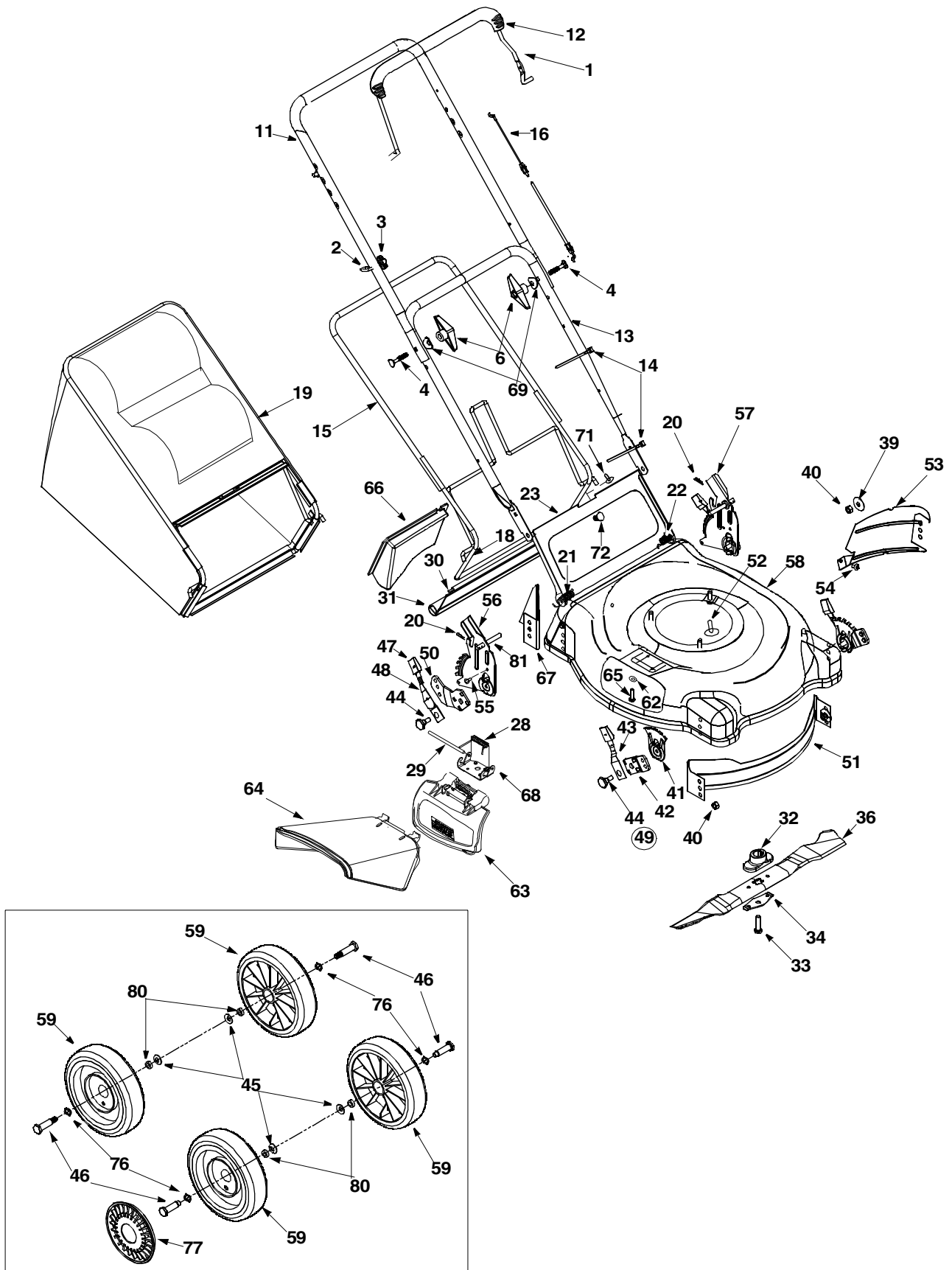
Warning: This unit is equipped with an internal combustion engine and should not be used on or near any unimproved forest-covered, brush-covered or grass-covered land unless the engine's exhaust system is equipped with a spark arrester meeting applicable local or state laws (if any). If a spark arrester is used, it should be maintained in effective working order by the operator. In the State of California the above is required by law (Section 4442 of the California Public Resources Code). Other states may have similar laws. Federal laws apply on federal lands. A spark arrester for the muffler is available through your nearest engine authorized service dealer or contact the service department, P.O. Box 361131 Cleveland, Ohio 44136-0019.

TROY-BILT LLC. P.O. BOX 361131 CLEVELAND, OHIO 44136-0019

PRINTED IN U.S.A.

FORM NO. 769-00010
(11/2001)

SECTION 11: PARTS LIST FOR MODEL 436N

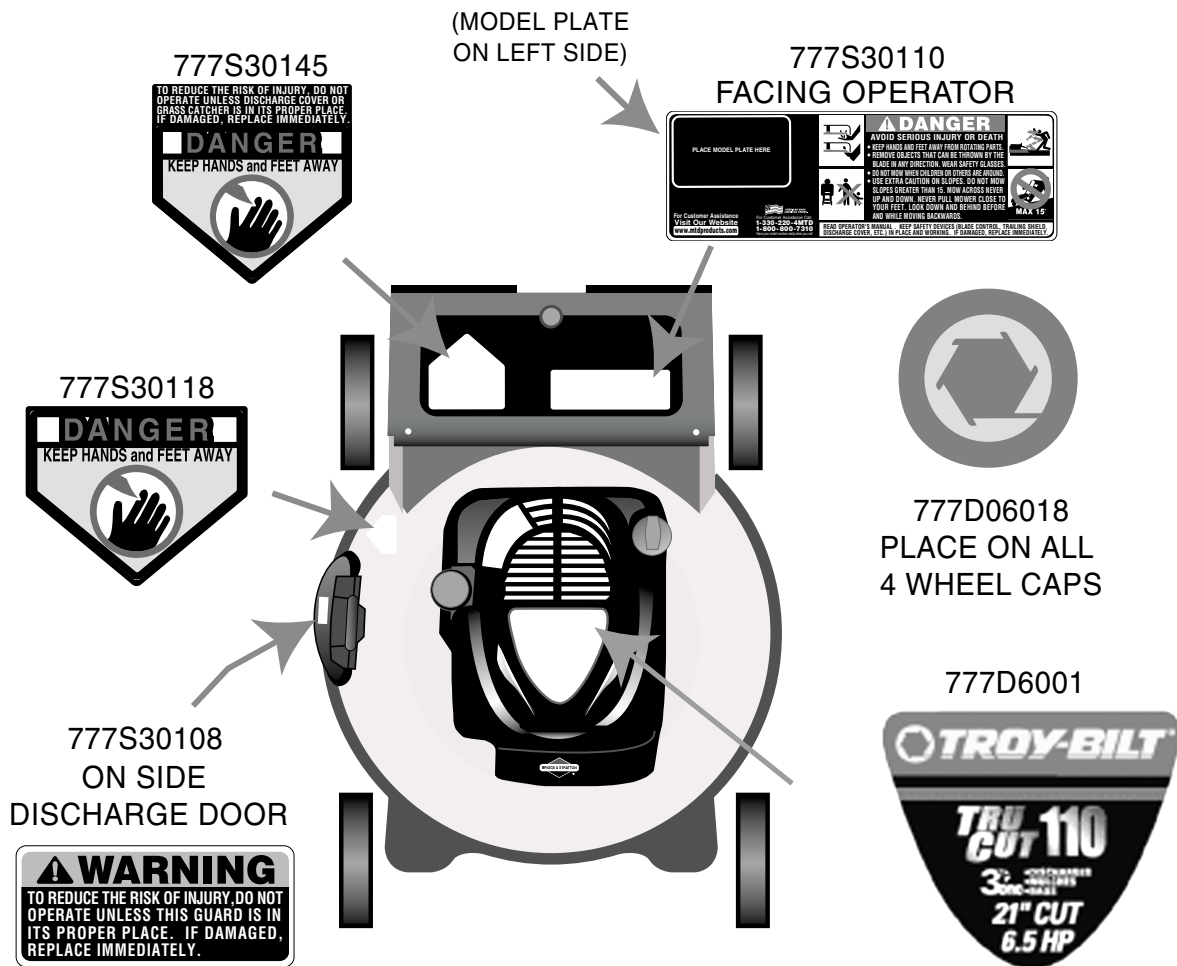


Model 436N

Ref. No	Part No.	Description	Ref. No	Part No.	Description
1	747-1161A	Control Handle	46	738-0213	Axle Bolt
2	710-1205	Rope Guide	47	720-0426	Spring Lever Knob
3	720-0279	Handle Knob 1/4-20 Thd.	48	732-0404	Rear Spring Lever
4	710-1174	Curved Hd. Bolt 5/16-18 x 2"	49	14578	Height Adj. Assy. Comp. - RH
6	720-0284	Hand Knob		14579	Height Adj. Assy. Comp. - LH ‡
11	749-1092A	Upper Handle	50	14765	Pivot Bar R.H.
12	731-2626	Bail Cover	N/I	14766	Pivot Bar L.H.
13	749-0928	Lower Handle	51	782-5002	Front Baffle
14	726-0240	Cable Tie	52	710-0654A	Hex L-Wash.Scr. 3/8-16 x 1"
15	764-0310	Rear Catcher Frame	53	782-5003	Rear Baffle
16	746-1130	Control Cable - 40"	54	710-1017	Torx Mach AB-Tap Scr. 1/4 x.62"
18	764-0311	Front Catcher Frame	55	710-0896	HexIndWash. Scr. 1/4-14:.625
19	664-0176	Grass Bag Assembly: Half Sail	56	682-0516A	Handle Brkt. Ass'y.—RH
20	714-0104	Int. Cotter Pin 5/16" Dia.	57	682-0515A	Handle Brkt. Ass'y.—LH
21	732-0678	Door Spring - R.H.	58	782-0047A	Cutting Deck
22	732-0677	Door Spring - L.H.	59	734-2004A	Wheel
23	782-7000	Rear Discharge Door	62	736-0270	Bell Washer 1/4" I.D.
28	732-0731	Torsion Spring	63	731-1404A	Hinged Mulching Plug
29	747-0710	Hinge Pin	64	731-1409	Chute Deflector: Side Discharge
30	732-0700	Wire Rod	65	710-0599	Hex Hd Self-Tp Scr. 1/4-20 x .5"
31	731-1236	Rear Flap	66	782-5007A	Mulching Baffle Plug
32	753-0588	Blade Adapter (Kit includes 32-34)	67	782-5004	Mulching Baffle - R.R.
	748-0376C	Blade Adapter	68	782-7006	Mounting Bracket
33	710-1044	Hex Bolt 3/8-24 x 1.5" Lg.	69	736-0451	Saddle Washer
34	736-0524A	Blade Bell Support	71	710-0192	Truss Scr. #10-24 x .38" Lg.
36	742-0741	21" Mulching Blade	72	720-0275	Knob
40	712-0431	Flange Nut 3/8-16 Thd.*	76	736-0504	Wave Washer
41	15261A	Height Adj. Plate	77	731-0981A	Hub Cap:Grey
42	15262B	Pivot Bar	80	750-0535	Spacer
43	14832	Front Spring Lever Ass'y. w/Knob	81	710-1248	Weld Pin
44	738-0507B	Shld. Bolt .5" Dia. x .357"	—	735-0639	Spark Plug Boot ‡
45	736-0105	Bell Washer .38" I.D. x .88" O.D.			

‡ Not shown

Safety & Decorative Labels



Free Manuals Download Website

<http://myh66.com>

<http://usermanuals.us>

<http://www.somanuals.com>

<http://www.4manuals.cc>

<http://www.manual-lib.com>

<http://www.404manual.com>

<http://www.luxmanual.com>

<http://aubethermostatmanual.com>

Golf course search by state

<http://golfingnear.com>

Email search by domain

<http://emailbydomain.com>

Auto manuals search

<http://auto.somanuals.com>

TV manuals search

<http://tv.somanuals.com>