



## Parts Catalog

---

# Hydrostatic Drive LTX Tractors

### Models

---

**13123 —14 HP**

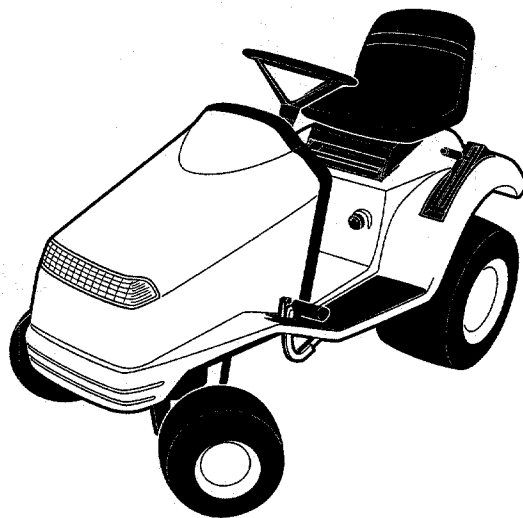
Serial Numbers 13123130101—13123139999

**13104 —15.5 HP**

Serial Numbers 13104120101—13104129999

**13105 —16 HP**

Serial Numbers 13105120101—13105129999



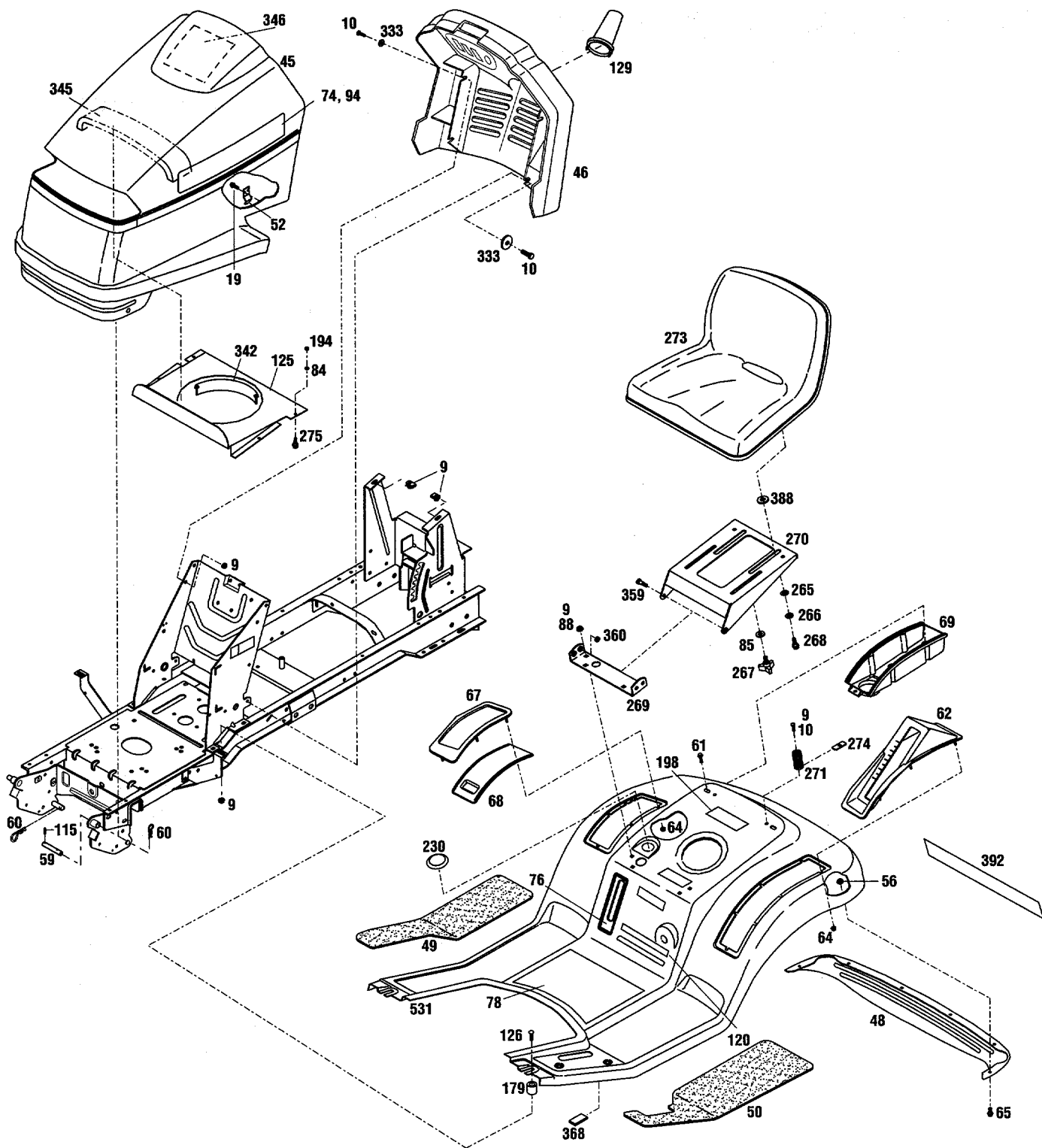
# TROY-BILT® TRACTOR

## BODY & TRIM ASSEMBLY

S/N 13123130101—13123139999

13104120101—13104129999

13105120101—13105129999



# MODELS 13123, 13104 & 13105

Ref.	Part	Description	Qty.
9	1186391	Flange Nut, 5/16-18.....	12
10	1100044	Hex Head Screw, 5/16-18 x 3/4.....	6
19	1772878	Self-Threading Screw, #10.....	4
45	1785382	Hood.....	1
46	1772896	Console.....	1
48	1785331010	Rear Fender Trim.....	1
49	1772846	Right Foot Pad.....	1
50	1772845	Left Foot Pad.....	1
52	1773591	Latch.....	2
56	1186389	Flange Nut, 1/4-20.....	6
57	1781880	Self-Retaining Nut, 5/16-18.....	2
59	1773228	Hood Pivot Pin.....	1
60	1723478	Cotter Spring, 1/8.....	3
61	1186330	Screw, 5/16-18 x 7/8.....	2
62	1772979	Lift Handle Cover (A)(B).....	1
63	1901900	American Legend Decal.....	1
64	1750532	Self-Threading Nut, 1/4.....	12
65	1186309	Flange Screw, 1/4-20 x 1/2.....	4
67	1785493	Storage Top.....	1
68	1785492	Container Cover.....	1
69	1785494	Storage Container.....	1
74	191-5781	Logo Decal, L.H.....	1
76	1773205	Fuel Level Decal.....	1
78	1772985	Tunnel Decal (A)(B).....	1
	1772986	Tunnel Decal (C).....	1
84	1100241	Lockwasher, 1/4 SAE (A)(B).....	2
	1100241	Lockwasher, 1/4 SAE (C).....	4
85	1107383	Flat Washer, 3/8.....	2
88	1186097	Carriage Bolt, 5/16-18 x 5/8.....	4
94	191-5780	Logo Decal, R.H.....	1
115	1120210	Drive Pin, 3/16 x 1.....	1
120	1773223	Height Indicator Decal.....	1
125	1773622001	Upper Heat Shield (C).....	1
126	1186469	Carriage Bolt, 5/16-18 x 3/4.....	2
129	1773236	Steering Cover.....	1

Ref.	Part	Description	Qty.
133	1723384	Washer.....	4
179	1730681	Spacer.....	2
184	1186229	Hex Nut, 1/4-20 (A)(B).....	2
	1186229	Hex Nut, 1/4-20 (C).....	4
198	1767876	Fuel Decal.....	1
230	1768787	Cap.....	1
285	1705783	Nylon Washer, 3/8.....	2
286	1706782	Bowed Washer, 3/8.....	2
287	1734269	Adjusting Knob.....	2
288	1754125	Shoulder Bolt, 3/8-16 x 1/2.....	2
289	1786075001	Seat Bracket.....	1
270	1786074001	Seat Support.....	1
271	1786077	Compression Spring.....	2
273	1774127	High Back Seat.....	1
274	1786347	Spring Hold-Down Bracket.....	2
275	1111589	Screw, 1/4-20 x 5/8 (A)(B).....	2
	1111589	Screw, 1/4-20 x 5/8 (C).....	4
333	1723384	Flat Washer, 5/16 x 1-1/2.....	4
342	1767897	Heat Shield Gasket (C).....	1
345	1767898	Sealing Strip (C).....	1
346	1773105	Service Decal.....	1
359	1100913	Hex Head Screw, 3/8-16 x 7/8.....	2
380	1110108	Locknut, 3/8-16.....	2
388	1767985	Pad.....	1
388	1893445	Flat Washer, 3/8.....	2
392	1915505	Decal, Model (A).....	1
	1772804	Decal, Model (B).....	1
	1772805	Decal, Model (C).....	1
531	1772963	Rear Fender (A)(B) (Incl. Refs. 78 & 198).....	1
	1772964	Rear Fender (C) (Incl. Refs. 78 & 198).....	1
600	1785222	Black Spray Paint, 13 oz.....	NI
601	1900706	Red Spray Paint, 13 oz.....	NI

(A)—Model 13123

(B)—Model 13104

(C)—Model 13105

NI - Not included with unit—order separately.

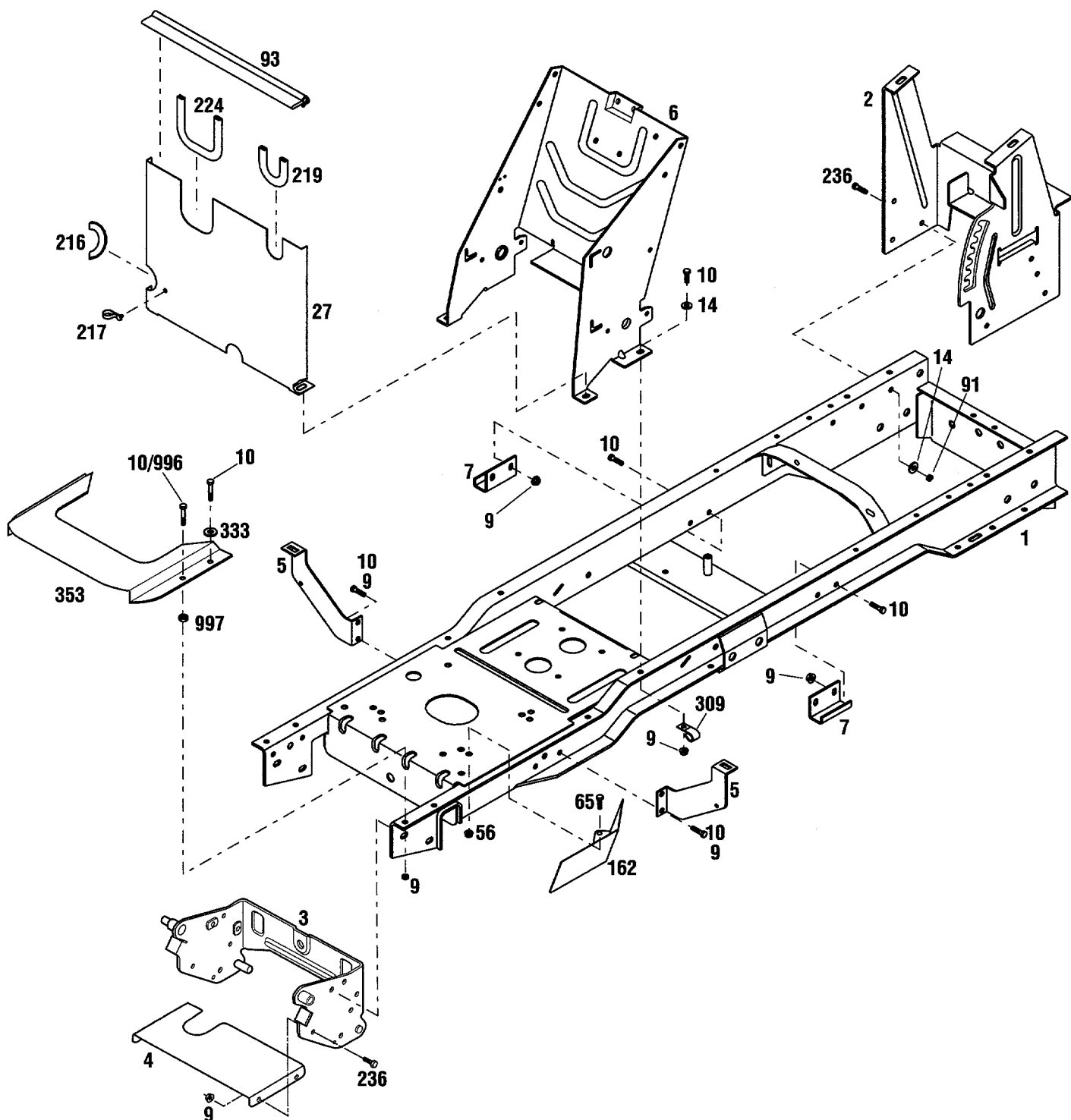
# TROY-BILT® TRACTOR

## FRAME ASSEMBLY

S/N 13123130101—13123139999

13104120101—13104129999

13105120101—13105129999



# MODELS 13123, 13104 & 13105

Ref.	Part	Description	Qty.
1	1772924001	Frame.....	1
2	703-3308	Rear Tank Support.....	1
3	1772809001	Attachment Bracket .....	1
4	1772807001	Heat Shield .....	1
5	1765431001	Fender Support (A)(B).....	2
	1765431001	Fender Support (C).....	1
6	703-3293	Console Support.....	1
7	1766086001	Mower Stop (C).....	2
9	1186391	Flange Nut, 5/16-18.....	20
10	1100044	Hex Head Screw, 5/16-18 x 3/4.....	16
11	1185798	Hex Head Screw, 3/8-16 x 1/2.....	4
14	1107382	Flat Washer, 5/16.....	8
27	1768826001	Heat Shield (C).....	1
56	1186389	Flange Nut, 1/4-20.....	1

Ref.	Part	Description	Qty.
65	1186309	Flange Screw, 1/4-20 x 1/2 .....	1
91	1732499	Locknut, 5/16-18.....	4
93	1768834	Heat Shield Gasket (C) .....	1
162	1767874001	Upper Heat Shield (C).....	1
216	1768835	Trim (C).....	1
217	1745366	Cable Hanger (C).....	1
219	1752694	Trim (C).....	1
224	1768840	Trim (C).....	1
236	1186329	Flange Screw, 5/16-18 x 3/4 .....	8
309	1747738	J-Clamp .....	1
333	1723384	Flat Washer, 5/16 x 1-1/2.....	1
353	1772982001	Heat Shield (C).....	1
996	710-0376	Hex Head Screw, 5/16-18 x 1 (A)(B) .....	2
997	750-1032	Spacer (A)(B).....	1

(A)—Model 13123

(B)—Model 13104

(C)—Model 13105

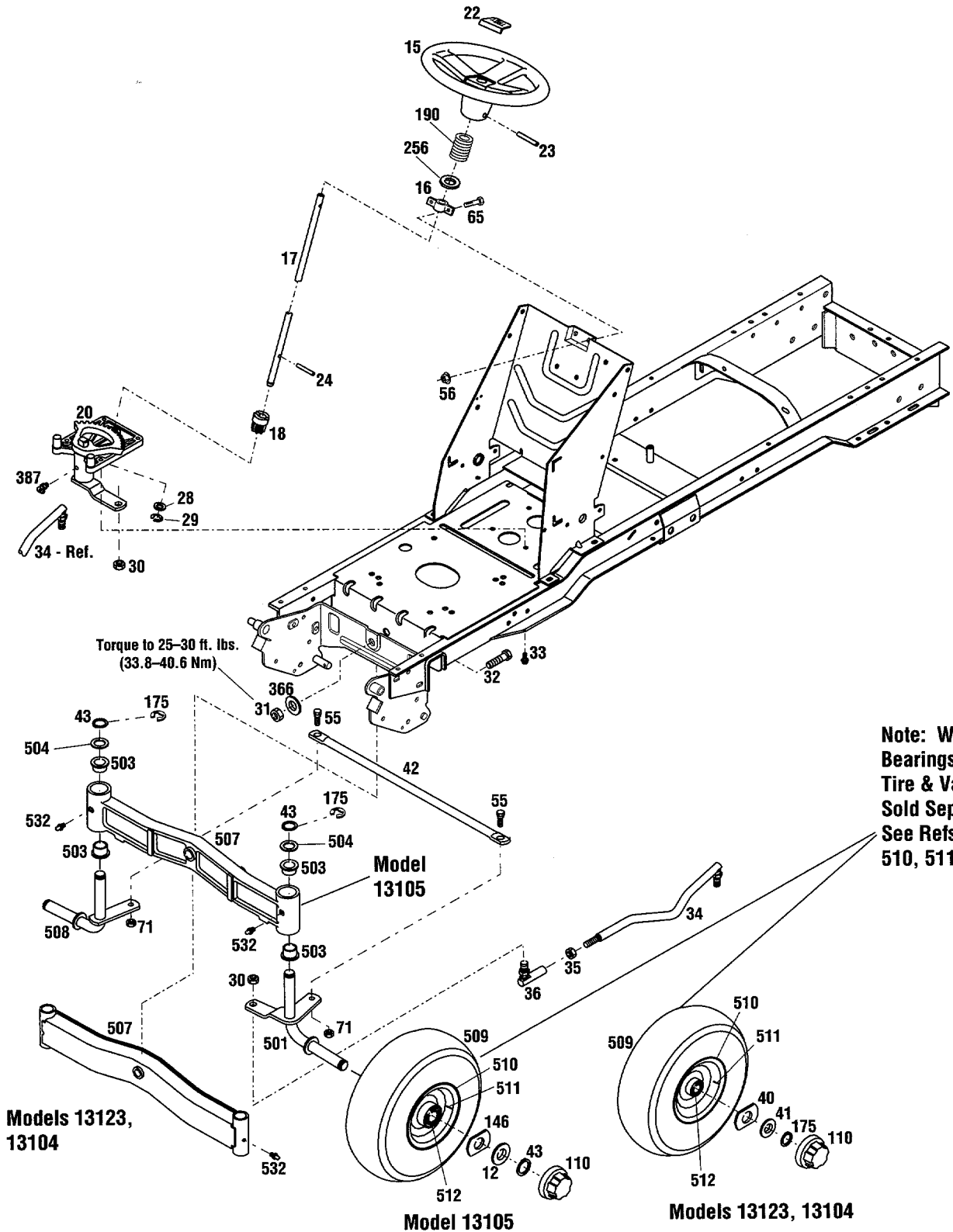
# TROY-BILT® TRACTOR

## STEERING ASSEMBLY

S/N 13123130101—13123139999

13104120101—13104129999

13105120101—13105129999



# MODELS 13123, 13104 & 13105

Ref.	Part	Description	Qty.
15	1766027	Premium Steering Wheel .....	1
16	1772929	Steering Support Bearing .....	1
17	1765010	Steering Shaft .....	1
18	1771039	Pinion Gear .....	1
20	1771320	Steering Gear Assembly .....	1
22	1766221	Steering Wheel Cap .....	1
23	1185284	Roll Pin, 1/4 x 2.....	1
24	1185348	Drive Pin, 1/4 x 1 1/4 .....	1
28	1705092	Special Washer, 5/8 x 1 .....	1
29	1177567	Retaining Ring, 5/8.....	1
30	1768796	Locking Jam Nut, 1/2-20 .....	2
31	1758231	Top Locknut, 5/8-11 .....	1
32	1767953	Hex Head Screw, 5/8-11 x 2 3/4 .....	1
33	1766984	Flange Lock Screw, 5/16-18 x 3/4 .....	4
34	1765315	Drag Link .....	1
35	1186247	Hex Jam Nut, 1/4-20 .....	1
36	1716180	Ball Joint .....	1
40	1766241	Special Washer, 3/4 x 2 1/2 (A)(B) .....	2
41	1185830	Special Washer, 3/4 x 1-3/8 (A)(B) .....	2
42	1768883001	Tie Rod.....	1
43	1185689	Retaining Ring (C).....	4
55	1894062	Shoulder Bolt, 3/4-24.....	2
56	1186389	Flange Nut, 1/4-20.....	2
65	1186309	Flange Screw, 1/4-20 x 5/8 .....	2
71	1110150	Self Lock Nut, 3/4-24 .....	2

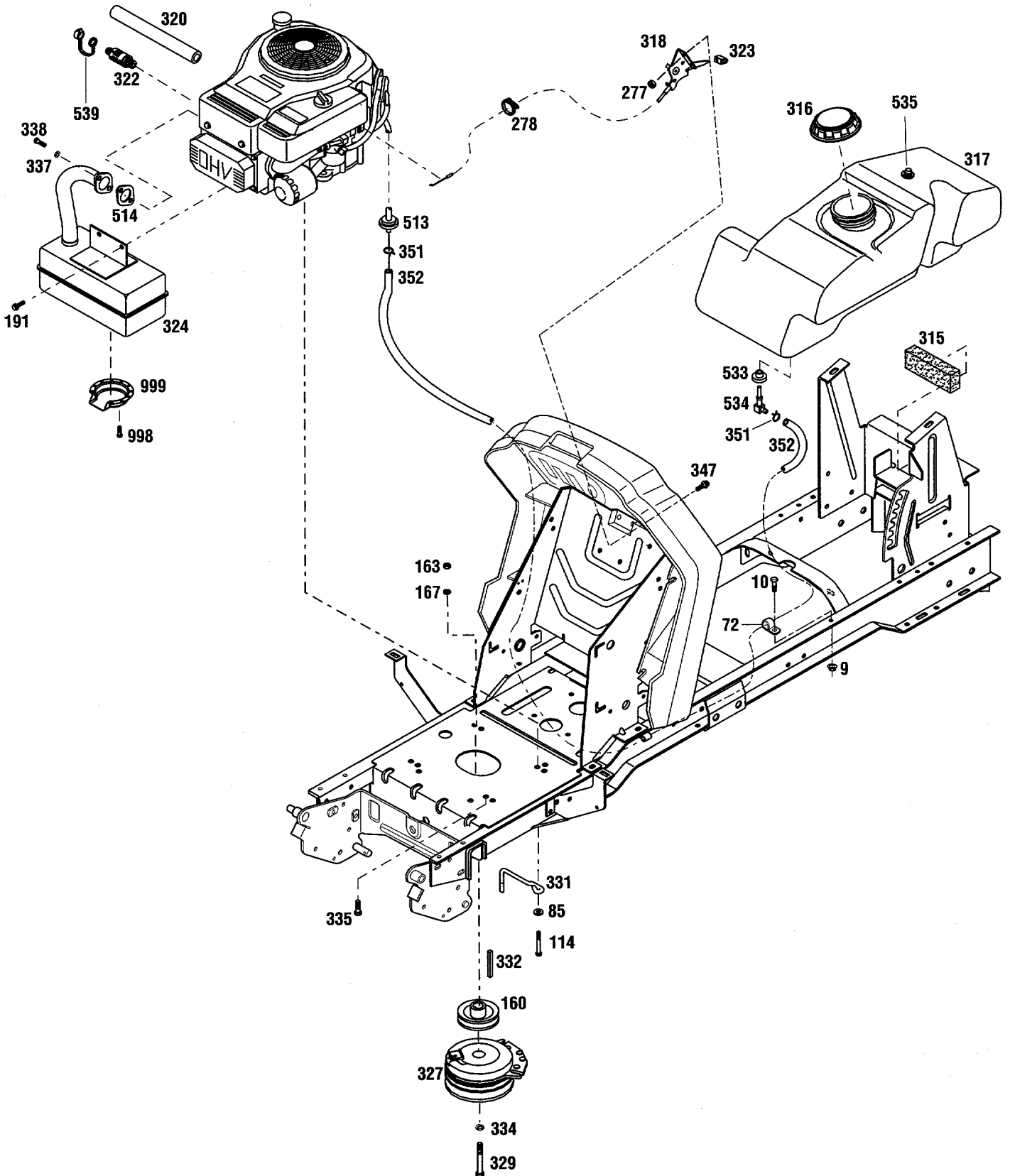
Ref.	Part	Description	Qty.
110	1766215	Hub Cap.....	2
146	1766242	Special Washer, 1 x 2-1/2 (C).....	2
175	1185388	Retaining Ring (A)(B).....	4
190	1748415	Compression Spring .....	1
256	1705093	Flat Washer, 5/8 x 1".....	1
366	1100266	Flat Washer, 5/8.....	1
387	1731504	90° Grease Fitting .....	1
501	1765263001	Left-Hand Spindle (A)(B) .....	1
	1765316001	Left-Hand Spindle (C).....	1
503	1764140	Axle Bushing, (A)(B) .....	4
	1752556	Axle Bushing (C).....	4
504	1701447	Special Washer, 3/4 (A)(B) .....	2
	1703073	Special Washer, 1" (C).....	4
507	1765169001	Front Axle (A)(B).....	1
	1772154001	Front Axle (C) .....	1
508	1765004001	Right-Hand Spindle (A)(B) .....	1
	1765317001	Right-Hand Spindle (C).....	1
509	1762254	Tire, 15 x 6.00 6RS (A)(B).....	2
	1768792	Tire, 16 X (C).....	2
510	1767276	15" Rim Assembly (A)(B).....	2
	1766073	16" Rim Assembly (C).....	2
511	1718086	Valve Stem.....	2
512	1185616	Wheel Bearings (A)(B) .....	4
	1756524	Wheel Bearings (C).....	4
532	1185976	Grease Fitting .....	4

(A)—Model 13123

(B)—Model 13104

(C)—Model 13105

## 14 & 15.5 HP ENGINE ASSEMBLY





# MODELS 13123 & 13104

Ref.	Part	Description	Qty.
9	1186391	Flange Nut, 5/16-18.....	1
10	1100044	Hex Head Screw, 5/16-18 x 3/4.....	1
72	1807450	Clip.....	1
85	1107383	Flat Washer, 3/8.....	1
114	1768194	Hex Head Screw, 3/8-16 x 1-1/2.....	2
160	1772330	Engine Sheave.....	1
163	1186231	Hex Nut, 3/8-16.....	1
167	1100243	Lockwasher 3/8.....	1
191	1754128	Flange Screw, 1/4-20 x 3/4 .....	2
277	1185985	Keps Locknut, 10-24.....	2
278	1735531	Cable Tie.....	1
315	1766341	Fuel Tank Pad.....	1
316	1766188	Fuel Cap.....	1
317	1772814	Fuel Tank (Incl. Refs. 533, 534 & 535).....	1
318	1772884	Throttle Choke Control .....	1
320	1769006	Oil Drain Hose.....	1
322	1768865	Oil Valve Assembly (Incl. Ref. 539).....	1
323	1766121	Control Knob.....	1
324	1772810A	Muffler (Single Inlet).....	1

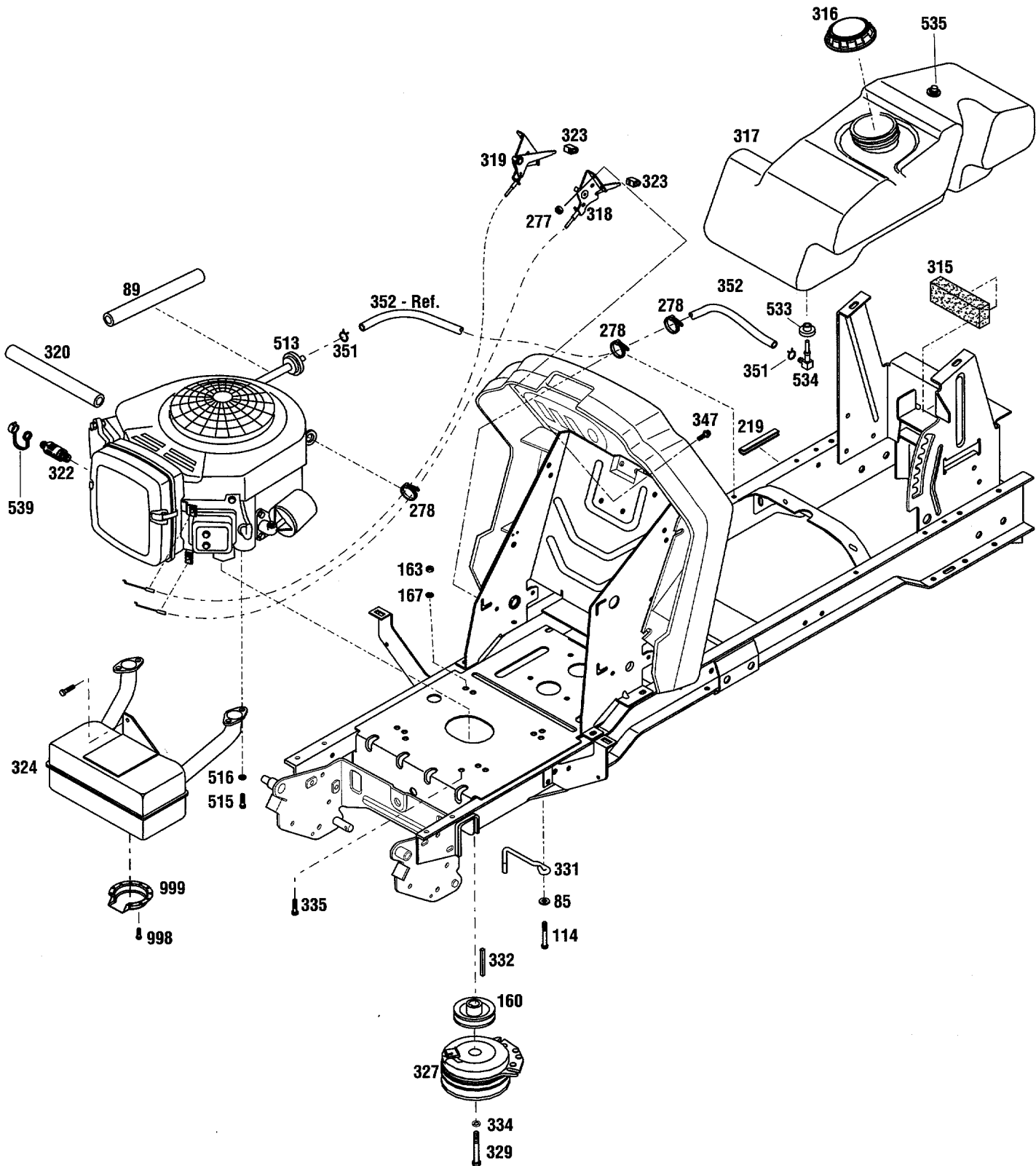
Ref.	Part	Description	Qty.
327	1772388	Electric Clutch.....	1
329	1744454	Hex Head Screw, 7/16-20 x 3-1/4.....	1
331	1772385	Clutch Retainer.....	1
332	1104337	Square Key, 1/4 x 1-1/2.....	1
334	1100244	Spring Lock Washer, 7/16.....	1
335	1762042	Hex Head Screw, 3/8-16 x 1.....	2
337	736-0119	Lock Washer, 5/16 .....	2
338	710-1314	Socket Cap Screw, 5/16-18 x 5/8.....	2
347	1773576	Machine Screw, 10-24 x 3/4 .....	4
351	1750687	Hose Clamp.....	2
352	1767879	Fuel Line.....	1
513	1727491	Fuel Filter.....	1
514	721-0208	Exhaust Gasket.....	1
533	1738433	Bushing.....	1
534	1751477	Fuel Tank Elbow .....	1
535	1768804	Fuel Tank Vent .....	1
539	1766326	Oil Drain Cap.....	1
998	710-0148	Self Tapping Screw, #8-32 x 3/8.....	4
999	751-0564	Muffler Deflector.....	1

A)—Model 13123

B)—Model 13104

Purchase engine parts from your Briggs & Stratton dealer.  
Refer to engine for type and code.

## 16 HP ENGINE ASSEMBLY

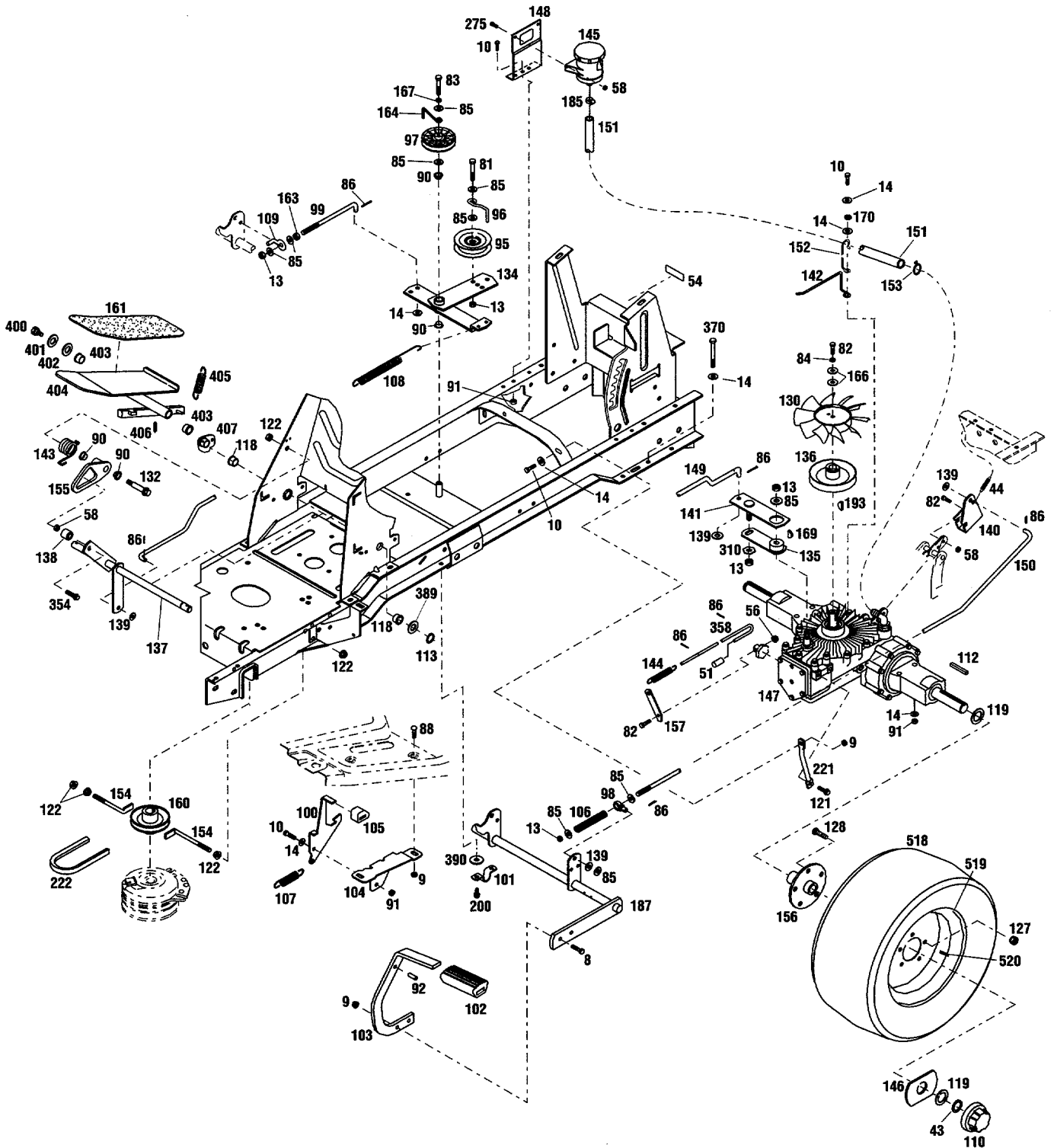


Ref.	Part	Description	Qty.	Ref.	Part	Description	Qty.
85	1107383	Flat Washer, 3/8.....	1	327	1772388	Electric Clutch.....	1
89	1768830	Fuel Line Insulation.....	1	329	1744454	Hex Head Screw, 7/16-20 x 3-1/4.....	1
114	1768194	Thread-Forming Screw, 3/8 x 1-1/2.....	2	331	1772385	Clutch Retainer.....	1
160	1766201	Engine Sheave.....	1	332	1104337	Square Key, 1/4 x 1-1/2.....	1
163	1186231	Hex Nut, 3/8-16.....	1	334	1100244	Spring Lock Washer, 7/16.....	1
167	1100243	Lockwasher, 3/8.....	1	335	1762042	Hex Head Screw, 3/8-16 x 1.....	2
219	1752694	Trim.....	1	347	1773576	Machine Screw, 10-24 x 3/4 .....	4
277	1185985	Keps Locknut, 10-24.....	4	351	1750687	Hose Clamp.....	2
278	1735531	Cable Tie.....	3	352	1767879	Fuel Line.....	1
315	1766341	Fuel Tank Pad.....	1	513	1727491	Fuel Filter .....	1
316	1766188	Fuel Cap.....	1	515	1100069	Hex Head Screw, 1/4-20 x 1.....	4
317	1772814	Fuel Tank (Incl. Refs. 533, 534 & 535)....	1	516	1100241	Lockwasher, 1/4.....	4
318	1773575	Throttle Control.....	1	533	1738433	Bushing.....	1
319	1773574	Choke Control.....	1	534	1751477	Fuel Tank Elbow.....	1
320	1769006	Oil Drain Hose.....	1	535	1768804	Fuel Tank Vent .....	1
322	1768865	Oil Valve Assembly (Incl. Ref. 539).....	1	539	1766326	Oil Drain Cap.....	1
323	1766121	Control Knob.....	2	998	710-0148	Self Tapping Screw, #8-32 x 3/8.....	4
324	1772816A	Muffler (Twin Inlet).....	1	999	751-0564	Muffler Deflector.....	1

\*Purchase engine parts from your Briggs & Stratton dealer.

Refer to engine for type and code.

## EATON 751 HYDRO TRANSMISSION ASSEMBLY



# MODEL 13105

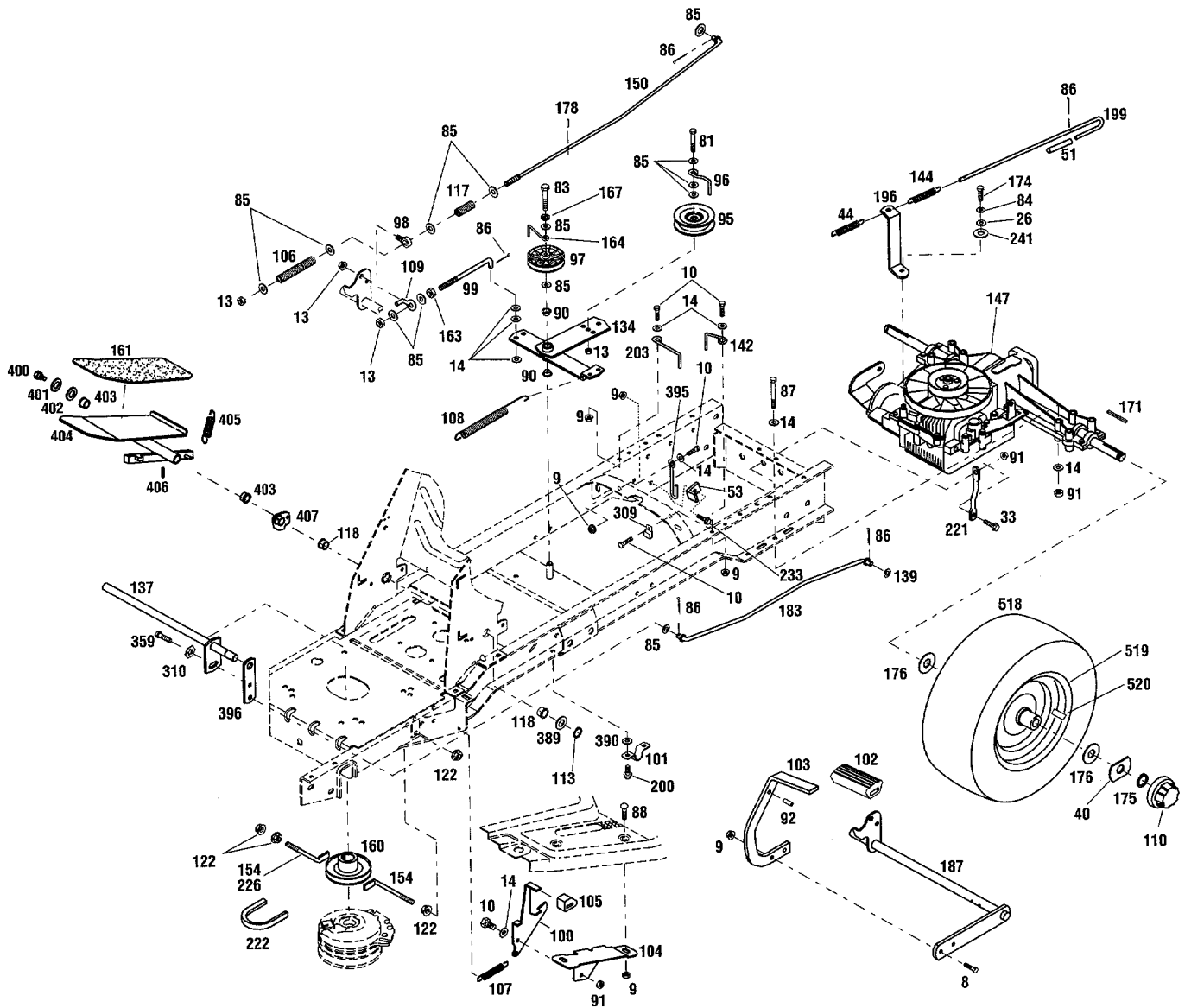
Ref.	Part	Description	Qty.	Ref.	Part	Description	Qty.
8	1100045	Hex Head Screw, 5/16-18 x 1 .....	2	139	1890945	Flat Washer, 3/8.....	5
9	1186391	Flange Nut, 5/16-18.....	3	140	1785253	Hydro Brake Bracket.....	1
10	1100044	Hex Head Screw, 5/16-18 x 3/4 .....	5	141	1785289	Hydro Control Arm .....	1
13	1733398	Hex Top Locknut, 3/8-16 .....	5	142	1788836	Belt Guide .....	1
14	1107382	Flat Washer, 5/16.....	15	143	1785306	Torsion Spring.....	1
43	1185689	Retaining Ring, 3/4.....	2	144	1720928	Extension Spring.....	1
44	1765307	Extension Spring.....	1	145	1772331	Expansion Tank .....	1
51	1767984	Handle Grip .....	1	146	1766242	Special Washer, 1 x 2 1/2.....	2
54	1767967	Decal, Transmission Release .....	1	147	1772032	Transmission, Eaton 751 (See breakdown, pg. 22) .....	1
56	1186389	Flange Nut, 1/4-20.....	1	148	1772378001	Expansion Tank Support.....	1
58	1734398	Top Lock Nut, 1/4-20.....	5	149	1785353	Hydro Control Rod .....	1
81	1100048	Hex Capscrew, 3/8-16 x 2 .....	1	150	1772921	Brake Rod.....	1
82	1100069	Hex Capscrew, 1/4-20 x 1 .....	4	151	1772386	Hose, 5/8 .....	1
83	1100086	Hex Capscrew, 3/8-16 x 1-3/4 .....	1	152	1772375	Hose Support.....	1
84	1100241	Lockwasher, 1/4 SAE.....	1	153	1785478	Hose Clamp, 5/8.....	1
85	1107383	Flat Washer, 3/8.....	11	154	1785482	Belt Guide .....	2
86	1100346	Cotter Pin, 3/32 x 3/4.....	6	155	1786015	Hydro Neutral Return .....	1
88	1186097	Carriage Bolt, 5/16-18 x 5/8.....	2	156	1786019	Wheel Hub.....	2
90	1715538	Nyliner Bushing.....	4	157	1787909	Dump Valve .....	1
91	1732499	Locknut, 5/16-18.....	7	158	1773231001	Hydro Pedal .....	1
92	1770205	Drive Pin, 5/16 x 3/4.....	1	160	1786201	Engine Sheave.....	1
95	1756151	Idler Pulley .....	1	161	1772844	Foot Pedal Pad .....	1
96	1780096	Belt Guide .....	1	163	1186231	Hex Nut, 3/8-16.....	1
97	1780097	Idler Pulley .....	1	164	1767900	Belt Guide .....	1
98	1751848	Swivel.....	1	166	1720883	Washer, 1/4 x 1-1/4 .....	2
99	1772460	Clutch Rod.....	1	167	1100243	Lockwasher, 3/8.....	1
100	1771514	Brake Lock Latch.....	1	169	1100905	Woodruff Key, 1/8 x 1/2.....	1
101	1785156	Clip, 3/4 .....	2	170	1100242	Lockwasher, 5/16.....	1
102	1785167	Foot Pedal Pad .....	1	185	1984024	Hose Clamp .....	1
103	1772741001	Brake Pedal .....	1	187	1772727	Brake Pedal Assembly .....	1
104	1785257	Brake Lock Bracket.....	1	193	1185885	Woodruff Key, 3/16 x 5/8.....	1
105	1785297	Parking Brake Pedal Pad .....	1	200	1724491	Flange Screw, 5/16-18 x 3/4 .....	4
106	1785305	Compression Spring .....	1	221	1785165	Transmission Support .....	1
107	1985140	Extension Spring.....	1	222	1785349	V-Belt.....	1
108	1785402	Extension Spring.....	1	275	1111599	Hex Head Screw, 1/4-20 x 5/8 .....	2
109	1785461	Pivot Rod .....	1	310	1185715	Lockwasher, 3/8.....	1
110	1786215	Hub Cap.....	2	354	1186313	Flange Screw, 1/4-20 x 1-1/4 .....	1
112	1104338	Square Key, 1/4 x 2 .....	2	358	1767907	Dump Valve Rod .....	1
113	1118808	Retaining Ring, 5/8.....	1	370	1111610	Capscrew, 5/16-18 x 3.....	4
115	1120210	Drive Pin, 3/16 x 1 .....	1	389	1730375	Flat Washer, 5/8.....	2
118	1185802	Flange Bearing, 5/8.....	2	390	1705108	Flat Washer, 3/8.....	4
119	1185816	Washer, 1-1/64 .....	6	400	738-0322	Shoulder Screw, 5/8 x 2.....	1
121	1186327	Lock Screw, 5/16-18 x 1/2 .....	1	401	738-0349	Flat Washer, 5/8.....	1
122	1186393	Flange Nut, 3/8-16.....	5	402	738-0349	Flat Washer, 5/8.....	1
123	1715301	Thrust Washer, 5/8 x 1/1/8.....	1	403	741-0495	Flange Bearing .....	2
127	1753025	Lug Nut, 7/16-20 .....	10	404	803-0641	Hydrostatic Foot Pedal .....	1
128	1770283	Wheel Stud .....	10	405	732-0395	Extension Spring .....	1
130	1780370	Fan.....	1	406	1120210	Roll Pin .....	1
132	1783219	Shoulder Screw.....	1	407	803-0637	Cam Assembly .....	1
134	1785064	Idler Arm Assembly .....	1	518	1788795	Tire, 23 x 10.5-12, Multi Trac CS .....	2
135	1785067	Hydro Arm .....	1	519	1786131	Rim .....	2
136	1785072	Eaton Hydro Sheave.....	1	520	1718086	Valve Stem.....	2
137	803-0640	Hydro Pivot Shaft .....	1				
138	1767807	Ball Bearing .....	1				

# TROY-BILT® TRACTOR

S/N 13123130101—13123139999

13104120101—13104129999

## PEERLESS VST 205 HYDRO TRANSMISSION ASSEMBLY



# MODELS 13123 & 13104

Ref.	Part	Description	Qty.
8	1100045	Hex Head Screw, 5/16-18 x 1 .....	2
9	1186391	Flange Nut, 5/16-18.....	9
10	1100044	Hex Head Screw, 5/16-18 x 3/4 .....	4
13	1733398	Locknut, 3/8-16.....	4
14	1107382	Flat Washer, 5/16.....	15
26	1100254*	Flat Washer, 1/4.....	1
33	1766884	Flange Lock Screw, 5/16-18 x 3/4 .....	1
40	1766241	Special Washer, 3/4 x 2-1/2 .....	2
44	1765307*	Extension Spring .....	1
51	1767984*	Grip .....	1
53	1772776	Stop Bracket .....	1
81	1100048	Hex Screw, 3/8-16 x 2.....	1
83	1100086	Hex Screw, 3/8-16 x 1-3/4.....	1
84	1100241*	Locknut, 1/4.....	1
85	1107383	Flat Washer, 3/8.....	14
86	1100346	Cotter Pin, 3/32 x 3/4.....	5
87	1111609	Hex Screw, 5/16-18 x 2-3/4.....	4
88	1186097	Carriage Bolt, 5/16-18 x 5/8.....	2
90	1715538	Nyliner Bushing.....	2
91	1732499	Locknut, 5/16-18.....	5
92	1770205	Drive Pin, 5/16 x 3/4.....	1
95	1756151	Idler Pulley .....	1
96	1760096	Belt Guide .....	1
97	1760097	Idler Pulley .....	1
98	1769038	Swivel.....	1
99	1772460	Clutch Rod.....	1
100	1771514	Brake Lock Latch.....	1
101	1765156	Clip, 3/4 .....	2
102	1765167	Foot Pedal Pad .....	1
103	1772741	Brake Pedal .....	1
104	1765257	Brake Lock Bracket.....	1
105	1765297	Brake Pad.....	1
106	1765305	Compression Spring .....	1
107	1985140	Extension Spring.....	1
108	1765402	Extension Spring.....	1
109	1765461	Pivot Rod .....	1
110	1766215	Hub Cap.....	2
113	1118808	Retaining Ring .....	1
115	1120210	Drive Pin, 3/16 x 1.....	1
117	1755319	Compression Spring .....	1
118	1185802	Flange Bearing, 5/8.....	2
122	1186393	Flange Nut, 3/8-16.....	4
123	1715301	Thrust Washer, 5/8 x 1 1/8 .....	1
134	1765064	Idler Arm .....	1
137	603-0644	Hydro Pivot Shaft .....	1
139	1890945	Flat Washer, 3/8.....	1

Ref.	Part	Description	Qty.
142	1772191	Belt Guide .....	1
144	1720928*	Extension Spring.....	1
147	1772033	Transmission, Peerless Model VST 205 (See page 24 for breakdown).....	1
150	1772208	Brake Rod.....	1
154	1766025	Clutch Retainer.....	1
158	1773231001	Hydro Pedal .....	1
160	1772330	Engine Pulley.....	1
161	1772844	Foot Pedal Pad .....	1
163	1186231	Hex Nut, 3/8-16.....	1
164	1767900	Belt Guide .....	1
167	1100243	Lockwasher, 3/8.....	1
171	1983110	Key .....	2
174	1111683*	Hex Head Screw, 1/4-28 x 1 .....	1
175	1185388	Retaining E-Ring, 5/8 .....	2
176	1747998	Flat Washer, 3/4 x 1-7/8.....	4
178	1724885	Roll Pin.....	1
183	1772222	Hydro Control Rod .....	1
187	1772728	Brake Pedal .....	1
200	1724491	Flange Lock Screw, 5/16-18 X 3/4 .....	4
196	1773676*	Dump Valve Arm.....	1
199	1773659*	Dump Valve Rod .....	1
203	1773156	Belt Guide .....	1
221	1772207	Transmission Support .....	1
222	1772253	V-Belt.....	1
226	1773624	Belt Guide .....	1
233	1186328	Flange Screw, 5/16-18 x 5/8 .....	1
241	1738490*	Special Flat Washer .....	1
309	1747738	J Clamp.....	1
310	1185715	Special Lockwasher.....	1
359	1100913	Hex Head Screw, 3/8-16 x 7/8 .....	1
389	1730375	Flat Washer, 5/8.....	2
390	1705108	Flat Washer, 3/8.....	4
395	1772206	Brake Rod Guide .....	1
396	1772223	Control Arm.....	1
400	738-0322	Shoulder Screw, 5/8 x 2.....	1
401	736-0349	Flat Washer, 5/8.....	1
402	736-0349	Flat Washer, 5/8.....	1
403	741-0495	Flange Bearing .....	2
404	603-0641	Hydrostatic Foot Pedal.....	1
405	732-0395	Extension Spring.....	1
406	1120210	Roll Pin .....	1
407	603-0637	Cam Assembly .....	1
518	1766275	Tire, 20 x 8.00-10.....	2
519	1765607	Rim .....	2
520	1718086	Valve Stem.....	2

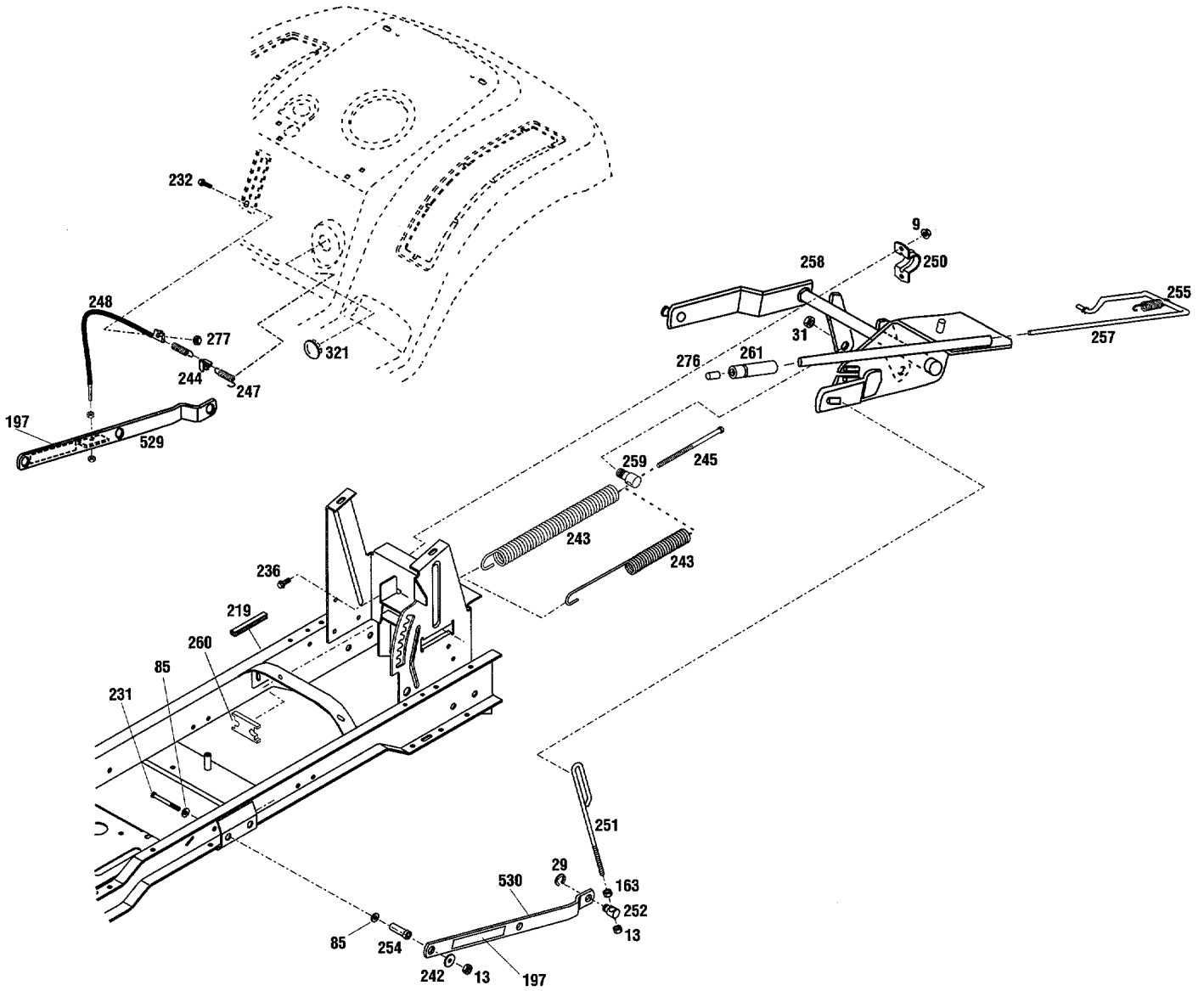
(\*) Later Models

# TROY-BILT® TRACTOR

S/N 13123130101—13123139999

13104120101—13104129999

## LIFT ASSEMBLY





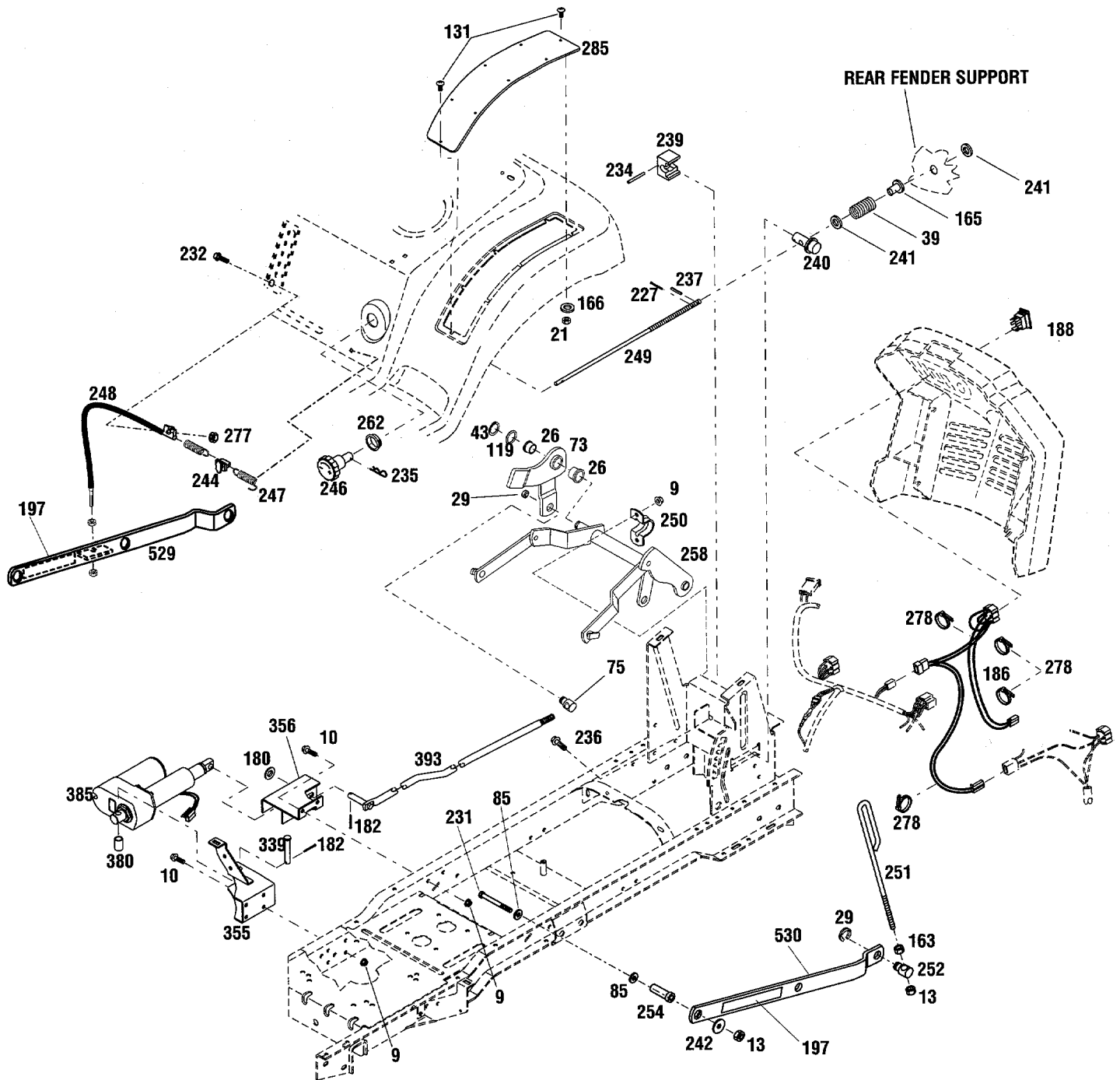
# MODELS 13123 & 13104

Ref.	Part	Description	Qty.	Ref.	Part	Description	Qty.
9	1186391	Flange Nut, 5/16-18.....	4	250	1772806	Lift Clamp.....	2
13	1733398	Hex Top Locknut, 3/8-16 .....	4	251	1772868	Lift Rod .....	2
29	1177567	Retaining Ring, 5/8.....	2	252	1772438	Rear Lift Swivel.....	2
31	1758231	Hex Top Locknut, 5/8-11 .....	1	254	1788080	Spacer.....	2
85	1107383	Flat Washer, 3/8.....	4	255	1772873	Extension Spring.....	1
163	1188231	Hex Nut, 3/8-16.....	2	257	1772870	Rod .....	1
197	1773104	Warning Decal .....	2	258	1772851001	Lift Assembly .....	1
219	1752684	Trim.....	1	259	1772871	Pivot Block.....	1
231	1111614	Hex Head Screw, 3/8-16 x 3 .....	2	260	1772872	Spring Anchor .....	1
232	1773610	Screw, 10-24 x 5/16 .....	1	261	1786340	Lift Grip .....	1
236	1186329	Flange Screw, 5/16-18 x 3/4 .....	4	276	1772885	Lift Button.....	1
242	1763355	Flat Washer, 3/8 x 1-1/2.....	2	277	1185958	Keps Nut, 10-24 .....	1
243	1773138	Lift Assist Spring (A).....	1	321	1772185	Dome Cap.....	1
	1772867	Lift Assist Spring (B).....	1	529	1772961	Right Lift Link Assembly (Incl. Ref. 197).....	1
244	1773201	Height Indicator .....	1	530	1772962	Left Lift Link Assembly (Incl. Ref. 197).....	1
245	1773139	Lift Assist Screw .....	1				
247	1773206	Extension Spring.....	1				
248	1773183	Cable Assembly.....	1				

(A)—Model 13123

(B)—Model 13104

## ELECTRIC LIFT ASSEMBLY



# MODEL 13105

Ref.	Part	Description	Qty.	Ref.	Part	Description	Qty.
9	1186391	Flange Nut, 5/16-18.....	10	237	1187961	Drive Pin.....	1
10	1100044	Hex Head Screw, 5/16-18 x 3/4.....	6	239	1766259	Height Adjust Collar.....	1
13	1733398	Hex Top Locknut 3/8-16.....	4	240	1766257	Height Adjust Block.....	1
21	1817146	Nylon Locknut, 1/4-20.....	6	241	1738490	Flat Washer, 1/2 x 1.....	2
26	1752556	Flange Bushing.....	2	242	1763355	Flat Washer, 3/8 x 1-1/2.....	2
29	1177567	E-Ring, 5/8.....	3	244	1773201	Height Indicator.....	1
39	1721492	Compression Spring.....	1	246	1765485	Height Adjust Knob.....	1
43	1185689	Retaining Ring.....	1	247	1773206	Extension Spring.....	1
73	1773025	Pivot Arm Assembly.....	1	248	1773183	Cable Assembly.....	1
75	1770696	Pivot Block.....	1	249	1773133	Height Adjust Screw.....	1
85	1107383	Flat Washer, 3/8.....	4	250	1772306	Lift Clamp.....	2
119	1185816	Flat Washer 1-1/64.....	1	251	1772866	Lift Rod.....	2
131	1772882	Screw, 1/4-20 x 5/8.....	6	252	1772438	Rear Lift Swivel.....	2
163	1186231	Hex Nut, 3/8-16.....	2	254	1766080	Spacer.....	2
165	1715716	Nyliner Bushing.....	1	258	1772970001	Lift Assembly.....	1
166	1720883	Flat Washer, 1/4.....	1	262	1766346	Snap Bushing Grommet.....	1
180	1107385	Flat Washer, 1/2.....	1	277	1185958	Keps Nut, 10-24.....	1
182	1100350	Cotter Pin, 1/4 x 1.....	2	278	1735531	Cable Tie.....	2
186	1771681	Actuator Harness.....	1	285	1773064	Cover.....	1
188	1771668	Rocker Switch.....	1	339	1706621	Clevis Pin, 1/2.....	1
197	1773104	Warning Decal.....	2	355	1770688001	Front Support.....	1
227	1100349	Cotter Pin, 1/8 x 3/4.....	1	356	1771799001	Rear Support.....	1
231	1111614	Hex Head Screw, 3/8-16 x 3.....	2	380	1770694	Spacer.....	1
232	1773610	Screw, 10-24 x 5/16.....	1	385	1771678	Actuator.....	1
234	1185376	Drive Pin.....	1	393	1772978	Lift Rod.....	1
235	1817091	Hitch Pin.....	1	529	1773524	Lift Link Assembly RH (Incl. 197).....	1
236	1186329	Flange Screw 5/16-18 x 3/4.....	4	530	1772962	Lift Link Assembly LH (Incl. 197).....	1

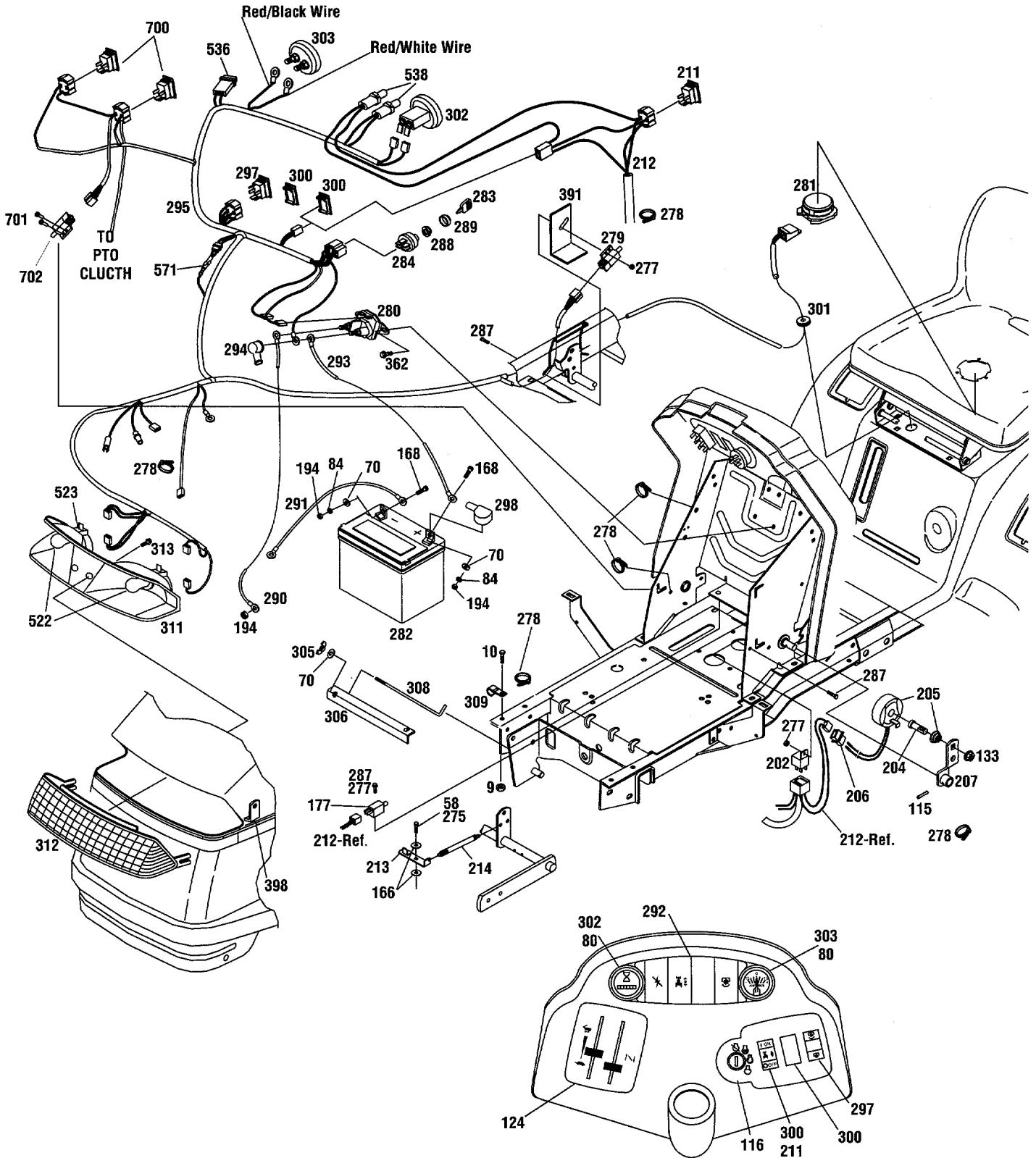
# TROY-BILT® TRACTOR

## ELECTRICAL ASSEMBLY

S/N 13123130101—13123139999

13104120101—13104129999

13105120101—13105129999



# MODELS 13123, 13104 & 13105

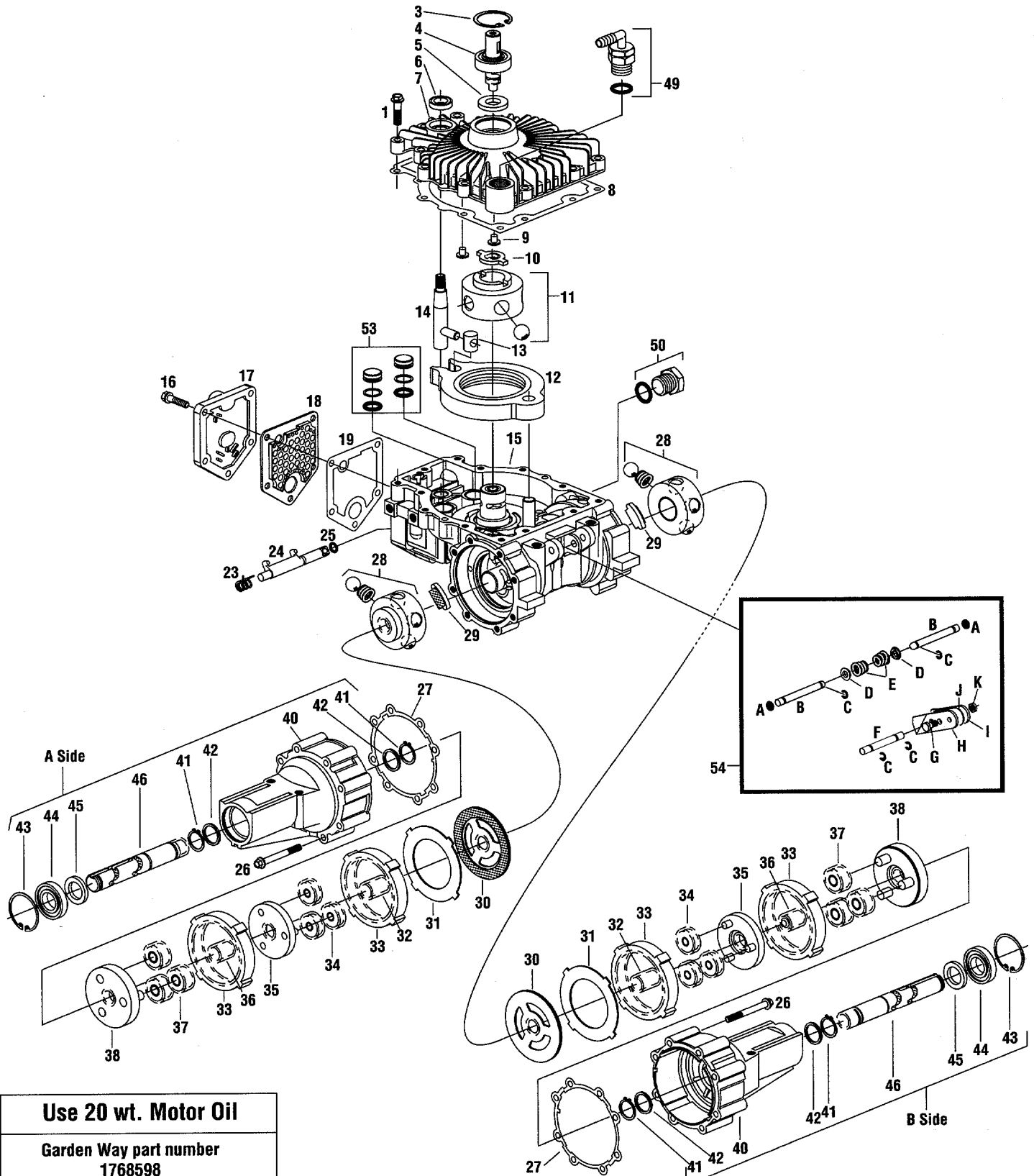
Ref.	Part	Description	Qty.	Ref.	Part	Description	Qty.
9	1186391	Flange Nut, 5/16-18 (A)(B) .....	1	288	1758146	Ignition Switch Mounting Nut .....	1
10	1100044	Hex Head Screw, 5/16-18 x 3/4 (A)(B) ....	1	289	1758147	Cap .....	1
58	1734398	Top Locknut, 1/4-20 (C).....	1	290	1764898	Starter Cable.....	1
70	1107381	Flat Washer, 1/4.....	3	291	1764886	Negative Battery Cable .....	1
80	1772950	Cap (A)(B) .....	2	293	1764888	Battery Cable.....	1
84	1100241	Lockwasher, 1/4 SAE.....	2	294	1764890	Solenoid Boot .....	1
115	1120210	Drive Pin, 3/16 x 1 (C) .....	1	295	629-3051	Main Harness (A)(B) .....	1
116	1772916	Ignition Decal .....	1		629-3052	Main Harness (C).....	1
124	1772915	Control Decal (A) .....	1	297	1771865	PTO Switch .....	1
	1772914	Control Decal (B)(C).....	1	298	1764899	Terminal Boot .....	1
133	1186396	Flange Nut, 7/16-20 (C) .....	1	300	1766184	Switch Cover (A)(B).....	1
166	1720883	Washer, 1/4 x 1-1/4 (C).....	2	301	1772922	Grommet.....	1
168	1100805	Hex Head Screw, 1/4-20 x 3/4 .....	2	302	1757364	Hour Meter (C) .....	1
177	1748723	Push-Button Switch (C).....	1	303	1725031	Ammeter (C) .....	1
194	1186229	Hex Nut, 1/4-20.....	3	305	1709652	Wing Locknut, 1/4-20 .....	1
202	1749907	Relay (C).....	1	306	1765258001	Battery Clamp.....	1
204	1750736	Special Screw (C).....	1	308	1766163	Hook Bolt .....	1
205	1768971	Magnet (C).....	1	309	1747738	J-Clamp .....	1
206	1767852	Housing Pin Terminal (C).....	1	311	1772002	Headlight Reflector .....	1
207	1773617	Cruise Arm (C).....	1	312	1785400	Lens.....	1
211	1766350	Cruise Switch (C) .....	1	313	1185712	Self-Threading Screw .....	2
212	1766351	Cruise Harness (C).....	1	362	1724492	Self-Tapping Screw, 1/4-20 x 1/2 .....	2
213	1767803	Cruise Arm (C).....	1	391	1772387	Switch Bracket.....	1
214	1767822	Spring (C) .....	1	398	1772906	Clip .....	2
275	1111599	Hex Head Screw, 1/4-20 x 5/8 .....	1	522	1772001	Headlight Bulb .....	2
277	1185985	Keps Nut, #10-24.....	5	523	1752875	Socket .....	2
278	1735531	Cable Tie .....	5	536	1768969	Fuse.....	1
279	1751328	Push-Button Switch .....	1	538	1764897	Panel Light Bulb .....	2
280	1752137	Solenoid.....	1	571	1755616	Diode .....	1
281	1768882	Seat Switch .....	1	700	725-1648	Relay .....	2
282	725-1737	Battery .....	1	701	710-1003	Tap Screw, #10-16 x 5/8 .....	1
283	1753986	Key .....	1	702	725-1657A	Safety Switch .....	1
284	1754250	Ignition Switch.....	1	703	721-0342	Relay Gasket (Not Shown) .....	1
287	1758070	Sems Screw, #10-24 x 5/8.....	5				

(A)—Model 13123

(B)—Model 13104

(C)—Model 13105

## EATON 751 HYDRO TRANSMISSION ASSEMBLY



Ref.	Part	Description	Qty.	Ref.	Part	Description	Qty.
1	1769200	Self Tapping Screw, 1/4-20.....	13	33	1769225	Gear, Ring 57T .....	4
3	1769201	Ring, Retaining, Internal.....	1	34	1769226	21T Planet Gear (S/A) First .....	6
4	1760892	Shaft, Input (S/A).....	1	35	1769227	15T Primary Carrier (S/A).....	2
5	1760893	Seal Input Shaft.....	1	36		15T Sun Gear, Second (Steel).....	2
6	1757374	Seal, Control Shaft.....	1	37		21T Plnt. Gear (S/A) Second (Steel).....	6
7	1769202	Cover.....	1	38	1769230	Secondary Carrier (S/A).....	2
8	1769203	Gasket, Cover.....	1	40	1769231	Axle Housing (S/A) A-Side & B-Side .....	1
9	1769204	Button.....	2	41	1769232	Ring, Retaining, External.....	4
10	1769205	Drive.....	1	42	1769233	Thrust Washer.....	4
11		Pump Rotor/Ball/Pin (S/A).....	1	43	1769234	Ring, Retaining, Internal.....	2
12		Cam Ring.....	1	44	1757700	Bearing, Ball.....	2
13	1769208	Insert.....	1	45	1769235	Seal, Radial Lip.....	2
14	1769209	Control Shaft, External Thread.....	1	46	1769236	Shaft, Axle—A-Side.....	1
15	1769211	Housing (S/A).....	1	49		90° Fitting/O-ring (S/A).....	1
16	1769212	Screw, 1/4-20 Hex Flange.....	A/R	50		Plug/O-ring (S/A).....	1
17		Filter Base "L".....	1	53	1769242	Piston, (S/A)	
18		Filter.....	1	54		Brake Lever Parts	
19		Gasket.....	1	A	1769243	Quad Seal.....	2
23	1769217	Spring, Dump Valve.....	1	B	1769244	Rod, Push.....	2
24	1757376	Bracket, Dump Valve.....	1	C	1769245	E-Ring.....	4
25	1757377	Seal, O-ring.....	1	D	1769246	Spring Base (S/A).....	2
26	1769218	Screw, 5/16 Hex Flange.....	16	E	1769247	Spring Conical.....	2
27	1769219	Gasket, Axle Housing.....	2	F	1769248	Shaft, Brake.....	1
28	1769220	15T Motor Rotor/Ball (S/A).....	2	G	1769249	Screw, Cap, Hex.....	1
29	1769221	Pad, Friction (S/A).....	2	H	1769250	Lever, Brake, R.H.....	1
30	1769222	Reaction, Plate.....	2	I	1769251	Lever, Brake, L.H.....	1
31	1769223	Plate, Backup.....	2	J	1769252	Shim.....	A/R
32	1769224	15T Sun Gear, First.....	2	K	1769253	Nut, Hex, Lock.....	1

A/R — As Required.

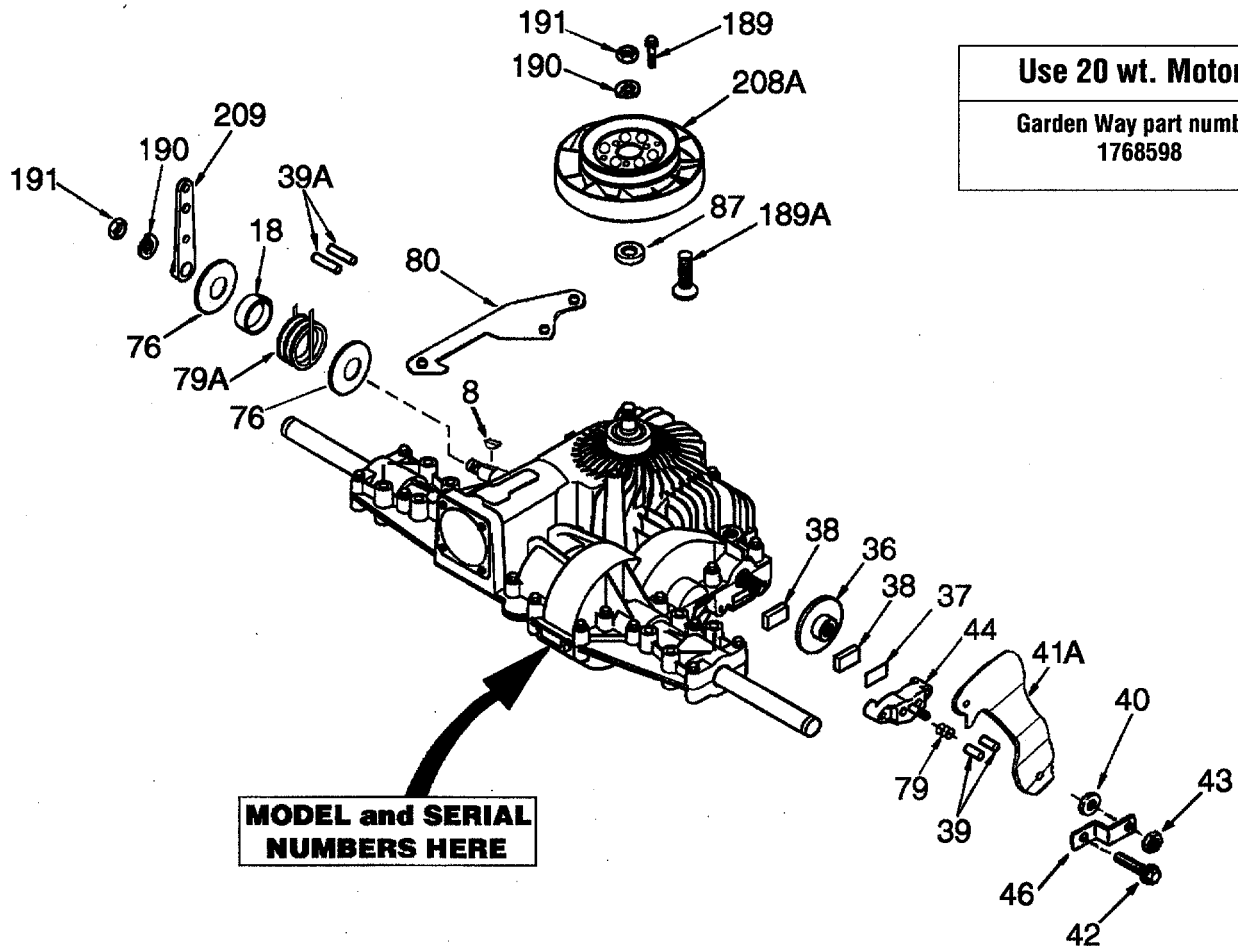
# MODELS 13123 & 13104

## PEERLESS VST 205 HYDRO TRANSMISSION BREAKDOWN

S/N 13123130101—13123139999

13104120101—13104129999

Purchase transmission parts from your Tecumseh/Peerless dealer.  
Refer to illustration for model/serial number location.

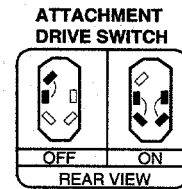
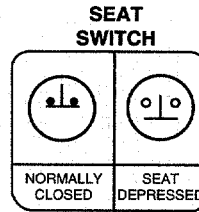
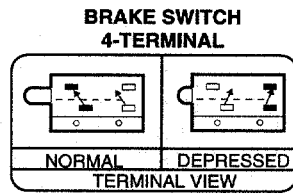


Ref.	Part	Description	Qty.
8	792175	Woodruff Key.....	1
18	786173	Spacer.....	1
36	790075	Brake Disk.....	1
37	790007	Brake Pad Plate.....	1
38	799021	Brake Pad (pkg of 2).....	2
39	786026	Dowel Pin.....	2
39A	786174	Dowel Pin.....	2
40	792076A	Flat Washer.....	1
41A	790081	Brake Lever.....	1
42	792073	Screw 1/4-20 x 1-1/4.....	2
43	792075	Locknut 5/16-24.....	1
44	790025	Brake Pad Holder.....	1
46	786086	Brake Lever Bracket.....	1

Ref.	Part	Description	Qty.
76	792174	Flat Washer.....	2
79	792144	Spring.....	1
79A	798027	Neutral Return Spring.....	1
80	798030	Control Lever Stop .....	1
87	788035	Oil Seal 5/8 .....	1
189	792168	Drive Screw #6 x 1/2.....	3
189A	792171	Screw 10-24 x 1/2 .....	3
190	792150	Lock washer.....	2
191	792151	Nut 7/16-20.....	2
208A	798031	Fan/Coupling Assy 2WS (Incl. Ref. 189 & 189A) .....	1
209	798024	Control Lever .....	1

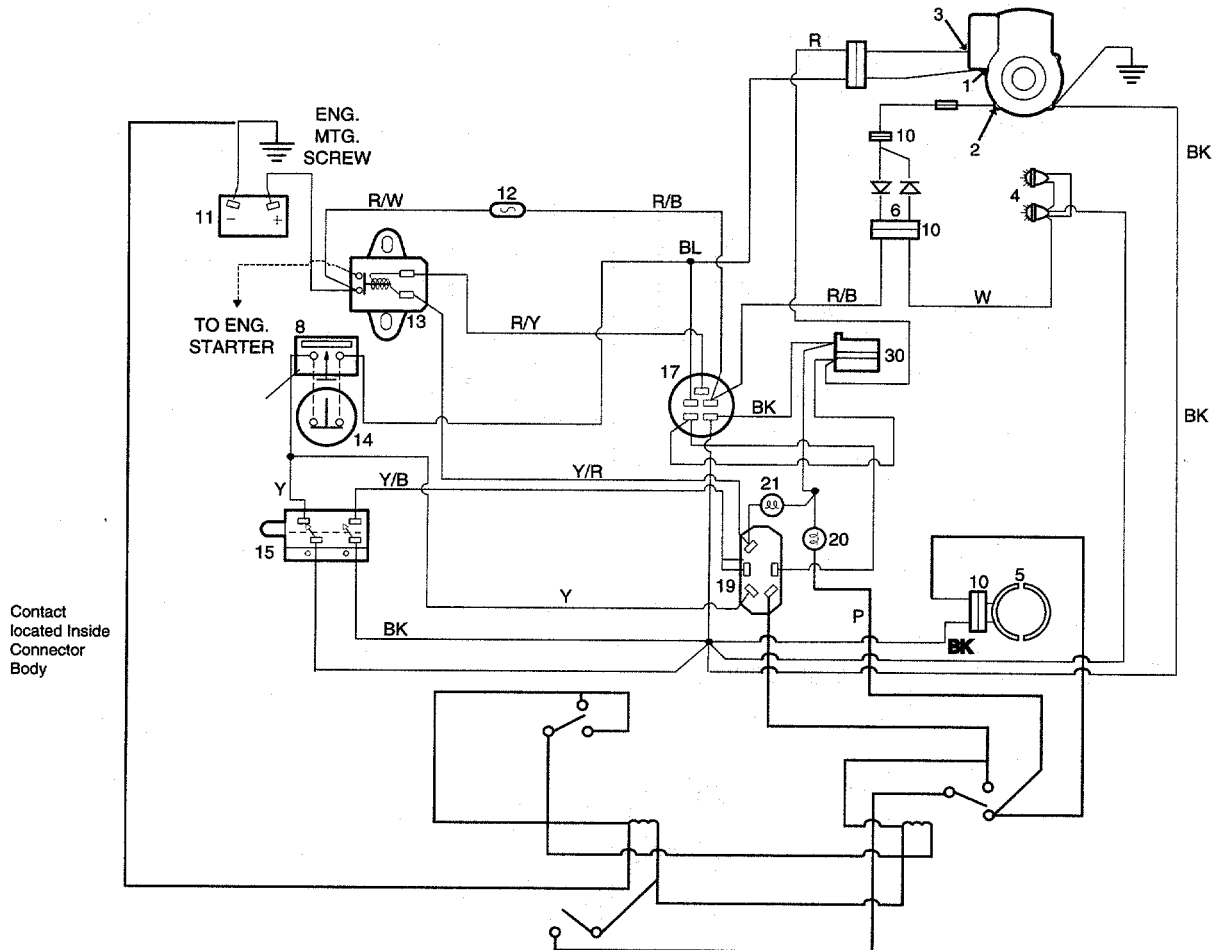
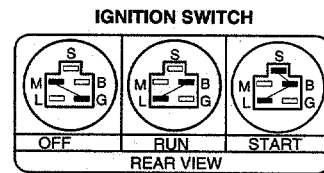


**WIRING DIAGRAM**

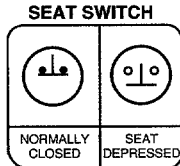
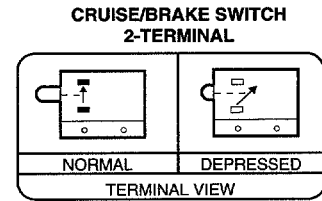
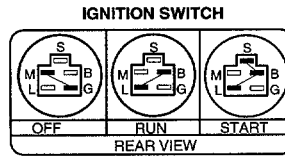
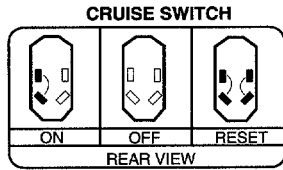


ITEM CODE	
1	Magneto
2	Alternator
3	Fuel Solenoid
4	Headlights
5	Attachment Clutch
6	Diode Assembly
7	Starter
8	Seat Plug with Switch
10	Connector
11	Battery
12	Fuse
13	Start Solenoid
15	Brake Switch
17	Key Switch
19	Attachment Switch
20	Attachment Light
21	Start Light
30	Accessory Plug

WIRE COLOR CODE	
BK	Black
BL	Blue
P	Purple
R	Red
W	White
Y	Yellow
R/W	Red/White
R/B	Red/Black
R/Y	Red/Yellow
Y/R	Yellow/Red
W/B	White/Black
Y/B	Yellow/Black

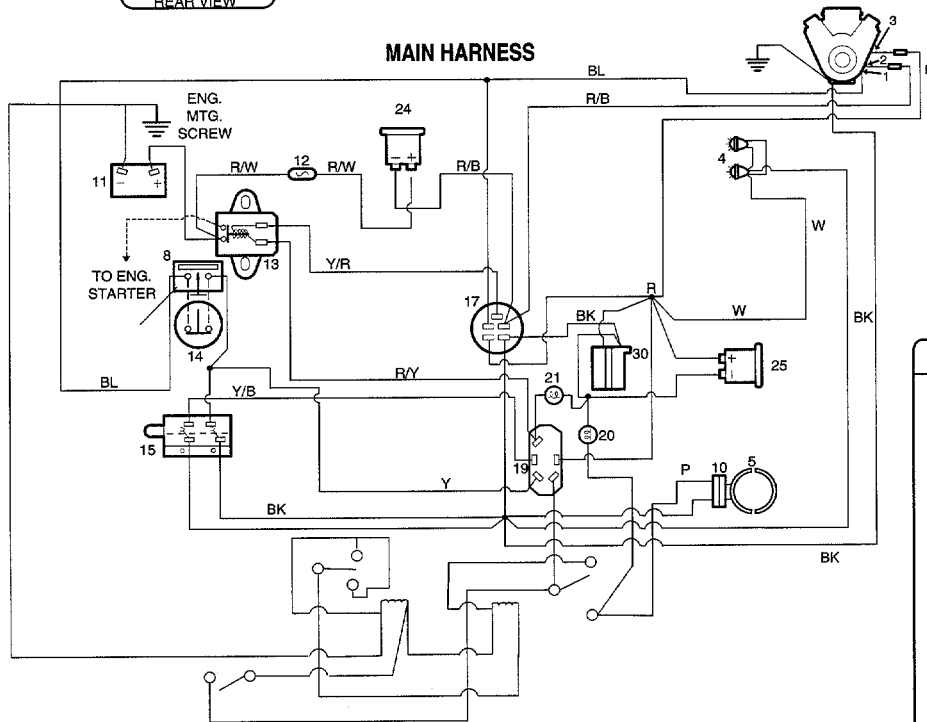
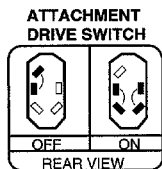
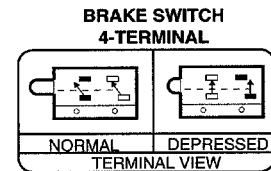


## WIRING DIAGRAM



**WIRE COLOR CODE**

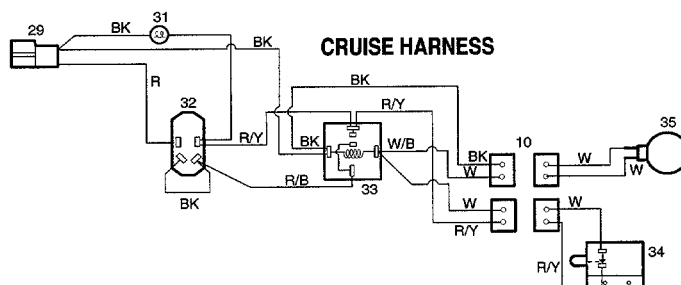
BK	Black
BL	Blue
P	Purple
R	Red
W	White
Y	Yellow
R/W	Red/White
R/B	Red/Black
R/Y	Red/Yellow
Y/R	Yellow/Red
W/B	White/Black
Y/B	Yellow/Black



Contact located Inside Connector Body

**ITEM CODE**

1	Magneto
2	Alternator
3	Fuel Solenoid
4	Headlights
5	Attachment Clutch
8	Seat Plug with Switch
10	Connector
11	Battery
12	Fuse
13	Start Solenoid
15	Brake Switch
17	Key Switch
19	Attachment Switch
20	Attachment Light
21	Start Light
24	Ammeter
25	Hourmeter
29	Cruise Socket
30	Cruise Plug
31	Cruise Light
32	Cruise Switch
33	Cruise Relay
34	Cruise/Brake Switch
35	Cruise Magnet



---

# NOTES

# Parts Ordering Information

---

If you need service or parts for the unit:

For service assistance or parts, contact your local authorized dealer or the factory (see below).

When ordering parts, provide your local dealer or our service department with the model/serial number of the unit, part description and the quantity needed to provide the most efficient service. See below for information on how to identify and record the identification numbers for the unit.

If you need engine service or parts:

For engine service or parts, contact your local authorized engine dealer. Look in the telephone directory under "Engines— Gasoline" for the name of your nearest authorized engine dealer. An authorized engine dealer can handle all parts, repairs, and warranty service concerning the engine.

**Note:**

All genuine replacement parts must conform to our rigid quality specifications. Although some replacement parts may vary slightly in shape, color or texture from the original parts, any variations will not affect the fit or performance of these parts on the unit.

**⚠ WARNING**

**WE URGE USING ONLY GENUINE REPLACEMENT PARTS, WHICH MEET ALL THE LATEST REQUIREMENTS. REPLACEMENT PARTS MANUFACTURED BY OTHERS COULD PRESENT SAFETY HAZARDS, EVEN THOUGH THEY MAY FIT ON THE UNIT.**

---

**IMPORTANT:**

Left and right sides of the unit are determined by sitting in the operator's position, facing the direction of forward travel.

**NOTICE:**

We reserve the right to change specifications, add improvements or discontinue the manufacture of any equipment without notice or obligation to purchasers of that equipment.

---

## Identification Numbers

Record the model/serial number.

When ordering parts, provide your local dealer or our service department with the information on the model/serial number decal. For your convenience and ready reference, record this information in the spaces provided below.

Model/serial number: \_\_\_\_\_

Date of Delivery: \_\_\_\_\_

Record the engine identification numbers.

To obtain engine parts, provide your local authorized engine dealer with the engine identification numbers. Refer to the engine owner's manual for the location of these numbers. Record these numbers in the spaces below.

Engine Manufacturer: \_\_\_\_\_

Engine Horsepower Rating: \_\_\_\_\_

Engine Identification Numbers: \_\_\_\_\_

---

*For customer assistance, contact your nearest authorized dealer or:*

**GARDEN WAY INCORPORATED • 1 Garden Way • Troy, New York U.S.A. 12180**

**Customer Service: 1-800-437-8686 • Technical Service: 1-800-520-5520 • Parts Service: 1-800-848-6776 • FAX: (518) 391-7332**

**Outside the U.S.A. and Canada:**

**Customer Service: (518) 391-7007 • For Technical Service: (518) 391-7008 • Parts Service: (518) 391-7006 or FAX: (518) 391-7332**

## Free Manuals Download Website

<http://myh66.com>

<http://usermanuals.us>

<http://www.somanuals.com>

<http://www.4manuals.cc>

<http://www.manual-lib.com>

<http://www.404manual.com>

<http://www.luxmanual.com>

<http://aubethermostatmanual.com>

Golf course search by state

<http://golfingnear.com>

Email search by domain

<http://emailbydomain.com>

Auto manuals search

<http://auto.somanuals.com>

TV manuals search

<http://tv.somanuals.com>