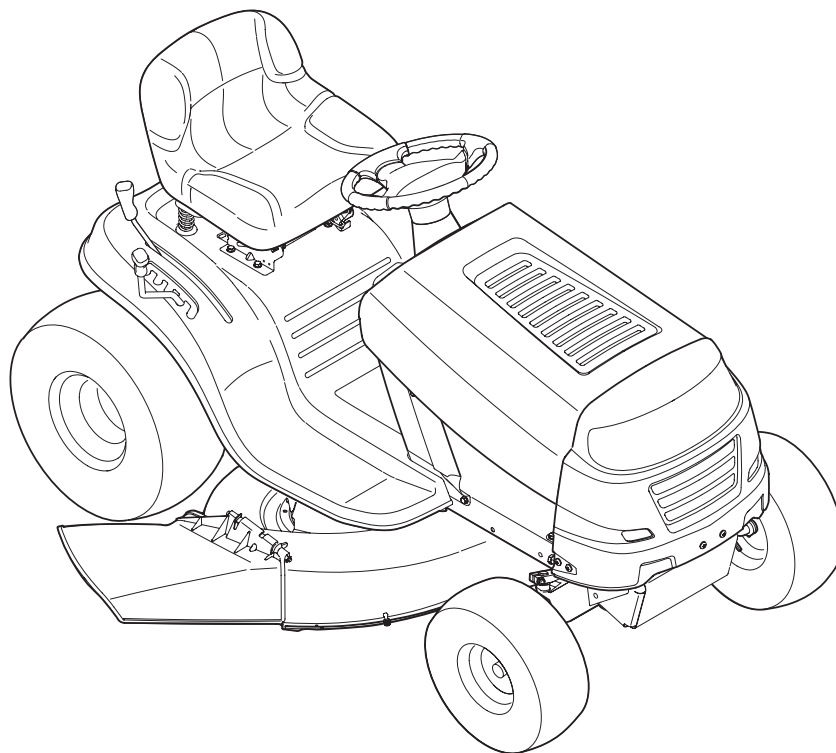




# ILLUSTRATED PARTS MANUAL



## Transmatic Lawn Tractor — TB42 7-speed

---

TROY-BILT LLC, P.O. BOX 361131 CLEVELAND, OHIO 44136-0019

---

Printed In USA

Form No. 769-10459  
(December 08, 2014)

# To The Owner

## Thank You

Thank you for purchasing an MTD Lawn Tractor. It was carefully engineered to provide excellent performance when properly operated and maintained.

All information in this manual is relative to the most recent product information available at the time of printing. Please be aware that this Illustrated Part's Manual may cover a range of product specifications for various models.

Components listed and/or illustrated in this manual may not be applicable to all models. We reserve the right to change product specifications, designs and equipment without notice and without incurring obligation.

Throughout this manual, all references to *right* (RH) and *left* (LH) are observed from the operating position.

---

## Table of Contents

<a href="#">K Style Hood.....</a>	<a href="#">4</a>
<a href="#">Frame and PTO Lift .....</a>	<a href="#">6</a>
<a href="#">Front End Steering.....</a>	<a href="#">8</a>
<a href="#">Seat and Fender .....</a>	<a href="#">10</a>
<a href="#">Transmission.....</a>	<a href="#">12</a>
<a href="#">42" Deck .....</a>	<a href="#">14</a>
<a href="#">MTD P90.....</a>	<a href="#">16</a>
<a href="#">Wiring Harness Schematic - 725-04567H.....</a>	<a href="#">17</a>
<a href="#">Engine Model 4P90HUA .....</a>	<a href="#">18</a>

---

## Record Product Information

To ease in ordering replacement parts, please locate the model plate on the equipment and record the information in the provided area to the right. You can locate the model plate by looking beneath the seat.

### MODEL NUMBER

--	--	--	--	--	--	--	--	--	--	--	--

### SERIAL NUMBER

--	--	--	--	--	--	--	--	--	--	--	--

---

## Painted Parts

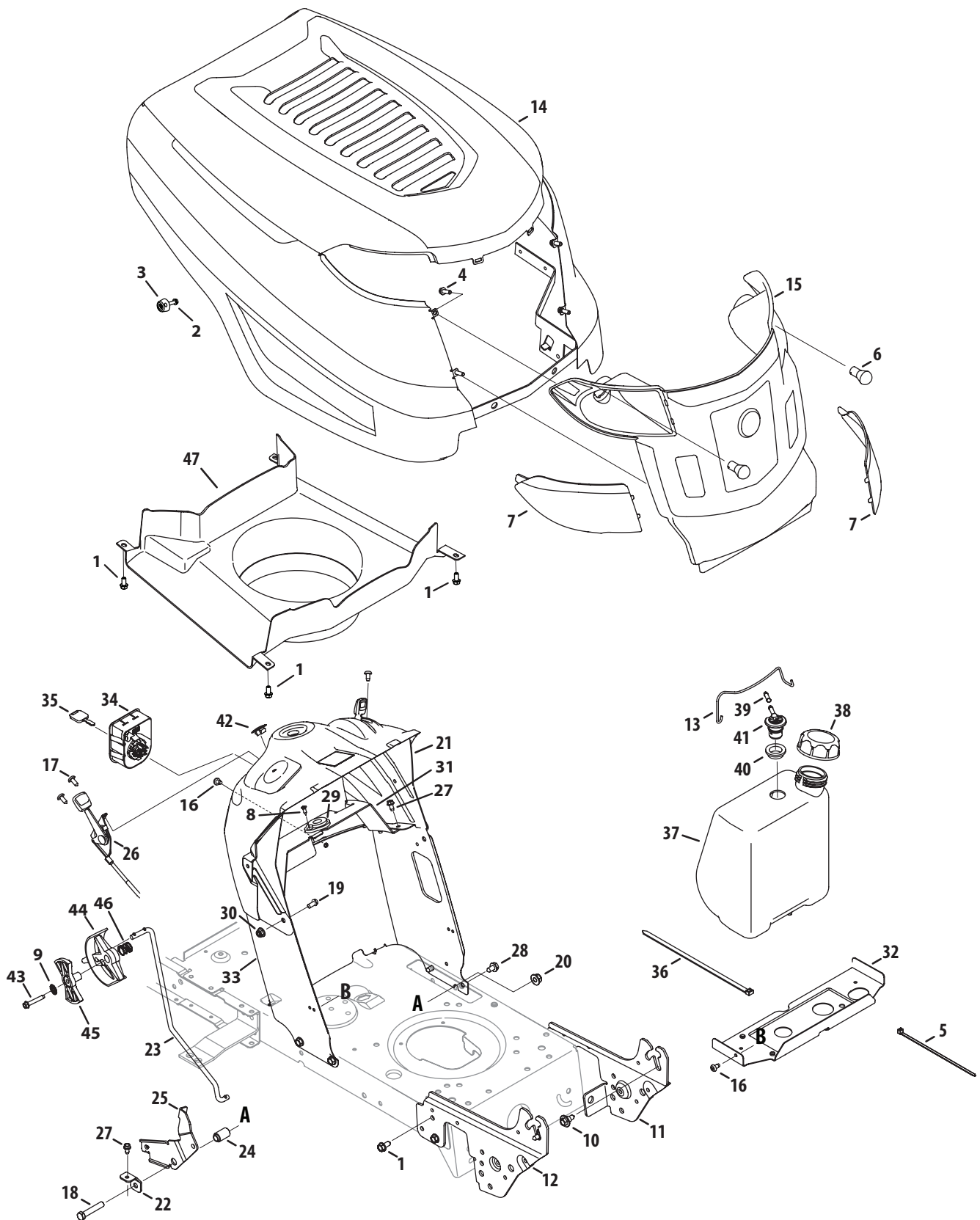
When ordering painted service parts, a four digit color suffix must be added to the part number (e.g. 783-XXXX-0637). Please refer to the table below for current color codes:

0637	Black
0709	Dark Green (Bolens, Yard-Man)
0662	Oyster Gray (MTD Gold)
0638	Red (Yard Machines, Huskee, Troy-Bilt, MTD)
0691	Black Jack (MTD Gold, MasterCut)

0674	Yellow (Yard-Man)
0650	Metallic Red (White Outdoor)
0629	Silver Flake (MTD Platinum)
04038	Day Orange (Daedong)
04033	Flint Mica (Troy-Bilt XP)

This page intentionally left blank.

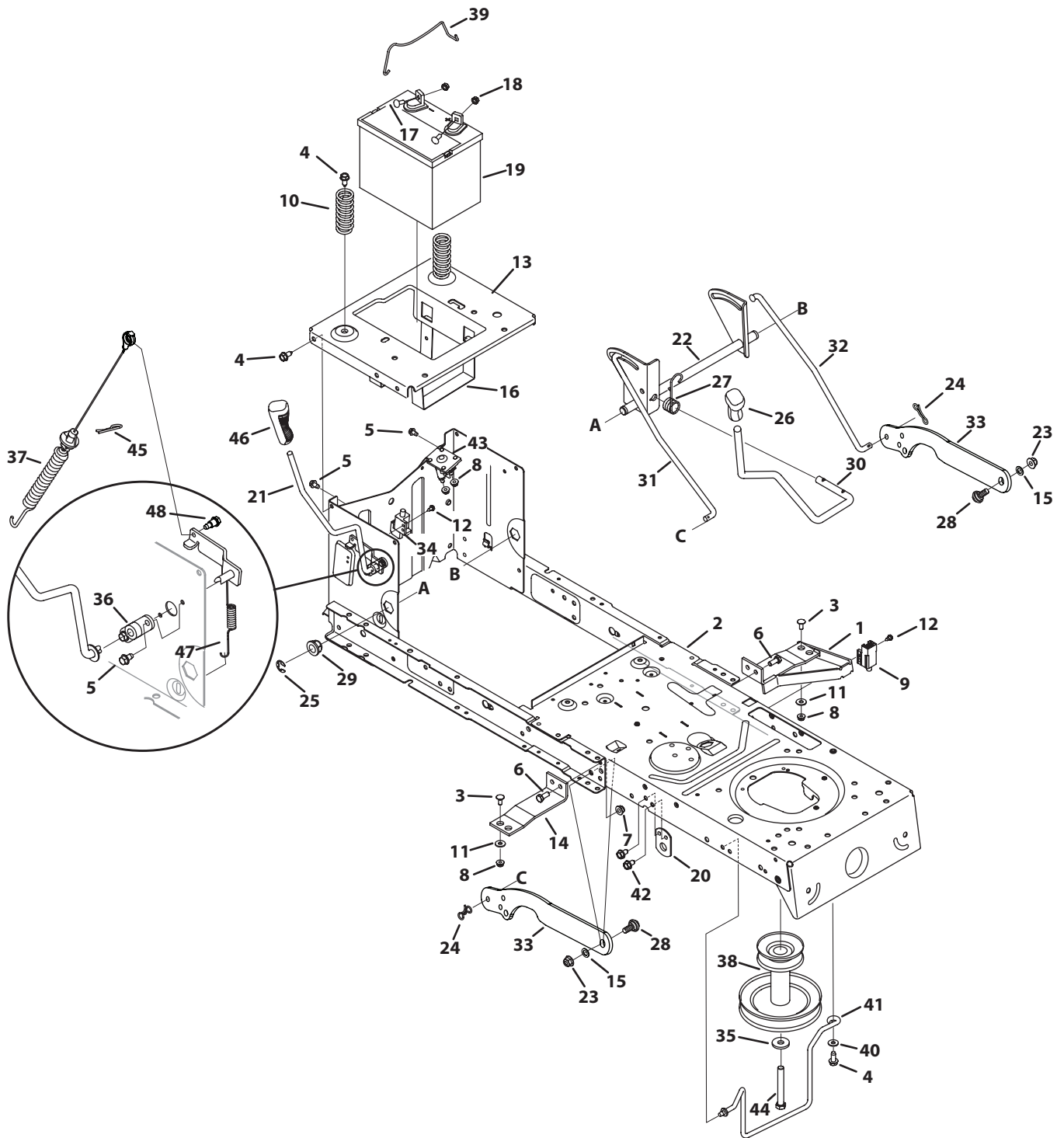
# K Style Hood



## K Style Hood

Ref. No.	Part No.	Description	Ref. No.	Part No.	Description
1	710-04484	Screw 5/16-18 x .750	25	783-06991	Transmission Speed Latch
2	710-05281	Screw, #12-16 x 1.25	26	746-04367	Throttle/Choke Control Cable
3	731-06404	K-Style Bumper	27	710-1652	Tap Screw, 1/4-20, 0.625
4	710-05108	Screw, 1/4 x .750	28	710-0604A	Screw 5/16-18 x .625
5	725-0157	Cable Tie	29	741-0587	Bearing, .628 ID x 1.36
6	925-0963	Miniature lamp 12V socket	30	712-04063	Flange lock Nut 5/16-18
7	731-06095	Grill Lens - LH	31	783-06785C	Bracket, Steering Support
	731-06096	Grill Lens - RH	32	783-07083	Gas Tank Support Bracket
8	910-0224	Screw, #10-16 x .500	33	783-06811D	Dash, Lower NWNDW
9	736-3006	Lock Washer, 1/4	34	925-04659	Key Switch Module
10	738-04091A	Shoulder Screw .43 x .29	35	625-05002	Key, Assembly
11	783-05327B	Support Bracket LH	36	726-0230	Cable Tie
12	783-05328A	Support Bracket RH	37	951-04304	Fuel Tank, 1.36 Gallon
13	683-04448	Battery Rod	38	951-12179B	Fuel Cap
14	683-04441A	Hood	39	751-12089-28	Hose Vent, 3/16
15	631-04272	Grill	40	735-04081	Rubber Grommet
16	710-05070A	Screw, 1/4-20 x .500	41	751-12118	Rollover Valve
17	710-04483	Screw 1/4-20 x .500	42	731-05265	Choke Plug
18	710-3144	Hex Screw 3/8-16 x 2.00	43	710-0778	Hex Washer Screw, 1/4-20 x 1.50
19	710-3025	Hex Screw, 5/16-18 x .625	44	731-07885B	Shift Lever
20	712-04065	Flange Lock Nut 3/8-16	45	731-07895A	Index Control
21	931-08054A	Dash, Upper	46	732-04877	Compr. Spring, .72 OD x .78
22	783-06823	Speed Latch Tab	47	931-09328	Plenum
23	747-05398	Speed Control Rod	—	925-04567H	Harness, LT-5, NRMCDual
24	750-04465C	Flange Spacer .39 x .671 x 1.095			

# Frame and PTO Lift



## Frame and PTO Lift

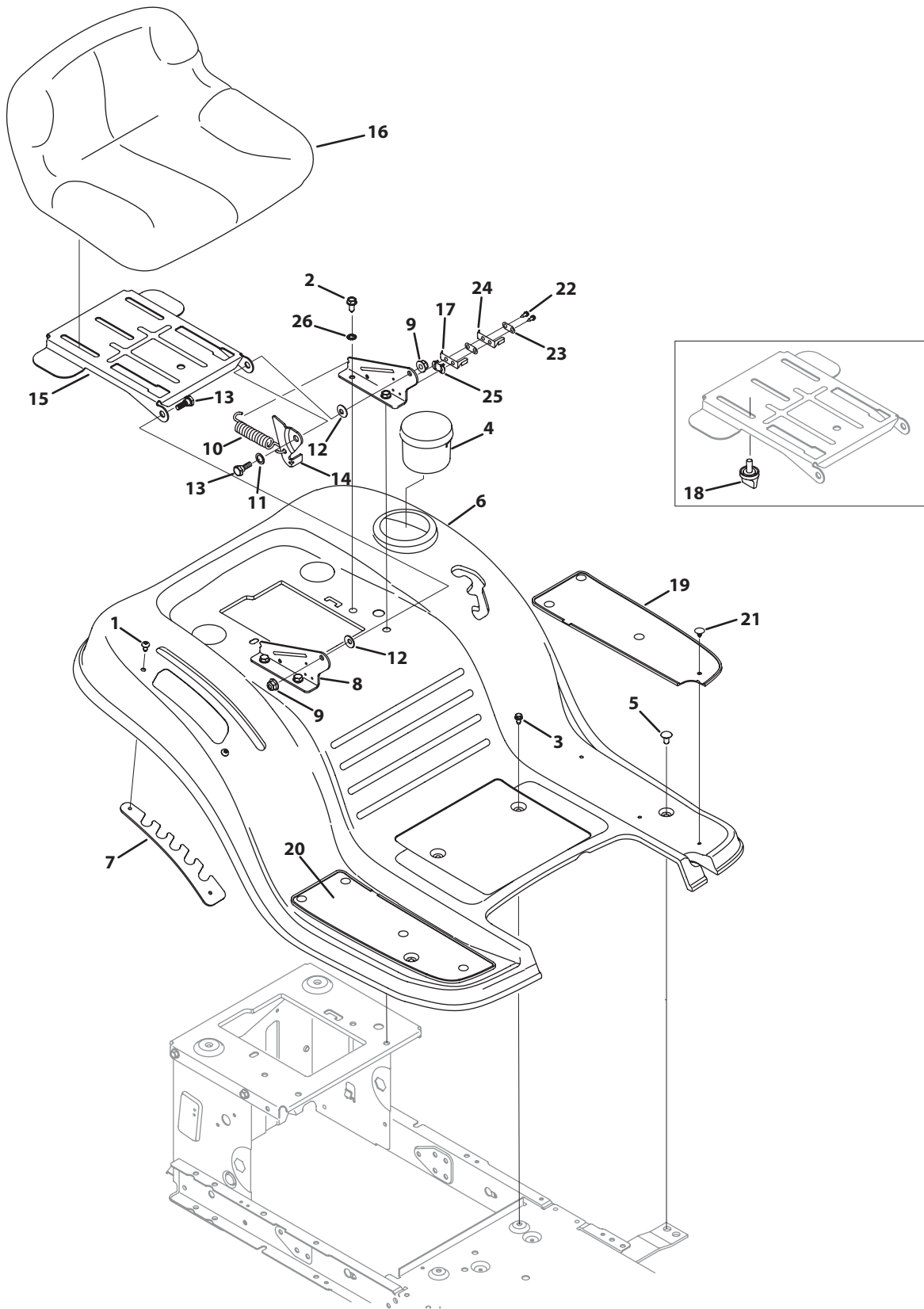
Ref. No.	Part No.	Description	Ref. No.	Part No.	Description
1	683-04195	Support Bracket	25	716-0106A	E Ring
2	683-05139	Frame Assembly	26	720-0298	Handle Grip, 5/8
3	710-0703	Screw Carriage, 1/4-20 x .75	27	732-04438	Torsion Spring
4	710-04484	Screw 5/16-18 x .750	28	938-0380	Shoulder Bolt, 3/8-16 x .50 x .270
5	710-0599	Screw, 1/4-20 x .500	29	941-0225	Hex Flange Bearing
6	710-3008	Hex Screw, 5/16-18 x .75	30	747-04653A	Deck Lift Handle
7	712-04063	Flangelock Nut, 5/16-18	31	747-06237A	Lift Rod, RH
8	712-04064	Flangelock Nut, 1/4-20	32	747-06253	Lift Rod, LH
9	925-04039	Screw Mount Interlock Switch	33	783-0678C	Lift Arm
10	732-0735A	Compression Spacer, 1.314 x 2.55	34	725-04363	Switch Interlock
11	736-0173	Flat Washer, .28 x .74 x .063	35	736-0322	Flat Washer, .450 x 1.250 x .164
12	738-04237A	Shoulder Spacer, 10-32 x .500	36	741-04119A	PTO Bearing
13	783-04548D	Seat Frame Bracket	37	946-05124A	Deck Engage Cable
14	783-04637	Running Board Bracket	38	756-04196A	Engine Pulley, 3.39 x 6.12
15	936-0140	Flat Washer, .385 x .62 x .063	39	683-04448	Battery Hold Down Rod
16	783-04869A	Battery Bracket	40	936-0300	Flat Washer, .406 x .875 x .059
17	710-04666	Hex Head Flange, 1/4-20 x .75	41	747-04857	42" Belt Keeper
18	712-0271	Sems Nut, 1/4-20	42	710-0604A	Screw, 5/16-18.0 x .625
19	925-1707D	230 CCA Battery	43	725-06153	12V Solenoid
20	783-04536B	Support Bracket	44	710-3157A	Hex Screw, 7/16-20 x 3.25
21	647-05041	PTO Handle Assembly	45	914-0145	Click Pin, .092 x 1.64
22	683-04334	Lift Assembly	46	720-04049A	Handle Grip, 3/8
23	712-04065	Flangelock Nut, 3/8-16	47	732-04276A	PTO Spring Extension
24	714-04040	Bow-tie Cotter Pin	48	738-04425	Shoulder Bolt, 1/4-28 x .342 x .335





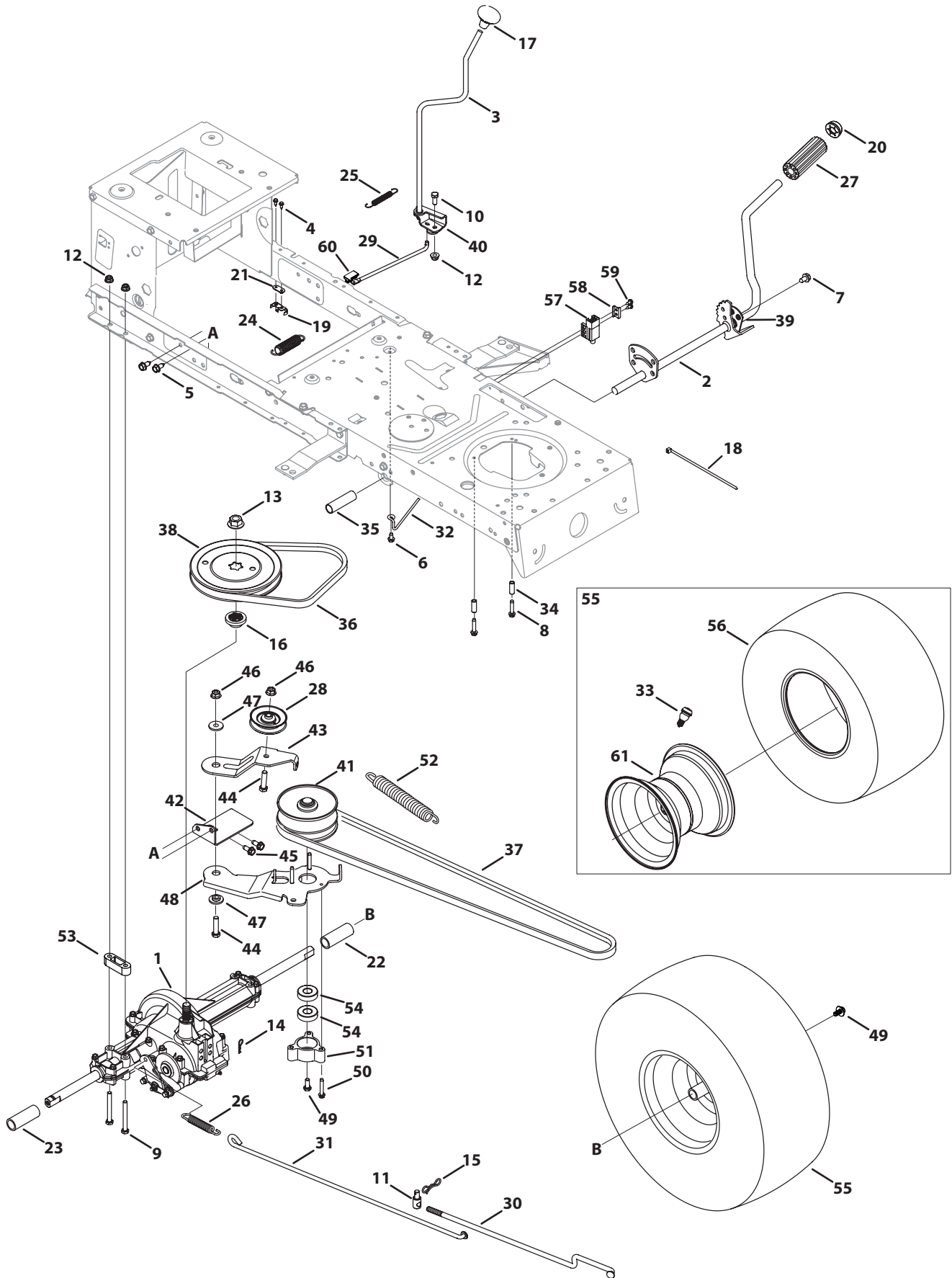
Ref.	Part Number	Description
1	617-04094	Front Steering Gear Assembly
2	710-0514	Hex Screw, 3/8-16 x 1.00
3	710-0643	Hex Screw, 5/16-18 x 1.00, Lock
4	710-1309	Machine Screw, 5/16-18 x .750
5	710-3180	Hex Screw, 5/16-18 x 1.75
6	912-0240	Jam Nut, 7/16-20
7	912-0214	Jamlock Nut, 3/8-24
8	712-04063	Flangelock Nut, 5/16-18
9	938-04013	Front RH Axle
10	923-0448A	Ball Joint, 7/16-20
11	736-0242	Bell Washer, .340 x .872 x .060
12	938-04014A	Front LH Axle
13	738-04141	Shoulder Bolt, 5/16-18 x .435 x .350
14	938-05078	Steering Shaft, 5/8
15	941-04124	Flange Bearing, 5/8
16	931-0484A	Hub Cap
17	747-05385A	Steering Link
18	948-0389	Cap, 1.25 x .16
19	748-04278	Steering Block
20	748-04068	Spacer, .71 x .125 x .56
21	731-04681	Cap, Troy-Bilt
22	783-08577	Stabilizer Plate
23	736-04228A	Flat Washer, .781 x 1.590
24	683-0128B	Pivot Axle
25	714-0162	Cotter Pin, 5/32 x 1.25
26	710-04484	Screw, 5/16-18 x .750
27	912-0431	Flangelock Nut, 3/8-16
28	914-0474	Cotter Pin, .125 x .75
29	634-05053-0911	Wheel Assembly
30	631-04028	Steering Wheel
31	634-05066	Rim Asm, 6.0 x 4.5
32	934-0255	Valve, tubeless Air
33	734-04240A-0901	Tire, 15 X 6 X 6 Rd Shldr
34	738-04128	Shoulder Bolt, 3/8-16 x .500 x 2.38
35	747-04299A	Fixed Rod
36	783-05326B	Pivot Bar Bracket
37	726-0341	Push Cap, 3/4
38	731-04057A	Standard Axle Cap
39	741-0660A	Flange Bearing, .760 x .941 x 1.0
40	750-06192A	Spacer, .38 ID x .854 OD x .20
41	736-0331	Bell Washer, .390 x 1.13 x .062

# Seat and Fender



Ref. No.	Part No.	Description
1	710-05070A	Screw, 1/4-20 x .500
2	710-04484	Screw, 5/16-18 x .750
3	710-0599	Screw Pan Torx Head, 1/4-20 x .500
4	731-04591A	Cup Holder
5	710-0134	Screw Carriage, 1/4-20 x .62
6	783-04587D	Fender - Red
7	783-04843	Lift Adjuster Bracket - Powder Black
8	783-1489D	Seat Mount Bracket - Powder Black
9	712-04063	Flangelock Nut, 5/16-18
10	732-1184	Extension Spring
11	936-0108	Flat Washer, .510x .750 x .033
12	736-0242	Bell Washer, .340 x .872 x .060
13	938-0296	Shoulder Screw, 5/16-18 x .437 x .268
14	783-0209D	Lift Seat Bracket
15	783-04081D	Pivot Seat Manual Adjust Bracket
16	757-04083A	Med. Back Seat, Black
17	725-1439	Inner Seat Spring
18	720-04061	Knob, 3/8-16 x .875
19	735-04047	Foot Pad, LH
20	735-04048	Foot Pad, RH
21	726-3046	Ratchet Clip, .250 x .500
22	710-0227	Screw, 8-18 x .500
23	726-0279	Insulator Plate
24	925-1308A	Outer Seat Spring
25	726-0278	Insulator Boss Plate
26	736-0607	Loack Washer, 5/16

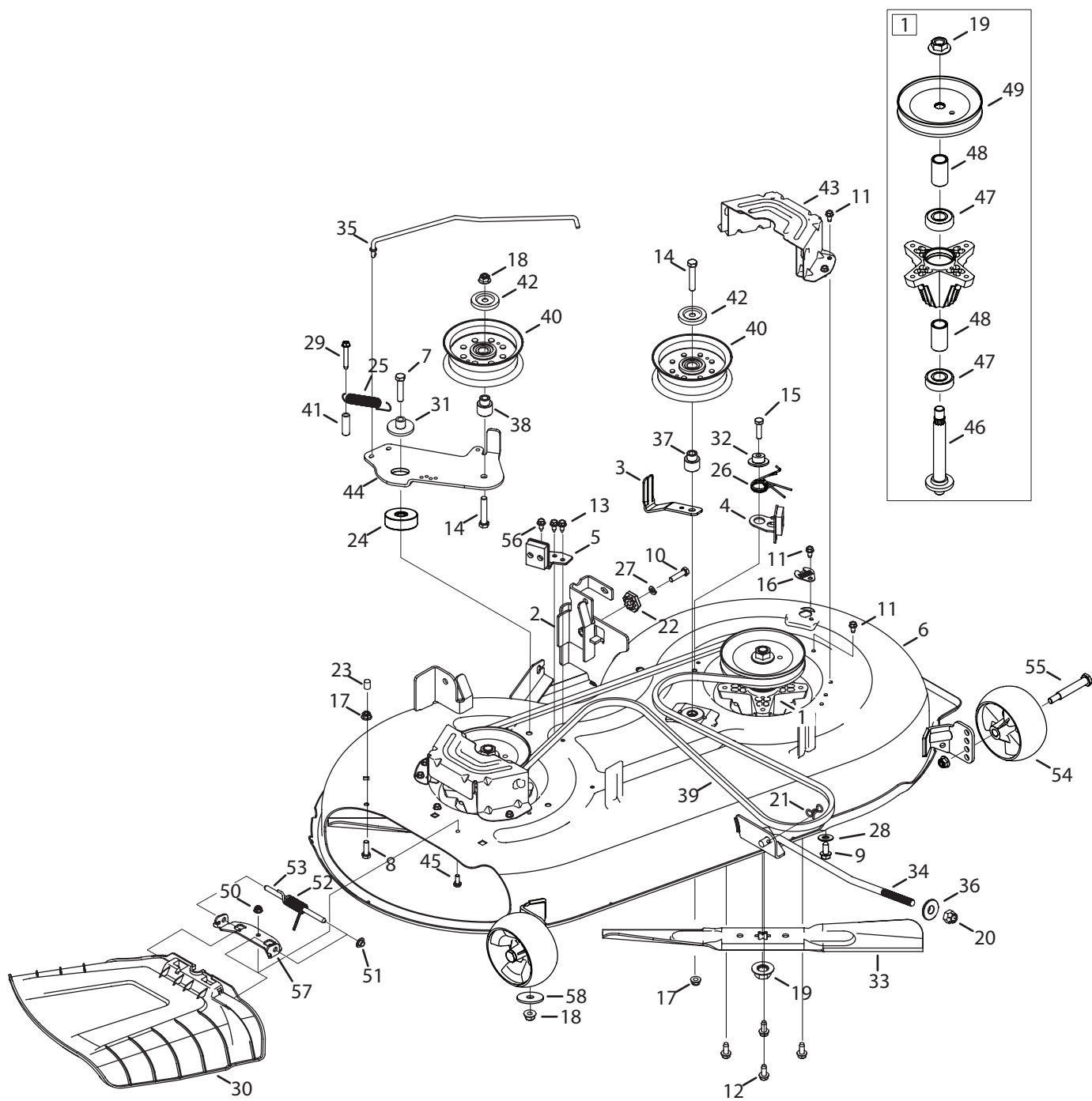
# Transmission



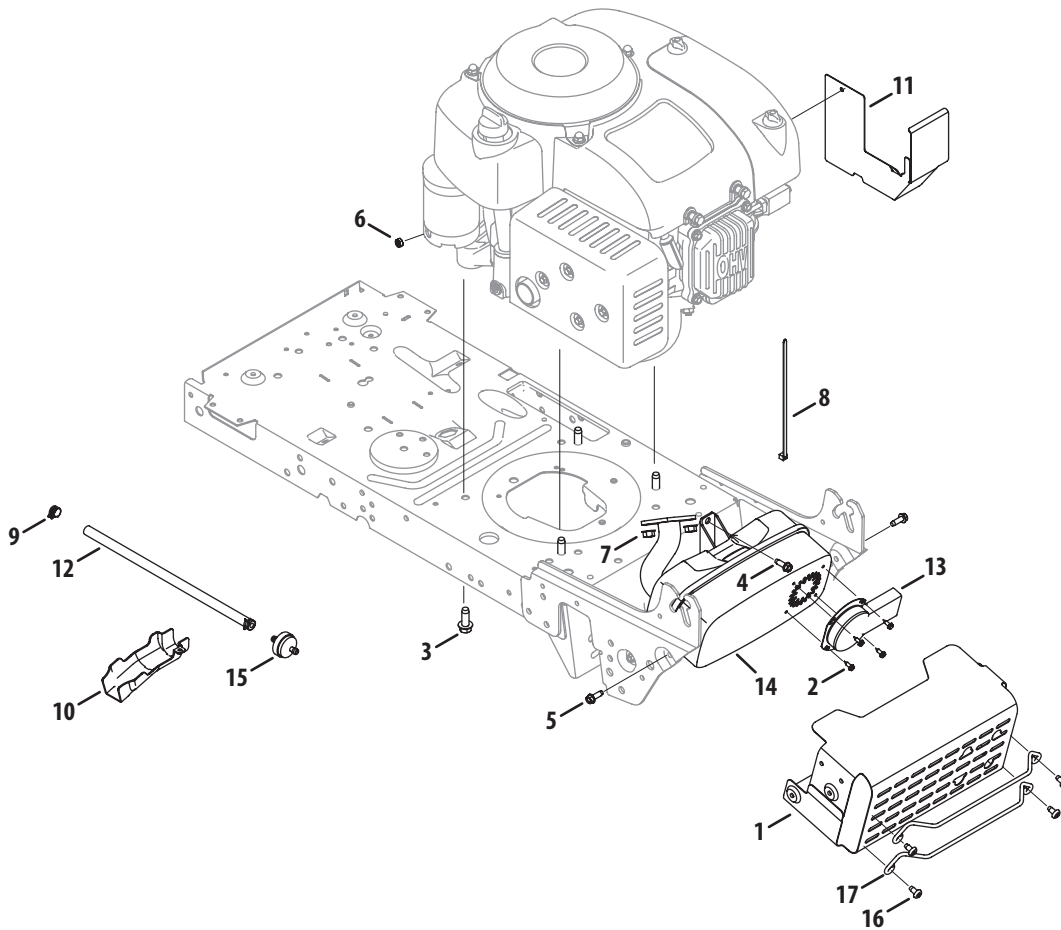
# Transmission

Ref.	Part Number	Description	Ref.	Part Number	Description
1	918-04566A	Transmission Drive Assembly	32	747-04969	Belt Keeper Rod
2	647-04034C	Pedal Assembly	33	934-0255	Valve, tubeless Air
3	647-04266	Shaft Lever Assembly	34	750-0566A	Spacer, .260 x .375 x 1.030 LG
4	710-0227	Screw, 8-18:0.500	35	750-0802	Spacer, .640 ID x .76 OD x 2.63
5	710-04484	Screw, 5/16-18 x .750	36	954-05040	V Belt, 5L 35.25 POLY
6	710-0599	Screw, 1/4-20 x 0.500	37	954-04249A	V Belt, 5L 70.90 POLY
7	710-0604A	Screw, 5/16-18 x 0.625	38	956-04002	V Pulley 7.25 DIA SPUN
8	710-0809	Screw, 1/4-20 x 1.250	39	783-04536B	Pedal Support Bracket
9	710-1266	Hex Screw, 5/16-18 x 3.50	40	783-04595A	Shaft Adjust Bracket
10	710-3008	Hex Screw, 5/16-18 x .75	41	956-04015A	Variable Speed Pulley Assembly
11	711-06103	Ferrule, 3/8-24 X .375 DIA.	42	683-04176A	Transmission Bracket Assembly
12	712-04063	Flangelock Nut, 5/16-18	43	753-05147	Idler Bracket Assembly
13	712-0700	Flange Nut, 9/16-18	44	710-0347	Hex Screw, 3/8-16 x 1.75
14	914-0209	Cotter Pin INT- .125 DIA	45	710-1260A	Screw, 5/16-18 x 0.750
15	714-04040	Bow-Tie Cotter Pin, 72	46	712-04065	Flangelock Nut, 3/8-16
16	718-04407	Pulley Hub, 5/8 SPLINE	47	938-0347	Shoulder Spacer, .625 ID x .169
17	720-04028	Shift Knob	48	753-05147	Bracket Assembly
18	725-0157	Cable Tie	49	710-05339	Screw, 5/16-24 x .750
19	725-1644	Short Spring Switch	50	710-0778	Screw, 1/4-20 x 1.500
20	726-0214	Push Cap, 5/8	51	718-04261	Bearing Cup
21	926-0320	Plate Insulator Nut	52	732-04746	Extension Spring, .94 OD x 6.75 LG
22	731-04602	Sleeve, .758 x .821 x 3.3125	53	948-0334	Spacer
23	731-04604	Sleeve, .758 x .821 x 2.4375	54	941-0600	Ball Bearing, 17 x 40 x 12
24	732-04306	Spring Extension, .80 OD x 3.28 LG	55	634-04324-0911	Wheel, 20 x 8 x 8
25	732-04488	Spring Extension, .38 OD x 3.25 LG	56	734-04241-0901	Tire, 20 X 8 X 8 Rd Shldr
26	732-0716D	Spring Extension, .59 OD x 4.00 LG	57	725-04363	Switch Interlock
27	735-0239	Foot Pad, 4.0 LONG	58	17962	Plate Switch
28	756-04325	Idler Pulley	59	738-04237A	Shoulder Screw, #10-32 x .500
29	747-05243	Shift Rod	60	731-06894	Shift Plate Bearing
30	747-05186	Variable Speed Control Rod	61	634-04369-0662	Rim, 8.0 x 7.0 x .750
31	747-05188	Brake Rod			

# 42" Deck



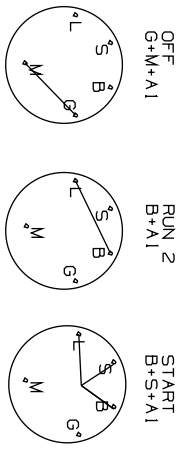
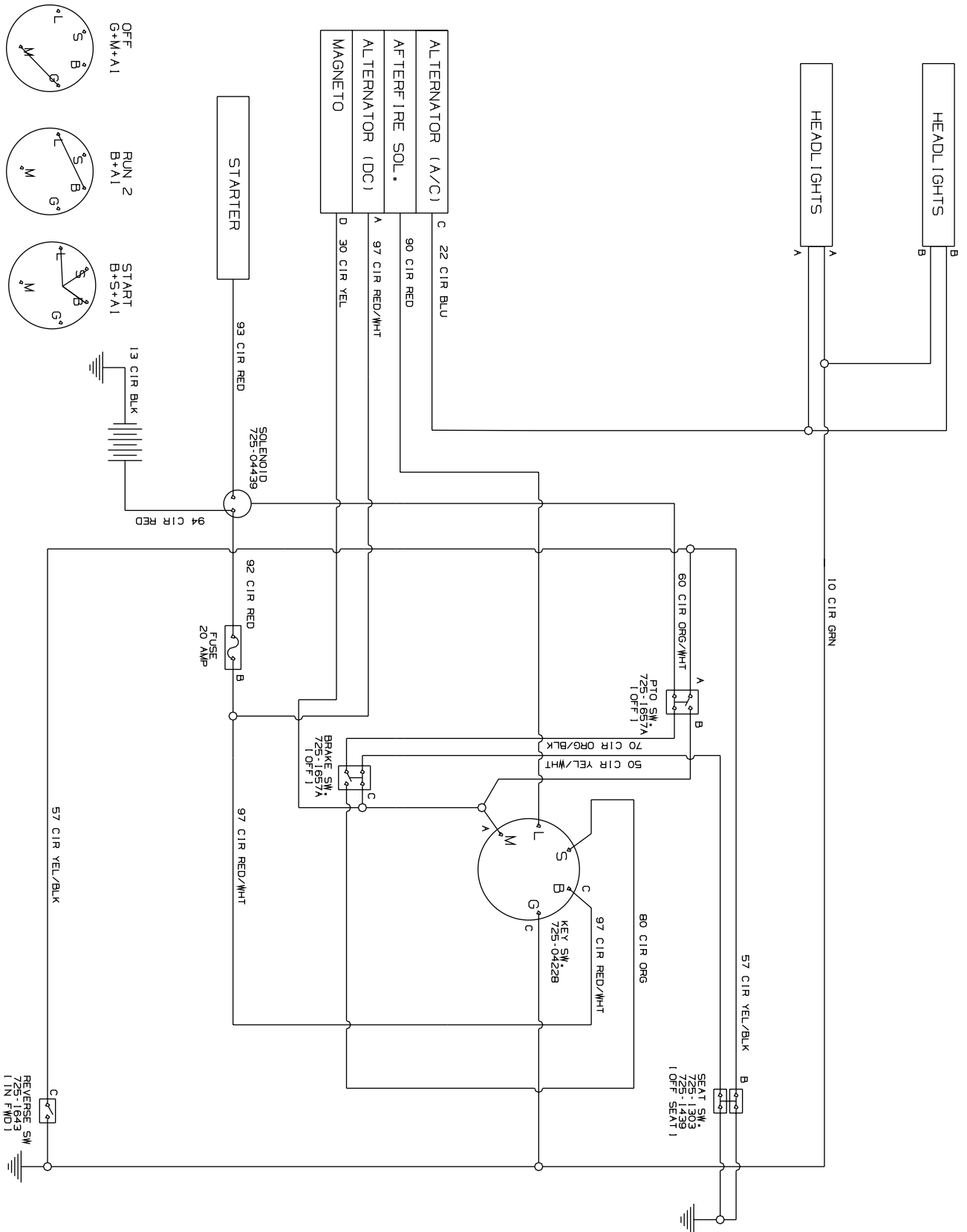
Ref.	Part Number	Description	Ref.	Part Number	Description
1.	918-06991	Spindle Ass'y, Pulley, 6.2 Dia	30.	631-04354A	Chute Deflector Assembly
2.	683-0254B	Bracket Ass'y, Deck, Hanger LH	31.	738-05082	Shoulder Spacer, .970 x .190
3.	783-08690	Belt Keeper	32.	738-05088	Shoulder Spacer, .75 x .145
4.	983-05183	Brake Assembly, Deck, LH	33.	942-04308	Blade, Cut, 21.23" 2-In-1, Econ
5.	983-05182	Brake Assembly, Deck, RH	34.	747-05141A	Rod, Lift, Deck, Frt, 12.7
6.	983-05184	Deck Assembly, 42"	35.	747-06538	Brake Rod
7.	710-0347	Hex Screw, 3/8-16 x 1.75	36.	748-04069	Deck Lift Pivot Cup
8.	710-0376	Hex Cap Screw, 5/16-18 x 1.00	37.	748-05029A	Shoulder Spacer, Idler
9.	710-04484	Screw, Self-tapping, 5/16-18, .750	38.	748-05037A	Shoulder Spacer, Pivot Idler
10.	710-0528	Hex Screw, 5/16-18, 1.25, Gr5, Std	39.	954-04060C	Belt, V Type, A Sec X 96.5
11.	710-0599	Screw, Self-tapping, 1/4-20, 0.500	40.	756-05034	Pulley, Idler, 4.50" Dia
12.	710-1260A	Screw, 5/16-18 x 0.750	41.	750-0566A	Spacer, .260 x .375 x 1.030
13.	710-06133	Screw, M6-1 x .625	42.	783-08389	Pulley Cap
14.	710-3096	Hex Screw, 3/8-16, 2.00, Gr8, Std	43.	783-08510	Deck Belt Cover, 42
15.	710-06213	Hex cap Screw, 5/16-18 x 1.25	44.	783-08654B	Deck Idler Bracket
16.	783-06464	Deck Wash Plug	45.	710-0751	Hex Cap Screw, 1/4-20 x .62
17.	712-04063	Nut, Flange Lock, 5/16-18, Grf	46.	738-1186A	Shift, Spindle, 6.11.
18.	712-04065	Nut, Flange Lock, 3/8-16, Grf	47.	941-0919B	Bearing, Ball, .787id x 1.85 Odx.551
19.	712-0417A	Nut, Flange, 5/8-18	48.	750-04936	Spacer, .792 x 1.060 x 1.860
20.	712-04243	Flange Lock Nut, 1/2-13	49.	756-05031	Pulley, Deck, 5.4 Dia
21.	714-04043	Bow-Tie Cotter Pin	50.	712-04064	Nut, Flange Lock, 1/4-20, Nylon
22.	917-04074	Gear, Deck, Adjustment	51.	726-04009	Push Cap
23.	720-05010	Cap, .290 x .500	52.	732-05261	Spring, Torsion, .440 ID x 1.75
24.	750-06184	Spacer, .385 x 1.75 x .585	53.	747-06290B	Hinge Pin
25.	732-04629	Extension Spring, .750 X 4.77	54.	734-04155	Wheel, Deck, 5.0 Dia Ball
26.	732-05151A	Torsion Spring, LH	55.	938-3056	Bolt, Shoulder, .496 x 2.50, 3/8-16
27.	936-0119	Washer, Lock, 5/16, Regular Duty	56.	738-04184A	Shoulder Screw, 1/4-20
28.	936-0300	Flat Washer, .406 x .875 x .059	57.	783-08504A	Bracket, Chute, 42"
29.	710-0778	Screw, Self Tapping, 1/4-20, 1.50	58.	936-3039	Flat Washer, .406 x 1.50 x .105



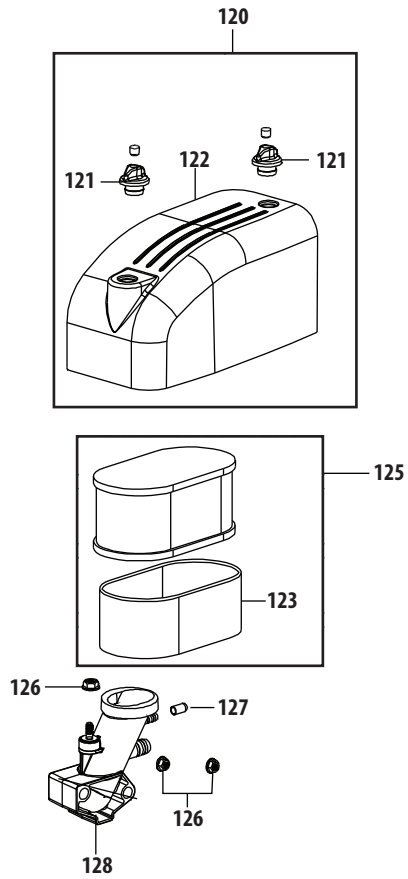
Ref.	Part Number	Description
1	683-04549A	Muffler Shield Assembly with Weld
2	710-0227	Screw, 8-18 x .500
3	710-04683C	Screw, 3/8-16 x 1.0
4	710-0599	Screw, 1/4-20 x .500
5	710-0642	Screw, 1/4-20 x .750
6	912-0691	Nut, M6-1, Hexlock
7	712-3086	Flange Nut, M8-1.25
8	725-0157	Cable Tie
9	726-0205	Clamp Hose, .490 diameter
10	731-05628	Oil Drain Sleeve
11	783-08122	Deflector Bracket
12	751-10349-16	Fuel Hose, Low Permeation
13	751-11053A	Muffler Deflector Long
14	751-14527	Muffler
15	BS-298090S	Fuel Filter
16	710-05070A	Pan Torx Screw 1/4
17	747-06404A	Muffler Guard Rod



# Wiring Harness Schematic - 725-04567H

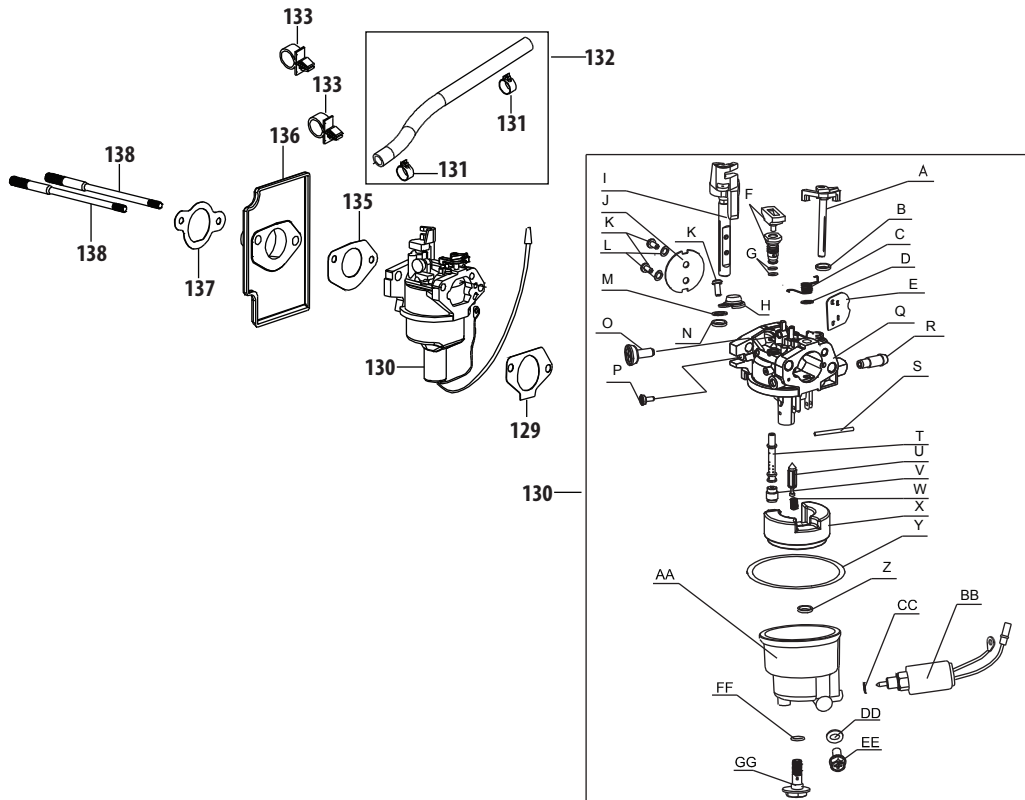


# Engine Model 4P90HUA Air Intake



Ref.	Part Number	Description
120	951-14458	Air Filter Cover Assembly
121	951-14466	Air Filter Lock Nut
122	951-12255	Air Filter Cover
123	951-12256	Sponge Filter
125	951-12260	Air Filter Assembly
126	712-04212	Nut M6
127	951-12328	Rubber Cap
128	951-12257A	Manifold

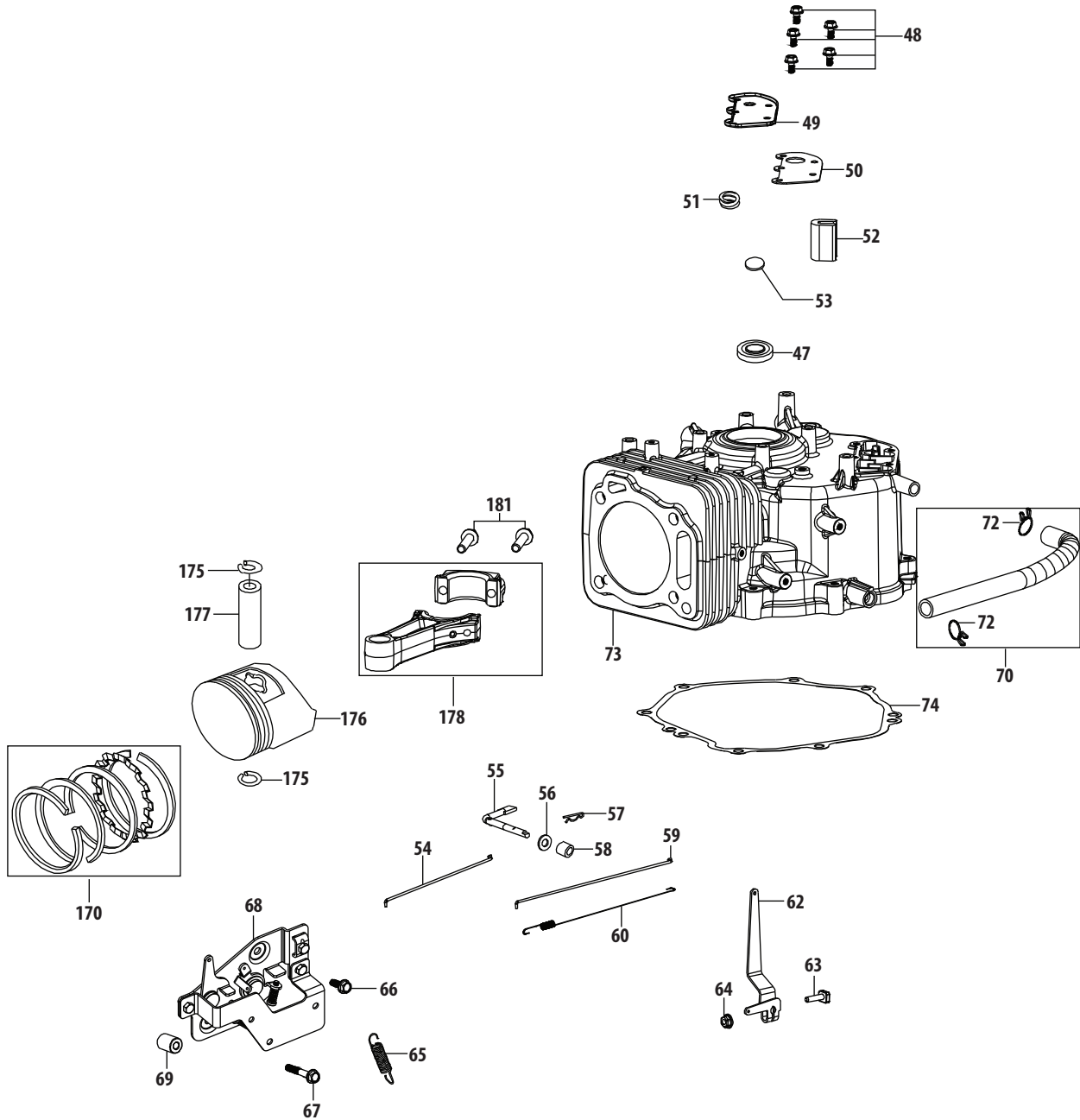
# 4P90HUA Carburetor Assembly



Ref.	Part Number	Description
129	951-12258A	Manifold Gasket
130	951-05149	Carburetor Assembly
131	951-11731	Fuel Hose Clamp
132	951-11336	Fuel Line Kit
133	723-04071	Plastic Support Clamp
135	951-12261	Carburetor Gasket
136	951-12262	Carburetor Insulator
137	951-12263	Carburetor Insulator Gasket
138	951-12264	Carb Stud
	951-14708	Carburetor Kit - Major
A	n/a	Choke Shaft
B	n/a	Choke Shaft Fiber O-Ring
C	n/a	Choke Return Spring
D	n/a	Flat Steel Washer
E	n/a	Choke Plate
F	n/a	Idle Jet Assembly
G	n/a	Idle Jet O-Ring
H	n/a	Sheetmetal Housing
I	n/a	Throttle Shaft
J	n/a	Throttle Plate
K	n/a	Screw M3×5
L	n/a	Lock Washer

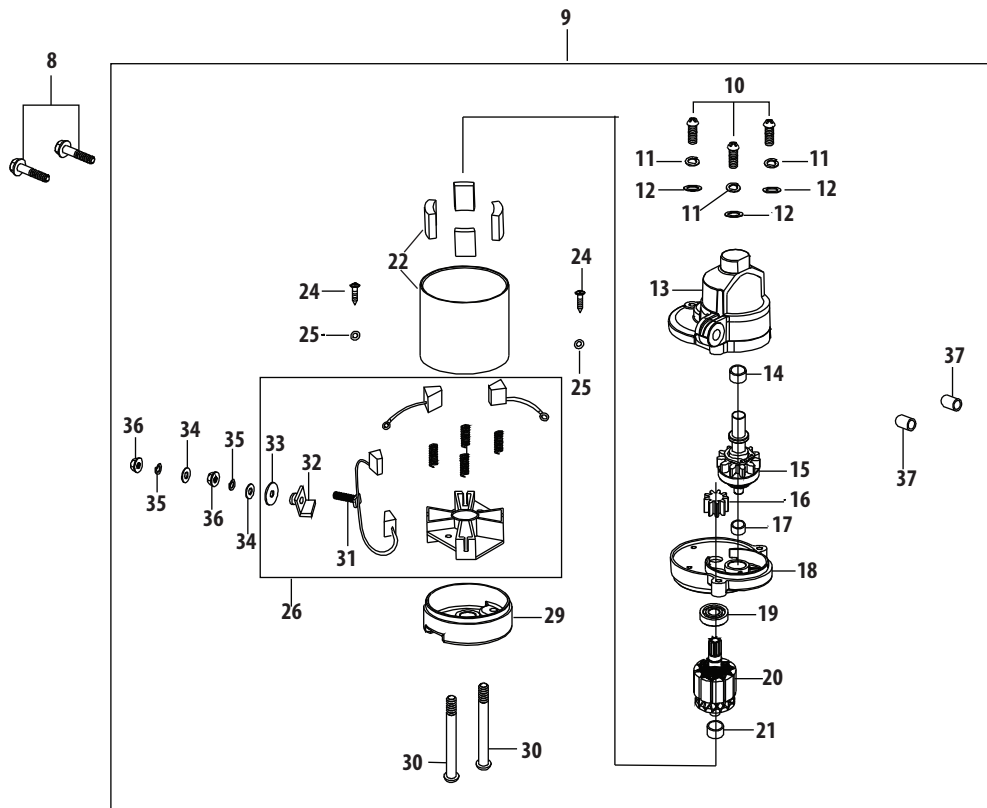
Ref.	Part Number	Description
M	n/a	Nylon/Plastic O-Ring
N	n/a	Fiber O-Ring
O	n/a	Idle Speed Adjusting Screw
P	n/a	Idle Mixture Screw
Q	n/a	Carburetor Body
R	n/a	Fuel Inlet
S	n/a	Float Pin
T	n/a	Emulsion Tube
U	n/a	Needle Valve
V	n/a	Main Jet
W	n/a	Needle Valve Spring
X	n/a	Float
Y	n/a	Fuel Bowl O-Ring
Z	n/a	Ring
AA	n/a	Fuel Bowl
BB	n/a	Solenoid Valve Assembly
CC	n/a	Solenoid Valve Washer
DD	n/a	Fuel Drain Plug Gasket
EE	n/a	Fuel Drain Plug
FF	n/a	Ring
GG	n/a	Seat/Fuel Bowl Bolt

# 4P90HUA Crankcase



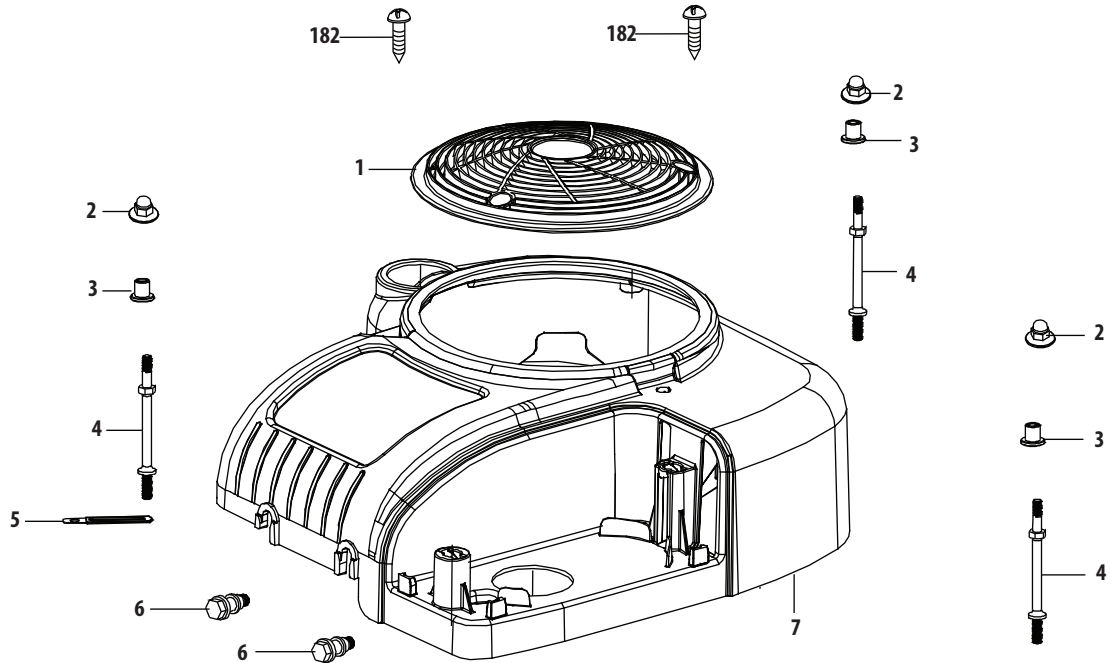
Ref.	Part Number	Description	Ref.	Part Number	Description
47	951-11499	Upper Crankshaft Seal	64	712-04212	Governor Arm Nut M6
48	710-04916	Bolt M6×14	65	932-05187	Governor Spring
49	951-14456	Breather Cover Plate	66	710-04979	Bolt M6×18
50	951-12226	Breather Gasket	67	710-05310	Bolt M6×38
51	951-12685	Umbrella Valve	68	951-14457	Component Bracket/Separate
52	951-12227	Mesh Screen	69	750-05530	Component Bracket Spacer
53	951-12686	Umbrella Valve Seat	70	951-12235	Breather Hose Assembly
54	951-12228	Choke Linkage	72	951-12236	Breather Hose Clamp
55	947-06356	Governor Arm Shaft	73	919-05022A	Crankcase
56	736-04558	Governor Washer	74	951-12237	Crankcase Cover Gasket
57	714-04074	Governor Cotter Pin	170	951-05156	Piston Ring Set
58	951-11574	Governor Seal	175	951-11953	Piston Pin Snap Ring
59	951-12230	Throttle Linkage	176	951-14677	Piston
60	951-12231	Throttle Linkage Spring	177	951-11954	Piston Pin
62	951-12232	Governor Arm	178	951-12277	Connecting Rod Assembly
63	710-04908	Governor Arm Bolt	181	710-05319	Connecting Rod Bolt

# 4P90HUA Starter Assembly



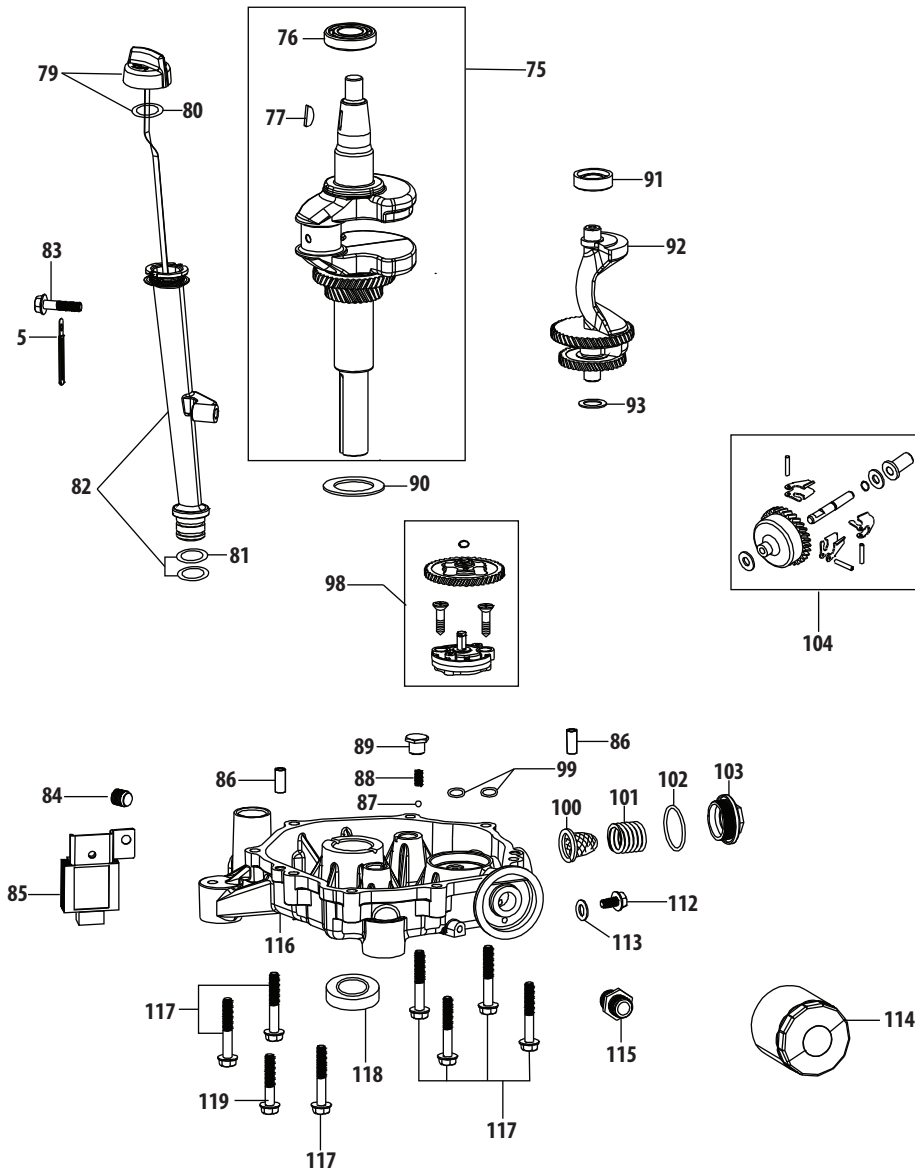
Ref.	Part Number	Description
8	710-05306	Bolt M8×40
9	951-12207	Starter Assembly
10	710-05307	Screw M5×25
11	736-04554	Lock Washer 5
12	736-04556	Plain Washer 6
13	951-12208	Electrical Starter Front Cover
14	951-12211	Bearing
15	951-12210	Pinion/Clutch Assembly
16	951-12312	Gear
17	951-12209	Bearing
18	951-12212	Pinion Cover
19	951-12214	Bearing 6001Zz
20	951-12215	Starter Armature
21	951-12216	Bearing

Ref.	Part Number	Description
22	951-12528	Starter Housing Assembly
24	951-12217	Screw
25	736-04554	Lock Washer
26	951-12529	Brush Assembly
29	951-12219	Electrical Starter Back Cover
30	710-05308	Bolt M6×100
31	710-05309	Bolt M6×30 Assembly
32	951-12324	Waterproof Washer
33	736-04555	Insulation Washer
34	736-04556	Plain Washer 6
35	736-04477	Lock Washer 6
36	712-04212	Nut M6
37	715-04120	Dowel Pin 10×14



Ref.	Part Number	Description
1	951-12205	Debris Shield
2	712-04290	Nut
3	750-05320	Engine Shroud Spacer
4	951-14454	Starter / Shroud Stud M6×99
5	951-11622	Flexible Clamp
6	710-05305	Hook Bolt
7	951-14455	Air Shield
182	710-05303	Self-Tapping Bolt 5.5×25

# 4P90HUA Crankshaft & Crankcase Cover



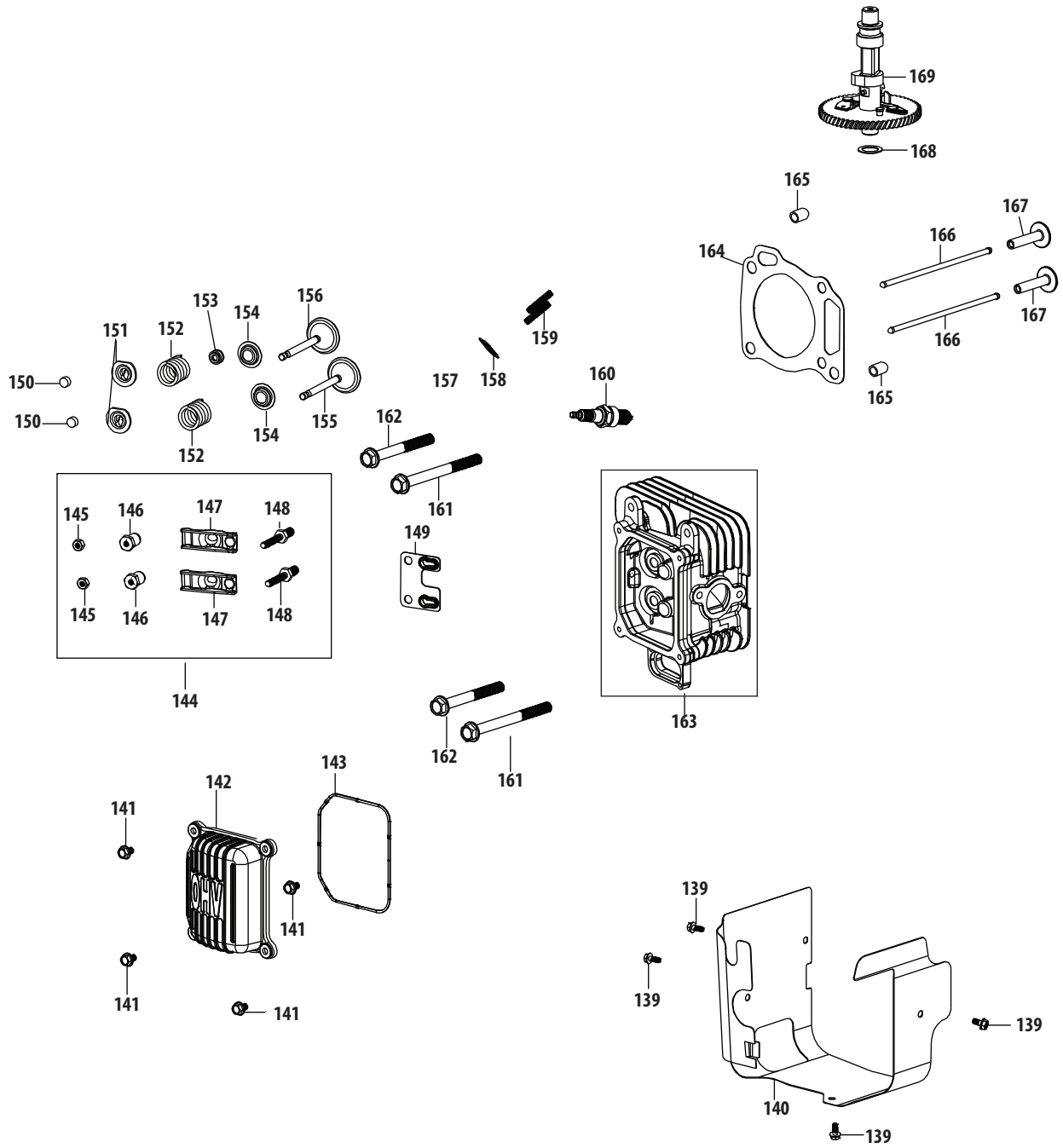


## 4P90HUA Crankshaft & Crankcase Cover

Ref.	Part Number	Description
5	951-11622	Flexible Clamp
75	951-12238	Crankshaft Assembly
76	951-11969	Main Bearing
77	951-10307	Woodruff Key
79	951-12239	Dipstick Assembly
80	951-12241	Upper O-Ring
81	951-12363	Lower O-Ring
82	951-12240	Oil Fill Tube Assembly
83	710-04980	Bolt M6×35
84	951-11644	Oil Drain Plug
85	951-12242	Regulator
86	715-04121	Dowel Pin 8×14
87	951-12243	Ball 6.35
88	951-12244	Spring
89	710-05312	Bolt
90	736-04557	Crankshaft Thrust Washer
91	951-12245	Balanceable Shaft Bearing

Ref.	Part Number	Description
92	751-12246	Balanceable Shaft Assembly
93	736-04559	Balanceable Thrust Washer
98	951-12248	Oil Pump Assembly
99	951-12247	O-Ring 10×2.65
100	951-12249	Filter
101	951-12250	Filter Spring
102	951-12251	O-Ring 35.5×2.65
103	951-12252	Filter Cover
104	951-11956	Governor Gear/Shaft Assembly
112	710-05313	Bolt M8×15
113	736-04560	Oil Drain Plug Washer
114	951-12690	Oil Filter
115	951-12253	Screw Joint
116	919-05090	Crankcase Cover
117	710-04982	Bolt M8×54
118	951-11375	Lower Crankshaft Seal
119	710-05314	Bolt M8×43

# 4P90HUA Cylinder Head

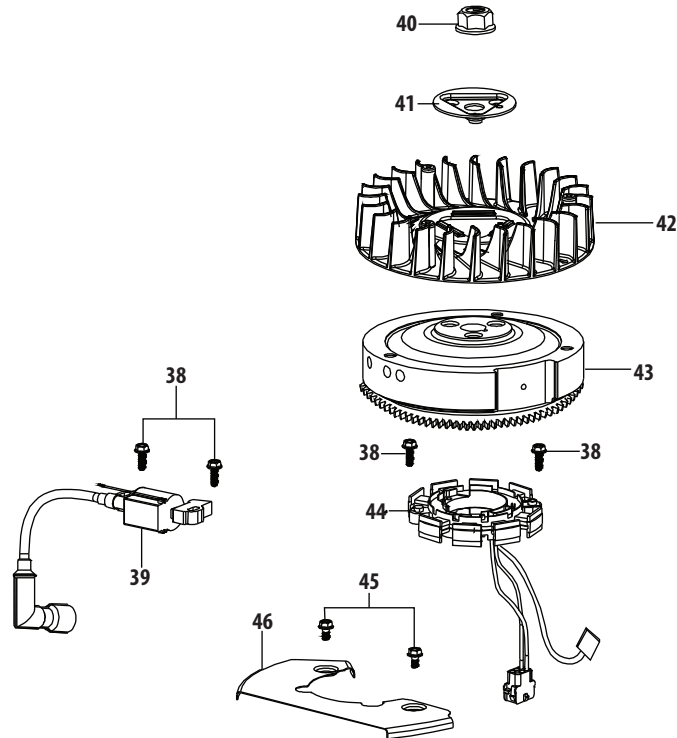


## 4P90HUA Cylinder Head

Ref.	Part Number	Description
139	710-05315	Bolt M5x10
140	951-12265	Cowl
141	710-05316	Valve Cover Bolt
142	951-12266	Valve Cover
143	951-12267	Valve Cover Ring
144	951-11981	Rocker Arm Assembly
145	751-11124	Jam Nut
146	751-11123	Fulcrum Nut
147	951-11966	Rocker Arm
148	710-04962	Rocker Arm Stud
149	951-12268	Push Rod Guide
150	951-12269	Exhaust Valve Adjuster
151	951-12080	Exhaust Valve Spring Retainer
152	951-12078	Valve Spring
153	951-11964	Intake Valve Seal
154	951-12077	Valve Spring Retainer

Ref.	Part Number	Description
155	951-11337	Valve Kit
156	951-11337	Valve Kit
157	712-04219	Nut M8
158	951-12271	Exhaust Pipe Gasket
159	951-14459	Muff Stud M8x47
159	951-14464	Muffler Stud Assembly
160	951-10292	Spark Plug/F6Rtc
161	710-05317	Bolt M10x1.25x85
162	710-05318	Bolt /M10x1.25x65
163	951-14706	Cylinder Head
164	951-12273	Cylinder Head Gasket
165	715-04122	Cylinder Head Dowel 12x16
166	951-11335	Push Rod Kit
167	951-11962	Tappet
168	736-04561	Camshaft Thrust Washer
169	951-12274	Camshaft Assembly

# 4P90HUA Ignition & Electrical



Ref.	Part Number	Description
38	710-04931	Bolt M6×28
39	951-12220	Ignition Coil Assembly
40	712-04220	Flywheel Nut M16×1.5
41	951-12221	Plate
42	951-12222A	Cooling Fan
43	919-05089	Flywheel
44	951-12224	Coil Assy. Charge
45	710-04940	Bolt M6×10
46	951-12279	Cowl









To order replacement parts or locate your nearest service dealer call a Customer Support at (800) 800-7310.  
or visit [www.mtdproducts.com](http://www.mtdproducts.com) to find the nearest authorized dealer in your area.

---

**MTD LLC, P.O. BOX 361131 CLEVELAND, OHIO 44136-0019**

---



## Free Manuals Download Website

<http://myh66.com>

<http://usermanuals.us>

<http://www.somanuals.com>

<http://www.4manuals.cc>

<http://www.manual-lib.com>

<http://www.404manual.com>

<http://www.luxmanual.com>

<http://aubethermostatmanual.com>

Golf course search by state

<http://golfingnear.com>

Email search by domain

<http://emailbydomain.com>

Auto manuals search

<http://auto.somanuals.com>

TV manuals search

<http://tv.somanuals.com>