



Owner's Manual

SET-UP

OPERATION

MAINTENANCE



IMPORTANT: Read Safety Rules and Instructions Carefully

PRINTED IN U.S.A.

OG-4605

CALLING CUSTOMER SUPPORT

- **LOCATE YOUR MODEL NUMBER AND SERIAL NUMBER** which appears on your unit and record the information in the space provided below.

IMPORTANT: You must have these numbers, along with the date and proof of purchase to receive warranty or service.

- If you are having difficulty assembling this product or if you have any questions regarding the controls, operation or maintenance of this unit, please call an authorized dealer.
- Please have your model number and serial number ready when you call.

NOTE: Although both numbers are important, you will be asked to enter only your serial number before your call can be processed.

Model Number Numéro de modèle XXX-XXXXXX	Serial Number Numéro de série XXXXXXXXXXXX
TROY-BILT TROYBILT - CANADA KITCHENER, ON N2G 4J1	

— This is where your model number will be, record model number here:

— This is where your serial number will be, record serial number here:


TABLE OF CONTENTS

CALLING CUSTOMER SUPPORT	2
TABLE OF CONTENTS	2
IMPORTANT SAFE OPERATION PRACTICES	3
SLOPE GAUGE	6
UNPACKING	7
ASSEMBLY	7
CONTROLS	9
OPERATION	10
ADJUSTMENTS	12
LUBRICATION	12
MAINTENANCE	12
OFF SEASON STORAGE INSTRUCTIONS	14
TROUBLE SHOOTING	15
REPLACEMENT PARTS/PIÈCES DÉTACHÉES	16
WARRANTY	21

This unit has been inspected against the manufacturers quality check list. In case of a discrepancy, please call us. We will make every effort to ship the part(s) by courier within one working day of your call.

IMPORTANT SAFE OPERATION PRACTICES



WARNING: This symbol points out important safety instructions which, if not followed, could endanger the personal safety and/or property of yourself and others. Read and follow all instructions in this manual before attempting to operate this machine. Failure to comply with these instructions may result in personal injury. When you see this symbol—  heed its warning.



DANGER: This machine was built to be operated according to the rules for safe operation in this manual. As with any type of power equipment, carelessness or error on the part of the operator can result in serious injury. This machine is capable of amputating hands and feet and throwing objects. Failure to observe the following safety instructions could result in serious injury or death.

GENERAL OPERATION

- Read, understand, and follow all instructions on the machine and in the manual(s) before attempting to assemble and operate. Keep this manual in a safe place for future and regular reference and for ordering replacement parts.
- Be familiar with all controls and their proper operation. Know how to stop the machine and disengage them quickly.
- Never allow children under 14 years old to operate this machine. Children 14 years old and over should read and understand the operation instructions and safety rules in this manual and should be trained and supervised by a parent.
- Never allow adults to operate this machine without proper instruction.
- To help avoid blade contact or a thrown object injury, keep bystanders, helpers, children and pets at least 75 feet from the machine while it is in operation. Stop machine if anyone enters the area.
- Thoroughly inspect the area where the equipment is to be used. Remove all stones, sticks, wire, bones, toys and other foreign objects which could be tripped over or picked up and thrown by the blade. Thrown objects can cause serious personal injury.
- Plan your mowing pattern to avoid discharge of material toward roads, sidewalks, bystanders and the like. Also, avoid discharging material against a wall or obstruction which may cause discharged material to ricochet back toward the operator.
- Always wear safety glasses or safety goggles during operation and while performing an adjustment or repair to protect your eyes. Thrown objects which ricochet can cause serious injury to the eyes.
- Wear sturdy, rough-soled work shoes and close-fitting slacks and shirts. Shirts and pants that cover the arms and legs and steel-toed shoes are recommended. Never operate this machine in bare feet, sandals, slippery or light weight (e.g. canvas) shoes.
- Many injuries occur as a result of the mower being pulled over the foot during a fall caused by slipping or tripping. Do not hold on to the mower if you are falling; release the handle immediately.
- Never pull the mower back toward you while you are walking. If you must back the mower away from a wall or obstruction first look down and behind to avoid tripping and then follow these steps:
 - a) Step back from the mower to fully extend your arms.
 - b) Be sure you are well balanced with sure footing.
 - c) Pull the mower back slowly, no more than half way toward you.
 - d) Repeat these steps as needed.
- Do not operate the mower while under the influence of alcohol or drugs.
- Do not put hands or feet near rotating parts or under the cutting deck. Contact with the blade can amputate hands and feet.
- A missing or damaged discharge cover can cause blade contact or thrown object injuries.
- Do not engage the self-propelled mechanism on units so equipped while starting engine.
- Never attempt to make a wheel or cutting height adjustment while the engine is running.
- The blade control handle is a safety device. Never attempt to bypass its operation. Doing so makes the safety device inopera-

tive and may result in personal injury through contact with the rotating blade. The blade control handle must operate easily in both directions and automatically return to the disengaged position when released.

- Never operate the mower in wet grass. Always be sure of your footing. A slip and fall can cause serious personal injury. If you feel you are losing your footing, release the blade control handle immediately and the blade will stop rotating within three seconds.
- Mow only in daylight or in good artificial light. Walk, never run.
- Stop the blade when crossing gravel drives, walks or roads.
- If the equipment should start to vibrate abnormally, stop the engine and check immediately for the cause. Vibration is generally a warning of trouble.
- Shut the engine off and wait until the blade comes to a complete stop before removing the grass catcher or unclogging the chute. The cutting blade continues to rotate for a few seconds after the engine is shut off. Never place any part of the body in the blade area until you are sure the blade has stopped rotating.
- Never operate mower without proper trail shield, discharge cover, grass catcher, blade control handle or other safety protective devices in place and working. Never operate mower with damaged safety devices. Failure to do so, can result in personal injury.
- Muffler and engine become hot and can cause a burn. Do not touch.
- Only use parts and accessories made for this machine by the manufacturer. Failure to do so, can result in personal injury.
- If situations occur which are not covered in this manual, use care and good judgment. Contact your customer support department.

SLOPE OPERATION

Slopes are a major factor related to slip and fall accidents which can result in severe injury. Operation on slopes requires extra caution. If you feel uneasy on a slope, do not mow it. For your safety, use the slope gauge included as part of this manual to measure slopes before operating this unit on a sloped or hilly area. If the slope is greater than 15 degrees, do not mow it.

DO:

- Mow across the face of slopes; never up and down. Exercise extreme caution when changing direction on slopes. Watch for holes, ruts, bumps, rocks, or other hidden objects which can cause you to slip or trip. Tall grass can hide obstacles. Always be sure of your footing. A slip and fall can cause serious personal injury. If you feel you are losing your balance, release the blade control handle immediately, and the blade will stop rotating within 3 seconds.

DO NOT:

- Do not mow near drop-offs, ditches or embankments, you could lose your footing or balance.
- Do not mow slopes greater than 15 degrees as shown on the slope gauge.
- Do not mow on wet grass. Unstable footing could cause slipping.

CHILDREN

- Tragic accidents can occur if the operator is not alert to the presence of children. Children are often attracted to the mower and the mowing activity. They do not understand the dangers. Never assume that children will remain where you last saw them.
 - a) Keep children out of the mowing area and under the watchful care of a responsible adult other than the operator.
 - b) Be alert and turn mower off if a child enters the area.
 - c) Before and while moving backwards, look behind and down for small children.
 - d) Use extreme care when approaching blind corners, doorways, shrubs, trees, or other objects that may obscure your vision of a child who may run into the mower.
 - e) Keep children away from hot or running engines. They can suffer burns from a hot muffler.
- Never allow children under 14 years old to operate a power mower. Children 14 years old and over should read and understand the operation instructions and safety rules in this manual and should be trained and supervised by a parent.

SERVICE SAFE HANDLING OF GASOLINE:

- To avoid personal injury or property damage use extreme care in handling gasoline. Gasoline is extremely flammable and the vapors are explosive. Serious personal injury can occur when gasoline is spilled on yourself or

your clothes which can ignite. Wash your skin and change clothes immediately.

- a) Use only an approved gasoline container.
- b) Never fill containers inside a vehicle or on a truck or trailer bed with a plastic liner. Always place containers on the ground away from your vehicle before filling.
- c) When practical, remove gas-powered equipment from the truck or trailer and refuel it on the ground. If this is not possible, then refuel such equipment on a trailer with a portable container, rather than from a gasoline dispenser nozzle.
- d) Keep the nozzle in contact with the rim of the fuel tank or container opening at all times until fueling is complete. Do not use a nozzle lock-open device.
- e) Extinguish all cigarettes, cigars, pipes and other sources of ignition.
- f) Never fuel machine indoors.
- g) Never remove gas cap or add fuel while the engine is hot or running. Allow engine to cool at least two minutes before refueling.
- h) Never over fill fuel tank. Fill tank to no more than $\frac{1}{2}$ inch below bottom of filler neck to provide space for fuel expansion.
- i) Replace gasoline cap and tighten securely.
- j) If gasoline is spilled, wipe it off the engine and equipment. Move unit to another area. Wait 5 minutes before starting the engine.
- k) Never store the machine or fuel container inside where there is an open flame, spark or pilot light as on a water heater, space heater, furnace, clothes dryer or other gas appliances.
- l) To reduce fire hazard, keep machine free of grass, leaves, or other debris build-up. Clean up oil or fuel spillage and remove any fuel soaked debris.
- m) Allow machine to cool at least 5 minutes before storing.

GENERAL SERVICE:

- Never run an engine indoors or in a poorly ventilated area. Engine exhaust contains carbon monoxide, an odorless and deadly gas.
- Before cleaning, repairing, or inspecting, make certain the blade and all moving parts have stopped. Disconnect the spark plug wire and ground against the engine to prevent unintended starting.
- Check the blade and engine mounting bolts at frequent intervals for proper tightness. Also, visually inspect blade for damage (e.g., bent, cracked, worn) Replace blade with the original equipment manufacturer's (O.E.M.) blade only, listed in this manual. "Use of parts which do not meet the original equipment specifications may lead to improper performance and compromise safety!"
- Mower blades are sharp and can cut. Wrap the blade(s) or wear gloves, and use extra caution when servicing them.
- Keep all nuts, bolts, and screws tight to be sure the equipment is in safe working condition.
- Never tamper with safety devices. Check their proper operation regularly.
- After striking a foreign object, stop the engine, disconnect the spark plug wire and ground against the engine. Thoroughly inspect the mower for any damage. Repair the damage before starting and operating the mower.
- Grass catcher components, discharge cover, and trail shield are subject to wear and damage which could expose moving parts or allow objects to be thrown. For safety protection, frequently check components and replace immediately with original equipment manufacturer's (O.E.M.) parts only, listed in this manual. "Use of parts which do not meet the original equipment specifications may lead to improper performance and compromise safety!"
- Do not change the engine governor setting or overspeed the engine. The governor controls the maximum safe operating speed of the engine.
- Maintain or replace safety and instruction labels, as necessary.
- Observe proper disposal laws and regulations. Improper disposal of fluids and materials can harm the environment.

SI-102
7.23.03

OWNER'S
MANUAL



SAFETY LABEL



WARNING - Your Responsibility:

Restrict the use of this power machine to persons who read, understand and follow the warnings and instructions in this manual and on the machine.

SLOPE GAUGE

(Keep this sheet in a safe place for future reference.)

USE THIS SHEET AS A GUIDE TO DETERMINE SLOPES WHERE YOU MAY NOT OPERATE SAFELY.

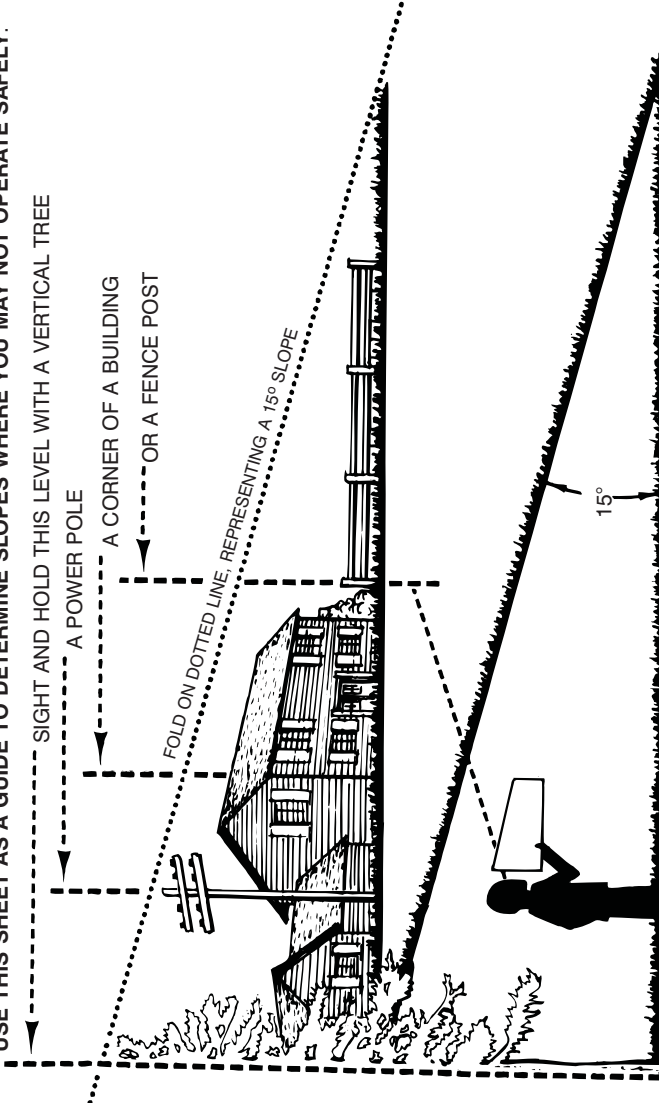
SIGHT AND HOLD THIS LEVEL WITH A VERTICAL TREE

A POWER POLE

A CORNER OF A BUILDING

OR A FENCE POST

FOLD ON DOTTED LINE, REPRESENTING A 15° SLOPE



⚠ DANGER

Do not mow on inclines with a slope in excess of 15 degrees (a rise of approximately 2½ feet every 10 feet). A riding mower could overturn and cause serious injury. If operating a walk-behind mower on such a slope, it is extremely difficult to maintain your footing and you could slip, resulting in serious injury.

Operate RIDING mowers up and down slopes, never across the face of slopes.

Operate WALK-BEHIND mowers across the face of slopes, never up and down slopes.

It is suggested that this manual be read in its entirety before attempting to assemble or operate. Keep this manual in a safe place for future reference and for ordering replacement parts.

This unit is shipped **WITHOUT GASOLINE or OIL**. After assembly, service engine with gasoline and oil as instructed in the separate engine manual packed with your unit.

NOTE: Reference to right or left hand side of the mower is observed from the operating position.

UNPACKING

REMOVING UNIT FROM CARTON

- Remove staples, break glue on top flaps, or cut tape at carton end and peel along top flap to open.
- Remove loose parts included with unit (i.e., operator's manual, oil, etc.).
- Cut corners and lay carton down flat. Remove packing material.
- Roll or slide unit out of carton. Check carton thoroughly for loose parts.

CAUTION: DO NOT BEND OR KINK CABLES.

TOOLS REQUIRED

Pair of Pliers Funnel

ASSEMBLY

CAUTION: DISCONNECT SPARK PLUG WIRE. IF THE WIRE IS NOT EQUIPPED WITH A RUBBER BOOT, SEE SEPARATE ENGINE MANUAL FOR GROUNDING PROCEDURE.

- Remove grass bag from the unit and set it out of the way. See Figure 1, step 1.
- Remove any packing material which may be between the upper and lower handles for shipping purposes.
- Raise the lower handle in the direction shown in Figure 1, step 2 till it snaps into place.
- Raise the upper handle in the direction shown in Figure 1, step 3. Tighten the wing nuts which are already on the handle. See Figure 2.
- Pull the drive control handle all the way back.
- While holding the drive control handle, hook the "Z" end of the drive cable into the bot-

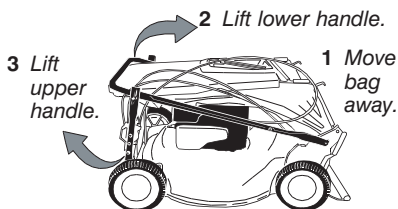


Figure 1

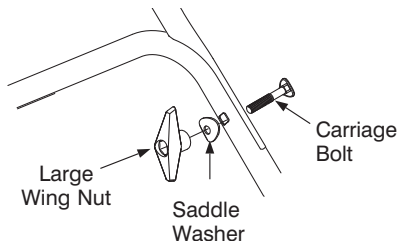


Figure 2

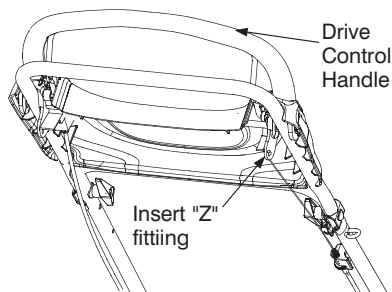
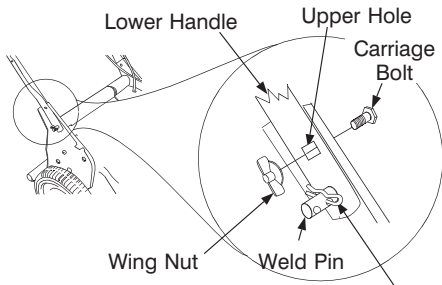


Figure 3

tom hole of the drive control handle from inside to outside. See Figure 3.

NOTE: Make certain the drive cable is routed around the outside and above the lower handle so it does not interfere with attaching the grass bag.

- Attach drive cable to the lower handle with one cable tie. Insert peg on cable tie into the hole on the lower handle. Pull cable tie tight and cut off the extra.
- For shipping purposes, the hairpin clip is placed in the outer hole of the weld pin on the lower handle. Remove the hairpin clip from the outer hole of the weld pin. See Figure 4.
- Using a pair of pliers, insert the hairpin clip into the inner hole on the weld pin. Repeat on other side.



Place the hairpin clips in the inner hole.

Figure 4

- Insert the carriage bolt, included in the hardware pack, in the upper hole on the handle mounting bracket (carriage bolt must go to the inside of handle). See Figure 4. Secure with one plastic wing nut, also included in the hardware pack. Repeat on the other side with remaining items from the hardware pack.

ATTACHING DRIVE ADJUSTER BLOCK

- The drive adjuster block is attached to the drive cable.
- Remove bolt attached to the lower right handle.
- Align the drive adjuster block, curved side against handle, with hole in handle.
- Secure drive adjuster block with bolt previously removed. See Figure 5.

ATTACHING STARTER ROPE

- The rope guide and wing nut are attached to the starter rope, on top of the engine. Remove the wing nut from rope guide. Remove the rope guide from the starter rope.
- With the spark plug wire disconnected and grounded as instructed in the separate engine manual, hold the blade control handle against the upper handle, and pull the starter rope out of the engine. Hold the rope guide as shown so the opening in the rope guide is toward the front of mower. Slip the rope guide around the starter rope and into the right side of lower handle using the hole shown. Secure using the small wing nut. See Figure 5.
- Make certain all nuts and bolts are tightened securely.

ASSEMBLY OF GRASS CATCHER

NOTE: If your mower's grass catcher is assembled, proceed to the next section. If not, follow these steps.

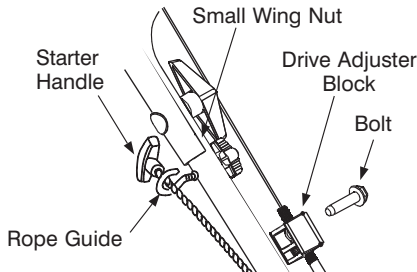


Figure 5

Soft Grass Bag

NOTE: Make certain the grass bag is turned right side out before assembling (warning label will be on the outside).

- Place bag over frame (black plastic side is the bottom of bag.) Insert the hooks on the frame through the holes in the side plastic channels of the bag. See Figure 6.
- Secure bag to frame by working the plastic channels on bag over frame as shown in Figure 6. All of the plastic channels except center top of bag attach from the outside of bag. Center top of bag attaches from the inside of bag.

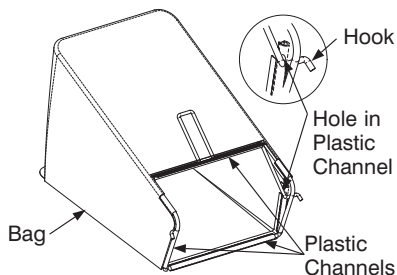


Figure 6

ATTACHING GRASS CATCHER TO MOWER

- Lift the rear discharge door on the mower, and place the grass catcher on the pivot rod. Let go of discharge door so that it rests on the grass catcher. See Figure 7.

NOTE: Make certain cables are routed to the outside of the handle so they are not in the way when attaching the grass catcher.

TO REMOVE THE GRASS CATCHER

- Lift the rear discharge door on the mower as shown in Figure 7. Lift the grass catcher up

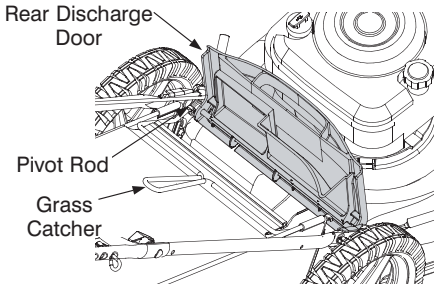


Figure 7

and off the pivot bar. Release the rear discharge door.

WARNING: Never operate the mower unless the hooks on the grass catcher are seated on the pivot rod, and the rear discharge door rests firmly against the top of the grass catcher.

CONVERTING TO SIDE DISCHARGE

If your unit is equipped with a side discharge deflector, you can convert to a side discharge mower as follows:

- Remove the grass catcher as previously described.
- On the side of the mower deck, lift the hinged mulching plug. See Figure 8.
- Slide the two hooks on the side discharge deflector under the hinge pin on the hinged mulching plug assembly.
- Lower the hinged mulching plug.

NOTE: Do not remove the hinged mulching plug at any time, even when you are not mulching.

WARNING: All mowers are equipped with a rear protective guard. The guard helps eliminate projectiles thrown by the blade from injuring the operator. **DO NOT REMOVE THIS GUARD.**

Hinged Mulching Plug

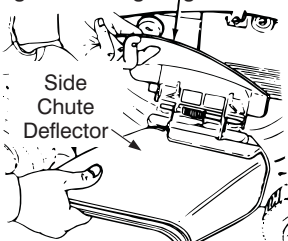


Figure 8

CONVERTING TO MULCHER

- Remove the grasscatcher.
- If the unit was set up for side discharge, lift the hinged mulching plug on the side of the deck and remove the side discharge chute. Lower the hinged mulch plug. See Figure 8.

CAUTION: Do not run your lawn mower without chute deflector, mulching plug or an approved grass catcher in place. The deflector will deflect a projectile thrown by the blade into the lawn.

FINAL ASSEMBLY

- Check all nuts and bolts for correct tightness.

CONTROLS

Read this owner's manual and safety rules before operating your lawn mower. Compare Figure 9 with your lawn mower to familiarize yourself with the location of various controls and adjustments. Save this manual for future reference.

WARNING: The operation of any lawn mower can result in foreign objects being thrown into the operator's eyes thus causing severe eye damage. Always wear safety glasses while operating the mower, or while performing any adjustments or repairs on it.

Drive Control Handle

This mower is equipped with Smart Speed™ transmission which enables the drive control handle to adjust the mowing speed automatically with your walking. The drive control handle is located on the upper handle. Push the handle forward to engage drive, pull it backwards to stop. The farther the handle is pushed forward, the faster the mower will propel.

Blade Control Handle

The blade control handle is located on the upper handle of the mower. See Figure 9. The blade control handle must be depressed in order to operate the unit. Release the blade control handle to stop the engine and blade.

WARNING: The blade control handle is a safety device. Never attempt to bypass its operations.

Starter Rope

The starter rope is attached to the handle. Stand behind the unit and pull the starter rope to start the unit.

Throttle Control

The engine is equipped with a constant speed throttle which is set at full throttle for maximum engine and cutting performance.

Cutting Height Adjustment Lever

These levers are located on each wheel and they are used to adjust the cutting height. All four levers have to be at the same relative position to ensure uniform cut.

OPERATION

Service the engine with gasoline and oil as instructed in the separate engine manual packed with your mower. Read instructions carefully.

! WARNING: Never fill fuel tank indoors, with engine running or until the engine has been allowed to cool for at least two minutes after running.

BEFORE STARTING

- Attach spark plug wire to spark plug. If unit is equipped with a rubber boot over the end of the spark plug wire, make certain the metal loop on the end of the spark plug wire (inside the rubber boot) is fastened securely over the metal tip on the spark plug. See Figure 10.

TO START ENGINE AND ENGAGE BLADE

! WARNING: Be sure no one other than the operator is standing near the lawn mower while starting engine or operating mower.

! WARNING: Never run engine indoors or in enclosed, poorly ventilated areas. Engine exhaust contains carbon monoxide, an odorless and deadly gas.

! WARNING: Keep hands, feet, hair and loose clothing away from any moving parts on engine and lawn mower.

- If your unit is equipped with a primer, prime engine as instructed in the separate engine manual packed with your unit.

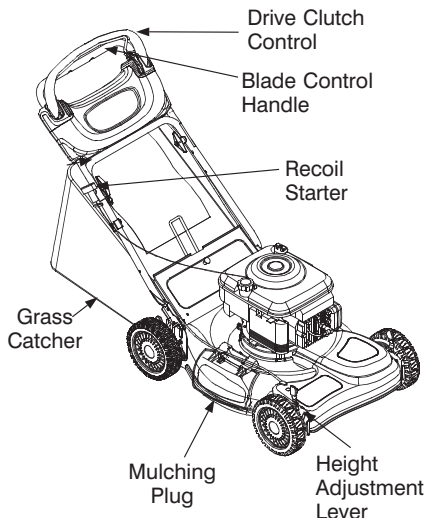


Figure 9 - The left rear wheel has been left out of the picture for clarity

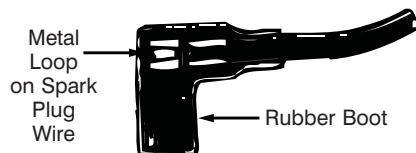


Figure 10

- If your unit is equipped with a two speed control on engine refer to separate engine manual packed with your unit.
- Standing behind the mower, depress the blade control handle and hold it against the drive control handle. Make sure the drive control handle is pulled all the way back.
! WARNING: If the drive control handle is not pulled all the way back, the mower will propel forward when started.
- Grasp the recoil starter handle and pull slowly until resistance is felt, then pull rapidly to start engine and avoid kickback. Return it slowly to the rope guide bolt.
- After the engine starts, push the handle forward to engage drive, pull it backwards to stop. Release the drive clutch control to slow down when negotiating an obstacle, making a turn, or stopping. The farther the handle is pushed forward, the faster the mower will propel.

NOTE: *The blade control handle must be depressed in order to operate the unit. Release the blade control handle to stop the engine and blade.*

TO STOP ENGINE

- Release the blade control handle to stop the engine and blade.
- Disconnect the spark plug wire as instructed in the separate engine manual to prevent accidental starting while equipment is unattended.



WARNING: The blade continues to rotate for a few seconds after the engine is shut off.



WARNING: If you strike a foreign object, stop the engine. Remove wire from spark plug, thoroughly inspect the mower for any damage, and repair the damage before restarting and operating the mower. Extensive vibration of the mower during operation is an indication of damage. The unit should be promptly inspected and repaired.

USING YOUR MULCHER (Optional)

Mulching mowers use a specially designed blade to chop the grass clippings extra fine and then blow them back down into the lawn. The small clippings decompose quickly becoming a natural fertilizer that returns much of the needed nutrients to the soil. Continuous mulching means continuous free natural fertilization, no messy clippings to worry about ever again and the end result for you is a much greener healthier lawn.



WARNING: Your mower is designed to cut normal residential grass of a height no more than 10". Do not attempt to mow through unusually tall, dry grass (e.g., pasture) or piles of dry leaves. Debris may build up on the mower deck or contact the engine exhaust presenting a potential fire hazard.

FOR THE BEST RESULTS WHEN MULCHING:

- **Clear lawn of debris.** Be sure that the lawn is clear of stones, sticks, wire or other foreign objects which could damage the lawnmower. Such objects could be accidentally thrown out by the mower in any direction and cause serious personal injury to the operator and others as well as damage to property and surrounding objects.
- **Do not cut wet grass.** For effective mulching do not cut wet grass because it tends to

stick to the underside of the deck preventing proper mulching of the grass clippings.

- **Cut no more than 1/3 the length of the grass.** The recommended cut for mulching is 1/3 the length of the grass. Ground speed will need to be adjusted so the clippings can be dispersed evenly into the lawn. For especially heavy cutting in thick grass it may be necessary to use one of the slowest speeds in order to get a clean well mulched cut. When mulching long grass you may have to cut the lawn in two passes, lowering the blade another 1/3 of the length for the second cut and perhaps cutting in a different pattern than was used the first time. Overlapping the cut a little on each pass will also help to clean up any stray clippings left on the lawn. The mower should always be operated at full throttle to get the best cut and allow it to do the most effective job of mulching.
- **Clean underside of deck.** Be certain to clean the underside of the cutting deck after each use to avoid a build-up of grass, which would prevent proper mulching.
- **Mulching Leaves.** The mulching of leaves can also be beneficial to your lawn. When mulching leaves make sure they are dry and are not laying too thick on the lawn. Do not wait for all the leaves to be off the trees before you mulch.
- It is recommended keeping driveways and sidewalks on the operators right while moving. Continue mowing using this pattern, having the left side of your lawnmower next to the uncut grass. Mulching with the cutting area of the mower on the lawn avoids grass clippings in undesirable areas.

DECK

The underside of the mower deck should be cleaned after each use to prevent a buildup of grass clippings, leaves, dirt or other matter. If this debris is allowed to accumulate, it will invite rust and corrosion, and may prevent proper mulching.

The deck may be cleaned by tilting the mower and scraping clean with a suitable tool (make certain the spark plug wire is disconnected).

NOTE: *We do not recommend the use of pressure washers or garden hose to clean your unit. These may cause damage to electric components, spindles, pulleys, bearings, or the engine. The use of water will result in shortened life and reduce serviceability.*

ADJUSTMENTS

CAUTION: DO NOT AT ANY TIME MAKE ANY ADJUSTMENT TO LAWNMOWER WITHOUT FIRST STOPPING THE ENGINE AND DISCONNECTING THE SPARK PLUG WIRE

Adjusting Cutting Height

- Stop mower and disconnect spark plug cable before changing mower cutting height.
- The wheel adjusters give you nine (9) different cutting positions. Medium is the best for most mowers.
- To change the height of cut, squeeze adjuster lever toward the wheel, moving up or down to selected height. See Figure 11.



Figure 11

NOTE: All wheels must be in the same height of cut.

- When cutting in heavy or moist grass, the rear of lawnmower may be raised higher to allow better discharge of the grass.

Adjusting Drive Clutch

The drive clutch adjustment wheel is located on the lower right handle and is used to tighten or loosen tension on the drive cable. Adjust this cable if:

- a) the mower does not propel itself; or
 - b) the wheels hesitate with the drive control handle pushed forward.
- To adjust, rotate the adjustment wheel with your fingers, see Figure 12. Turn the wheel to the left to tighten the drive cable. Turn the wheel to the right to loosen the drive cable.

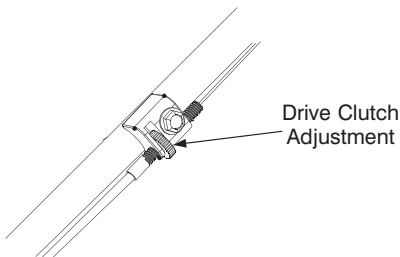


Figure 12

LUBRICATION

CAUTION: DISCONNECT SPARK PLUG WIRE BEFORE SERVICING

WHEELS - Lubricate the ball bearings (if so equipped) in each wheel at least once a season with a light oil. Also, if the wheels are removed for any reason, lubricate the surface of the axle bolt and the inner surface of the wheel with light oil. Engine oil may also be used.

ENGINE - Follow engine manual for lubrication instructions.

BLADE CONTROL - Lubricate the pivot points on the blade control handle and the brake cable at least once a season with light oil. The blade control must operate freely in both directions.

DISCHARGE DOORS - The torsion springs and pivot points should be lubricated periodically with light oil to prevent any rust or binding. Door must work freely.

TRANSMISSION - The transmission is pre-lubricated and sealed at the factory and does not require lubrication on a regular basis as part of maintenance.

MAINTENANCE

For best results your blade should be sharp. The blade may be resharpened by removing it and either grinding or filing the cutting edge keeping as close to the original bevel as possible.

Improper blade balance will result in excessive vibration causing eventual damage to the engine and mower. Be sure to carefully balance blade after sharpening.

After prolonged use, especially in sandy soil conditions, the blade will become worn and lose some of the original shape. Cutting efficiency will be reduced and the blade should be replaced. Replace with an approved factory replacement blade only. Possible damage resulting from blade unbalance condition is not the responsibility of the manufacturer.

NOTE: Tip mower as specified in separate engine manual. If not specified tip with carburetor up.

CUTTING BLADE

CAUTION: Cutting grass in sandy soil condition causes abrasive wear to the blade.



WARNING: When removing the cutting blade for sharpening or replacement, protect hands by using heavy gloves or a rag to grasp the cutting blade.

- Remove the bolt which hold the blade adapter-pulley assembly to the engine crankshaft. Remove the pulley assembly and the bell support from the crankshaft. See Figure 13.
- Remove the blade from the blade adaptor and pulley.

Installing the blade

- Before reassembling the blade-pulley assembly to the unit, lubricate the engine crankshaft and the inner surface of the blade adapter with light oil (or engine oil).
- Lubricating the bolt hole and hex bolt.
- Insert the hex bolt, earlier removed, through the center holes on the blade bell support and the blade adapter-pulley assembly respectively.
- Install the blade assembly up on the crankshaft. Tighten the hex bolt to the torque listed below.

IMPORTANT: The bolt, used to secure the blade to the engine, is especially heat-treated. **Do not substitute.** To order replacement bolt, refer to the parts listed in the middle of this manual.

Blade Mounting Torque

Center Bolt: 450 in. lbs. min., 600 in. lbs. max.

To ensure safe operation of your unit, **all** nuts and bolts must be checked periodically for correct tightness.

ENGINE

Refer to the separate engine manual for engine maintenance instructions.

Maintain **engine oil** as instructed in the separate engine manual packed with your unit. Read and follow instructions carefully.

Under normal conditions service **air cleaner** as instructed in the separate engine manual packed with your unit. Clean every few hours under extremely dusty conditions. Poor engine performance and flooding usually indicates that the air cleaner should be serviced.

The **spark plug** should be cleaned and the gap reset once a season. Spark plug replacement is recommended at the start of each

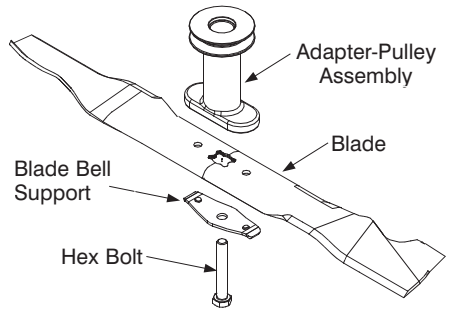


Figure 13

mowing season; check engine manual for correct plug type and gap specifications.

NOTE: *This spark ignition system meets all requirements of the Canadian Interference-Causing Equipment Regulations.*

Clean the engine regularly with a cloth or brush. Keep the cooling system (blower housing area) clean to permit proper air circulation which is essential to engine performance and life. Be certain to remove all grass, dirt and combustible debris from muffler area.

REAR FLAP REPLACEMENT

The rear flap is attached to the back of the mower deck, and is designed to minimize the possibility that objects will be thrown from the rear of the mower toward the operator. If the rear flap becomes damaged, replace as follows.

To remove the old rear flap, cut off the flat end of the wire rod which secures it to the deck using a pair of side-cutters. Attach the new rear flap using the new rod provided with the rear flap, bending the ends of the rod over to secure.

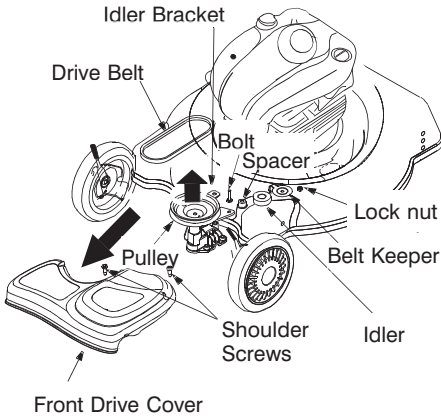


Figure 15

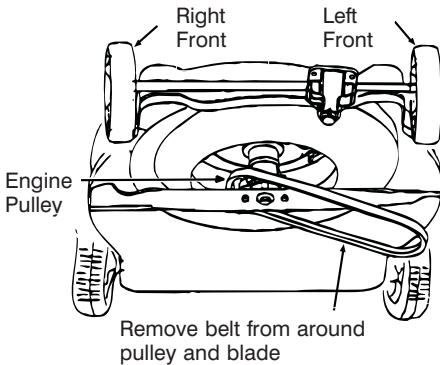


Figure 15

BELT REMOVAL AND REPLACEMENT

- Remove the two shoulder screws from on top of the deck which secures the front drive cover to the mower deck. See Figure 14.
- Remove the front drive cover from the unit by lightly pressing inward on the sides of the front drive cover. This will release the tabs that secure the front drive cover to the height adjuster brackets. See Figure 14.

- Remove the idler from idler bracket using 7/16" wrench and socket. See Figure 14.
- Remove the belt from the transmission. See Figure 1.
- Remove the belt from the engine pulley and around the blade. See Figure 15.
- Reassemble in reverse order with new belt.

NOTE: Begin idler reassembly by inserting bolt up through the idler bracket hole.

- Adjust the Drive Clutch as instructed in "Adjusting Drive Clutch" Section.

OFF SEASON STORAGE INSTRUCTIONS

The following steps should be taken to prepare lawn mower for storage.

- Clean and lubricate mower thoroughly as described in the lubrication instructions.
- Refer to engine manual for correct engine storage instructions.
- Coat mower's cutting blade with chassis grease to prevent rusting.
- Store mower in a dry, clean area.

NOTE: When storing any type of power equipment in an unventilated or metal storage shed, care should be taken to rust-proof the equipment. Using a light oil or silicone, coat the equipment, especially cables and all moving parts.

NOTE: Be careful not to bend or kink cables.

NOTE: If the starter rope becomes disconnected from rope guide on handle, disconnect and ground the spark plug wire. Depress the blade control handle and pull the starter rope out from engine slowly. Slip the starter rope into the rope guide bolt on handle.

TROUBLE SHOOTING

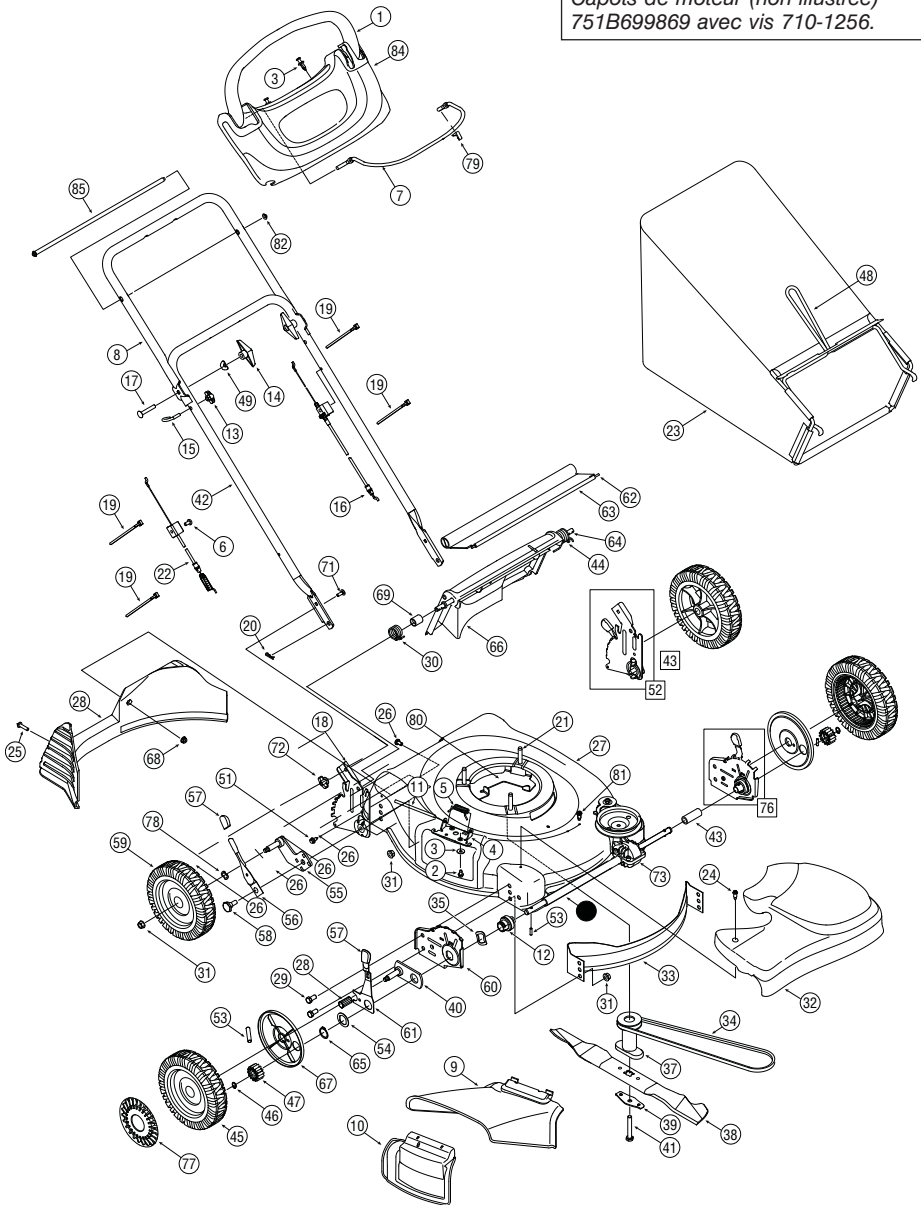
PROBLEM	POSSIBLE CAUSE(S)	CORRECTIVE ACTION
Engine fails to start	<ol style="list-style-type: none"> 1. Blade control handle disengaged. 2. Spark plug wire disconnected. 3. Fuel tank empty, or stale fuel. 4. Blocked fuel line. 5. Faulty spark plug. 6. Engine flooded. 	<ol style="list-style-type: none"> 1. Engage blade control handle. 2. Connect spark plug wire. 3. Fill tank with clean, fresh gasoline. 4. Clean the fuel line. 5. Clean, adjust gap or replace. 6. Wait a few minutes to restart, but do not prime.
Engine runs erratic	<ol style="list-style-type: none"> 1. Spark plug wire loose. 2. Blocked fuel line or stale fuel. 3. Vent in gas plugged. 4. Water or dirt in fuel system. 5. Dirty air cleaner. 6. Carburetor out of adjustment. 	<ol style="list-style-type: none"> 1. Connect and tighten spark plug wire. 2. Clean the fuel line; fill the tank with clean, fresh gasoline. 3. Clear vent. 4. Drain the fuel tank and carburetor. Refill with fresh fuel. 5. Clean air cleaner. 6. Adjust carburetor.
Engine overheats	<ol style="list-style-type: none"> 1. Engine oil level low. 2. Air flow restricted. 3. Carburetor not adjusted properly. 	<ol style="list-style-type: none"> 1. Fill crankcase with proper oil. 2. Remove blower housing and clean. 3. Adjust carburetor.
Idles poorly	<ol style="list-style-type: none"> 1. Spark plug fouled, faulty or gap too wide. 2. Carburetor improperly adjusted. 3. Dirty air cleaner. 	<ol style="list-style-type: none"> 1. Reset gap to .030" or replace spark plug. 2. Adjust carburetor. 3. Clean air cleaner.
Excessive vibration	<ol style="list-style-type: none"> 1. Cutting blade loose or unbalanced. 2. Bent cutting blade. 	<ol style="list-style-type: none"> 1. Tighten blade and adapter. Balance blade. 2. Replace blade.
Mower will not mulch grass	<ol style="list-style-type: none"> 1. Wet grass. 2. Excessively high grass. 3. Dull blade. 	<ol style="list-style-type: none"> 1. Do not mow when grass is wet; wait until later to cut. 2. Mow once at a high cutting height, then mow again at desired height or make a narrower cutting path. 3. Sharpen or replace blade.
Uneven cut	<ol style="list-style-type: none"> 1. Wheels not positioned correctly. 2. Dull blade. 	<ol style="list-style-type: none"> 1. Place all four wheels in same height position. 2. Sharpen or replace blade.
Wheels will not propel	<ol style="list-style-type: none"> 1. Belt not installed properly. 2. Debris clogging drive operation. 	<ol style="list-style-type: none"> 1. Check belt for proper pulley installation and movement. 2. Clean out debris.

NOTE: For repairs beyond the minor adjustments listed above, contract your nearest authorized service dealer.

REPLACEMENT PARTS/PIÈCES DÉTACHÉES

Engine Shroud (not shown)
751B699869 with screw 710-1256/

Capots de moteur (non illustrée)
751B699869 avec vis 710-1256.



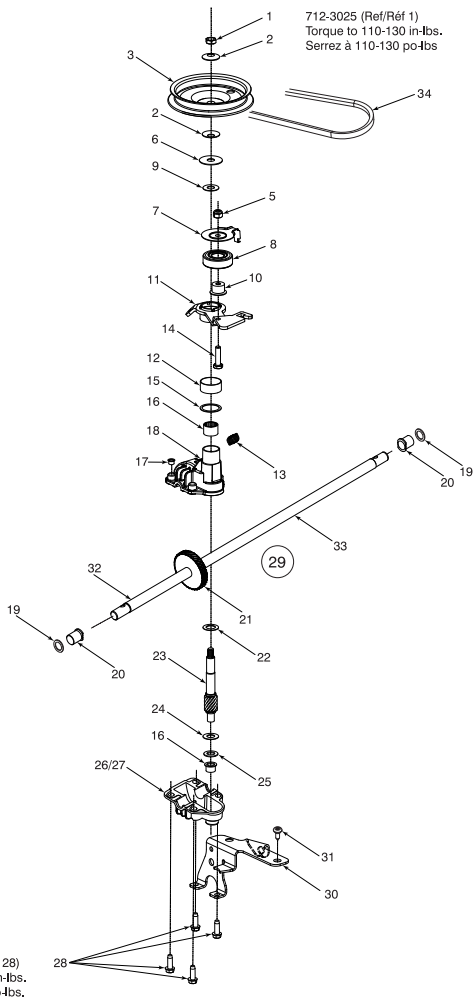
REF NO. N° DE RÉF	PART NO. N° DE PIÈCE	DESCRIPTION	DESCRIPTION
1	731-2647	Drive Control Handle	Poignée de commande d'embrayage de l'entraînement
2	710-0599	Hex Wash S-Tapp Scr 1/4-20 x .50	Vis autotaraudeuse à rondelle hex. 1/4-20 x 0,50
3	736-0270	Cupped Washer .265 ID x .75 OD x .062	Rondelle creuse 0,265 DI x 0,75 DE x 0,062
4	17032A	Chute Hinge	Charnière de déflecteur
5	732-1014	Torsion Spring	Ressort de torsion
6	710-0809	Hex TT Scr 1/4-20 X 1.250	Vis autotaraudée 1/4-20 X 1,250
7	747-2133A	Blade Control Handle	Poignée de commande de la lame
8	749-1507	Upper Handle	Guidon supérieur
9	731-04177	Chute Deflector	Déflecteur de la goulotte
10	687-02055	Complete Mulch Plug	Plaque de déchiquetage complet
11	747-0710	Hinge Pin	Axe de charnière
12	682-0015	Front Bearing Ass'y	Roulement - avant
13	720-0279	Knob - ERS Guide 1/4-20	Bouton - 1/4-20
14	720-0284	Handle Knob Assembly	Bouton
15	710-1205	Rope Guide Bolt	Boulon de guidage de cordon
16	746-1114	Blade Control Cable	Câble de commande de la lame
16	746-1141	Control Cable 58.25" Lg.	Câble de la commande 58,25 po de lg.
17	710-0487	Carriage Bolt 5/16-18 x 2.0	Boulon ordinaire 5/16-18 x 2,0
18	787-01144A	RH Handle Bracket	Support de guidon CD
18	787-01143A	LH Handle Bracket	Support de guidon CG
19	726-0240	Cable Tie	Attache câble
20	714-0104	Int. Cotter Pin .072 x 1.13" Lg.	Goupille fendue int. 0,072 x 1,13 po de lg.
21	710-0654A	Hex Wash HD Tap Scr 3/8-16 x .88	Vis autotaraudée 3/8-16 x 0,88
22	746-1250	Drive Cable	Câble de la commande
23	664-04007	Grass Bag	Sac à herbe
23	664-04011	Grass Bag (Troy-Bilt)	Sac à herbe (Troy-Bilt)
24	710-1650	Self-tapping Scr., 5/16-18 x .875	Vis autotaraudeuse de 5/16-18 x 0,875 po
25	710-0286	Truss Mach Scr 1/4-20 x .50	Vis de renforcement à tête cintrée 1/4-20 x 0,50
26	710-04371	Hex Lock Screw 1/4-15	Vis à tête hex. 1/4-15
27	787-01278	21" Deck	Plateau de coupe de 21 po
28	731-04150	Rear Baffle 21" Rear Discharge	Déflecteur arrière 21 po éjection arrière
29	710-0216	Hex Cap Screw 3/8-16 x .75	Vis à chapeau à six pans de 3/8-16 x 0,75
30	732-04090A	Torsion Spring RH	Ressort de torsion CD
31	712-0431	Hex. Flanged L-Nut 3/8-16 Gr. F	Contre-écrou à embase 3/8-16 Qual. F
32	731-05013	Transmission Cover (Black)	Couvercle de la transmission (noir)
32	731-05020	Transmission Cover (Troy-Bilt)	Couvercle de la transmission (Troy-Bilt)
33	782-5002B	Front Baffle	Déflecteur avant
34	754-0465	V-Belt	Courroie trapézoïdale
35	736-0447	Wave Washer	Rondelle ondulée
36	750-01165	Sleeve Spacer 10.1" Lg.	Entretoise 10,10 po de lg.
37	748-04015A	Blade Adapter w/Pulley	Adaptateur de la lame avec poulie
38	742-0741	21" Mulching Blade	Lame déchiquetage 21 po
39	736-0524B	Blade Bell Support	Support de la lame
40	687-02044	Height Adjuster Pivot Plate Ass'y	Plaque de pivot - réglage de hauteur
41	710-1257	Hex Bolt 3/8-24 x 2.5" Lg.	Boulon hex. 3/8-24 x 2,50 po de lg.
42	749-0907B	Lower Handle	Guidon inférieur
43	750-1166	Sleeve Spacer 2.1" Lg.	Entretoise 2,10 po de lg.
44	732-04089A	Torsion Spring LH	Ressort de torsion CG
45	634-0190	Wheel Ass'y Complete 8 x 1.8	Ensemble de roue complet 8 x 1,80
45	734-04018A	Wheel Ass'y 8 x 2.125, Gear S-Wave	Ensemble de roue 8 x 2,125, pignon
46	716-0865	Snap Ring	Joint
47	717-1762	Spur Gear 14T RH	Engrenage 14 dents droite
47	717-1761	Spur Gear 14T LH	Engrenage 14 dents gauche
48	747-04080	Grass Bag Frame	Bâti de sac à herbe

Continued on next page/Suite à la page prochaine

REF NO. N° DE RÉF	PART NO. N° DE PIÈCE	DESCRIPTION	DESCRIPTION
49	736-0451	Saddle Wash. .320 ID x .937 OD	Rondelle selle 0,320 DI x 0,937 DE
50	710-0606	Hex Scr 1/4-20 x 1.50	Vis à tête hexagonale 1/4-20 x 1,50
51	710-1652	Hex Wash Hd TT Scr. 1/4-20 x .625	Vis taraudée 1/4-20 x 0,625
52	687-02068	RH Handle Bracket Assembly	Ensemble de support du guidon CD
52	687-02069	LH Handle Bracket Assembly	Ensemble de support du guidon CG
53	715-0221	Pin	Goupille
54	736-0474	Flat Washer 1.5 OD x .03	Rondelle plate 1,50 DE x 0,03
55	687-02071	Pivot Arm Assembly - RH	Ensemble de bras de pivot - CD
55	687-02070	Pivot Arm Assembly - LH	Ensemble de bras de pivot - CG
56	732-04175	Rear Spring Lever	Levier de ressort arrière
57	720-0426	Height Adjuster Knob	Bouton
58	738-0507B	Shoulder Screw .50 Dia.	Vis à épaulement 0,50 dia.
59	734-1987	Wheel Ass'y 8 x 1.8 Spoke Bar Grey	Ensemble de roue 8 x 1,80 gris
59	734-04033	Wheel Ass'y 8 x 2 Idle S-Wave, Ball Brg.	Ensemble de roue 8,0 x 2,0 roulement à billes
60	782-0512A	Height Adjuster Plate - RH	Plaque de réglage de hauteur - CD
60	782-0511A	Height Adjuster Plate - LH	Plaque de réglage de hauteur - CG
61	732-0706	Spring Lever Front RH	Levier de ressort avant - CD
61	732-0707	Spring Lever Front LH	Levier de ressort avant - CG
62	732-0700	Wire	Fil
63	731-04998	Trail Shield	Abattant de protection arrière
64	747-04035	Pivot Rod	Tige de pivot
65	716-0102	Snap Ring for 1.0" shaft	Jonc d'arrêt pour arbre 1,0 PO
66	731-04134A	Rear Discharge Door	Porte d'éjection arrière
67	782-7551A	Wheel Dust Cap	Chapeau de moyeu
68	712-04064	Hex L-FlangeNut 1/4-20 Gr. F, Nylon	Contre-écrou à embase 1/4-20 Qual. F, nylon
69	750-04162	Spacer .375 x .50 x 1.02" Lg.	Entretoise 0,375 x 0,50 x 1,02 po de lg.
70	715-04011	Roll Pin	Goupille
71	710-0703	Carriage Bolt 1/4-10 x .75	Boulon ordinaire 1/4-20 x 0,75
72	712-0397	Wing Nut	Écrou à oreilles
73	618-04006	Transmission Assembly	Ensemble de la transmission
74	732-1043	Belt Tension Spring	Ressort de tension de la courroie
75	756-04017	Input Pulley	Poulie
76	682-0512A	RH Height Adjustment Assembly	Ensemble de réglage de hauteur - CD
76	682-0511A	LH Height Adjustment Assembly	Ensemble de réglage de hauteur - CG
77	731-0981A	Hub Cap Grey Radial	Moyeu de chapeau - gris
78	736-0504	Wave Washer .51" ID	Rondelle ondulée 0,51 DI
79	731-2646	Bail Stop	Arrêt de la poignée de commande
80	782-9063	Engine Belt Keeper Bracket	Support de la courroie
81	738-1002	Shoulder Scr. .375 x .25 AT 1/4-14	Vis à épaulement
82	726-0106	Speed Cap Nut	Écrou rapide
83	728-0199	Rivet	Rivet
84	731-2628A	Handle Panel	Panneau
85	747-2132A	Control Rod	Tige de commande

12AD466
12.16.04

Model/Modèle	Shroud/Capot	Hardware/Quincaillerie
12A-463E500	751A1432613	7510042823
12A-465D515	751A1433513	7510042823
12AD466A563	751B699869	710-1256
12A-558O552	751B281440	710-1256
12AD565C501	731-04525	7510042823
12AD569R565	751B281440	710-1256



712-3025 (Ref/Réf 1)
 Torque to 110-130 in-lbs.
 Serrez à 110-130 po-lbs

710-1276 (Ref/Réf 28)
 Torque to 90-120 in-lbs.
 Serrez à 90-120 po-lbs.

REF NO. N° DE RÉF	PART NO. N° DE PIÈCE	DESCRIPTION	DESCRIPTION
1	712-3025	Hex Jam Nut 5/16-24	Écrou blocage à six pans 5/16-24
2	736-0425	Cupp. Wash. .325 ID x .930 OD x .04	Rondelle creuse 0,325 DI x 0,930 DE x 0,04
3	656-0047	Pulley	Poulie
5	712-0896	Hex Ins Jam L-Nut 1/4-28	Contre-écrou de blocage 1/4-28
6	736-0406	Flat Washer .79 ID x 1.25 OD	Rondelle plate 0,79 DI x 1,25 DE
7	782-7598	Belt Keeper	Goupille
8	741-0124	Ball Bearing	Roulement à billes
9	721-0457	Oil Seal	Joint d'huile
10	750-1050	Flange Spacer	Entretoise
11	682-0029	Idler Bracket Assembly	Support de tendeur
12	741-0682A	Sleeve Bearing	Roulement
13	732-04001	Extension Spring .420 x 1.50	Ressort d'extension 0,420 x 1,50
14	710-0299	Hex Bolt 1/4-28 x 1" Lg	Vis hex 1/4-28 x 1,0 po de lg
15	736-0570	Flat Washer .885 x 1.145 x .030	Rondelle plate 0,885 x 1,145 x 0,030
16	741-0699	Needle Bearing .438 x .625 x .500	Roulement à aiguilles 0,438 x 0,625 x 0,500
17	721-0329	Oil Seal	Joint
18	618-0300A	Upper Housing Ass'y (Incl. #16)	Carter de la logement supérieur (Comp. no. 16)
19	721-0329	Oil Seal	Joint
20	741-0673	Flange Bearing	Roulement à bride
21	611-0105A	Output Shaft	Arbre de sortie
22	736-0250	Flat Washer	Rondelle plate
23	717-1492	Pinion Shaft 10T	Arbre à pignon - 10 dents
24	736-0314	Thrust Washer .382 ID x .70 OD	Rondelle de butée 0,382 DI x 0,70 DE
25	736-0569	Thrust Washer .388 x .625 x .062	Rondelle 0,388 x 0,625 x 0,062
26	618-0299A	Lower Housing Ass'y (Incl. #27)	Carter de la logement (Comprend no. 27)
27	741-0672	Flange Bearing .378 x .531 x .370	Roulement 0,378 x 0,531 x 0,370
28	710-1276	Hex Wash. Scr. 1/4-20 x .75	Vis 1/4-20 x 0,75
29	618-04006	Transmission Ass'y Complete	Transmissieu complet
30	732-0708	Bearing Retainer	Retenue de roulement
31	741-0604A	Bearing Sleeve .50 ID	Manchon de roulement 0,50 DI
32	748-0355	Bearing Support	Support du roulement
33	736-0447	Wave Washer	Rondelle ondulée
34	782-0512B	Height Adj. Plate RH	Plaque de réglage de hauteur CD
35	782-0511A	Height Adj. Plate LH	Plaque de réglage de hauteur CG
36	687-02044	Height Adj. Pivot Plate Ass'y	Plaque du pivot - réglage de hauteur
37	732-0706	Spring Lever RH	Levier de ressort CD
38	732-0707	Spring Lever LH	Levier de ressort CG
39	720-0426	Knob	Bouton

618-04006
12.13.04

TWO YEAR LIMITED WARRANTY

For TWO YEARS from the date of retail purchase within Canada, MTD PRODUCTS LIMITED will, at its option, repair or replace, for the original purchaser, free of charge, any part or parts found to be defective in material or workmanship.

This warranty does not cover:

1. Any part which has become inoperative due to misuse, commercial use, abuse, neglect, accident, improper maintenance or alteration; or
2. The unit if it has not been operated and/or maintained in accordance with the owner's instructions furnished with the unit; or
3. The engine or motor or component parts thereof which carry separate warranties from their manufacturers. Please refer to the applicable manufacturer's warranty on these items; or
4. Batteries and normal wear parts except as noted below. Log splitter pumps, valves and cylinders or component parts thereof are covered by a one year warranty; or
5. Routine maintenance items such as lubricants, filters, blade sharpening and tune-ups, or adjustments such as brake, clutch or deck; or
6. Normal deterioration of the exterior finish due to use or exposure.

Full Ninety Day Warranty on Battery: For ninety (90) days from the date of retail purchase, if any battery included with this unit proves defective in material or workmanship and our testing determines the battery will not hold a charge, MTD PRODUCTS LIMITED will replace the battery at no charge to the original purchaser.

Additional Limited Thirty Day Warranty on Battery: After ninety (90) days but within one hundred twenty (120) days from the date of purchase, MTD PRODUCTS LIMITED will replace the defective battery, for the original purchaser, for a cost of one-half (1/2) of the current retail price of the battery in effect at the date of return.

Full Sixty Day Warranty on Normal Wear Parts: Normal wear parts are defined as belts, blade adapters, blades, grass bags, seats, tires, rider deck wheels and clutch parts (friction wheels). These parts are warranted to the original purchaser to be free from defects in material and workmanship for a period of sixty (60) days from the date of retail purchase.

How to Obtain Service: Warranty service is available, with proof of purchase, through your local authorized service dealer or distributor. If you do not know the dealer or distributor in your area, please call, toll free 1-800-668-1238. The return of a complete unit will not be accepted by the factory unless prior written permission has been extended by MTD PRODUCTS LIMITED.

Transportation Charges: Transportation charges for the movement of any power equipment unit or attachment are the responsibility of the purchaser. Transportation charges for any part submitted for replacement under this warranty must be paid by the purchaser unless such return is requested in writing by MTD PRODUCTS LIMITED.

Other Warranties: All other warranties, express or implied, including any implied warranty of merchantability is limited in its duration to that set forth in this express limited warranty. The provisions as set forth in this warranty provide the sole and exclusive remedy of MTD PRODUCTS LIMITED obligations arising from the sale of its products.

MTD PRODUCTS LIMITED will not be liable for incidental or consequential loss or damage.

notes . . .

MTD PRODUCTS LIMITED ne peut être tenue responsable pour toute perte ou tout dommage accidentel ou indirect.

Autres garanties: Toutes les autres garanties, qu'elles soient expressees ou tacites, y compris les garanties tacites de qualité marchand, se limitent à la durée stipulée dans cette garantie limitée expresse. Les conditions stipulées dans cette garantie constituent le recours unique et exclusif quant aux obligations de MTD PRODUCTS LIMITED découlant de la vente de ses produits.

Frais de transport: Les frais relatifs au transport de toute machine motorisée ou de tout accessoire sont à la charge de l'acheteur. Les frais de transport d'une pièce quelconque envoyée à des fins de remplacement en vertu de cette garantie doivent être pris en charge par l'acheteur, sauf si le renvoi de la machine est demandé par écrit par MTD PRODUCTS LIMITED.

Pour faire honorer la garantie: Présentez une preuve d'achat à l'atelier de réparations ou au distributeur agréé. Si vous ne connaissez pas l'adresse de l'atelier de réparations ou du distributeur de votre région, appelez le 1-800-668-1238. L'usine ne peut accepter le renvoi d'une machine complète si une autorisation n'a pas été accordée par écrit par MTD PRODUCTS LIMITED.

Garantie complète de soixante jours des pièces à usure normale: Les courroies, adaptateurs de lame, lames, sacs à herbe, sièges, pneus, roues du plateau de coupe des tondeuses à siège, et pièces d'embrayage (roues de frotement) sont considérés comme des pièces à usure normale. Elles sont garanties exemptes de vices de matière et de fabrication à l'acheteur initial pour une période de soixante (60) jours à partir de la date d'achat au détail.

Garantie limitée supplémentaire de trente jours de la batterie: À l'expiration du délai de quatre-vingt-dix (90) jours, mais dans un délai de cent vingt (120) jours de la date d'achat, MTD PRODUCTS LIMITED s'engage à remplacer la batterie défectueuse à l'acheteur initial pour la moitié du prix de vente au détail de la batterie, en vigueur au moment du retour de la batterie.

Garantie complète de quatre-vingt-dix jours de la batterie: MTD PRODUCTS LIMITED s'engage à remplacer gratuitement la batterie à l'acheteur initial, si la batterie fournie avec la machine s'avère défectueuse en raison d'un vice de matière ou de fabrication et si nos essais confirment qu'elle ne peut pas maintenir une charge, dans un délai de quatre-vingt-dix (90) jours à partir de la date d'achat au détail.

1. Les pièces rendues inutilisables par un emploi incorrect, une utilisation commerciale, un emploi abusif, une négligence, un entretien incorrect ou une modification;
2. La machine si elle n'a pas été utilisée et/ou entretenue conformément aux instructions qui l'accompagnent;
3. Le moteur, le moteur électrique ou l'un de ses composants car ils sont garantis par leurs fabricants respectifs. Veuillez consulter la garantie qui s'applique à la pièce en particulier;
4. Les batteries et les pièces présentant une usure normale énumérées plus bas. Les pompes, soupapes et cylindres des fendeuses à bois sont garantis pendant un an;
5. Les articles d'entretien courant tels que les lubrifiants, filtres, aiguisage de lames et révisions, ou les réglages des freins, de l'embrayage ou du plateau de coupe;
6. La détérioration normale de la finition extérieure du fait de l'utilisation de la machine et de son exposition aux intempéries.

Cette garantie ne couvre pas:

Canada.
MTD PRODUCTS LIMITED s'engage à réparer ou à remplacer gratuitement, à son choix, à l'acheteur initial, toute pièce ou partie de pièce qui s'avère défectueuse en raison d'un vice de matière ou de fabrication, dans un délai de DEUX ANS à partir de la date d'achat au détail au

GARANTIE LIMITÉE DE DEUX ANS

GUIDE DE DÉPANNAGE

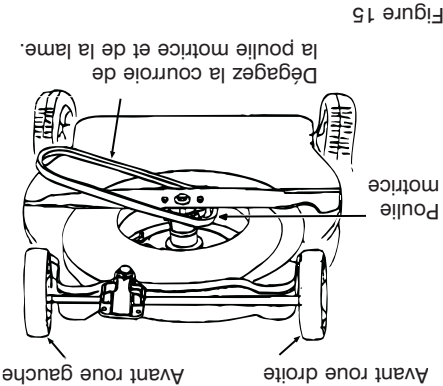
PROBLÈME	CAUSE(S) PROBABLE(S)	SOLUTION
Le moteur ne démarre pas	<ol style="list-style-type: none"> 1. La poignée de commande de la lame n'est pas embrayée. 2. Le fil de la bougie est débranché. 3. Le réservoir est vide ou l'essence est éventée. 4. La canalisation de carburant est bouchée. 5. La bougie est défectueuse. 6. Le moteur est noyé. 	<ol style="list-style-type: none"> 1. Embrayez la poignée de commande de la lame. 2. Branchez le fil de la bougie. 3. Faites le plein avec une essence propre et fraîche. 4. Nettoyez la canalisation. 5. Nettoyez, réglez l'écartement ou remplacez la bougie. 6. Attendez quelques minutes avant d'essayer de faire démarrer le moteur sans l'amorcer.
Le moteur tourne irrégulièrement	<ol style="list-style-type: none"> 1. Le fil de la bougie desserre. 2. La canalisation de carburant est bouchée ou l'essence est éventée. 3. L'évent du capuchon du réservoir est bouché. 4. De l'eau ou une saleté est présente dans le système. 5. Le filtre à air est sale. 6. Le carburateur est mal réglé. 	<ol style="list-style-type: none"> 1. Branchez et serrez le fil de la bougie. 2. Nettoyez la canalisation. Faites le plein avec une essence propre et fraîche. 3. Débouchez l'évent. 4. Videz le réservoir à carburant. Faites le plein avec une essence fraîche. 5. Nettoyez le filtre à air. 6. Réglez le carburateur.
Le moteur surchauffe	<ol style="list-style-type: none"> 1. Le niveau d'huile est trop bas. 2. La circulation d'air est gênée. 3. Le carburateur est mal réglé. 	<ol style="list-style-type: none"> 1. Faites le plein d'huile du carter. 2. Démontez l'habillage du ventilateur et nettoyez-le. 3. Réglez le carburateur.
Le moteur tourne irrégulièrement.	<ol style="list-style-type: none"> 1. La bougie est sale, défectueuse ou l'écartement est trop grand. 2. Le carburateur est mal réglé. 3. Le filtre à air est sale. 	<ol style="list-style-type: none"> 1. Réglez l'écartement à 0,030 po ou remplacez la bougie. 2. Réglez le carburateur. 3. Nettoyez le filtre à air.
Vibrations excessives	<ol style="list-style-type: none"> 1. La lame est desserrée ou mal équilibrée. 2. La lame est déformée. 	<ol style="list-style-type: none"> 1. Serrez la lame et l'adaptateur. Equilibrez la lame. 2. Remplacez la lame.
La tondeuse ne déchiquette pas l'herbe	<ol style="list-style-type: none"> 1. L'herbe est mouillée. 2. L'herbe est trop haute. 3. La lame est émoussée. 	<ol style="list-style-type: none"> 1. Ne tondez pas quand l'herbe est mouillée. Attendez qu'elle sèche. 2. Coupez l'herbe à un réglage élevé, puis tondez à nouveau à la hauteur voulue ou sur une largeur plus étroite. 3. Aiguissez ou remplacez la lame.
La coupe est irrégulière.	<ol style="list-style-type: none"> 1. Les roues ne sont pas bien positionnées. 2. La lame est émoussée. 	<ol style="list-style-type: none"> 1. Placez les quatre roues à la même hauteur. 2. Aiguissez ou remplacez la lame.
Les roues ne font pas avancer la tondeuse.	<ol style="list-style-type: none"> 1. La courroie n'est pas bien installée. 2. Des débris gênent le fonctionnement de la transmission. 	<ol style="list-style-type: none"> 1. Vérifiez que la courroie est bien installée sur la poulie et qu'elle tourne dans le bon sens. 2. Nettoyez la transmission.

REMARQUE: Pour toute réparation autre que les ajustements mineurs ci-dessus, adressez-vous à la station technique agréée.

REMARQUE: Si la corde du démarreur se dégage du guide sur le guidon, débarrachez la bougie et mettez-la à la masse. Appuyez sur l'étrier et faites lentement sortir la corde du moteur. Glissez la corde du démarreur dans le bouchon de guidage sur le guidon.

REMARQUE: Faites attention de ne pas plier ni tortiller les câbles.

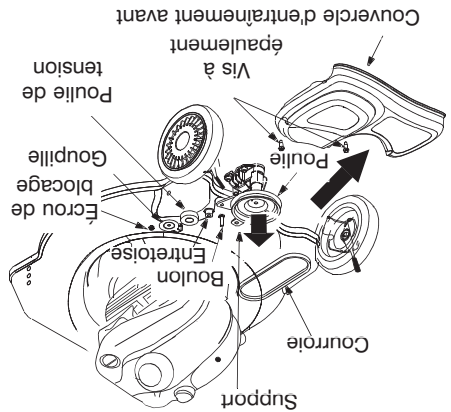
REMARQUE: Il est très important de bien protéger le matériel contre la rouille s'il doit être entreposé dans un abri métallique non ventilé. Enduisez toute la machine, en particulier les câbles et toutes les pièces mobiles, avec une huile légère ou de la silicone.



- Procédez de la manière suivante pour préparer votre tondeuse pour un entreposage prolongé.
- Nettoyez et lubrifiez soigneusement la tondeuse selon les instructions de lubrification.
 - Consultez la notice d'utilisation du moteur quant aux instructions d'entreposage du moteur.
 - Enduisez la lame de la tondeuse d'une graisse à chassis pour l'empêcher de rouiller.
 - Entrez la tondeuse dans un endroit sec et propre.

ENTREPOSAGE HORS SAISON

Figure 14



REMARQUE: Ce système d'allumage par étincelle de véhicule respecte

de l'embrayage.

- Ajustez l'embrayage de l'entraînement selon les instructions du chapitre sur les réglages.

REMARQUE: Commencez à remonter la poulie de tension en insérant le boulon dans le trou du support.

- Installez la courroie neuve dans l'ordre inverse.

de la lame. Voir la Figure 15.

- Dégagez la courroie de la poulie motrice et la Figure 14.

- Dégagez la courroie de la transmission. Voir la Figure 14.

en utilisant une clé et une douille de 7/16 po.

- Dégagez la poulie de tension de son support Figure 14.

légèrement sur les côtés du couvercle sur le plateau de coupe en poussant

- Démontez le couvercle d'entraînement avant la Figure 14.

avant sur le plateau de coupe. Voir la Figure 14.

- Enlevez les deux vis à épaulement qui se trouvent sur le dessus du plateau de coupe

et qui retiennent le couvercle d'entraînement

- Enlevez les deux vis à épaulement qui se trouvent sur le dessus du plateau de coupe

et qui retiennent le couvercle d'entraînement

- Enlevez les deux vis à épaulement qui se trouvent sur le dessus du plateau de coupe

et qui retiennent le couvercle d'entraînement

- Enlevez les deux vis à épaulement qui se trouvent sur le dessus du plateau de coupe

et qui retiennent le couvercle d'entraînement

- Enlevez les deux vis à épaulement qui se trouvent sur le dessus du plateau de coupe

et qui retiennent le couvercle d'entraînement

- Enlevez les deux vis à épaulement qui se trouvent sur le dessus du plateau de coupe

et qui retiennent le couvercle d'entraînement

- Enlevez les deux vis à épaulement qui se trouvent sur le dessus du plateau de coupe

et qui retiennent le couvercle d'entraînement

- Enlevez les deux vis à épaulement qui se trouvent sur le dessus du plateau de coupe

et qui retiennent le couvercle d'entraînement

- Enlevez les deux vis à épaulement qui se trouvent sur le dessus du plateau de coupe

et qui retiennent le couvercle d'entraînement

- Enlevez les deux vis à épaulement qui se trouvent sur le dessus du plateau de coupe

et qui retiennent le couvercle d'entraînement

- Enlevez les deux vis à épaulement qui se trouvent sur le dessus du plateau de coupe

et qui retiennent le couvercle d'entraînement

- Enlevez les deux vis à épaulement qui se trouvent sur le dessus du plateau de coupe

et qui retiennent le couvercle d'entraînement

- Enlevez les deux vis à épaulement qui se trouvent sur le dessus du plateau de coupe

et qui retiennent le couvercle d'entraînement

- Enlevez les deux vis à épaulement qui se trouvent sur le dessus du plateau de coupe

et qui retiennent le couvercle d'entraînement

- Enlevez les deux vis à épaulement qui se trouvent sur le dessus du plateau de coupe

et qui retiennent le couvercle d'entraînement

- Enlevez les deux vis à épaulement qui se trouvent sur le dessus du plateau de coupe

et qui retiennent le couvercle d'entraînement

- Enlevez les deux vis à épaulement qui se trouvent sur le dessus du plateau de coupe

et qui retiennent le couvercle d'entraînement

- Enlevez les deux vis à épaulement qui se trouvent sur le dessus du plateau de coupe

et qui retiennent le couvercle d'entraînement

toutes les exigences du Règlement sur le matériel brouilleur du Canada.

l'écarterment du moteur.

Nettoyez la **bougie** et ajustez l'écarterment

une fois par saison. Il est recommandé de

remplacer la bougie au début de chaque

saison. Vérifiez le type de bougie à utiliser et

l'écarterment correct dans la notice

d'utilisation du moteur.

Nettoyez la **bougie** et ajustez l'écarterment

une fois par saison. Il est recommandé de

remplacer la bougie au début de chaque

saison. Vérifiez le type de bougie à utiliser et

l'écarterment correct dans la notice

d'utilisation du moteur.

Nettoyez la **bougie** et ajustez l'écarterment

une fois par saison. Il est recommandé de

remplacer la bougie au début de chaque

saison. Vérifiez le type de bougie à utiliser et

l'écarterment correct dans la notice

d'utilisation du moteur.

Nettoyez la **bougie** et ajustez l'écarterment

une fois par saison. Il est recommandé de

remplacer la bougie au début de chaque

saison. Vérifiez le type de bougie à utiliser et

l'écarterment correct dans la notice

d'utilisation du moteur.

Nettoyez la **bougie** et ajustez l'écarterment

une fois par saison. Il est recommandé de

remplacer la bougie au début de chaque

saison. Vérifiez le type de bougie à utiliser et

l'écarterment correct dans la notice

d'utilisation du moteur.

Nettoyez la **bougie** et ajustez l'écarterment

une fois par saison. Il est recommandé de

remplacer la bougie au début de chaque

saison. Vérifiez le type de bougie à utiliser et

l'écarterment correct dans la notice

d'utilisation du moteur.

Nettoyez la **bougie** et ajustez l'écarterment

une fois par saison. Il est recommandé de

remplacer la bougie au début de chaque

saison. Vérifiez le type de bougie à utiliser et

l'écarterment correct dans la notice

d'utilisation du moteur.

Nettoyez la **bougie** et ajustez l'écarterment

une fois par saison. Il est recommandé de

remplacer la bougie au début de chaque

saison. Vérifiez le type de bougie à utiliser et

l'écarterment correct dans la notice

d'utilisation du moteur.

Nettoyez la **bougie** et ajustez l'écarterment

une fois par saison. Il est recommandé de

remplacer la bougie au début de chaque

saison. Vérifiez le type de bougie à utiliser et

l'écarterment correct dans la notice

d'utilisation du moteur.

MOTEUR

pour tout ce qui concerne l'entretien du

moteur.

Consultez la notice d'utilisation du moteur

pour tout ce qui concerne l'entretien du

moteur.

Consultez la notice d'utilisation du moteur

pour tout ce qui concerne l'entretien du

moteur.

Consultez la notice d'utilisation du moteur

pour tout ce qui concerne l'entretien du

moteur.

Consultez la notice d'utilisation du moteur

pour tout ce qui concerne l'entretien du

moteur.

Consultez la notice d'utilisation du moteur

pour tout ce qui concerne l'entretien du

moteur.

Consultez la notice d'utilisation du moteur

pour tout ce qui concerne l'entretien du

moteur.

Consultez la notice d'utilisation du moteur

pour tout ce qui concerne l'entretien du

moteur.

Consultez la notice d'utilisation du moteur

pour tout ce qui concerne l'entretien du

moteur.

Consultez la notice d'utilisation du moteur

pour tout ce qui concerne l'entretien du

moteur.

Consultez la notice d'utilisation du moteur

pour tout ce qui concerne l'entretien du

moteur.

Couple de montage de la lame

l'arrière de cette notice d'utilisation.

Consultez la liste de pièces détachées à

l'arrière de cette notice d'utilisation.

Consultez la liste de pièces détachées à

l'arrière de cette notice d'utilisation.

Consultez la liste de pièces détachées à

l'arrière de cette notice d'utilisation.

Consultez la liste de pièces détachées à

l'arrière de cette notice d'utilisation.

Consultez la liste de pièces détachées à

l'arrière de cette notice d'utilisation.

Consultez la liste de pièces détachées à

l'arrière de cette notice d'utilisation.

Consultez la liste de pièces détachées à

l'arrière de cette notice d'utilisation.

Consultez la liste de pièces détachées à

l'arrière de cette notice d'utilisation.

Consultez la liste de pièces détachées à

l'arrière de cette notice d'utilisation.

Consultez la liste de pièces détachées à

l'arrière de cette notice d'utilisation.

Consultez la liste de pièces détachées à

l'arrière de cette notice d'utilisation.

Consultez la liste de pièces détachées à

l'arrière de cette notice d'utilisation.

ENTRETIEN

Pour obtenir les meilleurs résultats, la lame doit être bien affûtée. Pour la raffûter: démontez-la puis meulez ou limez les bords tranchants en maintenant l'angle aussi près que possible du biseau original.

Une lame déséquilibrée cause des vibrations qui peuvent endommager le moteur et la tondeuse. Assurez-vous de bien rééquilibrer la lame après l'avoir affûtée.

Après un usage prolongé, particulièrement dans des terrains sablonneux, la lame sera émoussée et perdra son tranchant original. L'efficacité de la coupe sera réduite et la lame devra être remplacée. Remplacez-la toujours par une lame de rechange approuvée par l'usine. Le fabricant n'est pas responsable des dommages causés par une lame déséquilibrée.

NOTE: Couchez la tondeuse sur le côté selon les instructions dans la notice d'utilisation. Si il y a pas d'instructions spécifique, couchez la tondeuse sur le côté avec le carburateur en l'air.

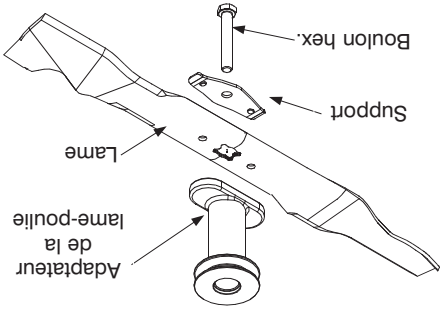


Figure 13

LAME

ATTENTION: Le fait de couper l'herbe sur un sol sablonneux provoque l'usure de la lame par abrasion.



AVERTISSEMENT : En enlevant la lame pour l'affûtage ou le remplacement, portez toujours des gants épais ou utilisez un chiffon pour manipuler la lame.

- Enlevez le boulon qui maintient la lame et l'adaptateur de la lame-pouille sur le vilebrequin. Dégagez l'ensemble de la pouille et le support de la lame du vilebrequin. Voir la Figure 13.

Mollette de réglage de l'embrayage

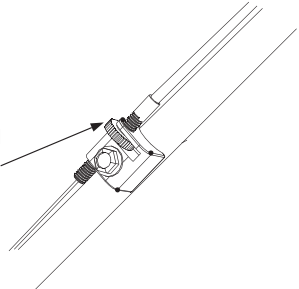


Figure 12

- Pour ajuster la tension, tournez la mollette de réglage à la main, voir la Figure 12. Tournez la mollette vers la gauche pour serrer et vers la droite pour le desserrer.

LUBRIFICATION

ATTENTION: DÉBRANCHEZ TOUJOURS LE FIL DE LA BOUGIE AVANT DE FAIRE L'ENTRETIEN.

ROUES - Lubrifiez les roulements à billes des roues (si équipé) au moins une fois par saison avec de l'huile légère. Toutefois, si elles doivent être démontées pour une raison quelconque, lubrifiez la surface du boulon d'essieu et la surface intérieure de la roue avec une huile automobile légère.

MOTEUR - Consultez la notice d'utilisation du moteur pour les instructions de lubrification.

COMMANDE DE LA LAME - Lubrifiez les points de pivot de la poignée de commande de la lame et le câble de frein au moins une fois par saison avec une huile légère. La commande de la lame doit fonctionner facilement dans les deux sens.

CLAPETS D'ÉJECTION - Lubrifiez régulièrement les ressorts de torsion et les points de pivotage avec une huile légère pour empêcher la formation de rouille et tout blocage. Le clapet doit pouvoir fonctionner facilement.

TRANSMISSION - La transmission a été lubrifiée et scellée à l'usine et il n'est pas nécessaire de la lubrifier régulièrement dans le cadre d'un programme d'entretien.

coupe.

inclinez la tondeuse et grattez le dessous du plateau de coupe avec la bougie est débarrassée) pour nettoyer le plateau de

déchiquetage efficace.

Nettoyez le dessous du plateau de coupe après chaque utilisation pour empêcher les brins d'herbe, les feuilles ou la saleté de s'y accumuler. Toute accumulation favorise la rouille et la corrosion et peut empêcher le

PLATEAU DE COUPE

AVERTISSEMENT: Arrêtez le moteur si vous heurtez un objet quelconque. Débranchez le fil de la bougie, cherchez soigneusement tout signe de dégât à la tondeuse et réparez-la avant de la remettre en marche et de vous en servir. Des vibrations importantes de la tondeuse indiquent des dégâts. Faites examiner et réparer la machine rapidement.



éviter de faire trop de saletés. La tondeuse sont toujours sur l'herbe pour la tondeuse. Assurez-vous que les lames de l'herbe à tondre se trouve sur la gâchette de tondeuse. Continuez de cette façon pour garder le trottoir ou l'allée sur la droite de la

Méthode de tonte. Il est recommandé de garder le trottoir ou l'allée sur la droite de la tondeuse. Continuez de cette façon pour l'herbe à tondre se trouve sur la gâchette de la tondeuse. Assurez-vous que les lames de l'herbe à tondre se trouvent sur la gâchette de la tondeuse. Assurez-vous que les lames de l'herbe à tondre se trouvent sur la gâchette de la tondeuse. Assurez-vous que les lames de l'herbe à tondre se trouvent sur la gâchette de la tondeuse.

Déchiquetage de feuilles. Le déchiquetage des feuilles à l'autonomie peut aussi être bénéfique pour votre pelouse. Assurez-vous toutefois que les feuilles sont sèches et qu'elles ne forment pas une couche trop épaisse sur la pelouse. N'attendez pas que toutes les feuilles soient tombées pour les déchiqueter.

Nettoyez le dessous du plateau de coupe. Nettoyez le dessous du plateau de coupe après chaque utilisation pour empêcher les brins d'herbe de s'y accumuler, ce qui générerait le déchiquetage. Le déchiquetage des feuilles à l'autonomie peut aussi être bénéfique pour votre pelouse. Assurez-vous toutefois que les feuilles sont sèches et qu'elles ne forment pas une couche trop épaisse sur la pelouse. N'attendez pas que toutes les feuilles soient tombées pour les déchiqueter.

Réglage de l'embrayage

La molette de réglage de l'embrayage se trouve sur le guidon inférieur droit. Elle sert à augmenter ou à réduire la tension du câble de la transmission. Ajustez le câble si :

- a) la tondeuse n'avance pas toute seule ; ou
- b) les roues hésitent à tourner quand la poignée de commande de l'embrayage est poussée vers l'avant.

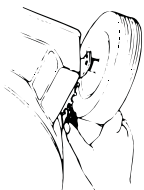
Le levier de réglage des roues de coupe, poussez le levier de réglage des roues vers la roue et déplacez-le vers le haut ou le bas à la hauteur choisie. Voir la Figure 11.

REMARQUE: Toutes les roues doivent être à la même hauteur.

Le levier de réglage des roues de votre tondeuse vous permet un choix de neuf (9) hauteurs de coupe. La coupe moyenne convient pour la plupart des tondeuses.

Pour changer la hauteur de coupe, poussez le levier de réglage des roues vers la roue et déplacez-le vers le haut ou le bas à la hauteur choisie. Voir la Figure 11.

Figure 11



ATTENTION: N'EFFECTUEZ JAMAIS DE RÉGLAGE SUR LA TONDEUSE SANS AVOIR AUPARAVANT ARRÊTÉ LE MOTEUR ET DÉBRANCHÉ LE FIL DE LA BOUGIE.

RÉGLAGES

REMARQUE: L'utilisation d'un nettoyeur sous pression ou d'un boyau d'arrosage pour nettoyer la tondeuse est déconseillée. Cela risque en effet d'endommager les composants électriques, les fusées, les poulies, les roulements ou le moteur l'emploi d'eau à tendance à raccourcir la vie du nettoyeur et à limiter sa facilité d'entretien.

MISE EN MARCHÉ DU MOTEUR ET EMBRAYAGE DE LA LAME

AVERTISSEMENT: Assurez-vous que personne autres que le conducteur n'est proche de la tondeuse au démarrage du moteur ou pendant l'utilisation de la tondeuse.

AVERTISSEMENT: Ne faites jamais fonctionner la machine dans un lo-cal clos car les gaz s'échappent du moteur contiennent du monoxyde de carbone, un gaz inodore très dangereux.

AVERTISSEMENT: Eloignez vos mains, pieds, cheveux et vêtements lâches des pièces en mouvement du moteur et de la tondeuse.

• Si votre tondeuse est équipée d'un amortisseur, amorcez le moteur en suivant les instructions de la notice d'utilisation du moteur.

• Si votre tondeuse est équipée d'une commande à deux vitesses, veuillez consulter la notice d'utilisation du moteur qui accompagne la tondeuse.

• Tenez-vous derrière la machine, appuyez sur la poignée de commande de la lame et maintenez-la contre la poignée de commande. Assurez-vous que la poignée de commande est tirée à fond contre le guidon.

AVERTISSEMENT: Si la poignée de commande de l'entraînement n'est pas tirée à fond contre le guidon, la tondeuse avancera au démarrage.

• Prenez la poignée du démarrage à l'aveugle et tirez-la lentement jusqu'à ce que vous sentiez une légère résistance. Tirez alors rapidement pour faire démarrer le moteur et pour éviter le recul. Laissez la poignée revenir lentement jusqu'au bouton de guidage de la corde.

• Après que le moteur démarre, poussez la poignée pour enclencher la transmission, tirez-la pour l'arrêter. Lâchez la poignée de commande pour ralentir pour contourner un obstacle, tourner ou pour arrêter. Plus la poignée est poussée vers l'avant, plus la tondeuse avance vite.

REMARQUE: Il suffit d'appuyer sur ce poignée pour faire fonctionner la machine. Le fait de lâcher la poignée de commande de la lame arrête le moteur et la lame.

ARRÊT DU MOTEUR

• Lâchez la poignée de commande de la lame pour arrêter le moteur et la lame.

• Débranchez le fil de la bougie et mettez-le à la masse contre le moteur pour empêcher tout démarrage accidentel lorsque la machine n'est pas surveillée.

AVERTISSEMENT: La lame continue à tourner pendant quelques secondes après que le moteur s'est éteint.

Utilisation de l'accessoire de déchiquetage (en option)

Les tondeuses déchiqueteuses sont équipées d'une lame spéciale qui pulvérisent l'herbe en particules minuscules et les projettent dans la pelouse. Ces petits brins d'herbe se décomposent rapidement en un engrais naturel qui redonne à la terre les éléments nutritifs dont elle a besoin. Le déchiquetage continu de l'herbe équivaut donc à une application continue d'un engrais naturel, sans le problème de se débarrasser de l'herbe coupée avec, en fin de compte, une pelouse beaucoup plus saine et plus verte.

AVERTISSEMENT: Cette tondeuse est conçue pour l'entretien normal de pelouses résidentielles dont la hauteur de l'herbe ne dépasse pas 10 po. N'essayez pas de tondre de l'herbe plus haute et sèche (comme dans des champs) ou des tas de feuilles mortes. Les débris risquent de s'accumuler sous le plateau de coupe ou sur le système d'échappement du moteur, ce qui pourrait provoquer un incendie.

POUR OBTENIR LES MEILLEURS RÉSULTATS EN DÉCHIQUETANT L'HERBE, SUIVEZ LES CONSEILS CI-DESSOUS

• **Nettoyez la pelouse.** Vérifiez qu'il n'y a plus de pierres, de morceaux de bois, de fils métalliques ou autres objets sur la pelouse, qui risquent d'endommager la tondeuse. Ces objets pourraient être projetés par la tondeuse dans une direction ou une autre et blesser grièvement le conducteur ou toute autre personne présente et causer des dégâts matériels.

• **Ne coupez pas l'herbe mouillée.** Pour un déchiquetage efficace, ne coupez pas de l'herbe mouillée car elle a tendance à coller au dessus du tablier et aggraver le déchiquetage.

• **Coupez 1/3 de la longueur de l'herbe.** La coupe recommandée pour un bon

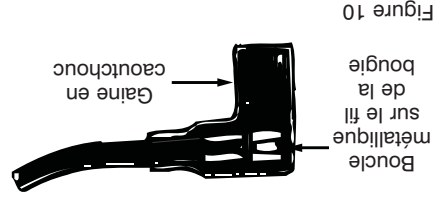


Figure 10

• Branchez le fil de la bougie sur cette dernière. Si une gaine en caoutchouc recouvre l'extrémité du fil de la bougie, assurez-vous que la boucle métallique, au bout du fil de la bougie (dans la gaine en caoutchouc), est bien fixée sur l'embout métallique de la bougie. Voir la Figure 10.

MISE EN MARCHÉ DU MOTEUR

moins deux minutes.

AVERTISSEMENT: Ne faites jamais le plein à l'intérieur, pendant que le moteur tourne ou avant que le moteur n'ait refroidi pendant au

moins deux minutes.

Faites les pleins d'essence et d'huile selon les instructions fournies dans la notice d'utilisation du moteur qui accompagne la tondeuse. Veuillez lire les instructions attentivement.

UTILISATION

Ces leviers se trouvent sur chacune des roues de la tondeuse et permettent d'ajuster la hauteur de coupe. Les quatre leviers doivent se trouver à la même position relative pour garantir une coupe uniforme.

Levier de réglage de la hauteur de coupe

Le moteur est équipé d'un obturateur à vitesse constante réglé au régime maximum pour assurer d'excellentes performances du moteur et une excellente coupe.

Commande de l'obturateur

Elle est attachée au guidon. Tenez-vous derrière la tondeuse et tirez sur la corde du démarrage pour mettre la tondeuse en marche.

Corde du démarrage

de modifier son réglage.

dispositif de sécurité. N'essayez jamais de contourner son rôle ou

AVERTISSEMENT : La poignée de commande de la lame est un

Elle est située sur le guidon supérieur de la tondeuse. Voir la Figure 9. Elle doit être serrée pour que la tondeuse fonctionne. Le fait de relâcher la poignée de commande de la lame arrête le moteur et la lame.

Poignée de commande de la lame

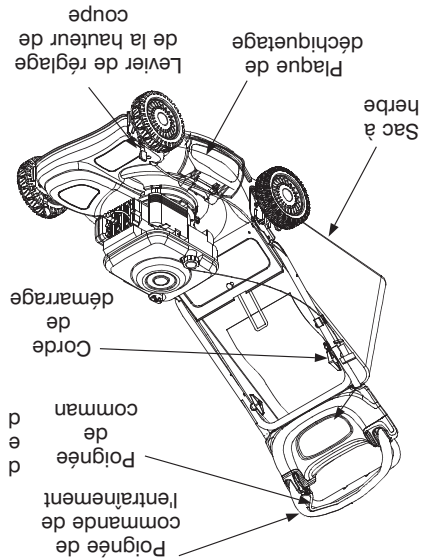
Cette tondeuse est équipée d'une transmission Smart Speed^{MD} qui permet, grâce à la poignée de commande, d'ajuster automatiquement la vitesse de coupe à la vitesse de déplacement. La poignée de commande se trouve sur le guidon supérieur. Poussez la poignée pour enclencher la transmission, tirez-la pour l'arrêter. Plus la poignée est poussée vers l'avant, plus la tondeuse avance vite.

Poignée de commande de l'entraînement

des réglages ou réparations.

AVERTISSEMENT: L'utilisation d'une tondeuse peut causer la projection d'un objet quelconque qui pourrait gravement blesser le conducteur. S'il utilisez la tondeuse ou en effectuant des réglages ou réparations.

Figure 9 - La roue arrière gauche a été supprimée du dessin pour permettre une meilleure compréhension.



Veillez lire la notice d'utilisation et les consignes de sécurité avant d'utiliser la tondeuse. Comparez l'illustration de la Figure 9 avec la tondeuse pour vous familiariser avec l'emplacement des divers composants et avec les ajustements possibles. Conservez cette notice d'utilisation pour la consulter ultérieurement.

COMMANDES

- Assurez-vous que tous les boulons et tous les écrous sont bien serrés.

ASSEMBLAGE FINAL

AVERTISSEMENT: Toutes les tondeuses sont équipées d'un dispositif de protection à l'arrière. Il empêche les projectiles soulevés par la lame de blesser l'utilisateur de la tondeuse. **NE DÉMONTÉZ PAS CE DISPOSITIF DE SÉCURITÉ.**



REMARQUE: Ne retirez jamais le bouchon de déchetage à charnière, même quand vous ne déchetagez pas.

ATTENTION: N'utilisez pas la tondeuse si le déflecteur, bouchon de déchetage de ramassage de l'herbe approuvé n'est pas en place. Le déflecteur a pour rôle de diriger vers la pelouse tout objet projeté par la lame. Rabaissez le plateau de déchetage à charnière.

- Si la tondeuse est préparée pour l'éjection latérale, relevez le bouchon de déchetage à charnière qui se trouve sur le côté du plateau de coupe et retirez la goulotte d'éjection latérale. Abaissez le bouchon de déchetage à charnière.
- Relevez le sac à herbe.

CONVERSION EN DÉCHQUETUSE

- Rabaissez la plaque de déchetage à charnière.

Figure 8



- Si la tondeuse est équipée d'un déflecteur d'éjection latérale, procédez comme suit pour éjecter l'herbe sur le côté:
 - Enlevez le sac à herbe comme décrit précédemment.
 - Relevez la plaque de déchetage à charnière qui se trouve sur le côté du plateau de coupe. Voir la Figure 8.
 - Glissez les deux crochets du déflecteur d'éjection latérale sous la goupille de la charnière du plateau de déchetage à charnière.

CONVERSION AU MODE D'ÉJECTION LATÉRALE

AVERTISSEMENT: N'utilisez jamais la tondeuse si les crochets du sac à herbe ne sont pas enfoncés dans la tige de pivotement et si le clapet arrière ne repose pas contre le haut du sac à herbe.



- Relevez le clapet d'éjection arrière de la tondeuse, comme à la Figure 7. Relevez le sac à herbe et dégagez-le de la tige de pivotement. Lâchez le clapet d'éjection arrière.
- **POUR ENLEVER LE SAC À HERBE**

Figure 7

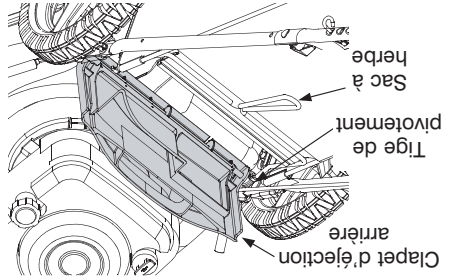
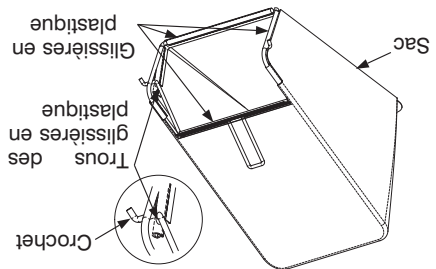


Figure 6



REMARQUE: Assurez-vous que les câbles sont accrochés sur l'extérieur du guidon pour qu'ils ne gênent pas lors de l'installation du sac à herbe.

- Relevez le clapet d'éjection arrière de la tondeuse et placez le sac à herbe sur la tige de pivotement. Lâchez le clapet pour qu'il re-

TONDEUSE

ASSEMBLAGE DU SAC À HERBE SUR LA

- Attachez le sac sur l'armature en accrochant celle du dessus du sac, s'accrochant de l'extérieur du sac. Le haut du sac s'attache de l'intérieur de celui-ci.
- Glissez le sac sur l'armature (côté en plastique noir sur le dessous). Enfoncez les glisseurs en plastique dans les trous des glisseurs en plastique du sac, s'accrochant de l'extérieur du sac. Le haut du sac s'attache de l'intérieur de celui-ci.

REMARQUE: Vérifiez que le sac à herbe est bien à l'endroit avant l'assemblage (*l'étiquette d'avertissement doit se trouver sur l'extérieur*).

Sac à herbe souple

REMARQUE: Si le sac à herbe de la tondeuse est déjà assemblé, passez au chapitre suivant. Sinon, suivez les instructions ci-dessous.

ASSEMBLAGE DU SAC À HERBE

- Vérifiez que tous les écrous et boulons sont bien serrés.

- Voir la Figure 5. Attachez l'ensemble avec l'écrou à oreilles. Intérieur, en utilisant le trou représenté. Démarrateur et dans le côté droit du guidon. Glissez le guide autour de la corde du guide orientée vers l'avant de la tondeuse. façon représentée pour que son ouverture démarreur du moteur. Tenez le guide de la corde du guidon supérieur et tirez sur la corde du guide de commande de la lame contre le trou supérieur du moteur, puis pressez la masse en suivant les instructions de la notice d'utilisation du moteur, puis pressez la
- Débranchez le fil de la bougie et mettez-le à démarreur.
- Démarreur. Dégagez le guide, de la corde du trou supérieur.
- L'écrou à oreilles et le guide de la corde du démarreur sont attachés à la corde du démarreur, sur le dessus du moteur. Dégagez l'écrou à oreilles, de la guide de la corde du démarreur. Dégagez le guide, de la corde du trou supérieur.

INSTALLATION DE LA CORDE DU DÉMARRÉUR

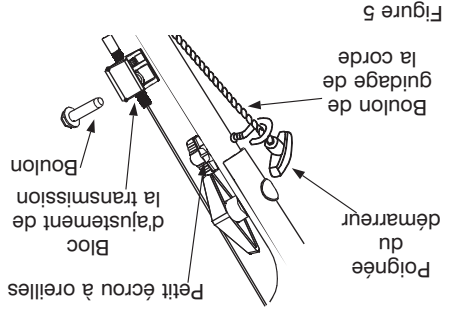


Figure 5

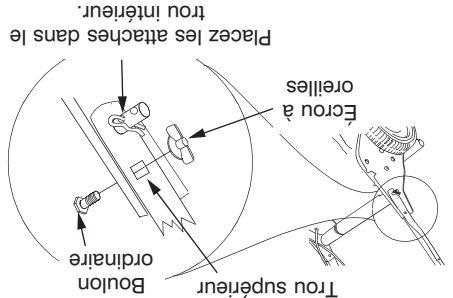
- Le bloc est installé sur le câble de transmission.
- Enlevez le boulon installé sur le guidon inférieur droit.
- Alignez le bloc d'ajustement de la transmission, côté incurvé contre le guidon, avec le trou dans le guidon.
- Maintenez le bloc d'ajustement de la transmission avec le boulon que vous venez d'enlever. Voir la Figure 5.

DE LA TRANSMISSION

INSTALLATION DU BLOC D'AJUSTEMENT

- Le bloc est installé sur le câble de transmission.
- Enlevez le boulon installé sur le guidon inférieur droit.
- Alignez le bloc d'ajustement de la transmission, côté incurvé contre le guidon, avec le trou dans le guidon.
- Maintenez le bloc d'ajustement de la transmission avec le boulon que vous venez d'enlever. Voir la Figure 5.
- Dégagez la goupille-épingle de ce trou. Voir la Figure 4.
- Avec une pince, enfoncez la goupille-épingle dans le trou intérieur de la goupille soudée. Répétez de l'autre côté.
- Insérez un boulon ordinaire (tourne dans le sachet de boulonnerie) dans le trou supérieur du support de montage droit du guidon (de l'intérieur vers l'extérieur). Voir la Figure 4. Maintenez-le en place avec un écrou à oreilles en plastique. Procédez de la même façon du côté gauche.

Figure 4



- Démontez le sac à herbe de la tondeuse et mettez-le de côté. Voir la Figure 1 (premier point).
 - Sortez toute garniture d'emballage placée entre les guidons supérieur et inférieur pour l'expédition.
 - Redressez le guidon inférieur dans la direction indiquée à la Figure 1 (deuxième point) jusqu'à ce qu'il s'enclenche en position.
 - Redressez le guidon supérieur dans la direction indiquée à la Figure 1 (troisième point). Serrez les écrous à oreilles qui se trouvent déjà sur le guidon. Voir la Figure 2.
- Attachez le câble de transmission au guidon inférieur avec un attache-câble. Enfoncez l'embout de l'attache-câble dans le trou aménagé sur le guidon inférieur. Serrez l'attache-câble et coupez toute longueur excédentaire.

REMARQUE: Vérifiez que le câble d'entraînement passe sur l'extérieur et au-dessus du guidon inférieur pour qu'il ne gêne pas lors de l'installation du sac à herbe.

- Tirez à fond sur la poignée de commande de l'intérieur vers l'extérieur. Voir la Figure 3.
- Maintenez la poignée de commande à cette position et accrochez l'extrémité en «Z» du câble de transmission dans le trou inférieur de la poignée de commande en passant de l'intérieur vers l'extérieur.

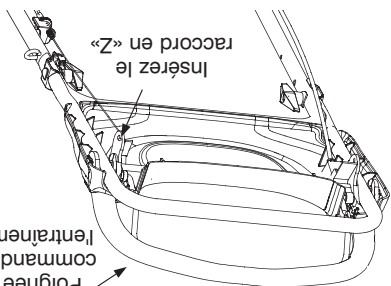


Figure 2

Poignée de commande de l'entraînement

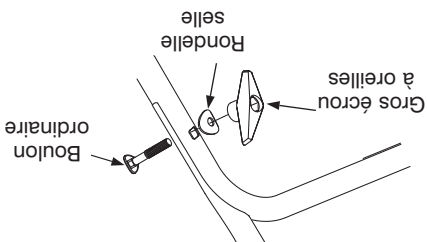
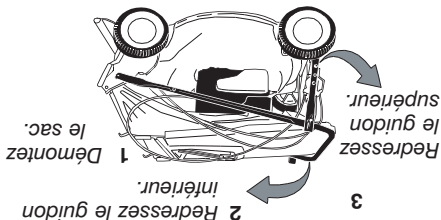


Figure 1



3

ASSEMBLAGE

ATTENTION: DÉBRANCHEZ LE FIL DE LA BOUGIE. CONSULTEZ LES INSTRUCTIONS DE MISE À LA MASSE DANS LA NOTICE D'UTILISATION DU MOTEUR SI LE FIL NE COMPORTE PAS DE GAINE EN CAOUTCHOUC.

Pinces
Entonnoir

Outils nécessaires pour l'assemblage

ATTENTION: NE PLIEZ PAS ET NE TORTILLEZ PAS LE CÂBLE DE COMMANDE.

- Pour ouvrir la boîte, enlevez les agrafes et le ruban adhésif puis décollez les rabats de la boîte.
- Sortez d'abord les pièces détachées de la boîte. (ex. notice d'utilisation, huile, etc.)
- Coupez les quatre coins de la boîte, puis déployez-en les côtés.
- Glissez ou roulez la tondeuse pour la sortie de la boîte.

Déballage de la tondeuse

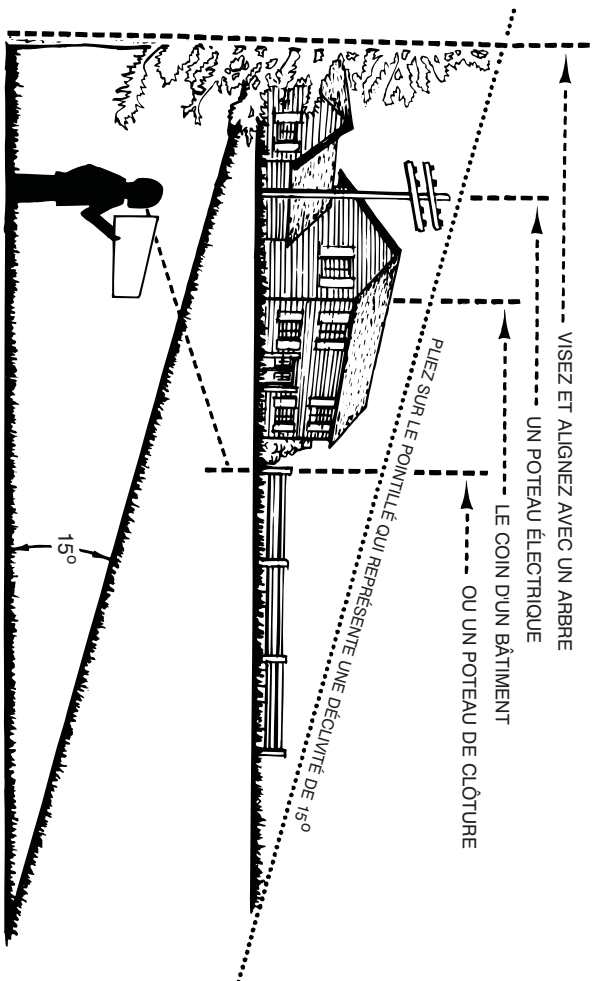
DÉBALLAGE

REMARQUE: Les côtés droit et gauche s'entendent vus de la position de conduite de la machine.

Il est conseillé de lire ce manuel au complet avant d'essayer d'assembler ou d'utiliser l'appareil. Conservez ce manuel dans un endroit sûr afin de vous y référer ultérieurement et pour commander des pièces de rechange.

Cette machine est expédiée **sans huile, ni essence**. Après l'assemblage, faites les pleins d'essence et d'huile conformément aux instructions de la notice d'utilisation du moteur fournie avec la machine.

SERVEZ-VOUS DE CET INCLINOMÈTRE POUR DÉTERMINER LES PENTES SUR LESQUELLES IL SERAIT DANGEREUX DE TRAVAILLER.



(À conserver à un endroit sûr pour toute consultation ultérieure.)

INCLINOMÈTRE

NOTICE
D'UTILISATION



ÉTIQUETTE DE
SÉCURITÉ



AVERTISSEMENT - Votre responsabilité

Cette machine ne doit être utilisée que par des personnes qui peuvent lire, comprendre et respecter les avertissements et instructions qui figurent dans cette notice et sur la machine.

Ne vous servez pas de la tondeuse sur des pentes supérieures à 15° (soit une déclivité de 2 1/2 pi par 10 pi). Une tondeuse à siège risque en effet de se retourner et son conducteur peut être gravement blessé. Il est également difficile de conserver un bon appui en marchant derrière une tondeuse. Vous risquez de glisser et de vous blesser. Utilisez les tondeuses À SIÈGE parallèlement à la pente, jamais en travers.

Utilisez les tondeuses À POUSSER perpendiculairement à la pente, jamais parallèlement.

- Ne faites jamais fonctionner la machine dans un local clos car les gaz d'échappement du moteur contiennent du monoxyde de carbone, un gaz inodore très dangereux.
- Avant de nettoyer, de réparer ou d'examiner la machine, vérifiez que la lame et toutes les pièces mobiles se sont immobilisées. Débranchez le fil de la bougie et mettez-le à la terre contre le moteur pour empêcher tout démarrage accidentel.
- Vérifiez souvent que la lame et les boudons de montage du moteur sont bien serrés. Examinez visuellement la lame pour détecter toute usure excessive, tout fendillement. Remplacez-la avec une lame authentique seulement (du liste de pièces qui se trouve dans cette notice). «L'emploi de pièces non conformes aux caractéristiques de l'équipement d'origine peut causer des perfor-mances inférieures et réduire la sécurité.»
- La lame est coupante et peut causer des blessures graves. Enveloppez la lame avec un chiffon ou portez des gants et faites très attention en le manipulant.
- Assurez-vous que tous les écrous, boulons et vis sont bien serrés pour que l'équipement soit toujours en bon état de marche.
- Ne modifiez jamais les dispositifs de sécurité. Vérifiez souvent qu'ils fonctionnent bien.
- Si vous heurtez un objet, arrêtez immédiatement le moteur, débranchez le fil de la bougie et examinez soigneusement la machine. Réparez les dégâts éventuels avant de remettre la machine en marche.
- Les éléments du sac à herbe et le clapet de la goulotte d'éjection peuvent s'user et être endommagés et, par conséquent, exposer les pièces mobiles ou causer la projection de débris. Par mesure de sécurité, vérifiez souvent les éléments et remplacez-les immédiatement avec des pièces authentiques seulement (du liste de pièces qui se trouve dans cette notice). «L'emploi de pièces non conformes aux caractéristiques de l'équipement d'origine peut causer des perfor-mances inférieures et réduire la sécurité.»
- Ne modifiez pas le réglage du régulateur et ne laissez pas le moteur s'emballer. Le régulateur maintient le moteur à son régime maximal de fonctionnement sans danger.
- Prenez soin des étiquettes d'instructions et remplacez-les au besoin.
- Respectez les règlements concernant l'élimination des déchets et liquides qui risquent de nuire à la nature et à l'environnement.

ENTRETIEN GÉNÉRAL:

- Pour éviter toute blessure ou dégât matériel, MANIPULATION DE L'ESSENCE
- ENTRETIEN
- (a) Remissez le carburant dans des bidons homologués seulement.
- (b) Ne faites jamais le plein dans un véhicule, ni à l'arrière d'une camionnette dont le plancher est recouvert d'un revêtement en plastique. Placez toujours les bidons par terre et loin de votre véhicule avant de les remplir.
- (c) Dans le mesure du possible, déchargez l'équipement moteur de la remorque et faites le plein par terre. Si cela n'est pas possible, faites le plein avec un bidon plutôt que directement de la pompe à essence.
- (d) Maintenez le gicleur en contact avec le bord du réservoir d'essence ou avec l'ouverture du bidon jusqu'à ce que le plein soit terminé. N'utilisez pas un gicleur équipé d'un dispositif de blocage en position ouverte.
- (e) Éteignez toute cigarette ou pipe, tout cigare ou toute autre chaleur incendieuse.
- (f) Ne faites jamais le plein à l'intérieur.
- (g) N'ajoutez jamais le capuchon d'essence et n'ajoutez pas d'essence pendant que le moteur tourne ou s'il est chaud. Laissez le moteur refroidir pendant au moins deux minutes avant de faire le plein.
- (h) Ne faites jamais dépasser le réservoir. Laissez un espace d'un demi-pouce environ pour permettre l'expansion du carburant.
- (i) Remissez bien le capuchon d'essence.
- (j) En cas de débordement, essuyez toute éclaboussure de carburant ou d'huile et enlevez tous les débris imbibés d'essence. Déplacez la machine à une autre endroit. Attendez 5 (cinq) minutes avant de mettre en marche le moteur.
- (k) Ne remettez jamais la machine ou les bidons d'essence à l'intérieur s'il y a une flamme, une étincelle (châuffe-eau à gaz, radiateur, sèche-linge, etc.).
- (l) Limitez les risques d'incendie en débarrassant le moteur des brins d'herbe, feuilles et autres saletés. Essayez les éclaboussures de carburant ou d'huile et enlevez tous les débris imbibés d'essence. Laissez la machine refroidir pendant au moins 5 minutes avant de la remettre.

Les accidents provoqués par tomber et de glisser, qui se produisent souvent sur des pentes, peuvent causer des blessures graves.

UTILISATION SUR UNE PENTE

département de service à la clientèle.

En cas de situations qui ne sont pas mentionnées dans cette notice, soyez prudent et faites preuve de bon sens. Contactez votre département de service à la clientèle.

- Utilisez que des accessoires recommandés par le fabricant de la machine. Le non-respect de ce consigne peut causer des blessures graves.
- Le silencieux et le moteur deviennent très chauds et peuvent causer des brûlures. Ne touchez pas.
- N'utilisez que des accessoires recommandés par le fabricant de la machine. Le non-respect de ce consigne peut causer des blessures graves.
- Le silencieux et le moteur deviennent très chauds et peuvent causer des brûlures. Ne touchez pas.
- N'utilisez jamais la tondeuse sans avoir l'abattant de protection arrière, la goulotte d'éjection, un sac à herbe, la poignée de commande de la lame ou d'autres dispositifs de sécurité appropriés, en place et qui fonctionnent correctement. N'utilisez jamais la tondeuse avec des dispositifs de sécurité endommagés. Le non-respect de ces consignes peuvent causer des blessures graves.

- L'éloignez les enfants de la zone de travail et placez-les sous la surveillance d'un adulte autre que le conducteur de la machine.
- Restez vigilant et arrêtez la machine si des enfants s'approchent de la zone de travail.
- Regardez toujours derrière vous et par terre avant de reculer et en reculant.
- Faites très attention en approchant d'angles morts, de buissons, d'autres objets qui peuvent gêner votre visibilité.
- Tenez des enfants loin de moteurs chauds ou tournants. Ils peuvent subir des brûlures graves d'un silencieux chaud.

Ne permettez jamais à des enfants de moins de 14 ans d'utiliser la tondeuse. Des adultes-centés âgés de 14 ans ou plus doivent lire la notice d'utilisation, bien comprendre le fonctionnement de la machine et respecter les consignes de sécurité. Ils doivent apprendre à utiliser la machine et s'en servir sous la surveillance étroite d'un adulte.

ENFANT

- Un accident grave risque de se produire si le conducteur n'est pas toujours vigilant en présence d'enfants. Les enfants sont attirés par la machine et la tondeuse. Ils ne comprennent pas les dangers. Ne supposez jamais qu'ils vont rester là où vous les avez vus.
- Éloignez les enfants de la zone de travail et placez-les sous la surveillance d'un adulte autre que le conducteur de la machine.
- Restez vigilant et arrêtez la machine si des enfants s'approchent de la zone de travail.
- Regardez toujours derrière vous et par terre avant de reculer et en reculant.
- Faites très attention en approchant d'angles morts, de buissons, d'autres objets qui peuvent gêner votre visibilité.
- Tenez des enfants loin de moteurs chauds ou tournants. Ils peuvent subir des brûlures graves d'un silencieux chaud.

À NE PAS FAIRE:

- Ne tondez pas de l'herbe mouillée. La traction réduite peut provoquer un dérapage.
- Un accident grave risque de se produire si le conducteur n'est pas toujours vigilant en présence d'enfants. Les enfants sont attirés par la machine et la tondeuse. Ils ne comprennent pas les dangers. Ne supposez jamais qu'ils vont rester là où vous les avez vus.
- Éloignez les enfants de la zone de travail et placez-les sous la surveillance d'un adulte autre que le conducteur de la machine.
- Restez vigilant et arrêtez la machine si des enfants s'approchent de la zone de travail.
- Regardez toujours derrière vous et par terre avant de reculer et en reculant.
- Faites très attention en approchant d'angles morts, de buissons, d'autres objets qui peuvent gêner votre visibilité.
- Tenez des enfants loin de moteurs chauds ou tournants. Ils peuvent subir des brûlures graves d'un silencieux chaud.

À FAIRE:

- Travaillez sur un terrain en pente demande des précautions supplémentaires. Si vous ne sentez pas à l'aise sur la pente, n'y travaillez pas. Par mesure de sécurité utilisez l'inclinomètre fourni dans la notice d'utilisation pour mesurer la pente du terrain avant de commencer à travailler. Si selon l'inclinomètre, la pente est supérieure à 15°, n'utilisez pas la tondeuse pour éviter toute blessure grave.
- Travaillez parallèlement à la pente, jamais perpendiculairement. Faites très attention en changeant de direction sur une pente.
- Faites attention aux trous et ornières. La machine peut se retourner sur un terrain accidenté. Des herbes hautes peuvent cacher des obstacles.
- Vérifier toujours votre équilibre. Vous risquez de glisser et de tomber et de vous blesser grièvement. Si vous sentez que vous allez perdre votre équilibre, lâchez immédiatement le guidon, et la lame arrêtera de tourner dans trois secondes.
- Arrêtez la lame avant de traverser des allées, trottoirs ou chemins recouverts de gravier.
- Si la machine commence à vibrer d'une manière anormale, arrêtez le moteur et cherchez-en immédiatement la cause. En général, toute vibration indique un problème.
- Arrêtez le moteur et attendez que la lame se soit immobilisée avant de détacher le sac à herbe ou de déboucher la goulotte. La lame continue à tourner pendant quelques secondes après que le moteur s'est éteint. Ne placez jamais aucune partie du corps dans le secteur de la lame avant que vous ne soyez sûr que la lame a arrêté de tourner.
- N'utilisez jamais la tondeuse sans avoir l'abattant de protection arrière, la goulotte d'éjection, un sac à herbe, la poignée de commande de la lame ou d'autres dispositifs de sécurité appropriés, en place et qui fonctionnent correctement. N'utilisez jamais la tondeuse avec des dispositifs de sécurité endommagés. Le non-respect de ces consignes peuvent causer des blessures graves.

- Assurez-vous de lire et de bien comprendre toutes les instructions qui figurent sur la machine et dans la notice d'utilisation avant de la mettre en marche. Conservez cette notice d'utilisation à un endroit sûr pour toute consultation ultérieure et pour commander des pièces de rechange.
 - Familiarisez-vous avec les commandes et la bonne utilisation de cette machine avant de vous en servir. Apprenez à arrêter la machine et à débrancher rapidement les commandes.
 - Ne permettez jamais à des enfants de moins de 14 ans de se servir de la machine. Des adolescents plus âgés doivent lire la notice d'utilisation, bien comprendre le fonctionnement de la machine et respecter les consignes de sécurité. Ils doivent apprendre à utiliser la machine et s'en servir sous la surveillance étroite d'un adulte.
 - Ne permettez jamais à des adultes ne connaissant pas bien le fonctionnement de la machine de s'en servir.
 - Pour éviter tout risque de contact avec la lame ou de blessure par un projectile, éloignez les enfants, passants et autres à au moins 75 pieds de la tondeuse pendant qu'elle fonctionne. Arrêtez la machine si quelqu'un s'approche.
 - Examinez soigneusement la zone de travail. Ramassez tous les pierres, bâtons, fil métalliques os, jouets et autres objets qui pourraient vous trébucher ou qui risquent d'être ramassés et projetés par la lame. Les objets projetés par la machine peuvent causer des blessures graves.
 - Prévoyez de travailler en évitant de projeter l'herbe vers des rues, des trottoirs, des spectateurs, etc. Évitez d'éjecter l'herbe en direction d'un mur ou d'un obstacle. De cette façon, les débris éventuels ne risquent pas de ricocher et de blesser quelqu'un.
- avant de faire démarrer le moteur.
- Dégagez le dispositif d'auto-projection ou l'embrayage d'entrainement, le cas échéant, projeter des objets.
 - L'absence du clapet de la goulotte d'éjection ou un clapet endommagé peut causer des blessures en cas de contact avec la lame ou projeter des objets.
 - Ne placez jamais vos mains ou vos pieds près d'une pièce en mouvement ou sous le plateau de coupe. La lame peut amputer mains et pieds.
 - Utilisez jamais la tondeuse en état d'ébréché ou si vous prenez des médicaments ralentissant les réactions.
 - Répétez selon les besoin.
- (d) Remontez le bras seulement.
- (c) Reculez la tondeuse lentement et d'une manière sûre.
- (b) Assurez votre stabilité.
- (a) Éloignez-vous de la tondeuse à bout de bras.
- Portez toujours des lunettes de sécurité en utilisant la machine ou en effectuant un réglage ou une réparation. Les objets risquent de ricocher et de blesser grièvement quelqu'un dans les yeux.
 - Portez des chaussures robustes à semelle épaisse et des vêtements bien ajustés. Une chemise et un pantalon qui protègent les bras et les jambes et des chaussettes à bout marchant. S'il faut reculer la tondeuse près d'un mur d'un autre obstacle, regardez d'abord par terre et derrière vous, puis procédez comme suit:
 - Éloignez-vous de la tondeuse à bout de bras.
 - Ne tirez jamais la tondeuse vers vous en marchant. S'il faut reculer la tondeuse près d'un mur d'un autre obstacle, regardez d'abord par terre et derrière vous, puis vous tombez. Lâchez immédiatement le guidon.
 - De nombreuses blessures se produisent lorsque la tondeuse passe sur le pied à la suite d'une chute. Ne retenez pas la tondeuse si vous tombez. Lâchez immédiatement le guidon.
 - Ne permettez jamais à des enfants de moins de 14 ans de se servir de la machine. Des adolescents plus âgés doivent lire la notice d'utilisation, bien comprendre le fonctionnement de la machine et respecter les consignes de sécurité. Ils doivent apprendre à utiliser la machine et s'en servir sous la surveillance étroite d'un adulte.
 - Familiarisez-vous avec les commandes et la bonne utilisation de cette machine avant de vous en servir. Apprenez à arrêter la machine et à débrancher rapidement les commandes.
 - Assurez-vous de lire et de bien comprendre toutes les instructions qui figurent sur la machine et dans la notice d'utilisation avant de la mettre en marche. Conservez cette notice d'utilisation à un endroit sûr pour toute consultation ultérieure et pour commander des pièces de rechange.
 - Familiarisez-vous avec les commandes et la bonne utilisation de cette machine avant de vous en servir. Apprenez à arrêter la machine et à débrancher rapidement les commandes.
 - Ne permettez jamais à des enfants de moins de 14 ans de se servir de la machine. Des adolescents plus âgés doivent lire la notice d'utilisation, bien comprendre le fonctionnement de la machine et respecter les consignes de sécurité. Ils doivent apprendre à utiliser la machine et s'en servir sous la surveillance étroite d'un adulte.
 - Ne permettez jamais à des adultes ne connaissant pas bien le fonctionnement de la machine de s'en servir.
 - Pour éviter tout risque de contact avec la lame ou de blessure par un projectile, éloignez les enfants, passants et autres à au moins 75 pieds de la tondeuse pendant qu'elle fonctionne. Arrêtez la machine si quelqu'un s'approche.
 - Examinez soigneusement la zone de travail. Ramassez tous les pierres, bâtons, fil métalliques os, jouets et autres objets qui pourraient vous trébucher ou qui risquent d'être ramassés et projetés par la lame. Les objets projetés par la machine peuvent causer des blessures graves.
 - Prévoyez de travailler en évitant de projeter l'herbe vers des rues, des trottoirs, des spectateurs, etc. Évitez d'éjecter l'herbe en direction d'un mur ou d'un obstacle. De cette façon, les débris éventuels ne risquent pas de ricocher et de blesser quelqu'un.

UTILISATION EN GÉNÉRAL

DANGER: Cette machine doit être utilisée conformément aux consignes de sécurité qui figurent dans la notice d'utilisation. Comme avec tout appareil motorisé, une négligence ou une erreur de la part de l'utilisateur peut entraîner des blessures graves. Cette machine peut amputer mains et pieds et projeter des débris. Par conséquent, le non-respect de ces consignes peut causer des blessures corporelles graves et même mortelles.



AVERTISSEMENT: Ce symbole attire votre attention sur d'importantes consignes de sécurité qui, si elles ne sont pas respectées, peuvent mettre en danger votre propre sécurité et celle d'autrui et/ou causer des dégâts matériels. Veuillez lire et suivre attentivement toutes les instructions de cette notice avant d'essayer d'utiliser la machine. Quand vous voyez ce symbole ⚠, tenez compte de l'avertissement.



CONSIGNES DE SÉCURITÉ

Cette machine a été inspectée en vertu de la liste de contrôle de la qualité établie par le fabricant. En cas de divergence, veuillez vous téléphoner. Nous ferons notre possible pour expédier la ou les pièces par messagerie dans un délai d'un jour ouvrable à compter de votre appel.

2 SERVICE APRÈS-VENTE.

2 TABLE DES MATIÈRES.

3 CONSIGNES DE SÉCURITÉ.

6 INCLINOMÈTRE.

7 DÉBALLAGE.

7 ASSEMBLAGE.

9 COMMANDES.

10 UTILISATION.

12 RÉGLAGES.

13 LUBRIFICATION.

13 ENTRETIEN.

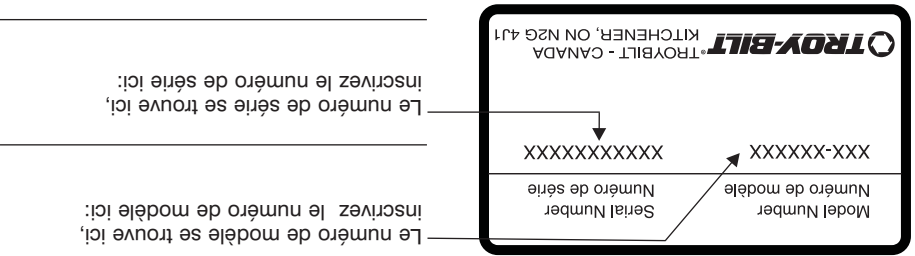
15 ENTREPOSAGE HORS SAISON.

16 GUIDE DE DÉPANNAGE.

17 PIÈCES DÉTACHÉES (Consultez la page 16 de la version anglaise de cette notice d'utilisation).

17 GARANTIE.

TABLE DES MATIÈRES



NOTE: Bien que les deux numéros soient importants, vous ne devez enregistrer que le numéro de série avant de pouvoir poursuivre votre consultation.

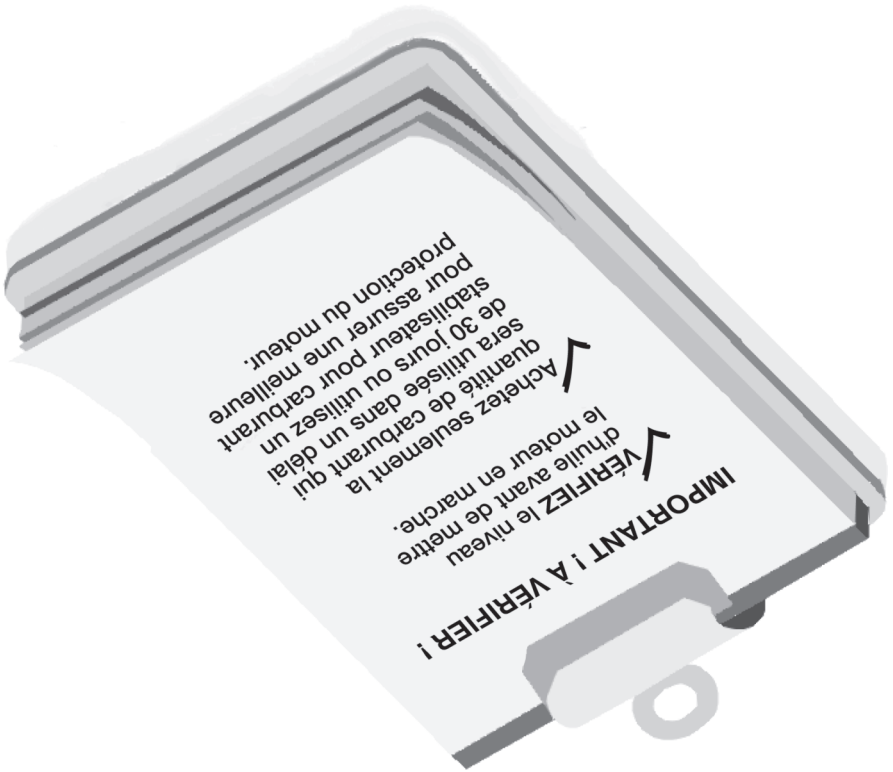
- Préparez vos numéros de modèle et de série avant de téléphoner.
- Si l'assemblage de cette machine nous pose des problèmes ou pour toute question concernant les commandes, le fonctionnement ou l'entretien de la machine, téléphonez au service après-vente.
- **IMPORTANT:** Vous devez fournir ces numéros, ainsi que la date et la preuve d'achat, pour bénéficier de tout service sous garantie.

ci-dessous.

AVANT DE FAIRE APPEL AU SERVICE APRÈS-VENTE, LOCALISEZ LE NUMÉRO DE MODÈLE ET LE NUMÉRO DE SÉRIE - Inscrivez ces renseignements dans l'espace

SERVICE APRÈS-VENTE

IMPORTANT:
Lisez attentivement les règles de sécurité et les instructions.



ASSEMBLAGE FONCTIONNEMENT ENTRETIEN

Manuel du propriétaire



Free Manuals Download Website

<http://myh66.com>

<http://usermanuals.us>

<http://www.somanuals.com>

<http://www.4manuals.cc>

<http://www.manual-lib.com>

<http://www.404manual.com>

<http://www.luxmanual.com>

<http://aubethermostatmanual.com>

Golf course search by state

<http://golfingnear.com>

Email search by domain

<http://emailbydomain.com>

Auto manuals search

<http://auto.somanuals.com>

TV manuals search

<http://tv.somanuals.com>