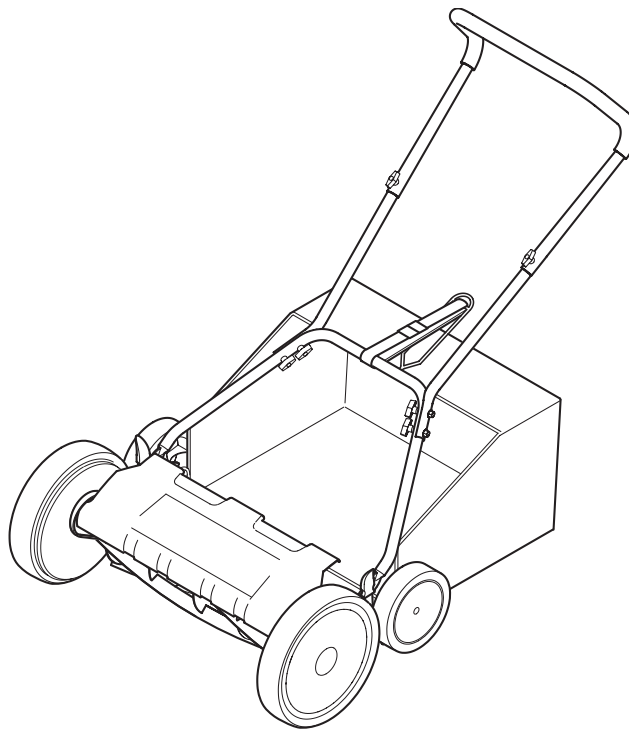




OPERATOR'S MANUAL



Reel Mower — TBR16 & TBR18

⚠ WARNING

**READ AND FOLLOW ALL SAFETY RULES AND INSTRUCTIONS IN THIS MANUAL
BEFORE ATTEMPTING TO OPERATE THIS MACHINE.
FAILURE TO COMPLY WITH THESE INSTRUCTIONS MAY RESULT IN PERSONAL INJURY.**

TROY-BILT LLC, P.O. BOX 361131 CLEVELAND, OHIO 44136-0019

Form No. 769-06425A
(October 21, 2010)

Thank You

Thank you for purchasing a Troy-Bilt Reel Mower. It was carefully engineered to provide excellent performance when properly operated and maintained.

Please read this entire manual prior to operating the equipment. It instructs you how to safely and easily set up, operate and maintain your machine. Please be sure that you, and any other persons who will operate the machine, carefully follow the recommended safety practices at all times. Failure to do so could result in personal injury or property damage.

All information in this manual is relative to the most recent product information available at the time of printing. Review this manual frequently to familiarize yourself with the machine, its features and operation. Please be aware that this Operator's Manual may cover a range of product specifications for various models. Characteristics and features discussed and/or illustrated in this manual may not be applicable to all models. We reserve the right to change product specifications, designs and equipment without notice and without incurring obligation.

If you have any problems or questions concerning the machine, phone a authorized Troy-Bilt service dealer or contact us directly. Troy-Bilt's Customer Support telephone numbers, website address and mailing address can be found on this page. We want to ensure your complete satisfaction at all times.

Throughout this manual, all references to *right* and *left* side of the machine are observed from the operating position

Table of Contents

Safe Operation Practices	3	Illustrated Parts List	10
Assembly & Set-Up	5	Warranty	13
Operation.....	7		
Maintenance & Adjustment.....	8		

Record Product Information

Before setting up and operating your new equipment, please locate the model plate on the equipment and record the information in the provided area to the right. You can locate the model plate by looking near the machine's right wheel. This information will be necessary, should you seek technical support via our web site, Customer Support Department, or with a local authorized service dealer.

MODEL NUMBER

--	--	--	--	--	--	--	--	--	--	--	--

SERIAL NUMBER

--	--	--	--	--	--	--	--	--	--	--	--

Customer Support

Please do NOT return the machine to the retailer or dealer without first contacting the Customer Support Department.

If you have difficulty assembling this product or have any questions regarding the controls, operation, or maintenance of this machine, you can seek help from the experts. Choose from the options below:

- ◇ Visit us on the web at www.troybilt.com
- ◇ Call a Customer Support Representative at (800) 828-5500 or (330) 558-7220
- ◇ Write to Troy-Bilt LLC • P.O. Box 361131 • Cleveland, OH • 44136-0019



WARNING: This symbol points out important safety instructions which, if not followed, could endanger the personal safety and/or property of yourself and others. Read and follow all instructions in this manual before attempting to operate this machine. Failure to comply with these instructions may result in personal injury.

When you see this symbol. **HEED ITS WARNING!**



DANGER: This machine was built to be operated according to the safe operation practices in this manual. Carelessness or error on the part of the operator can result in serious injury. This machine is capable of amputating fingers and toes and throwing objects. Failure to observe the following safety instructions could result in serious injury.

General Operation

1. Read this operator's manual carefully in its entirety before attempting to assemble this machine. Read, understand, and follow all instructions on the machine and in the manual(s) before operation. Keep this manual in a safe place for future and regular reference and for ordering replacement parts.
2. Be completely familiar with the proper use of this machine before operating it.
3. This machine is a precision piece of power equipment, not a plaything. Therefore, exercise extreme caution at all times. This machine has been designed to perform one job: to mow grass. Do not use it for any other purpose.
4. Never allow children under 10 years of age to operate this machine. Children 10 and over should read and understand the instructions and safe operation practices in this manual and on the machine and should be trained and supervised by an adult.
5. Only responsible individuals who are familiar with these rules of safe operation should be allowed to use this machine.
6. Thoroughly inspect the area where the equipment is to be used. Remove all stones, sticks, wire, bones, toys and other foreign objects.
7. To help avoid blade contact, stay in operator zone behind handles and keep children, bystanders, helpers and pets away from mower while it is in operation. Stop machine if anyone enters area.
8. Wear sturdy, rough-soled work shoes and close-fitting slacks and shirts. Shirts and pants that cover the arms and legs and steel-toed shoes are recommended. Never operate this machine in bare feet, sandals, slippery or light-weight (e.g. canvas) shoes.
9. Do not put hands or feet near rotating blades. Contact with blades can amputate fingers and toes.
10. Many injuries occur as a result of the mower being pulled over the foot during a fall caused by slipping or tripping. Do not hold on to the mower if you are falling; release the handle immediately.
11. Be careful when pulling the machine backward. Look down and behind to avoid tripping. Be sure you are well balanced with sure footing.
12. Do not operate the mower while under the influence of alcohol or drugs.
13. Never operate the mower in wet grass. Always be sure of your footing. A slip and fall can cause serious personal injury.
14. Mow only in daylight or good artificial light. Walk, never run.
15. The cutting blade may continue to rotate for a few seconds after the mower has stopped moving. Never place any part of the body in the blade area until you are sure the blade has stopped rotating.
16. Use safe lifting practices when moving mower.
17. Only use parts and accessories made for this machine by the manufacturer. Failure to do so can result in personal injury.
18. If situations occur which are not covered in this manual, use care and good judgement. Contact Customer Support for assistance or the name of the nearest service dealer.

Slope Operation

Slopes are a major factor related to slip and fall accidents, which can result in severe injury. Operation on slopes requires extra caution. If you feel uneasy on a slope, do not mow it. If the slope is greater than 15 degrees, do not mow it.

Do:

1. Mow across the face of slopes; never up and down. Exercise caution when changing direction on slopes.
2. Watch for holes, ruts, rocks, hidden objects, or bumps which can cause you to slip or trip. Tall grass can hide obstacles.
3. Always be sure of your footing. A slip and fall can cause serious personal injury.

Do Not:

1. Do not mow near drop-offs, ditches or embankments, you could lose your footing or balance.
2. Do not mow slopes greater than 15 degrees.
3. Do not mow on wet grass. Unstable footing could cause slipping.

Children

Tragic accidents can occur if the operator is not alert to the presence of small children. Children are often attracted to the mower and the mowing activity. Children younger than 10 years-old do not understand the dangers. Never assume that children will remain where you last saw them.

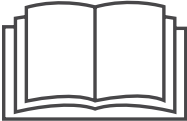
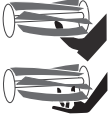

1. Keep children younger than 10 years-old out of the mowing area and under watchful care of a responsible adult other than the operator.
2. Be alert and stop mowing if a child or others enter the area.
3. Use extreme care when approaching blind corners, doorways, shrubs, trees, or other objects that may obscure your vision of a child who may run into the mower.
4. Never allow children under 10 years of age to operate this machine. Children 10 and over should read and understand the instructions and safe operation practices in this manual and on the machine and be trained and supervised by an adult.

Service

1. Mower blades are sharp and can cut. Wear gloves, and use extra caution when servicing them.
2. Keep all nuts, bolts, and screws tight to be sure the equipment is in safe working condition.
3. Never tamper with safety devices. Check their proper operation regularly.

Safety Symbols

This page depicts and describes safety symbols that may appear on this product. Read, understand, and follow all instructions on the machine before attempting to assemble and operate.

Symbol	Description
	READ THE OPERATOR'S MANUAL(S) Read, understand, and follow all instructions in the manual(s) before attempting to assemble and operate
	DANGER — ROTATING BLADES To reduce the risk of injury, keep hands and feet away.
	DANGER — BYSTANDERS Do not mow when children or others are around.

Contents of Crate

- One Upper Handle
- Six Carriage Bolts
- One Grass Catcher (TB R18 Only)
- Two Mid Handles
- Six Wing Knobs
- One Operator's Manual
- One Lower Handle
- Six Saddle Washers
- One Product Registration Card

Mower Set-Up

Attaching the Handle

1. Secure the upper handle to the mid handles with two carriage bolts, two saddle washers and two wing knobs. See Fig. 3-1.

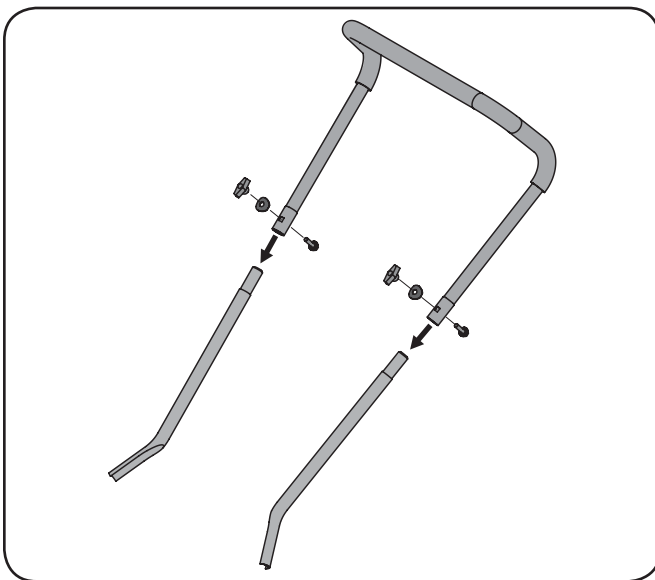


Figure 3-1

2. Secure the handle assembled in step 1 to the lower handle with four carriage bolts, four saddle washers and four wing knobs. See Fig. 3-2.
3. Position the complete handle assembly over the studs on the rear of the mower frame. See Fig. 3-3.

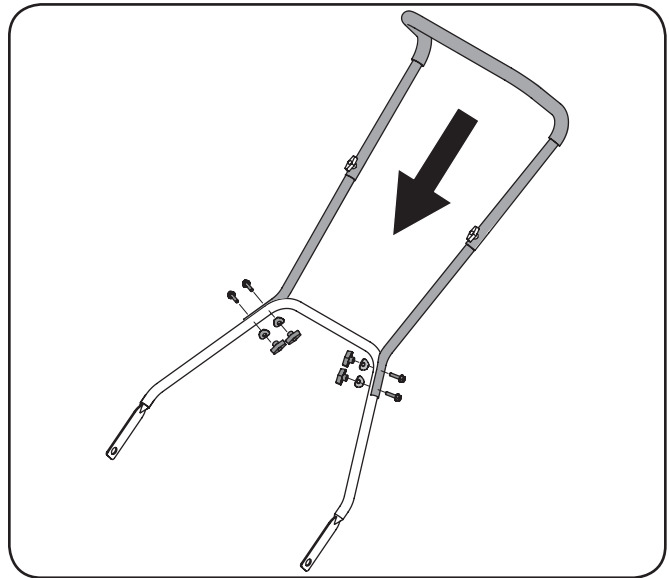


Figure 3-2

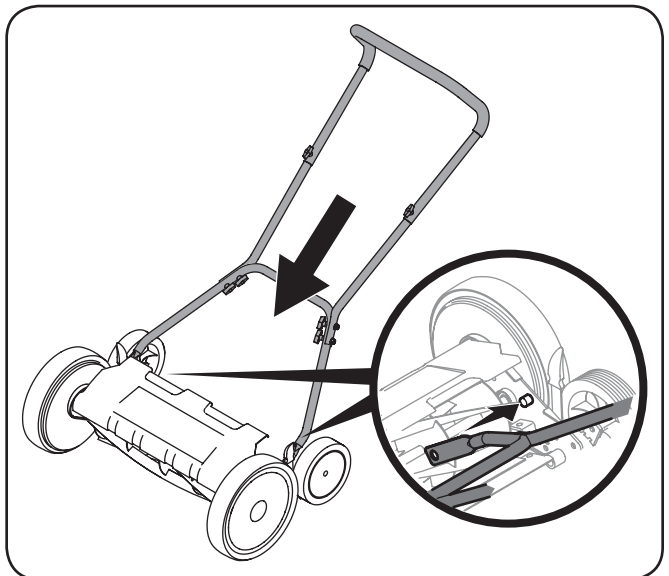


Figure 3-3

Adjusting the Cutting Height

The cutting height can be adjusted to between approximately $\frac{3}{4}$ -inch and $2\frac{1}{2}$ -inches.

1. Move the right-hand height adjustment lever outward and then position it forward (to lower the cutting height) or rearward (to raise the cutting height) before releasing it into the notch for your desired height. See Fig. 3-4.

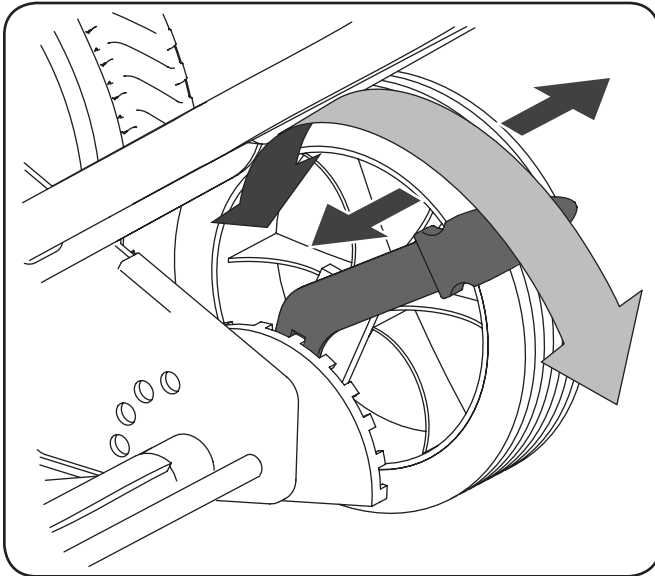


Figure 3-4

2. Repeat Step 1 on the left-hand side making sure to release the height adjustment lever into the corresponding notch.

Attaching the Grass Catcher (Model TBR18)

1. Expand the grass catcher from its collapsed position by opening up the hinges found on the inside of its frame.
2. Position the grass catcher hooks over the rod on the rear of the mower. See Fig. 3-5.

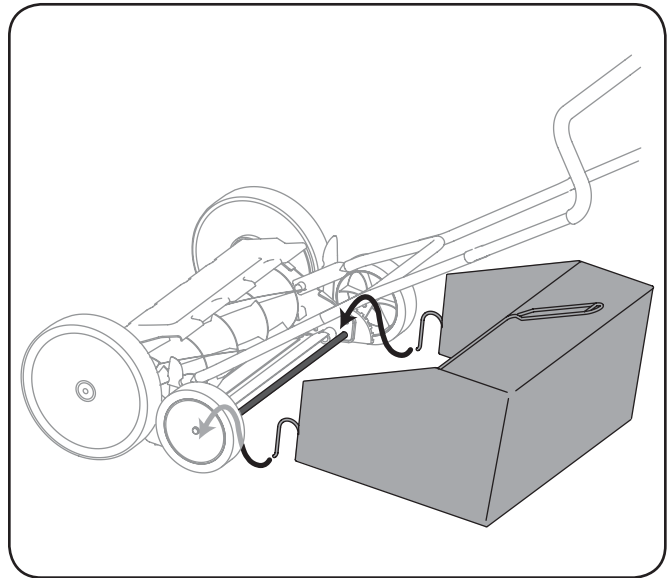


Figure 3-5

3. Position the strap through the grass catcher's handle and over the mower's lower handle crossbar to support the rear of the grass catcher. See Fig. 3-6. Adjust the length of the strap so that the bag is low to the ground but not dragging on the ground.

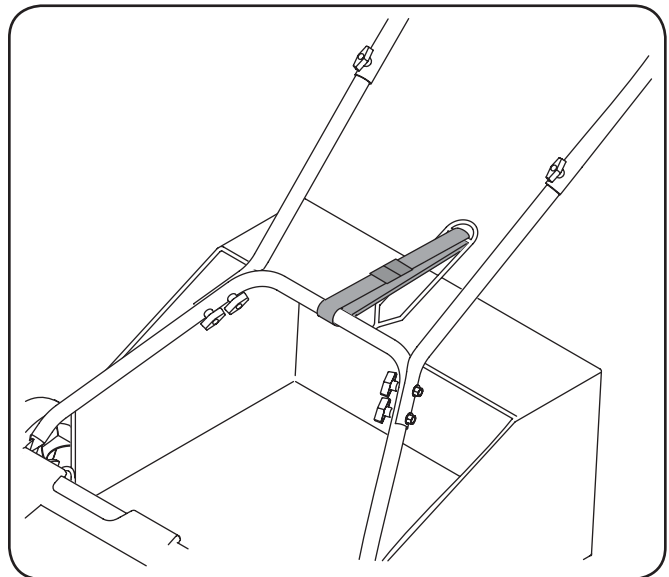


Figure 3-6

Using Your Lawn Mower

Please observe the following when operating your reel mower.

- Be sure lawn is clear of stones, sticks, wire, or other objects which could damage lawn mower or engine.



WARNING: The operation of any lawn mower can result in foreign objects being thrown into the eyes, which can damage your eyes severely. Always wear safety glasses while operating the mower, or while performing any adjustments or repairs on it.

- Mow the lawn when the grass is relatively dry. Attempting to mow wet grass can result in an uneven cut.
- Maintain a consistent walking pace while pushing the mower in straight passes.
- Slightly overlap each pass to even the cut and avoid leaving uncut strips.
- Mow the lawn regularly, at *least* once a week during the growing season. Mow more frequently than you would with a conventional rotary lawn mower.
- Always mow with the blade height adjusted to cut no more than $\frac{1}{3}$ the total height of grass.
- If the height of your lawn's grass exceeds four inches, adjust the blade height to its highest position before mowing. After mowing, readjust the blade to your preferred cutting height and mow the lawn a second time within the next one or two days.

Using Grass Catcher (Model TB R18)

You can use the grass catcher to collect clippings while you are operating the mower.

1. Attach grass catcher following instructions in the Assembly & Set-Up section. Grass clippings will automatically collect in catcher as you operate the mower. The faster you push the mower, the more effectively it will collect clippings. Operate the mower till grass catcher is full.
2. Remove the grass catcher's strap from the lower handle's crossbar and lift the grass catcher up and away from the mower to remove the bag. Dispose of the grass clippings and reinstall the bag when complete.



WARNING: If you strike a foreign object, thoroughly inspect mower for any damage. Repair any damage before operating.

Transporting the Mower

During normal operation, the blade reel will turn anytime the mower's front wheels are turning. To safely move the mower from one location to another without the blade reel turning, simply pivot the handle over the reel and push the mower

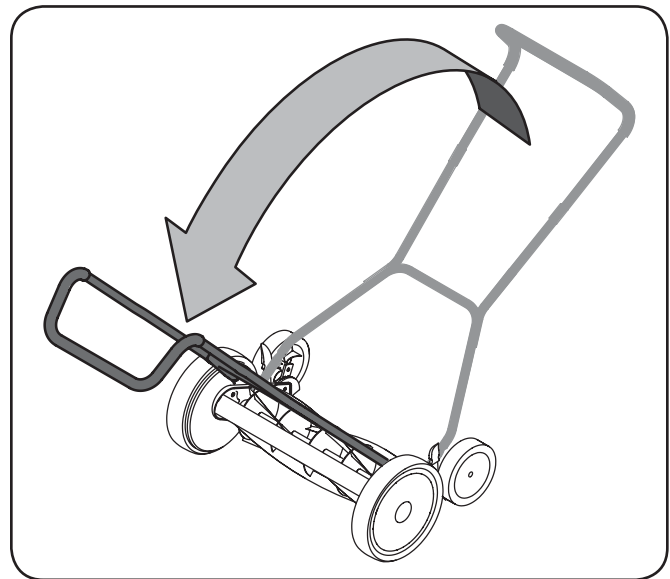


Figure 4-1

from the opposite side. See Fig. 4-1. Pushing the mower in this manner (transport mode) prohibits the blade reel from turning.

Maintenance

General Recommendations

- Always observe safety rules when performing any maintenance.
- The warranty on this lawn mower does not cover items that have been subjected to operator abuse or negligence. To receive full value from warranty, operator must maintain the lawn mower as instructed here.
- All adjustments should be checked at least once each season.
- Periodically check all fasteners and make sure these are tight.
- Regularly apply lubricant to mower's cutting surfaces, cutting reel axle shaft and wheels.

Cleaning the Mower

To prevent the build-up of grass clippings or other debris, clean the mower by wiping it down with a damp cloth after each use.

- Scrape and clean the mower with a suitable tool (e.g. a plastic scraper or brush).
- Do not use a pressure washer or garden hose to clean the mower.
- Remove deposits from the wheel tread.

Blade Care



WARNING: Mower blades are sharp and can cut. Wear gloves, and use extra caution when servicing them.

Periodically sharpen the blades as follows:

1. Spread a thin layer of lapping compound (100 - 240 grit) on the front edge of the reel blades.
2. Adjust the cutter bar so that the blade has light but firm contact across the full width of the cutter bar. Refer to Blade Clearance Adjustment later in this section.
3. Operate the mower on a paved surface until the front edge of the cutter bar blade is polished.
4. Clean any grinding compound or debris from the cutter bar blade, reel blade, pinions, and pawls.

Adjustments



WARNING: Mower blades are sharp and can cut. Wear gloves, and use extra caution when servicing them. Any wheel rotation can cause the blade reel to rotate.

Blade Clearance Adjustment

The blade reel is adjusted for proper clearance from the cutting bar at the factory. However, after extended periods of mowing or as part of annual maintenance, it is recommended that the blade clearance be readjusted.

- If blade clearance is too wide, the cutting pattern will be rough and uneven.
- If blade clearance is too narrow, the machine will be noisy and difficult to push while operating.

To adjust blade clearance, proceed as follows:

1. Locate the adjustment bolts found on the underside of the cutting bar on the rear of the mower.
2. Using a 13mm wrench, tighten the adjustment bolts (one on each end) 1/4-turn. See Fig. 5-1.



CAUTION: Do not overtighten the adjusting screws, as this could damage the cutter bar. Tighten both screws during final adjustment.

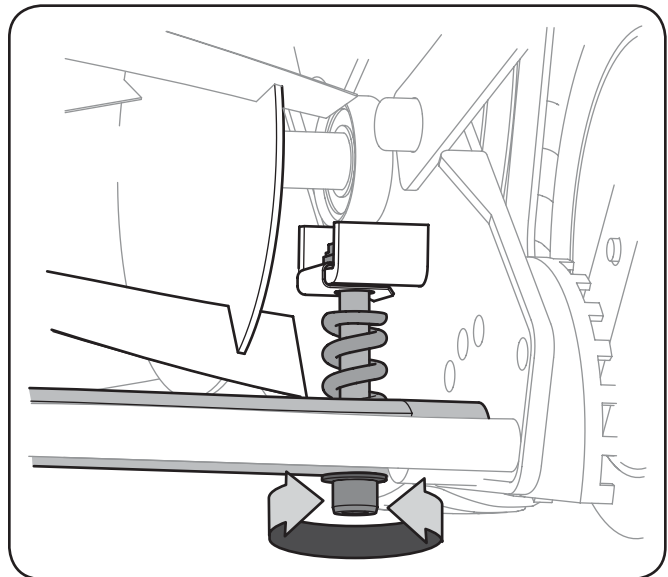


Figure 5-1

3. To test for proper adjustment:
 - a. Lean the mower all the way back so that it's resting on the handle.
 - b. Use one hand to slowly rotate the wheel of the mower, causing the blade reel to slowly turn. If the wheel is too difficult to turn, slightly loosen each adjustment screw.
 - c. While the blade reel is turning, insert a sheet of paper between the blade reel and the cutting bar. See Fig. 5-2. The paper should shear evenly along the entire length of the cutter bar, as if being cut by scissors. If the paper doesn't shear, slightly tighten each adjustment screw and repeat the test.

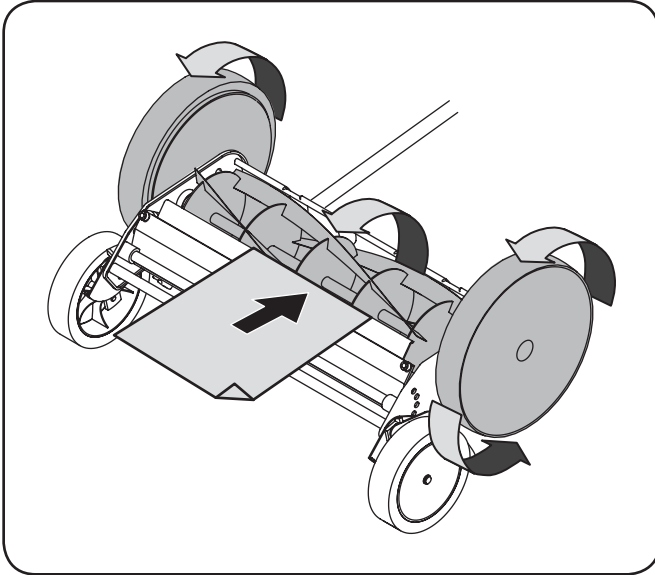
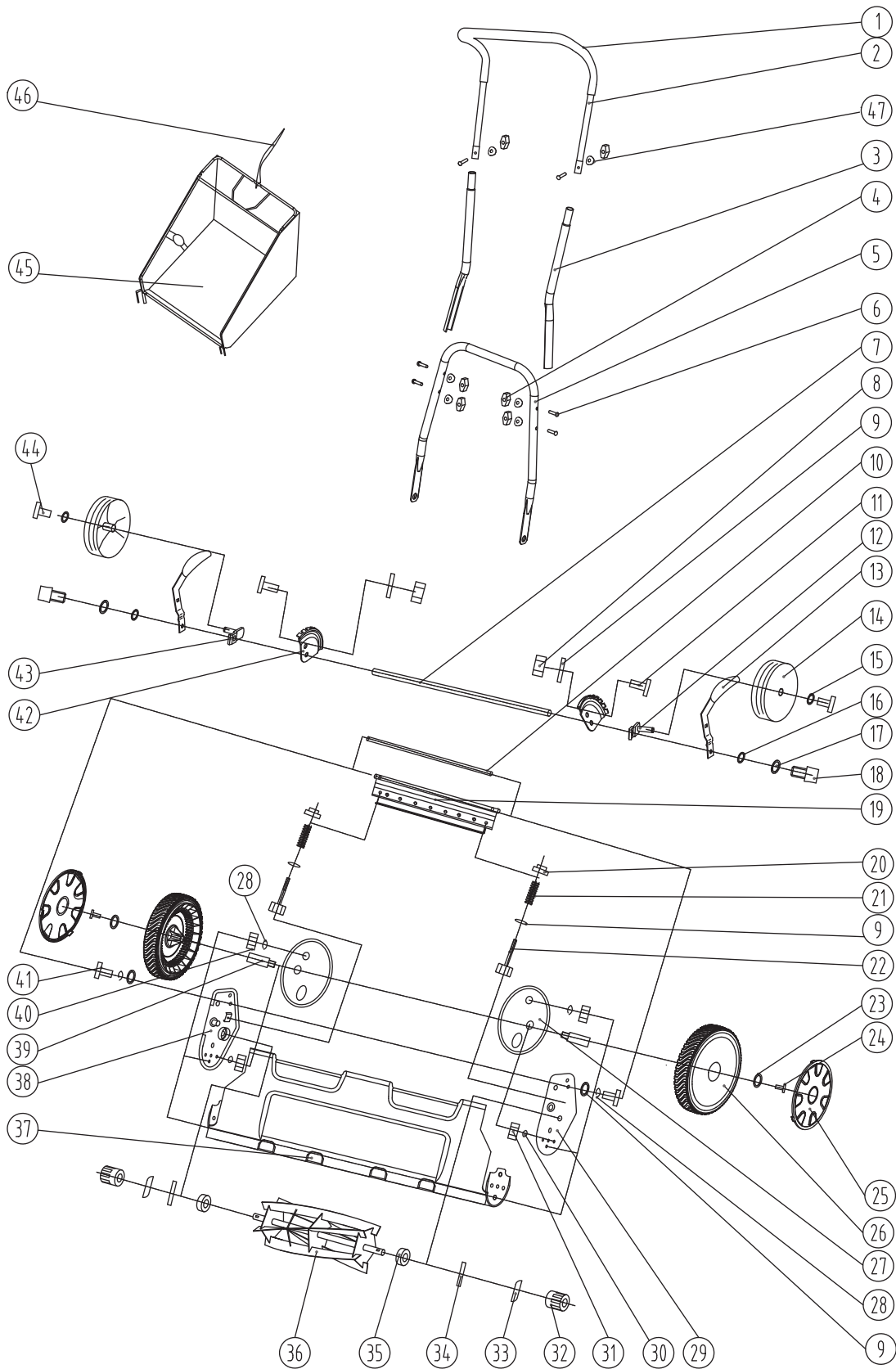


Figure 5-2

TB R16 & TB R18



Ref.	Part Number	Description
1	720-04167	Grip, Handle, 26 x 16 x 630
2	749-04811	Handle, Upper
3	749-04812	Handle, Middle
4	720-04168	Knob, Red
5	749-04813	Handle, Lower, TB R16
5	749-04814	Handle, Lower, TB R18
6	710-05321	Bolt, M6x35gb/T12
7	711-05530	Shaft, Rear, TB R16, Red
7	711-05532	Shaft, Rear, TB R18, Red
8	712-04292	Nut, M8, Gb/T6172.2
9	736-04563	Washer, 17 x 8.2 x 1.2
10	711-05534	Pin, TB R16
10	711-05535	Pin, TB R18
11	710-05322	Screw, M8-16gbt70.2
12	787-01959	Bracket, Rear, LH, Red
13	787-01960	Handle, Adjustment, Red
14	734-04605	Wheel, Rear
15	736-04564	Washer, 17 x 8.2 x 1.2
16	736-04565	Washer, Gb/T955
17	736-04566	Washer, 20 x 13 x 1
18	710-05323	Bolt, M8 x 24
19	787-01964	Bracket, Lower Blade, TB R16, Red
19	787-01966	Bracket, Lower Blade, TB R18, Red
20	712-04293	Nut, M8 x 1
21	732-04854	Spacer, 65mm, 17 x 4 x 48
22	710-05324	Bolt, M8 x 1 x 65
23	736-04567	Washer, 25 x 6.5 x 1.5

Ref.	Part Number	Description
24	710-05325	Bolt, M6x20, Gb/T5780
25	731-08253	Hub Cap
26	734-04606	Wheel, Complete
27	787-01968	Bracket, Red
28	736-04568	Washer, Spacer, Gb/T7244
29	787-01972	Bracket, Support, LH, Red
30	736-04569	Washer, 20x10.2x1.4
31	712-04294	Nut, M10, Gb/T6172.2
32	717-04917	Gear, 41mm, Pa66
33	787-01976	Support, 19 x 10 x 5
34	736-04570	Washer, 34 x 15.5 x 1
35	741-04514	Bearing, 6002z
36	742-04362	Blade, Roller, TB R16
36	742-04363	Blade, Roller, TB R18
37	787-01977	Shield, Deflector, TB R16
37	787-01979	Shield, Deflector, TB R18
38	787-01981	Bracket, Support, RH, Red
39	711-05536	Axle, Wheel, 19x65.5
40	712-04295	Nut, M8, Gb/T6170
41	710-05326	Bolt, M8x16gb/T5781
42	787-01985	Bracket, Adjustment, 9 Tooth RH
	787-01994	Bracket, Adjustment, 9 Tooth LH
43	787-01987	Bracket, Rear, RH, Red
44	710-05327	Bolt, M6x10 Gb/T5780
45	764-04132	Grass Bag, TB R18
46	727-04374	Strap, Grass Bag Hanger, TB R18
47	736-04573	Saddle Washer

MANUFACTURER'S LIMITED WARRANTY FOR



The limited warranty set forth below is given by Troy-Bilt LLC with respect to new merchandise purchased and used in the United States and/or its territories and possessions, and by MTD Products Limited with respect to new merchandise purchased and used in Canada and/or its territories and possessions (either entity respectively, "Troy-Bilt").

"Troy-Bilt" warrants this product (excluding its *Normal Wear Parts and Attachments* as described below) against defects in material and workmanship for a period of two (2) years commencing on the date of original purchase and will, at its option, repair or replace, free of charge, any part found to be defective in materials or workmanship. This limited warranty shall only apply if this product has been operated and maintained in accordance with the Operator's Manual furnished with the product, and has not been subject to misuse, abuse, commercial use, neglect, accident, improper maintenance, alteration, vandalism, theft, fire, water, or damage because of other peril or natural disaster. Damage resulting from the installation or use of any part, accessory or attachment not approved by Troy-Bilt for use with the product(s) covered by this manual will void your warranty as to any resulting damage.

Normal Wear Parts are warranted to be free from defects in material and workmanship for a period of thirty (30) days from the date of purchase. Normal wear parts include, but are not limited to items such as: batteries, belts, blades, blade adapters, tines, grass bags, wheels, rider deck wheels, seats, snow thrower skid shoes, friction wheels, shave plates, auger spiral rubber and tires.

Attachments — Troy-Bilt warrants attachments for this product against defects in material and workmanship for a period of one (1) year, commencing on the date of the attachment's original purchase or lease. Attachments include, but are not limited to items such as: grass collectors and mulch kits.

HOW TO OBTAIN SERVICE: Warranty service is available, WITH PROOF OF PURCHASE, through your local authorized service dealer. To locate the dealer in your area:

In the U.S.A.

Check your Yellow Pages, or contact Troy-Bilt LLC at P.O. Box 361131, Cleveland, Ohio 44136-0019, or call 1-866-840-6483, 1-330-558-7220 or log on to our Web site at www.troybilt.com.

In Canada

Contact MTD Products Limited, Kitchener, ON N2G 4J1, or call 1-800-668-1238 or log on to our Web site at www.mtdcanada.com.

This limited warranty does **not** provide coverage in the following cases:

- a. The engine or component parts thereof. These items may carry a separate manufacturer's warranty. Refer to applicable manufacturer's warranty for terms and conditions.
- b. Log splitter pumps, valves, and cylinders have a separate one-year warranty.

- c. Routine maintenance items such as lubricants, filters, blade sharpening, tune-ups, brake adjustments, clutch adjustments, deck adjustments, and normal deterioration of the exterior finish due to use or exposure.
- d. Service completed by someone other than an authorized service dealer.
- e. Troy-Bilt does not extend any warranty for products sold or exported outside of the United States and/or Canada, and their respective possessions and territories, except those sold through Troy-Bilt's authorized channels of export distribution.
- f. Replacement parts that are not genuine Troy-Bilt parts.
- g. Transportation charges and service calls.
- h. Troy-Bilt does not warrant this product for commercial use.

No implied warranty, including any implied warranty of merchantability or fitness for a particular purpose, applies after the applicable period of express written warranty above as to the parts as identified. No other express warranty, whether written or oral, except as mentioned above, given by any person or entity, including a dealer or retailer, with respect to any product, shall bind Troy-Bilt. During the period of the warranty, the exclusive remedy is repair or replacement of the product as set forth above.

The provisions as set forth in this warranty provide the sole and exclusive remedy arising from the sale. Troy-Bilt shall not be liable for incidental or consequential loss or damage including, without limitation, expenses incurred for substitute or replacement lawn care services or for rental expenses to temporarily replace a warranted product.

Some states do not allow the exclusion or limitation of incidental or consequential damages, or limitations on how long an implied warranty lasts, so the above exclusions or limitations may not apply to you.

In no event shall recovery of any kind be greater than the amount of the purchase price of the product sold. **Alteration of safety features of the product shall void this warranty.** You assume the risk and liability for loss, damage, or injury to you and your property and/or to others and their property arising out of the misuse or inability to use the product.

This limited warranty shall not extend to anyone other than the original purchaser or to the person for whom it was purchased as a gift.

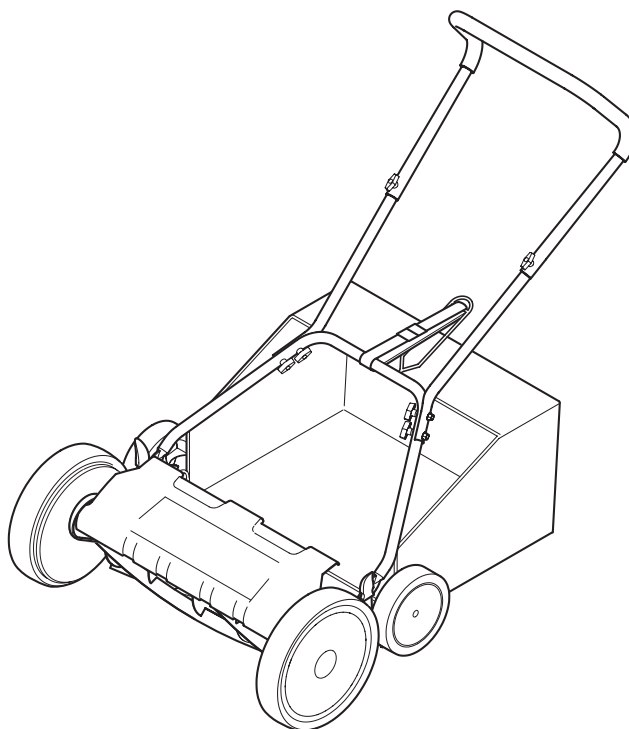
HOW STATE LAW RELATES TO THIS WARRANTY: This limited warranty gives you specific legal rights, and you may also have other rights which vary from state to state.

IMPORTANT: Owner must present Original Proof of Purchase to obtain warranty coverage.

**Troy-Bilt LLC, P.O. BOX 361131 CLEVELAND, OHIO 44136-0019; Phone: 1-866-840-6483, 1-330-558-7220
MTD Canada Limited - KITCHENER, ON N2G 4J1; Phone 1-800-668-1238**



MANUAL DEL OPERADOR



Cortadora de Césped de Cilindro — TBR16 & TBR18

⚠ ADVERTENCIA

LEA Y SIGA TODAS LAS INSTRUCCIONES DE ESTE MANUAL ANTES DE PONER EN
FUNCIONAMIENTO ESTA MÁQUINA.
SI NO RESPETA ESTAS INSTRUCCIONES PUEDE PROVOCAR LESIONES PERSONALES.

TROY-BILT LLC, P.O. BOX 361131 CLEVELAND, OHIO 44136-0019

Formulario No. 769-06425A
(Octubre 21, 2010)

Gracias

Gracias por comprar una Troy-Bilt máquina quitanieve. La misma ha sido diseñada cuidadosamente para brindar excelente rendimiento si se la opera y mantiene correctamente.

Por favor lea todo este manual antes de operar el equipo. Le indica cómo configurar, operar y mantener la máquina con seguridad y fácilmente. Por favor asegúrese de seguir cuidadosamente y en todo momento las prácticas de seguridad recomendadas, y hacérselas seguir a cualquier otra persona que opere la máquina. En caso de no hacerlo podrían producirse lesiones personales o daños materiales.

Toda la información contenida en este manual hace referencia a la más reciente información de producto disponible en el momento de la impresión. Revise el manual frecuentemente para familiarizarse con la unidad, sus características y funcionamiento. Por favor tenga en cuenta que este Manual del Operador puede cubrir una gama de especificaciones de productos de diferentes modelos. Las características y funciones incluidas y/o ilustradas en este manual pueden no ser aplicables a todos los modelos. Reservamos el derecho de modificar las especificaciones de los productos, los diseños y el equipo

estándar sin previo aviso y sin generar responsabilidad por obligaciones de ningún tipo.

Si tiene algún problema o duda respecto a la unidad, llame a un distribuidor de servicio Troy-Bilt autorizado o póngase en contacto directamente con nosotros. Los números de teléfono, dirección del sitio web y dirección postal de la Asistencia al Cliente de Troy-Bilt se encuentran en esta página. Queremos garantizar su entera satisfacción en todo momento.

En este manual, las referencias al lado *derecho* o *izquierdo* de la máquina se observan desde la posición del operador.

El fabricante del motor es el responsable de todas las cuestiones relacionadas con el rendimiento, potencia de salida, especificaciones, garantía y mantenimiento del motor. Para obtener mayor información consulte el Manual del Propietario / Operador entregado por el fabricante del motor, que se envía, en un paquete por separado, junto con su unidad.

Índice

Importante Medidas importantes de seguridad..	3	Mantenimiento y Ajustes.....	8
Ensamblado y Configuración.....	5	Garantía	Cubierta Posterior
Funcionamiento	7		

Registro de información de producto

Antes de configurar y operar su equipo nuevo, por favor localice la placa del modelo en el equipo y registre la información en el área situada a la derecha. Para encontrar la placa de modelo, colóquese detrás de la unidad en la posición del operador y mire hacia la parte inferior de la sección trasera del chasis. Si tiene que solicitar soporte técnico a través de nuestro sitio web, el Departamento de Asistencia al Cliente, o de un distribuidor de servicio autorizado local, necesitará esta información.

NÚMERO DE MODELO

--	--	--	--	--	--	--	--	--	--	--	--

NÚMERO DE SERIE

--	--	--	--	--	--	--	--	--	--	--	--

Asistencia al Cliente

Por favor, NO devuelva la unidad al minorista o distribuidor sin ponerse en contacto primero con el Departamento de Asistencia al Cliente.

En caso de tener problemas para montar este producto o de tener dudas con respecto a los controles, funcionamiento o mantenimiento del mismo, puede solicitar la ayuda de expertos. Elija entre las opciones que se presentan a continuación:

- ◇ Visite nuestro sitio web en www.troybilt.com
- ◇ Llame a un representante de Asistencia al Cliente al (800) 828-5500 ó (330) 558-7220
- ◇ Escríbanos a Troy-Bilt LLC • P.O. Box 361131 • Cleveland, OH • 44136-0019



ADVERTENCIA: La presencia de este símbolo indica que se trata de instrucciones de seguridad importantes que debe respetar para evitar poner en riesgo su seguridad personal y/o material y la de los demás. Lea y cumpla todas las instrucciones de este manual antes de intentar operar esta máquina. Si no respeta estas instrucciones puede provocar lesiones personales. Cuando vea este símbolo. **¡TENGA EN CUENTA LAS ADVERTENCIAS!**



PELIGRO: Esta máquina está diseñada para ser utilizada respetando las normas de seguridad contenidas en este manual. Un descuido o error por parte del operador puede ocasionar lesiones graves. Esta máquina es capaz de amputar dedos de las manos y los pies y de arrojar objetos con gran fuerza. De no respetar las instrucciones de seguridad siguientes se pueden producir lesiones graves o la muerte.

Funcionamiento general

1. Lea y siga todas las instrucciones contenidas en este manual antes de intentar ensamblar esta máquina. Lea, comprenda y respete todas las instrucciones que figuran en la máquina y en el o los manuales antes de hacerla funcionar. Guarde este manual en un lugar seguro para consultas futuras y periódicas, así como para solicitar repuestos.
2. Antes de hacer funcionar este equipo, familiarícese totalmente con el uso correcto del mismo.
3. Esta máquina es un equipo motorizado de precisión, no un juguete. Por lo tanto, tenga mucho cuidado en todo momento. Esta máquina fue diseñada para realizar una tarea: cortar el césped. No la utilice para ningún otro fin.
4. No permita nunca que los niños menores de 10 años utilicen esta máquina. Los niños de 10 años en adelante deben leer y entender las instrucciones de operación y normas de seguridad contenidas en este manual y en la máquina y deben ser entrenados y supervisados por un adulto.
5. Sólo se debe permitir usar esta máquina a individuos responsables y familiarizados con sus reglas de seguridad.
6. Inspeccione minuciosamente el área donde utilizará el equipo. Retire todas las piedras, palos, alambre, huesos, juguetes y otros objetos extraños.
7. Para ayudar a evitar el contacto con las cuchillas, manténgase en la zona del operador detrás de la barra de control y mantenga a los niños, observadores, ayudantes y mascotas apartados de la podadora mientras está funcionando. Detenga la máquina si alguien entra en el área.
8. Utilice zapatos de trabajo resistentes, de suela fuerte, así como pantalones y camisas ajustados. Se recomienda vestir camisa y pantalón para cubrir brazos y piernas y usar zapatos con puntera de acero. Nunca opere esta máquina con los pies desnudos, con sandalias o calzado con el que pueda resbalar o con zapatos ligeros (por ejemplo, calzado de lona).
9. No coloque las manos ni los pies cerca de las cuchillas giratorias. El contacto con las cuchillas puede amputarle los dedos de las manos o los pies.
10. Muchas lesiones ocurren como resultado de pasar la cortadora sobre los pies durante una caída luego de resbalar o tropezar. No se sostenga de la cortadora si se está cayendo, suelte la barra de control inmediatamente.
11. Sea precavido al tirar de la máquina hacia atrás. Mire hacia abajo y atrás para evitar tropezarse. Asegúrese que está bien equilibrado y bien parado.
12. No opere esta cortadora bajo los efectos del alcohol o las drogas.
13. Nunca opere la podadora en césped húmedo. Siempre esté seguro de estar bien parado. Si resbala y cae puede lesionarse seriamente.
14. Corte el césped solamente con luz de día o con una buena luz artificial. Camine, nunca corra.
15. La cuchilla puede continuar rotando unos cuantos segundos más después de que la máquina deja de moverse. Nunca coloque ninguna parte del cuerpo en el área de la cuchilla hasta que esté seguro de que la misma ha detenido su movimiento giratorio.
16. Use medidas de elevación seguras para mover la podadora.
17. Utilice solamente piezas y accesorios manufacturados para esta máquina por el fabricante. De lo contrario podrían producirse lesiones personales.
18. Si se presentan situaciones que no están previstas en este manual, tenga cuidado y use el sentido común. Póngase en contacto con Asistencia al Cliente para solicitar ayuda o el nombre del distribuidor de servicio más cercano.

Funcionamiento en pendientes

Las pendientes son un factor importante que se relaciona con los accidentes producidos por derrapes y caídas y pueden producir lesiones graves. La operación en pendiente requiere mucha precaución. Si no se siente seguro en una pendiente, no corte el césped. Si la pendiente supera los 15 grados, no corte el césped.

Haga lo siguiente:

1. Corte en sentido transversal a la cara de la pendiente, nunca hacia arriba y abajo. Tenga mucho cuidado al cambiar de dirección en una pendiente.

2. Esté atento a los agujeros, raíces, rocas, objetos ocultos o abultamientos que puedan hacerlo resbalar o tropezar. El césped alto puede ocultar obstáculos.
3. Siempre esté seguro de estar bien parado. Si resbala y cae puede lesionarse seriamente.

No haga lo siguiente:

1. No corte el césped cerca de caídas, zanjas o terraplenes, puede perder el equilibrio.
2. No pade las pendientes que superen los 15 grados.
3. No corte el césped mojado. Si no está firmemente parado, puede resbalarse.

Niños

Pueden ocurrir accidentes trágicos si el operador no está atento a la presencia de niños. Por lo general a los niños les atraen las podadoras y la actividad de podar el césped. Los niños menores de 10 años no comprenden los peligros. Nunca suponga que los niños permanecerán en el lugar donde los vio por última vez.

1. Mantenga a los niños menores de 10 años fuera del área de trabajo y bajo estricta vigilancia de un adulto responsable además del operador.
2. Esté alerta y pare la podadora si un niño u otras personas ingresan al área.

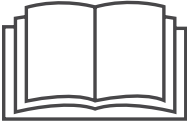
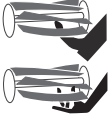

3. Tenga mucho cuidado cuando se aproxime a las esquinas ciegas, puertas, arbustos, árboles u otros objetos que puedan obstaculizarle la vista de un niño que pudiese correr hacia la cortadora.
4. No permita nunca que los niños menores de 10 años utilicen esta máquina. Los niños de 10 años en adelante deben leer y entender las instrucciones de operación y normas de seguridad contenidas en este manual y en la máquina y deben ser entrenados y supervisados por un adulto.

Servicio

1. Las cuchillas de las cortadoras son muy filosas y podría cortarse. Utilice guantes y extreme las precauciones cuando efectúe el mantenimiento.
2. Mantenga todos los pernos, tuercas y tornillos bien ajustados para asegurarse de que la máquina se encuentra en condiciones seguras de funcionamiento.
3. Nunca altere los dispositivos de seguridad. Controle periódicamente que funcionen correctamente.

Símbolos de seguridad

En esta página se presentan y describen los símbolos de seguridad que pueden aparecer en este producto. Lea, entienda y cumpla todas las instrucciones incluidas en la máquina antes de intentar realizar el montaje de la unidad y utilizarla.

Símbolo	Descripción
	LEA LOS MANUALES DEL OPERADOR Lea, entienda y cumpla todas las instrucciones incluidas en los manuales antes de realizar el montaje de la unidad y utilizarla.
	PELIGRO — CUCHILLAS GIRATORIAS reducir el riesgo de lesiones, mantenga las manos y los pies alejados.
	PELIGRO — OBSERVADORES podar el césped cuando hay niños u otras personas alrededor.

Contenido del cajón

- Una barra de control superior
- Seis pernos del carro
- Un colector de césped (TB R18 únicamente)
- Dos barras de control intermedias
- Seis perillas de aletas
- Un Manual del operador
- Una barra de control inferior
- Seis arandelas cóncavas
- Una tarjeta para registrar el producto

Configuración de la podadora de césped

Acople de la barra de control

1. Sujete la barra de control superior a las barras de control intermedias con dos pernos del carro, dos arandelas cóncavas y dos perillas de aletas. Consulte la Fig. 3-1.

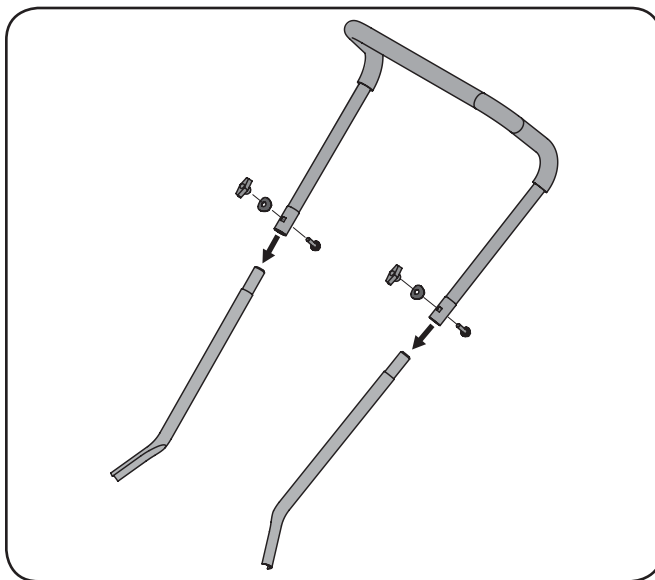


Figura 3-1

2. Sujete la barra que se ensambló en el paso 1, a la barra de control inferior con cuatro pernos del carro, cuatro arandelas cóncavas y cuatro perillas de aletas. Consulte la Fig. 3-2.
3. Ubique la unidad completa de la barra de control sobre los pernos que están en la parte posterior del bastidor de la podadora. Consulte la Fig. 3-3.

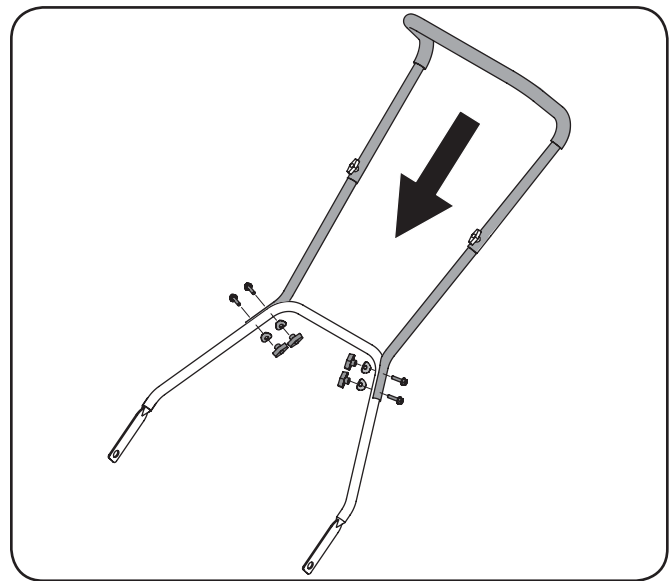


Figura 3-2

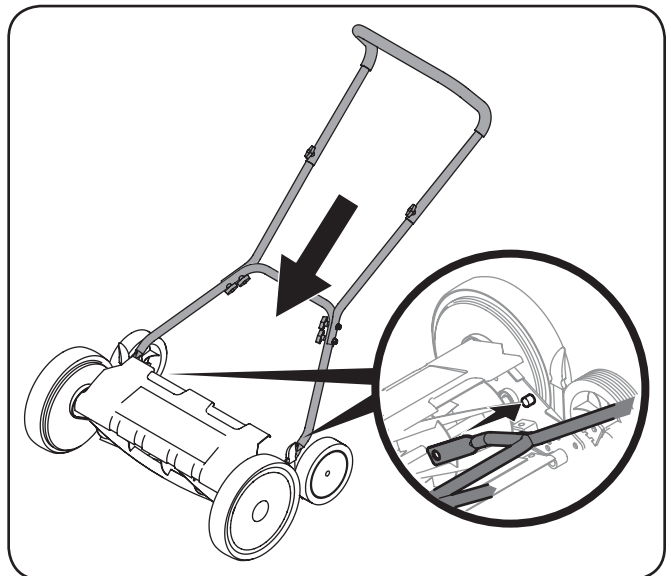


Figura 3-3

Ajuste de la altura de corte

La altura de corte puede ajustarse para que sea aproximadamente de entre $\frac{3}{4}$ de pulgada y 2 pulgadas y media.

1. Mueva la palanca de ajuste de altura derecha hacia afuera y luego póngala hacia adelante (para reducir la altura de corte) o hacia atrás (para aumentarla) antes de soltarla dentro de la muesca para que quede en la altura que desea. Consulte la Fig. 3-4.

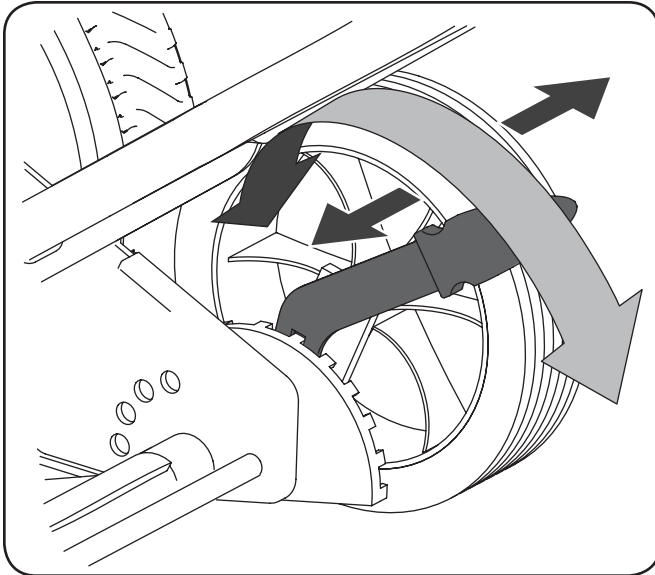


Figura 3-4

2. Repita el Paso 1 con la palanca izquierda asegurándose de soltarla cuando esté en la muesca correspondiente.

Acople del colector de césped (Modelo TB R18)

1. Para abrir el colector de césped que está plegado, deberá abrir las bisagras que están en el interior de su bastidor.
2. Ubique los ganchos del colector de césped sobre la varilla que está en la parte posterior de la podadora. Consulte la Fig. 3-5.

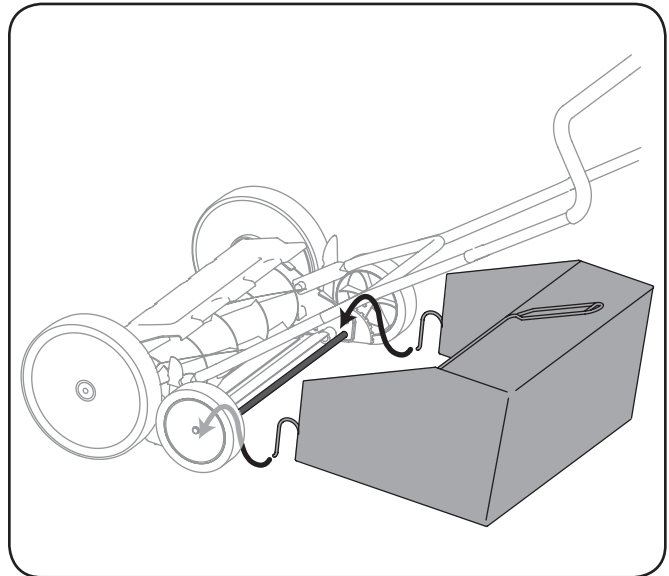


Figura 3-5

3. Ubique la tira a través de la manija del colector de césped y sobre la barra transversal de la barra de control inferior de la podadora para sostener la parte posterior del colector de césped. Consulte la Fig. 3-6. Ajuste la longitud de la tira de manera que la bolsa quede abajo, cerca del suelo, pero que no se arrastre.

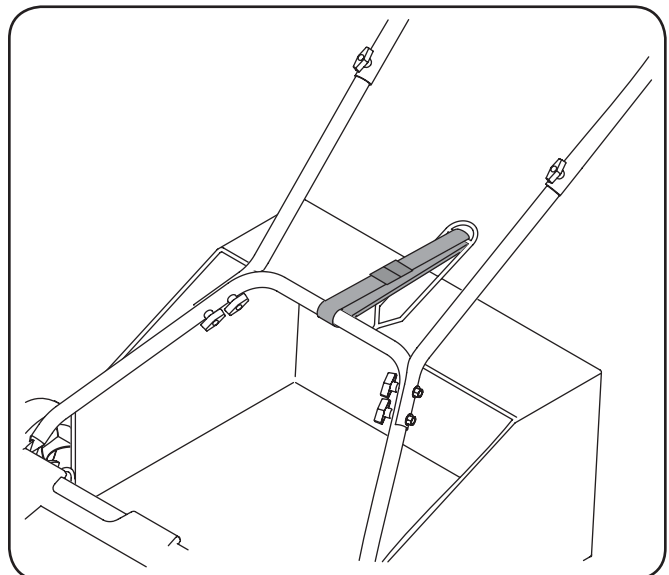


Figura 3-6

Uso de la podadora de césped

Tenga en cuenta lo siguiente cuando opere la cortadora de césped de cuchillas helicoidales.

- Asegúrese que el césped está libre de piedras, palos, cables u otros objetos que pudiesen dañar la cortadora o el motor.



ADVERTENCIA: Al hacer funcionar la cortadora de césped puede ser que arroja objetos extraños a los ojos, lo cual puede dañarlos gravemente. Utilice siempre gafas de seguridad durante el funcionamiento de la cortadora o mientras hace ajustes o la repara.

- Corte el césped cuando el pasto está relativamente seco. Si se intenta cortar el césped cuando está húmedo el corte puede quedar desparejo.
- Mantenga un paso uniforme mientras empuja la podadora con pasadas en línea recta.
- Superponga ligeramente cada pasada para emparejar el corte y evitar que queden franjas sin cortar.
- Corte el césped periódicamente, al menos una vez a la semana durante la estación de crecimiento. La frecuencia debe ser superior a la habitual con una podadora rotatoria convencional.
- Pude siempre con la altura de la cuchilla ajustada para cortar no más de 1/3 de la altura total del césped.
- Si la altura del césped supera las 4 pulgadas, debe ajustar la altura de la cuchilla en su posición más alta antes de podar. Después de podar, reajuste la cuchilla en su altura de corte preferida y pode el césped una segunda vez al día siguiente o dentro de los dos días.

Uso del colector de césped (Modelo TB R18)

Puede utilizar el colector de césped para recoger recortes mientras opera la podadora.

1. Acople el colector de césped siguiendo las instrucciones de la sección Montaje y configuración. Los recortes de césped son recolectados en el colector de forma automática a medida que usa la podadora. Cuanto más rápido se empuje la podadora, mayor será la eficacia con que recogerá los recortes. Opere la podadora hasta que el recolector de césped esté lleno.
2. Quite la tira del recolector de césped de la barra transversal de la barra de control inferior y eleve el colector de césped alejándolo de la podadora para sacar la bolsa. Deseche los recortes de césped y vuelva a colocar la bolsa cuando haya terminado.



ADVERTENCIA: Si golpea un objeto extraño, inspecciones detalladamente la podadora para detectar si se dañó. Debe reparar los daños antes de usarla.

Transporte de la podadora

Durante el funcionamiento normal, el cilindro de corte de la cuchilla girará cada vez que giren las ruedas delanteras de la podadora. Para mover la podadora de forma segura desde una ubicación a otra sin girar el cilindro de corte de la cuchilla, sólo debe hacer que pivote la barra de control sobre el cilindro y empujar la podadora desde el lado contrario. Consulte la Fig. 4-1. Si se empuja la podadora de esta manera (modo de transporte) se impide que gire el cilindro de corte de la cuchilla.

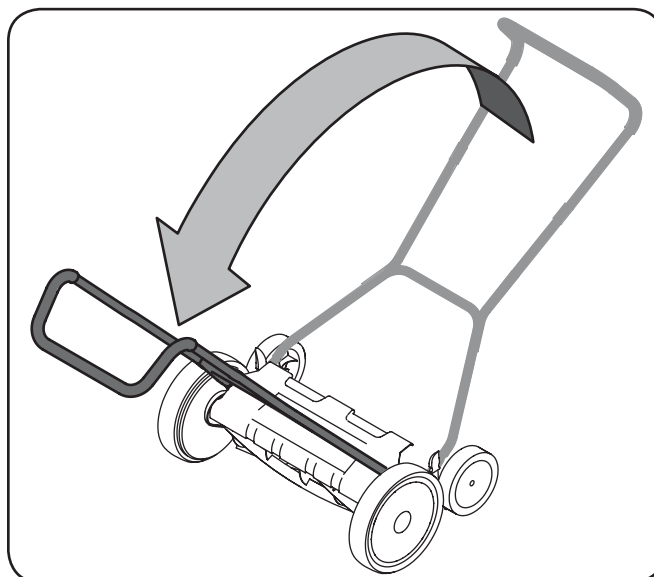


Figura 4-1

Mantenimiento

Recomendaciones generales

- Respete siempre las reglas de seguridad cuando realice tareas de mantenimiento.
- La garantía de esta podadora no cubre elementos que han estado sujetos al mal uso o la negligencia del operador. Para recibir el reembolso total de la garantía, el operador deberá mantener la podadora como se indica en este manual.
- Todos los ajustes deben ser verificados por lo menos una vez por temporada.
- Revise periódicamente todos los sujetadores y compruebe que estén bien ajustados.
- Aplique periódicamente un lubricante a las superficies de corte, al eje del cilindro de corte y a las ruedas.

Limpieza de la cortadora

Para evitar la acumulación de recortes de césped o de otros residuos, limpie la podadora pasándole un trapo húmedo después de cada uso.

- Raspe y limpie la podadora con una herramienta adecuada (por ejemplo, un raspador plástico o un cepillo).
- No utilice una lavadora a presión o manguera de jardín para limpiar la podadora.
- Elimine los depósitos que haya en las huellas de las ruedas.

Cuidado de la cuchilla



ADVERTENCIA: Las cuchillas de las cortadoras son muy filosas y podría cortarse. Utilice guantes y extreme las precauciones cuando efectúe el mantenimiento.

Afile periódicamente las cuchillas de la siguiente manera:

1. Aplique una capa delgada de compuesto abrasivo (granulosidad de 100 a 240) en el borde delantero de las cuchillas del cilindro de corte.
2. Ajuste la barra de corte de manera que la cuchilla tenga un contacto ligero pero firme todo a lo ancho de dicha barra. Consulte "Ajuste de la separación de la cuchilla" posteriormente en esta sección.
3. Opere la podadora en una superficie pavimentada hasta que se haya pulido el borde delantero de la cuchilla de la barra de corte.
4. Elimine el compuesto abrasivo o los residuos de la cuchilla de la barra de corte, la cuchilla del cilindro de corte, los piñones y los retenes.

Ajustes



ADVERTENCIA: Las cuchillas de las cortadoras son muy filosas y podría cortarse. Utilice guantes y extreme las precauciones cuando efectúe el mantenimiento. Cualquier rotación de la rueda puede hacer que rote el cilindro de corte de la cuchilla.

Ajuste de la separación de la cuchilla

El cilindro de corte de la cuchilla se ajusta en la fábrica para que tenga la separación adecuada de la barra de corte. Sin embargo, después de usar la podadora durante períodos prolongados o como parte del mantenimiento anual, se recomienda reajustar la separación de las cuchillas.

- Si la separación de la cuchilla es demasiado amplia, el patrón de corte es irregular y desperejo.
- Si es demasiado estrecha, la máquina hace ruido y resulta difícil empujarla cuando está en funcionamiento.

Para ajustar la separación de la cuchilla, proceda de la siguiente manera:

1. Ubique los pernos de ajuste que están en la parte de abajo de la barra de corte, en la parte posterior de la podadora.
2. Apriete los pernos de ajuste (uno en cada extremo) $\frac{1}{4}$ de giro con una llave de 13mm. Consulte la Fig. 5-1.



PRECAUCIÓN: No apriete excesivamente los tornillos de ajuste ya que podría dañar la barra de corte. Apriete ambos tornillos durante el ajuste final.

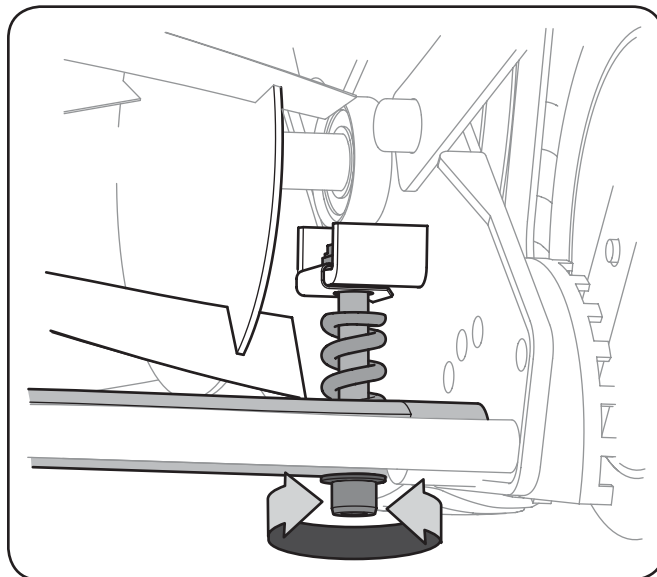


Figura 5-1

3. Para probar si el ajuste es correcto:
 - a. Incline la podadora totalmente hacia atrás de manera que quede apoyada sobre la barra de control.
 - b. Rote despacio la rueda de la podadora con una mano, haciendo que el cilindro de corte de la cuchilla gire lentamente. Si resulta muy difícil girar la rueda, afloje ligeramente cada tornillo de ajuste.
 - c. Mientras gira el cilindro de corte de la cuchilla, inserte una hoja de papel entre dicho cilindro y la barra de corte. Consulte la Fig. 5-2. El papel debe cortarse de forma pareja todo a lo largo de la barra de corte, como si se cortara con tijeras. Si no se corta, ajuste ligeramente cada tornillo de ajuste y repita la prueba.

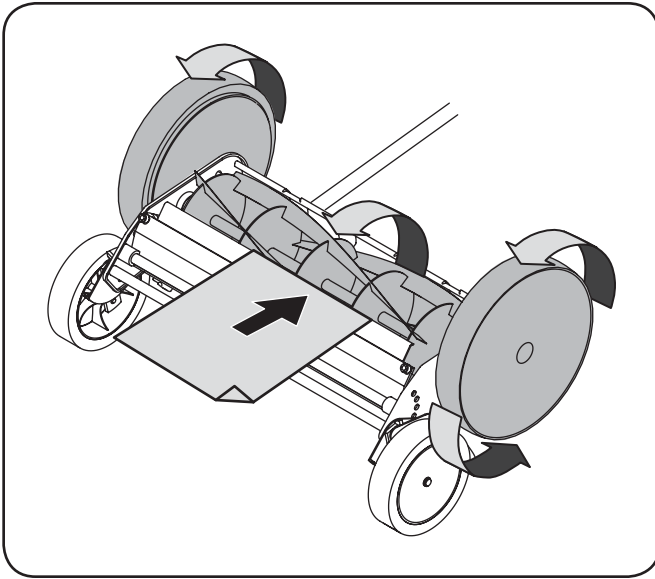


Figura 5-2

GARANTÍA LIMITADA DEL FABRICANTE PARA



La siguiente garantía limitada es otorgada por Troy-Bilt LLC con respecto a nuevos productos adquiridos y utilizados en Estados Unidos y/o sus territorios y posesiones, y por MTD Products Limited con respecto a nuevos productos adquiridos y utilizados en Canadá y/o sus territorios y posesiones (cualquiera de las dos entidades, respectivamente, "Troy-Bilt").

"Troy-Bilt" garantiza este producto (excluidas las *Piezas y Accesorios con Desgaste Normal* según se describe más abajo) contra defectos en los materiales y mano de obra por un período de dos (2) años a partir de la fecha de compra original y, a su opción, reparará o reemplazará, sin costo alguno, cualquier pieza que presente defectos en los materiales o de mano de obra. Esta garantía limitada sólo se aplicará si el producto ha sido operado y mantenido de acuerdo con las instrucciones del Manual del Operador que se proporciona con el producto y no ha sido sujeto a uso inapropiado, abuso, uso comercial, abandono, accidente, mantenimiento incorrecto, alteración, vandalismo, robo, incendio, inundación o algún daño debido a otro peligro o desastre natural. El daño resultante por la instalación o el uso de piezas, accesorios o aditamentos no aprobados por Troy-Bilt para su uso con el(los) producto(s) incluido(s) en este manual anulará la garantía en lo que respecta a esos daños.

Se garantiza que las *Piezas con Desgaste Normal* están libres de defectos en los materiales y mano de obra por un período de treinta (30) días a partir de la fecha de compra. Las piezas sujetas a desgaste normal incluyen pero no se limitan a: baterías, correas, cuchillas, adaptadores para cuchillas, dientes, bolsas para pasto, ruedas, ruedas para la plataforma de la podadora tractor, asientos, zapatas antideslizantes, ruedas de fricción, placas de raspado, gomas helicoidales y neumáticos.

Accesorios — Troy-Bilt garantiza que los accesorios de este producto están libres de defectos de material y mano de obra durante un período de un (1) año a partir de la fecha de compra o arrendamiento original del accesorio. Los accesorios incluyen, pero no se limitan a elementos tales como: colectores de césped y kits para abono.

CÓMO SOLICITAR Y OBTENER SERVICIO TÉCNICO: El servicio de la garantía está disponible, CON COMPROBANTE DE COMPRA, a través de su distribuidor local autorizado para el mantenimiento. Para localizar al distribuidor de su zona:

En Estados Unidos de América

Consulte las páginas amarillas, o póngase en contacto con Troy-Bilt LLC en P.O. Box 361131, Cleveland, Ohio 44136-0019, llame al 1-866-840-6483, o visite nuestro sitio web en www.troybilt.com.

En Canadá

Póngase en contacto con MTD Products Limited, Kitchener, ON N2G 4J1, llame al 1-800-668-1238 ó visite nuestro sitio web en www.mtdcanada.com.

Esta garantía limitada **no** suministra cobertura en los siguientes casos:

- El motor o las piezas que lo componen. Estos productos pueden tener garantía del fabricante por separado. Consulte los términos y condiciones de la garantía aplicable del fabricante.
- Las bombas, válvulas y cilindros del rompetroncos tienen una garantía separada de un año.

- Los artículos necesarios para el mantenimiento de rutina como por ejemplo lubricantes, filtros, afiladores de cuchillas, sincronización del motor, los ajustes de los frenos, del embrague o de la plataforma y el deterioro normal del acabado exterior debido al uso o exposición.
- Mantenimiento no realizado por el distribuidor de servicio autorizado.
- Troy-Bilt no extiende ninguna garantía para los productos vendidos o exportados fuera de los Estados Unidos de América y/o Canadá, y sus respectivas posesiones y territorios, excepto para aquellos vendidos a través de los canales autorizados de distribución de exportaciones de Troy-Bilt.
- Piezas de reemplazo que no son piezas originales de Troy-Bilt.
- Gastos de transporte y visitas técnicas.
- Troy-Bilt no garantiza este producto para uso comercial.

No existe ninguna garantía implícita, incluyendo cualquier garantía implícita de comerciabilidad o adaptabilidad para un propósito en particular, una vez transcurrido el período aplicable de garantía escrita según lo antedicho en relación con las piezas identificadas. Ninguna otra garantía expresa, ni oral ni escrita, excepto la mencionada anteriormente, extendida por personas reales o jurídicas, incluidos los distribuidores o los minoristas con respecto a cualquier producto, obligará a Troy-Bilt. Durante el plazo de la garantía el único recurso es la reparación o reemplazo del producto como se indicó anteriormente.

Las disposiciones de esta garantía cubren el recurso de reparación única y exclusiva que surge de la venta. Troy-Bilt no se hará responsable de ninguna pérdida o daño incidental o resultante, incluyendo sin limitación, los gastos incurridos para los servicios de mantenimiento del césped, o los gastos de arrendamiento para reemplazar de manera transitoria un producto bajo garantía.

Algunos estados no permiten la exclusión o limitación de los daños y perjuicios incidentales o directos, o las limitaciones sobre la duración de las garantías implícitas, por lo que las exclusiones o limitaciones mencionadas anteriormente pueden no ser de aplicación.

En ningún caso se obtendrá una compensación de ningún tipo por un monto mayor al precio de compra del producto vendido. La alteración de las características de seguridad del producto anulará esta garantía. Usted asume el riesgo y la responsabilidad de las pérdidas, daños o lesiones que sufran usted y sus bienes y/u otras personas y sus bienes como resultado del uso incorrecto o de la falta de capacidad para usar este producto.

Esta garantía limitada cubre solamente al comprador original, o a la persona que recibió el producto de regalo.

CÓMO SE RELACIONA LA LEGISLACIÓN ESTATAL CON ESTA GARANTÍA:

Esta garantía limitada le otorga derechos legales específicos y usted también puede tener otros derechos que varían de un estado a otro.

IMPORTANTE: El propietario debe presentar comprobante de compra original para obtener la cobertura de la garantía.

**Troy-Bilt LLC, P.O. BOX 361131 CLEVELAND, OHIO 44136-0019, Teléfono: 1-866-840-6483, 1-330-558-7220
MTD Canada Limited - KITCHENER, ON N2G 4J1; teléfono 1-800-668-1238**

Free Manuals Download Website

<http://myh66.com>

<http://usermanuals.us>

<http://www.somanuals.com>

<http://www.4manuals.cc>

<http://www.manual-lib.com>

<http://www.404manual.com>

<http://www.luxmanual.com>

<http://aubethermostatmanual.com>

Golf course search by state

<http://golfingnear.com>

Email search by domain

<http://emailbydomain.com>

Auto manuals search

<http://auto.somanuals.com>

TV manuals search

<http://tv.somanuals.com>