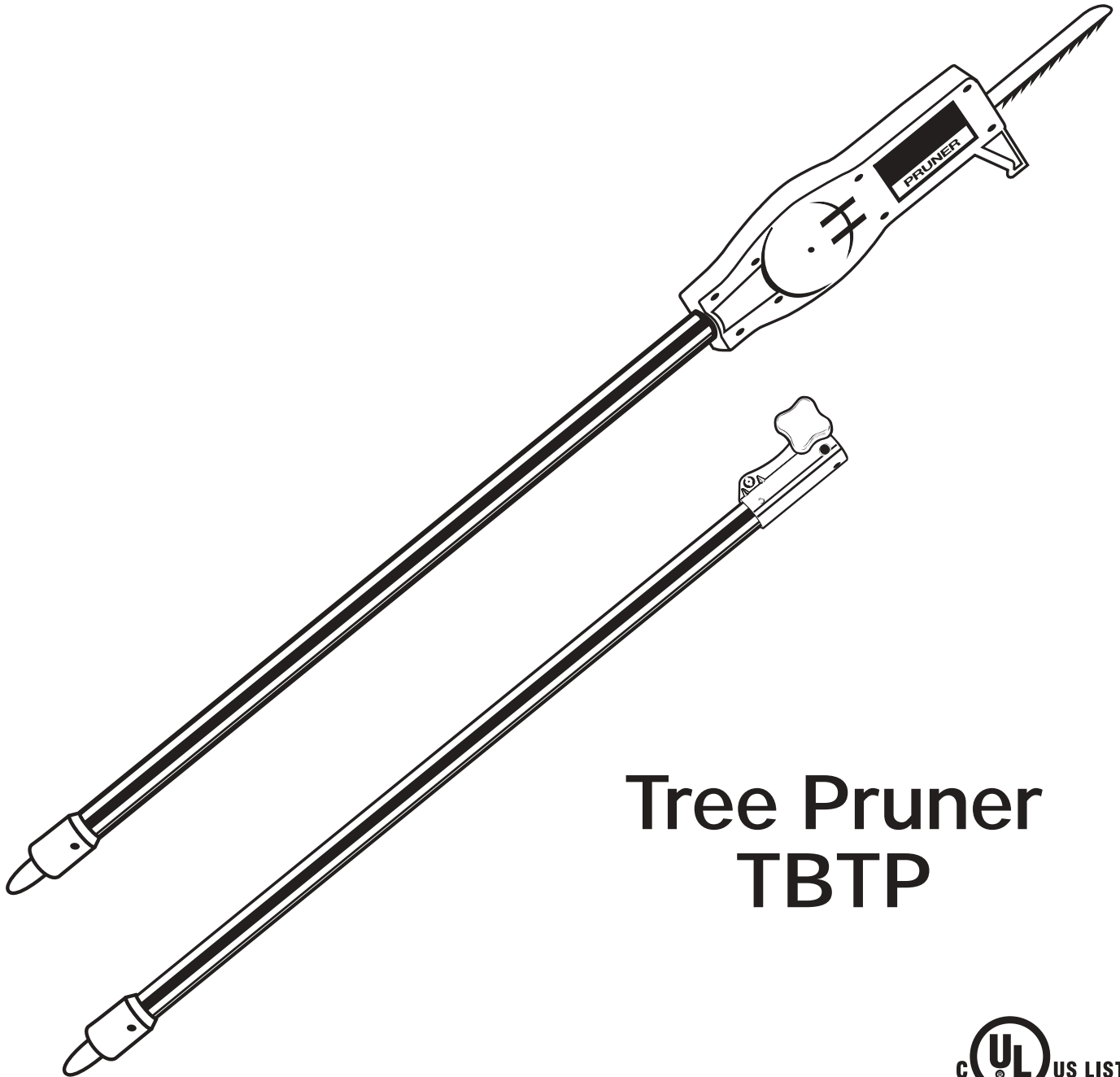




# Operator's Manual



## Tree Pruner TBTP



**IMPORTANT: READ SAFETY RULES AND INSTRUCTIONS CAREFULLY**

P/N 769-00412 (8/02)  
PRINTED IN USA

# INTRODUCTION

## THANK YOU

Thank you for buying this quality product. This modern outdoor power tool will provide many hours of useful service. You will find it to be a great labor-saving device. This operator's manual provides you with easy-to-understand operating instructions. Read the whole manual and follow all the instructions to keep your new outdoor power tool in top operating condition.

## PRODUCT REFERENCES, ILLUSTRATIONS AND SPECIFICATIONS

All information, illustrations and specifications in this manual are based on the latest product information available at the time of printing. We reserve the right to make changes at any time without notice.

Copyright ©2002 MTD SOUTHWEST INC  
All Rights Reserved.

Troy-Bilt® is a registered trademark of  
MTD PRODUCTS INC

### SERVICE INFORMATION

Service on this unit both within and after the warranty period should be performed only by an authorized and approved service dealer.

Dial:

- 1-330-558-7220

Or

- 1-866-840-6483 to obtain the listing of the authorized service dealer nearest you.

**DO NOT RETURN THE UNIT TO THE RETAILER.**

**NOTE: PROOF OF PURCHASE WILL BE  
REQUIRED FOR WARRANTY SERVICE.**

Make sure this manual is carefully read and understood before starting or operating this equipment.

THIS PRODUCT IS COVERED BY ONE OR MORE US PATENTS. OTHER PATENTS PENDING.

## WARNING!

Read the Operator's Manual(s) and follow all warnings and safety instructions. Failure to do so can result in serious injury to the operator and/or bystanders.

# TABLE OF CONTENTS

I.	Rules for Safe Operation	3-6
A.	Important Safety Information	3-4
B.	Safety and International Symbols	5
C.	Know Your Unit	6
II.	Assembly Instructions	7
A.	Installing The Blade	7
B.	Installing And Adjusting The Shoulder Harness	7
III.	Operating Instructions	8-9
A.	Assembling the Coupler	8
B.	Operating The Pruner	9
C.	Pruning Tips	9
IV.	Maintenance and Repair Instructions	10
A.	Pruner Blade Replacement	10
B.	Cleaning	10
C.	Storage	10
D.	Accessories/Replacement Parts	10
V.	Specifications	11
VI.	Warranty	12

## CONTENTS OF CARTON

This unit should consist of the following:

- TBTP Tree Pruner Add-On
- Blade & Blade Cover
- Blade Clamp Screw and Lock Washer
- Boom Extension
- Hangers
- 9/64" Allen Wrench
- Shoulder Harness
- Operator's Manual
- Product Registration Card

**NOTE:** This product has been rated for use on both gas and electric powerheads.

# RULES FOR SAFE OPERATION

The purpose of safety symbols is to attract your attention to possible dangers. The safety symbols, and their explanations, deserve your careful attention and understanding. The safety warnings do not by themselves eliminate any danger. The instructions or warnings they give are not substitutes for proper accident prevention measures.

SYMBOL	MEANING
	<b>SAFETY ALERT SYMBOL:</b> Indicates danger, warning, or caution. Attention is required in order to avoid serious personal injury. May be used in conjunction with other symbols or pictographs.
<b>NOTE:</b> Advises you of information or instructions vital to the operation or maintenance of the equipment.	



**DANGER:** Failure to obey a safety warning will result in serious injury to yourself or to others. Always follow the safety precautions to reduce the risk of fire, electric shock, and personal injury.



**WARNING:** Failure to obey a safety warning can result in injury to yourself and others. Always follow the safety precautions to reduce the risk of fire, electric shock, and personal injury.



**CAUTION:** Failure to obey a safety warning may result in property damage or personal injury to yourself or to others. Always follow the safety precautions to reduce the risk of fire, electric shock, and personal injury.

## • IMPORTANT SAFETY INFORMATION •

### READ ALL INSTRUCTIONS



**WARNING:** When using the unit, the safety rules must be followed. For your own safety and that of bystanders, please read these instructions before operating the unit. Please keep the instructions safe for later use.

#### BEFORE OPERATING

- Carefully read and understand the operator's manual of the unit that powers this attachment.
- Read this operating instruction manual carefully. Be thoroughly familiar with the controls and the proper use of the equipment. Know how to stop the unit and disengage the controls quickly.
- Do not operate this unit when tired, ill, or under the influence of alcohol, drugs, or medication.
- Never allow children to operate the equipment. Never allow adults unfamiliar with the instructions to use the unit. Never allow adults to operate the equipment without proper instruction.
- All guards and safety attachments must be installed properly before operating the unit.
- Inspect the unit before use. Ensure the blade is installed correctly and secure.
- Keep bystanders, especially children and pets, at least 50 ft (15 m) away.

#### SPECIAL SAFETY WARNINGS FOR GAS POWERHEADS AND TREE PRUNERS



**WARNING:** Gasoline is highly flammable, and its vapors can explode if ignited. Take the following precautions:

- Store fuel only in containers specifically designed and approved for the storage of such materials.

- Always stop the engine and allow it to cool before filling the fuel tank. Never remove the cap of the fuel tank, or add fuel, when the engine is hot. Never operate the unit without the fuel cap securely in place. Loosen the fuel tank cap slowly to relieve any pressure in the tank.
- Mix and add fuel in a clean, well-ventilated area outdoors where there are no sparks or flames. Slowly remove the fuel cap only after stopping engine. Do not smoke while fueling or mixing fuel. Wipe up any spilled fuel from the unit immediately.
- Avoid creating a source of ignition for spilled fuel. Do not start the engine until fuel vapors dissipate.
- Move the unit at least 30 feet (9.1 m) from the fueling source and site before starting the engine. Do not smoke. Keep sparks and open flames away from the area while adding fuel or operating the unit.
- Never start or run the unit inside a closed room or building. Breathing exhaust fumes can kill. Operate this unit only in a well ventilated area outdoors.

#### SPECIAL SAFETY WARNINGS FOR ELECTRIC POWERHEADS AND TREE PRUNERS



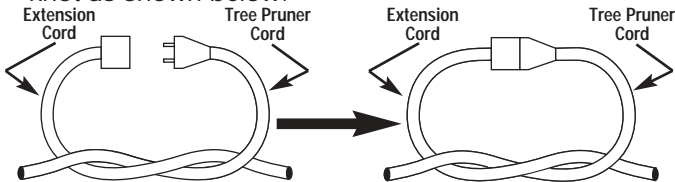
**WARNING:** To reduce the risk of electrical shock, use only extension cords approved for outdoor use, such as an extension cord of cord type SW-A, SOW-A, STW-A, STOW-A, SJW-A, SJOW-A, SJTW-W or SJTOW-A. Extension cords are available from your local retailer. Use only round-jacketed extension cords approved for outdoor use.

- **CORD SETS:** Make sure your cord set is in good condition. When using a cord set, be sure to use a cord that is heavy enough to carry the current that your unit will draw. An undersized cord set will cause a drop in line voltage resulting in loss of power and overheating. See the operator's manual for the unit that will power this add-on for the recommended cord size.

# RULES FOR SAFE OPERATION

- Inspect all extension cords and the unit power connection periodically. Look closely for deterioration, cuts or cracks in the insulation. Also inspect the connections for damage. Replace the cords if any defects or damage appear.

- Prevent disconnection of the tree pruner powerhead from extension cord during operation by using a plug-receptacle retaining strap, connector, or by making a knot as shown below:



- Avoid dangerous environments. Never operate your unit in damp or wet conditions. Moisture is a shock hazard.
- Do not use the unit in the rain. Do not use in or around water.
- Do not handle the plug or unit with wet hands or standing on any wet surfaces.
- Keep pruner away from power lines or electrical wires.
- Do not leave the unit plugged in when not in use, changing attachments or add-ons, or while being serviced.

## WHILE OPERATING

- Wear safety glasses or goggles that are marked as meeting ANSI Z87.1 standards, and ear/hearing protection when operating this unit. Wear a face or dust mask if the operation is dusty.
- Wear heavy, long pants, boots, gloves and a long sleeve shirt. Do not wear loose clothing, jewelry, short pants, sandals or go barefoot. Secure hair above shoulder level.
- Use the unit only in daylight or good artificial light.
- Do not force unit. It will do the job better and with less likelihood of injury at a rate for which it was designed.
- To reduce the risk of electrical shock, keep the pruner from power lines or electrical wires.
- Use the right tool. Use this unit only as described in this manual. Do not use for any job except that for which is intended.
- Do not overreach. Always keep proper footing and balance.
- Always hold the unit with both hands when operating. Keep a firm grip on both the front and rear handle or grips.
- A coasting blade can cause injury while it continues to move after the unit is stopped. Maintain proper control of the unit until the blade has completely stopped moving.
- Keep hands, face, and feet at a distance from all moving parts. Do not attempt to touch or stop the blade when it is moving.

- Do not operate the unit faster than the speed needed to prune. Do not run the unit at high speed when not pruning.
- Always stop the unit when work is delayed or when walking from one cutting location to another.
- If you strike or become entangled with a foreign object, stop the engine immediately and check for damage. Have any damage repaired before attempting further operations. Do not operate unit with a bent, cracked or dull blade. Discard blades that are bent, warped, cracked or broken.
- Stop the unit **IMMEDIATELY** if you feel excessive vibration. Vibration is a sign of trouble. Inspect thoroughly for loose nuts, bolts or damage before continuing. Repair or replace affected parts as necessary.
- Stop and switch the unit to off for maintenance, repair, or for changing add-ons attachments.
- Use only Genuine Factory Parts™ and accessories for this unit. These are available from your authorized service dealer. Use of any Genuine Factory Parts™ or accessories could lead to serious injury to the user or damage to the unit, and void your warranty.

## OTHER SAFETY WARNINGS

- Allow the unit to cool before storing or transporting. Be sure to secure the unit while transporting.
- Store the unit inside in a dry place, either locked up or up high to prevent unauthorized use or damage. Keep out of the reach of children.
- Never douse or squirt the unit with water or any other liquid. Keep handles dry, clean and free from debris. Clean after each use, **see Cleaning and Storage instructions**.
- Keep these instructions. Refer to them often and use them to instruct other users. If you loan someone this unit, also loan them these instructions.
- Only qualified personnel should perform any repairs or maintenance procedures that are not described in this manual.
- Check shear bolts, engine mounting bolts and other bolts at frequent intervals for proper tightness to be sure the equipment is in safe working condition.
- Always refer to the Operator's Manual instructions for important details if the unit is to be stored for an extended period.
- Do not attempt to repair the machine unless you have the proper tools, and instructions for disassembly and repair of the machine.

## SAVE THESE INSTRUCTIONS

# RULES FOR SAFE OPERATION

## SAFETY AND INTERNATIONAL SYMBOLS

This operator's manual describes safety and international symbols and pictographs that may appear on this product. Read the operator's manual for complete safety, assembly, operating and maintenance and repair information.

### SYMBOL

### MEANING



- **SAFETY ALERT SYMBOL**

Indicates danger, warning, or caution. May be used in conjunction with other symbols or pictographs.



- **WARNING - READ OPERATOR'S MANUAL**

Read the Operator's Manual(s) and follow all warnings and safety instructions. Failure to do so can result in serious injury to the operator and/or bystanders.



- **WEAR EYE AND HEARING PROTECTION**

**WARNING:** The operation of any power tool can be the source of thrown objects and loud noise which can cause severe eye injury and hearing loss. Always wear safety glasses or goggles eye protection meeting ANSI Z87.1 standards and ear protection when operating this unit. Use a full face shield when needed.



- **KEEP BYSTANDERS AWAY**

**WARNING:** Keep all bystanders, especially children and pets, at least 50 feet (15 m) from the operating area.



- **THROWN OBJECTS AND RECIPROCATING BLADE CAN CAUSE SEVERE INJURY**

**WARNING:** Inspect the unit before use. Do not operate unit with a bent, cracked or dull blade. Keep away from the blade.



- **SHARP BLADE**

**WARNING:** Sharp blade, do not touch. To prevent serious injury, always wear gloves when changing or handling the blade.



- **WEAR HEAD PROTECTION**

**WARNING:** Falling objects can cause severe head injury. Wear head protection when operating this unit.



- **BOOM EXTENSIONS**

**WARNING:** To prevent serious injury, do not use more than one boom extension with the pruner attachment.

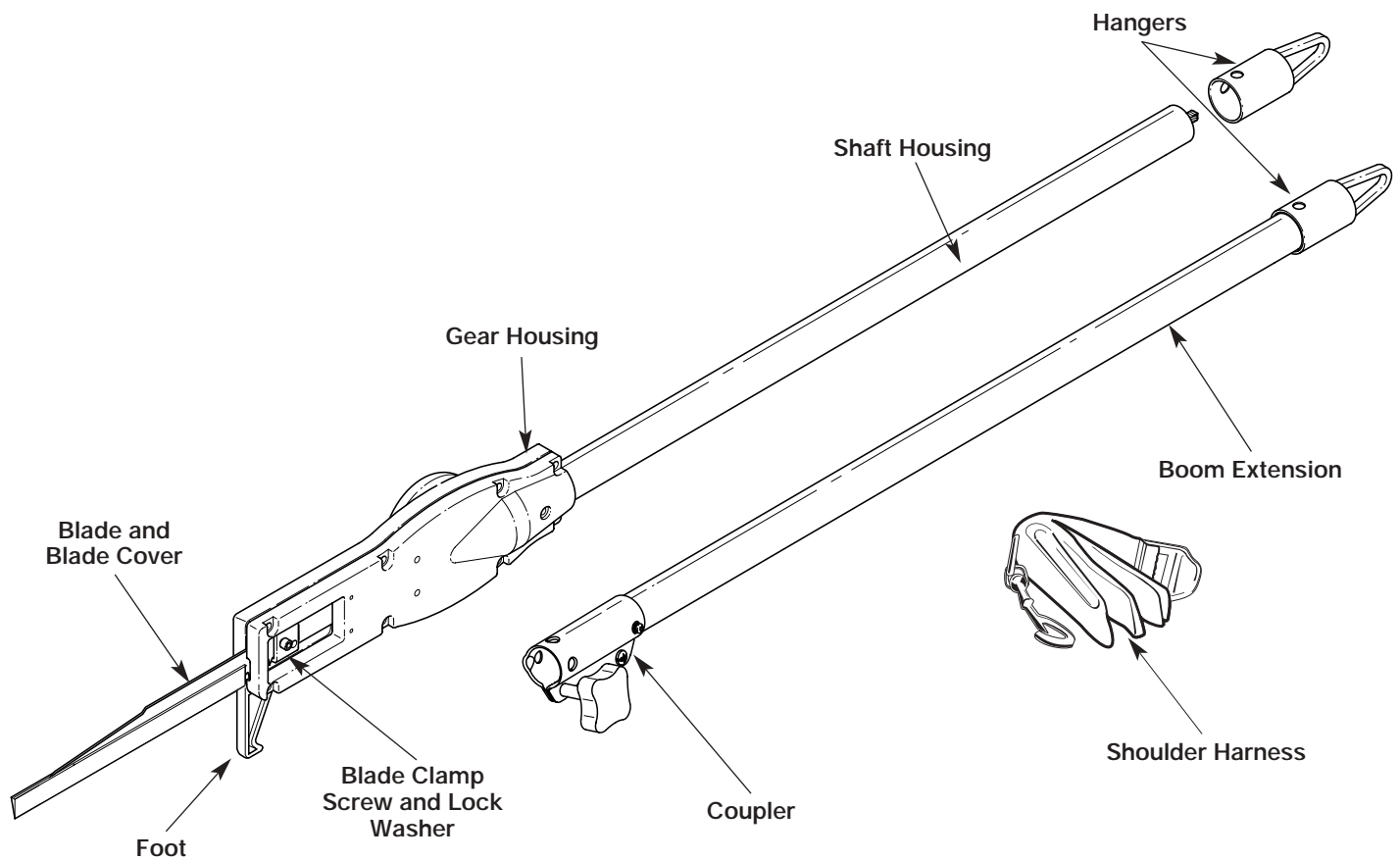
# RULES FOR SAFE OPERATION

## KNOW YOUR UNIT

### APPLICATIONS

With Pruner Add-On:

- For pruning limbs and branches up to 4 inches in diameter.



# ASSEMBLY INSTRUCTIONS

## INSTALLING THE BLADE

1. Slide the blade cover past the end of the blade to expose the hole for the pin.
2. Insert the blade through the end of the pruner housing and install the blade over the pin (Fig. 1). The blade teeth should face the foot side.
3. Install the blade clamp over the blade and pin. Install the screw with lock washer and tighten securely with the allen wrench (Fig. 2).
4. Before operating unit, remove blade cover completely (Fig. 3). Store away for later use.

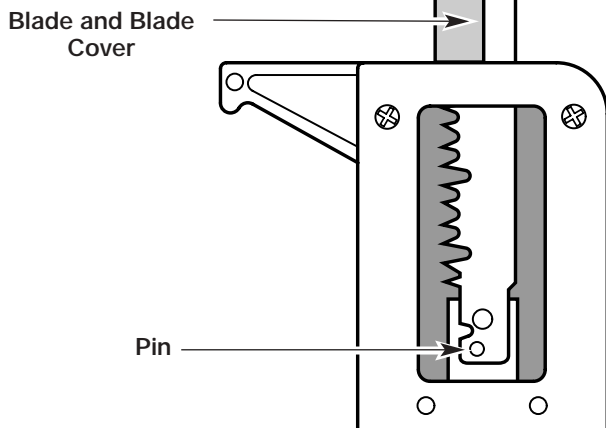


Fig. 1

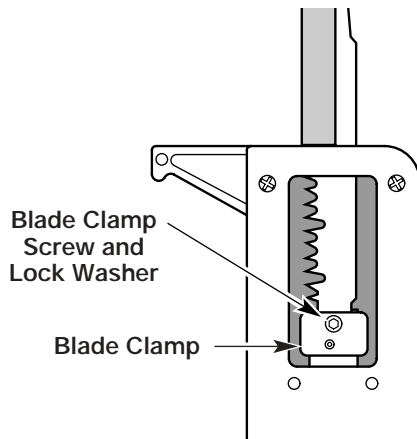


Fig. 2

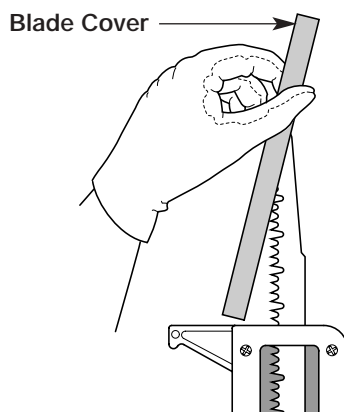


Fig. 3

## INSTALLING AND ADJUSTING THE SHOULDER HARNESS

1. Push the strap through the center of the buckle.
2. Pull the strap over the cross bar and down through the slot in the buckle (Fig. 4).
3. Snap it on to the support fitting (Fig. 5).
4. While standing in the operating position adjust length to fit the operator's size.
  - Lengthen the harness by pulling down on the strap and lifting the buckle end up (Fig. 6).
  - Shorten the harness by pulling the strap back through the buckle while holding the buckle (Fig. 6).

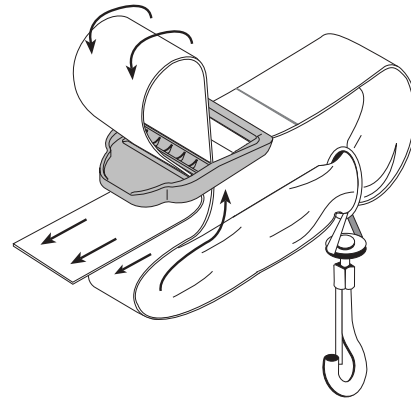


Fig. 4

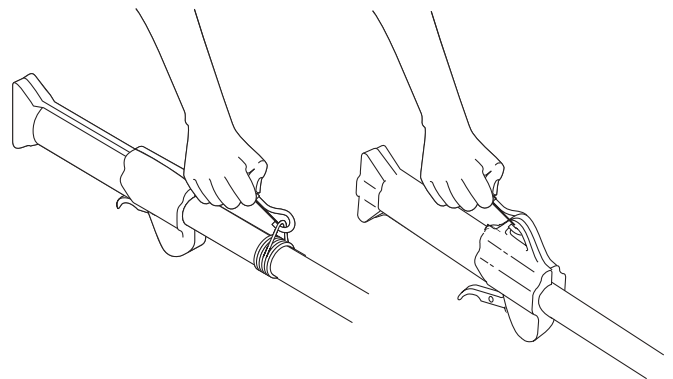


Fig. 5

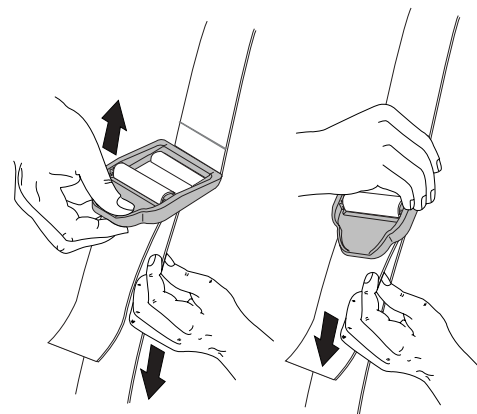


Fig. 6

# OPERATING INSTRUCTIONS

## ASSEMBLING THE COUPLER

The following Troy-Bilt Add-Ons are also available for your unit:

Blower/Vacuum .....	TBBV
Cultivator .....	TBGC
Hedge Trimmer .....	TBHS
Edger .....	TBLE
Straight Shaft Trimmer .....	TBSS
Snow Thrower .....	TBST
Turbo Blower .....	TBTB

### Removing the add-on:

	<b>WARNING:</b> Read and understand operator's manual for add-on prior to operation.
--	--

1. Turn the knob counterclockwise to loosen (Fig. 7).
2. Press and hold the release button (Fig. 7).
3. While firmly holding the upper shaft housing, pull the tree pruner attachment out of the coupler (Fig. 8).

### Installing the add-on:

	<b>WARNING:</b> To avoid serious personal injury and damage to the unit, shut unit off before removing or installing add-ons.
--	---

**NOTE:** To make installing or removing the add-on easier, place the unit on the ground or on a work bench.

1. Turn knob counterclockwise to loosen (Fig. 7).
2. While firmly holding the add-on, push it straight into the coupler (Fig. 8).
3. While firmly holding the add-on, push it straight into the coupler (Fig. 2).

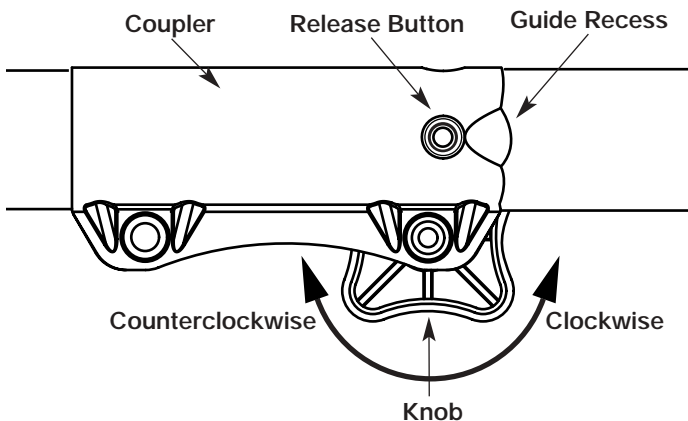


Fig. 7

**NOTE:** Aligning the release button with the guide recess will help installation (Fig. 7).

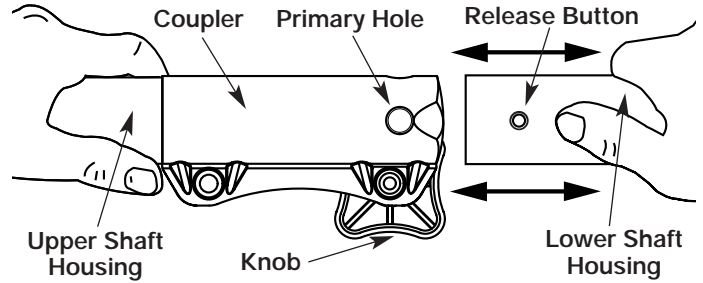


Fig. 8

4. Turn the knob clockwise to tighten (Fig. 9).

	<b>CAUTION:</b> Lock the release button in the primary hole (Fig. 8) and securely tighten the knob before operating this unit.
--	--

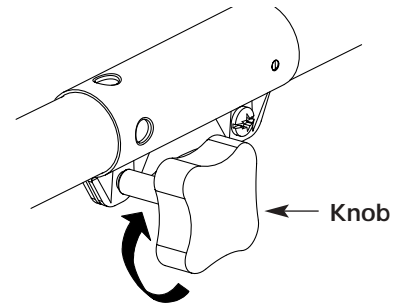


Fig. 9

	<b>CAUTION:</b> The tree pruner add-on with the coupler system is to be used in the primary hole only. Using the wrong hole could lead to personal injury or damage to the unit.
--	--

### Installing the boom extension:

When using the boom extension, follow steps 1-3 under **Installing the Attachment or Add-ons**. Install the extension to the power head, then repeat the steps for installing the pruner attachment to the extension.

### Check Flex Shaft Engagement Prior to Using

1. Start the unit.
2. Briefly engage and release the trigger.
3. Check that add-on is operating.
4. If the add-on is not operating, remove add-on and repeat steps for installing the add-on.
5. Recheck operation of add-on attachment.



# OPERATING INSTRUCTIONS

## OPERATING THE PRUNER



**WARNING:** Always wear eye, hearing, foot and body protection to reduce the risk of injury when operating this unit.

Before operating the unit, stand in the operating position (Figs. 10 & 11). Check for the following:

- The operator is wearing a face shield, head protection and proper clothing.
- Harness is adjusted to proper position.
- The handle is adjusted to provide the best grip.
- The operator has a firm grip on both the throttle grip and handle.

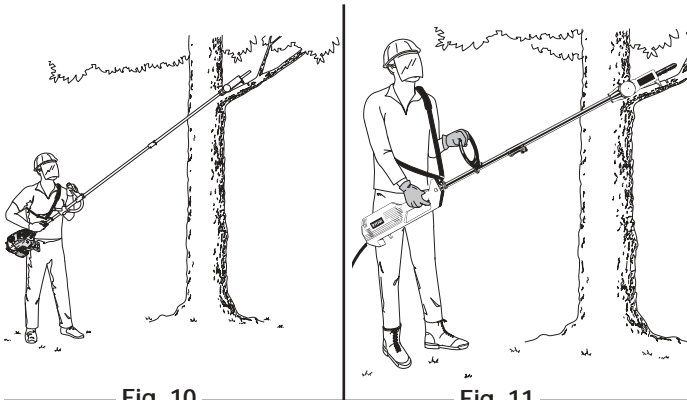


Fig. 10

Fig. 11

1. When operating the pruner, rest the foot of the pruner against the tree limb that is being cut (Fig. 12).
2. Make the first cut one (1) foot (30.5 cm) from where the final cut will be (Fig. 13).
3. Cut to the outside of the branch collar to avoid damage to the tree (Fig. 14)

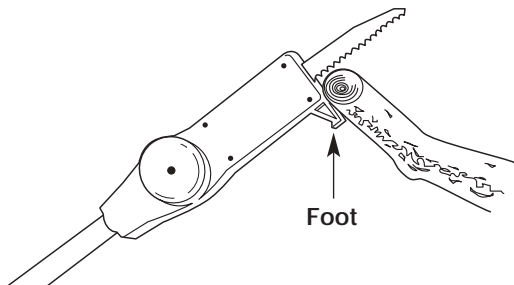


Fig. 12

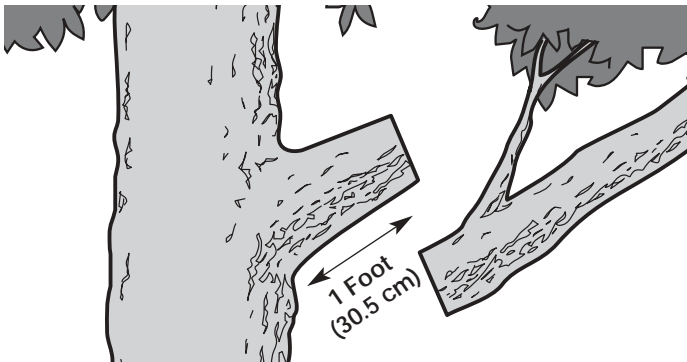


Fig. 13

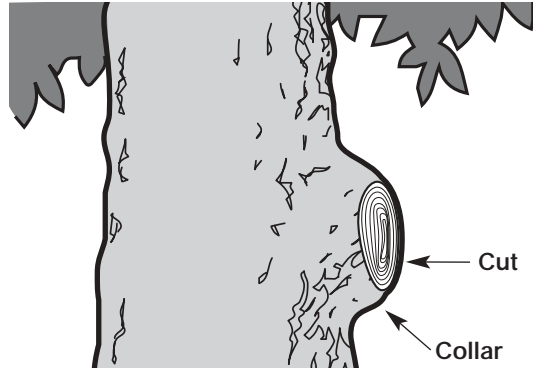


Fig. 14

## PRUNING TIPS

### Why Prune?

Trees need to be trained. If they are not, they may grow into a tangled and potentially dangerous area of the yard. Pruning is useful for sizing, shaping, removing broken branches and maintaining the health of the tree.

### When to Prune?

Pruning can be done at any time during the year. But, the best time is during the dormant (winter) season.

### What to Look for?

Finding problem areas in a tree can be difficult. Look for and remove:

- Dead or dying branches. Cut them back to a healthy branch or trunk because they may carry insects or diseases.
- Branch stubs. These occur when a prior pruning was done incorrectly or if a branch broke off during a storm. Cut the stubs back to the closest healthy branch or trunk.
- Future growth. If a tree limb is growing towards a fence or building, remove it early. The older the tree, the longer it takes for cutting wounds to heal.

### How to Prune Correctly

- Don't cause damage to the trunk bark by cutting too close to the trunk.
- Cut the branch so that the wound is as small as possible.
- Don't leave a long branch stub. It can lead to rot or insect infestation.
- Use a sharp blade to make cuts that are clean and smooth.

# MAINTENANCE AND REPAIR INSTRUCTIONS

## PRUNER BLADE REPLACEMENT



**WARNING:** To avoid serious personal injury, always wear gloves while handling, removing or installing the blade.



**WARNING:** The pruner housing gets hot after long periods of use. To avoid serious personal injury, do not touch the housing until it has cooled.

### Replacing the Blade

Replace the blade if:

- it is missing teeth, dull, bent or damaged.
- you are required to force the moving blade through wood.
- the engine slows excessively while cutting.
- every one (1) hour (accumulative) of actual cutting time.

1. Install the blade cover on the blade.
2. Remove the blade clamp screw, lock washer and blade clamp (Fig. 15).
3. Reinstall the blade following the steps under Installing the Blade in the assembly section.

### Cleaning the Blade

- Clean the blade after each use to remove pitch, gum, sap, etc.
- Clean the blade with commercially available saw blade cleaners that are available at your local hardware store.
- Discard the blade if it is missing teeth, dull, bent or damaged in any way.
- Always install the blade cover on the blade when not in use.

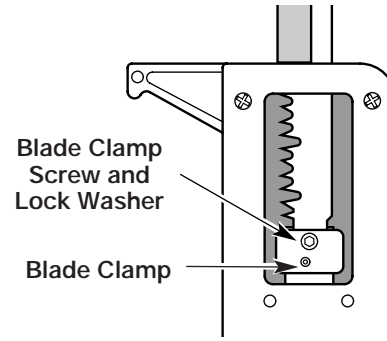


Fig. 15

## PRUNER GEAR HOUSING

All internal parts are lubricated at the factory and require no maintenance. Do not disassemble the pruner. Contact an authorized service dealer for any internal repairs.

### CLEANING

Use a small brush to clean off the outside of the unit. Do not use strong detergents. Household cleaners that contain aromatic oils such as pine and lemon, and solvents such as kerosene, can damage plastic housing or handle. Wipe off any moisture with a soft cloth.

### STORAGE

- Store the unit inside in a dry place, either locked up or up high to prevent unauthorized use or damage. Keep out of the reach of children.

### ACCESSORIES/REPLACEMENT PARTS

Blade (2 pack) . . . . .	791-180966B
Blade Clamp . . . . .	791-181155
Blade Clamp Screw and Lock Washer . . . . .	791-181156

Use only original Genuine Factory Parts™ replacement parts.

# SPECIFICATIONS

## TREE PRUNER ADD-ON

Unit Weight (Without Boom Extension) . . . . .	3 lbs. (1.36 kg.)
Unit Weight (Boom Extension) . . . . .	1.5 lbs. (0.68 kg.)
Unit Length (Without Boom Extension and Blade) . . . . .	33 inches (0.84 m)
Length of Boom Extension . . . . .	26 inches (0.66 m)
Blade Length (Maximum cut diameter) . . . . .	4 inches (10.16 cm)
Strokes per Minute . . . . .	Up to 2000
Shoulder Harness . . . . .	Quick Snap

## MANUFACTURER'S LIMITED WARRANTY FOR:



The limited warranty set forth below is given by MTD SOUTHWEST INC ("MTD") with respect with new merchandise purchased and used in the United States, its possessions and territories.

MTD warrants this product against defects in material and workmanship for a period of two (2) years commencing on the date of original purchase and will, at its option, repair or replace, free of charge, any part found to be defective in material or workmanship. This limited warranty shall only apply if this product has been operated and maintained in accordance with the Operator's Manual furnished with the product, and has not been subject to misuse, abuse, commercial use, neglect, accident, improper maintenance, alteration, vandalism, theft, fire, water, or damage because of other peril or natural disaster. Damage resulting from the installation or use of any accessory or attachment not approved by MTD for use with the product(s) covered by this manual will void your warranty as to any resulting damage.

This warranty is limited to ninety (90) days from the date of original retail purchase for any MTD product that is used for rental or commercial purposes, or any other income-producing purpose.

**HOW TO OBTAIN SERVICE:** Warranty service is available, WITH PROOF OF PURCHASE THROUGH YOUR LOCAL AUTHORIZED SERVICE DEALER. To locate the dealer in your area, please check for a listing in the Yellow Pages or contact the Customer Service Department of MTD SOUTHWEST INC by calling 1-800-345-8746 or writing to 550 N. 54th Street, Chandler, Arizona 85226 or if in Canada call 1-800-668-1238. No product returned directly to the factory will be accepted unless prior written permission has been extended by the Customer Service Department of MTD SOUTHWEST INC.

**This limited warranty does not provide coverage in the following cases:**

- A. Wear items - Blade
- B. MTD does not extend any warranty for products sold or exported outside of the United States of America, its possessions and territories, except those sold through MTD's authorized channels of export distribution

MTD reserves the right to change or improve the design of any TrimmerPlus® Product without assuming any obligation to modify any product previously manufactured.

**No implied warranty, including any implied warranty of merchantability or fitness for a particular purpose, applies after the applicable period of express written warranty above as to the parts as identified. No other express warranty or guaranty, whether written or oral, except as mentioned above, given by any person or entity, including a dealer or retailer, with respect to any product shall bind MTD. During the period of the Warranty, the exclusive remedy is repair or replacement of the product as set forth above.** (Some states do not allow limitations on how long an implied warranty lasts, so the above limitation may not apply to you.)

**The provisions as set forth in this Warranty provide the sole and exclusive remedy arising from the sales. MTD shall not be liable for incidental or consequential loss or damages including, without limitation, expenses incurred for substitute or replacement lawn care services, for transportation or for related expenses, or for rental expenses to temporarily replace a warranted product.** (Some states do not allow limitations on how long an implied warranty lasts, so the above limitation may not apply to you.)

In no event shall recovery of any kind be greater than the amount of the purchase price of the product sold. Alteration of the safety features of the product shall void this Warranty. You assume the risk and liability for loss, damage, or injury to you and your property and/or to others and their property arising out of the use or misuse or inability to use the product.

This limited warranty shall not extend to anyone other than the original purchaser, original lessee or the person for whom it was purchased as a gift.

**How State Law Relates to this Warranty:** This warranty gives you specific legal rights, and you may also have other rights which vary from state to state.

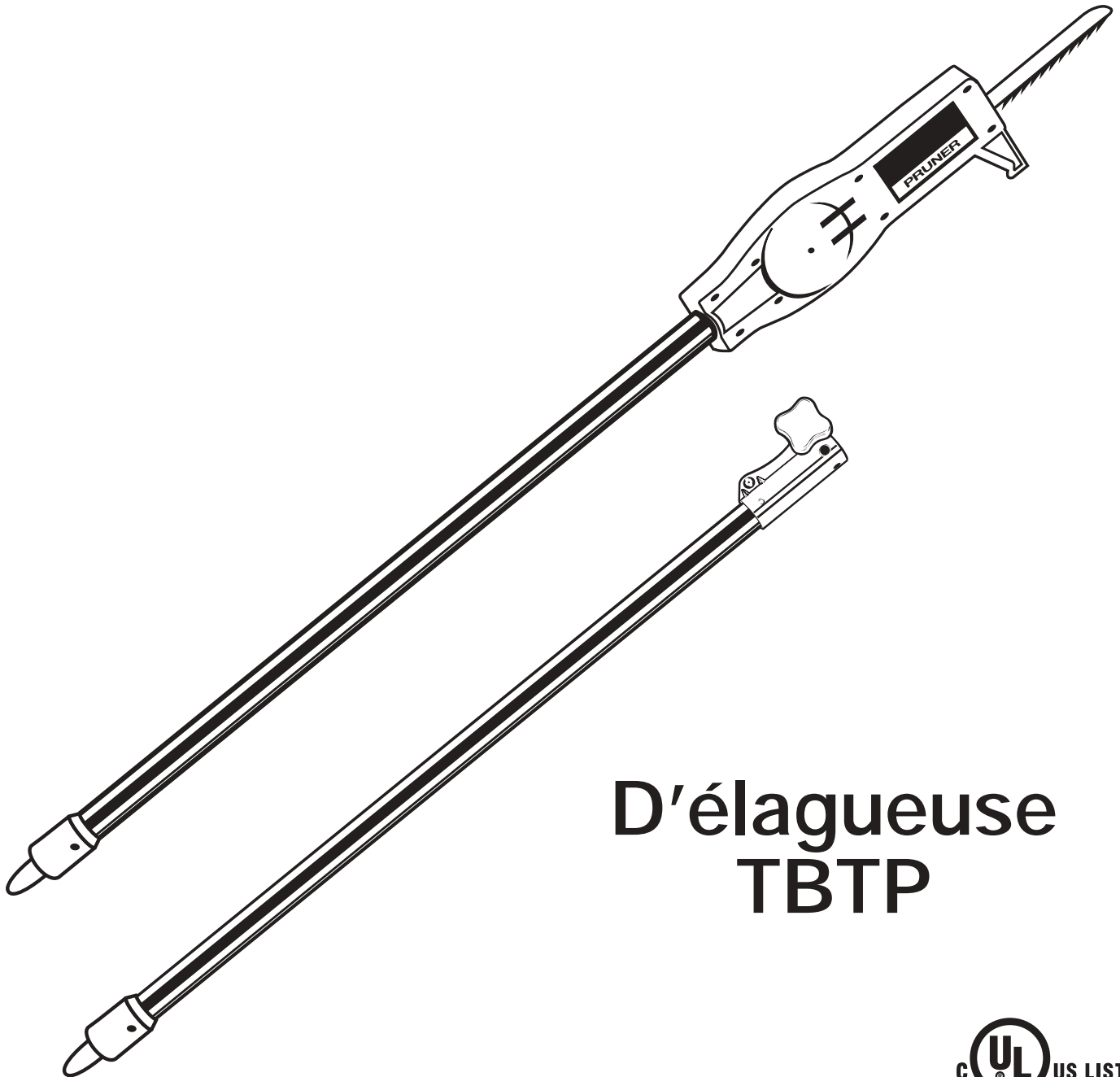
To locate your nearest service dealer dial 1-800-345-8746 in the United States or 1-800-668-1238 in Canada.

**MTD SOUTHWEST INC**

550 N. 54th Street  
Chandler, AZ 85226 U.S.A.



# Manuel de L'utilisateur



## D'élagueuse TBTP



**IMPORTANT: LISEZ LES RÈGLES ET CONSIGNES DE SÉCURITÉ SOIGNEUSEMENT**

P/N 769-00412 (8/02)  
PRINTED IN USA

# INTRODUCTION

## TOUS NOS REMERCIEMENTS

Nous vous remercions d'avoir acheté ce produit de qualité. Cet outil moderne de plein air est conçu pour vous rendre service pendant longtemps. Il vous sauvera beaucoup de temps comme vous pourrez vous en rendre compte. Ce manuel de l'utilisateur comporte un mode d'emploi facile à comprendre. Prenez soin de le lire au complet et de respecter toutes les instructions pour conserver votre outil en excellent état de fonctionnement.

## RÉFÉRENCES, ILLUSTRATIONS ET SPÉCIFICATIONS RELATIVES AU PRODUIT

Toutes les informations, illustrations et spécifications contenues dans ce manuel tiennent compte des dernières informations techniques disponibles au moment de mettre sous presse. Nous nous réservons le droit de les modifier à tout moment, sans préavis.

Copyright ©2002 MTD SOUTHWEST INC  
Tous droits réservés.

Troy-BiltMD est une marque déposée de  
MTD PRODUCTS INC

### ENTRETIEN

L'entretien de cet appareil pendant et en dehors de la période de garantie devrait être réalisé par un concessionnaire agréé.

Téléphonez au :

- 1-330-558-7220

ou

- 1-866-840-6483 pour obtenir une liste des concessionnaires agréés les plus proches.

**NE RETOURNEZ PAS L'APPAREIL CHEZ LE  
DETAILLANT.**

**REMARQUE : FACTURE D'ACHAT EXIGÉE  
POUR LE SERVICE SOUS GARANTIE.**

Prenez soin de lire et de bien comprendre ce manuel avant de démarrer ou de faire fonctionner cet équipement.

CE PRODUIT EST COUVERT PAR UN OU PLUSIEURS BREVETS AMÉRICAINS, ET D'AUTRES SONT EN INSTANCE.

# AVERTISSEMENT !

Lisez le(s) manuel(s) de l'utilisateur et suivez tous les avertissements et consignes de sécurité. Vous pourriez à défaut entraîner des blessures graves pour vous ou d'autres personnes.

# TABLE DES MATIÈRES

I.	Consignes de sécurité . . . . .	F3-F6
	A. Importantes consignes de sécurité . . . . .	F3-F4
	B. Symboles de sécurité et internationaux . . . . .	F4-F5
	C. Familiarisez-vous avec votre appareil . . . . .	F6
II.	Instructions de montage . . . . .	F7
	A. Installation de la lame . . . . .	F7
	B. Installation et réglage du harnais d'épaule . . . . .	F7
III.	Mode d'emploi . . . . .	F8-F9
	A. Montage du coupleur . . . . .	F8
	B. Utilisation de l'élagueuse . . . . .	F9
	C. Conseils pour bien élaguer . . . . .	F9
IV.	Entretien et réparations . . . . .	F10
	A. Remplacement de la lame de l'élagueuse . . . . .	F10
	B. Nettoyage . . . . .	F10
	C. Entreposage . . . . .	F10
	D. Accessoires/Pièces de rechange . . . . .	F10
V.	Caractéristiques . . . . .	F11
VI.	Garantie . . . . .	F12

## CONTENU DE L'EMBALLAGE

Cet appareil comporte les éléments suivants :

- Accessoire d'élagueuse TBTP
- Lame et couvercle de lame
- Vis et rondelle de blocage du serre-lame
- Extension de bras
- Crochet
- Clé Allen 9/64"
- Bandoulière
- Manuel de l'utilisateur
- Carte d'enregistrement du produit

**REMARQUE :** ce produit est prévu pour être utilisé sur une tête d'entraînement à gaz ou électrique.

# CONSIGNES DE SÉCURITÉ

Les symboles de sécurité attirent votre attention sur des dangers potentiels. Ces symboles et leurs détails explicatifs méritent que vous les lisiez et compreniez bien. Les avertissements de sécurité ne peuvent éviter les dangers de par eux-mêmes. Les consignes ou mises en garde qu'ils donnent ne remplacent pas des mesures préventives appropriées contre les accidents.

SYMBOLE	SIGNIFICATION
---------	---------------



**SYMBOLE ALERTE DE SÉCURITÉ** : indique un danger, un avertissement ou une mise en garde. Soyez vigilant afin d'éviter toute blessure grave. Ce symbole peut être combiné à d'autres symboles ou pictogrammes.

**REMARQUE** : donne des informations ou des instructions vitales pour le fonctionnement ou l'entretien de l'équipement.



**DANGER** : le non-respect d'un avertissement peut causer dommages matériels ou blessures graves pour tous. Respectez les consignes de sécurité afin de réduire les risques d'incendie, de choc électrique et de blessures



**AVERTISSEMENT** : le non-respect d'un avertissement peut causer dommages matériels ou blessures graves pour tous. Respectez les consignes de sécurité afin de réduire les risques d'incendie, de choc électrique et de blessures



**MISE EN GARDE** : le non-respect d'un avertissement peut causer dommages matériels ou blessures graves pour tous. Respectez toujours les consignes de sécurité afin de réduire les risques d'incendie, de choc électrique et de blessures.

## • IMPORTANTES CONSIGNES DE SÉCURITÉ •

### LISEZ TOUTES LES INSTRUCTIONS



**AVERTISSEMENT** : suivez soigneusement les consignes de sécurité lorsque vous utilisez cet appareil. Dans l'intérêt de votre sécurité et de celle des personnes à proximité, prenez soin de lire ces instructions avant de faire fonctionner l'appareil. Veuillez garder les instructions en lieu sûr pour usage ultérieur.

### AVANT L'UTILISATION

- Prenez soin de bien lire et comprendre le manuel de l'appareil qui alimente cet accessoire.
- Veuillez lire le manuel de l'utilisateur attentivement. Familiarisez-vous avec les commandes et l'utilisation correcte de l'appareil. Sachez comment arrêter l'appareil et désactiver les commandes rapidement.
- N'utilisez pas l'appareil si vous êtes fatigué, malade ou sous l'effet de l'alcool, de drogues ou de médicaments.
- Ne laissez pas les enfants faire fonctionner l'appareil. Ne laissez jamais des adultes qui ne se sont pas familiarisés avec les instructions utiliser l'appareil. Ne laissez jamais des adultes n'ayant jamais reçu les instructions nécessaires faire fonctionner l'appareil.
- Tous les accessoires de sécurité et protections doivent être correctement installés avant d'utiliser cet appareil.
- Inspectez l'appareil avant utilisation. Assurez-vous que la lame est bien mise.
- Tenez les visiteurs, surtout les enfants et les animaux familiers à une distance d'au moins 15 m (50 pi).

### AVERTISSEMENTS DE SÉCURITÉ SPÉCIAUX POUR LES TÊTES D'ENTRAÎNEMENT À ESSENCE ET LES ÉLAGUEUSES



**AVERTISSEMENT**: l'essence est extrêmement inflammable et ses vapeurs peuvent exploser si on y met le feu. Veuillez prendre les précautions suivantes :

- Ne stockez le carburant que dans des contenants spécialement conçus et homologués pour le stockage de ce type de matières.

- Arrêtez toujours le moteur et laissez-le refroidir avant de remplir le réservoir de carburant. N'enlevez jamais le bouchon du réservoir et n'ajoutez jamais de carburant pendant que le moteur est chaud. Ne faites jamais fonctionner l'appareil sans que le bouchon de carburant soit bien mis. Desserrez lentement le bouchon afin de réduire la pression du réservoir.
- Mélangez et ajoutez le carburant dans un endroit bien aéré et propre en plein air à l'abri des étincelles ou des flammes. N'enlevez lentement le bouchon du réservoir d'essence qu'après avoir arrêté le moteur. Ne fumez pas pendant le remplissage ou le mélange de carburant. Essayez immédiatement tout déversement de carburant de l'appareil.
- Évitez de créer une source d'allumage pour le carburant déversé. Ne démarrez pas le moteur avant que les vapeurs de carburant ne se soient dissipées.
- Éloignez l'appareil d'au moins 9.1 m (30 pi) de la source de ravitaillement en carburant avant de démarrer le moteur. Ne fumez pas et éloignez toute source d'étincelles ou de flammes vives du lieu de ravitaillement ou de fonctionnement de l'appareil.
- Évitez de démarrer ou de faire marcher l'appareil à l'intérieur d'une pièce ou d'un bâtiment fermé. La respiration de fumées d'échappement peut tuer. Ne faites fonctionner cet appareil qu'à l'extérieur, dans un endroit bien aéré.

### AVERTISSEMENTS DE SÉCURITÉ SPÉCIAUX POUR LES TÊTES D'ENTRAÎNEMENT ÉLECTRIQUES ET LES ÉLAGUEUSES

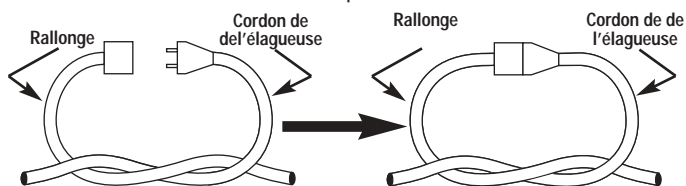


**AVERTISSEMENT** : afin de diminuer les risques d'électrocution, utilisez uniquement des rallonges homologuées pour l'usage à l'extérieur : type SW-A, SOW-A, STW-A, STOW-A, SJW-A, SJOW-A, SJTW-W ou SJTOW-A. Vous pourrez vous en procurer chez votre détaillant. Utilisez uniquement des rallonges à prise ronde, homologuées pour l'usage à l'extérieur.

- **CORDONS** : assurez-vous que votre cordon est en bon état et assez solide pour transporter le courant nécessaire à l'appareil. Il peut sinon provoquer une chute de tension entraînant une panne de courant et une surchauffe. Reportez-vous au calibre de cordon recommandé dans le manuel de l'utilisateur de l'appareil motorisé.

# CONSIGNES DE SÉCURITÉ

- Inspectez régulièrement toutes les rallonges ainsi que la connexion d'alimentation de l'appareil. Soyez à l'affût de signes de détérioration, de coupures ou de fissures dans l'isolation. Vérifiez aussi que les connexions ne sont pas endommagées. Remplacez les cordons défectueux ou endommagés.
- Évitez que la tête d'entraînement de l'élagueuse ne se déconnecte de la rallonge en utilisant une sangle de fixation ou un connecteur de retenue de la fiche et de la prise, ou en faisant un nœud comme indiqué ci-dessous :



- Évitez les lieux dangereux. N'utilisez jamais l'appareil dans des conditions humides ou mouillées. L'humidité peut provoquer l'électrocution.
- N'utilisez pas l'appareil sous la pluie. Ne l'utilisez pas à proximité de l'eau.
- Ne manipulez pas la prise ou l'appareil les mains mouillées ou debout sur une surface mouillée.
- N'approchez pas l'élagueuse des lignes ou fils électriques.
- Ne laissez pas l'appareil branché quand il ne sert pas, lors d'un entretien ou d'un changement d'accessoires.

## PENDANT L'UTILISATION

- Portez des lunettes de sécurité conformes aux normes ANSI Z87.1 ainsi que des protège-oreilles durant l'utilisation de l'appareil. Portez un masque facial ou antipoussières si vous travaillez dans un lieu poussiéreux.
- Portez des pantalons épais et longs, des bottes et des gants. Ne marchez pas pieds nus et ne portez pas les articles suivants : vêtements lâches, bijoux, pantalons courts, sandales. Relevez les cheveux au-dessus du niveau des épaules.
- N'utilisez l'appareil qu'en plein jour ou avec un bon éclairage artificiel.
- Ne forcez pas ni ne surchargez l'appareil. Il accomplira un travail de meilleure qualité, en présentant moins de dangers, si vous respectez la cadence nominale pour laquelle il a été conçu.
- Pour réduire les risques de choc électrique, n'approchez pas l'élagueuse des lignes ou fils électriques.
- Utilisez les outils appropriés. Utilisez l'appareil strictement selon les consignes du manuel et pas pour des tâches autres que celles pour lesquelles il a été conçu.
- Ne vous étirez pas. Tenez-vous toujours bien campé, en position d'équilibre.
- Tenez toujours l'appareil des deux mains lorsque vous le faites marcher. Agrippez fermement les poignées avant et arrière.
- La lame continue de tourner à vide une fois le moteur éteint et peut donc causer des blessures graves. Gardez le contrôle jusqu'à ce qu'elle se soit immobilisée.
- Gardez les mains, le visage et les pieds éloignés des pièces mobiles. N'essayez pas de toucher ni d'arrêter la lame en mouvement.

- Ne faites pas tourner le moteur à un régime excessif pour l'élagage. Ne faites pas tourner l'appareil à haut régime si vous ne faites pas d'élagage.
- Arrêtez toujours l'appareil si vous suspendez la coupe ou si vous vous déplacez d'un lieu de travail vers un autre.
- Si vous heurtez ou happez un corps étranger, arrêtez le moteur immédiatement et vérifiez que rien n'a été endommagé. Réparez tout dommage éventuel avant de poursuivre le travail. N'utilisez pas l'appareil si la lame est tordue, fendillée ou émoussée. Jetez toute lame tordue, fendillée ou émoussée.
- Arrêtez le moteur IMMÉDIATEMENT si vous ressentez une vibration excessive car cela indique un problème. Vérifiez soigneusement qu'il n'y a ni écrous ni boulons desserrés, ni aucun dommage avant de continuer. Réparez ou remplacez au besoin les pièces affectées.
- Arrêtez et éteignez l'appareil dans ces cas-ci : entretien, réparation, changement d'accessoires ou autres.
- N'utilisez que des pièces de rechange et accessoires Genuine Factory PartsMC pour cet appareil. Ils sont disponibles auprès de votre concessionnaire agréé. L'utilisation de tous accessoires ou pièces non-agrées peut entraîner des blessures graves à l'utilisateur ou des dégâts à l'appareil, et annuler votre garantie.

## AUTRES AVERTISSEMENTS DE SÉCURITÉ

- Laissez l'appareil refroidir avant de l'entreposer ou de le transporter. Attachez bien l'appareil pendant le transport.
- Rangez l'appareil dans un lieu sec, verrouillé ou élevé pour éviter les accidents ou une utilisation non autorisée. Gardez hors de portée des enfants.
- Ne trempez et n'arrosez jamais l'appareil avec de l'eau ou tout autre liquide. Gardez les poignées sèches, propres et exemptes de débris. Nettoyez après chaque usage. Voir **Nettoyage et Entreposage**.
- Conservez ces instructions. Consultez-les souvent et servez-vous en pour instruire d'autres usagers. Si vous prêtez l'appareil à quelqu'un, prêtez-lui également ces instructions.
- Les réparations ou les procédures d'entretien qui ne sont pas décrites dans le manuel doivent être strictement confiées à des techniciens qualifiés.
- Vérifiez à intervalles fréquents que les boulons des forces à tondre et les boulons de montage du moteur et autres sont bien serrés afin de vous assurer que l'équipement fonctionne correctement.
- Reportez-vous toujours aux importantes instructions du manuel de l'utilisateur si vous prévoyez d'entreposer l'appareil pendant une durée prolongée.
- N'essayez pas de réparer l'appareil à moins de disposer des outils appropriés et des instructions de démontage et de réparation de la machine.

## CONSERVEZ CES INSTRUCTIONS



# CONSIGNES DE SÉCURITÉ

## SYMBOLES DE SÉCURITÉ ET INTERNATIONAUX

Ce manuel de l'utilisateur décrit les symboles et pictogrammes de sécurité et internationaux pouvant apparaître sur ce produit. Consultez le manuel de l'utilisateur pour les informations concernant la sécurité, le montage, le fonctionnement, l'entretien et les réparations.

### SYMBOLE

### SIGNIFICATION



#### • SYMBOLE D'ALERTE DE SÉCURITÉ

Indique un danger, un avertissement ou une mise en garde. Ce symbole peut être combiné à d'autres symboles ou pictogrammes.



#### • AVERTISSEMENT - LISEZ LE MANUEL DE L'UTILISATEUR

Lisez le manuel de l'utilisateur et suivez tous les avertissements et consignes de sécurité. Vous pourriez à défaut entraîner des blessures graves pour vous ou d'autres personnes.



#### • PORTEZ DES PROTECTIONS (YEUX ET OREILLES)

**AVERTISSEMENT** : les outils électriques peuvent projeter des objets et faire beaucoup de bruit, ce qui peut gravement blesser les yeux et endommager l'ouïe. Portez toujours des lunettes de sécurité conformes aux normes ANSI Z87.1 ainsi que des protège-oreilles durant l'utilisation de l'appareil. Protégez-vous le visage avec un masque intégral au besoin.



#### • ÉLOIGNEZ LES SPECTATEURS

**AVERTISSEMENT** : éloignez les spectateurs, les enfants et les animaux domestiques en particulier, d'au moins 15 m (50 pi) de la zone de coupe.



#### • LES OBJETS PROJETÉS ET LA LAME ALTERNATIVE PEUVENT CAUSER DES BLESSURES GRAVES

**AVERTISSEMENT** : inspectez l'appareil avant utilisation. N'utilisez pas l'appareil si la lame est tordue, fendillée ou émoussée. Restez à l'écart de la lame.



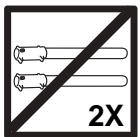
#### • LAME TRANCHANTE

**AVERTISSEMENT** : la lame est tranchante, ne la touchez pas. Pour éviter toutes blessures graves, portez toujours des gants lors du changement ou de la manipulation de la lame.



#### • PROTÉGEZ-VOUS LA TÊTE

**AVERTISSEMENT** : la chute d'objets peut causer des blessures graves à la tête. Protégez-vous la tête pendant l'utilisation de l'appareil.



#### • EXTENSIONS DE BRAS

**AVERTISSEMENT** : pour éviter les blessures graves, n'utilisez pas plus d'une extension de bras avec l'accessoire d'élagage.

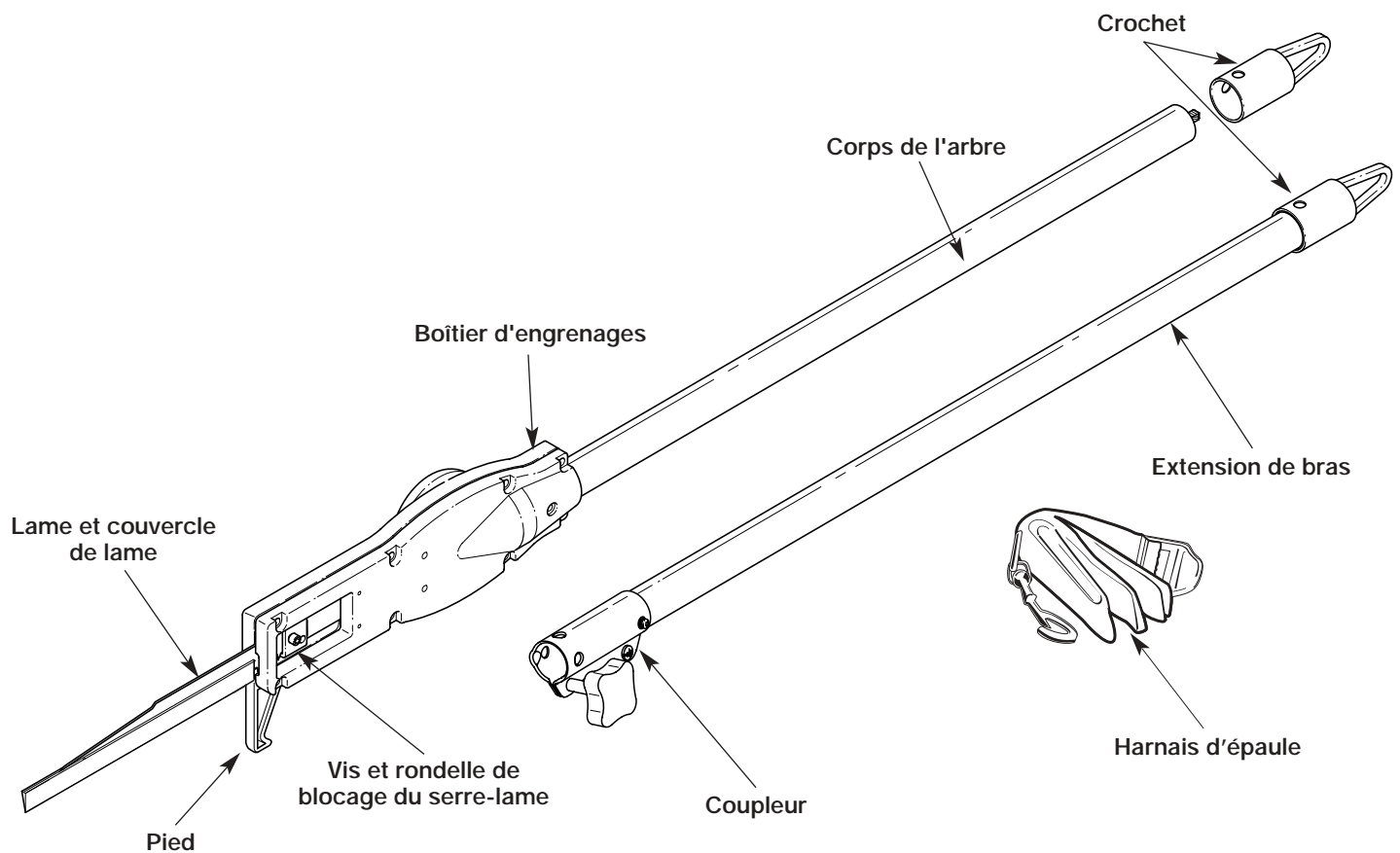
# CONSIGNES DE SÉCURITÉ

## FAMILIARISEZ-VOUS AVEC L'APPAREIL

### APPLICATIONS

Avec l'accessoire d'élagage :

- Pour élaguer des branches mesurant jusqu'à 10 cm (4 po) de diamètre.



# INSTRUCTIONS DE MONTAGE

## INSTALLATION DE LA LAME

1. Glissez le couvercle de la lame au-delà de l'extrémité de la lame pour exposer le trou de l'axe.
2. Insérez la lame dans l'extrémité du carter d'élagueuse et installez-la sur l'axe (fig. 1). Les dents de la lame doivent être du côté du pied.
3. Installez le serre-lame sur la lame et l'axe. Posez la vis avec la rondelle de blocage et serrez-la bien avec la clé Allen (fig. 2).
4. Avant de faire marcher l'appareil, retirez complètement le couvercle de la lame (fig. 3). Rangez-le pour un usage ultérieur.

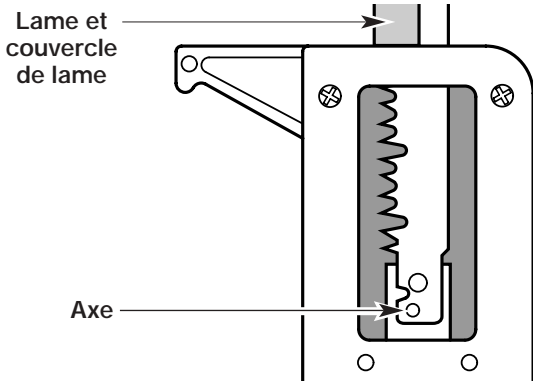


Fig. 1

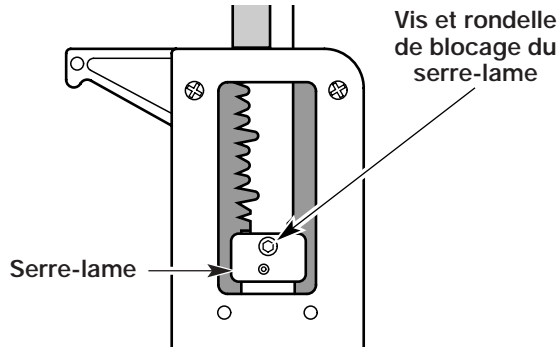


Fig. 2

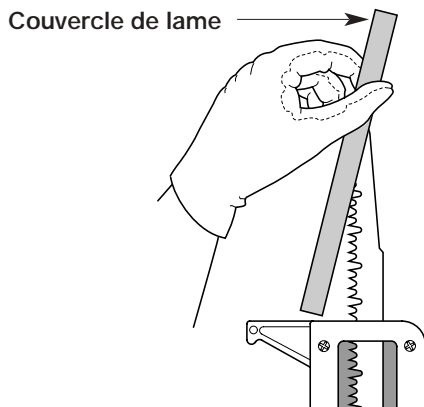


Fig. 3

## INSTALLATION ET RÉGLAGE DU HARNAIS D'ÉPAULE

1. Faites passer la bandoulière au centre de la boucle.
  2. Tirez la bandoulière par-dessus la traverse et à travers la fente de la boucle (fig. 4).
  3. Accrochez-la au raccord de soutien (fig. 5).
  4. Tenez-vous en position et réglez la longueur en fonction de votre taille.
- Rallongez le harnais en tirant dessus et en tirant la boucle vers le haut (fig. 6).
  - Raccourcissez le harnais en le tirant en sens inverse à travers la boucle tout en retenant la boucle (fig. 6).

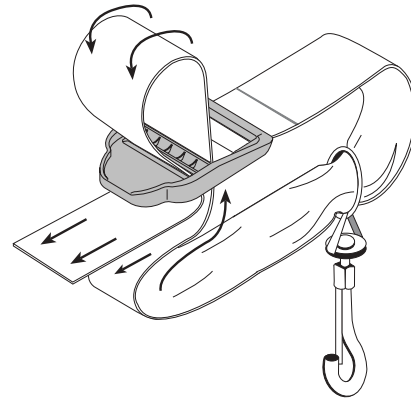


Fig. 4

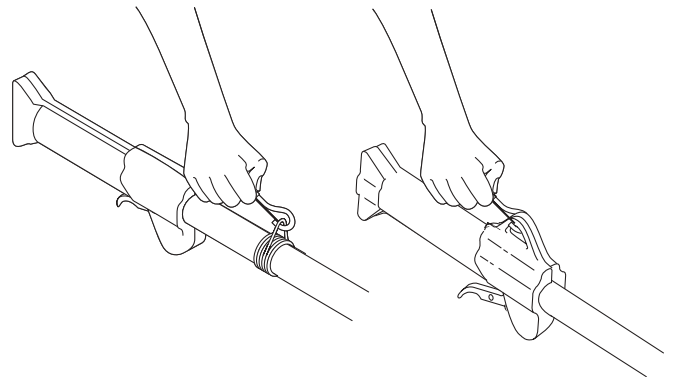


Fig. 5

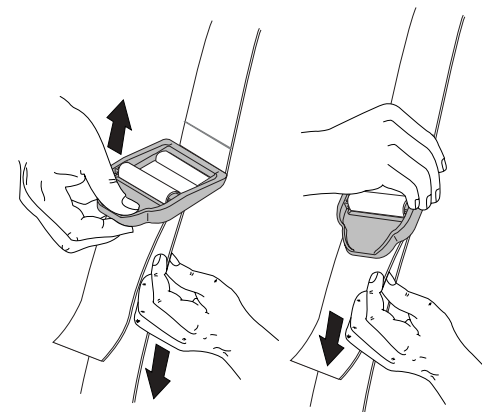


Fig. 6

# MODE D'EMPLOI

## MONTAGE DU COUPLEUR

Les accessoires Troy-Bilt suivants sont également disponibles pour votre appareil :

Souffleuse/aspirateur .....	TBBV
Cultivateur .....	TBGC
Taille-haies .....	TBHS
Coupe-bordure .....	TBLE
Désherbeuse à arbre droit .....	TBSS
Souffleuse à neige .....	TBST
Turbosouffleuse .....	TBTB

### Retrait de l'accessoire :



**AVERTISSEMENT** : veuillez bien assimiler le manuel des accessoires avant utilisation.

1. Dévissez le bouton vers la gauche (fig. 7).
2. Appuyez sur le bouton de déclenchement et maintenez-le enfoncé (fig. 7).
3. Tenez fermement le corps de l'arbre supérieur et retirez l'accessoire d'élagage du coupleur (fig. 8).

### Installation de l'accessoire :



**AVERTISSEMENT** : pour éviter des blessures graves, éteignez l'appareil avant d'enlever ou d'installer des accessoires.

**REMARQUE** : pour faciliter l'installation ou le retrait d'accessoires, placez l'appareil au sol ou sur un établi.

1. Dévissez le bouton vers la gauche (fig. 7).
2. Tenez fermement l'accessoire et enfoncez-le tout droit dans le coupleur (fig. 8).
3. Tenez fermement l'accessoire et enfoncez-le tout droit dans le coupleur (Fig. 2).

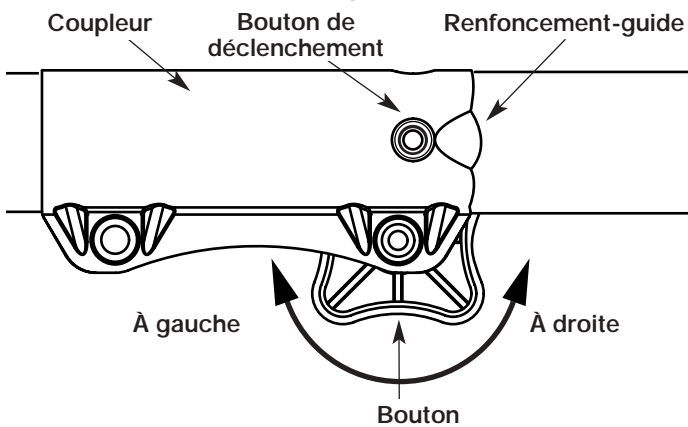


Fig. 7

**REMARQUE** : alignez le bouton de déclenchement avec le renforcement-guide pour faciliter l'installation (fig. 7).

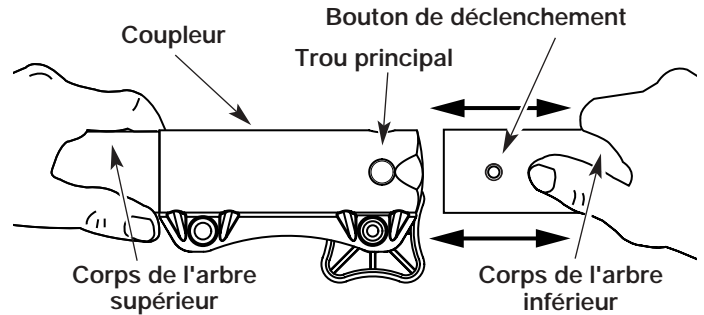


Fig. 8

4. Serrez le bouton en le tournant à droite (fig. 9).



**MISE EN GARDE** : verrouillez le bouton de déclenchement dans le trou principal (fig. 8) et vissez bien le bouton avant de faire marcher l'appareil.



Fig. 9



**AVERTISSEMENT** : L'accessoire d'élagage avec le système de couplage doit être utilisé uniquement dans le trou principal. L'utilisation du mauvais trou peut entraîner des blessures ou endommager l'appareil.

### Installation de l'extension de bras :

Lors de l'utilisation de l'extension de bras, suivez les points 1 à 3 sous **Installation de l'accessoire de coupe ou autre**. Installez l'extension sur la tête d'entraînement, puis répétez les points concernant l'installation de l'accessoire d'élagage sur l'extension.

### Vérifiez que le bras flexible est bien engagé avant l'utilisation

1. Démarrez l'appareil.
2. Appuyez brièvement sur la détente, puis relâchez-la.
3. Vérifiez le fonctionnement de l'accessoire.
4. S'il ne fonctionne pas, retirez-le et répétez la procédure d'installation.
5. Vérifiez de nouveau le fonctionnement de l'accessoire.

# MODE D'EMPLOI

## UTILISATION DE L'ÉLAGUEUSE



**AVERTISSEMENT** : portez toujours des protections (yeux, oreilles, pieds et corps) pour diminuer les risques de blessure durant l'utilisation de l'appareil.

Avant de faire marcher l'appareil, tenez-vous en position de travail (fig. 10 et 11). Vérifiez ces points-ci :

- L'opérateur porte un écran facial, un casque et des vêtements appropriés.
- Le harnais est bien mis.
- La poignée est réglée de façon à assurer une bonne prise.
- L'opérateur a une bonne prise sur la manette des gaz et la poignée.

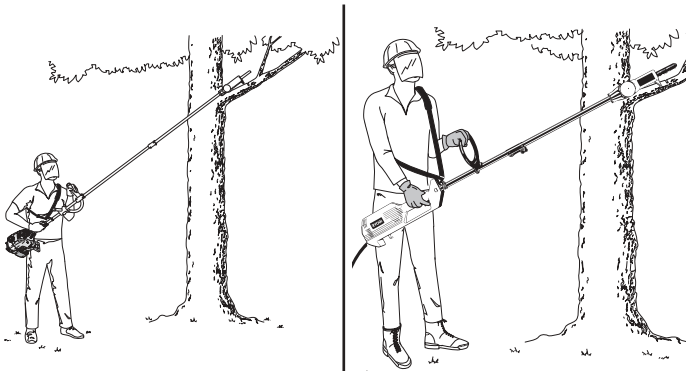


Fig. 10

Fig. 11

1. Pendant l'élagage, appuyez le pied de l'élagueuse contre la branche d'arbre à couper (fig. 12).
2. Effectuez la première coupe à 30,5 cm (1 pi) de l'emplacement de la coupe finale (fig. 13).
3. Coupez vers l'extérieur du collet de la branche pour éviter d'endommager l'arbre (fig. 14).

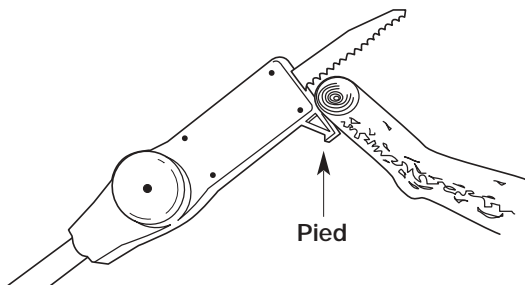


Fig. 12

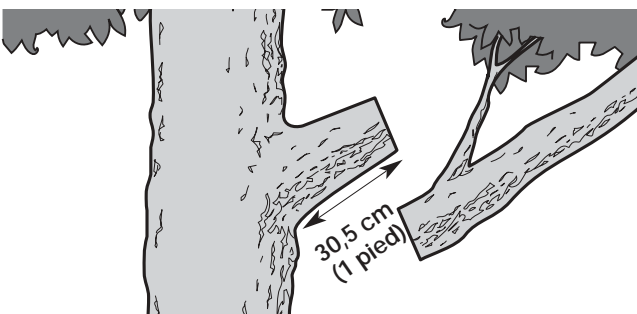


Fig. 13

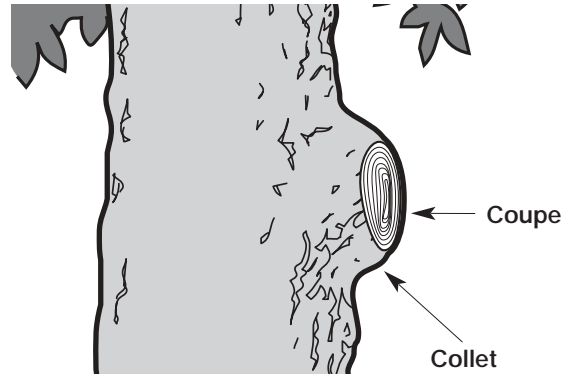


Fig. 14

## CONSEILS POUR BIEN ÉLAGUER

### Pourquoi l'élagage?

La croissance des arbres doit être contrôlée sinon ceux-ci peuvent pousser dans une section touffue et potentiellement dangereuse du terrain. L'élagage s'avère utile pour contrôler la taille et la forme de l'arbre, éliminer les branches brisées et assurer la santé de l'arbre.

### Quand faut-il élaguer?

L'élagage peut être fait durant toute l'année, mais de préférence durant la saison morte (l'hiver).

### À quoi faut-il faire attention?

Il peut être difficile de déceler les problèmes potentiels menaçant la santé d'un arbre. Par conséquent, soyez à l'affût des éléments suivants et éliminez-les :

- Branches mortes ou mourantes. Coupez-les pour ne laisser qu'une branche ou un tronc en santé car elles peuvent abriter des insectes ou des maladies.
- Ergots de branche. Ceux-ci peuvent résulter d'un élagage maladroit antérieur ou d'une cassure de branche après un orage. Coupez-les pour ne laisser qu'une branche ou un tronc en santé.
- Croissance future. Si une branche d'arbre croit vers une clôture ou un bâtiment, coupez-la le plus tôt possible. Plus l'arbre est vieux, plus les plaies de coupe prennent du temps à guérir.

### Pour élaguer correctement

- N'endommagez pas l'écorce en coupant trop près du tronc.
- Coupez la branche afin que la plaie soit aussi petite que possible.
- Ne laissez pas de longs ergots car ils peuvent pourrir ou être infectés par des insectes.
- Utilisez une lame tranchante pour effectuer des coupes nettes.

# ENTRETIEN ET RÉPARATIONS

## REMPACEMENT DE LA LAME



**AVERTISSEMENT** : Pour éviter des blessures graves, portez des gants lorsque vous manipulez, retirez ou installez la lame.



**AVERTISSEMENT** : Le carter de l'élagueuse chauffe après une utilisation prolongée. Pour éviter des blessures graves, ne le touchez pas jusqu'à ce qu'il ait refroidi.

## Remplacement de la lame

Remplacez la lame dans les cas suivants :

- Des dents manquent, sont émoussées, tordues ou endommagées.
- Vous devez forcer pour faire avancer la lame dans le bois.
- Le moteur ralentit trop pendant la coupe.
- Toutes les heures de coupe réelle.

1. Posez le couvercle sur la lame.
2. Retirez la vis du serre-lame, la rondelle de blocage et le serre-lame (fig. 15).
3. Remettez la lame en place en suivant les points énoncés sous **Installation de la lame** à la section Montage.

## Nettoyage de la lame

- Nettoyez la lame après chaque utilisation pour éliminer toute trace de résidu, gomme, sève etc.
- Nettoyez la lame avec un nettoyant de lame de scie disponible dans la quincaillerie la plus proche.
- Jetez la lame si des dents manquent, sont émoussées, tordues ou endommagées d'une manière quelconque.
- Installez toujours le couvercle sur la lame quand celle-ci n'est pas utilisée.

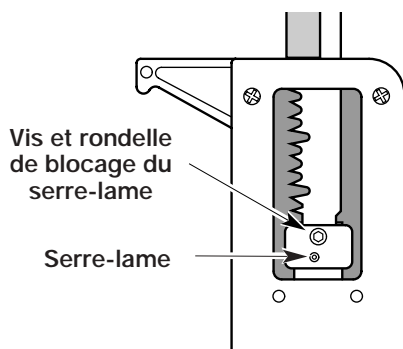


Fig. 15

## BOÎTIER D'ENGRENAGES DE L'ÉLAGUEUSE

Toutes les pièces internes sont lubrifiées en usine et ne nécessitent aucun entretien. Ne démontez pas l'élagueuse. Faites effectuer les réparations internes par un concessionnaire agréé.

## NETTOYAGE

Nettoyez l'extérieur de l'appareil à l'aide d'une petite brosse. N'utilisez pas de détergents concentrés. Les nettoyants ménagers contenant des huiles aromatiques tel que le pin et le citron, et les solvants tel que le kérosène peuvent endommager le boîtier ou la poignée en plastique. Essuyez toute trace d'humidité à l'aide d'un tissu doux.

## ENTREPOSAGE

- Rangez l'appareil dans un lieu sec, verrouillé ou élevé pour éviter les accidents ou une utilisation non autorisée. Gardez hors de portée des enfants.

## ACCESSOIRES/PIÈCES DE RECHANGE

Lame (2 en module) . . . . .791-180966B

Serre-lame . . . . .791-181155

Vis et rondelle de blocage du serre-lame . . .791-181156

N'utilisez que des pièces de rechange originales Genuine Factory Parts<sup>MC</sup>

# CARACTÉRISTIQUES

## ACCESSOIRE D'ÉLAGAGE

Poids de l'appareil (sans extension de bras) . . . . .	1,36 kg (3 lb)
Poids de l'appareil (avec extension de bras) . . . . .	0,68 kg (1,5 lb)
Longueur de l'appareil (sans extension de bras ni lame) . . . . .	0,84 m (33 po)
Longueur de l'extension de bras . . . . .	0,66 m (26 po)
Longueur de la lame (Diamètre de coupe maximum) . . . . .	10,16 cm (4 po)
Coupes par minute . . . . .	Jusqu'à 2000
Harnais d'épaule . . . . .	Fermeture rapide

## GARANTIE LIMITÉE DU FABRICANT POUR:



La garantie limitée énoncée ci-après est accordée par Troy-Bilt LLC et concerne les marchandises neuves achetées et utilisées aux États-Unis, ses possessions et territoires.

Troy-Bilt LLC garantit ce produit contre tout vice de matière ou de façon pendant une période de deux (2) ans à compter de la date d'achat initiale et elle se réserve le choix de réparer ou de remplacer, à titre gratuit, toute pièce présentant un vice de matière ou de façon. Cette garantie limitée ne s'appliquera que dans la mesure où le produit aura été utilisé et entretenu conformément au Manuel de l'utilisateur fourni avec le produit et n'aura pas fait l'objet d'un usage inadéquat, abusif, commercial ou négligent, d'un accident, d'un entretien inadéquat, d'une modification, de vandalisme, d'un vol, d'un incendie, de dégâts d'eau ou d'un endommagement résultant d'un autre péril ou d'un désastre naturel. Les dommages résultants de l'installation ou de l'utilisation de tout accessoire ou équipement non approuvé par Troy-Bilt pour une utilisation avec le(s) produit(s) couvert(s) par le présent manuel annuleront la garantie en ce qui concerne les dommages qui en résulteraient éventuellement. La présente garantie est limitée à quatre-vingt-dix (90) jours à compter de la date d'achat au détail initiale pour tout produit Troy-Bilt utilisé à des fins locatives ou commerciales, ou toute utilisation produisant des revenus.

**POUR L'OBTENTION DU SERVICE DE GARANTIE :** le service au titre de la garantie est disponible, SUR PRÉSENTATION D'UNE PREUVE D'ACHAT, AUPRÈS DU DISTRIBUTEUR AGRÉÉ LOCAL. Pour trouver un distributeur dans votre région, visitez notre site Web [www.troybilt.com](http://www.troybilt.com), consultez les Pages Jaunes, appelez le 1 (866) 840-6483 ou le 1 (330) 558-7220 ou écrivez à l'adresse P.O. Box 361131, Cleveland, OH 44136-0019.

**La garantie limitée n'offre aucune couverture dans les cas suivants :**

- A. Mises au point : bougies, réglages de carburateur, filtres
- B. Éléments pouvant s'user : boutons de butée, bobines extérieures, fil de coupe, moulins intérieurs, poulie du démarreur, cordons de démarrage, courroies d'entraînement
- C. Troy-Bilt LLC n'accorde aucune garantie pour les produits vendus ou exportés des États-Unis d'Amérique, de leurs possessions et territoires, exception faite en ce qui concerne les produits vendus par l'intermédiaire de ses canaux agréés de distribution à l'exportation.

Troy-Bilt LLC se réserve le droit de modifier ou d'améliorer la conception de ses produits sans pour autant assumer l'obligation de modifier tout produit d'une fabrication plus ancienne.

**Aucune garantie implicite, y compris toute garantie de valeur marchande ou d'adaptation à une fin particulière, ne s'applique après la période applicable de garantie expresse écrite ci-dessus concernant les pièces qui sont identifiées. Aucune autre garantie ou caution expresse, écrite ou orale, à l'exception de celle mentionnée ci-dessus, accordée par toute personne ou entité, y compris tout distributeur ou détaillant, concernant tout produit n'engagera la responsabilité de Troy-Bilt LLC. Pendant la période de garantie, le recours exclusif est la réparation ou le remplacement du produit dans les conditions énoncées ci-dessus. (Certains états ne permettent pas la limitation de la garantie implicite, il est donc possible que la limitation ci-dessus ne s'applique pas à vous.)**

**Les clauses énoncées dans la présente Garantie constituent le recours unique et exclusif inhérent aux ventes. Troy-Bilt LLC ne sera en aucun cas tenue pour responsable de tout dommage indirect ou consécutif ou de dommages comprenant, entre autres, les dépenses encourues du fait du recours à des services de remplacement ou de substitution pour l'entretien des pelouses, le transport ou des frais connexes, ou les frais entraînés par une location destinée à remplacer provisoirement un produit sous garantie. (Certains états ne permettent pas la limitation de la garantie implicite, il est donc possible que la limitation ci-dessus ne s'applique pas à vous.)**

Aucun recouvrement, quel qu'il soit, ne sera d'un montant supérieur au prix du produit vendu. Toute modification des dispositifs de sécurité du produit annulera la présente Garantie. Vous assumez tout risque et toute responsabilité résultant de la perte, de l'endommagement ou du préjudice que vous et votre propriété et/ou d'autres et leur propriété pourront encourir d'un fait de l'utilisation normale, de la mauvaise utilisation ou de l'incapacité d'utiliser le produit.

La présente garantie limitée n'est accordée qu'à l'acheteur initial, au preneur initial ou à la personne à laquelle le produit a été offert.

**Le Droit des États vis à vis de la présente garantie :** la présente garantie vous confère certains droits juridiques et vous pouvez bénéficier d'autres droits lesquels varient d'un état à l'autre.

Pour obtenir l'adresse du distributeur réparateur le plus proche, composez le :1 (877) 282-8684.

**Troy-Bilt LLC**

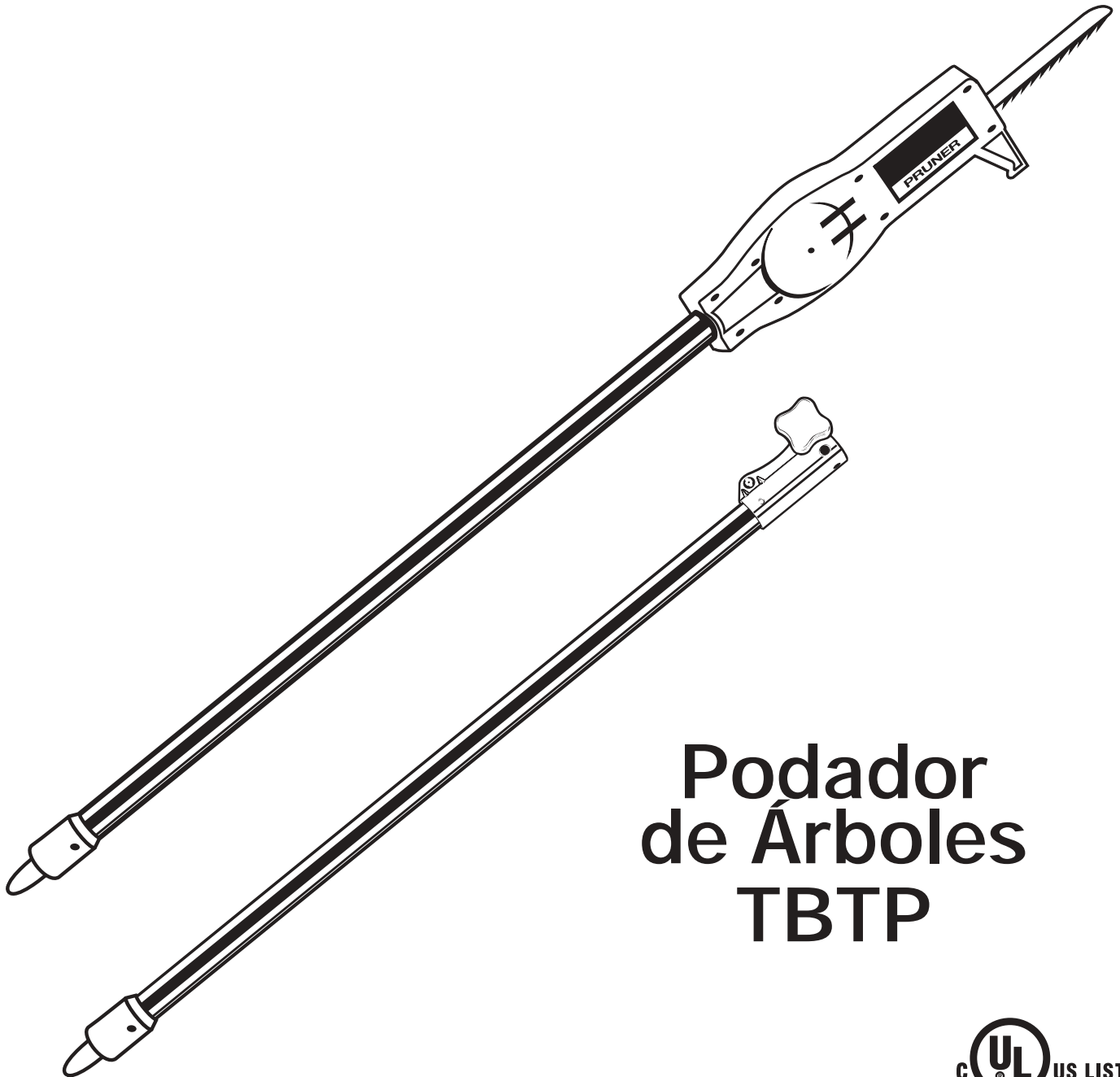
P.O. Box 361131

Cleveland, OH 44136-0019





# Manual Del Operador



## Podador de Árboles TBTP



**IMPORTANTE: LEA LAS REGLAS DE SEGURIDAD E INSTRUCCIONES DETENIDAMENTE**

P/N 769-00412 (8/02)  
PRINTED IN USA

# INTRODUCCIÓN

## MUCHAS GRACIAS

Gracias por haber adquirido este gran producto. Esta moderna herramienta motriz de exteriores está diseñada para brindarle muchas horas de servicio útil. Usted comprobará que es un artefacto que le ahorrará mucho trabajo. Este manual del operador le brinda instrucciones de operación de fácil comprensión. Lea todo el manual y siga todas las instrucciones para mantener su nueva herramienta motriz de exteriores en las mejores condiciones de funcionamiento.

## REFERENCIAS, ILUSTRACIONES Y ESPECIFICACIONES DEL PRODUCTO

Toda la información, las ilustraciones y las especificaciones contenidas en este manual se basan en la información más reciente disponible en el momento de impresión del manual. Nos reservamos el derecho de hacer cambios en cualquier momento sin aviso previo.

Copyright© 2002 MTD SOUTHWEST INC  
Todos los derechos reservados.

Troy-Bilt® es una marca registrada de  
MTD PRODUCTS INC

### INFORMACIÓN SOBRE SERVICIOS

El servicio a esta unidad, tanto en el período de garantía como después del mismo, deberá ser realizado por un proveedor de servicio autorizado y aprobado.

Llame al:

- 1-330-558-7220

O bien, al

- 1-866-840-6483 para obtener la lista de los proveedores de servicio autorizados cerca de usted.

**NO DEVUELVA LA UNIDAD AL COMERCIO.**

**NOTA: SE REQUERIRÁ PRUEBA DE COMPRA PARA EL SERVICIO DE GARANTÍA.**

Antes de arrancar u operar este equipo, asegúrese de leer y comprender bien este manual.

ESTE PRODUCTO ESTÁ CUBIERTO POR UNA Ó MÁS PATENTES DE EE.UU. OTRAS PATENTES EN TRAMITE.

# ¡ADVERTENCIA!

Lea el manual del operador y siga todas las advertencias e instrucciones de seguridad. De no hacerlo, el operador y/o los espectadores pueden sufrir graves lesiones.

# ÍNDICE DE CONTENIDOS

I.	Normas para una operación segura . . . . .	E3-E6
	A. Instrucciones importantes de seguridad . . .	E3-E4
	B. Símbolos de seguridad e internacionales . .	E4-E5
	C. Conozca su unidad . . . . .	E6
II.	Instrucciones de ensamble . . . . .	E7
	A. Instalación de la cuchilla . . . . .	E7
	B. Instalación y ajuste del arnés para el hombro .	E7
III.	Instrucciones de operación . . . . .	E8-E9
	A. Ensamblaje del acoplador . . . . .	E8
	B. Operación del podador . . . . .	E9
	C. Consejos para podar . . . . .	E9
IV.	Instrucciones de mantenimiento y reparación . .	E10
	A. Cambio de la cuchilla del podador . . . . .	E10
	B. Limpieza . . . . .	E10
	C. Almacenamiento . . . . .	E10
	D. Accesorios / piezas de repuesto . . . . .	E10
V.	Especificaciones . . . . .	E11
VI.	Garantía . . . . .	E12

## CONTENIDO DE LA CAJA

Esta unidad debe consistir en lo siguiente:

- Accesorio podador de árboles TBTP
- Cuchilla y cubierta de la cuchilla
- Tornillo de la abrazadera de la cuchilla y arandela de seguridad
- Brazo de extensión
- Suspensor
- Llave Allen de 9/64"
- Correa para el hombro
- Manual del Operador
- Tarjeta de registro del producto

**NOTA:** Este producto ha sido evaluado para uso tanto con cabezales a gasolina como eléctricos.

# NORMAS PARA UNA OPERACIÓN SEGURA

Los símbolos de seguridad se utilizan para llamar su atención sobre posibles peligros. Los símbolos de seguridad y sus explicaciones merecen toda su atención y comprensión. Los símbolos de seguridad no eliminan ningún peligro por sí mismos. Las instrucciones o advertencias que ofrecen no substituyen las medidas adecuadas de prevención de accidentes.

## SÍMBOLO SIGNIFICADO



**SÍMBOLO DE ALERTA DE SEGURIDAD:** Indica peligro, advertencia o precaución. Debe prestar atención para evitar sufrir graves lesiones personales. Puede ser utilizado junto con otros símbolos o figuras.

**NOTA:** Le ofrece información o instrucciones que son esenciales para la operación o mantenimiento del equipo.



**PELIGRO:** El no obedecer una advertencia de seguridad puede conducir a que usted u otras personas sufran graves lesiones. Siga siempre las precauciones de seguridad para reducir el riesgo de incendio, descarga eléctrica y lesiones personales.



**ADVERTENCIA:** El no seguir una advertencia de seguridad puede conducir a que usted u otras personas sufran lesiones. Siga siempre las precauciones de seguridad para reducir el riesgo de incendio, descarga eléctrica y lesiones personales.



**PRECAUCIÓN:** El no seguir una advertencia de seguridad puede conducir a daño patrimonial o a que usted u otras personas sufran lesiones personales. Siga siempre las precauciones de seguridad para reducir el riesgo de incendio, descarga eléctrica y lesiones personales.

## • IMPORTANTE INFORMACIÓN DE SEGURIDAD •

### LEA TODAS LAS INSTRUCCIONES



**ADVERTENCIA:** Se deben seguir las siguientes reglas de seguridad cuando use la unidad. Por favor lea estas instrucciones para su propia seguridad y las de los espectadores, antes de hacer funcionar la unidad. Por favor mantenga estas instrucciones en un lugar seguro para uso futuro.

#### ANTES DE LA OPERACIÓN

- Lea cuidadosamente y entienda el manual del operador de la unidad que impulsa a este acople.
- Lea este manual de instrucciones de funcionamiento detenidamente. Familiarícese completamente con los controles y el uso apropiado del equipo. Sepa cómo apagar la unidad y desactivar los controles con rapidez.
- No opere esta unidad si está cansado, enfermo, o bajo los efectos del alcohol, drogas o medicamentos.
- Nunca permita que los niños manejen el equipo. Nunca permita que los adultos usen la unidad cuando no estén familiarizados con las instrucciones. Nunca permita que las personas adultas manejen el equipo si no cuentan con las instrucciones apropiadas.
- Se debe instalar adecuadamente todos los protectores y dispositivos de seguridad antes de hacer funcionar la unidad.
- Inspeccione la unidad antes de usarla. Verifique que la cuchilla esté instalada en forma adecuada y segura.
- Mantenga retirados a los espectadores, especialmente a los niños y animales domésticos por lo menos a 50 ft (15 m) de distancia.

#### ADVERTENCIAS DE SEGURIDAD ESPECIALES PARA LAS UNIDADES MOTRICES Y PODADOR DE ÁRBOLES A GAS



**ADVERTENCIA:** La gasolina es muy inflamable y sus gases pueden explotar si se encienden. Tome las siguientes precauciones:

- Guarde el combustible en envases que hayan sido diseñados y aprobados especialmente para el almacenamiento de dichos materiales.

- Antes de llenar el tanque de combustible, apague siempre el motor y espere que se enfríe. No retire nunca la tapa del tanque de combustible ni cargue combustible mientras el motor esté caliente. No opere nunca la unidad sin la tapa del combustible colocada firmemente en su lugar. Afloje la tapa del combustible lentamente para disipar la presión del tanque.
- Mezcle y cargue el combustible en un área exterior, limpia y bien ventilada donde no haya chispas ni llamas. Quite lentamente la tapa del combustible sólo después de apagar el motor. No fume mientras carga o mezcla el combustible. Limpie de inmediato todo el combustible que se haya derramado.
- Evite crear una fuente de encendido por combustible derramado. No arranque el motor hasta que se hayan disipado los vapores del combustible.
- Aleje la unidad a por lo menos 30 pies (9.1 m) del lugar y fuente de carga de combustible antes de arrancar el motor. No fume, mantenga las chispas y las llamas abiertas lejos del área mientras carga el combustible u opera la unidad.
- No arranque ni opere la unidad en una sala o edificio cerrado. Los gases de escape de monóxido de carbono pueden ser letales en un área cerrada. Opere esta unidad sólo en un área exterior bien ventilada.

#### ADVERTENCIAS DE SEGURIDAD ESPECIALES PARA LAS UNIDADES MOTRICES Y PODADOR DE ÁRBOLES ELÉCTRICOS

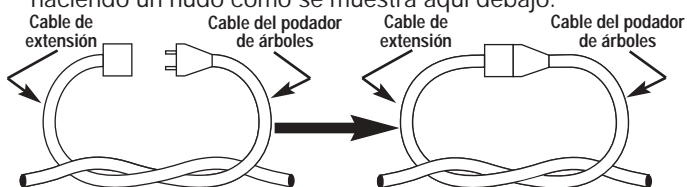


**ADVERTENCIA:** Para reducir el riesgo de descarga eléctrica, use sólo cables de extensión aprobados para ser usados en exteriores, como los cables de extensión tipo SW-A, SOW-A, STW-A, STOW-A, SJW-A, SJOW-A, SJTW-W o SJTOW-A. Puede adquirir cables de extensión en su distribuidor local. Use sólo cables de extensión de camisa cilíndrica aprobados para ser usados en exteriores.

# NORMAS PARA UNA OPERACIÓN SEGURA

- **CABLES DE EXTENSIÓN:** Verifique que su cable de extensión esté en buenas condiciones. Cuando utilice un cable de extensión, verifique que el mismo sea lo suficientemente pesado como para conducir la corriente que consume su unidad. Si utiliza un cable demasiado liviano, esto ocasionará una caída de voltaje de la línea, y en consecuencia, una pérdida de potencia y sobrecalentamiento. Lea el manual del operador de la unidad que accionará a este accesorio para informarse acerca del tamaño recomendado de cable de extensión.
- Inspeccione con frecuencia todos los cables de extensión y la conexión de la unidad a la corriente. Revise con cuidado para ver si hay deterioros, cortes o grietas en el aislamiento. Inspeccione también las conexiones para ver si han sufrido daños. Cambie los cables si observa algún defecto o daño.

- Evite la desconexión del cabezal motorizado del podador de árboles del cable de extensión durante el funcionamiento, utilizando un retenedor de enchufe-receptáculo, conector o haciendo un nudo como se muestra aquí debajo:



- Evite los ambientes peligrosos. No opere nunca su unidad en ambientes húmedos ni mojados. La humedad representa un peligro de descarga eléctrica.
- No use la unidad bajo la lluvia. No lo use dentro del agua ni alrededor de ella.
- No toque el enchufe ni la unidad con las manos mojadas ni cuando esté parado sobre una superficie mojada.
- Mantenga el podador retirado de cables de alta tensión o cables eléctricos.
- No deje la unidad enchufada mientras no la use, mientras cambie los accesorios o aditamentos, ni mientras realiza el servicio.

## DURANTE LA OPERACIÓN

- Use lentes o gafas de protección que cumplan con las normas ANSI Z87.1, y protección para sus oídos/audición mientras opere esta unidad. Use siempre una máscara facial o para protegerse contra el polvo si la operación levanta polvo.
- Use pantalones largos y gruesos y guantes. No vista ropa holgada, alhajas, pantalones cortos, sandalias ni esté descalzo. Asegure su cabello sobre el nivel de los hombros.
- Use la unidad únicamente con la luz del día o con buena luz artificial.
- No esfuerce ni sobrecargue el podador de árboles. El podador de árboles funcionará de la mejor manera y en forma más segura cuando se maneje dentro de los parámetros bajo los cuales fue diseñado.
- Para reducir el riesgo de descarga eléctrica, mantenga el podador lejos de líneas de fuerza eléctrica y cables de electricidad.
- Use la herramienta adecuada. Use esta unidad sólo en la forma en que se describe en este manual. No la use para ninguna tarea excepto para la que fue destinada.
- No se estire demasiado. Mantenga siempre una posición y equilibrio adecuados.
- Sostenga siempre la unidad con ambas manos mientras esté en funcionamiento. Sostenga con firmeza tanto el mango como la manija auxiliar.

- La cuchilla en descenso puede causar lesiones al continuar su movimiento luego de apagar la unidad. Mantenga un control adecuado de la unidad hasta que la cuchilla haya dejado de moverse por completo.
- Mantenga las manos, la cara y los pies lejos de todas las partes móviles. No intente tocar ni detener la cuchilla mientras esté en movimiento.
- No opere la unidad a una velocidad mayor que la necesaria para podar. No haga funcionar la unidad a alta velocidad mientras no está podando.
- Apague siempre la unidad cuando se demore el trabajo y mientras camina entre zonas de corte.
- Si golpea o se enreda con algún objeto extraño, apague el motor de inmediato e inspeccione si existen daños. Repare todos los daños antes de intentar continuar la operación. No opere la unidad con una cuchilla doblada, rajada ni desafilada. Descarte las cuchillas que estén dobladas, combadas, rajadas o rotas.
- Apague la unidad DE INMEDIATO si siente una vibración excesiva. La vibración indica que hay problemas. Inspeccione en detalle si existen tuercas o pernos flojos o daño antes de continuar. Repare o cambie las partes dañadas según sea necesario.
- Pare y apague la unidad para realizar el mantenimiento, reparaciones o para cambiar accesorios.
- Use solo piezas y accesorios de repuesto Genuine Factory Parts™ para esta unidad. Puede obtenerlos en su distribuidor autorizado. El uso de piezas o accesorios no autorizados pudiera causar graves lesiones al usuario o dañar la unidad y anular la garantía.

## OTRAS ADVERTENCIAS DE SEGURIDAD

- Espere que el motor se enfríe antes de guardar o transportar la unidad. Asegúrese de que la unidad esté segura al transportarla.
- Guarde la unidad dentro de un lugar seco, ya sea bajo llave o alto para evitar el uso no autorizado o su daño. Mantenga fuera del alcance de los niños.
- Nunca moje ni rocíe la unidad con agua ni con ningún otro líquido. Mantenga las manijas secas, limpias y sin residuos. Limpie la unidad luego de cada uso, lea las instrucciones de **Limpieza y Almacenamiento**.
- Guarde estas instrucciones. Consúltelas con frecuencia y utilícelas para enseñar a otros usuarios. Si le presta esta unidad a alguien, préstele también estas instrucciones.
- Cualquier reparación o procedimientos de mantenimiento que no estén descritos en este manual deben ser hechos únicamente por personal calificado.
- Compruebe frecuentemente el apriete de los pernos de la cizalla, de montaje del motor y otros pernos para que tenga la seguridad de que el equipo está en buen estado de funcionamiento.
- Consulte siempre las instrucciones del Manual del Operario para que se informe sobre detalles importantes, si va a guardar la unidad durante un periodo de tiempo prolongado.
- No intente arreglar la máquina a menos que tenga las herramientas apropiadas y las instrucciones para desensamblarla y arreglarla.

## GUARDE ESTAS INSTRUCCIONES

# NORMAS PARA UNA OPERACIÓN SEGURA

## SÍMBOLOS DE SEGURIDAD E INTERNACIONALES

Este manual del operador describe los símbolos y figuras de seguridad e internacionales que pueden aparecer en este producto. Lea el manual del operador para obtener información completa acerca de la seguridad, ensamble, operación, mantenimiento y reparación.

### SÍMBOLO

### SIGNIFICADO



#### • SÍMBOLO DE ALERTA DE SEGURIDAD

Indica peligro, advertencia o precaución. Puede ser utilizado junto con otros símbolos o figuras.



#### • ADVERTENCIA - LEA EL MANUAL DEL OPERADOR

Lea el manual del operador y siga todas las advertencias e instrucciones de seguridad. De no hacerlo, el operador y/o los espectadores pueden sufrir graves lesiones.



#### • USE PROTECCION OCULAR Y AUDITIVA

**ADVERTENCIA:** La operación de cualquier herramienta electromecánica puede ser el origen del lanzamiento de objetos y ruidos elevados que pueden causar lesiones oculares severas y pérdida auditiva. Use siempre gafas de seguridad o protección visual que cumpla con las normas ANSI Z87.1 y protección auditiva, cuando maneje esta unidad. Use una careta completa cuando la necesite.



#### • MANTENGA ALEJADOS A LOS ESPECTADORES

**ADVERTENCIA:** Mantenga a todos los espectadores, en especial a niños y animales domésticos a por lo menos 50 pies (15 m) del área de corte.



#### • LOS OBJETOS DESPEDIDOS Y LA CUCHILLA OSCILANTE PUEDEN CAUSAR GRAVES LESIONES

**ADVERTENCIA:** Inspeccione la unidad antes de usarla. No opere la unidad con una cuchilla doblada, quebrada ni desafilada. Manténgase alejado de la cuchilla.



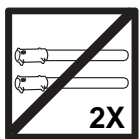
#### • CUCHILLA AFILADA

**ADVERTENCIA:** La cuchilla está afilada, no la toque. Para evitar graves lesiones, use siempre guantes cuando cambie o maneje la cuchilla.



#### • USE PROTECCIÓN EN SU CABEZA

**ADVERTENCIA:** Los objetos que caen pueden causar graves lesiones en su cabeza. Use protección en su cabeza mientras opere esta unidad.



#### • BRAZOS DE EXTENSIÓN

**ADVERTENCIA:** Para evitar graves lesiones, no use más de un brazo de extensión con el accesorio podador.

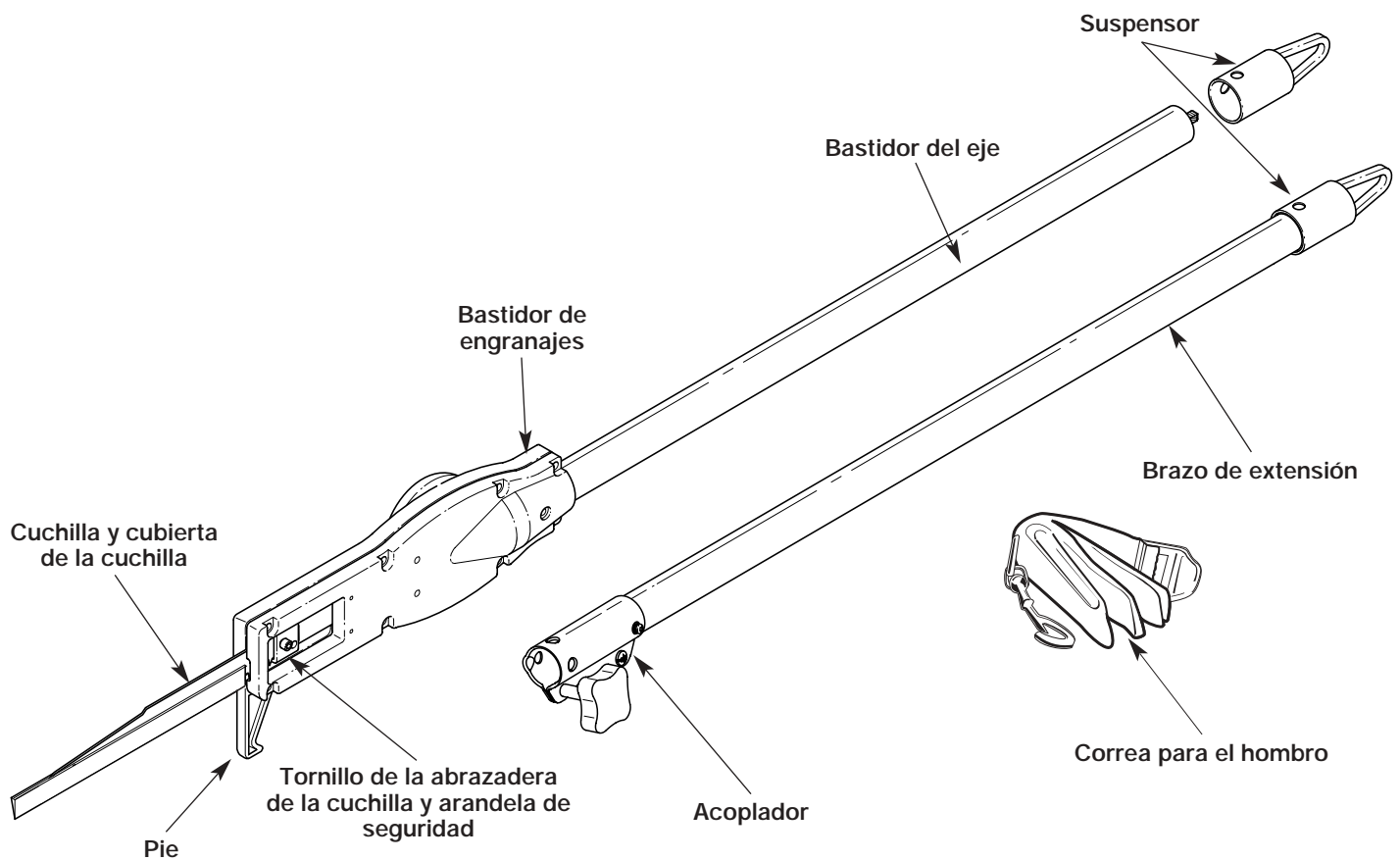
# NORMAS PARA UNA OPERACIÓN SEGURA

## CONOZCA SU UNIDAD

### APLICACIONES

Con el accesorio podador:

- Para cortar tallos y ramas de hasta 4 pulgadas (10 cm) de diámetro.



# INSTRUCCIONES DE ENSAMBLE

## INSTALACIÓN DE LA CUCHILLA

1. Deslice la cubierta de la cuchilla más allá del extremo de la cuchilla hasta exponer el orificio del pasador.
2. Inserte la cuchilla a través del extremo del bastidor del podador e instale la cuchilla sobre el pasador (Fig. 1). Los dientes de la cuchilla deben mirar hacia el lado del pedal.
3. Instale la abrazadera de la cuchilla sobre la cuchilla y el pasador. Instale el tornillo con la arandela de seguridad y ajuste bien con la llave Allen (Fig. 2).
4. Antes de operar la unidad, saque la cubierta de la cuchilla por completo (Fig. 3). Guárdela para su uso futuro.

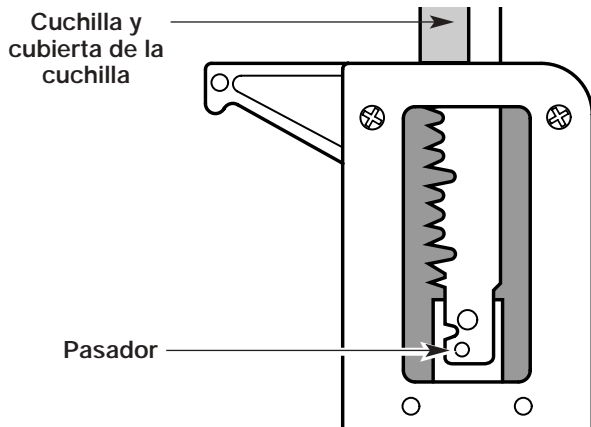


Fig. 1

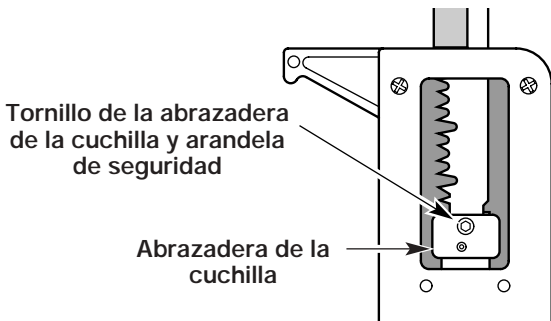


Fig. 2

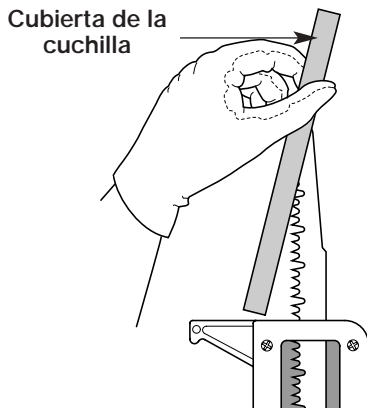


Fig. 3

## INSTALACIÓN Y AJUSTE DEL ARNÉS PARA EL HOMBRO

1. Pase la correa por el centro de la hebilla.
  2. Pase la correa sobre la barra transversal y hacia abajo a través de la ranura de la hebilla (Fig. 4).
  3. Abróchelo en el montaje de apoyo (Fig. 5).
  4. Mientras está parado en posición de operación, ajuste la longitud de modo que se adapte al tamaño del operador.
- Alargue el arnés tirando hacia abajo de la correa y levantando el extremo de la hebilla hacia arriba (Fig. 6).
  - Acorte el arnés tirando de la correa hacia atrás a través de la hebilla mientras sostiene la hebilla (Fig. 6).

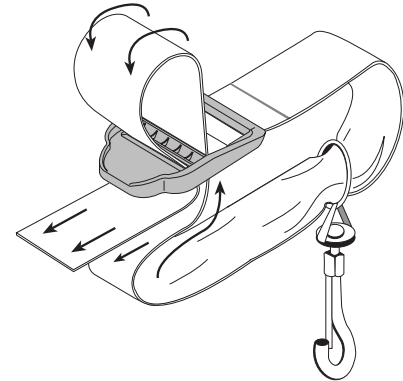


Fig. 4

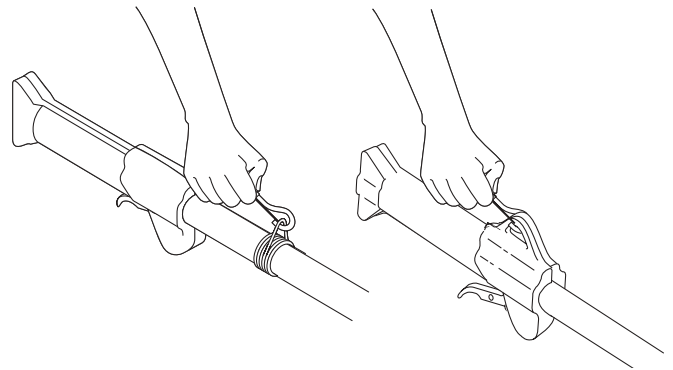


Fig. 5

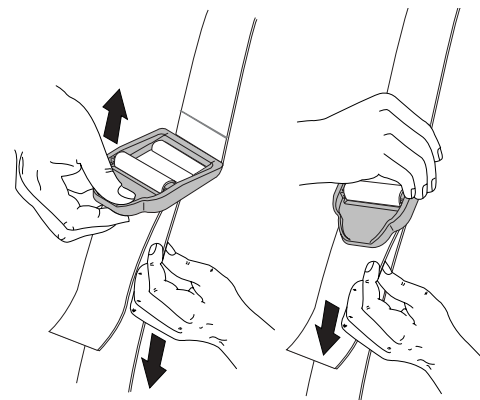


Fig. 6

# INSTRUCCIONES DE OPERACIÓN

## ENSAMBLAJE DEL ACOPLADOR

Los siguientes accesorios Troy-Bilt también están disponibles para su unidad:

Soplador/Aspirador .....	TBBV
Cultivador .....	TBGC
Recortador de setos .....	TBHS
Recortador de bordes .....	TBLE
Recortador de eje recto .....	TBSS
Soplador de nieve .....	TBST
Turbosoplador .....	TBTB

### Remoción del accesorio:



**ADVERTENCIA:** Lea y comprenda el manual del operador de los accesorios antes de su operación.

1. Para aflojarlo, gire el botón en el sentido opuesto al de las manecillas del reloj (Fig. 7).
2. Oprima y sostenga oprimido el botón de liberación (Fig. 7).
3. Mientras sostiene firmemente la cubierta del eje, hale el aditamento del podador de árboles fuera del acople. (fig. 8)

### Instalación del accesorio:



**ADVERTENCIA:** Para evitar graves lesiones personales, apague la unidad antes de sacar o instalar accesorios.

**NOTA:** Para facilitar la instalación o remoción de los accesorios, coloque la unidad sobre el suelo o sobre un banco de trabajo.

1. Apriete el botón girándolo hacia la derecha (Fig. 7).
2. Mientras sostiene el accesorio con firmeza, empujelo en línea recta en el acoplador (Fig. 8).
3. Mientras sostiene el accesorio con firmeza, empujelo en línea recta en el acoplador (Fig. 2).

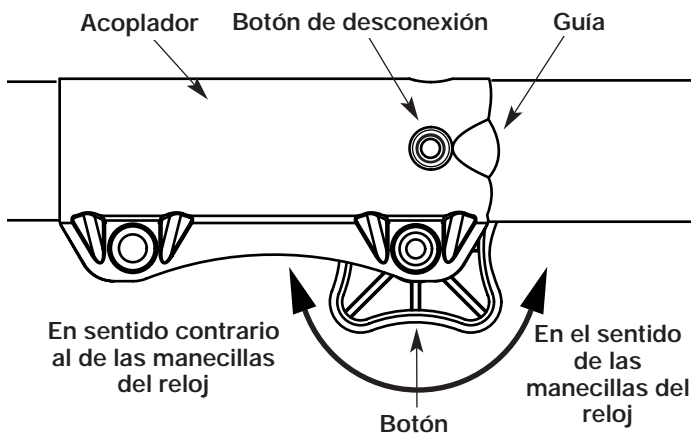


Fig. 7

**NOTA:** La alineación del botón de desconexión con la guía ayuda en la instalación (Fig. 7).

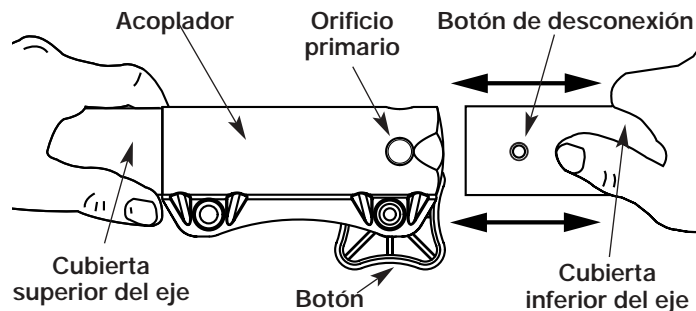


Fig. 8

4. Apriete el botón girándolo hacia la derecha (Fig. 9).



**PRECAUCIÓN:** Trabe el botón de desconexión en el orificio primario (Fig. 8) y ajuste bien la perilla antes de operar esta unidad.

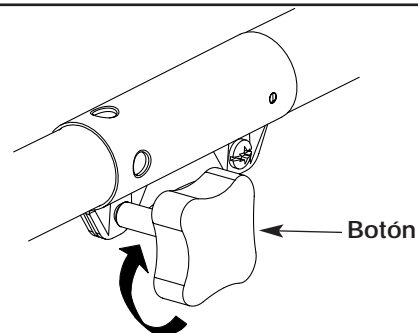


Fig. 9



**PRECAUCIÓN:** El accesorio de podador de árboles junto con el sistema acoplador debe usarse en el orificio primario solamente. El uso del orificio incorrecto pudiera provocar lesiones personales o dañar la unidad.

### Instalación del brazo de extensión:

Cuando use el brazo de extensión, siga los pasos 1-3 de **Instalación de Aditamentos o Accesorios**. Instale la extensión en la cabeza motriz, luego repita los pasos para instalar el accesorio podador en la extensión.

### Inspeccione el acoplamiento del eje acodado antes de usar la unidad

1. Arranque la unidad.
2. Enganche y suelte el gatillo brevemente.
3. Verifique que el accesorio esté funcionando.
4. Si el accesorio no está funcionando, retire el accesorio y repita los pasos para su instalación.
5. Vuelva a verificar el funcionamiento del accesorio.



# INSTRUCCIONES DE OPERACIÓN

## OPERACIÓN DEL PODADOR



**ADVERTENCIA:** Use siempre protección en sus ojos, su audición, sus pies y su cuerpo para reducir el riesgo de lesiones cuando opere esta unidad.

Antes de usar esta unidad, párese en posición de operación (Figs. 10 y 11). Verifique lo siguiente:

- El operador usa una pantalla facial, protección en su cabeza y viste ropa adecuada.
- El arnés está ajustado en la posición adecuada.
- La manija está ajustada para brindar el mejor agarre.
- El operador sostiene con firmeza el mango del regulador y la manija.

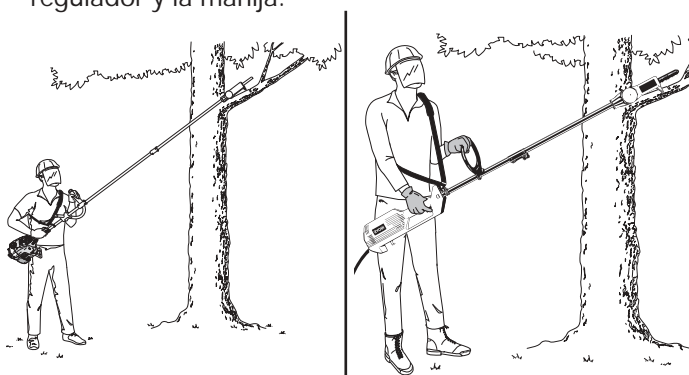


Fig. 10

Fig. 11

1. Cuando use el podador, apoye el pie del podador contra la rama que está cortando (Fig. 12).
2. Realice el primer corte a un (1) pie (30.5 cm) del lugar del corte final (Fig. 13).
3. Corte hacia fuera del cuello de la rama para evitar dañar al árbol (Fig. 14).

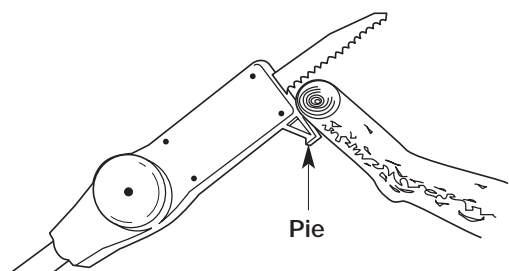


Fig. 12

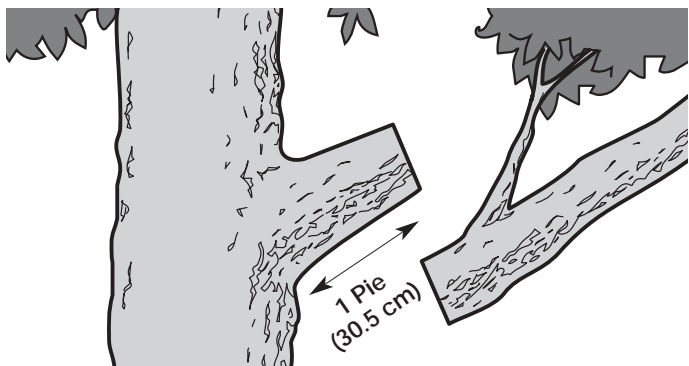


Fig. 13

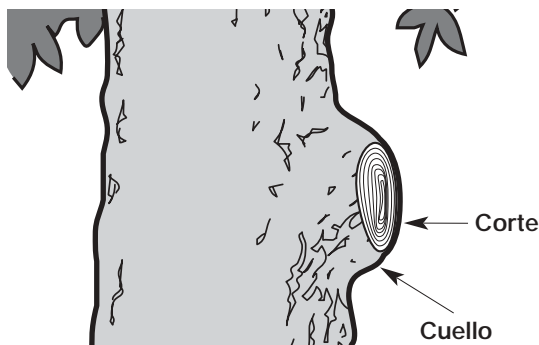


Fig. 14

## CONSEJOS PARA PODAR

### ¿Porqué debe podarse?

Los árboles necesitan poda. Si no los poda., crecen hasta convertirse en un área enredada y potencialmente peligrosa en su jardín. El podado es útil para modificar el tamaño y la forma, para retirar las ramas quebradas y para mantener la salud del árbol.

### ¿Cuándo debe podar?

Puede podar en cualquier momento del año. Pero el mejor momento es durante la estación latente (invierno).

### ¿Qué debe buscar?

Encontrar las áreas problemáticas puede ser difícil. Busque y retire:

- Ramas muertas o moribundas. Corte hasta la rama sana o hasta el tronco ya que pueden tener insectos o enfermedades.
- Cabos de ramas. Estos ocurren cuando la poda anterior se realizó en forma incorrecta o cuando una rama se quiebra durante una tormenta. Corte los cabos hasta la rama o tronco sano más cercanos.
- Crecimiento futuro. Si una rama de un árbol está creciendo hacia una cerca o hacia un edificio, córtela pronto. Entre más viejo sea el árbol, más tardan en cerrar las heridas del corte.

### El modo correcto de podar

- No dañe la corteza del árbol al cortar demasiado cerca del tronco.
- Corte la rama de modo que la herida sea lo más pequeña posible.
- No deje un cabo grande en la rama. Puede conducir a la descomposición o a la infestación de insectos.
- Use una cuchilla afilada para hacer cortes perfectos y parejos.

# INSTRUCCIONES DE MANTENIMIENTO Y REPARACION

## CAMBIO DE LA CUCHILLA DEL PODADOR



**ADVERTENCIA:** Para evitar graves lesiones personales, use siempre guantes cuando maneje, retire o instale la cuchilla.



**ADVERTENCIA:** El bastidor del podador se calienta luego de largos periodos de uso. Para evitar graves lesiones personales, no toque el bastidor hasta que esté frío.

### Cambio de la cuchilla

Cambie la cuchilla si:

- le faltan dientes, está desafilada, doblada o dañada.
  - si tiene que forzar la cuchilla en movimiento a través de la madera.
  - el motor funciona muy lento al cortar.
  - cada una (1) hora (acumulativa) de tiempo real de corte.
1. Instale la cubierta de la cuchilla sobre la cuchilla.
  2. Saque el tornillo de la abrazadera de la cuchilla, la arandela de seguridad y la abrazadera de la cuchilla (Fig. 15).
  3. Vuelva a instalar la cuchilla siguiendo los pasos de Instalación de la Cuchilla en la sección de ensamble.

### Limpeza de la cuchilla

- Limpie la cuchilla luego de cada uso para retirar la brea, goma, savia, etc.
- Limpie la cuchilla con limpiadores comerciales de cuchillas de sierra que pueden obtenerse en su ferretería local.
- Descarte la cuchilla si le faltan dientes, si está desafilada, doblada o dañada de cualquier manera.
- Instale siempre la cubierta de la cuchilla cuando no la use.

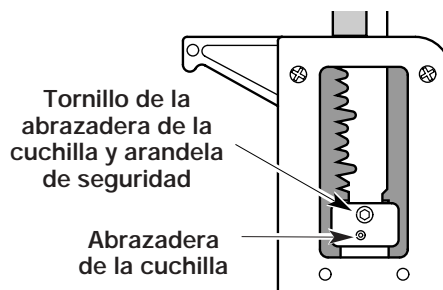


Fig. 15

## BASTIDOR DE ENGRANAJES DEL PODADOR

Todas las piezas internas están lubricadas de fábrica y no requieren mantenimiento. No desarme el podador. Comuníquese con un proveedor de servicio autorizado para realizar todas las reparaciones internas.

### LIMPIEZA

Use un cepillo pequeño para limpiar el exterior de la unidad. No use detergentes fuertes. Los limpiadores domésticos que contienen aceites aromáticos como pino y limón, y los solventes como queroseno, pueden dañar el bastidor de plástico o la manija. Seque toda la humedad con un paño suave.

### ALMACENAMIENTO

- Guarde la unidad en interiores en un lugar seco, ya sea bajo llave o en un lugar alto para evitar su uso no autorizado o su daño. Mantenga la unidad fuera del alcance de los niños.

### ACCESORIOS / PIEZAS DE REPUESTO

Cuchilla (2 en el conjunto) . . . . .	791-180966B
Abrazadera de la cuchilla . . . . .	791-181155
Tornillo de la abrazadera de la cuchilla y arandela de seguridad . . . . .	791-181156

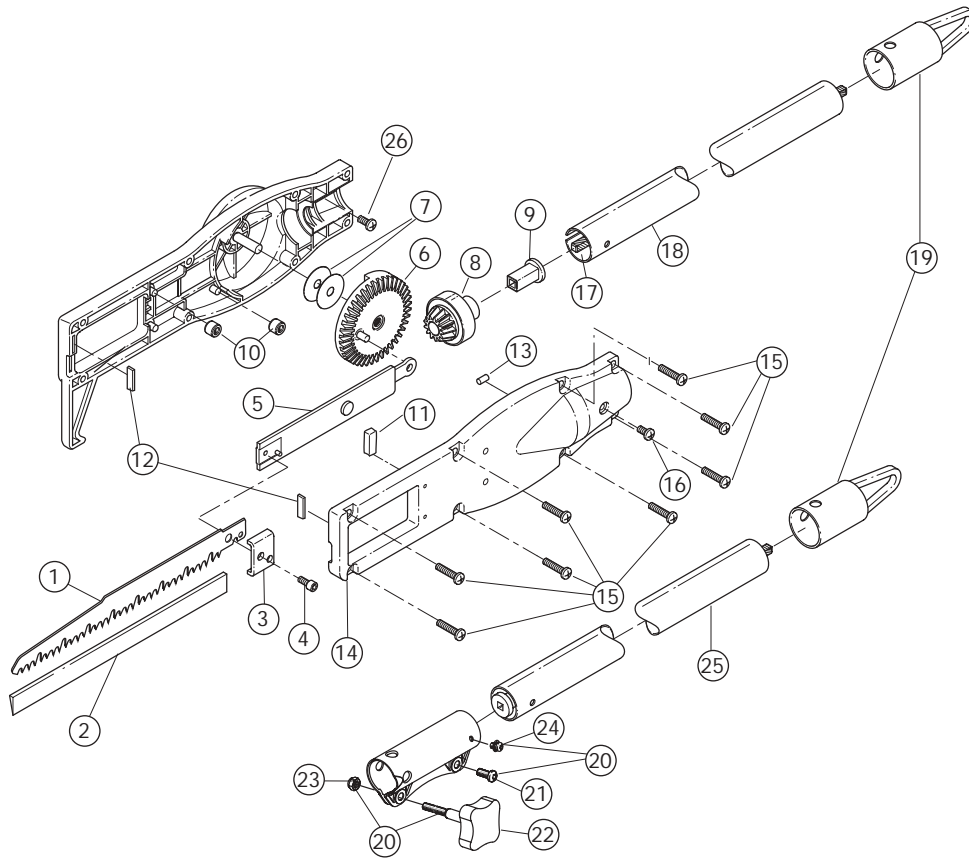
Use solamente piezas de repuesto originales Genuine Factory Parts™.

## ESPECIFICACIONES

### ADITAMENTO PARA EL PODADOR

Peso de la unidad (sin el brazo de extensión) . . . . .	3 libras (1.36 kg.)
Peso de la unidad (brazo de extensión) . . . . .	1.5 libras (0.68 kg.)
Longitud de la unidad (sin el brazo de extensión y la cuchilla) . . . . .	33 pulgadas (0.84 m)
Longitud del brazo de extensión . . . . .	26 pulgadas (0.66 m)
Longitud de la cuchilla (Diámetro máximo de corte) . . . . .	4 pulgadas (10.16 cm)
Carreras por minuto . . . . .	Hasta 2000
Correa para el hombro . . . . .	Broche a presión

# REPLACEMENT PARTS - MODEL TBTP TREE PRUNER ADD-ON PPN 41AJTP-C063



<u>Item</u>	<u>Part No.</u>	<u>Description</u>	<u>Item</u>	<u>Part No.</u>	<u>Description</u>
1	791-180966B	Blade (2 pack)	16	791-181883	Anti-Rotation Screw
2	791-181153	Blade Cover	17	791-181166	Drive Shaft Assembly
3	791-181155	Blade Clamp	18	791-181992	Drive Shaft Housing Assembly
4	791-181156	Blade Clamp Screw & Washer Assembly	19	791-612605	Hanger
5	791-181874	Arbor Assembly	20	791-181980	Coupler (includes items 21-24)
6	791-181875	Bevel Gear	21	791-181617	Bolt
7	791-181876	Washer	22	791-181981	Adjustment Knob
8	791-181877	Pinion Bevel Gear	23	791-181886	Knob Retaining Nut
9	791-181851	Insulator	24	791-182057	Screw
10	791-181878	Slide Bushing	25	791-181161	Extension Boom and Flex Shaft Assembly
11	791-181879	Felt Seal	26	753-1214	Anti-Rotation Screw
12	791-181880	Slider (2-pack)			
13	791-181881	Rubber Plug	*	791-181167	Allen Wrench 9/64"
14	791-181991	Housing set	*	791-682075B	Shoulder Harness
15	791-181345	Housing Screw (8 required)			
			*		Not Shown

## GARANTÍA LIMITADA DEL FABRICANTE PARA:



Troy-Bilt LLC concede la garantía limitada establecida debajo para mercancías nuevas que sean compradas y usadas en los Estados Unidos, sus posesiones y territorios.

Troy-Bilt LLC garantiza este producto contra defectos en el material y la mano de obra durante un período de dos (2) años, a partir de la fecha de compra original y a su entera discreción, arreglará o substituirá sin costo alguno cualquier pieza cuyo material o mano de obra se considere defectuoso. Esta garantía limitada se deberá aplicar únicamente si este producto ha sido manejado y mantenido de acuerdo al Manual del Operario incluido con el producto y, si no ha sido sometido a mal uso, abuso, uso comercial, negligencia, accidente, mantenimiento inapropiado, alteración, vandalismo, hurto, fuego, agua o daños debidos a otros riesgos o desastre natural. Los daños ocasionados por la instalación o el uso de cualquier accesorio o aditamento que no esté aprobado por Troy-Bilt y que sea usado con el (los) producto(s) contemplados en este manual, anularán la garantía con respecto a cualquier daño resultante. Esta garantía está limitada a noventa (90) días a partir de la fecha de compra original al detalle de cualquier producto Troy-Bilt que se use para alquiler, para propósitos comerciales o cualquier otro propósito que genere ingresos.

**CÓMO OBTENER SERVICIO:** El servicio de garantía está disponible A TRAVÉS DE SU DISTRIBUIDOR DE SERVICIO LOCAL AUTORIZADO, AL PRESENTAR EL COMPROBANTE DE COMPRA. Para localizar al distribuidor en su área, visite nuestro sitio en Internet en [www.troybilt.com](http://www.troybilt.com), busque el aviso clasificado en las Páginas Amarillas, llame al 1 (866) 840-6483, 1 (330) 558-7220 o escriba a P.O. Box 361131, Cleveland, OH 44136-0019.

**Esta garantía limitada no ofrece cobertura en los siguientes casos:**

- A. Sincronizaciones - bujías, ajustes de carburadores, filtros.
- B. Artículos de desgaste, perillas percusivas, carretes externos, línea de corte, carretes internos, polea de arranque, cuerdas de arranque, correas motoras.
- C. Troy-Bilt no le ofrece ninguna garantía a los productos que sean vendidos o exportados fuera de los Estados Unidos de América, sus posesiones y territorios, excepto aquellos que se vendan a través de los canales de distribución para exportación autorizados por Troy-Bilt.

Troy-Bilt se reserva el derecho a cambiar o mejorar el diseño de cualquier producto Troy-Bilt, sin adoptar ninguna obligación para modificar cualquier producto fabricado con anterioridad.

Ninguna garantía implícita es aplicable después del período de aplicabilidad de la garantía expresa escrita con anterioridad, incluyendo cualquier garantía implícita de comerciabilidad o idoneidad para un propósito particular con respecto a las piezas identificadas. Exceptuando lo mencionado anteriormente, ninguna otra garantía expresa bien sea escrita o verbal con respecto a cualquier producto que sea concedida por cualquier persona o entidad, incluyendo al distribuidor o minorista, deberá comprometer a Troy-Bilt LLC durante el período de la Garantía, el remedio exclusivo es el arreglo o la sustitución del producto según lo establecido anteriormente. (Algunos estados no permiten limitaciones en cuanto al período de duración de una garantía implícita, de manera que puede que la limitación anterior no sea aplicable en su caso.)

Las estipulaciones establecidas en esta Garantía ofrecen la solución única y exclusiva que resulte de las ventas. Troy-Bilt no deberá ser responsable de pérdidas o daños incidentales o consecuentes que incluyan, sin limitación, gastos incurridos debido a la sustitución de servicios de mantenimiento de prados, transporte o gastos relacionados, o gastos de alquiler para reemplazar temporalmente un producto bajo garantía. (Algunos estados no permiten limitaciones en cuanto al período de duración de una garantía implícita, de manera que puede que la limitación anterior no sea aplicable en su caso.)

Ningún tipo de recuperación deberá ser superior al precio de compra del producto vendido, en ningún caso. La alteración de las características de seguridad del producto deberá anular esta Garantía. Usted adopta el riesgo y la obligación de la pérdida, daño o lesión en su persona o a su propiedad y/o la de otras personas y sus propiedades, que se origine a raíz del uso o mal uso, o la incompetencia para usar el producto.

Esta garantía limitada no deberá cubrir a ninguna otra persona distinta al comprador original, arrendatario original, o la persona para la cual se compró en calidad de regalo.

Relación de las leyes estatales con esta Garantía: Esta garantía le confiere derechos legales específicos, y puede que usted también tenga otros derechos, los cuales varían en cada estado.

Para localizar al distribuidor de servicio local más cercano, marque el número 1 (877) 282-8684.

**Troy-Bilt LLC**

P.O. Box 361131

Cleveland, OH 44136-0019

## Free Manuals Download Website

<http://myh66.com>

<http://usermanuals.us>

<http://www.somanuals.com>

<http://www.4manuals.cc>

<http://www.manual-lib.com>

<http://www.404manual.com>

<http://www.luxmanual.com>

<http://aubethermostatmanual.com>

Golf course search by state

<http://golfingnear.com>

Email search by domain

<http://emailbydomain.com>

Auto manuals search

<http://auto.somanuals.com>

TV manuals search

<http://tv.somanuals.com>