



Operator's Manual

Lithium-Ion Battery-Powered
Electric Starter
49MRBESP966
49MRBESY966

TABLE OF CONTENTS

Service Information	1
Rules for Safe Operation	2
Know Your Unit	3
Assembly Instructions	3
Operating Instructions	4
Maintenance and Repair Instructions	4
Cleaning and Storage	4
Troubleshooting Chart	4
Specifications	4
Warranty Information	6

All information, illustrations, and specifications in this manual are based on the latest product information available at the time of printing. We reserve the right to make changes at any time without notice.

Copyright© 2012 MTD SOUTHWEST INC, All Rights Reserved.

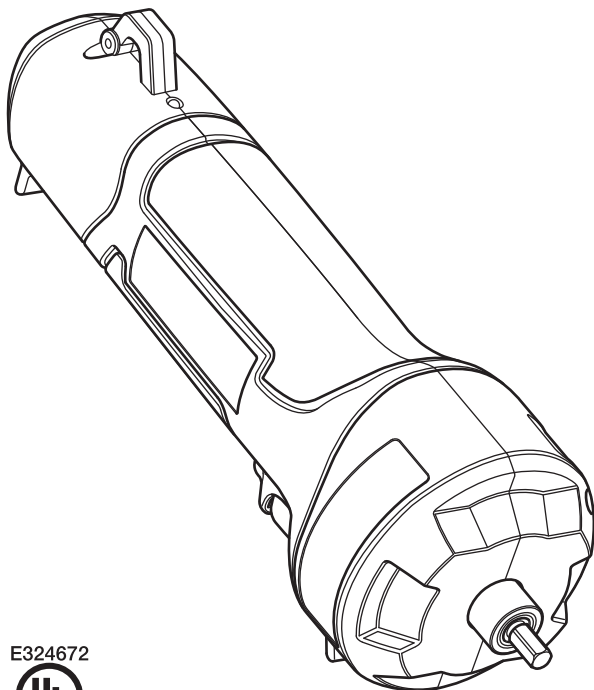
SAVE THESE INSTRUCTIONS

SERVICE INFORMATION

DO NOT RETURN THIS UNIT TO THE RETAILER. PROOF OF PURCHASE WILL BE REQUIRED FOR WARRANTY SERVICE.

For assistance regarding the assembly, controls, operation or maintenance of the unit, please call the Customer Support Department at **1-800-828-5500** in the United States or **1-800-668-1238** in Canada. Additional information about the unit can be found on our website at www.troybilt.com or www.troybilt.ca.

For service, please call the Customer Support Department to obtain a list of authorized service dealers near you. Service on this unit, both within and after the warranty period, should only be performed by an authorized and approved service dealer. When servicing, use only identical replacement parts.






E324672



RULES FOR SAFE OPERATION

The purpose of safety symbols is to attract your attention to possible dangers. The safety symbols, and their explanations, deserve your careful attention and understanding. The safety warnings do not by themselves eliminate any danger. The instructions or warnings they give are not substitutes for proper accident prevention measures.

SYMBOL	MEANING
--------	---------

	DANGER: Failure to obey a safety warning will result in serious injury to yourself or to others. Always follow the safety precautions to reduce the risk of fire, electric shock and personal injury.
	WARNING: Failure to obey a safety warning can result in injury to yourself and others. Always follow the safety precautions to reduce the risk of fire, electric shock and personal injury.
	CAUTION: Failure to obey a safety warning may result in property damage or personal injury to yourself or to others. Always follow the safety precautions to reduce the risk of fire, electric shock and personal injury.


NOTE: Advises you of information or instructions vital to the operation or maintenance of the equipment.

MEASURE MEANINGS

V Volts
 A..... Amps
 Hz Hertz

Read the Operator's Manual and follow all warnings and safety instructions. Failure to do so can result in serious injury to the operator and/or bystanders.

• IMPORTANT SAFETY INSTRUCTIONS •

	CALIFORNIA PROPOSITION 65 WARNING: Battery posts, terminals and certain finished components contain lead, lead compounds and chemicals known to the State of California to cause cancer and birth defects or other reproductive harm. Wash hands after handling.
--	---

GENERAL POWER TOOL SAFETY WARNINGS

	WARNING: Read all safety warnings and all instructions. Failure to follow the warnings and instructions may result in electric shock, fire and/or serious injury.
--	--

Save all warnings and instructions for future reference.

The term "power tool" in the warnings refers to your mains-operated (corded) power tool or battery-operated (cordless) power tool.

Work area safety:

- a) **Keep work area clean and well lit.** Cluttered or dark areas invite accidents.
- b) **Do not operate power tools in explosive atmospheres, such as in the presence of flammable liquids, gases or dust.** Power tools create sparks which may ignite the dust or fumes.
- c) **Keep children and bystanders away while operating a power tool.** Distractions can cause you to lose control.

Electrical safety:

- a) **Power tool plugs must match the outlet. Never modify the plug in any way. Do not use any adapter plugs with earthed (grounded) power tools.** Unmodified plugs and matching outlets will reduce risk of electric shock.
- b) **Avoid body contact with earthed or grounded surfaces such as pipes, radiators, ranges and refrigerators.** There is an increased risk of electric shock if your body is earthed or grounded.
- c) **Do not expose power tools to rain or wet conditions.** Water entering a power tool will increase the risk of electric shock.
- d) **Do not abuse the cord. Never use the cord for carrying, pulling or unplugging the power tool. Keep cord away from heat, oil, sharp edges or moving parts.** Damaged or entangled cords increase the risk of electric shock.

- e) **When operating a power tool outdoors, use an extension cord suitable for outdoor use.** Use of a cord suitable for outdoor use reduces the risk of electric shock.
- f) **If operating a power tool in a damp location is unavoidable, use a residual current device (RCD) protected supply.** Use of an RCD reduces the risk of electric shock.

Personal safety:

- a) **Stay alert, watch what you are doing and use common sense when operating a power tool. Do not use a power tool while you are tired or under the influence of drugs, alcohol or medication.** A moment of inattention while operating power tools may result in serious personal injury.
- b) **Use personal protective equipment. Always wear eye protection.** Protective equipment such as dust mask, non-skid safety shoes, hard hat, or hearing protection used for appropriate conditions will reduce personal injuries.
- c) **Prevent unintentional starting. Ensure the switch is in the off-position before connecting to power source and/or battery pack, picking up or carrying the tool.** Carrying power tools with your finger on the switch or energizing power tools that have the switch on invites accidents.
- d) **Remove any adjusting key or wrench before turning the power tool on.** A wrench or a key left attached to a rotating part of the power tool may result in personal injury.
- e) **Do not overreach. Keep proper footing and balance at all times.** This enables better control of the power tool in unexpected situations.
- f) **Dress properly. Do not wear loose clothing or jewelry. Keep your hair, clothing and gloves away from moving parts.** Loose clothes, jewelry or long hair can be caught in moving parts.
- g) **If devices are provided for the connection of dust extraction and collection facilities, ensure these are connected and properly used.** Use of dust collection can reduce dust-related hazards.

Power tool use and care:

- a) **Do not force the power tool. Use the correct power tool for your application.** The correct power tool will do the job better and safer at the rate for which it was designed.
- b) **Do not use the power tool if the switch does not turn it on and off.** Any power tool that cannot be controlled with the switch is dangerous and must be repaired.
- c) **Disconnect the plug from the power source and/or the battery pack from the power tool before making any adjustments, changing accessories, or storing power tools.** Such preventive safety measures reduce the risk of starting the power tool accidentally.
- d) **Store idle power tools out of the reach of children and do not allow persons unfamiliar with the power tool or these instructions to operate the power tool.** Power tools are dangerous in the hands of untrained users.
- e) **Maintain power tools. Check for misalignment or binding of moving parts, breakage of parts and any other condition that may affect the power tool's operation. If damaged, have the power tool repaired before use.** Many accidents are caused by poorly maintained power tools.
- f) **Keep cutting tools sharp and clean.** Properly maintained cutting tools with sharp cutting edges are less likely to bind and are easier to control.
- g) **Use the power tool, accessories and tool bits etc. in accordance with these instructions, taking into account the working conditions and the work to be performed.** Use of the power tool for operations different from those intended could result in a hazardous situation.

Battery tool use and care:

- a) **Recharge only with the charger specified by the manufacturer.** A charger that is suitable for one type of battery pack may create a risk of fire when used with another battery pack.
- b) **Use power tools only with specifically designated battery packs.** Use of any other battery packs may create a risk of injury and fire.
- c) **When battery pack is not in use, keep it away from other metal objects, like paper clips, coins, keys, nails, screws or other small metal objects, that can make a connection from one terminal to another.** Shorting the battery terminals together may cause burns or a fire.
- d) **Under abusive conditions, liquid may be ejected from the battery; avoid contact. If contact accidentally occurs, flush with water. If liquid contacts eyes, additionally seek medical help.** Liquid ejected from the battery may cause irritation or burns.

Service:

- a) **Have your power tool serviced by a qualified repair person using only identical replacement parts.** This will ensure that the safety of the power tool is maintained.

RULES FOR SAFE OPERATION

OTHER SAFETY PRECAUTIONS



WARNING: When using electric tools, basic safety precautions should always be used to reduce the risk of fire, electric shock and personal injury. Only use UL listed extension cords suitable for outdoor use, such as Type SW-A, STW-A, STOW-A, SJW-A, SJOW-A, SJTW-A, or SJTOW-A.

- Extension Cords: Make sure the extension cord is in good condition, is heavy enough to carry the current that the unit will draw. If in doubt, use the next heavier gauge cord. An undersized extension cord will cause a drop in line voltage resulting in a loss of power and overheating. The table shown illustrates the correct size to use depending on the cord length and nameplate amperage rating.

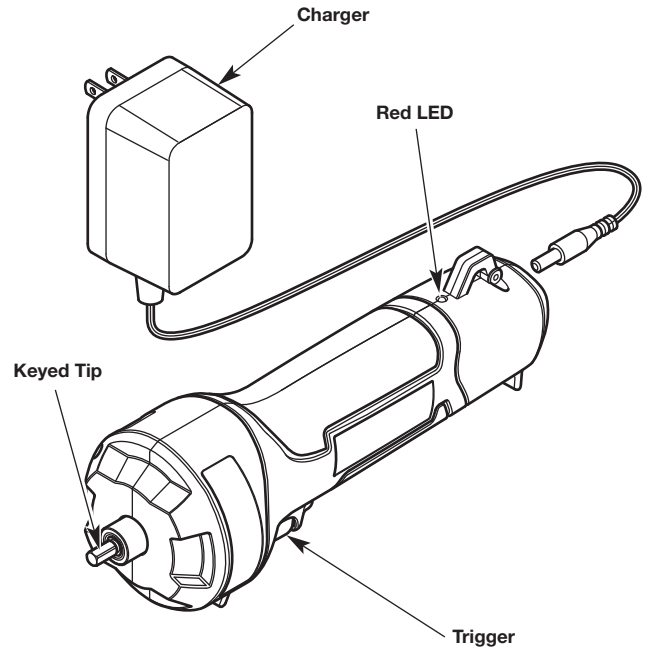
MINIMUM WIRE SIZE FOR EXTENSION CORDS FOR 120 VOLT APPLIANCES USING 6-10 AMPS				
Cord Length (ft.)	25	50	100	150
Wire Size (AWG)	18	16	14	12

- If the extension cord is damaged in any manner while plugged in, disconnect the extension cord from both the house and the unit. Do not re-use until the extension cord has been repaired or replaced.
- Ground Fault Circuit Interrupter (GFCI) protection should be provided on the circuit(s) or outlet(s) to be used for this unit. Receptacles are available having built-in GFCI protection and may be used for an added measure of safety.
- Wear safety glasses or goggles with side shields that are marked as meeting ANSI Z87.1 standards, and ear/hearing protection when operating this unit. Wear a face or dust mask if the operation is dusty.
- Keep cutting tools sharp and clean. Properly maintain cutting tools with sharp cutting edges are less likely to bind and are easier to control.
- Allow the unit to cool before storing or transporting. Be sure to secure the unit while transporting.
- Never douse or squirt the unit with water or any other liquid. Keep handles dry, clean and free from debris. Clean after each use.
- Keep these instructions. Refer to them often and use them to instruct other users. If loaning someone this unit, also loan them these instructions.

SAVE THESE INSTRUCTIONS

KNOW YOUR UNIT

NO TOOLS REQUIRED!



ASSEMBLY INSTRUCTIONS

This unit comes completely assembled.

UNPACKING

1. Carefully remove the product and any accessories from the box.
2. Inspect the product carefully to make sure no breakage or damage occurred during shipping. Do not discard the packing material until you have carefully inspected and satisfactorily operated the product. If any parts are damaged or missing, please call **1-800-828-5500** (U.S.) or **1-800-668-1238** (Canada) for assistance.

CHARGING THE BATTERY



CAUTION: Changes or modifications not expressly approved by the party responsible for compliance could void the user's authority to operate the equipment.

NOTE: This equipment has been tested and found to comply with the limits for a Class B digital device, pursuant to part 15 of the FCC Rules. These limits are designed to provide reasonable protection against harmful interference in a residential installation. This equipment generates, uses and can radiate radio frequency energy and, if not installed and used in accordance with the instructions, may cause harmful interference to radio communications. However, there is no guarantee that interference will not occur in a particular installation. If this equipment does cause harmful interference to radio or television reception, which can be determined by turning the equipment off and on, the user is encouraged to try to correct the interference by one or more of the following measures:

- Reorient or relocate the receiving antenna.
- Increase the separation between the equipment and receiver.
- Connect the equipment into an outlet on a circuit different from that to which the receiver is connected.
- Consult the dealer or an experienced radio/TV technician for help.

NOTE: The battery is not shipped fully charged. It is recommended to fully charge the battery before use to ensure that maximum run time can be achieved. The lithium-ion battery will not develop a memory and may be charged at any time. A fully discharged battery will require approximately 3-5 hours to completely charge.

NOTE: Use only the supplied charger (Model # SH-DC120400, P/N 753-06672) when charging. The use of any other charger could damage the battery or create a hazardous condition.

OPERATING INSTRUCTIONS

CHARGING THE BATTERY

1. Plug the charger into an AC wall outlet / receptacle.
2. Insert the charger into the back of the unit (Fig. 1).
3. The red LED will illuminate (Fig. 1).
4. The red LED will turn off when the battery is fully charged.
5. Disconnect the unit from the charger.

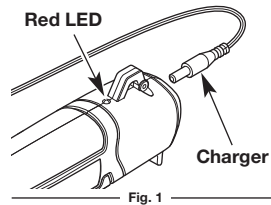


Fig. 1

NOTE: The unit may be stored with the charger still attached, but the charger should be disconnected from the wall outlet / receptacle when doing so.

NOTE: Lithium-ion batteries, while in use, will continue to provide full power without power fade, unlike typical batteries; when the battery is fully discharged, the battery circuitry will immediately cut power to the tool and require immediate charging.

IMPORTANT! DO NOT use the unit while it is charging. Doing so may damage the unit and battery.

NOTE: This accessory is to be used on electric start capable units only. Refer to the *Starting Instructions* section of the unit's Operator's Manual for proper starting instructions when using this accessory. **FOR INTERMITTENT USE ONLY.**

OPERATING THE ELECTRIC STARTER



WARNING: To avoid serious personal injury and unit damage do not use the electric starter in damp or wet locations, in rain or snow.

NOTE: Inspect the unit prior to use. **DO NOT** use the unit if any part is damaged in any way. Take to an authorized service dealer for replacement or repairs.



WARNING: A damaged unit may cause serious personal injury due to electrical shock. **DO NOT** use until the unit is repaired or replaced by an authorized service dealer.

1. Place the electric starter keyed tip into the hole in the rear of the engine, making sure the engine tabs on the back of the engine are flush with the indents on the electric starter. (Fig. 2)

NOTE: It may be necessary to slightly twist the electric starter until the key fits securely into the engine.

2. With the electric starter flush with the engine, squeeze the trigger in intervals of no more than 4 seconds each until the unit starts. (Fig. 3)

NOTE: The electric starter is designed to be used intermittently. Squeeze the trigger for no longer than 4 seconds at a time with a 120 second cooling period in between each starting attempt.

3. Once the engine has started, remove the electric starter from the engine. The unit is ready for use.

If... the electric starter does not turn on or suddenly stops while in use, wait at least 5 seconds to allow the unit to cool.

IMPORTANT! The battery is equipped with an internal circuit breaker that will automatically shut off power to the unit if the battery is overloaded during heavy use. Once cooled, the battery will reset itself. Follow these steps if an overload occurs:

1. Release the trigger and then restart the unit.
2. The battery may need to cool for approximately 1 minute.

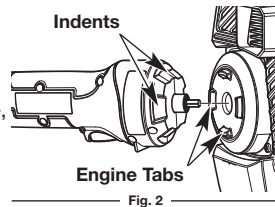


Fig. 2

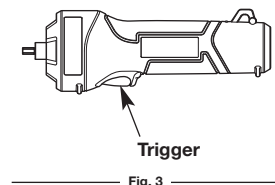


Fig. 3

MAINTENANCE AND REPAIR INSTRUCTIONS

NOTE: This unit was designed to not have any serviceable parts and should **ONLY** be repaired by an authorized service dealer.

CLEANING AND STORAGE

CLEANING

Use a small brush to clean off the outside of the unit and keyed tip. Do not use strong detergents. Household cleaners that contain aromatic oils such as pine and lemon, and solvents such as kerosene, can damage plastic housing or handle. Wipe off any moisture with a soft cloth.

STORAGE

- Check unit before storage to be sure the equipment is in safe working condition.
- Stop the motor.
- Store the unit indoors, in a dry and locked place, out of the reach of children.
- Maintain or replace safety and instruction labels, as necessary.

TROUBLESHOOTING

CAUSE	ACTION
ELECTRIC STARTER WILL NOT TURN ON	
The battery lacks sufficient charge	Charge the battery
The unit is overheated	Allow the unit to cool for at least 5 seconds

SPECIFICATIONS*

Motor Type	Cordless, Battery-powered
Motor Voltage	12 V max.
Unit Weight	1.66 lbs. (0.75 kg)
Charge Time	3-5 Hours
Optimum Charging Temperature	32° to 104° F (0° to 40° C)
Battery Charger Input	120 V 60 Hz AC only
Battery Charger Output Maximum	12 V
Battery Charger Weight	0.6 lbs. (0.27 kg)

* All specifications are based on the latest product information available at the time of printing. We reserve the right to make changes at any time without notice.

MANUFACTURER'S LIMITED WARRANTY FOR:



The limited warranty set forth below is given by Troy-Bilt LLC ("Troy-Bilt") with respect with new merchandise purchased and used in the United States, its possessions and territories.

Troy-Bilt warrants this product against defects in material and workmanship for a period of one (1) year commencing on the date of original purchase and will, at its option, repair or replace, free of charge, any part found to be defective in material or workmanship. This limited warranty shall only apply if this product has been operated and maintained in accordance with the Operator's Manual furnished with the product, and has not been subject to misuse, abuse, commercial use, neglect, accident, improper maintenance, alteration, vandalism, theft, fire, water, or damage because of other peril or natural disaster. Damage resulting from the installation or use of any accessory or attachment not approved by Troy-Bilt for use with the product(s) covered by this manual will void your warranty as to any resulting damage.

HOW TO OBTAIN SERVICE: Warranty service is available, WITH PROOF OF PURCHASE THROUGH YOUR LOCAL AUTHORIZED SERVICE DEALER. To locate the dealer in your area, visit our website at www.troybilt.com or www.troybilt.ca, check for a listing in the Yellow Pages, call **1-800-828-5500** in the United States or **1-800-668-1238** in Canada, or write to P.O. Box 361131, Cleveland, OH 44136-0019. No product returned directly to the factory will be accepted unless prior written permission has been extended by the Customer Service Department of Troy-Bilt.

This limited warranty does not provide coverage in the following cases:

- A. Tune-ups - Spark Plugs, Carburetor Adjustments, Filters
- B. Wear items - Bump Knobs, Outer Spools, Cutting Line, Inner Reels, Starter Pulley, Starter Ropes, Drive Belts, Saw Chains, Guide Bars, Cultivator Tines.
- C. Troy-Bilt does not extend any warranty for products sold or exported outside of the United States of America, its possessions and territories, except those sold through Troy-Bilt's authorized channels of export distribution.

Troy-Bilt reserves the right to change or improve the design of any Troy-Bilt Product without assuming any obligation to modify any product previously manufactured.

No implied warranty, including any implied warranty of merchantability or fitness for a particular purpose, applies after the applicable period of express written warranty above as to the parts as identified. No other express warranty or guaranty, whether written or oral, except as mentioned above, given by any person or entity, including a dealer or retailer, with respect to any product shall bind Troy-Bilt. During the period of the Warranty, the exclusive remedy is repair or replacement of the product as set forth above. (Some states do not allow limitations on how long an implied warranty lasts, so the above limitation may not apply to you.)

The provisions as set forth in this Warranty provide the sole and exclusive remedy arising from the sales. Troy-Bilt shall not be liable for incidental or consequential loss or damages including, without limitation, expenses incurred for substitute or replacement lawn care services, for transportation or for related expenses, or for rental expenses to temporarily replace a warranted product. (Some states do not allow limitations on how long an implied warranty lasts, so the above limitation may not apply to you.)

In no event shall recovery of any kind be greater than the amount of the purchase price of the product sold. Alteration of the safety features of the product shall void this Warranty. You assume the risk and liability for loss, damage, or injury to you and your property and/or to others and their property arising out of the use or misuse or inability to use the product.

This limited warranty shall not extend to anyone other than the original purchaser, original lessee or the person for whom it was purchased as a gift.

How State Law Relates to this Warranty: This warranty gives you specific legal rights, and you may also have other rights which vary from state to state.

To locate your nearest service dealer, dial **1-800-828-5500** in the United States or **1-800-668-1238** in Canada.

Troy-Bilt LLC

P. O. Box 361131

Cleveland, OH 44136-0019



Manuel de L'utilisateur

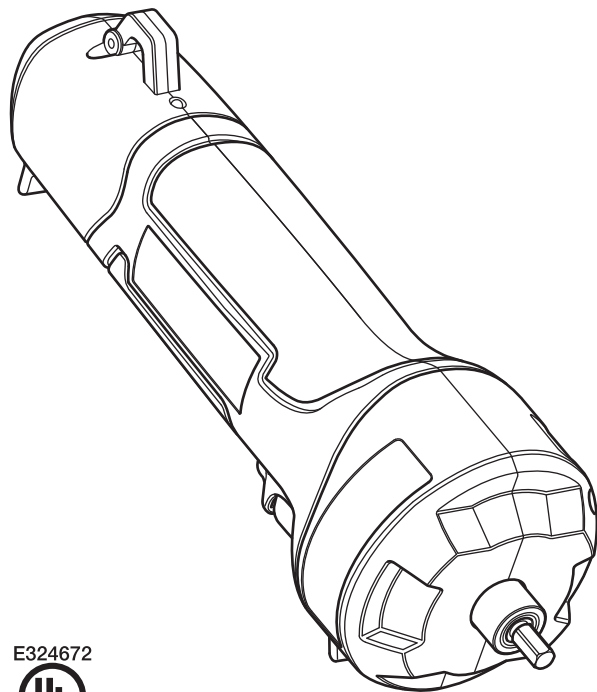
Démarrateur électrique à
batterie lithium-ion
49MRBESP966
49MRBESY966

TABLE DES MATIÈRES

Service technique	7
Consignes de sécurité	8
Familiarisez-vous avec votre appareil	9
Instructions d'assemblage	9
Mode d'emploi	10
Entretien et réparations	10
Nettoyage et entreposage	10
Tableau de dépannage	10
Spécifications	10
Garantie	12

Toutes les informations, illustrations et spécifications contenues dans ce manuel tiennent compte des dernières informations techniques disponibles au moment de mettre sous presse. Nous nous réservons le droit d'y apporter des modifications à tout moment, sans préavis.

Copyright© 2012 MTD SOUTHWEST INC., Tous droits réservés.



CONSERVEZ CES INSTRUCTIONS

SERVICE TECHNIQUE

NE RAMENEZ PAS CET APPAREIL CHEZ LE DÉTAILLANT. UNE PREUVE D'ACHAT SERA EXIGÉE POUR TOUTE PRISE EN CHARGE DANS LE CADRE DE LA GARANTIE.

Si vous éprouvez des difficultés à assembler ce produit ou si vous avez des questions sur les commandes, l'utilisation ou l'entretien de cet appareil, veuillez contacter le service à la clientèle à **1-800-828-5500** aux États-Unis ou le **1-800-668-1238** au Canada. Des informations supplémentaires sont disponibles sur notre site web à www.troybilt.com ou www.troybilt.ca.

Pour un entretien ou une réparation, veuillez appeler le service à la clientèle pour obtenir une liste complète des concessionnaires agréés près de chez vous. L'entretien de cet appareil doit être confié exclusivement à un concessionnaire agréé pendant et après la période de garantie. Lors de l'entretien, utilisez uniquement des pièces de rechange identiques.




E324672



CONSIGNES DE SÉCURITÉ

Les symboles de sécurité attirent votre attention sur des dangers potentiels. Ces symboles et leurs détails explicatifs méritent que vous les lisiez et compreniez bien. Les avertissements de sécurité ne peuvent éviter les dangers de par eux-mêmes. Les consignes ou mises en garde qu'ils donnent ne remplacent pas des mesures préventives appropriées contre les accidents.

SYMBOLE SIGNIFICATION

	DANGER : le non-respect d'un avertissement peut causer dommages matériels ou blessures graves pour tous. Respectez les consignes de sécurité afin de réduire les risques d'incendie, d'électrocution et de blessures.
	AVERTISSEMENT : le non-respect d'un avertissement peut causer dommages matériels ou blessures graves pour tous. Respectez les consignes de sécurité afin de réduire les risques d'incendie, d'électrocution et de blessures.
	MISE EN GARDE : le non-respect d'un avertissement peut causer dommages matériels ou blessures graves pour tous. Respectez toujours les consignes de sécurité afin de réduire les risques d'incendie, d'électrocution et de blessures.


REMARQUE : donne des informations ou des instructions vitales pour le fonctionnement ou l'entretien de l'équipement.

SIGNIFICATIONS DE MESURE


V Volts
A Ampères
Hz Hertz

Lisez le(s) manuel(s) de l'utilisateur et suivez tous les avertissements et consignes de sécurité. Vous pourriez à défaut entraîner des blessures graves pour vous ou d'autres personnes.

• IMPORTANTES CONSIGNES DE SÉCURITÉ •

	PROPOSITION DE LOI 65 DE CALIFORNIE AVERTISSEMENT : Les bornes de batterie, les cosses et certains composants finis contiennent du plomb, des éléments à base de plomb et des produits chimiques connus de l'État de Californie comme étant à l'origine de cancers, de malformations congénitales ou autres anomalies de la reproduction. Lavez-vous les mains après manipulation.
--	---

CONSIGNES DE SÉCURITÉ GÉNÉRALES POUR LES OUTILS ÉLECTRIQUES

	AVERTISSEMENT : Lisez attentivement et dans leur intégralité les instructions et les avertissements relatifs à la sécurité. Le non respect des avertissements et des consignes peut entraîner des risques d'incendie, de décharge électrique et des blessures graves.
--	--

Gardez les avertissements et les consignes pour une consultation ultérieure.

Le terme « outil électrique » utilisé dans les consignes de sécurité fait référence à votre outil fonctionnant sur secteur (avec cordon électrique) ou batterie (sans cordon électrique).

Sécurité sur le lieu de travail :

- Gardez le lieu de travail propre et bien illuminé.** Un lieu de travail encombré ou sombre augmente le risque d'accidents.
- N'utilisez pas les outils dans un environnement explosif, par exemple en présence de produits inflammables, gaz, ou poussière.** Des outils électriques produisent des étincelles qui peuvent allumer les vapeurs ou la poussière.
- Gardez toutes les personnes et les enfants à distance lorsque vous utilisez un outil électrique.** Les distractions peuvent vous faire perdre le contrôle de l'appareil.

Sécurité concernant l'électricité :

- La fiche de l'outil doit correspondre à la prise de courant.** Ne modifiez en aucune manière la fiche électrique. N'utilisez jamais un adaptateur de fiche avec des outils munis d'une mise à la terre. Des fiches électriques non modifiées et une prise de courant correspondante réduiront les risques de chocs électriques.
- Évitez tout contact avec les surfaces utilisées pour la mise à la terre tels que les tuyaux de plomberie, les radiateurs, des cuisinières et les frigidaire.** Le risque d'électrocution augmente lorsque votre corps est mis à terre ou touche le sol.
- Ne laissez pas vos outils électriques sous la pluie ou dans un environnement humide.** De l'eau pénétrée dans un outil électrique augmentera le risque d'électrocution.
- Ménagez le cordon. Ne portez jamais un outil par le cordon électrique ou ne tirez pas sur le cordon électrique pour débrancher l'outil de la prise de courant.** Gardez le cordon d'alimentation loin des sources de chaleur, d'huile, des bords coupants ou d'objets en mouvement. Un cordon endommagé ou emmêlé augmentera le risque de décharge électrique.
- Lorsque vous utilisez des outils électriques à l'extérieur, n'utilisez que des rallonges conçues pour une utilisation d'extérieur.** Utiliser une rallonge conçue pour une utilisation d'extérieur diminue le risque d'électrocution.
- S'il est absolument nécessaire d'utiliser un outil électrique dans un environnement humide, utilisez une prise de courant protégée par un disjoncteur.** L'utilisation d'une prise de courant avec disjoncteur diminuera le risque d'électrocution.

Sécurité personnelle :

- Soyez attentif, faites attention à ce que vous faites et faites preuve de bons sens lorsque vous utilisez un outil électrique.** N'utilisez pas un outil électrique lorsque vous êtes fatigué, ou sous l'influence de l'alcool, de drogues, ou de médicaments. Une seconde d'inattention lorsque vous utilisez un outil électrique peut résulter en une blessure grave.
- Utilisez un équipement de protection.** Utilisez toujours des lunettes de sécurité. L'utilisation d'un équipement de sécurité tel que masque anti-poussière, chaussures de sécurité antidérapantes, casque ou casque antibruit diminueront le risque de blessures.
- Évitez les démarrages accidentels.** Assurez-vous que l'interrupteur Marche/Arrêt est sur Arrêt avant de brancher sur courant électrique et/ou sur batterie, de ramasser ou de transporter l'outil. Transporter les outils en tenant votre doigt sur l'interrupteur ou le bouton d'actionnement de l'outil augmente le risque d'accidents.
- Enlevez toute pince ou clé d'ajustement avant d'allumer l'outil électrique.** Une clé ou une pince qui serait restée accrochée à une partie rotative peut résulter en blessure grave.
- N'essayez pas d'atteindre un point trop éloigné.** Gardez vos pieds fermement et bien à plat sur le sol et gardez toujours votre équilibre. Ceci vous permet un meilleur contrôle de l'outil dans des situations inattendues.
- Portez des vêtements appropriés.** Ne portez pas de vêtements amples ou de bijoux. Gardez vos cheveux, vos vêtements et gants éloignés des parties en mouvement. Les vêtements et les bijoux trop lâches ou des cheveux longs peuvent se prendre dans les pièces en mouvement.
- Si des ustensiles pour l'extraction de poussières sont fournis avec l'outil, assurez-vous qu'ils sont installés et utilisés correctement.** L'utilisation d'un extracteur de poussière peut réduire les accidents en relation avec la poussière.

L'utilisation et l'entretien d'un outil électrique :

- Ne forcez pas l'outil. Utilisez l'outil approprié pour la tâche.** L'outil approprié exécutera mieux la tâche, plus en sécurité et à la vitesse pour laquelle il a été conçu.
- N'utilisez l'outil que si l'interrupteur Marche/Arrêt fonctionne normalement.** Tout outil qui ne peut être contrôlé par l'interrupteur Marche/Arrêt est dangereux et doit être réparé.
- Débranchez la fiche de la prise de courant et/ou batterie de l'outil avant de faire des ajustements, de changer d'accessoires ou de ranger l'outil.** De telles mesures de sécurité éviteront des démarrages accidentels.
- Rangez vos outils hors de la portée des enfants et ne laissez pas les personnes qui ne sont pas familiarisées avec l'outil ou ses instructions utiliser celui-ci.** Les outils électriques sont dangereux dans les mains d'utilisateurs inexpérimentés.
- Entretenez les outils électriques.** Vérifiez l'alignement de toutes les pièces mobiles, vérifiez si elles ne sont pas déformées ou brisées, vérifiez les supports, et s'il n'y a pas d'autre problème susceptible d'affecter le fonctionnement de l'appareil. S'il y a des dommages, faites réparer l'outil avant de l'utiliser. Beaucoup d'accidents surviennent avec des outils mal entretenus.
- Gardez les lames des outils de coupe bien aiguisées et propres.** Des outils de coupe bien entretenus avec des lames bien affûtées et propres calleront moins vite et sont plus faciles à contrôler.

CONSIGNES DE SÉCURITÉ

- g) Utilisez l'outil, les accessoires et les douilles etc. conformément à ces instructions, en tenant compte des conditions de travail et des tâches à accomplir. L'utilisation de l'outil pour une tâche autre que celle pour lequel il a été conçu peut être dangereuse.

Utilisation et entretien d'un outil électrique fonctionnant sur batterie :

- a) N'utilisez que le chargeur spécifié par le fabricant pour recharger l'outil. Un chargeur conçu pour un type de batterie peut créer un risque d'incendie lorsqu'il est utilisé avec un autre type de batterie.
- b) N'alimentez les outils électriques qu'au moyen des batteries prévues spécifiquement à cet effet. L'utilisation d'autres types de batteries augmente le risque de blessures et d'incendies.
- c) Lorsque la batterie n'est pas dans l'appareil, gardez-la à l'écart de trombones, de pièces de monnaie, de clés, de clous, de vis ou d'autres petits objets métalliques susceptibles de connecter les deux pôles. Court-circuiter les pôles de la batterie peut causer des brûlures ou un incendie.
- d) Des projections de liquide sont susceptibles de se produire en cas d'utilisation abusive de la batterie. Dans l'éventualité de telles projections, évitez tout contact avec le liquide. En cas de contact accidentel, rincez abondamment la zone exposée à l'eau claire. Si du liquide entre en contact avec les yeux, rincez abondamment ces derniers à l'eau claire et consultez un médecin dans les meilleurs délais. Le liquide provenant de la batterie peut occasionner irritations et brûlures.

Entretien :

- a) Faites entretenir votre outil par un technicien qualifié en utilisant des pièces de rechange originales. Ceci assurera la sécurité de votre outil.

AUTRES PRÉCAUTIONS DE SÉCURITÉ



AVERTISSEMENT : Lors de l'utilisation d'outils électriques, des précautions de sécurité de base doivent toujours être suivies afin de réduire les risques d'incendie, de choc électrique et de blessures graves. N'utilisez que les rallonges conçues pour l'utilisation à l'extérieur, telles que les types SW-A, STW-A, STOW-A, SJW-A, SJOW-A, SJTW-A, ou SJTOW-A.

- Rallonges électriques : Assurez-vous que votre rallonge est en bon état, suffisamment résistante pour le courant requis par l'appareil. Si vous avez un doute, utilisez une rallonge de calibre plus élevé. Une rallonge de calibre trop petit entraînera une baisse de tension, une perte de puissance ainsi qu'une surchauffe. Le schéma ci-dessous indique la taille adéquate à utiliser en fonction de la longueur de câble et l'ampérage mentionné sur la plaque-marque.

TAILLE MINIMUM DE FIL POUR DES RALLONGES A APPAREILS DE 120 VOLT DE 6-10 AMPS

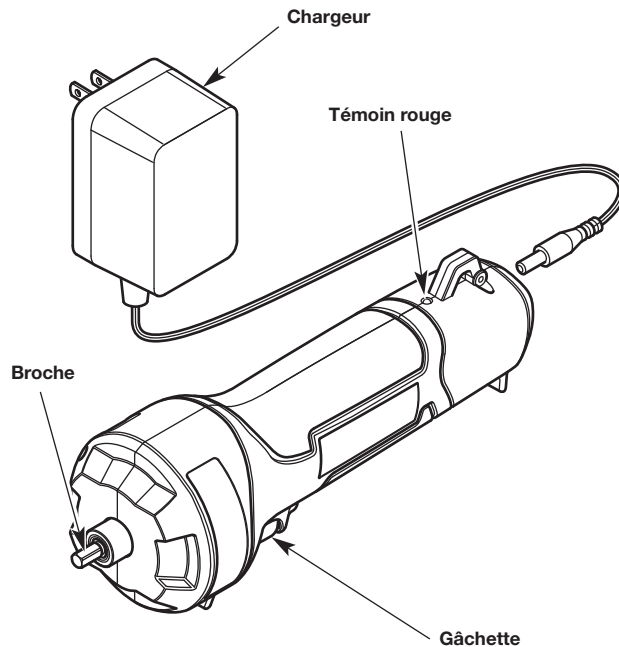
Longueur de la rallonge (pieds)	25	50	100	150
Calibre du câble (AWG)	18	16	14	12

- Si une rallonge est endommagée lorsqu'elle est branchée, retirez-la de la prise de courant et de l'appareil. N'utilisez plus cette rallonge avant qu'elle n'ait été réparée ou remplacez-la.
- Un disjoncteur devrait protéger le(s) circuit(s) ou prise(s) qui seront utilisés pour cet appareil. Des prises de courant avec disjoncteur incorporé sont disponibles et peuvent être utilisées comme mesure de sécurité supplémentaire.
- Portez des lunettes de sécurité avec des écrans sur les côtés conformes aux normes ANSI Z87.1 et un casque antibruit lorsque vous utilisez cet outil. Portez un masque si l'appareil émet de la poussière.
- Gardez les lames des outils de coupe bien aiguisées et propres. Des outils de coupe bien entretenus avec des lames bien affûtées et propres calleront moins vite et sont plus facile à contrôler.
- Laissez refroidir l'outil avant de le ranger ou de le déplacer. Assurez-vous que l'appareil est sécurisé pour les transports.
- Ne jamais tremper ou humidifier l'appareil avec de l'eau ou tout autre liquide. Conservez les poignées sèches, propres et dépourvues de saleté. Nettoyez après chaque utilisation.
- Conservez ces instructions. Consultez souvent ces instructions et utilisez-les pour donner des consignes aux autres utilisateurs. Si vous prêtez cet appareil à quelqu'un, prêtez-lui également ces instructions.

CONSERVEZ CES INSTRUCTIONS

FAMILIARISEZ-VOUS AVEC VOTRE APPAREIL

AUCUN OUTIL NÉCESSAIRE !



INSTRUCTIONS D'ASSEMBLAGE

Cet appareil est vendu complètement monté.

DÉBALLER

- Retirez soigneusement l'appareil et ses accessoires de la boîte.
- Inspectez attentivement l'appareil pour vous assurer qu'il n'a pas été endommagé pendant le transport. Ne jetez pas l'emballage tant que vous n'avez pas inspecté et testé l'appareil de façon satisfaisante. Si des pièces sont endommagées ou manquantes, veuillez appeler le **1-800-828-5500** (E.U.) ou le **1-800-668-1238** (Canada) pour obtenir de l'aide.

RECHARGER LA BATTERIE



ATTENTION : Les modifications et les transformations qui ne sont pas explicitement approuvées par le service responsable de la conformité peuvent annuler le droit de l'utilisateur à utiliser l'équipement.

- REMARQUE :** Cet équipement a été testé et jugé en conformité avec les limites portant sur les appareils numériques de la classe B, en vertu de la section 15 des règles de la FCC. Ces limites servent à assurer une protection raisonnable contre les brouillages préjudiciables dans une installation résidentielle. Cet équipement génère, utilise et peut émettre de l'énergie en radiofréquence, et s'il n'est pas installé ni utilisé conformément aux instructions, peut causer des brouillages préjudiciables aux communications radio. Toutefois il n'est pas garanti que des brouillages ne se produisent pas dans une installation particulière. Si cet équipement occasionne des brouillages préjudiciables aux réceptions de radio ou de télévision, ce qui peut être déterminé en allumant et en éteignant l'équipement, il est conseillé à l'utilisateur d'essayer de corriger le brouillage en appliquant une ou plusieurs des mesures suivantes :
- Réorienter ou déplacer l'antenne de réception.
 - Accroître la distance entre l'équipement et le récepteur.
 - Brancher l'équipement dans une prise sur un circuit différent de celui sur lequel le récepteur est branché.
 - Consulter le fournisseur ou un technicien spécialisé en radio/TV pour une assistance.

REMARQUE : La batterie n'est pas complètement chargée lors du transport. Il est recommandé de la charger avant l'utilisation afin d'assurer une période d'utilisation complète. La batterie lithium-ion ne développera pas de mémoire et peut ainsi être chargée en tout temps. Pour une batterie complètement déchargée, il faut compter 3-5H de charge pour qu'elle se recharge complètement.

REMARQUE : Utilisez uniquement le chargeur fourni (Modèle n° SH-DC120400, P/N 753-06672) pour charger la batterie. L'utilisation de tout autre chargeur risque d'endommager la batterie ou de constituer un danger.

MODE D'EMPLOI

RECHARGER LA BATTERIE

1. Branchez le chargeur dans une prise de courant alternatif.
2. Insérez le chargeur à l'arrière de l'appareil (Fig. 1).
3. Le témoin rouge doit normalement s'allumer (Fig. 1).
4. Le témoin rouge s'éteint une fois que la batterie est complètement chargée.
5. Débranchez le chargeur de l'appareil.

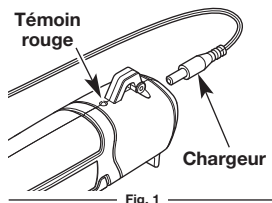


Fig. 1

REMARQUE : L'appareil peut être rangé avec le chargeur connecté, mais ce dernier doit impérativement être débranché de la prise de courant murale au préalable.

REMARQUE : Les batteries lithium-ion en cours d'utilisation fournissent une puissance complète sans affaiblissement, typique pour les autres types de batteries. Lorsque la batterie est complètement déchargée, les circuits de la batterie coupent le courant de l'appareil et il est nécessaire de recharger la batterie immédiatement.

IMPORTANT ! N'UTILISEZ PAS l'appareil lorsque celui-ci est en train de se charger. L'appareil et la batterie pourraient en effet être endommagés.

REMARQUE : Cet accessoire ne peut être utilisé qu'avec des appareils munis de l'option de possibilité de démarrage électrique. Consultez la section *Instructions pour démarrer* dans le manuel de l'utilisateur de l'appareil quand vous utilisez cet accessoire. À USAGE INTERMITTENT SEULEMENT.

UTILISER LE DEMARREUR ELECTRIQUE

AVERTISSEMENT : Pour éviter des blessures graves et des dommages à l'appareil, n'utilisez pas le démarreur électrique sous la pluie, dans la neige ou dans des conditions atmosphériques humides.

REMARQUE : Inspectez l'appareil avant utilisation. **N'UTILISEZ PAS** l'appareil si l'une quelconque de ses pièces est endommagée d'une manière quelconque. Portez l'appareil à un concessionnaire agréé pour le réparer ou le remplacer.

AVERTISSEMENT : Un appareil défectueux peut causer des blessures graves suite à une électrocution. **N'utilisez PAS** l'appareil avant qu'il n'ait été réparé ou remplacé par un concessionnaire agréé.

1. Placez la broche du démarreur électrique dans le trou à l'arrière du moteur en vous assurant que les languettes correspondent avec les encoches sur le démarreur électrique. (Fig. 2)

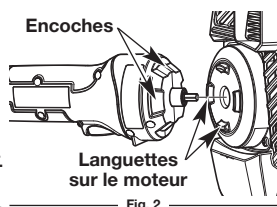


Fig. 2

REMARQUE : Il est possible de devoir tourner légèrement le démarreur électrique pour insérer correctement la broche dans le moteur.

2. Lorsque le démarreur est correctement inséré dans le moteur, pressez la gâchette en observant des intervalles de 4 secondes maximum chacun et ce, jusqu'à ce que le moteur démarre. (Fig. 3)

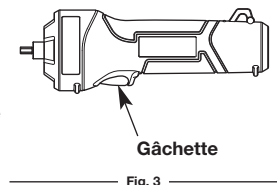


Fig. 3

REMARQUE : Le démarreur électrique est conçu pour être utilisé par intermittence. Pressez la gâchette pendant un maximum de 4 secondes à la fois en laissant un temps de refroidissement de 120 secondes entre chaque tentative de démarrage.

3. Une fois que le moteur a démarré, débranchez le démarreur électrique. L'appareil est maintenant prêt à être utilisé.

Si... le démarreur électrique ne s'allume pas ou s'arrête subitement de fonctionner, patientez 5 secondes au minimum pour permettre à l'appareil de refroidir.

IMPORTANT ! La batterie est équipée d'un disjoncteur interne qui coupera automatiquement le courant de l'appareil en cas de surcharge suite à une utilisation intense. Une fois refroidie, la batterie se réinitialisera elle-même. Suivez les étapes ci-après lors d'une surcharge :

1. Relâchez la gâchette, puis redémarrez l'appareil.
2. Il se peut que vous deviez laisser la batterie refroidir pendant environ 1 minute.

ENTRETIEN ET RÉPARATIONS

REMARQUE : Cet appareil a été conçu sans pièces nécessitant un entretien et ne devrait être réparé QUE par un concessionnaire agréé.

NETTOYAGE ET ENTREPOSAGE

NETTOYAGE

Utilisez une petite brosse pour nettoyer l'extérieur de l'appareil et la broche. N'utilisez pas de détergents agressifs. Des produits d'entretien domestiques qui contiennent des huiles aromatiques telles que le pin ou le citron et des solvants comme le kérosène peuvent endommager le logement en plastique ou la poignée. Séchez l'appareil à l'aide d'un linge doux.

RANGEMENT

- Vérifiez l'appareil avant de le ranger pour vous assurer qu'il est en bonne condition de marche.
- Arrêtez le moteur.
- Rangez l'appareil à l'intérieur dans un endroit sec et sous clé, hors de la portée des enfants.
- Conservez ou remplacez les étiquettes des consignes de sécurité si nécessaire.

DÉPANNAGE

CAUSE	ACTION
LE DÉMARREUR ÉLECTRIQUE NE S'ALLUME PAS	
La batterie n'est pas assez chargée	Chargez la batterie
L'appareil est en surchauffe	Laissez refroidir l'appareil pendant au moins 5 secondes

SPÉCIFICATIONS*

Type de moteur	Sans fil, sur batterie
Tension d'alimentation	12 V max.
Poids de l'appareil	0,75 kg (1,66 Livres)
Durée de charge	3-5 Heures
Température optimale de charge	32° à 104° F (0° à 40° C)
Puissance d'entrée du chargeur de batterie	120 V 60 Hz AC seulement
Puissance de sortie du chargeur	12 V
Poids du chargeur	0,27 kg (0,6 Livres)

* L'ensemble des caractéristiques sont basées sur les toutes dernières informations disponibles sur le produit à l'impression de ce guide. Nous nous réservons le droit d'effectuer des modifications à tout moment sans notification préalable.

GARANTIE LIMITÉE DU FABRICANT POUR:



La garantie limitée énoncée ci-après est accordée par Troy-Bilt LLC et concerne les marchandises neuves achetées et utilisées aux États-Unis, ses possessions et territoires.

Troy-Bilt LLC garantit ce produit contre tout vice de matière ou de façon pendant une période de un (1) an à compter de la date d'achat initiale et elle se réserve le choix de réparer ou de remplacer, à titre gratuit, toute pièce présentant un vice de matière ou de façon. Cette garantie limitée ne s'appliquera que dans la mesure où le produit aura été utilisé et entretenu conformément au Manuel de l'utilisateur fourni avec le produit et n'aura pas fait l'objet d'un usage inadéquat, abusif, commercial ou négligent, d'un accident, d'un entretien inadéquat, d'une modification, de vandalisme, d'un vol, d'un incendie, de dégâts d'eau ou d'un endommagement résultant d'un autre péril ou d'un désastre naturel. Les dommages résultants de l'installation ou de l'utilisation de tout accessoire ou équipement non approuvé par Troy-Bilt pour une utilisation avec le(s) produit(s) couvert(s) par le présent manuel annuleront la garantie en ce qui concerne les dommages qui en résulteraient éventuellement.

POUR L'OBTENTION DU SERVICE DE GARANTIE: le service au titre de la garantie est disponible, SUR PRÉSENTATION D'UNE PREUVE D'ACHAT, AUPRÈS DU DISTRIBUTEUR AGRÉÉ LOCAL. Pour trouver un distributeur dans votre région, visitez notre site Web www.troybilt.com ou www.troybilt.ca, consultez les Pages Jaunes, appelez le **1-800-828-5500** aux États-Unis ou **1-800-668-1238** au Canada, ou écrivez à l'adresse Troy-Bilt LLC, PO Box 361131, Cleveland, OH 44136-0019. Aucun produit retourné à l'usine sans permission écrite préalable du service après-vente de Troy-Bilt ne sera accepté.

La garantie limitée n'offre aucune couverture dans les cas suivants:

- A. Mises au point : bougies, réglages de carburateur, filtres
- B. Éléments pouvant s'user : boutons de butée, bobines extérieures, fil de coupe, moulins intérieurs, poulie du démarreur, cordons de démarrage, courroies d'entraînement, chaînes de scie, guide barres, couteaux de motobineuse.
- C. Troy-Bilt LLC n'accorde aucune garantie pour les produits vendus ou exportés des États-Unis d'Amérique, de leurs possessions et territoires, exception faite en ce qui concerne les produits vendus par l'intermédiaire de ses canaux agréés de distribution à l'exportation.

Troy-Bilt LLC se réserve le droit de modifier ou d'améliorer la conception de ses produits sans pour autant assumer l'obligation de modifier tout produit d'une fabrication plus ancienne.

Aucune garantie implicite, y compris toute garantie de valeur marchande ou d'adaptation à une fin particulière, ne s'applique après la période applicable de garantie expresse écrite ci-dessus concernant les pièces qui sont identifiées. Aucune autre garantie ou caution expresse, écrite ou orale, à l'exception de celle mentionnée ci-dessus, accordée par toute personne ou entité, y compris tout distributeur ou détaillant, concernant tout produit n'engagera la responsabilité de Troy-Bilt LLC. Pendant la période de garantie, le recours exclusif est la réparation ou le remplacement du produit dans les conditions énoncées ci-dessus. (Certains états ne permettent pas la limitation de la garantie implicite, il est donc possible que la limitation ci-dessus ne s'applique pas à vous.)

Les clauses énoncées dans la présente Garantie constituent le recours unique et exclusif inhérent aux ventes. Troy-Bilt LLC ne sera en aucun cas tenue pour responsable de tout dommage indirect ou consécutif ou de dommages comprenant, entre autres, les dépenses encourues du fait du recours à des services de remplacement ou de substitution pour l'entretien des pelouses, le transport ou des frais connexes, ou les frais entraînés par une location destinée à remplacer provisoirement un produit sous garantie. (Certains états ne permettent pas la limitation de la garantie implicite, il est donc possible que la limitation ci-dessus ne s'applique pas à vous.)

Aucun recouvrement, quel qu'il soit, ne sera d'un montant supérieur au prix du produit vendu. Toute modification des dispositifs de sécurité du produit annulera la présente Garantie. Vous assumez tout risque et toute responsabilité résultant de la perte, de l'endommagement ou du préjudice que vous et votre propriété et/ou d'autres et leur propriété pourront encourir d'un fait de l'utilisation normale, de la mauvaise utilisation ou de l'incapacité d'utiliser le produit.

La présente garantie limitée n'est accordée qu'à l'acheteur initial, au preneur initial ou à la personne à laquelle le produit a été offert.

Le Droit des États vis à vis de la présente garantie: la présente garantie vous confère certains droits juridiques et vous pouvez bénéficier d'autres droits lesquels varient d'un état à l'autre.

Pour obtenir l'adresse du distributeur réparateur le plus proche, composez le : **1-800-828-5500** aux États-Unis ou le **1-800-668-1238** au Canada.

Troy-Bilt LLC

P. O. Box 361131

Cleveland, OH 44136-0019



Manual del Operador

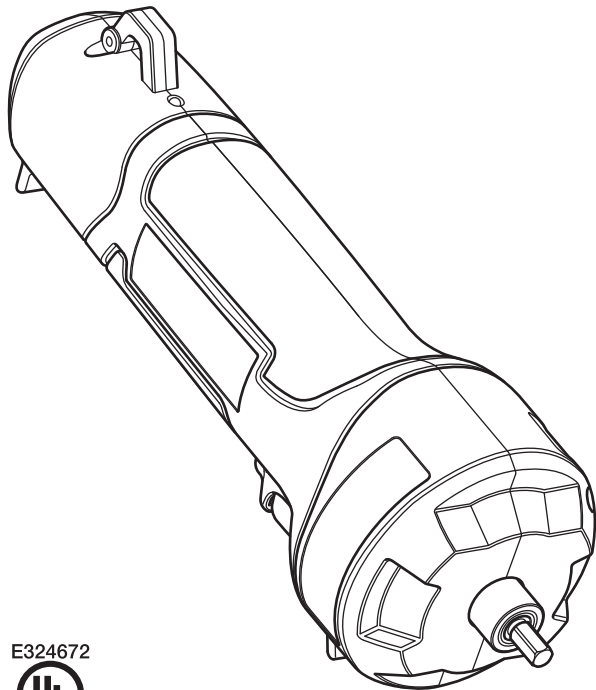
**Arrancador eléctrico alimentado
con batería de ión de litio
49MRBESP966
49MRBESY966**

INDICE DE CONTENIDOS

Información sobre servicio	13
Normas para una operación segura	14
Conozca su unidad	15
Instrucciones de ensamblaje	15
Instrucciones de operación	16
Instrucciones de mantenimiento y reparación	16
Limpieza y almacenamiento	16
Resolución de problemas	16
Especificaciones	16
Garantía	24

Toda la información, las ilustraciones y las especificaciones contenidas en este manual se basan en la información más reciente disponible en el momento de impresión del manual. Nos reservamos el derecho de hacer cambios en cualquier momento sin aviso previo.

Copyright© 2012 MTD SOUTHWEST INC. Todos los derechos reservados.



CONSERVE ESTAS INSTRUCCIONES

INFORMACIÓN SOBRE SERVICIO

NO DEVUELVA ESTA UNIDAD AL VENDEDOR. PARA SOLICITAR SERVICIO POR LA GARANTÍA, DEBERÁ PRESENTAR PRUEBA DE SU COMPRA.

Para solicitar asistencia en relación con el ensamblaje, los controles, la operación o el mantenimiento de la unidad, llame al Departamento de Atención al Cliente en **1-800-828-5500** en EE.UU. o al **1-800-668-1238** en Canada. Puede encontrar más información sobre la unidad en nuestro sitio Web en www.troybilt.com o www.troybilt.ca.


Para mantenimiento, llame al Departamento de Apoyo al Cliente para obtener una lista de distribuidores de servicio autorizados de su localidad. El mantenimiento y reparación de este equipo, ya sea durante o después del período cubierto por la garantía, deben ser realizados solamente por un proveedor de servicios autorizado y aprobado. Cuando vaya a dar mantenimiento al equipo, utilice solo piezas de repuesto originales.


E324672




Los símbolos de seguridad se utilizan para llamar su atención sobre posibles peligros. Los símbolos de seguridad y sus explicaciones merecen toda su atención y comprensión. Los símbolos de seguridad no eliminan ningún peligro por sí mismos. Las instrucciones o advertencias que ofrecen no substituyen las medidas adecuadas de prevención de accidentes.

SIMBOLO SIGNIFICADO

 **PELIGRO:** El no obedecer una advertencia de seguridad puede conducir a que usted u otras personas sufran graves lesiones. Siga siempre las precauciones de seguridad para reducir el riesgo de incendio, descarga eléctrica y lesiones personales.

 **ADVERTENCIA:** El no seguir una advertencia de seguridad puede conducir a que usted u otras personas sufran lesiones. Siga siempre las precauciones de seguridad para reducir el riesgo de incendio, descarga eléctrica y lesiones personales.

 **PRECAUCIÓN:** El no seguir una advertencia de seguridad puede conducir a daño patrimonial o a que usted u otras personas sufran lesiones personales. Siga siempre las precauciones de seguridad para reducir el riesgo de incendio, descarga eléctrica y lesiones personales.


NOTA: Le ofrece información o instrucciones que son esenciales para la operación o mantenimiento del equipo.

SIGNIFICADOS DE LA MEDIDA


V Voltios
 A Amperios
 Hz Hertz

Lea el manual del operador y siga todas las advertencias e instrucciones de seguridad. De no hacerlo, el operador y/o los espectadores pueden sufrir graves lesiones.

• **IMPORTANTE INFORMACION DE SEGURIDAD** •

 **PROPOSICIÓN 65 DEL ESTADO DE CALIFORNIA ADVERTENCIA:** Los bornes y terminales de las baterías, así como determinados productos terminados contienen plomo, compuestos de plomo y otros productos químicos de los que el estado de California tiene conocimiento provocan cáncer, malformaciones congénitas u otros daños al sistema reproductor. Lávese las manos después de manipularlo.

ADVERTENCIAS GENERALES DE SEGURIDAD DE LAS HERRAMIENTAS DE MOTOR

 **ADVERTENCIA:** Lea todas las instrucciones y advertencias de seguridad. El incumplimiento de las advertencias e instrucciones puede resultar en descarga eléctrica, incendio y/o lesiones graves.

Conserve todas las advertencias e instrucciones para consultarlas en el futuro.

La expresión "herramienta eléctrica" en las advertencias se refiere a su herramienta eléctrica que se conecta a la red principal (con cable) o a su herramienta eléctrica accionada por batería (sin cable).

Seguridad del área de trabajo:

- a) **Mantenga el área de trabajo limpia y bien iluminada.** Los accidentes suelen producirse en las áreas de trabajo desordenadas u oscuras.
- b) **No opere herramientas de motor en ambientes explosivos, tales como en presencia de líquidos, gases o polvos inflamables.** Las herramientas de motor generan chispas que pueden inflamar el polvo o los gases.
- c) **Mantenga alejados a los niños y a las personas que estén presentes mientras esté utilizando una herramienta de motor.** Las distracciones pueden hacerle perder el control.

Seguridad eléctrica:

- a) **Los enchufes de las herramientas de motor deben corresponder al tomacorriente.** No modifique nunca el enchufe de ningún modo. No emplee adaptadores de enchufe con herramientas de motor conectadas a tierra. Los enchufes no modificados y las tomas de corriente que correspondan al enchufe reducirán el riesgo de descarga eléctrica.

- b) **Evite el contacto corporal con superficies conectadas a tierra, tales como tuberías, radiadores, cocinas y refrigeradores.** Existe un mayor riesgo de descarga eléctrica cuando su cuerpo está conectado a tierra.
- c) **No exponga herramientas de motor a condiciones lluviosas o húmedas.** Si le entra agua a la herramienta de motor, esto aumentará el riesgo de descarga eléctrica.
- d) **No maltrate el cable de la herramienta.** Jamás transporte, arrastre o desenchufe la herramienta de motor por el cable. Mantenga el cable alejado de fuentes de calor, aceite, bordes afilados o piezas en movimiento. Los cables dañados o enredados aumentan el riesgo de descarga eléctrica.
- e) **Cuando opere una herramienta de motor al aire libre, use un cable de extensión diseñado para uso a la intemperie.** El uso de un cable diseñado para uso a la intemperie reduce el riesgo de descarga eléctrica.
- f) **Si es inevitable manejar una herramienta de motor en un lugar húmedo, utilice una fuente de alimentación protegida por un dispositivo de corriente residual (RCD).** El uso de un RCD reduce el riesgo de descarga eléctrica.

Seguridad personal:

- a) **Manténgase alerta, fíjese en lo que está haciendo y utilice el sentido común cuando opere una herramienta de motor.** No utilice una herramienta de motor si está cansado o bajo la influencia de drogas, alcohol o medicamentos. Sólo hace falta un momento de distracción durante la operación de herramientas de motor para que se produzcan lesiones personales graves.
- b) **Use equipos de protección personal. Utilice siempre protección ocular.** El uso de equipos de protección apropiados para las condiciones de trabajo, tal como máscaras antipolvo, calzado de seguridad antideslizante, casco o protección auditiva, reducirá las lesiones personales.
- c) **Evite el arranque accidental. Asegúrese de que el interruptor esté en la posición de apagado ("OFF") antes de conectar la herramienta a la fuente y/o unidad de alimentación, levantar la herramienta o transportarla.** El hecho de transportar herramientas de motor con su dedo en el interruptor o energizar herramientas de motor que tienen su interruptor en la posición de encendido ("ON") propicia los accidentes.
- d) **Retire toda llave de ajuste antes de encender la herramienta de motor.** Si se deja alguna llave en una pieza giratoria de la herramienta de motor, esto podría provocar lesiones.
- e) **No se esfuerce por llegar a lugares difíciles de alcanzar.** Mantenga una posición y un equilibrio adecuados en todo momento. Esto permite tener un mayor control de la herramienta de motor en situaciones inesperadas.
- f) **Vístase adecuadamente.** No utilice ropa holgada ni joyas. Mantenga su pelo, ropa y guantes alejados de piezas móviles. La ropa suelta, las joyas y el pelo largo pueden quedar atrapados en las piezas móviles.
- g) **Si se proveen dispositivos para la conexión de medios de extracción y recogida de polvo, asegúrese de que los mismos estén conectados y se utilicen como es debido.** El uso de medios de recogida de polvo puede reducir los peligros relacionados con el polvo.

Uso y cuidado de las herramientas de motor:

- a) **No fuerce la herramienta de motor.** Use la herramienta de motor correcta para su aplicación. La herramienta de motor apropiada hará un trabajo mejor y más seguro si se usa de la forma y a la velocidad para la que fue diseñada.
- b) **No use la herramienta de motor si el interruptor no puede encenderla y apagarla.** Cualquier herramienta de motor que no pueda ser controlada con el interruptor es peligrosa y debe ser reparada.
- c) **Desenchufe la herramienta de motor de la toma de corriente y/o de la unidad de alimentación antes de hacer cualquier ajuste, cambiar de accesorio o guardar la herramienta.** Dichas medidas preventivas de seguridad reducen el riesgo de arrancar accidentalmente la herramienta de motor.
- d) **Guarde las herramientas de motor que no esté usando fuera del alcance de los niños y no deje que personas que no estén familiarizadas con la herramienta de motor o con estas instrucciones utilicen la herramienta.** Las herramientas de motor son peligrosas en manos de usuarios no capacitados.
- e) **Mantenga las herramientas de motor.** Compruebe que no haya falta de alineamiento o agarrotamiento en los elementos móviles, ni que haya elementos rotos o cualquier otra condición que pudiera afectar el funcionamiento de la herramienta. Si la herramienta de motor está dañada, haga que la reparen antes de usarla. Muchos accidentes son causados por herramientas de motor mantenidas deficientemente.
- f) **Mantenga las herramientas de corte afiladas y limpias.** Es menos probable que las herramientas de corte mantenidas debidamente, con bordes de corte afilados, se atoren, y dichas herramientas son más fáciles de controlar.

NORMAS PARA UNA OPERACIÓN SEGURA

- g) Use la herramienta de motor, los accesorios y las brocas, etc. de acuerdo con estas instrucciones, teniendo en cuenta las condiciones de trabajo y el trabajo a realizar. El uso de la herramienta de motor para operaciones distintas a aquéllas para las que fue diseñada podría causar una situación peligrosa.

Uso y cuidado de la herramienta de baterías:

- a) **Recargar solo con el cargador especificado por el fabricante.** Es posible que un cargador que sea adecuado para un tipo de batería pueda crear un riesgo de incendio si se utiliza con otra batería.
- b) **Usar las herramientas eléctricas solo con el juego de baterías específicamente diseñado para ellas.** El uso de cualquier otro juego de baterías puede crear riesgo de lesiones e incendio.
- c) **Cuando el juego de baterías no esté instalado en la unidad, manténgalo alejado de objetos metálicos como presillas para papel, monedas, llaves, clavos, tornillos u otros objetos pequeños de metal que pudieran hacer conexión entre los terminales.** Un cortocircuito entre los terminales de la batería puede ocasionar quemaduras o un incendio.
- d) **En condiciones de uso excesivo, puede salir líquido de la batería; evite el contacto. Si ocurre contacto accidental, enjuáguese con agua. Si el líquido entrara en los ojos, busque asistencia médica adicional.** El líquido que sale de la batería puede causar irritación o quemaduras.

Servicio:

- a) **Haga reparar su herramienta de motor por un técnico de reparación calificado, utilizando sólo repuestos idénticos a los originales.** Esto garantizará que se mantenga la seguridad de la herramienta de motor.

OTRAS PRECAUCIONES DE SEGURIDAD



ADVERTENCIA: Al usar herramientas eléctricas siempre deben seguirse las precauciones básicas de seguridad a fin de reducir el riesgo de incendio, descarga eléctrica y lesiones personales. Use solamente los cables de extensión listados en UL que sean adecuados para usarse al aire libre, como los del tipo SW-A, STW-A, STOW-A, SJW-A, SJOW-A, SJTW-A o SJTOW-A.

- Cables de extensión: Asegúrese de que el cable de extensión esté en buen estado, y que sea lo suficientemente pesado para conducir la corriente que la unidad consumirá. Si tiene alguna duda, utilice el cable del siguiente calibre. Si utiliza un cable de extensión demasiado liviano, esto ocasionará una caída de voltaje de la línea, y por consiguiente, se producirá una pérdida de potencia y un recalentamiento. La tabla que aparece a continuación muestra cuál es el tamaño correcto a usar, de acuerdo con la longitud del cable y el amperaje nominal que aparece en la placa de datos de la máquina.

TAMAÑO DE CABLE MÍNIMO DE LOS CABLES DE EXTENSIÓN PARA EQUIPOS DE 120 VOLTIOS QUE USAN DE 6 A 10 AMPERIOS

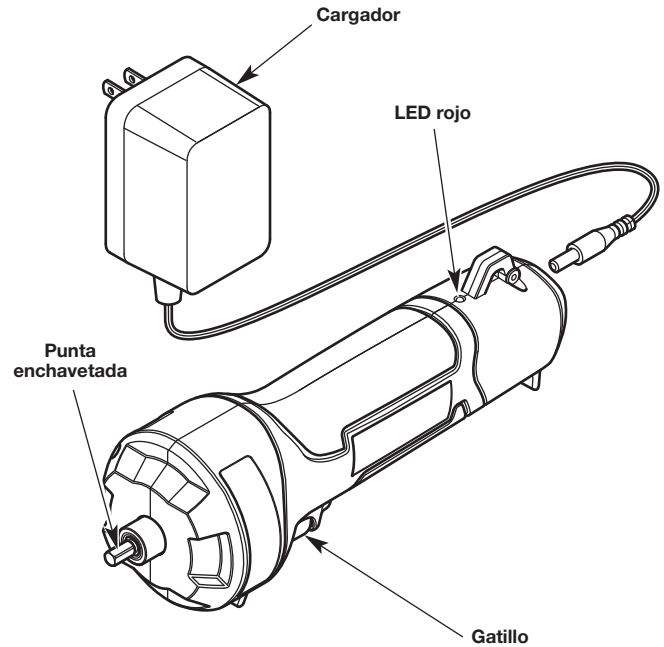
Longitud del cable (pies)	25	50	100	150
Calibre del cable (AWG)	18	16	14	12

- Si el cable de extensión se daña de alguna manera mientras está enchufado, desconecte el cable de extensión tanto del tomacorriente como de la unidad. Si el cable de extensión ha sido reparado o reemplazado, no lo vuelva a usar.
- Debe proveerse protección mediante Interruptores de Circuito de Falla a Tierra (GFCI) para el/los circuito(s) o toma(s) que se utilizarán para esta unidad. Hay cajas tomacorrientes que tienen protección GFCI incorporada, y éstas deberían usarse como medida de seguridad.
- Use lentes o gafas de protección con protectores laterales que estén clasificados como que cumplen con las normas ANSI Z87.1 así como protección para los oídos/audición, mientras opere esta unidad. Use siempre una máscara facial o para protegerse contra el polvo si la operación levanta polvo.
- Mantenga las herramientas de corte afiladas y limpias. Es menos probable que las herramientas de corte mantenidas debidamente, con bordes de corte afilados, se atoren, y dichas herramientas son más fáciles de controlar.
- Deje que el motor se enfríe antes de guardar la herramienta o transportarla. Cerciérese de que la unidad quede bien sujeta al transportarla.
- Nunca moje ni rocíe la unidad con agua ni con ningún otro líquido. Mantenga las manijas secas, limpias y sin residuos. Limpíela después de usarla.
- Guarde estas instrucciones. Consúltelas con frecuencia y utilícelas para enseñar a otros usuarios. Si le presta esta unidad a alguien, préstele también estas instrucciones.

GUARDE ESTAS INSTRUCCIONES

CONOZCA SU UNIDAD

¡NO SE NECESITAN HERRAMIENTAS!



INSTRUCCIONES DE ENSAMBLAJE

Esta unidad se vende totalmente ensamblada.

DESEMPAQUE

- Saque con cuidado el producto y los accesorios de la caja.
- Inspeccione minuciosamente el producto para tener la seguridad de que no se rompió ni dañó nada durante el envío. No deseche los materiales de envase y embalaje hasta tanto no haya inspeccionado minuciosamente y operado satisfactoriamente el producto. Si hay alguna pieza dañada o que falta, llame al **1-800-828-5500 (EE.UU.)** o al **1-800-668-1238 (Canadá)** para solicitar ayuda.

CARGA DE LA BATERÍA



PRECAUCIÓN: Los cambios o modificaciones no aprobados expresamente por la parte responsable de cumplir los requisitos pueden anular la autoridad del usuario para operar el equipo.

NOTA: Este equipo ha sido probado y cumple con los límites de un dispositivo de Clase B, según la Parte 15 de las Reglas de la FCC. Estos límites están diseñados para ofrecer una protección razonable contra la interferencia dañina en una instalación residencial. Este equipo genera, usa y puede transmitir energía de frecuencias de radio, y si no se instala y se usa de acuerdo con las instrucciones, puede causar interferencia que entorpecen las comunicaciones de radio. No obstante, no hay garantías de que ocurrirá una interferencia en una instalación particular. Si este equipo causara interferencia perjudicial a la recepción de radio o televisión, lo cual puede determinarse encendiendo y apagando el equipo, se recomienda al usuario que trate de corregir la interferencia con una o más de las siguientes medidas:

- Reorientar o reubicar la antena receptora.
- Aumentar la separación entre el equipo y el receptor.
- Conectar el equipo a un tomacorriente en un circuito diferente al que está conectado el receptor.
- Consultar con un distribuidor o un técnico con experiencia en instalaciones de radio/TV para obtener ayuda.

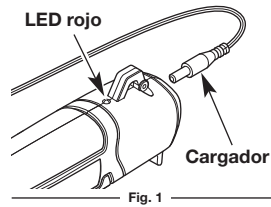
NOTA: La batería no sale de la fábrica totalmente cargada. Se recomienda cargar completamente la batería antes de usarla para asegurarse de lograr el máximo tiempo de funcionamiento. La batería de ión de litio no desarrollará memoria y puede cargarse en cualquier momento. Una batería totalmente descargada necesitará aproximadamente 3-5 horas para cargarse por completo.

NOTA: Al cargar, use solamente el cargador suministrado con el producto (Número de modelo: SH-DC120400, P/N 753-06672). Usar cualquier otro cargador podría dañar la batería o crear una situación peligrosa.

INSTRUCCIONES DE OPERACIÓN

CARGA DE LA BATERÍA

1. Enchufe el cargador en un tomacorriente / receptáculo de pared de CA.
2. Inserte el cargador en la parte de atrás de la unidad (Fig. 1).
3. Se encenderá el LED rojo (Fig. 1).
4. El LED rojo se apagará cuando la batería esté totalmente cargada.
5. Desconecte la unidad del cargador.



NOTA: La unidad puede guardarse con el cargador aún conectado, pero el cargador deberá estar desconectado del tomacorriente/receptáculo de la pared cuando lo haga.

NOTA: Las baterías de ión de litio, mientras están en uso, continuarán proporcionando plena potencia sin disminuir su potencia a diferencia de las baterías normales; cuando la batería esté totalmente descargada, el circuito de la batería cortará inmediatamente la corriente a la herramienta y necesitará cargarse de inmediato.

¡IMPORTANTE! NO use la unidad mientras se está cargando. Hacerlo puede dañar la unidad y la batería.

NOTA: Este accesorio deberá usarse solamente en unidades con capacidad de arranque eléctrico. Al usar este accesorio, consulte las instrucciones de arranque adecuadas en la sección de *Instrucciones de Arranque* del Manual del Operador de la unidad. **PARA USO INTERMITENTE SOLAMENTE.**

CÓMO OPERAR EL ARRANQUE ELÉCTRICO



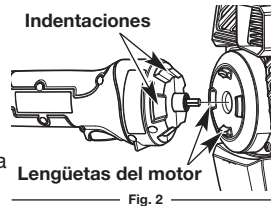
ADVERTENCIA: Para evitar lesiones personales graves y daños a la unidad, no use el arranque eléctrico en lugares húmedos ni mojados, bajo la lluvia o en la nieve.

NOTA: Inspeccione la unidad antes de utilizarla. **NO** use la unidad si alguna parte está dañada de cualquier forma. Llévela a un distribuidor de servicio autorizado para su reemplazo o reparaciones.



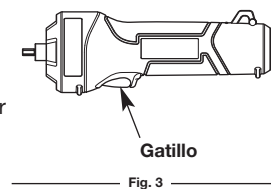
ADVERTENCIA: Una unidad dañada puede ocasionar lesiones personales graves debido a descarga eléctrica. **NO** use la unidad hasta que sea reparada o reemplazada por un distribuidor de servicio autorizado.

1. Coloque la punta enchavetada del arranque eléctrico en el agujero en la parte posterior del motor, asegurándose de que las lengüetas del motor en la parte posterior del motor queden a ras con las indentaciones del arranque eléctrico. (Fig. 2)



NOTA: Es posible que sea necesario voltear ligeramente el arranque eléctrico hasta que la chaveta entre con seguridad en el motor.

2. Con el arrancador eléctrico a ras del motor, apriete el gatillo a intervalos de no más de 4 segundos por vez hasta que la unidad arranque. (Fig. 3)



NOTA: El arranque eléctrico está diseñado para usarse de manera intermitente. Apriete el gatillo durante 4 segundos como máximo por vez con un período de enfriamiento de 120 segundos entre cada intento de arranque.

3. Una vez que arranque el motor, retire del mismo el arrancador eléctrico. La unidad está lista para el uso.

Si... el arrancador eléctrico no enciende o se detiene de repente mientras está en uso, espere al menos 5 segundos para dejar que la unidad se enfríe.

¡IMPORTANTE! La batería está equipada con un disyuntor interno que desconectará automáticamente la alimentación de la unidad en caso de sobrecarga de la batería por esfuerzo excesivo. Una vez se enfríe, la batería se restablecerá por sí misma. En caso de sobrecarga, siga estos pasos:

1. Suelte el gatillo y, después, vuelva a arrancar la unidad.
2. La batería puede necesitar enfriarse aproximadamente 1 minuto.

INSTRUCCIONES DE MANTENIMIENTO Y REPARACIÓN

NOTA: Esta unidad fue diseñada para no tener ninguna pieza que requiera servicio y mantenimiento, por lo que debe ser reparada **SOLAMENTE** por un distribuidor de servicio autorizado.

LIMPIEZA Y ALMACENAMIENTO

LIMPIEZA

Use un cepillo pequeño para limpiar la parte exterior de la unidad y la punta enchavetada. No use detergentes fuertes. Los limpiadores caseros que contengan aceites aromáticos como el pino y el limón, y los disolventes como keroseno, pueden dañar la caja o la manija de plástico. Seque la humedad con un paño suave.

ALMACENAMIENTO

- Revise la unidad antes de guardarla para asegurarse de que el equipo está en condiciones seguras de funcionamiento.
- Pare el motor.
- Guarde la unidad bajo techo en un lugar seco y bajo llave, fuera del alcance de los niños.
- Mantenga o reemplace las etiquetas de seguridad y de instrucciones, según sea necesario.

RESOLUCIÓN DE PROBLEMAS

CAUSA	ACCIÓN
EL ARRANQUE ELÉCTRICO NO ENCIENDE	
La batería no tiene suficiente carga	Cargue la batería
La unidad está recalentada	Deje que la unidad se enfríe durante al menos 5 segundos

ESPECIFICACIONES*

Tipo de motor	Sin cable, alimentado por batería
Voltaje del motor	Máximo de 12 V
Peso de la unidad	1.66 lbs. (0.75 kg)
Tiempo de carga	3-5 Horas
Temperatura de carga óptima	De 32° a 104° F (De 0° a 40° C)
Entrada del cargador de baterías	120 V 60 Hz AC solamente
Salida máxima del cargador de baterías	12 V
Peso del cargador de baterías	0.6 Lbs. (0.27 kg)

* Todas las especificaciones se basan en la información del producto más reciente disponible en el momento de la impresión. Nos reservamos el derecho de hacer cambios en cualquier momento sin previo aviso.

GARANTÍA LIMITADA DEL FABRICANTE PARA:



Troy-Bilt LLC concede la garantía limitada establecida debajo para mercancías nuevas que sean compradas y usadas en los Estados Unidos, sus posesiones y territorios.

Troy-Bilt LLC garantiza este producto contra defectos en el material y la mano de obra durante un período de un (1) año, a partir de la fecha de compra original y a su entera discreción, arreglará o substituirá sin costo alguno cualquier pieza cuyo material o mano de obra se considere defectuoso. Esta garantía limitada se deberá aplicar únicamente si este producto ha sido manejado y mantenido de acuerdo al Manual del Operario incluido con el producto y, si no ha sido sometido a mal uso, abuso, uso comercial, negligencia, accidente, mantenimiento inapropiado, alteración, vandalismo, hurto, fuego, agua o daños debidos a otros riesgos o desastre natural. Los daños ocasionados por la instalación o el uso de cualquier accesorio o aditamento que no esté aprobado por Troy-Bilt y que sea usado con el (los) producto(s) contemplados en este manual, anularán la garantía con respecto a cualquier daño resultante.

CÓMO OBTENER SERVICIO: El servicio de garantía está disponible A TRAVÉS DE SU DISTRIBUIDOR DE SERVICIO LOCAL AUTORIZADO, AL PRESENTAR EL COMPROBANTE DE COMPRA. Para localizar al distribuidor en su área, visite nuestro sitio en Internet en www.troybilt.com o www.troybilt.ca, busque el aviso clasificado en las Páginas Amarillas, llame al **1-800-828-5500** en EE.UU. o al **1-800-668-1238** en Canada, o escriba a Troy-Bilt LLC, PO Box 361131, Cleveland, OH 44136-0019. No se aceptará ningún producto que sea enviado directamente a la fábrica, a menos que haya recibido autorización previa por escrito por parte del Departamento de Servicio al Consumidor de Troy-Bilt.

Esta garantía limitada no ofrece cobertura en los siguientes casos:

- A. Sincronizaciones - bujías, ajustes de carburadores, filtros.
- B. Artículos de desgaste, perillas percusivas, carretes externos, línea de corte, carretes internos, polea de arranque, cuerdas de arranque, correas motoras, vlv cadenas, guía bares, dientes de cultivadora.
- C. Troy-Bilt no le ofrece ninguna garantía a los productos que sean vendidos o exportados fuera de los Estados Unidos de América, sus posesiones y territorios, excepto aquellos que se vendan a través de los canales de distribución para exportación autorizados por Troy-Bilt.

Troy-Bilt se reserva el derecho a cambiar o mejorar el diseño de cualquier producto Troy-Bilt, sin adoptar ninguna obligación para modificar cualquier producto fabricado con anterioridad.

Ninguna garantía implícita es aplicable después del período de aplicabilidad de la garantía expresa escrita con anterioridad, incluyendo cualquier garantía implícita de comerciabilidad o idoneidad para un propósito particular con respecto a las piezas identificadas. Exceptuando lo mencionado anteriormente, ninguna otra garantía expresa bien sea escrita o verbal con respecto a cualquier producto que sea concedida por cualquier persona o entidad, incluyendo al distribuidor o minorista, deberá comprometer a Troy-Bilt LLC durante el período de la Garantía, el remedio exclusivo es el arreglo o la sustitución del producto según lo establecido anteriormente. (Algunos estados no permiten limitaciones en cuanto al período de duración de una garantía implícita, de manera que puede que la limitación anterior no sea aplicable en su caso.)

Las estipulaciones establecidas en esta Garantía ofrecen la solución única y exclusiva que resulte de las ventas. Troy-Bilt no deberá ser responsable de pérdidas o daños incidentales o consecuentes que incluyan, sin limitación, gastos incurridos debido a la sustitución de servicios de mantenimiento de prados, transporte o gastos relacionados, o gastos de alquiler para reemplazar temporalmente un producto bajo garantía.

(Algunos estados no permiten limitaciones en cuanto al período de duración de una garantía implícita, de manera que puede que la limitación anterior no sea aplicable en su caso.)

Ningún tipo de recuperación deberá ser superior al precio de compra del producto vendido, en ningún caso. La alteración de las características de seguridad del producto deberá anular esta Garantía. Usted adopta el riesgo y la obligación de la pérdida, daño o lesión en su persona o a su propiedad y/o la de otras personas y sus propiedades, que se origine a raíz del uso o mal uso, o la incompetencia para usar el producto.

Esta garantía limitada no deberá cubrir a ninguna otra persona distinta al comprador original, arrendatario original, o la persona para la cual se compró en calidad de regalo.

Relación de las leyes estatales con esta Garantía: Esta garantía le confiere derechos legales específicos, y puede que usted también tenga otros derechos, los cuales varían en cada estado.

Para localizar al distribuidor de servicio local más cercano, marque el número **1-800-828-5500** en EE.UU. o al **1-800-668-1238** en Canada.

Troy-Bilt LLC

P. O. Box 361131

Cleveland, OH 44136-0019

Free Manuals Download Website

<http://myh66.com>

<http://usermanuals.us>

<http://www.somanuals.com>

<http://www.4manuals.cc>

<http://www.manual-lib.com>

<http://www.404manual.com>

<http://www.luxmanual.com>

<http://aubethermostatmanual.com>

Golf course search by state

<http://golfingnear.com>

Email search by domain

<http://emailbydomain.com>

Auto manuals search

<http://auto.somanuals.com>

TV manuals search

<http://tv.somanuals.com>