

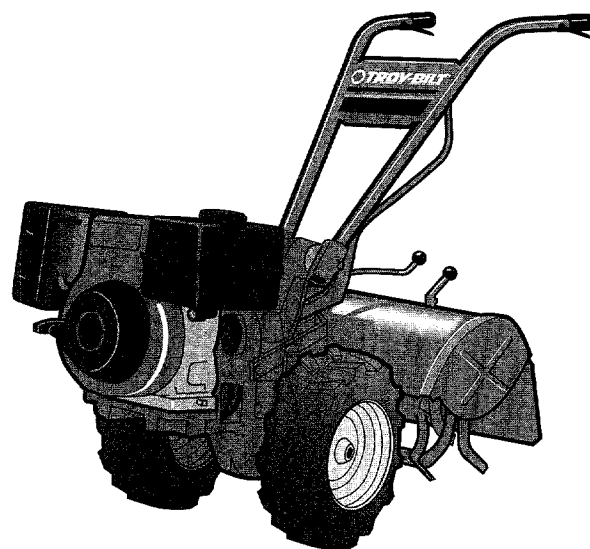


Parts Catalog

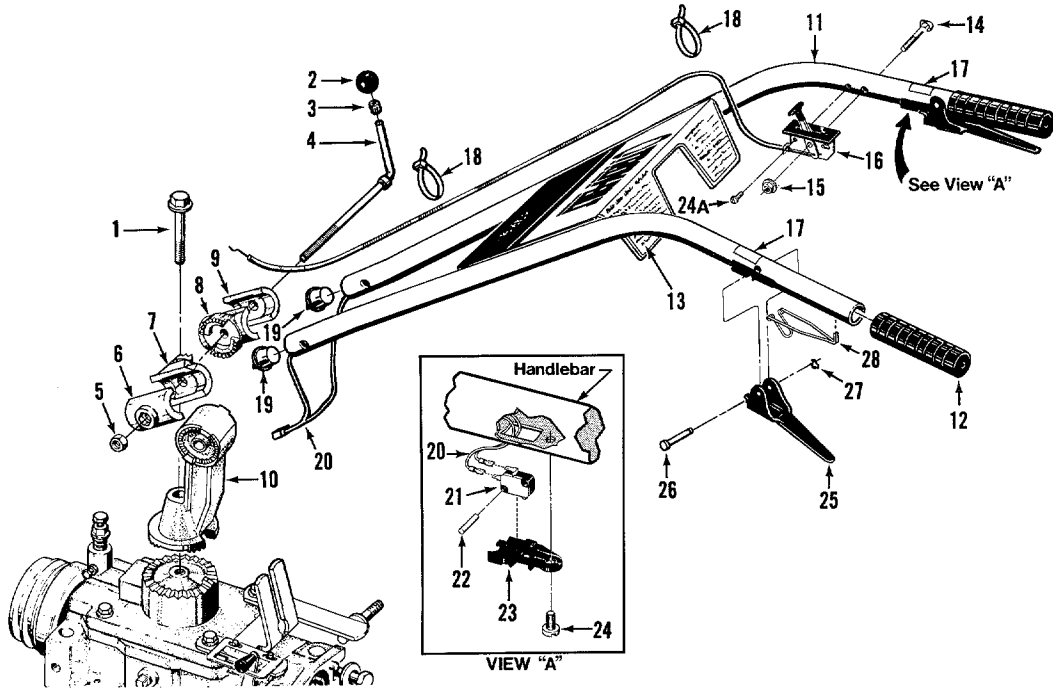
PTO HORSE Tiller

Models

12068	12088
12069	12088C
12070	12089
12071	12089C
12087	12090
12087C	12090C

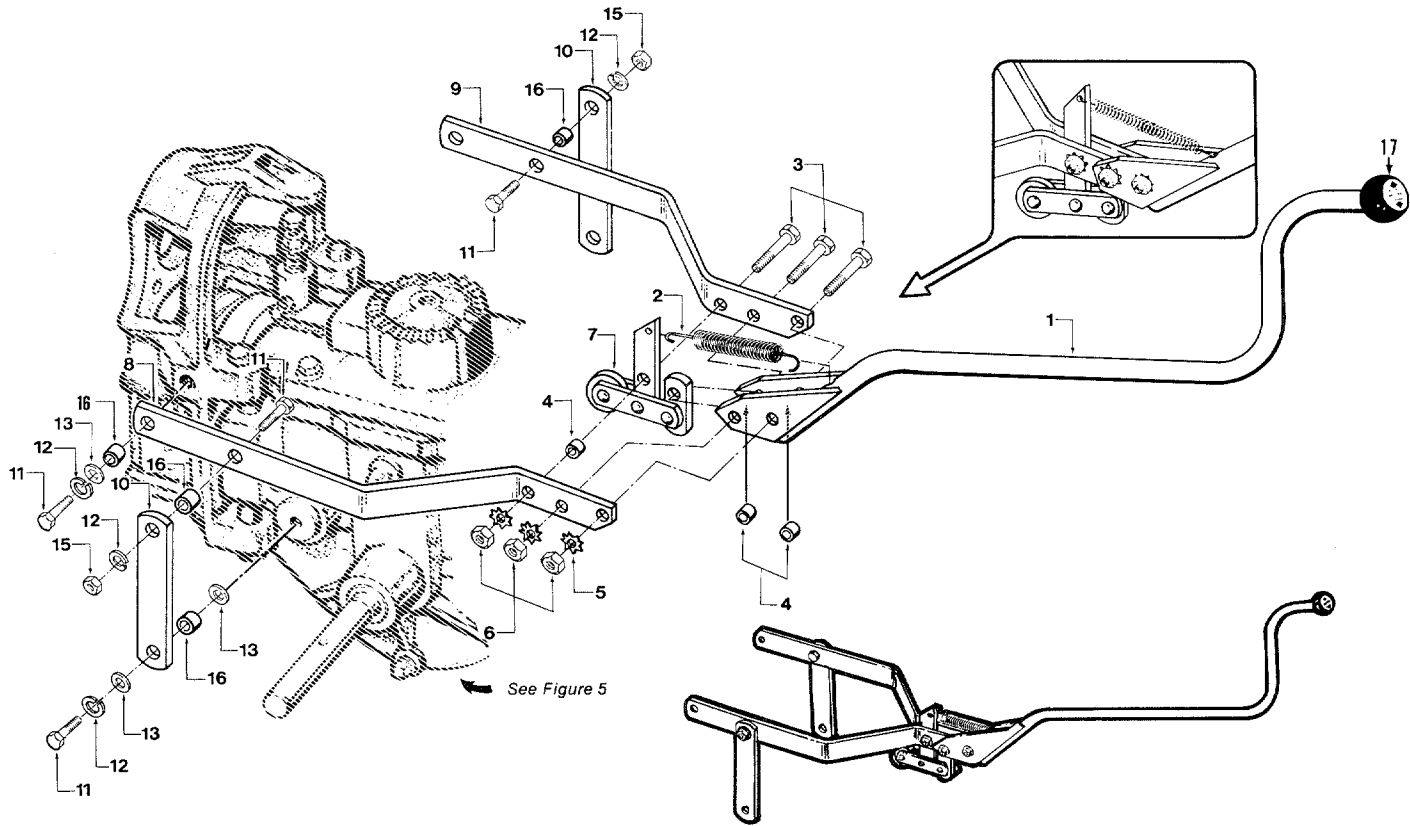


HANDLEBAR ASSEMBLY
(Figure 1)



REF No.	PART No.	DESCRIPTION	QTY.	REF No.	PART No.	DESCRIPTION	QTY.
1	9548	Bolt-Hex hd., flanged self-locking Grade 5, 1/2-13 x 3-1/2"	1	16	9444	Throttle Control & Cable-7HP Briggs & Stratton engine only (also see Ref. No. 24A)	1
2	9119	Knob-handlebar height adjustment (Incl. Ref. No. 3)	1	16A	1909286	Throttle Control & Cable-8HP Briggs & Stratton engine only (also see Ref. No. 24A)	1
3	9120	Ring-retaining (tolerance ring).....	1	16B	9650	Throttle Control & Cable-8HP Kohler engine only	1
4	1881	Stud-handlebar height adjustment (Incl. Ref. No.'s 2, 3 and 5)	1	17	1900763	Decal-Forward Interlock Lever	2
5	1186233	Nut-hex, 1/2"-13.....	1	18	9202	Tie-plastic	2
6	1900854010	Clamp-left, handlebar height adjustment	1	19	9219	Plug-wire harness retainer.....	2
7	1900856010	Ratchet-left, handlebar height adjustment	1	20	2551	Handlebar Wire Harness Assy-forward interlock system	1
8	1900857010	Ratchet-right, handlebar height adjustment	1	21	9250	Handlebar Switch-forward interlock system.....	2
9	1900855010	Clamp-right, handlebar height adjustment	1	22	9385	Lock Pin-handlebar switch.....	2
10	1900858010	Base-handlebar mounting	1	23	2543	Switch Housing-handlebar switch.	2
11	2704	Handlebars-(Includes two of each Ref. Nos. 12, 17 and 28 and one Ref. No. 13).....	1	24	90039	Screw-pan head, 10-24 x 1/2", thread-forming	2
12	9125	Grip-handlebars.....	2	24A	9733	Screw-phillips head, 10-32 x 1/2", thread-forming	1
13	2715	Decal-operator control panel.....	1	25	2546	Lever-forward interlock.....	2
14	9547	Bolt-curved hd, GR5, 1/4-20 x 2" ..	1	26	9199	Pivot Pin-forward interlock lever...	2
15	1186389	Nut-hex, flanged self-locking, whiz lock, 1/4"-20.....	1	27	9514	Retaining Ring-klip ring-forward interlock lever.....	2
				28	9387	Return Spring-fwd interlock lever .	2

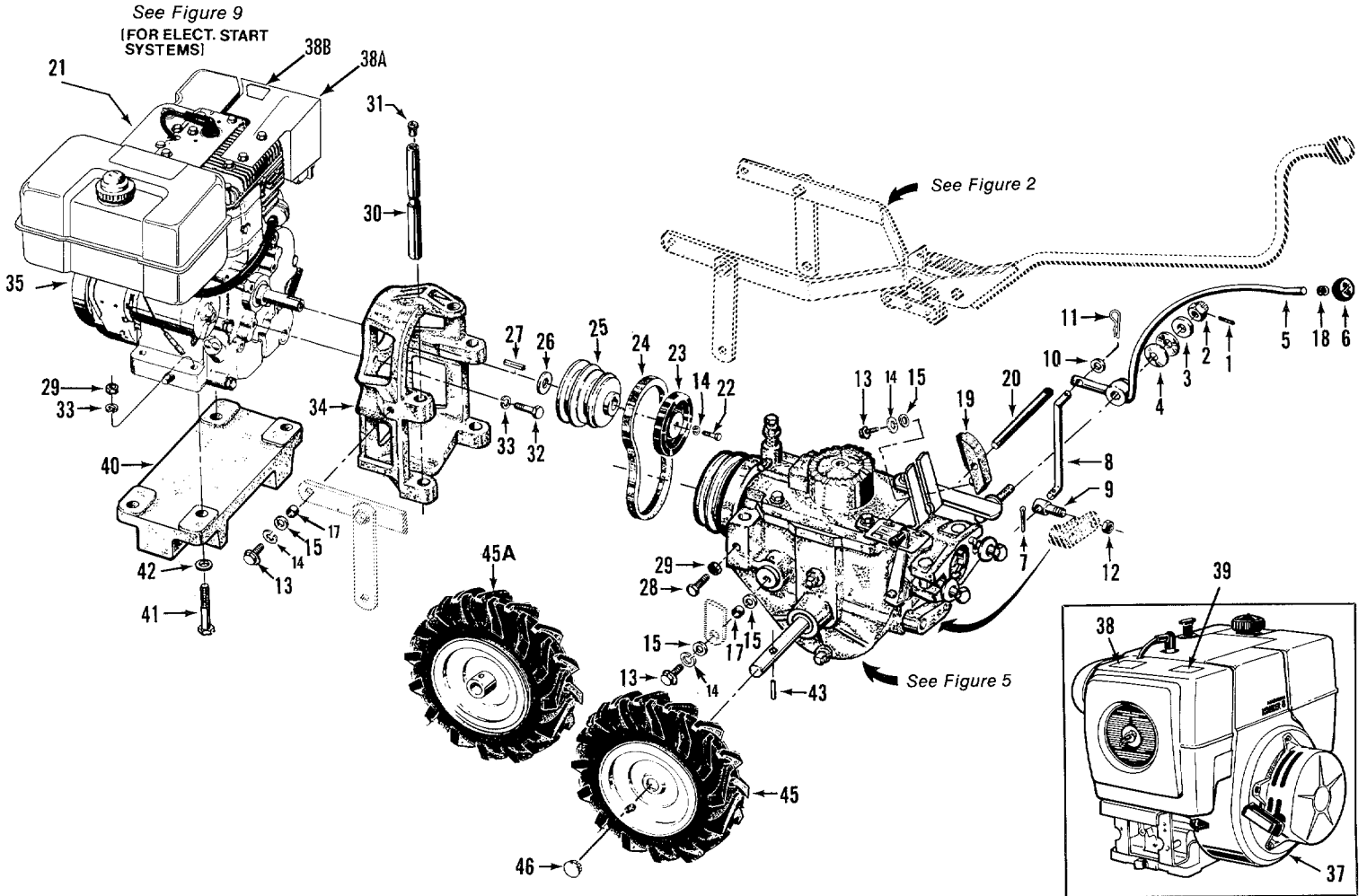
WHEELS/TINES/PTO DRIVE LEVER & YOKE ASSEMBLY
(Figure 2)



REF No.	PART No.	DESCRIPTION	QTY.
1	2574	Lever—Wheels/Tines/PTO Drive (Incl. knob w/decal)	1
2	1908156	Spring—clutch pawl	1
3	1100799	Bolt—hex hd., 5/16-18 x 1-1/2"	3
4	2447	Bushing—3/8"	3
5	1177548	Lockwasher—external tooth, 5/16"	3
6	1186230	Nut—hex, 5/16"-18	3
7	2232	Roller Assembly	1
8	1900468010	Yoke—left side	1
9	1900469010	Yoke—right side	1

REF No.	PART No.	DESCRIPTION	QTY.
10	1900860010	Link—yoke pivot, left & right, 6-7/8" long	2
11	1100046	Bolt—hex hd., 3/8-16 x 1"	6
12	1100243	Lockwasher—spring lock, 3/8"	6
13	9904	Washer—flat, 3/8", S.A.E.	6
14	---	This Ref. No. not used	
15	1186231	Nut—hex, 3/8"-16	2
16	1113-1	Bushing—spacer, 19/64" (.300")	6
17	---	Knob—not avail. separately. See Ref No. 1

WHEEL SPEED LEVER, BELT DRIVE SYSTEM, ENGINES, WHEELS (Figure 3)

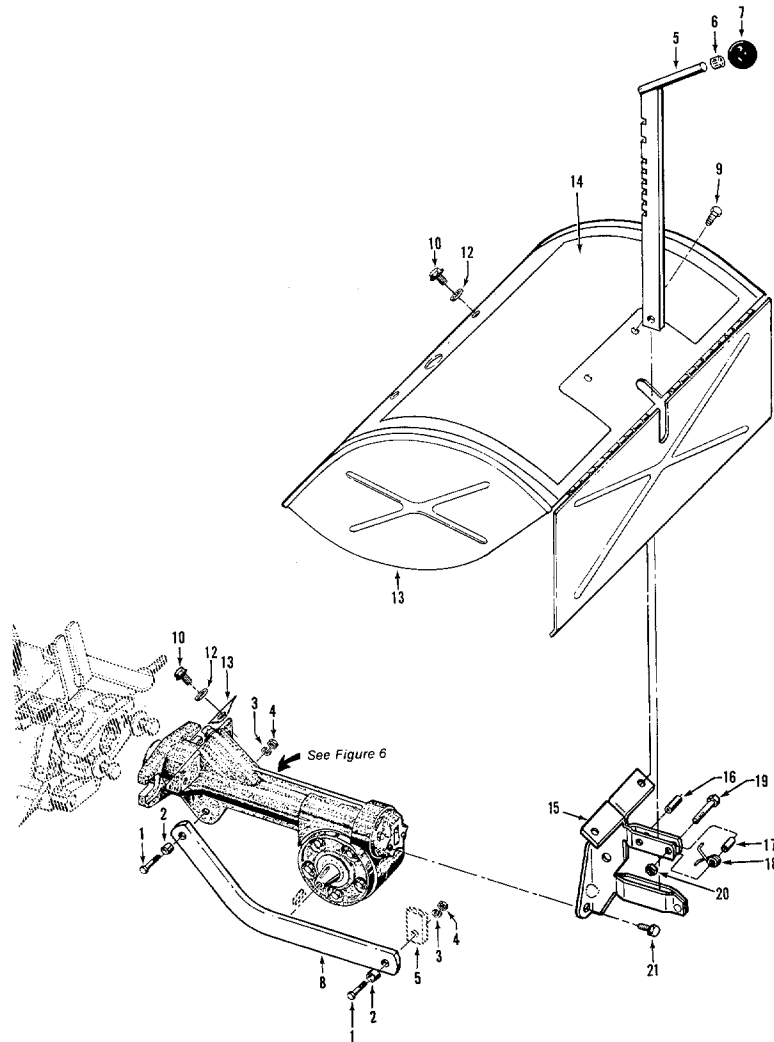


REF No.	PART No.	DESCRIPTION	QTY.	REF No.	PART No.	DESCRIPTION	QTY.
WHEEL SPEED LEVER				30	1034	Bar-engine mounting	2
1	9362	Pin-spring, 1/8"	1	31	9147	Plug-thread protector, red plastic	2
2	9838	Nut-castle (slotted), 1/2"-20	1	32	9572	Bolt-hex hd., 5/16-24 x 1-1/8"	4
3	9934	Washer-shoulder, 1/2"	1	33	1100242	Lockwasher-spring lock, 5/16"	6
4	9932	Washer-disc spring	2	34	2565	Mount- engine to tiller	1
5	2628	Lever-wheel speed shift (incl. Ref No.'s 6 and 18)	1	35	*	7HP Briggs & Stratton Engine-Recoil or electric start. (Electric start requires key switch starting system.)	1
6	1902240	Knob-wheel speed shift lever	1	35	*	8HP Briggs & Stratton Engine-Recoil or electric start. (Electric start requires key switch starting system.)	1
7	9317	Pin-cotter, 3/32" x 1"	1	37	*	8HP Kohler Magnum Engine-recoil start.	1
8	1231	Rod-connecting rod, wheel speed shift lever	1	37	*	8HP Kohler Magnum Engine-electric start. Requires key switch starting system.	1
9	1033	Swivel-connecting rod	1	38A	1909064001	Muffler Guard	1
10	9902	Washer-flat, 5/16", S.A.E.	1	38B	1904565	Decal-hot surface safety warning....	2
11	9338	Pin-hair cotter	1	39	1900767	Decal-engine stabilization, for Kohler engines	1
12	1110107	Locknut-hex hd., 5/16"-18	1	40	2522	Engine Weight-for Briggs & Stratton engines only	1
13	1100046	Bolt-flanged hex hd., 3/8-16 x 1"	5	41	1111607	Bolt-hex hd., 5/16-18 x 2-1/4", Grade 5	2
14	1100243	Lockwasher-spring lock, 3/8"	5	42	20553	Spacer-zinc plated	2
15	9904	Washer-flat, 3/8", S.A.E.	7	WHEEL & TIRE ASSEMBLIES			
16	---	This Ref. No. not used		43	9322	Pin- roll, 5/16" x 1-1/2"	2
17	1113-1	Bushing-spacer, 19/64" (.300"lg.)	4	45	2709-01	**Wheel & Tire Assy- bar tread, left side, 4:80 x 8" tubeless tire with valve stem, on one-piece steel wheel.	1
18	9120	Ring-retaining (tolerance ring)	1	45A	2709-02	**Wheel & Tire Assy-bar tread, right side. Same as above but for right side of tiller	1
BELT DRIVE SYSTEM				46	1902020	Cap-wheel hub	2
19	1920	Block- belt adjustment, 3-7/8" (incl. Ref. No.'s 13, 15, and 20)	1				
20	2100	Rod- belt adjust., 7" with measuring gauge	1				
21	1900766	Decal- engine stabilization, for Briggs & Stratton engines					
22	1100011	Bolt-hex hd., 3/8-24 x 1-1/2"	1				
23	1919	Disc-reverse, (incl. Ref. No. 19)	1				
24	9245	Belt-forward drive (no substitute due to extra strength required)	1				
25	1483	Pulley-engine power take off	1				
26	1138-1	Shim-engine pulley, 1/16" As Req'd					
26	1138-2	Shim-as above, 1/32" As Req'd					
27	9303	Key-engine pulley, 3/16"sq. x 2-1/2"	1				
ENGINES AND ENGINE MOUNT							
28	1100045	Bolt-hex hd., 5/16-18 x 1", Grade 5.	2				
29	1186230	Nut-hex, 5/16"-18	4				

* Contact an authorized Troy-Bilt dealer or the Factory for replacement engine information. Contact an authorized engine dealer for engine service or parts. Refer to the engine nameplate for engine model and type information.

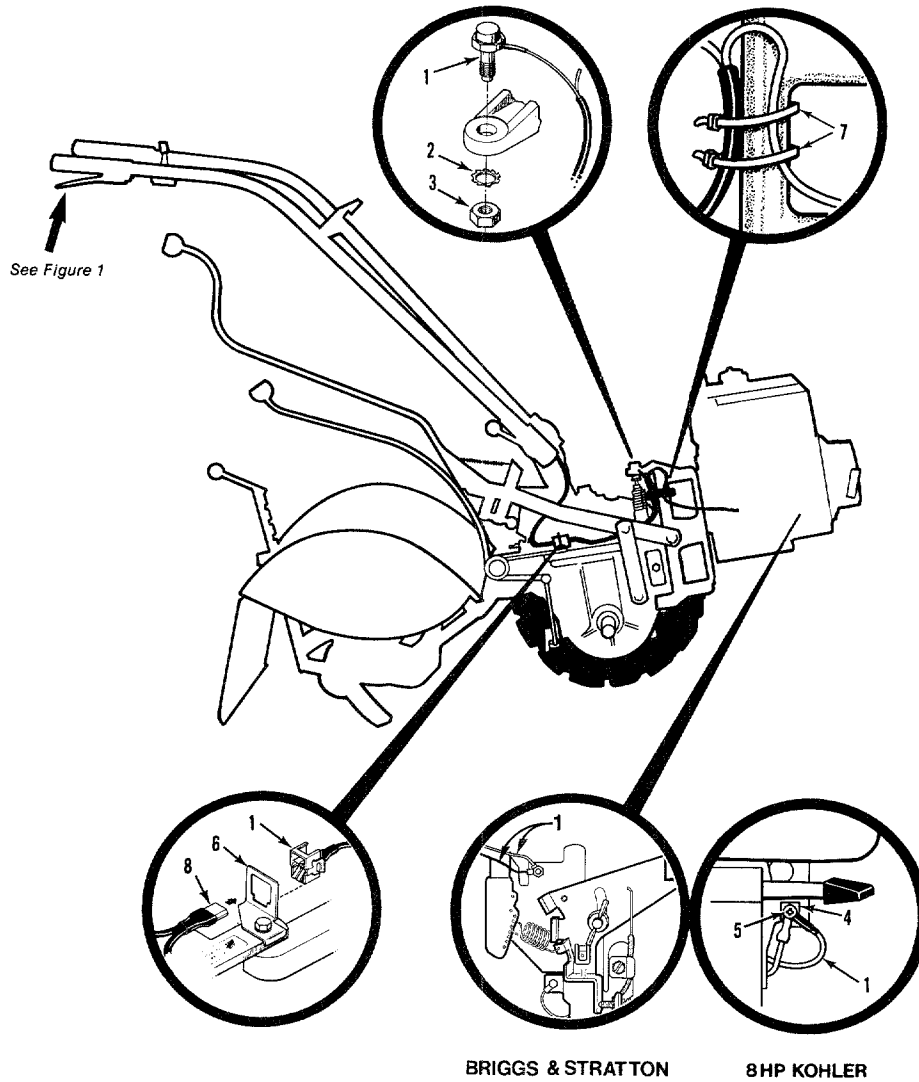
** For correct traction and directional control, Bar Tread Tires should be mounted on the tiller so the closed end of the "V" in the tire tread on top of the tire faces forward.

DEPTH REGULATOR & TINE HOOD ASSEMBLIES
(Figure 4)



REF No.	PART No.	DESCRIPTION	QTY.	REF No.	PART No.	DESCRIPTION	QTY.
1	1100043	Bolt-hex hd., 3/8-16 x 1-1/4"	2	11	----	This Ref. No. not used	
2	1113-1	Bushing-19/64" (.300" lg.)	2	12	9929	Washer-flat, 5/16"	2
3	1100243	Lockwasher-spring lock, 3/8"	2	13	1904563	Hood-(incl. Ref. No. 14)	1
4	1186231	Nut-hex, 3/8"-16	2	14	1904543	Decal-hood, operating instructions.	1
5	1117A	Bar-depth regulator (incl. Ref. No.'s 6 and 7)	1	15	2527	Bracket-(incl. Ref. No. 16)	1
6	9120	Ring-retaining	1	16	9308	Pin-roll (spiro) 1/4" x 1"	1
7	9119	Knob-depth regulator (incl. Ref. No. 6)	1	17	9534	Spacer	1
8	1900867010	Bar-drag, depth regulator	1	18	9384	Spring	1
9	9552	Screw-thread-forming, 1/4-20 x 1/2"	2	19	1100069	Bolt-hex hd., 1/4-20x1"	1
10	1186329	Bolt-flanged hex hd., 5/16-18 x 3/4"	2	20	9811	Locknut-1/4"-20	1
				21	90038	Bolt-flanged hex hd., 5/16-18 x 5/8"	2

**FORWARD INTERLOCK SYSTEM
(Figure 5)**



BRIGGS & STRATTON

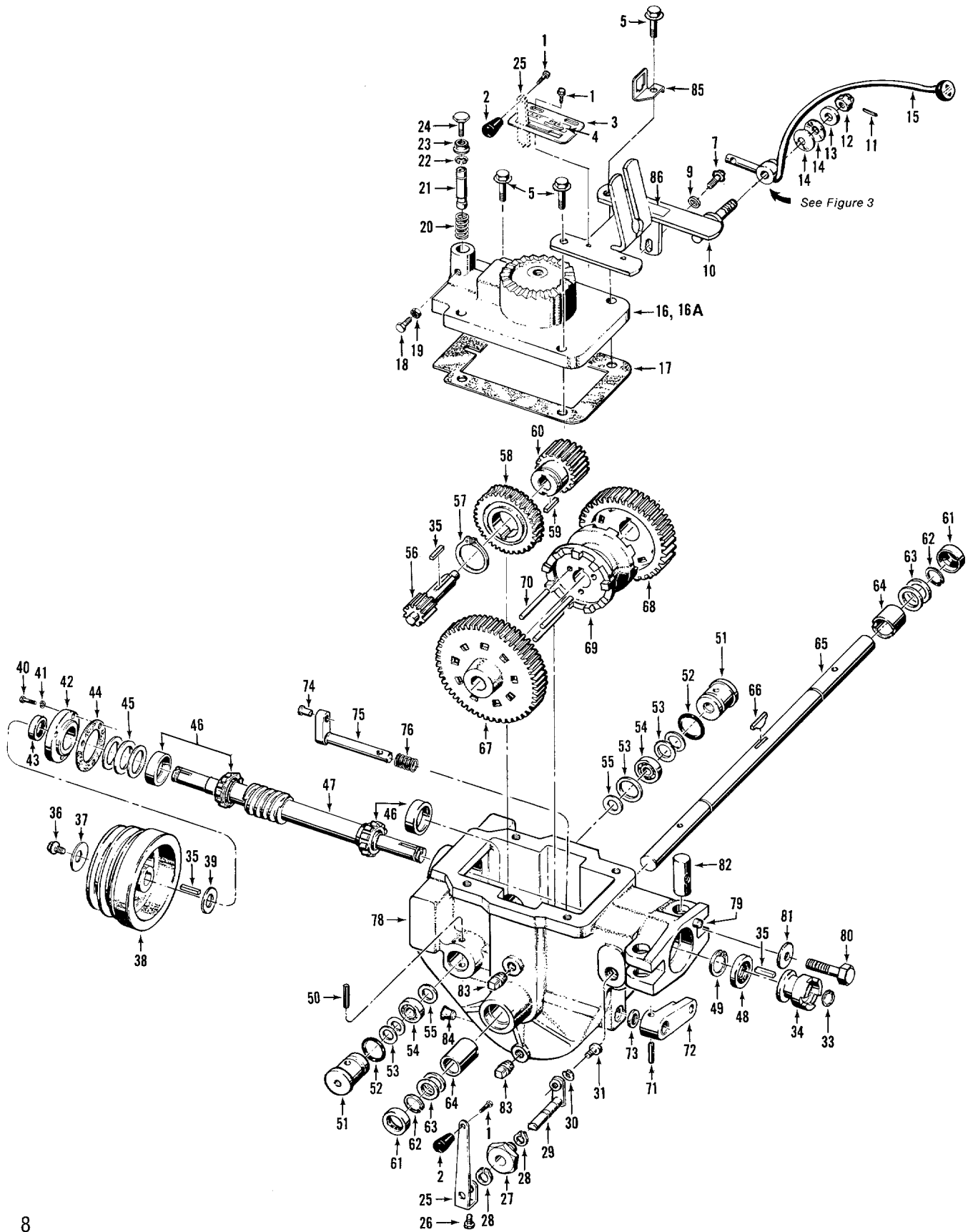
8HP KOHLER

REF No.	PART No.	DESCRIPTION	QTY.
1	2552	Engine Wire Harness Assy—forward interlock system (Incl. one red and one black wire, plug connector, neutral switch and PVC tubing. Parts not available separately.....	1
2	9971	Lockwasher—external tooth, 7/16".....	1
3	1186246	Nut—hex, 7/16"-20.....	1

REF No.	PART No.	DESCRIPTION	QTY.
4	ET69-12	Grommet—for Kohler engine.....	1
5	ET42-447	Screw—#8 Phillips Head, for Kohler engine.....	1
6	9205	Clip—for plug connector.....	1
7	9202	Tie—plastic.....	1
8	2551	Handlebar Wire Harness Assy—(see page 2, Ref. No. 20).....	1

Note: Ref. No. 4 may also be obtained at a Tecumseh Engine Authorized Service Center by ordering part no. 69-12. Ref. No. 5 may also be obtained at a Tecumseh Engine Authorized Service Center by ordering part no. 42-326.

POWER UNIT TRANSMISSION ASSEMBLIES (Figure 6)

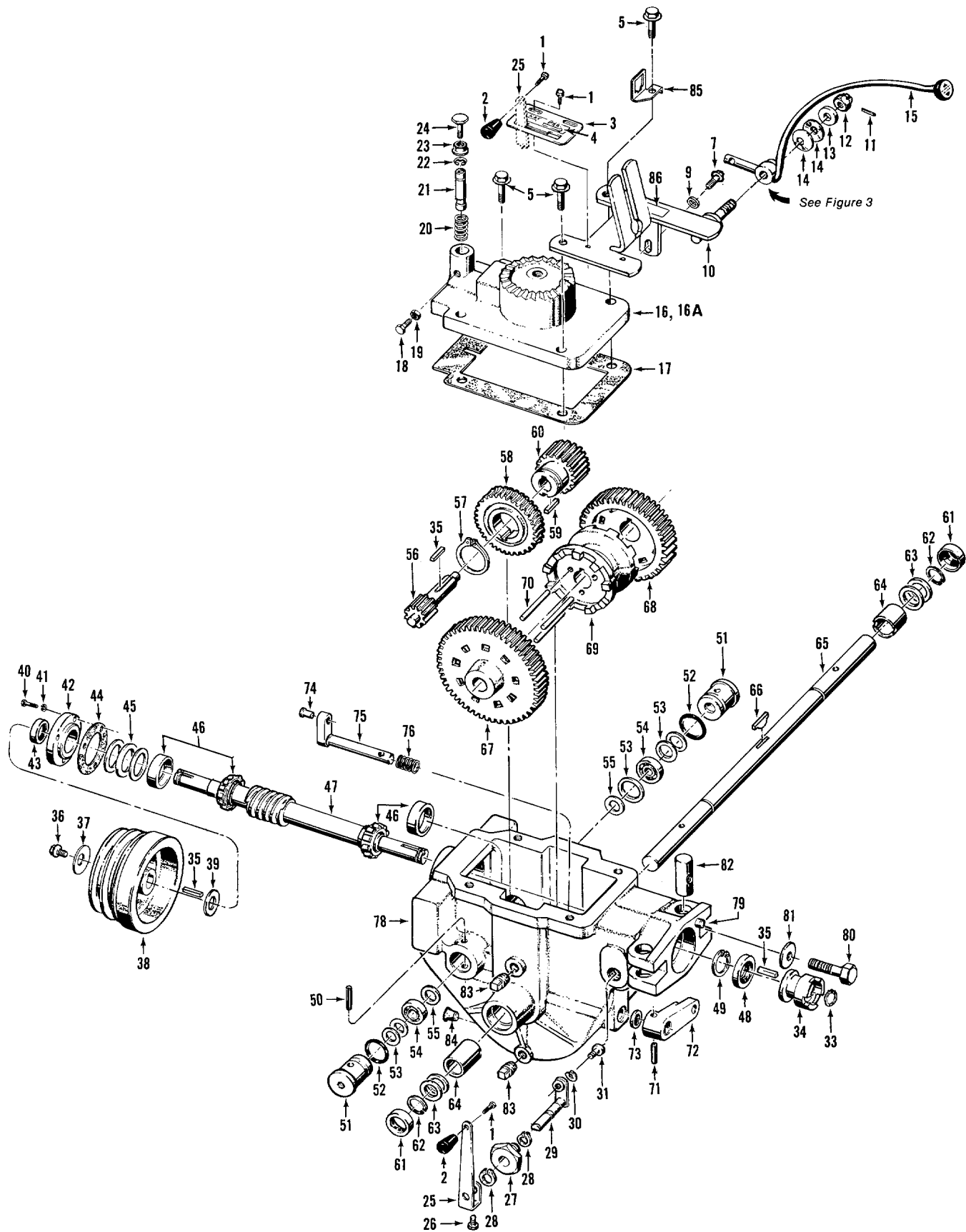


REF No.	PART No.	DESCRIPTION	QTY.
TRANSMISSION COVER & SHIFT LEVER BRACKET ASSEMBLIES			
1	1186299	Bolt-hex hd., #10-32 x 3/8", self-locking flange.....	3
2	9463	Knob-tines/PTO clutch lever, tapered, plastic	1
3	2263	Detent Plate-tines/PTO clutch lever (incl. Ref. No. 4)	1
4	1900758	Decal-operating instructions, detent plate.....	1
5	1186347	Bolt-flanged hex hd., 3/8-16 x 1-1/2"	4
6	----	This Ref. No. not used	
7	1186329	Bolt-flanged hex hd., 5/16-18 x 3/4", Grade 5	1
8	----	This Ref. No. not used	
9	9902	Washer-flat, 5/16", S.A.E.	1
10	1900870010	Bracket-shift levers (incl. Ref. No. 86)	1
11	9362	Pin-spring, 1/8"	1
12	9838	Nut-castle (slotted), 1/2"-20, call Tech Service for tightening instructions.	1
13	9934	Washer-shoulder, 1/2"	1
14	9932	Washer-disc spring	2
15	----	Lever-wheel speed shift (see page 4, Ref. No. 5 for part number) ...	1
16	1900869010	Cover-power unit transmission	1
16A	2566	Cover-power unit transmission (incl. Ref. No.'s 18, 19, 20, 21, 22, 23 and 24)	1
17	1123	Gasket-transmission cover.....	1
18	1100045	Bolt-hex hd., 5/16-18 x 1", Grade 5, (remove with care)	1
19	1186230	Nut-hex, 5/16"-18.....	1
20	1901439	Spring-neutral plunger (remove with care)	1
21	1035	Plunger-neutral (remove with care) (incl. Ref. No. 22)	1
22	1901440	Clip Ring-retains neutral plunger..	1
23	1186393	Nut-hex, flange locknut, 3/8"-16 ...	1
24	1902004	Bolt-hex hd., 3/8-16x1-1/2", threaded full length.....	1
TINES/PTO CLUTCH LEVER ASSEMBLY			
25	1900878010	Lever-eccentric, tines/PTO clutch. (also see Ref. No.'s 1, 2, 3 and 4 listed above)	1
26	1100804	Bolt-hex hd., 1/4-20 x 1/2"	1
27	2123	Bushing-tines/PTO clutch lever eccentric shaft	1
28	9516	Retaining Ring-(snap ring), external.....	2

REF No.	PART No.	DESCRIPTION	QTY.
29	2461	Eccentric-shaft, tines/PTO clutch lever.....	1
30	9911	Lockwasher-hi-collar, 1/4"	1
31	9672	Screw-socket hd., 1/4-20 x 3/8" ...	1
DRIVE SHAFT ASSEMBLY			
32	----	This Ref. No. not used	
33	9500	Retaining Ring-external	1
34	1909139	Dog Clutch-power unit	1
35	9301	Key-3/16 sq. x 1"	3
36	1100004	Bolt-hex hd., 5/16-24 x 3/4", self-locking flange, Grade 5.....	1
37	9944	Washer-disc spring (concave).....	1
38	2107	Pulley-transmission drive, cast iron	1
39	50027	Washer-flat, hardened shoulder 1-1/4".....	1
40	1186310	Bolt-hex hd., 1/4-20 x 3/4", front bearing cap.....	3
41	----	This Ref. No. not used	
42	1900879010	Cap-front bearing	1
43	85030	Seal-oil, front bearing cap	1
44	1124-2	Gasket-front bearing cap	1
45	1224-1	Shim-front bearing cap, 010" thick	As Req'd
45	1224-2	Shim-as above, .030".....	As Req'd
45	1224-3	Shim-as above, .005".....	As Req'd
45	1224-4	Shim-as above, .062".....	As Req'd
46	1714	Bearing & Cup-tapered cone roller bearing with cup (race). Cone and cup sold as set only	2
47	11601	Shaft-main drive, power unit. Incl. integral worm, plus two pressed-on cone roller bearings, two bearing cups and two shoulder washers	1
48	9617	Seal-oil, drive shaft, rear	1
49	9517	Retaining Ring-(snap ring), internal.....	1
PINION SHAFT ASSEMBLY			
50	9309	Pin-roll (spiro), 1/4 x 2"	2
51	1060A	Plug-retaining, pinion bearing (incl. Ref. No. 52)	2
52	9604	O-Ring-retaining plug.....	2
53	1132-1	Shim-retaining plug, 1-1/64" inner dia., .033" thick (on right side only one #1132-1 shim is also used between bearing and washer, Ref. No.'s 54 & 55).....	As Req'd

(continued)

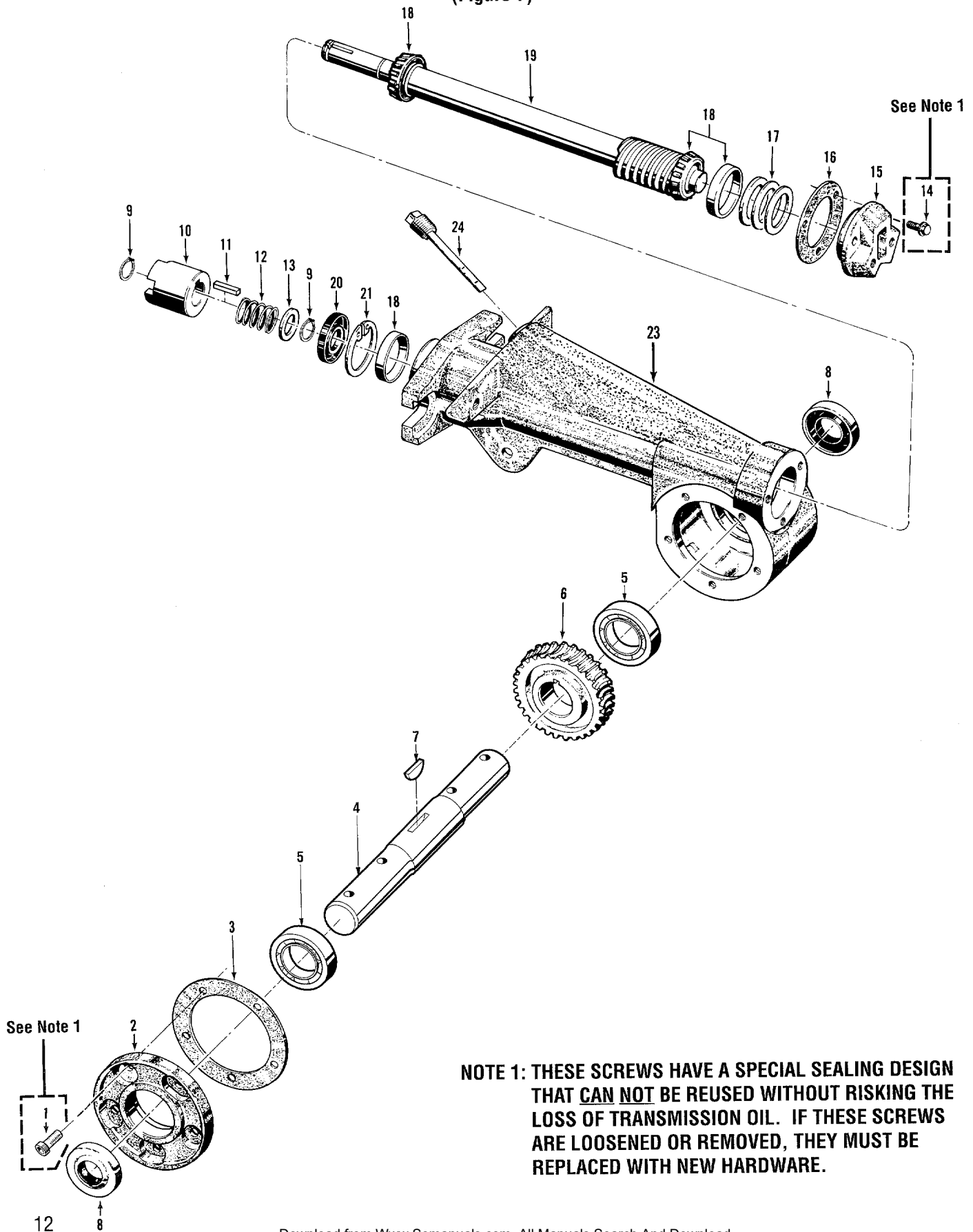
POWER UNIT TRANSMISSION ASSEMBLIES (Figure 6 Continued)



REF No.	PART No.	DESCRIPTION	QTY.
PINION SHAFT ASSEMBLY (continued)			
53	1132-2	Shim—same as 1132-1, .062" thick	As Req'd
53	1132-3	Shim—same as 1132-1, .010" thick	As Req'd
54	9404	Bearing—ball, pinion shaft	2
55	1126	Washer—pinion shaft	2
56	1222	Stem Pinion—slow speed gear & shaft	1
57	9502	Ring—retaining, external	1
58	2656	Worm Gear—bronze, wheel drive	1
59	9300	Key—3/16" x 5/8"	1
60	1233	Gear—fast speed pinion	1
WHEEL SHAFT ASSEMBLY			
61	9621	Seal—oil, wheel shaft	2
62	9511	Retaining ring—external	2
63	1166-1	Shim—wheel shaft, 1-1/64" inner dia., .062" thick	As Req'd
63	1166-2	Shim—as above, .030" thick	As Req'd
63	1166-3	Shim—as above, .015" thick	As Req'd
63	1166-4	Shim—as above, .010" thick	As Req'd
63	1166-5	Shim—same as above, .005" thick	As Req'd
64	1086	Bushing—bronze, wheel shaft bearing	2
65	1878	Shaft—wheel, 15-5/8", (Incl. two of Ref. No. 62 and one Ref. No. 66)	1
66	9357	Key—Hi Pro, 1/4" x 1-3/4"	1
67	1223	Gear—slow speed, wheel drive	1
68	1232	Gear—fast speed, wheel drive	1
69	1237	Dog Clutch—wheel drive	1
70	1112	Pin—clutch guide, 1/4" diameter	3

REF No.	PART No.	DESCRIPTION	QTY.
ECCENTRIC SHAFT ASSEMBLY			
71	9307	Pin—roll, 3/16" x 1-1/4" (spirol)	1
72	1900880010	Lever—eccentric, wheel speed shifting	1
73	9622	Seal—oil, eccentric shaft	1
74	1442	Pin—eccentric shaft, wheel speed shifting	1
75	2712	Eccentric Shaft—wheel speed shifting	1
76	1441	Spring—eccentric shaft	1
77	----	This Ref. No. not used	
TRANSMISSION HOUSING			
78	2260	Housing—power unit transmission (incl. Ref. No. 79). Empty housing without covers, shafts, gears, seals, etc. Call Factory before ordering)	1
79	9359	Pin—alignment	1
MISCELLANEOUS PARTS			
80	9560	Bolt—hex hd., 1/2-13 x 2" Grade 5	2
81	9928	Washer—disc spring (concave), domed side faces bolt head	2
82	2126	Post—with threaded hole for Ref. No. 80	2
83	9726	Plug—pipe, 1/4"	2
84	9122	Plug—red plastic, thread protector	1
85	9205	Clip—forward interlock system plug connector (see page 7)	1
86	1900759	Decal—forward interlock wire harness	1

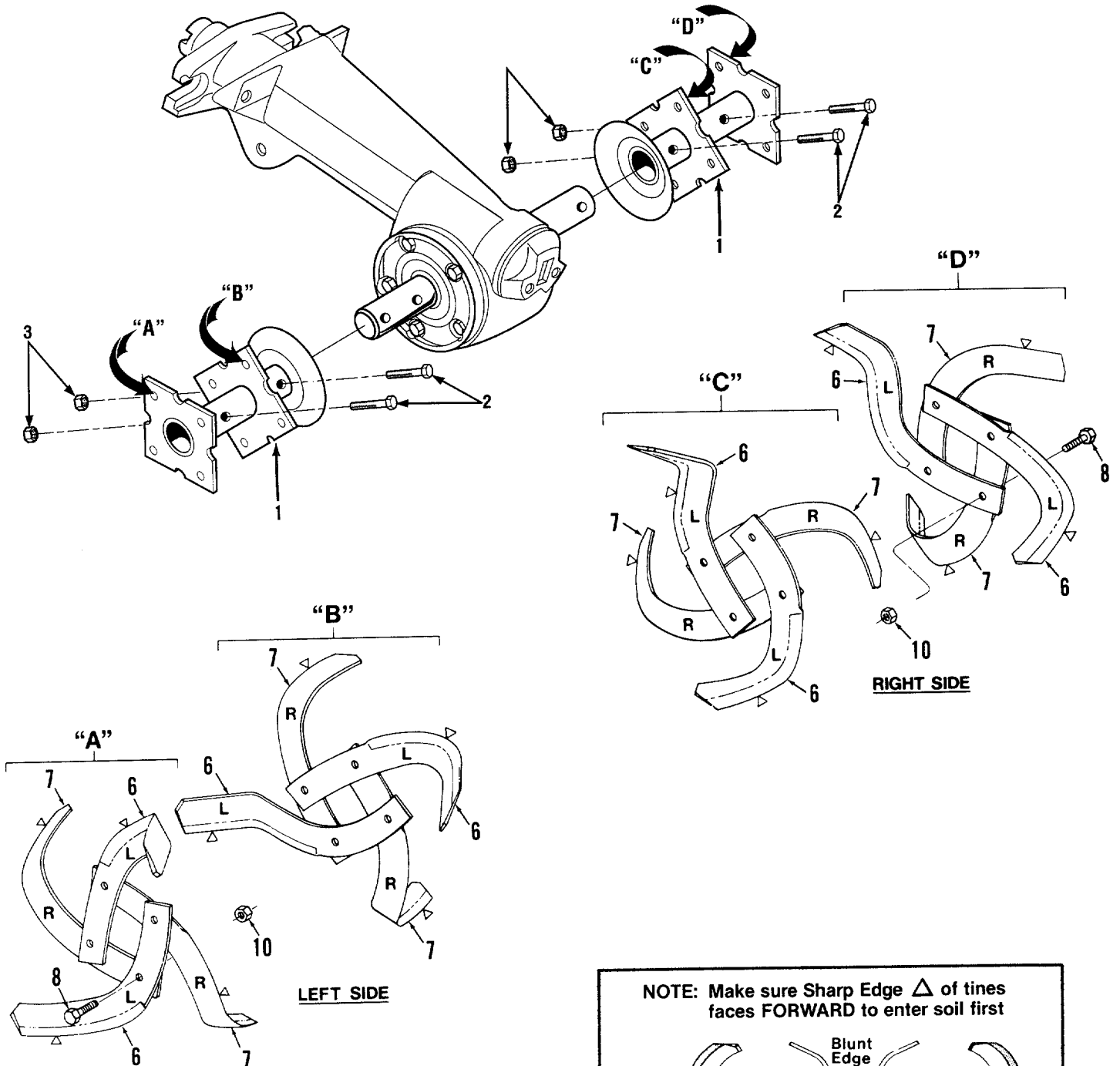
TILLER ATTACHMENT TRANSMISSION ASSEMBLIES (Figure 7)



REF No.	PART No.	DESCRIPTION	QTY.
1	1915087	Screw Kit, includes five (5) 1/4"-20 x 5/8" self-sealing screws	As Req'd
2	20873	Cover-tiller housing	1
3	1129-1	Gasket-tiller housing cover, .010" thick.....	As Req'd
3	1129-2	Gasket-same as above, .030" thick.....	As Req'd
4	1901972	Shaft-tiller tine.....	1
5	97074	Ball Bearing.....	2
6	1901976	Worm Gear-bronze, tiller tine shaft	1
7	1104	Key-tiller tine shaft, woodruff key.	1
8	97073	Seal-oil, tiller tine shaft.....	2
TILLER DRIVE SHAFT ASSEMBLY			
9	9500	Retaining Ring-external	2
10	1909138	Dog Clutch-tiller drive shaft.....	1
11	9301	Key-3/16" x 1".....	1
12	2127	Spring-dog clutch.....	1
13	1138-1	Shim-dog clutch, 1/16"(.62") thick..	1
14	1915089	Screw Kit, includes three (3) 1/4"-20 x 7/8" self-sealing screws.....	As Req'd
15	1900881010	Cap-rear bearing.....	1
16	1124-2	Gasket-rear bearing cap	1
17	1224-1	Shim-front bearing cap, .010" thick.....	As Req'd

REF No.	PART No.	DESCRIPTION	QTY.
17	1224-2	Shim-same as above, .030" thick.....	As Req'd
17	1224-3	Shim-same as above, .005" thick.....	As Req'd
17	1224-4	Shim-same as above, .062" thick.....	As Req'd
18	1714	Bearing & Cup-sold as set only	2
19	11602	Shaft-main tiller drive (incl. an integral worm gear, plus two pressed-on cone roller bearings, two bearing cups (Ref. No. 18) and one shoulder washer	1
20	9617	Seal-oil, drive shaft, front.....	1
21	9517	Retaining Ring-internal.....	1
22	----	This Ref. No. not used	
TRANSMISSION HOUSING AND DIPSTICK			
23	1902000	Housing-tiller attachment (incl. pressed-on sleeve in front of housing). Empty housing without shafts, gears, seals, dipstick, etc. Call Factory before ordering.....	1
24	1909157	Dipstick-oil, tiller attachment.....	1

BOLO TINE ASSEMBLIES
(Figure 8)



LEGEND:
 △ = Sharp Edge
 L = Left Bolo Tine
 R = Right Bolo Tine

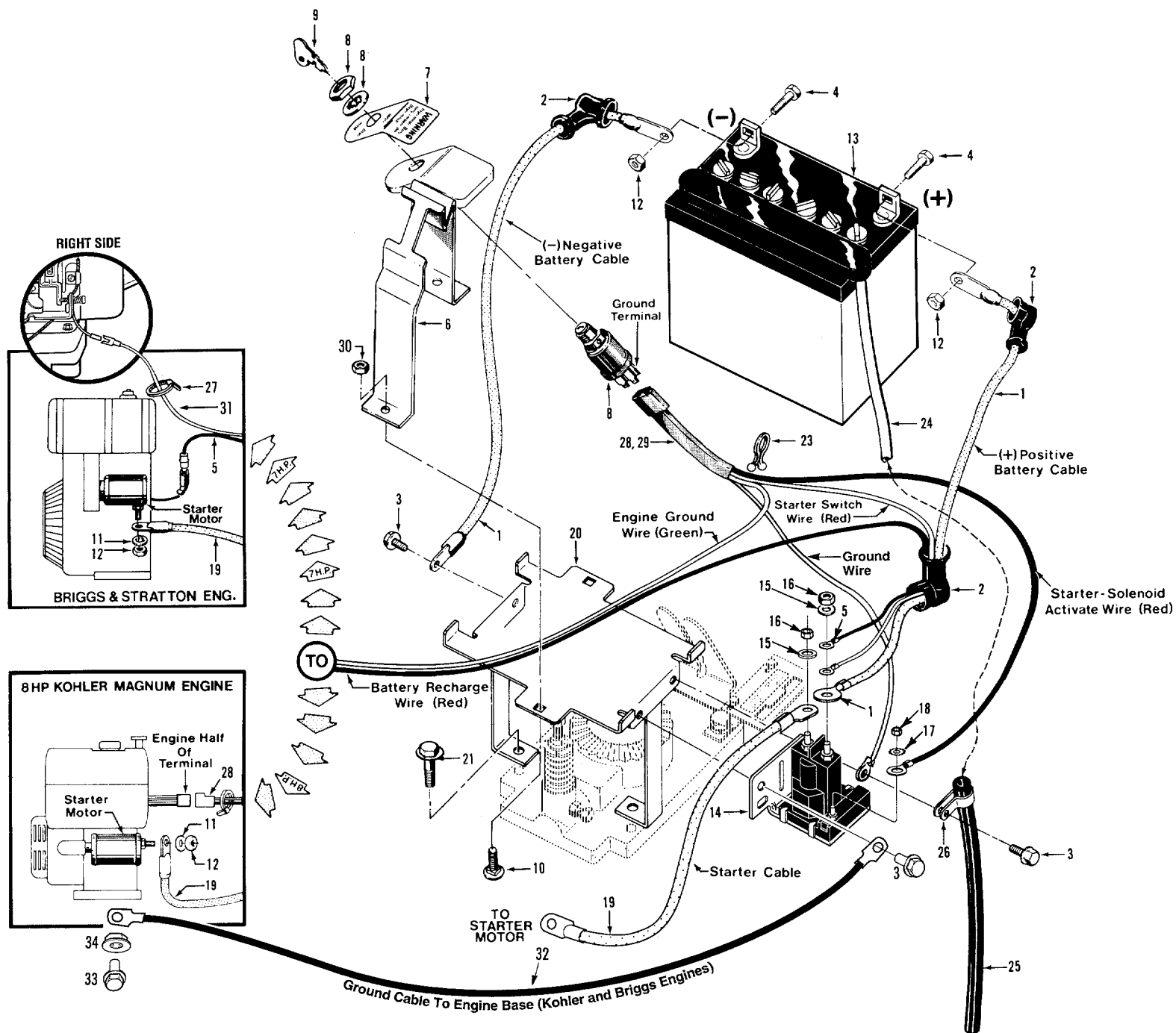
NOTE: Make sure Sharp Edge △ of tines faces FORWARD to enter soil first

LEFT HAND TINE RIGHT HAND TINE
 (As viewed with blunt edge facing you.)

REF No.	PART No.	DESCRIPTION	QTY.
STANDARD TILLING TINES			
1	1901975010	Tine Holder—welded steel, fits left or right sides.....	2
2	1982612	Bolt—hex hd., 3/8-16 x 2".....	4
3	----	This Ref. No. not used.....	
4	----	This Ref. No. not used.....	
5	----	This Ref. No. not used.....	
6	1270-1A	Bolo Tine—single, left hand. Used on left and right side tine assy. Tine is stamped either "EL" or "AL". (Incl. two each of Ref. No.'s 8 and 10).....	8
7	1270-2A	Bolo Tine—single, right hand. Used on left and right side tine assy. Tine is stamped either "ER" or "AR". (Incl. same hardware as Ref. No. 6).....	8
8	1100046	Bolt—hex hd., 3/8-16 x 1".....	16
9	----	This Ref. No. not used.....	
10	1733398	Locknut—hex, 3/8"-16.....	20
---	1901118	Tine Replacement Kit—unassembled (Incl. eight each of Ref. No.'s 6, and 7, sixteen each of Ref. No.'s 8 and 10). Includes easy-to-follow installation instruction. DOES NOT INCLUDE tine holders, holder mounting hardware, or tine shaft keys.....	1

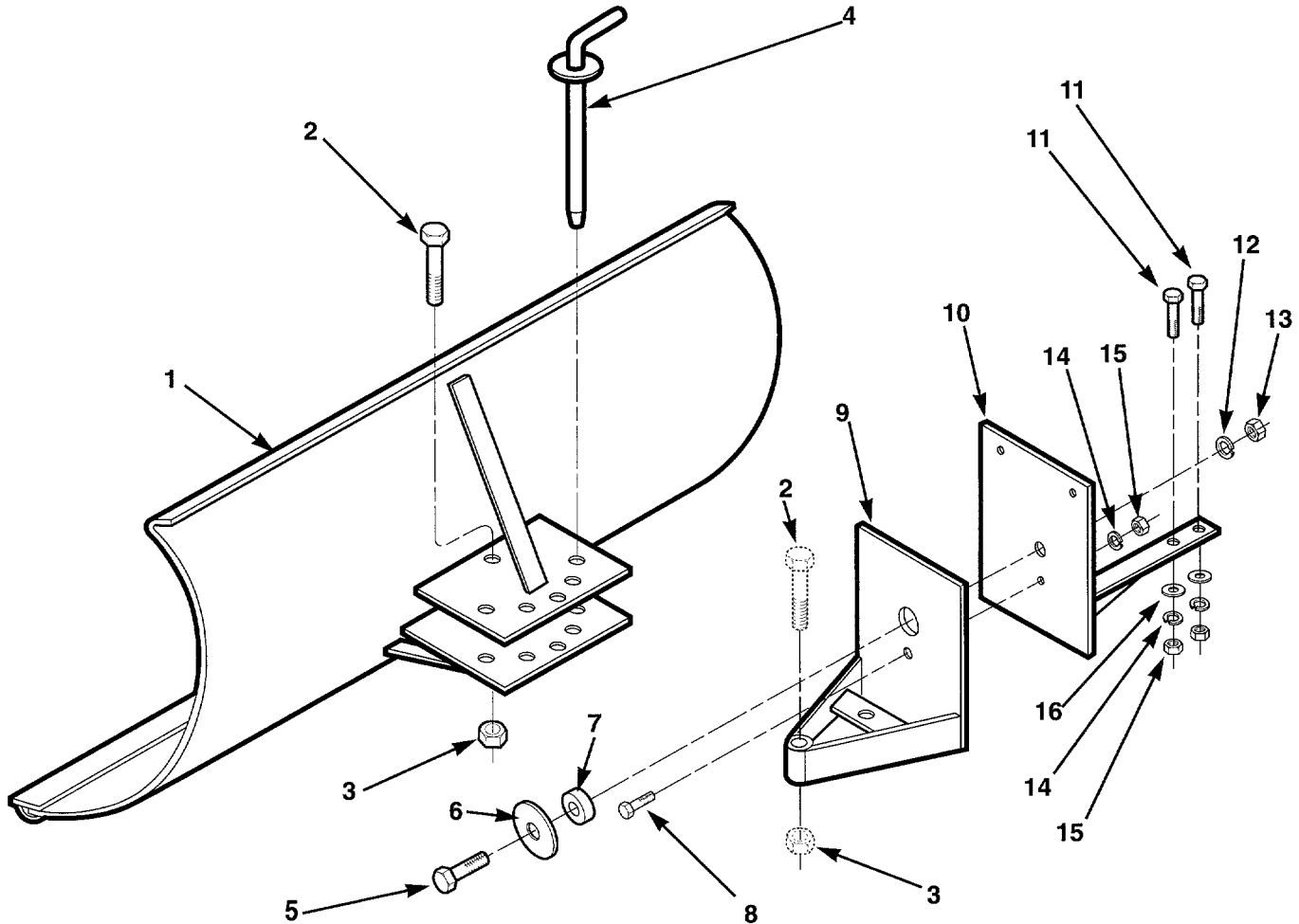
REF No.	PART No.	DESCRIPTION	QTY.
CUSTOM TILLING TINES			
Special hard-faced, high-chrome carbon alloy tines that are thicker than standard Bolo Tines. These tines better resist the abrasive action of rocky, gritty or sandy soil as compared to standard Bolo Tines, and are especially suited for custom tilling or market gardening.			
---	10802	Custom Tilling Tine Kit—(Incl. eight each of Part #2475-1 and #2475-2 tines and sixteen each of Ref. No.'s 8 and 10.....	1
---	2475-1	Bolo Tine, Custom Tilling—single, left hand.....	8
---	2475-2	Bolo Tine, Custom Tilling—single, right hand.....	8

ELECTRIC START SYSTEM – 7HP & 8HP TILLERS (Figure 9)



REF No.	PART No.	DESCRIPTION	QTY.	REF No.	PART No.	DESCRIPTION	QTY.
1	96515	Cable–battery, positive and negative terminals	2	22	----	This Ref. No. not used	
2	97020	Boot–terminal insulating	3	23	9265	Tie–plastic, wire retaining	1
3	9552	Screw–self-threading, 1/4-20 x 1/2"	3	24	9009	Vent Tube–5/16" diameter	1
4	1186309	Bolt–hex hd., 1/4-20 x 5/8"	2	25	1475	Shield–vent tube, 1/2" diameter ...	1
5	1554	Wire–recharge (red) for Briggs and Stratton engine (incl. terminal and eyelet)	1	26	9224	Clamp–vent tube shield	1
6	1904564	Battery Hold-down Clamp–with attached Key Switch Plate (incl. Ref. No. 7)	1	27	9202	Tie–plastic	2
7	1904548	Decal–ignition switch instruc.....	1	28	1908118	Wire Harness & Connecting Terminal Assy–for Briggs & Stratton engines(available as complete assembly only). Incl. wire assy., w/connector to large solenoid stud (red wire); wire assy. w/connector to small solenoid stud (red wire); wire assy. w/connector to solenoid grounding screw (red wire); wire assy w/connector to engine ground shut-off (green wire); plastic protector tube; wire harness; connector; wire terminal	1
8	1908112	Key Switch–includes two ignition keys (Ref. No. 9), one lockwasher, and one mounting nut (lock-washer and nut not available separately).....	1	29	1908117	Wire Harness–for Kohler engine. Incl. two receptacles; three red wires (solenoid activate, battery recharge, and starter switch); two green (ground)(shutoff) wires; plastic harness tube.....	1
9	96520	Key–ignition, one pair	1	30	1186389	Locknut–hex, 1/4"-20	2
10	9566	Bolt–carriage, 1/4-20 x 1-1/4"	2	31	20421	Wire–ground	1
11	1100241	Lockwasher–spring lock, 1/4".....	2	32	1901202	Cable–ground, solenoid to engine block	1
12	1186229	Nut–hex, 1/4"-20	4	33	1186331	Bolt–flange lock, 5/16-18 x 1".....	1
13	9092B	Battery–12 volt, 30 amps., side-vented. (incl. Ref. No. 24)	1	34	1186391	Nut–flange lock, 5/16"-18	1
14	96514	Solenoid–starter, includes nuts and washers for cables and wires...	1				
15	1100242	Lockwasher–5/16"	2				
16	1186211	Nut–hex, 5/16"-24	2				
17	1187559	Lockwasher–external tooth, #10..	1				
18	1186208	Nut–hex, #10-32,.....	1				
19	96510	Cable–solenoid to starter motor ..	1				
20	2571	Battery Bracket	1				
21	1186349	Bolt–flanged hex hd., 3/8-16 x 1-1/2"	2				

12584 DOZER/SNOW BLADE ATTACHMENT
(Figure 10)

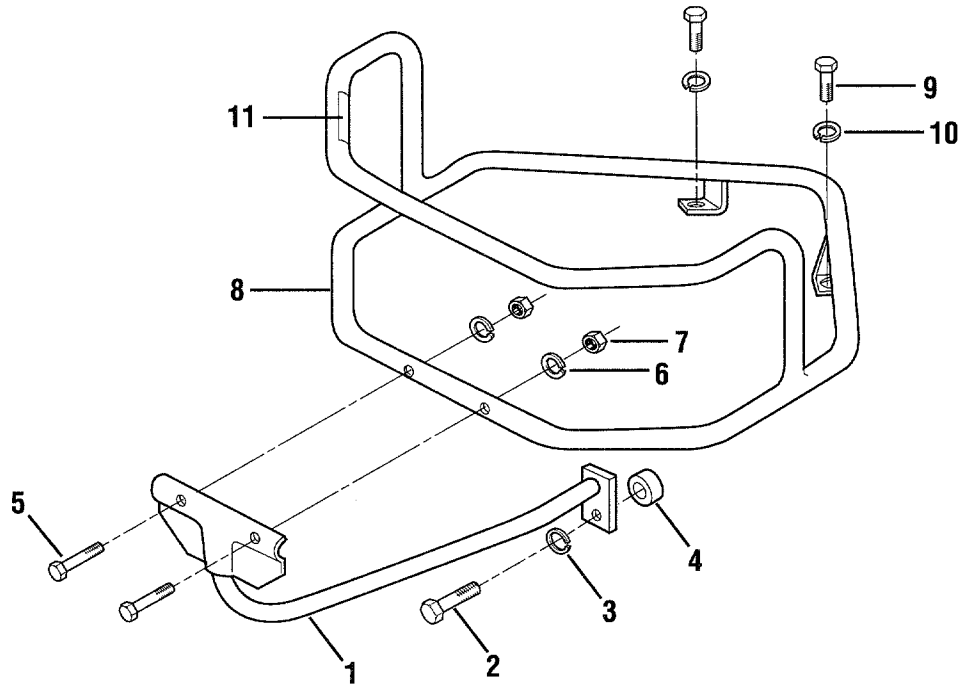


NOTE: The Bumper Attachment (see Page 19) must be purchased and mounted on the tiller before the Dozer/Snow Blade Attachment can be used.

REF No.	PART No.	DESCRIPTION	QTY.
---	12584	Dozer/Snow Blade Kit- (incl. Ref. No.'s 1 through 16)	1
1	1900780001	Blade - dozer/snow blade	1
2	1100057	Bolt - hex hd., 1/2-13 x 3"	1
3	1110110	Locknut - hex, 1/2"-13	1
4	1900781001	Pin - index, blade angle adjust....	1
5	1100064	Bolt - hex hd., 1/2-13 x 1-1/2"	1
6	9905	Washer - plain, 1/2"	1
7	1416	Bushing	1
8	1100808	Bolt - hex hd., 5/16-18 x 1-1/4" ...	1

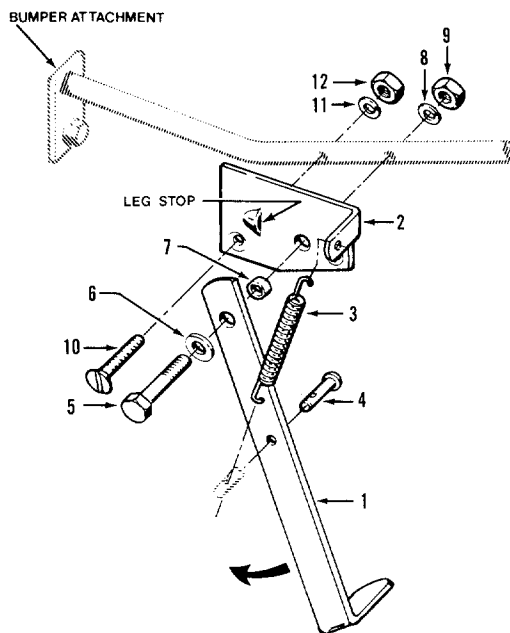
REF No.	PART No.	DESCRIPTION	QTY.
9	1909773001	Bracket - swivel ("A" frame).....	1
10	1909774001	Bracket - dozer mounting	1
11	1100779	Bolt - hex hd., 5/16-18 x 1-3/4" ...	2
12	1100245	Lockwasher - spring lock, 1/2"	1
13	1186233	Nut - hex, 1/2"-13	1
14	1100242	Lockwasher - spring lock 5/16" ...	3
15	1186230	Nut - hex, 5/16" x 18.....	3
16	9902	Washer - plain, 5/16", S.A.E.....	2

BUMPER ATTACHMENT
(Figure 11)

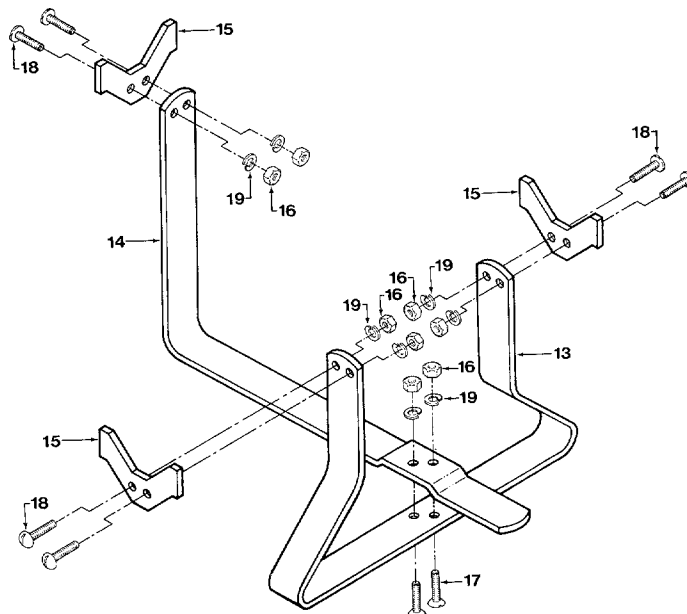


REF No.	PART No.	DESCRIPTION	QTY.	REF No.	PART No.	DESCRIPTION	QTY.
---	12588	Bumper Attachment. Includes Ref. Nos. 1 through 11)	1	6	1100242	Lockwasher - spring lock, 5/16" ..	2
1	1910730001	Brace - bumper bottom	1	7	1186230	Nut - hex, 5/16"-18	2
2	1909765	Bolt - hex hd., 1/2-13 x 1-1/2"	1	8	1910731001	Bumper wraparound	1
3	1100245	Lockwasher - spring lock, 1/2"	1	9	1100046	Bolt - hex hd., 3/8-16 x 1"	2
4	1909748	Spacer, 1/2"	1	10	1100243	Lockwasher - spring lock, 3/8"	2
5	1100799	Bolt - hex hd., 5/16-18 x 1-1/2" ...	2	11	1448	Decal - for bumper	1

**KICKSTAND ATTACHMENT
(Figure 12)**



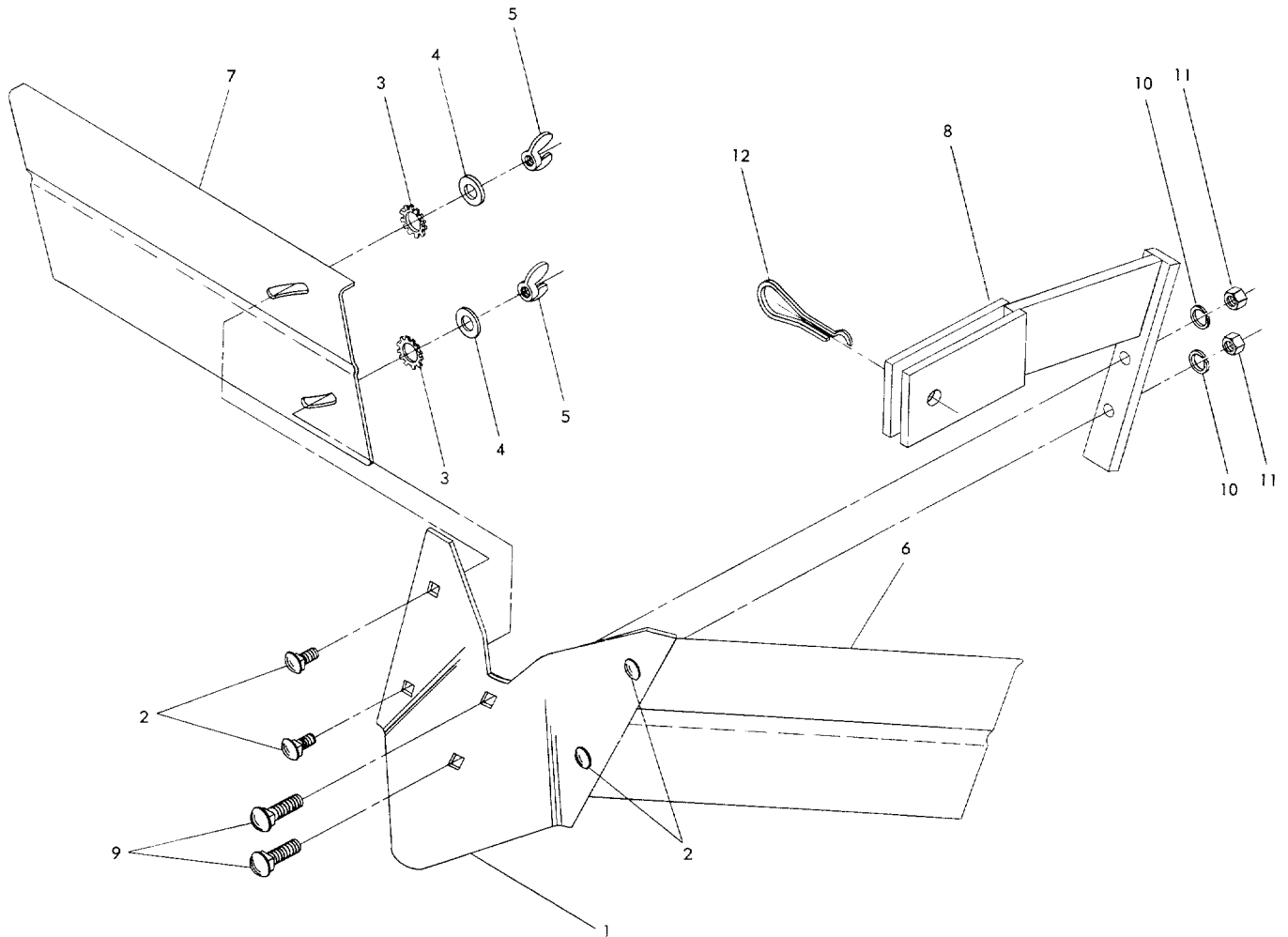
**TINE ATTACHMENT CRADLE
(Figure 13)**



REF No.	PART No.	DESCRIPTION	QTY.
KICKSTAND ATTACHMENT			
----	12580	Kickstand—complete (incl. Ref. No.'s 1 through 12). Kickstand attaches to lower brace of bumper attachment (1932)	1
1	1904520001	Leg—kickstand	1
2	1904521001	Plate—kickstand mounting	1
3	1492	Spring—kickstand.....	1
4	9336	Pin—clevis	1
5	1111606	Bolt—hex hd., 5/16-18 x 2", Grade 5	1
6	9902	Washer—flat, 5/16", S.A.E.....	1
7	9473	Bushing—.438"lg. (.313" O.D., .275" I.D.).....	1
8	1100242	Lockwasher—spring lock, 5/16"....	1
9	1186230	Nut—hex, 5/16"-18	1
10	9567	Screw—flat hd., 1/4"-20 x 1-1/2"...	1
11	1100241	Lockwasher—spring lock, 1/4".....	1
12	1186229	Nut—hex, 1/4"-20	1

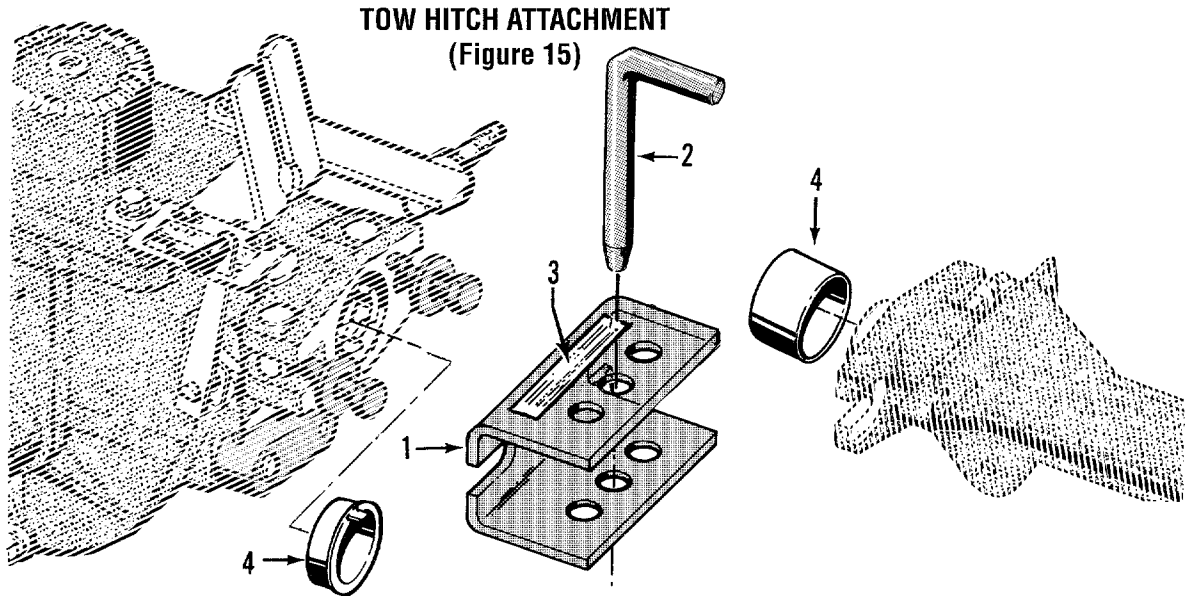
REF No.	PART No.	DESCRIPTION	QTY.
TINE ATTACHMENT CRADLE			
---	12583	Tine Attachment Cradle—complete (incl. Ref. No.'s 13 - 19). For storing the tine attachment when removed from power unit. Also assists in removal and replacement of tine attachment	1
13	1900894001	Rear Cradle Support	1
14	1900893001	Front Cradle Support	1
15	1900895001	Tine Cradle Plate.....	3
16	1186229	Nut—hex, 1/4"-20	8
17	9580	Screw—hex hd., 1/4-20 x 3/4"	2
18	90070	Screw—round-head, 1/4-20 x 3/4" ..	6
19	1100241	Lockwasher—spring lock, 1/4".....	8

HILLER/FURROWER ATTACHMENT(Figure 14)



REF No.	PART No.	DESCRIPTION	QTY.
---	12578	Hiller/Furrower-complete (incl. Ref. No.'s 1 through 12). Owner must bolt blade to mounting bracket and wings to blade. Instructions included	1
1	1900771001	Furrower-blade only	1
2	9765	Carriage Bolt-5/16-18 x 3/4"	4
3	1177548	Star Washer-ext. tooth, 5/16"	4
4	9902	Washer-plain, 5/16" S.A.E.	4
5	9824	Wing Nut-5/16"-18	4

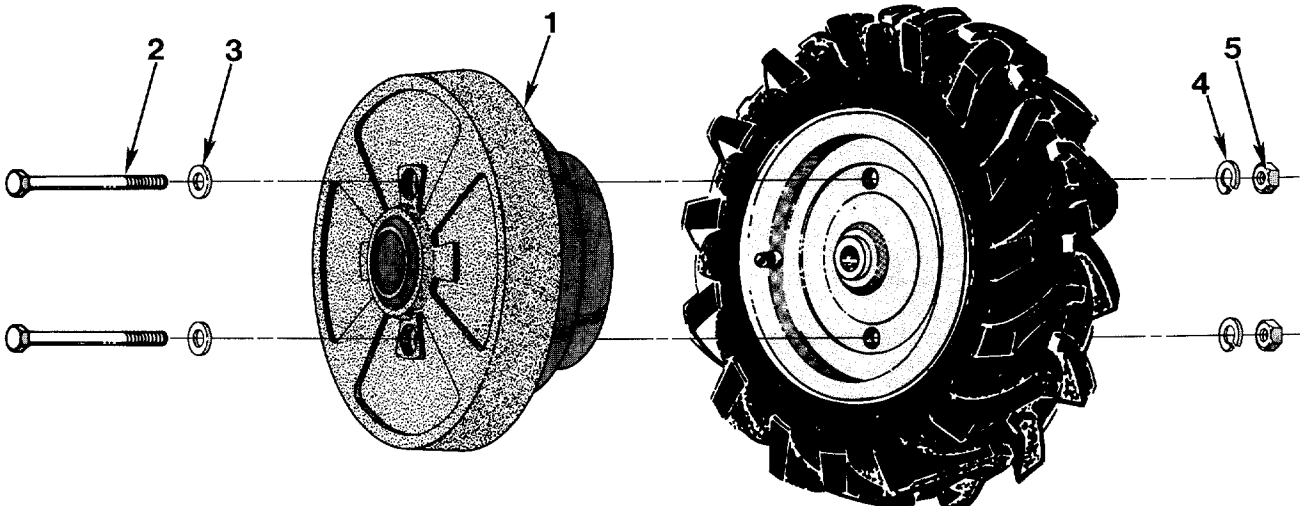
REF No.	PART No.	DESCRIPTION	QTY.
6	1900777001	Hiller Wing-left	1
7	1900778001	Hiller Wing-right	1
8	1900772001	Bracket-blade mounting	1
9	9725	Carriage Bolt-blade mounting, 3/8-16 x 1-1/2"	2
10	1100243	Lockwasher-spring lock, 3/8" plated	2
11	1186231	Nut-hex, 3/8"-16, plated	2
12	9318	Pin-clinch	1

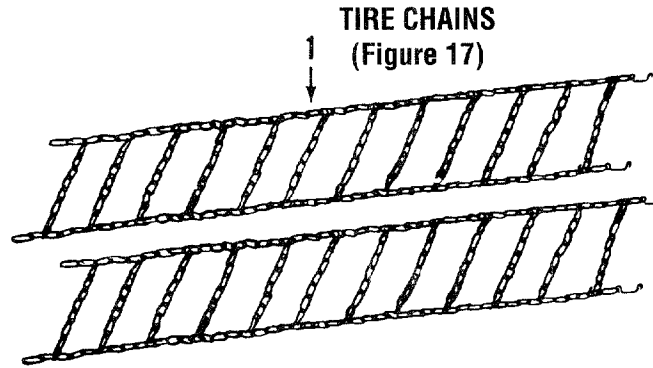


REF No.	PART No.	DESCRIPTION	QTY.
TOW HITCH ATTACHMENT (Figure 15)			
----	12577	Tow Hitch Attachment—complete (incl. Ref. No.'s 1 through 4)....	1
1	1900779001	Hitch—mounting plate (incl. Ref. No. 3).....	1
2	9363	Pin—hitch	1
3	2288	Decal—warning instructions	1
4	2006	Dust Caps—2 protective covers	1

REF No.	PART No.	DESCRIPTION	QTY.
WHEEL WEIGHTS (Figure 16)			
1	2382	Shell—wheel weight.....	2
2	1186411	Screw—hex hd., 3/8-16 x 6"	4
3	9904	Washer—flat, 3/8"	4
4	1100243	Lockwasher—spring, 3/8"	4
5	1186231	Nut—hex, 3/8"-16	4
----	10185	Wheel Weight Kit—complete, incl. Ref. No. 1 through 5). Instructions included	1

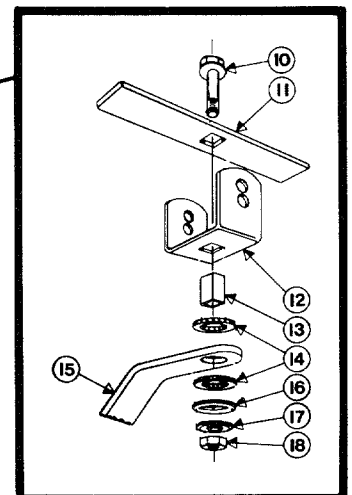
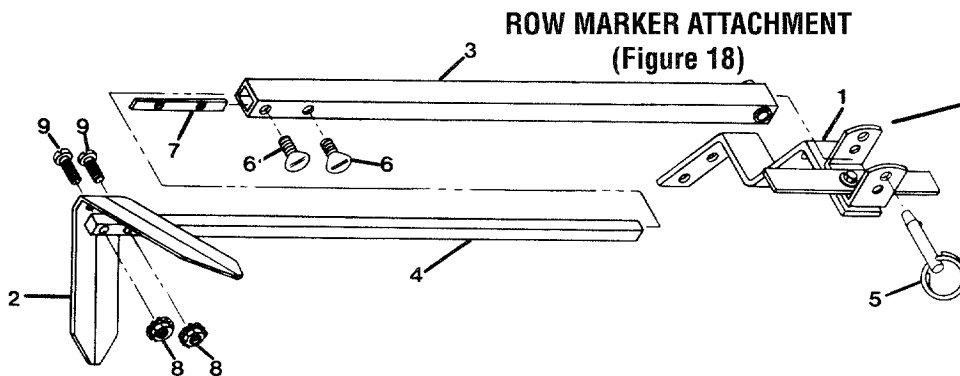
**WHEEL WEIGHTS
(Figure 16)**





REF No.	PART No.	DESCRIPTION	QTY.
TIRE CHAINS (Figure 17)			
---	9146	Chains-tire, heavy-duty steel. For standard. tread or bar tread tires. Two chains in a set.....	1
ROW MARKER ATTACHMENT Part #12589 (Figure 18) (Complete - attaches to #12578 Furrower Attachment)			
1	1904522001	Main Support & Yoke Assy—complete (incl. Ref. No. 10 through 18).....	1
2	1594	Marker blade—blade only	1
3	1904524001	Marker arm—main arm.....	1
4	1904523001	Marker arm—extension arm with stop pin.....	1
5	9347	Hitch Pin—incl. in #1837 hardware package.....	1
6	9786	Thumbscrew—1/4-20 x 1/2", incl. in #1837 hardware package.....	2
7	1596	Nut Bar—incl. in #1837 hardware package.....	1
8	9828	Nut—hex, #10-24 with star washers (incl. in hardware pkg. #1837).	2

REF No.	PART No.	DESCRIPTION	QTY.
9	1100135	Screw—round hd., #10-24 x 1 (incl. in hardware. pkg. #1837).....	2
---	1837	Hardware Pkg—incl. one each Ref. No. , and No. 7, and two each Ref. No.'s 6, 8 and 9.....	1
---	1850	Row Marker & Hiller/Furrower Attachment Combination—complete Incl. #2638 Hiller/Furrower & #1832 Row Marker	1
ROW MARKER MAIN SUPPORT & YOKE ASSEMBLY (Part #1569)			
10	90047	Bolt—flanged, self-locking, 3/8-16 x 1-1/2".....	1
11	1593	Stop Bar	1
12	1592	Yoke	1
13	1591	Tube Key—square	1
14	1590	Washer—friction	1
15	1588	Main Support.....	1
16	1589	Washer—square hole.....	1
17	9925	Washer—disc spring.....	1
18	1186231	Nut—hex, 3/8"-16	1



**Main Support/Yoke Assembly
Part 1904522001**

Parts Ordering Information

If you need service or parts:

For service assistance or parts, contact your local authorized dealer or the factory.

Your local dealer or service department will need to know the model/serial numbers of the unit to provide the most efficient service. See below for information on how to identify and record the identification numbers for the unit.

If you need engine service or parts:

For engine service or parts, contact your local authorized engine dealer. Look in the yellow pages of the phone book under "Engines-Gasoline" for the name of your nearest authorized engine dealer. An authorized engine dealer can handle all parts, repairs, and warranty service concerning the engine.

Note:

All Troy-Bilt® replacement parts must conform to our rigid quality specifications. Although some replacement parts we provide may vary slightly in shape, color or texture from the original parts, any variations will not affect the fit or performance of these parts on your unit.



WARNING

We urge using only genuine replacement parts which meet all the latest requirements. Replacement parts manufactured by others could present safety hazards, even though they may fit on the unit!

IMPORTANT:

Left and right sides of the unit are determined by standing behind the unit, in the operator's position, and facing in the direction of forward travel.

NOTICE:

We reserve the right to change specifications, add improvements or discontinue the manufacture of any of our equipment without notice or obligation to purchasers of our equipment.

Identification Numbers

Record the Model/Serial Numbers here:

When ordering parts from us or your local servicing dealer, you will need to provide the unit's model/serial number. For your convenience and ready reference, record this information below.

Product Model/Serial Number _____

Engine Model / Serial Spec. Numbers _____

Date of Purchase _____

Name of Dealer _____

For customer assistance, contact your nearest authorized dealer or:

GARDEN WAY INCORPORATED • 1 Garden Way • Troy, New York 12180

Customer Service: 1-800-437-8686 • Technical Service: 1-800-520-5520 • Parts Service: 1-800-648-6776 • FAX: (518) 391-7332

Outside the United States and Canada

Customer Service: (518) 391-7007 • Technical Service: (518) 391-7008 • Parts Service: (518) 391-7006 • FAX (518) 391-7332

Free Manuals Download Website

<http://myh66.com>

<http://usermanuals.us>

<http://www.somanuals.com>

<http://www.4manuals.cc>

<http://www.manual-lib.com>

<http://www.404manual.com>

<http://www.luxmanual.com>

<http://aubethermostatmanual.com>

Golf course search by state

<http://golfingnear.com>

Email search by domain

<http://emailbydomain.com>

Auto manuals search

<http://auto.somanuals.com>

TV manuals search

<http://tv.somanuals.com>