



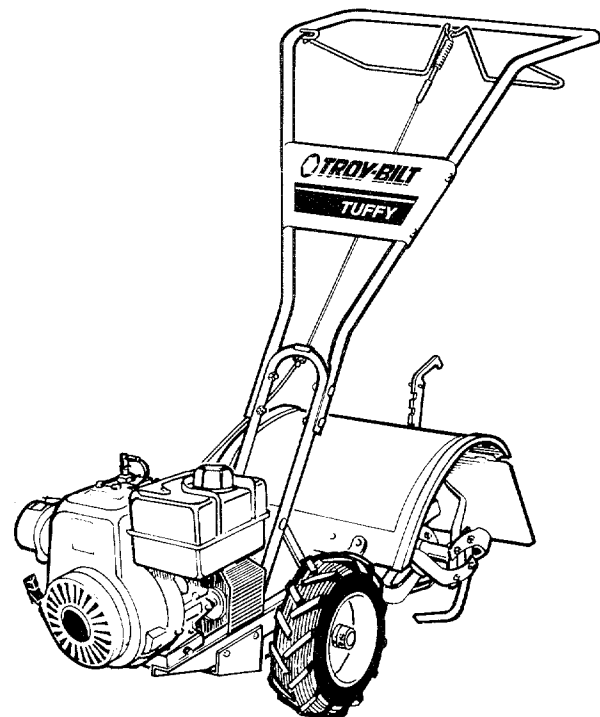
Parts Catalog

TUFFY® Tiller

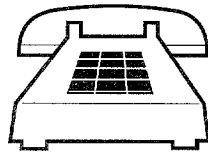
Models

12060

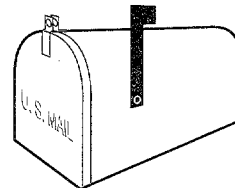
12077



GARDEN WAY INCORPORATED



**HOW TO
 REACH
 US**



Address	Hours	Toll-Free Telephone Numbers
<p>In the U.S.A:</p> <p>GARDEN WAY INCORPORATED 102nd Street & 9th Avenue Troy, New York 12180</p>	<p>Mon.-Fri.: 8 a.m. to 7:00 p.m. Sat. 9 a.m. to 4 p.m.</p>	<p>For Parts Sales: 1-800-648-6776 For Technical Service: 1-800-520-5520</p>
<p>In Canada:</p> <p>GARDEN WAY INCORPORATED 320 Van Sickle Rd., Unit 12 St. Catharines, Ontario L2R 6P7</p>	<p>Mon.-Fri.: 8 a.m. to 5:00 p.m.</p>	<p>For Parts Sales or Technical Service: 1-800-225-3585</p>



CAUTION

We urge that you use only genuine TROY-BILT replacement parts, which meet all of the latest requirements. Replacement parts manufactured by others could present safety hazards even though they may fit on this product.

PARTS ORDERING INFORMATION

Parts for your machine may be ordered from your local servicing dealer or from the factory. Please remember that your local dealer or the factory parts department will need to know the identification numbers of your machine to give you the most efficient service. Please see below for how to identify and record the identification numbers for your machine.

When ordering parts, please be sure to provide the following information:

1. The SERIAL NUMBER of your machine.
2. The PART NUMBER of the part.
3. The PART DESCRIPTION.
4. The QUANTITY needed.

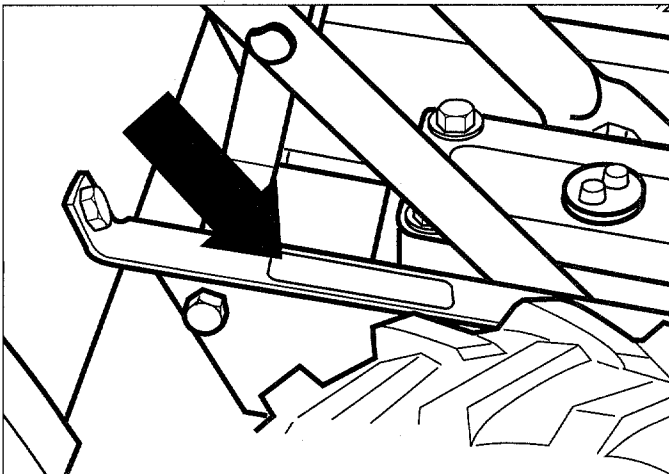
If you need engine service or parts:

For engine service or parts, please contact your local authorized engine dealer. Look in the Yellow Pages of your phone book under "Engines-Gasoline" for the name of your nearest authorized engine dealer. An authorized dealer can handle all parts, repairs, and warranty service concerning the engine. NOTE: Some parts on your engine are exclusive to this machine and may not be available from the engine dealer. Refer to the engine drawings in this Parts Catalog to identify and order these exclusive parts.

IDENTIFICATION NUMBERS

Please write the Serial Number of your machine in the space provided below. You can find the location of the serial number decal by referring to the arrow in the illustration below.

Serial Number: _____

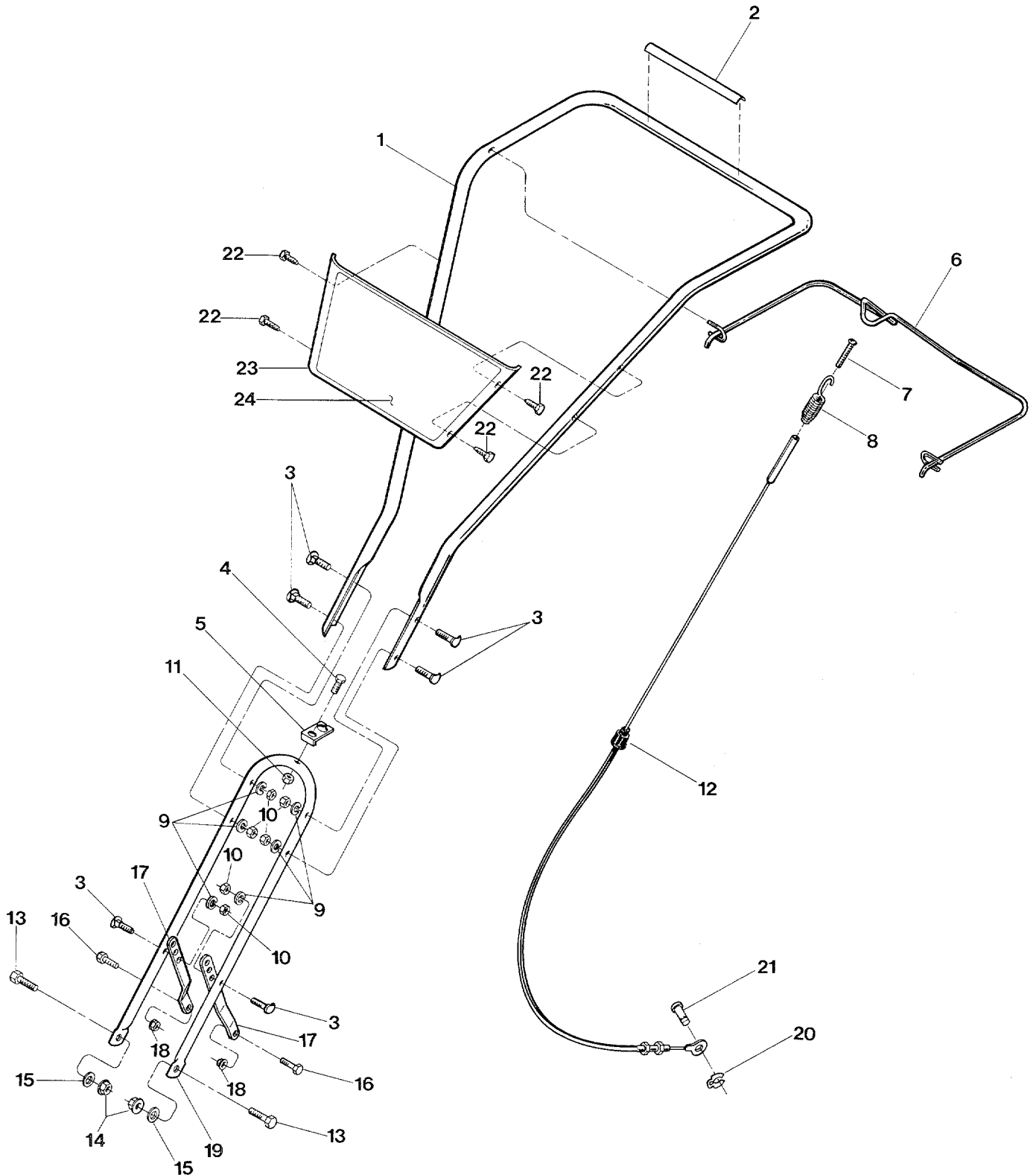


All references to left, right, front and rear of the machine are determined by standing in the operator's position and facing the direction of forward travel.

IMPORTANT:

Some replacement parts that you receive may vary slightly in shape, color, or texture from the original parts. This is because certain parts are supplied to us by more than one manufacturer. Please be assured, however, that all parts must conform to our rigid quality specifications, and any slight variations will not affect the fit or performance of these parts.

HANDLEBARS, FORWARD CLUTCH CABLE, AND HANDLEBAR MOUNTING HARDWARE

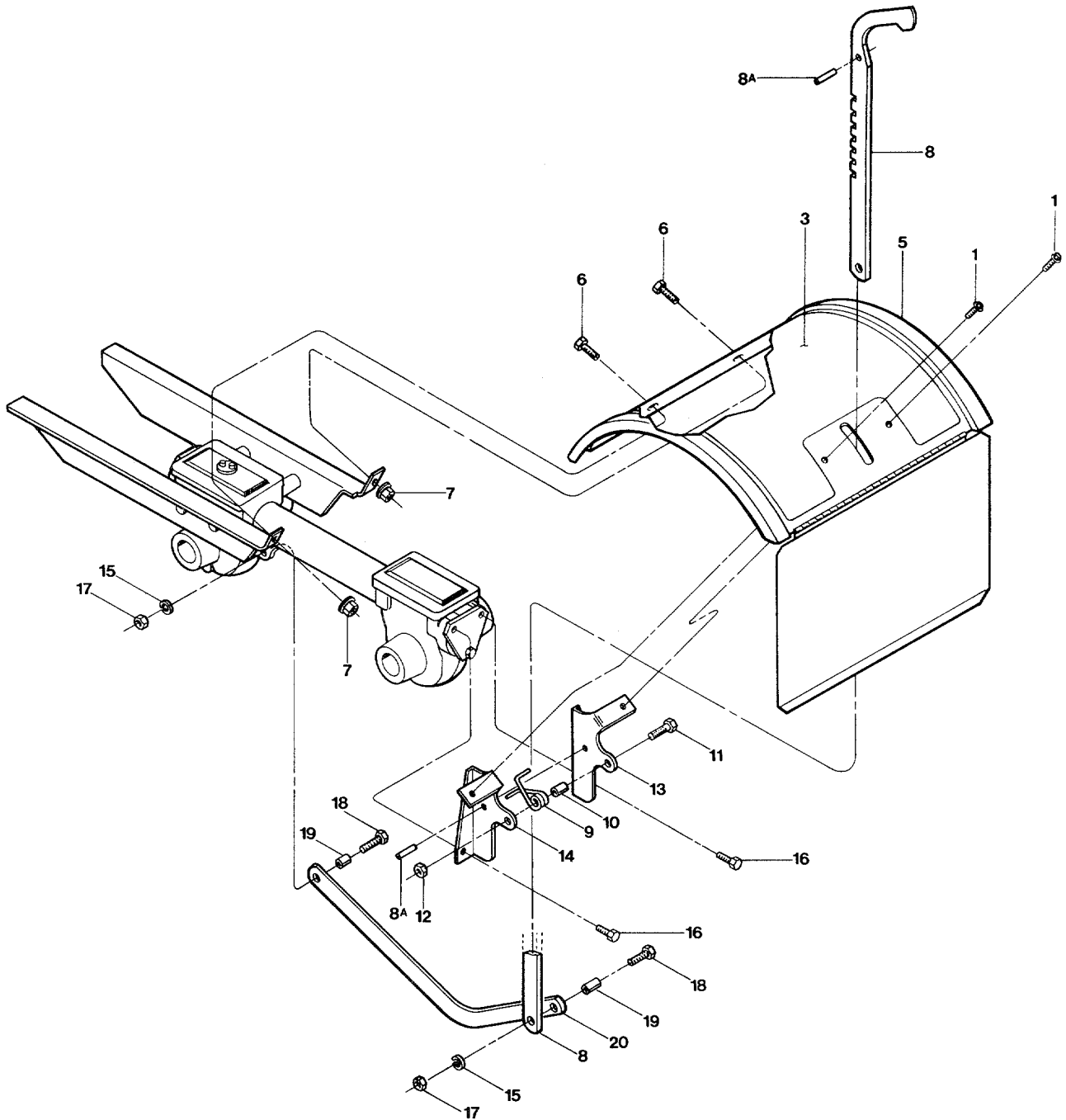


HANDLEBARS, FORWARD CLUTCH CABLE, AND HANDLEBAR MOUNTING HARDWARE

REF No.	PART No.	DESCRIPTION	QTY.
1	55104	Handlebar, Upper –(incl. Decal 1900765)	1
2	1900765	Decal–Forward Clutch Bail	1
3	9854	Bolt–Curved Hd., 5/16-18x1-1/2"...	6
4	9702	Bolt–Hex Hd., 1/4-20x1-1/4"	1
5	55044	Bracket, Cable.....	1
6	55046	Bail–Forward Clutch	1
7	9855	Screw, 10-24 x 2"	1
8	55047	Spring–Forward Clutch.....	1
9	9912	Lockwasher–5/16"	6
10	9801	Nut–Hex Hd., 5/16-18.....	6
11	9811	Nut–Hex Hd., Lock, 1/4-20	1
12	55048	Cable Assy–Forward Clutch.....	1
13	9709	Bolt–Hex Hd., 3/8-16x3/4"	2

REF No.	PART No.	DESCRIPTION	QTY.
14	9837	Locknut–Hex Hd., 3/8-16.....	2
15	9904	Washer–Flat, 3/8.....	2
16	9703	Bolt–Hex Hd., 5/16-18x3/4"	2
17	55081	Support, Handlebar	2
18	9808	Locknut–Hex Hd., 5/16-18.....	2
19	55082	Handlebar, Lower.....	1
20	9386	Klip Ring.....	1
21	9856	Clevis Pin.....	1
22	9552	Screw–1/4-20x1/2" Self-Tapping Hex Head.....	4
23	1901273010	Graphics Panel	1
24	55097	Decal–Troy-Bilt Tuffy (model name & logo).....	1

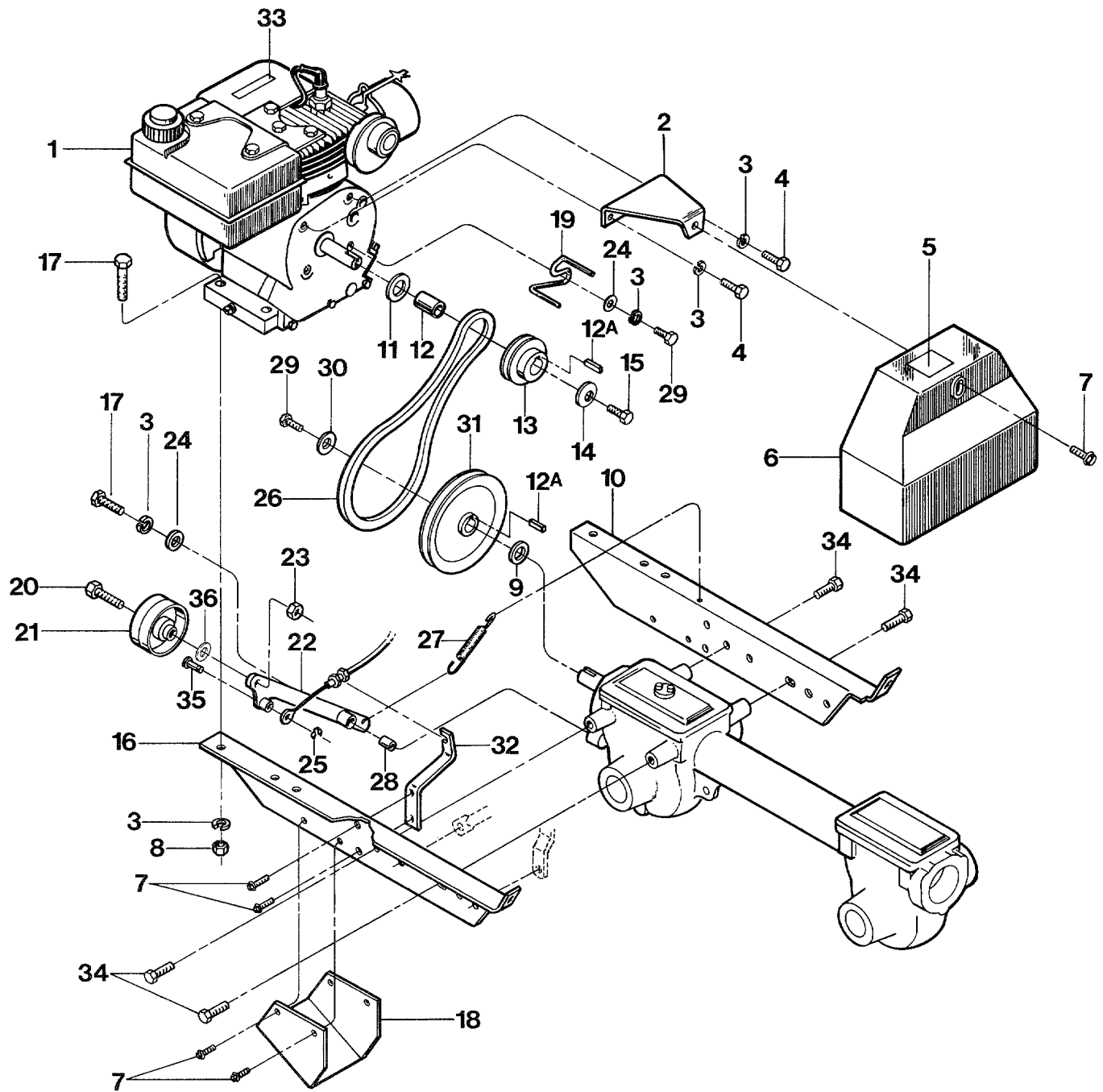
TINE HOOD, DEPTH REGULATOR, AND DRAG BAR



TINE HOOD, DEPTH REGULATOR, AND DRAG BAR

REF No.	PART No.	DESCRIPTION	QTY.	REF No.	PART No.	DESCRIPTION	QTY.
1	9552	Bolt-Flanged Hd., Self-Tapping, 1/4-20x1/2".....	2	9	9384	Spring-Depth Regulator	1
2	-----	(Ref No. 2 is not used)		10	9534	Spacer	1
3	55101	Decal-Hood (contains operating ... and safety instructions).....	1	11	9734	Bolt-Hex Hd., 1/4-20x1".....	1
4	-----	(Ref No. 4 is not used)		12	9811	Locknut-Hex Hd., 1/4-20.....	1
5	55076	Tine Hood-(includes tine flap..... and decal 55101).....	1	13	55072-2	Bracket-Hood, Right Hand.....	1
6	9550	Bolt-Hex Hd., 5/16-18x1/2".....	2	14	55072-1	Bracket-Hood, Left Hand	1
7	9848	Nut-Flange Lock, 5/16-18.....	2	15	9912	Lockwasher, 5/16".....	2
8	55074	Depth Regulator Lever	1	16	90045	Bolt-Flanged Hd., 5/16-18x1"	2
8A	9308	Spirol Pin	2	17	9801	Nut-Hex Hd., 5/16-18	2
				18	9574	Bolt-Hex Hd., 5/16-18x1-1/4"	2
				19	55088	Bushing-Drag Bar	2
				20	55073	Drag Bar.....	1

ENGINE, ENGINE BRACKETS, AND FORWARD DRIVE MECHANISM

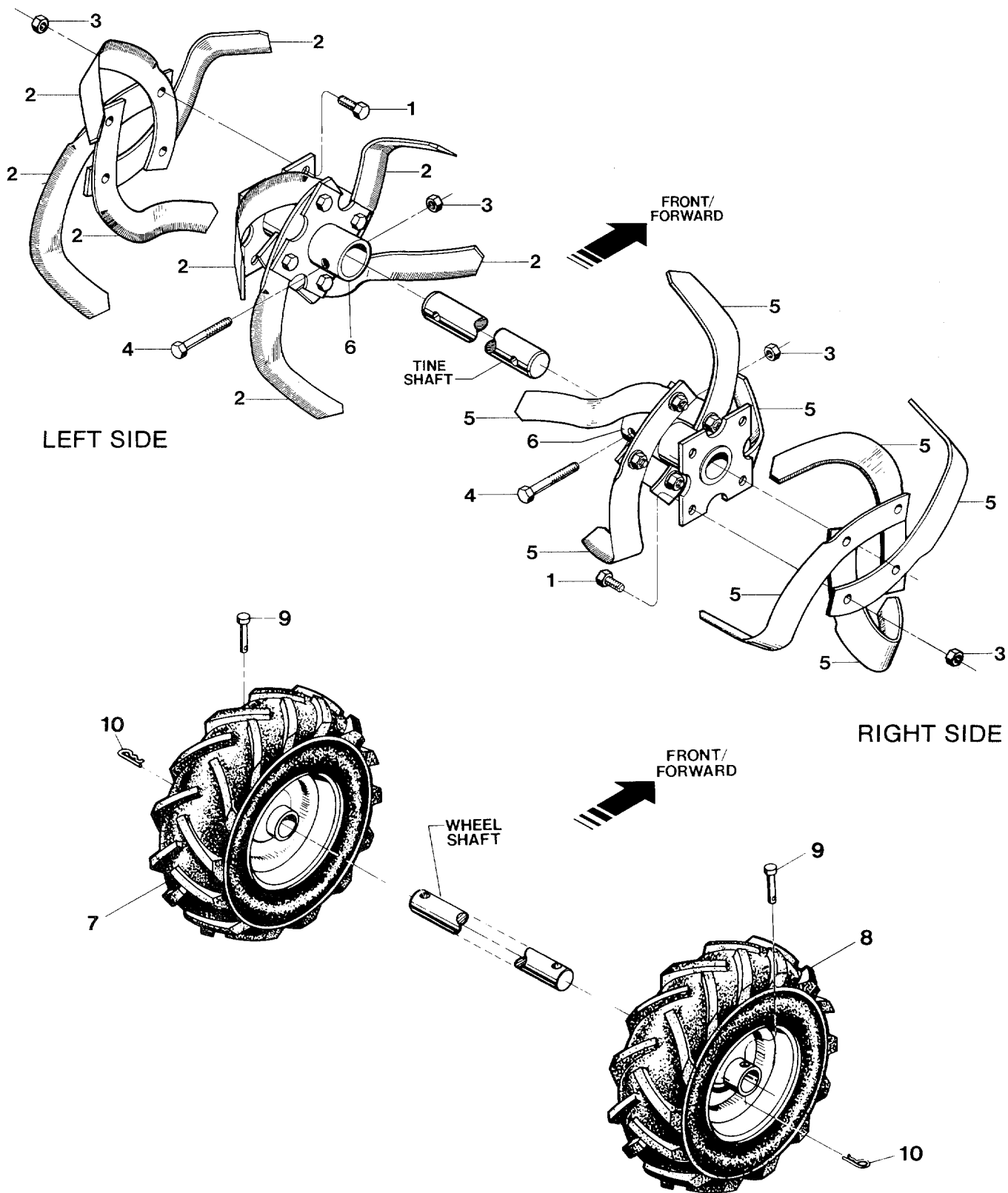


ENGINE, ENGINE BRACKETS, AND FORWARD DRIVE MECHANISM

REF No.	PART No.	DESCRIPTION	QTY.	REF No.	PART No.	DESCRIPTION	QTY.
1	1901261*	Engine— For Tiller Models 12060 and 12077 <i>only</i> . Tecumseh, recoil start, electronic solid state ignition, 3 Horsepower. Your engine is stamped with a Tecumseh Model Number for identification. Call Customer Service before placing your order.....	1	17	9758	Bolt—Hex Hd., 5/16-18x1-1/2"	5
2	55079	Bracket, Belt Cover.....	1	18	55080	Belt Pulley Guard	1
3	9912	Lockwasher—5/16".....	8	19	55039	Belt Guide	1
4	9563	Bolt—Hex Hd., 5/16-24x1/2".....	2	20	9558	Bolt—Hex Hd., 3/8-16x1-1/2"	1
5	55053	Decal—Warning, Hot Surfaces	1	21	9090	Idler Pulley.....	1
6	55086	Belt Cover—(includes decal 55053)	1	22	55078	Idler Lever.....	1
7	9552	Bolt—Flanged Hd., Self-Tapping, 1/4-20x1/2".....	7	23	9807	Locknut — 3/8-16"	1
8	9801	Nut—Hex Hd., 5/16-18".....	4	24	9902	Washer, Flat	2
9	50027	Support Washer	1	25	9386	Klip Ring	1
10	55077-2	Bracket, Engine, Right.....	1	26	55037	V-Belt	1
11	1138-2	Shim..... As Req'd		27	55034	Spring, Return	1
12	55036	Spacer.....	1	28	55033	Bushing—Idler Lever.....	1
12A	9301	Key—3/16" x 1"	2	29	9655	Bolt—Hex Hd., 5/16-24x3/4", Grade 5.....	2
13	55035	Pulley, Engine Driven	1	30	9944	Washer, Belleville, Transmission Pulley.....	1
14	9925	Washer, Belleville	1	31	55031	Pulley—Transmission	1
15	9549	Bolt—Hex Hd., 3/8-24x1".....	1	32	55084	Bracket—Cable Mount.....	1
16	55077-1	Bracket, Engine, Left	1	33	1900766	Decal—Stabilization	1
				34	90038	Bolt—5/16-18x5/8", Engine Bracket to Transmission	4
				35	9856	Clevis Pin—Control Cable.....	1
				36	9904	Washer—flat, 3/8"	1

*Contact us if you need assistance before ordering a replacement engine or engine parts.

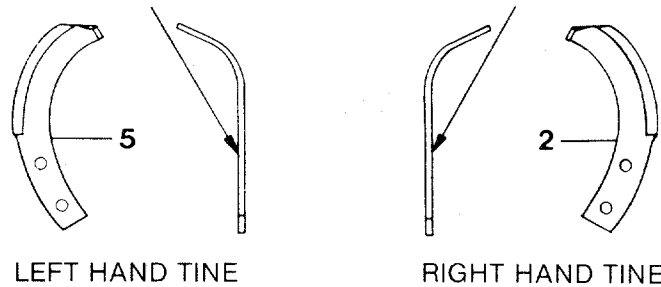
BOLO TINES, WHEELS



BOLO TINES, WHEELS

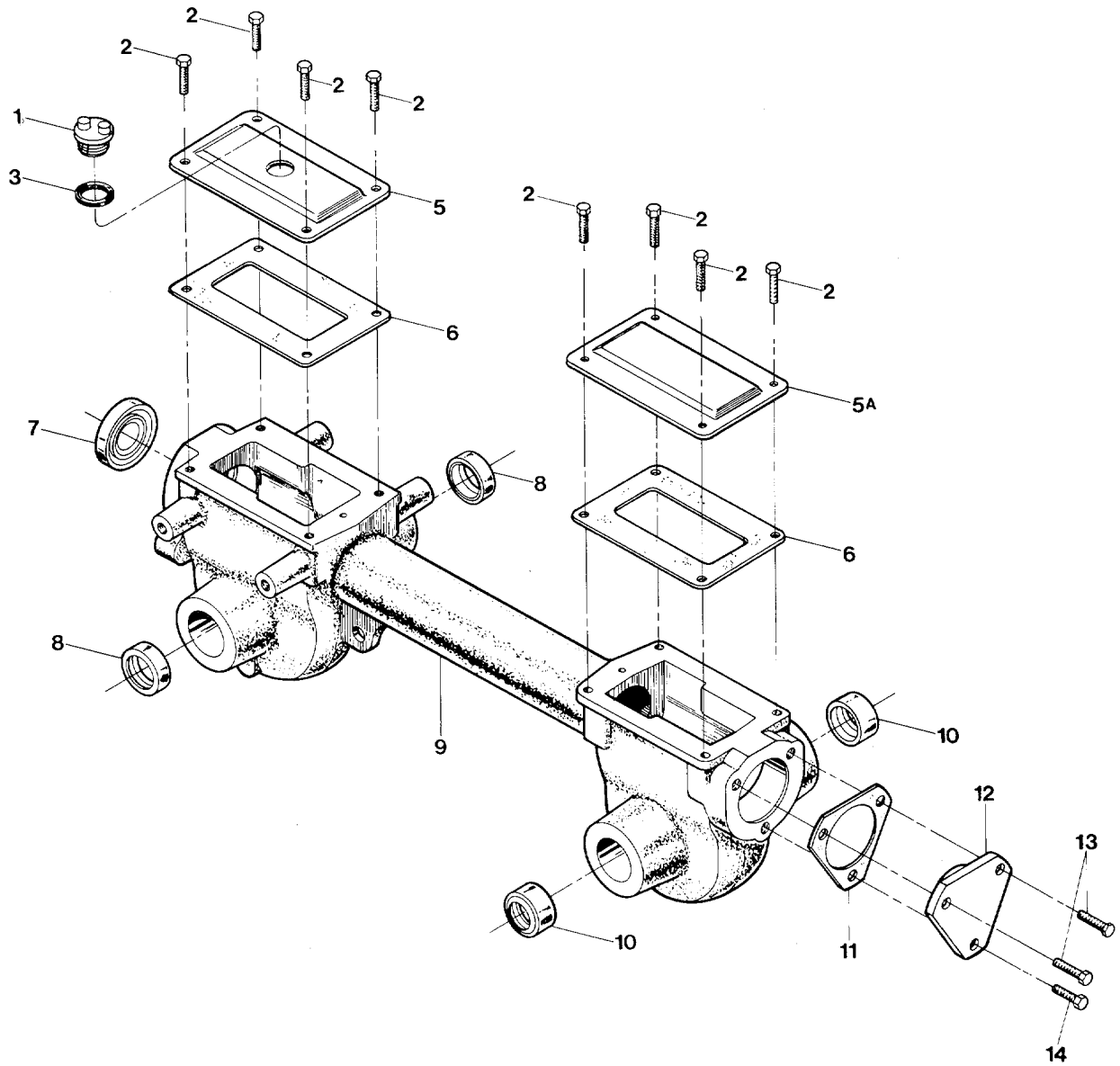
REF No.	PART No.	DESCRIPTION	QTY.	REF No.	PART No.	DESCRIPTION	QTY.
1	9711	Bolt-Hex Head, 3/8-16x1", Grade 5, Tine Mounting	16	5	50049-02	Bolo Tine-Single, Left Hand tine used on right side of tiller. Includes mounting hardware: two #9711 bolts (Ref No. 1), two #9913 lockwashers and two #9802 hex nuts (these last two items replace Ref No. 3)	8
2	50049-01	Bolo Tine-Single, Right Hand tine used on left side of tiller. Includes mounting hardware: two #9711 bolts (Ref No.1), two #9913 lockwashers and two #9802 hex nuts (these last two items replace Ref No. 3)	8	6	55019	Tine Holder-for bolo tines, left and right sides.....	2
3	9807	Locknut-Hex Hd., 3/8-16	18	7	55095-01	Wheel & Tire Assy-Left Side	1
4	9555	Bolt-Hex Hd., 3/8-16x1-3/4" (tine holder to tiller shaft)	2	8	55095-02	Wheel & Tire Assy-Right Side	1
----	1901	Replacement Set of 16 Bolo Tines-including eight right hand tines, eight left hand tines; and all required assembly hardware	1	9	9380	Clevis Pin-.312"x1-3/4", secures wheel hub to wheel shaft	2
				10	9338	Hair Pin Cotter	2

BLUNT END TOWARDS YOU



IMPORTANT: Left and right sides of tiller are determined by standing in the operator position and facing the direction of forward travel.

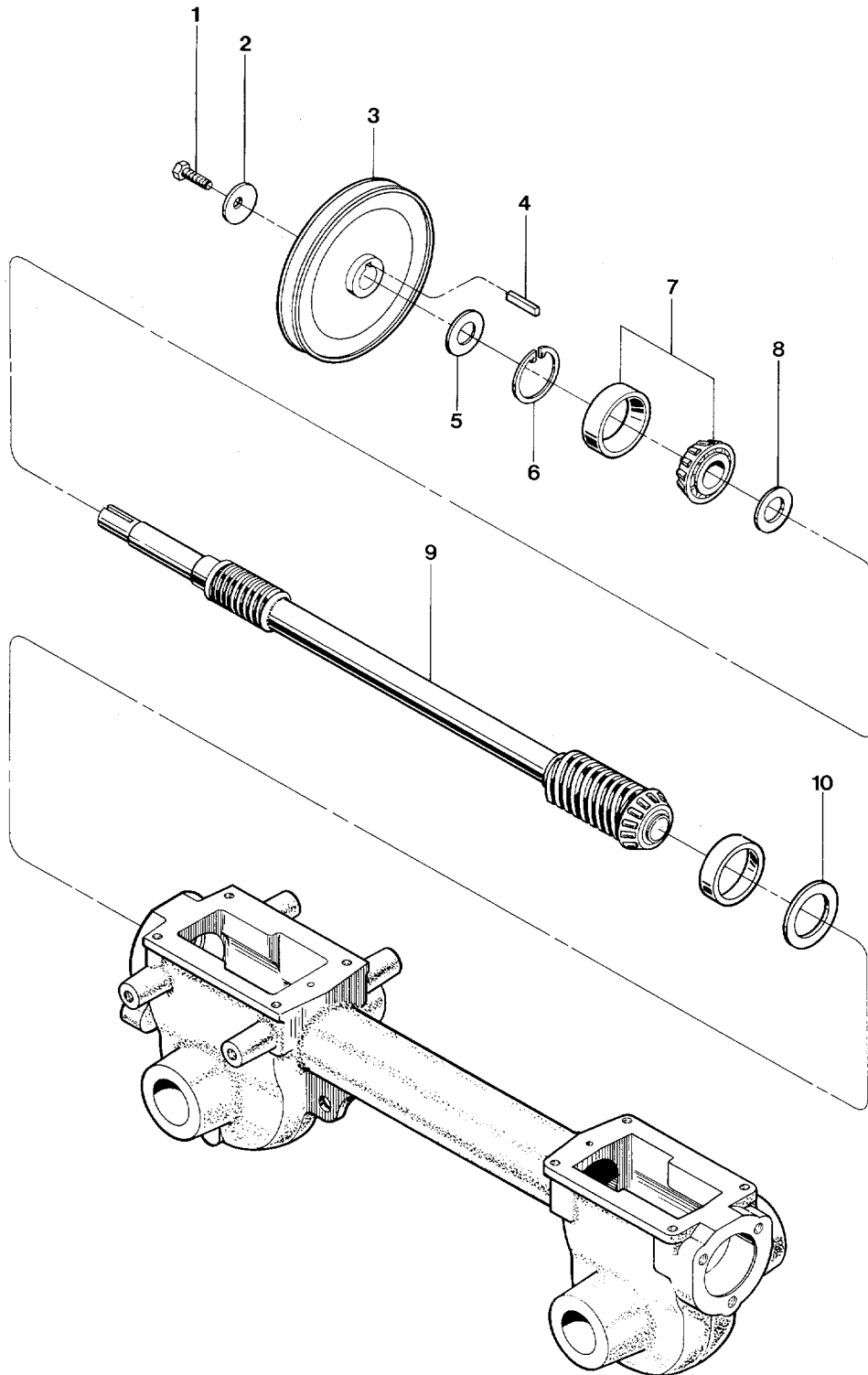
TRANSMISSION HOUSING, COVERS, SEALS, GASKETS, AND PLUG



TRANSMISSION HOUSING, COVERS, SEALS, GASKETS, AND PLUG

REF No.	PART No.	DESCRIPTION	QTY.	REF No.	PART No.	DESCRIPTION	QTY.
1	9467	Plug-Transmission Oil Fill/Check ..	1	7	9617	Oil Seal-Driveshaft.....	1
2	90038	Bolt-Hex Hd., Flange Lock, 5/16-18x5/8", GR5	8	8	9621	Oil Seal-Wheelshaft	2
3	97037	Gasket-Transmission Oil Fill/Check Plug	1	9	55000	Transmission Case, Rear Housing and Tube Assembly	1
5	55008	Cover-Transmission Housing Front.....	1	10	1909374	Oil Seal-Tine Shaft	2
5A	50074	Cover-Transmission Housing, Rear	1	11	55011-1	Gasket-Bearing Cap (.010" thick) .	1
6	50032	Gasket-Transmission Housing Cover (Front and Rear)	2		55011-2	Gasket-Bearing Cap (.030" thick)..	1
				12	55010	Cap-Rear Bearing	1
				13	90045	Bolt-Flanged Hd., 5/16-18x1"	2
				14	90044	Bolt-Flanged Hd., 5/16-18x3/4"	1

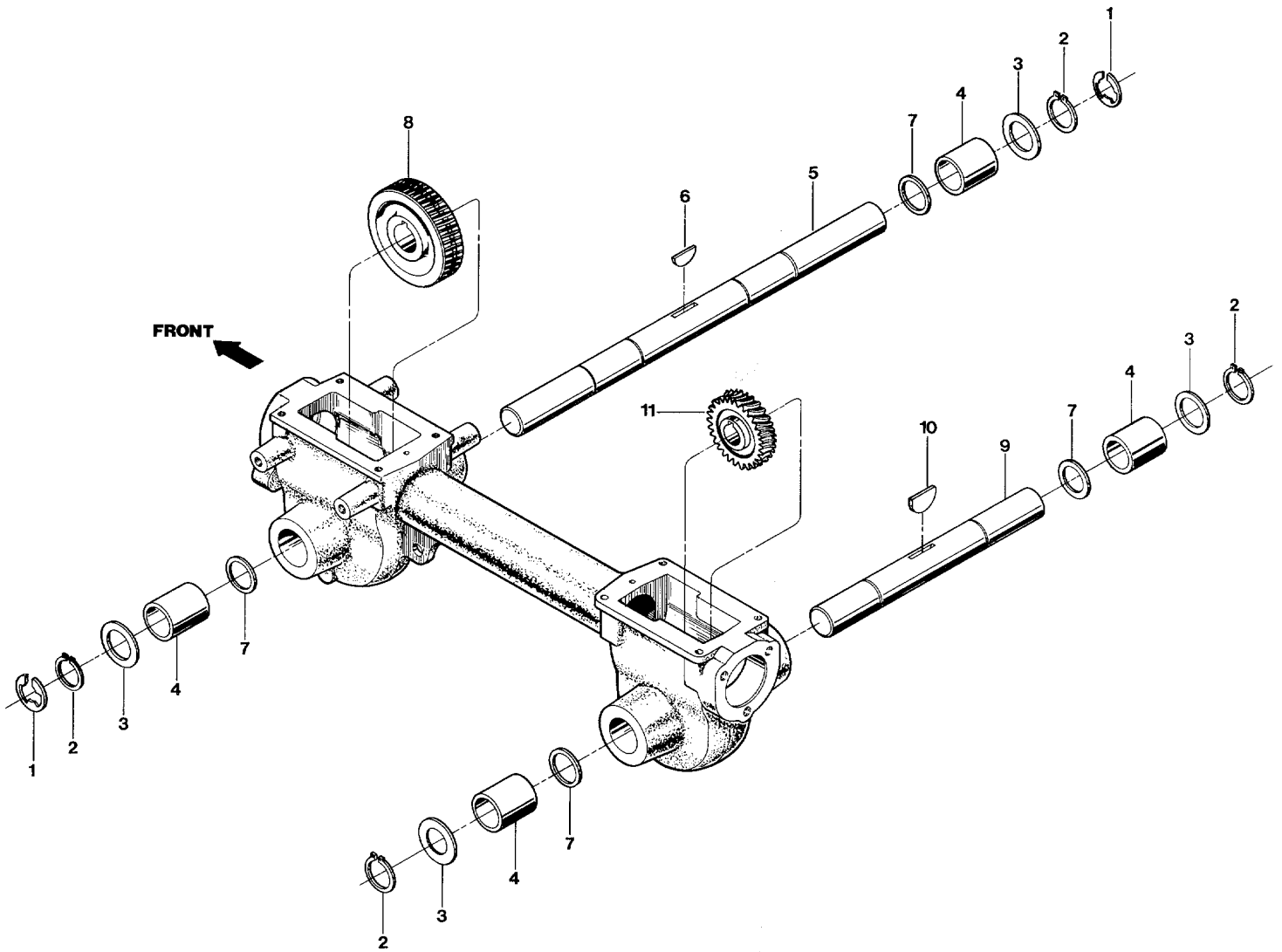
DRIVE SHAFT ASSEMBLY



DRIVE SHAFT ASSEMBLY

REF No.	PART No.	DESCRIPTION	QTY.	REF No.	PART No.	DESCRIPTION	QTY.
1	9655	Bolt-Hex Head, 5/16-24x3/4", Grade 5.....	1	10	1224-1	Shim-Rear Bearing Cap, .010" thick.....	As Req'd
2	9944	Washer-Belleville.....	1		1224-2	Shim-Same as above except .030" thick.....	As Req'd
3	55031	Pulley-Transmission.....	1		1224-3	Shim-Same as above except .005" thick.....	As Req'd
4	9301	Key-Transmission Pulley, 3/16x1".	1		1224-4	Shim-Same as above except .062" thick.....	As Req'd
5	50027	Support Washer-Front.....	1	---	1325C	Shim Set-Includes the following shims: two #1224-1, two #1224-2, one #1224-3, and one #1224-4..	As Req'd
6	9517	Snap Ring.....	1				
7	1714	Bearing-Tapered Roller with race..	2				
8	50043	Support Washer-Rear.....	1				
9	55001	DriveShaft Assembly.....	1				

WHEEL SHAFT & TILLER SHAFT ASSEMBLIES



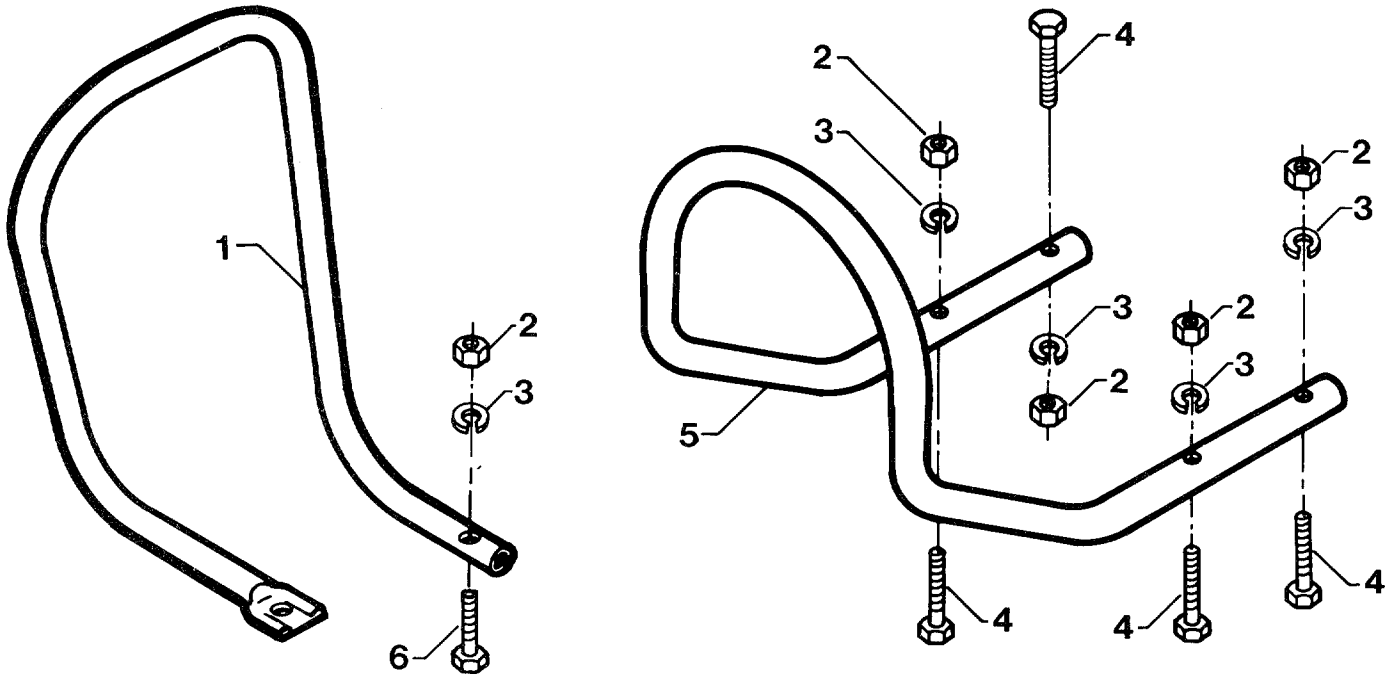
WHEEL SHAFT & TILLER SHAFT ASSEMBLIES

REF No.	PART No.	DESCRIPTION	QTY.
1	9512	Retainer-Snap Ring, "E" Type	2
2	9511	Retainer-Snap Ring.....	4
3	1166-1	Shim-0.062" ThickAs Req'd	
	1166-2	Shim-0.030" ThickAs Req'd	
	1166-3	Shim-0.015" ThickAs Req'd	
	1166-4	Shim-0.010" ThickAs Req'd	
	1166-5	Shim-0.005" ThickAs Req'd	
4	1086	Bushing-Bronze	4

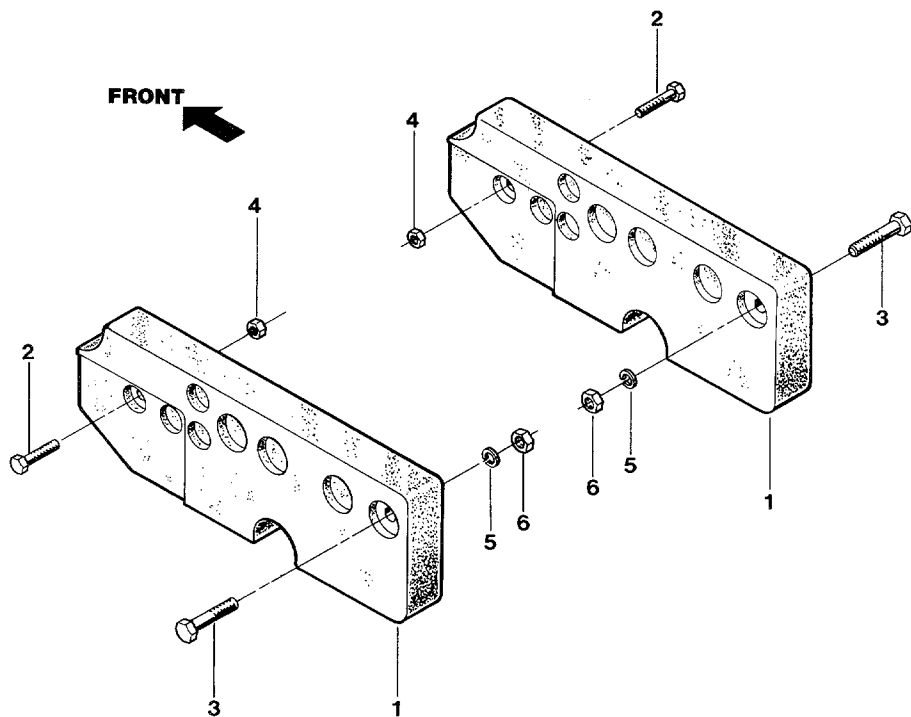
REF No.	PART No.	DESCRIPTION	QTY.
5	55004	Wheel Shaft	1
6	9305	Key-Wheel Shaft, Hi Pro, 1/4"x1"	1
7	1132-2	Spacer	4
8	50041	Worm Gear-Wheel Shaft	1
9	55006	Tiller Shaft	1
10	1104	Woodruff Key-Tiller Shaft.....	1
11	50042	Worm Gear-Tiller Shaft	1

ACCESSORIES

BUMPER & CARBURETOR GUARD ATTACHMENT (Part No. 11405)
(Viewed from front of tiller)



FRAME WEIGHT KIT (Part No. 55067)



ACCESSORIES

REF No.	PART No.	DESCRIPTION	QTY.	REF No.	PART No.	DESCRIPTION	QTY.
Bumper and Carburetor Guard Attachment (Part No. 11045)				Frame Weight Kit (Part No. 55067)			
1	50195	Carburetor Guard.....	1	1	55066	Frame Weight	2
2	9801	Nut, Hex Hd., 5/16-18.....	5	2	9702	Screw, Hex Hd., 1/4-20 x 1-1/4" ..	2
3	9912	Lockwasher, 5/16"	5	3	9758	Screw, Hex Hd., 5/16-18 x 1-1/2"	2
4	9557	Screw, Hex Hd., 5/16-18 x 2-1/2"	4	4	9800	Nut, Hex Hd., 1/4-20.....	2
5	50215	Bumper.....	1	5	9912	Lockwasher, 5/16"	2
6	9758	Screw, Hex Hd., 5/16-18 x 1-1/2"	1	6	9801	Nut, Hex Hd., 5/16-18.....	2



For customer assistance, contact your nearest authorized dealer or:

In the United States: Garden Way Incorporated • 102nd Street & 9th Ave. • Troy, New York 12180
For Technical Service: (800) 520-5520 • For Parts: (800) 648-6776

In Canada: Garden Way Incorporated • 320 Van Sickle Road, Unit 12 • St. Catharines, Ontario L2R 6P7
For Technical Service or Parts: (800) 225-3585

Free Manuals Download Website

<http://myh66.com>

<http://usermanuals.us>

<http://www.somanuals.com>

<http://www.4manuals.cc>

<http://www.manual-lib.com>

<http://www.404manual.com>

<http://www.luxmanual.com>

<http://aubethermostatmanual.com>

Golf course search by state

<http://golfingnear.com>

Email search by domain

<http://emailbydomain.com>

Auto manuals search

<http://auto.somanuals.com>

TV manuals search

<http://tv.somanuals.com>