



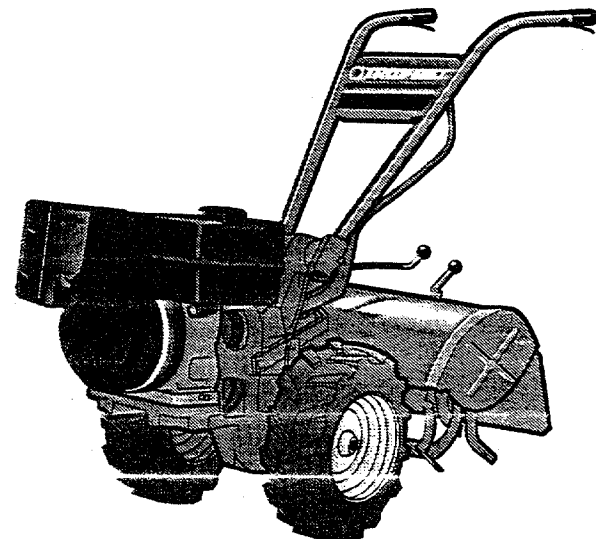
Owner's Manual

PTO HORSE TILLER

- Safety
- Assembly
- Controls
- Operation
- Maintenance
- Parts

Models

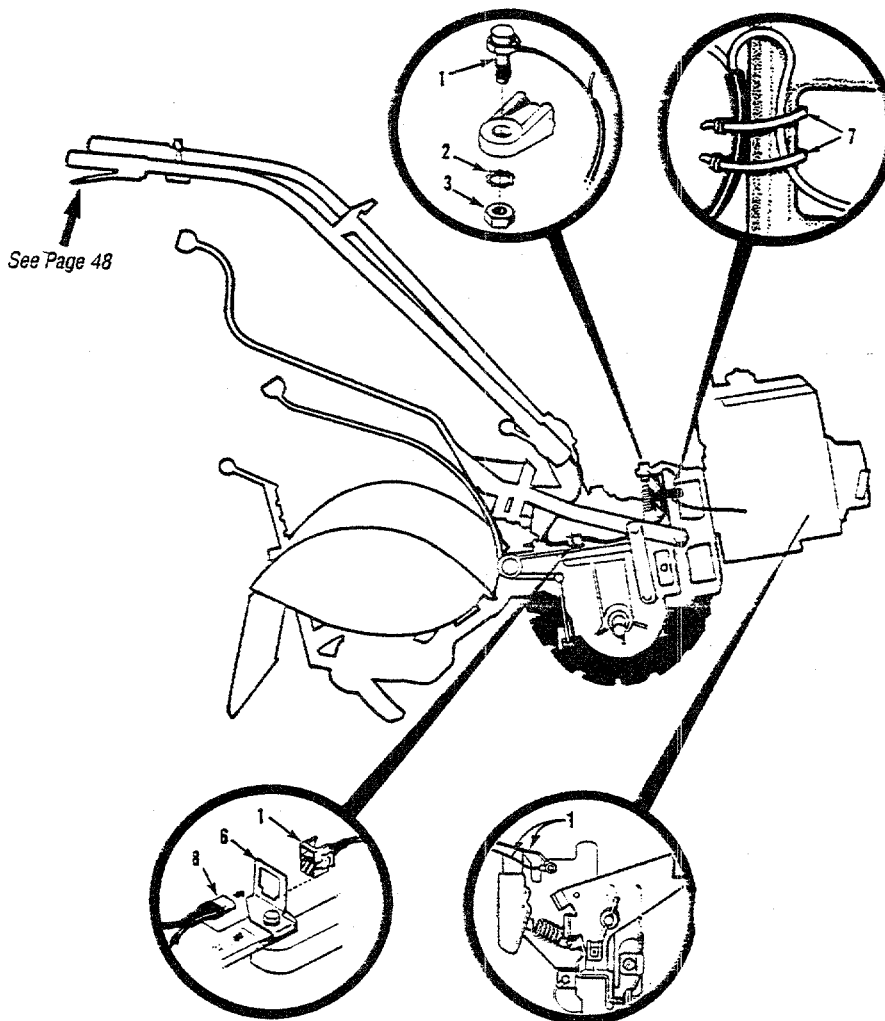
- 12089 – 8HP Standard
- 12090 – 8HP Electric
- 12204 – 10HP Electric



(8HP model shown)

GARDEN WAY INCORPORATED

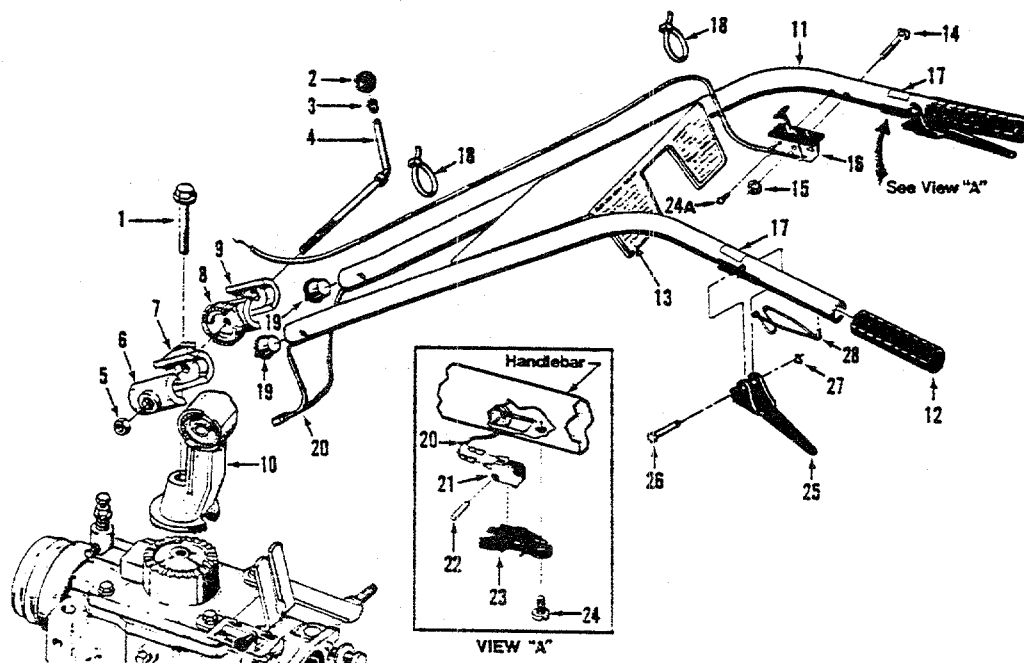
FORWARD INTERLOCK SYSTEM



BRIGGS & STRATTON

REF No.	PART No.	DESCRIPTION	QTY.	REF No.	PART No.	DESCRIPTION	QTY.
1	2552	Engine Wire Harness Assy—forward interlock system (Incl. one red and one black wire, plug connector, neutral switch and PVC tubing. Parts not available separately.....	1	2	9971	Lockwasher—external tooth, 7/16".....	1
				3	1186246	Nut—hex, 7/16"-20	1
				6	9205	Clip—for plug connector.....	1
				7	9202	Tie—plastic	1
				8	2551	Handlebar Wire Harness Assy—(see page 48, Ref. No. 20).....	1

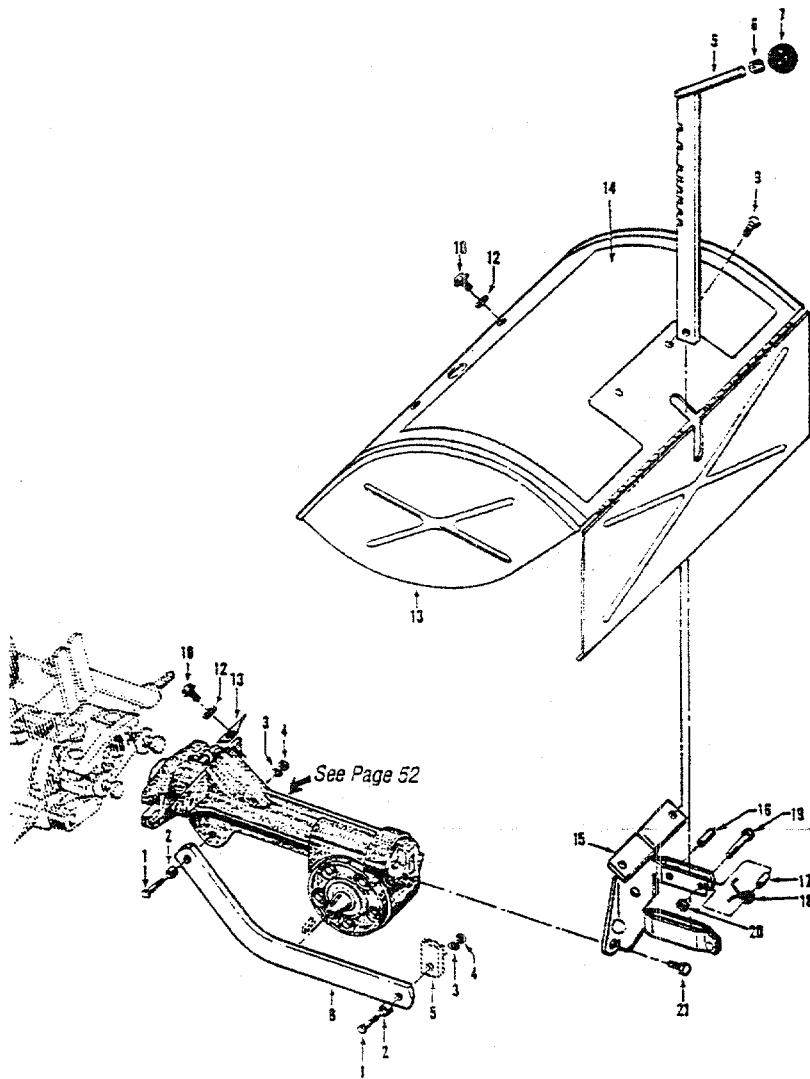
HANDLEBAR ASSEMBLY



REF No.	PART No.	DESCRIPTION	QTY.
1	9548	Bolt—Hex hd., flanged self-locking Grade 5, 1/2-13 x 3-1/2"	1
2	9119	Knob—handlebar height adjustment (Incl. Ref. No. 3)	1
3	9120	Ring—retaining (tolerance ring).....	1
4	1881	Stud—handlebar height adjustment (Incl. Ref. No.'s 2, 3 and 5)	1
5	1186233	Nut—hex. 1/2"-13.....	1
6	1900854001	Clamp—left. handlebar height adjustment	1
7	1900856001	Ratchet—left, handlebar height adjustment	1
8	1900857001	Ratchet—right, handlebar height adjustment	1
9	1900855001	Clamp—right, handlebar height adjustment	1
10	1900858001	Base—handlebar mounting	1
11	2704	Handlebars—(Includes two of each Ref. Nos. 12, 17 and 28 and one Ref. No. 13).....	1
12	9125	Grip—handlebars	2
13	2715	Decal—operator control panel.....	1
14	9547	Bolt—curved hd. GR5, 1/4-20 x 2" ..	1
15	1186389	Nut—hex. flanged self-locking, whiz lock, 1/4"-20.....	1

REF No.	PART No.	DESCRIPTION	QTY.
16A	T909286	Throttle Control & Cable—8HP Briggs & Stratton engine only (also see Ref. No. 24A)	1
16B	9650	Throttle Control & Cable—8HP Kohler engine only	1
17	1900763	Decal—Forward Interlock Lever	2
18	9202	Tie—plastic	2
19	9219	Plug—wire harness retainer	2
20	2551	Handlebar Wire Harness Assy—forward interlock system.....	1
21	9250	Handlebar Switch—forward interlock system.....	2
22	9385	Lock Pin—handlebar switch.....	2
23	2543	Switch Housing—handlebar switch.	2
24	1186009	Screw—pan head, 10-24 x 1/2", thread-forming	2
24A	9733	Screw—Phillips head, 10-32 x 1/2", thread-forming	1
25	2546	Lever—forward interlock.....	2
26	9199	Pivot Pin—forward interlock lever...	2
27	9514	Retaining Ring—clip ring—forward interlock lever.....	2
28	9387	Return Spring—fwd interlock lever.	2

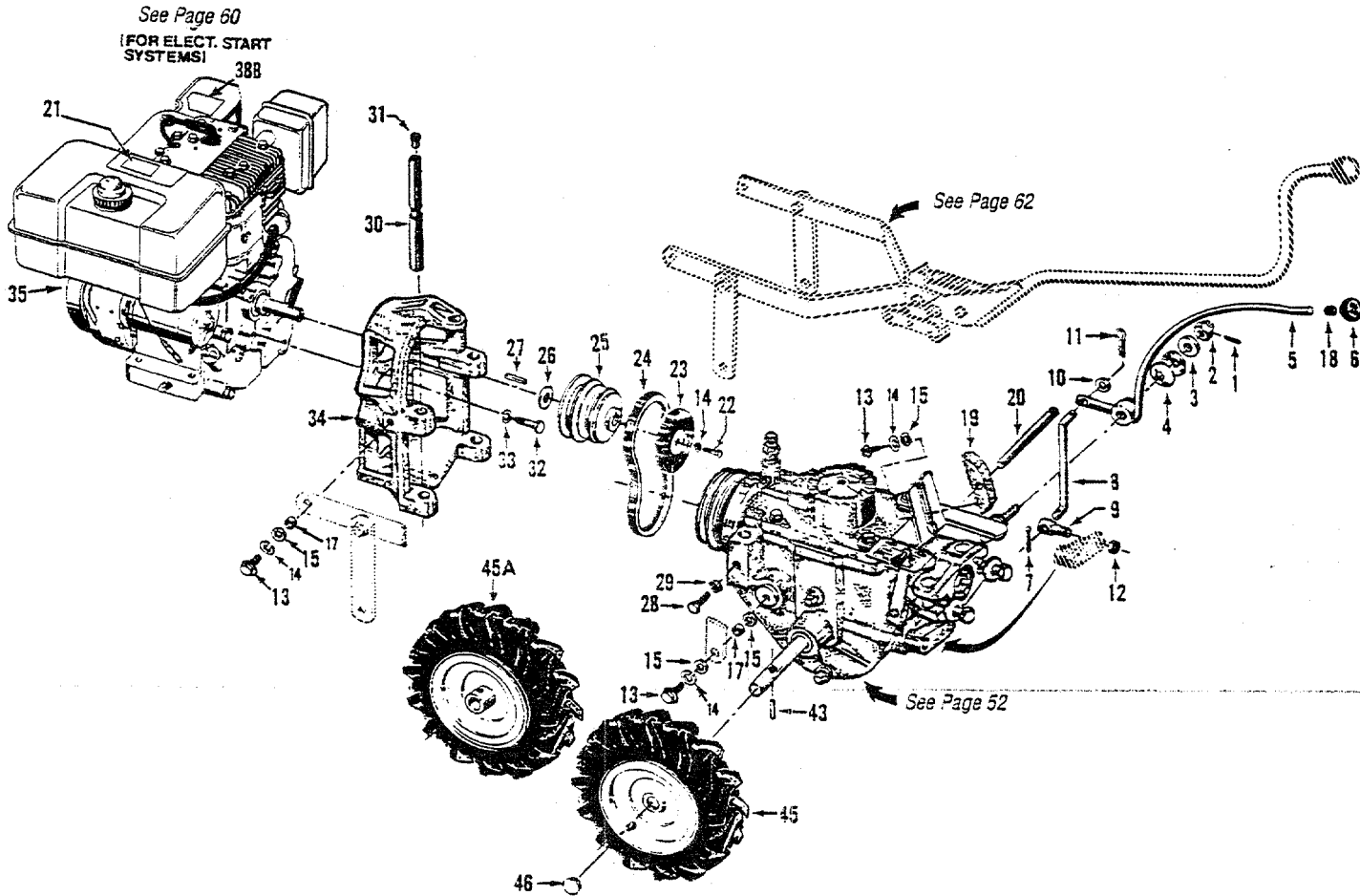
DEPTH REGULATOR & TINE HOOD ASSEMBLIES



REF No.	PART No.	DESCRIPTION	QTY.
1	1100043	Boit-hex hd., 3/8-16 x 1-1/4"	2
2	1113-1	Bushing-19/64" (.300" lg.)	2
3	1100243	Lockwasher-spring lock, 3/8"	2
4	1186231	Nut-hex, 3/8"-16	2
5	1117A	Bar-depth regulator (incl. Ref. No.'s 6 and 7)	1
6	9120	Ring-retaining	1
7	9119	Knob-depth regulator (incl. Ref. No. 6)	1
8	1900867001	Bar-drag, depth regulator	1
9	9552	Screw-thread-forming, 1/4-20 x 1/2"	2
10	1186329	Bolt-flanged hex hd., 5/16-18 x 3/4"	2

REF No.	PART No.	DESCRIPTION	QTY.
12	9929	Washer-flat, 5/16"	2
13	1904563	Hood-(incl. Ref. No. 14)	1
14	1904543	Decal-hood. operating instructions	1
15	2527	Bracket-(incl. Ref. No. 16)	1
16	9308	Pin-roll (spiro) 1/4" x 1"	1
17	9534	Spacer	1
18	9384	Spring	1
19	1100069	Bolt-hex hd., 1/4-20x1"	1
20	9811	Locknut-1/4"-20	1
21	1186328	Bolt-flanged hex hd., 5/16-18 x 5/8"	2

WHEEL SPEED LEVER, BELT DRIVE SYSTEM, ENGINES, WHEELS



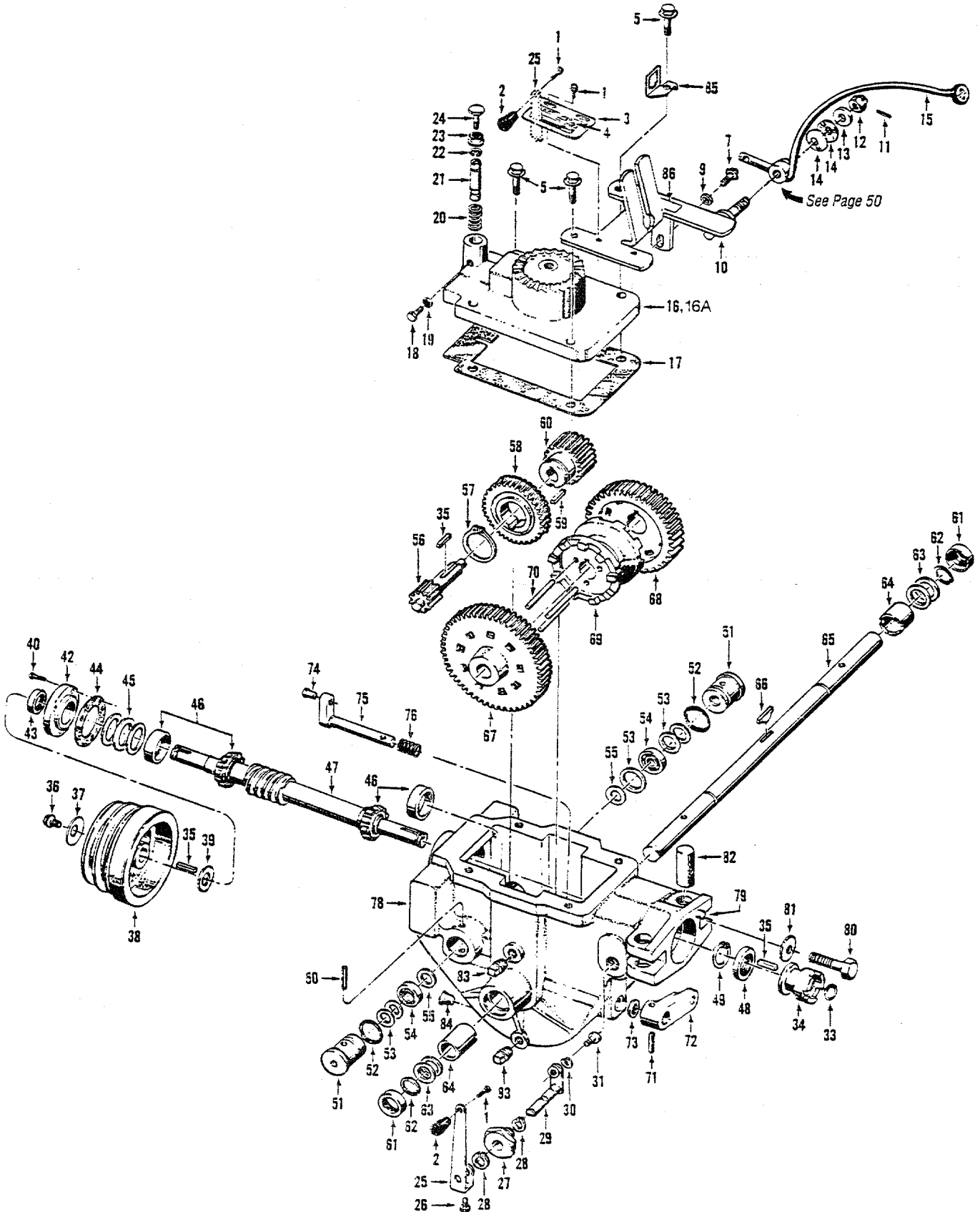
REF No.	PART No.	DESCRIPTION	QTY.	REF No.	PART No.	DESCRIPTION	QTY.
WHEEL SPEED LEVER				ENGINES AND ENGINE MOUNT			
1	9362	Pin-spring, 1/8".....	1	28	1100045	Bolt-hex hd., 5/16-18 x 1", Grade 5.....	2
2	9838	Nut-castle (slotted), 1/2"-20.....	1	30	1034	Bar-engine mounting.....	2
3	9934	Washer-shoulder, 1/2".....	1	31	9147	Plug-thread protector, red plastic.....	2
4	9932	Washer-disc spring.....	2	32	9572	Bolt-hex hd., 5/16-24 x 1-1/8".....	4
5	2628	Lever-wheel speed shift (incl. Ref No.'s 6 and 18).....	1	33	1100242	Lockwasher-spring lock, 5/16".....	4
6	1902240	Knob-wheel speed shift lever.....	1	34	1916274001	Mount-engine to tiller.....	1
7	9317	Pin-cotter, 3/32" x 1".....	1	35	*	8HP Briggs & Stratton Engine-Recoil or electric start. (Electric start requires key switch starting system.).....	1
8	1231	Rod-connecting rod, wheel speed shift lever.....	1	35	*	10HP Briggs & Stratton Engine-Electric start (has key switch starting system.).....	1
9	1033	Swivel-connecting rod.....	1	38B	1904565	Decal-hot surface safety warning....	1
10	1107382	Washer-flat, 5/16", S.A.E.....	1	WHEEL & TIRE ASSEMBLIES			
11	9338	Pin-hair cotter.....	1	43	9322	Pin-roll, 5/16" x 1-1/2".....	2
12	1110107	Locknut-hex hd., 5/16"-18.....	1	45	2709-01	**Wheeel & Tire Assy- bar tread, left side, 4:80 x 8" tubeless tire with valve stem, on one-piece steel wheel.....	1
13	1100046	Boit-flanged hex hd., 3/8-16 x 1".....	5	45A	2709-02	**Wheel & Tire Assy-bar tread, right side. Same as above but for right side of tiller.....	1
14	1100243	Lockwasher-spring lock, 3/8".....	5	46	1902020	Cap-wheel hub.....	2
15	1107383	Washer-flat, 3/8", S.A.E.....	7	BELT DRIVE SYSTEM			
17	1113-1	Bushing-spacer, 19/64" (.300"lg.)....	4	19	1920	Block-belt adjustment, 3-7/8" (incl. Ref. No.'s 13,15, and 20).....	1
18	9120	Ring-retaining (tolerance ring).....	1	20	2100	Rod-belt adjust., 7" with measuring gauge.....	1
				21	1915810	Decal-engine stabilization, for Briggs & Stratton engines.....	
				22	1100011	Bolt-hex hd., 3/8-24 x 1-1/2".....	1
				23	1919	Disc-reverse, (incl. Ref. No. 19).....	1
				24	9245	Belt-forward drive (no substitute due to extra strength required).....	1
				25	1483	Pulley-engine power take off.....	1
				26	1138-1	Shim-engine pulley, 1/16" As Req'd	
				26	1138-2	Shim-as above, 1/32" As Req'd	
				27	9303	Key-engine pulley, 3/16"sq. x 2-1/2" 1	

* Contact an authorized engine dealer, Troy-Bilt dealer or the Factory for replacement engine information.

Contact an authorized engine dealer for engine service or parts. Refer to the engine name-plate for engine model and type information.

** For correct traction and directional control, Bar Tread Tires should be mounted on the tiller so the closed end of the "V" in the tire tread on top of the tire faces forward.

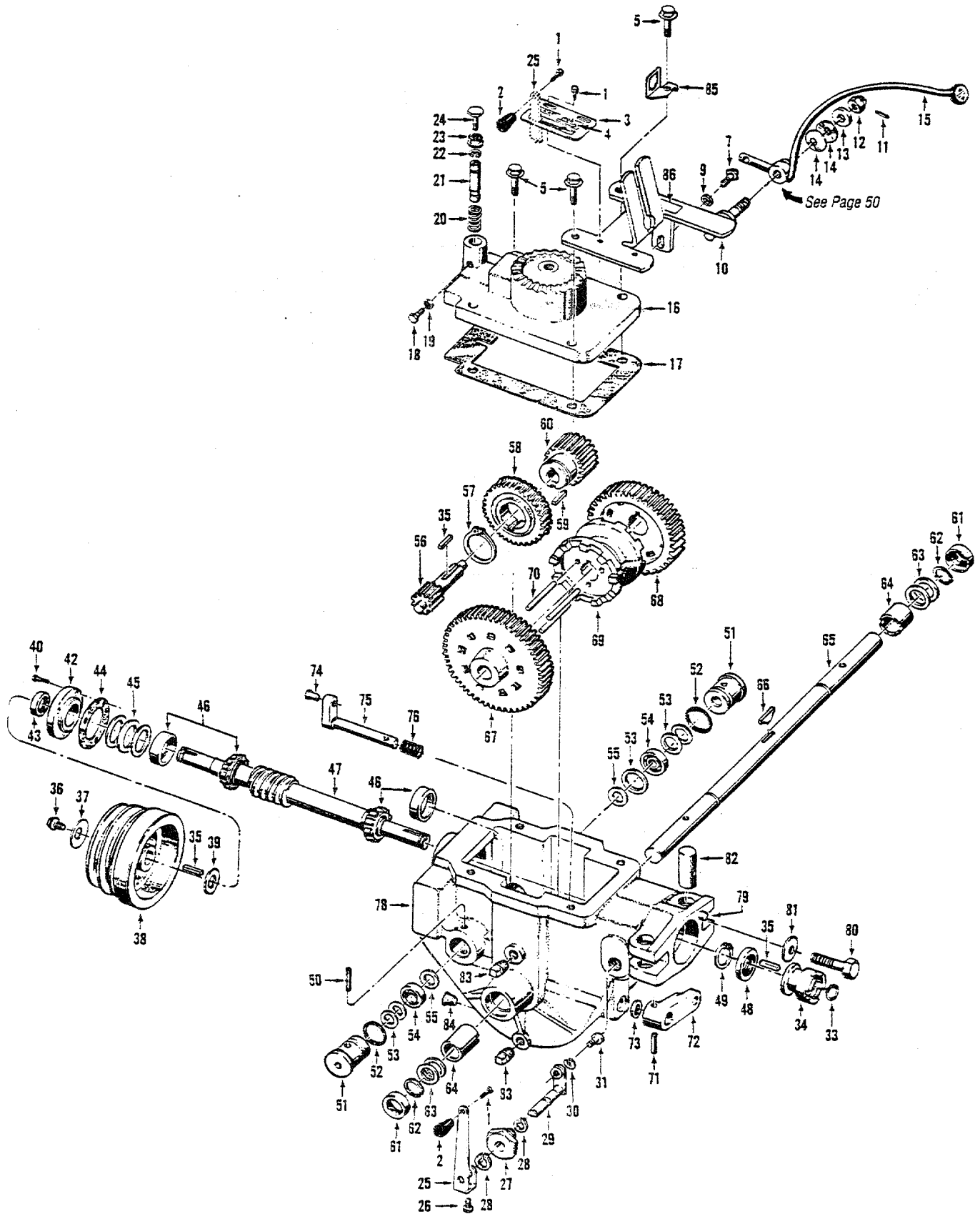
POWER UNIT TRANSMISSION ASSEMBLIES



REF No.	PART No.	DESCRIPTION	QTY.	REF No.	PART No.	DESCRIPTION	QTY.
TRANSMISSION COVER & SHIFT LEVER BRACKET ASSEMBLIES							
1	1186299	Bolt-hex hd., #10-32 x 3/8", self-locking flange	3	28	9516	Retaining Ring-(snap ring), external.....	2
2	9463	Knob-tines/PTO clutch lever, tapered, plastic	1	29	2461	Eccentric-shaft, tines/PTO clutch lever.....	1
3	2263	Detent Plate-tines/PTO clutch lever (incl. Ref. No. 4)	1	30	9911	Lockwasher-hi-collar, 1/4".....	1
4	1900758	Decal-operating instructions, detent plate	1	31	9672	Screw-socket hd., 1/4-20 x 3/8" ...	1
5	1186347	Bolt-flanged hex hd., 3/8-16 x 1-1/2"	4	DRIVE SHAFT ASSEMBLY			
7	1186329	Bolt-flanged hex hd., 5/16-18 x 3/4", Grade 5	1	33	9500	Retaining Ring-external	1
9	1107382	Washer-flat, 5/16", S.A.E.	1	34	1909139	Dog Clutch-power unit	1
10	1900870001	Bracket-shift levers (incl. Ref. No. 86)	1	35	9301	Key-3/16 sq. x 1"	3
11	9362	Pin-spring, 1/8"	1	36	1100004	Bolt-hex hd., 5/16-24 x 3/4", self-locking flange, Grade 5	1
12	9838	Nut-castle (slotted), 1/2"-20. call Tech Service for tightening instructions.	1	37	9944	Washer-disc spring (concave).....	1
13	9934	Washer-shoulder, 1/2"	1	38	2107	Pulley-transmission drive, cast iron	1
14	9932	Washer-disc spring	2	39	50027	Washer-flat, hardened shoulder 1-1/4"	1
15	----	Lever-wheel speed shift (see page 53, Ref. No. 5 for part number) .	1	40	1186310	Bolt-hex hd., 1/4-20 x 3/4", front bearing cap	3
16	1900869001	Cover-power unit transmission	1	42	1900879001	Cap-front bearing	1
16A	2566	Cover-power unit transmission (incl. Ref. No.'s 18, 19, 20, 21, 22, 23 and 24)	1	43	1983632	Seal-oil, front bearing cap	1
17	1123	Gasket-transmission cover	1	44	1124-2	Gasket-front bearing cap	1
18	1100045	Bolt-hex hd., 5/16-18 x 1", Grade 5, (remove with care)	1	45	1224-1	Shim-front bearing cap, .010" thick	As Req'd
19	1186230	Nut-hex, 5/16"-18	1	45	1224-2	Shim-as above, .030"	As Req'd
20	1901439	Spring-neutral plunger (remove with care)	1	45	1224-3	Shim-as above, .005"	As Req'd
21	1035	Plunger-neutral (remove with care) (incl. Ref. No. 22)	1	45	1224-4	Shim-as above, .062"	As Req'd
22	1901440	Clip Ring-retains neutral plunger..	1	46	1714	Bearing & Cup-tapered cone roller bearing with cup (race). Cone and cup sold as set only	2
23	1186393	Nut-hex, flange locknut, 3/8"-16...	1	47	11601	Shaft-main drive, power unit. Incl. integral worm, plus two pressed-on cone roller bearings, two bearing cups and two shoulder washers	1
24	1902004	Bolt-hex hd., 3/8-16x1-1/2", threaded full length.....	1	48	9617	Seal-oil, drive shaft, rear	1
TINES/PTO CLUTCH LEVER ASSEMBLY				49	9517	Retaining Ring-(snap ring), internal.....	1
25	1900878001	Lever-eccentric, tines/PTO clutch. (also see Ref. No.'s 1, 2, 3 and 4 listed above)	1	PINION SHAFT ASSEMBLY			
26	1100804	Bolt-hex hd., 1/4-20 x 1/2"	1	50	9309	Pin-roll (spiral), 1/4 x 2"	2
27	2123	Bushing-tines/PTO clutch lever eccentric shaft	1	51	1060A	Plug-retaining, pinion bearing (incl. Ref. No. 52)	2
				52	9604	O-Ring-retaining plug.....	2
				53	1132-1	Shim-retaining plug, 1-1/64" inner dia., .033" thick (on right side only one #1132-1 shim is also used between bearing and washer, Ref. No.'s 54 & 55).....	As Req'd

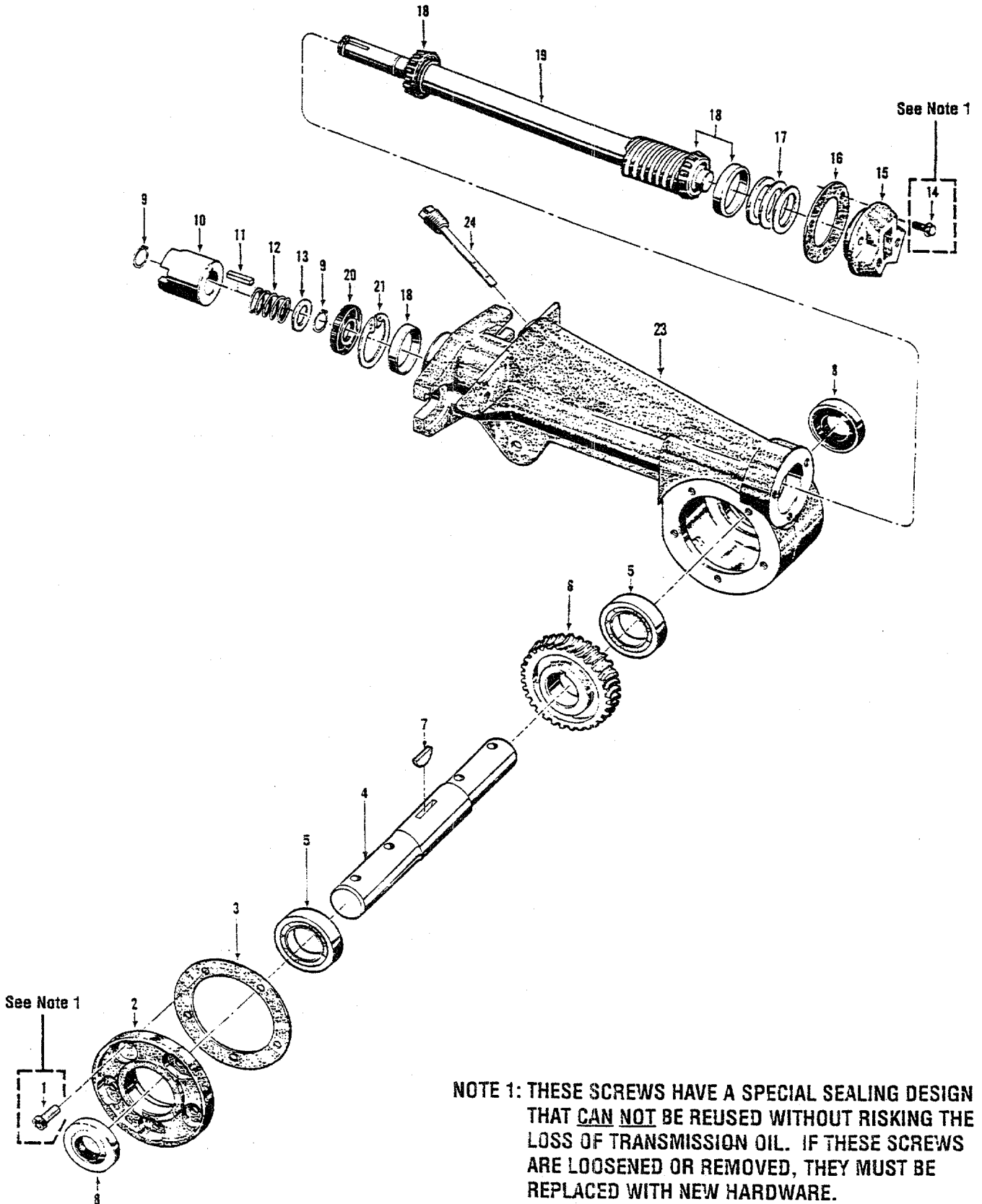
(continued on page 55)

POWER UNIT TRANSMISSION ASSEMBLIES (Continued from page 53)



REF No.	PART No.	DESCRIPTION	QTY.	REF No.	PART No.	DESCRIPTION	QTY.
(continued from page 53)							
PINION SHAFT ASSEMBLY				ECCENTRIC SHAFT ASSEMBLY			
53	1132-2	Shim—same as 1132-1, .062"	As	71	9307	Pin—roll, 3/16" x 1-1/4" (spirol)	1
			Req'd	72	1900880001	Lever—eccentric, wheel speed	
53	1132-3	Shim—same as 1132-1, .010"	As			shifting	1
			Req'd	73	9622	Seal—oil, eccentric shaft	1
54	9404	Bearing—ball, pinion shaft	2	74	1442	Pin—eccentric shaft, wheel speed	
55	1126	Washer—pinion shaft	2			shifting	1
56	1222	Stem Pinion—slow speed gear &		75	2712	Eccentric Shaft—wheel speed	
		shaft	1			shifting	1
57	9502	Ring—retaining, external	1	76	1441	Spring—eccentric shaft	1
58	2656	Worm Gear—bronze, wheel drive ...	1	TRANSMISSION HOUSING			
59	9300	Key—3/16" x 5/8"	1	78	2260	Housing—power unit transmission	
60	1233	Gear—fast speed pinion	1			(incl. Ref. No. 79). Empty housing	
WHEEL SHAFT ASSEMBLY						without covers, shafts, gears,	
61	9621	Seal—oil, wheel shaft	2			seals, etc. Call Factory before	
62	9511	Retaining ring—external	2			ordering)	1
63	1166-1	Shim—wheel shaft, 1-1/64" inner		79	9359	Pin—alignment	1
		dia., .062" thick	As	MISCELLANEOUS PARTS			
			Req'd	80	9560	Bolt—hex hd., 1/2-13 x 2" Grade 5 .	2
63	1166-2	Shim—as above, .030" thick	As	81	9928	Washer—disc spring (concave),	
			Req'd			domed side faces bolt head	2
63	1166-3	Shim—as above, .015" thick	As	82	2126	Post—with threaded hole for Ref.	
			Req'd			No. 80	2
63	1166-4	Shim—as above, .010" thick	As	83	1105620	Plug—pipe, 1/4"	2
			Req'd	84	9122	Plug—red plastic, thread protector.	1
63	1166-5	Shim—same as above, .005" thick	As	85	9205	Clip—forward interlock system plug	
			Req'd			connector (see page 7)	1
64	1086	Bushing—bronze, wheel shaft		86	1900759	Decal—forward interlock wire	
		bearing	2			harness	1
65	1878	Shaft—wheel, 15-5/8", (Incl. two of					
		Ref. No. 62 and one Ref. No. 66)	1				
66	9357	Key—Hi Pro, 1/4" x 1-3/4"	1				
67	1223	Gear—slow speed, wheel drive	1				
68	1232	Gear—fast speed, wheel drive	1				
69	1237	Dog Clutch—wheel drive	1				
70	1112	Pin—clutch guide, 1/4" diameter	3				

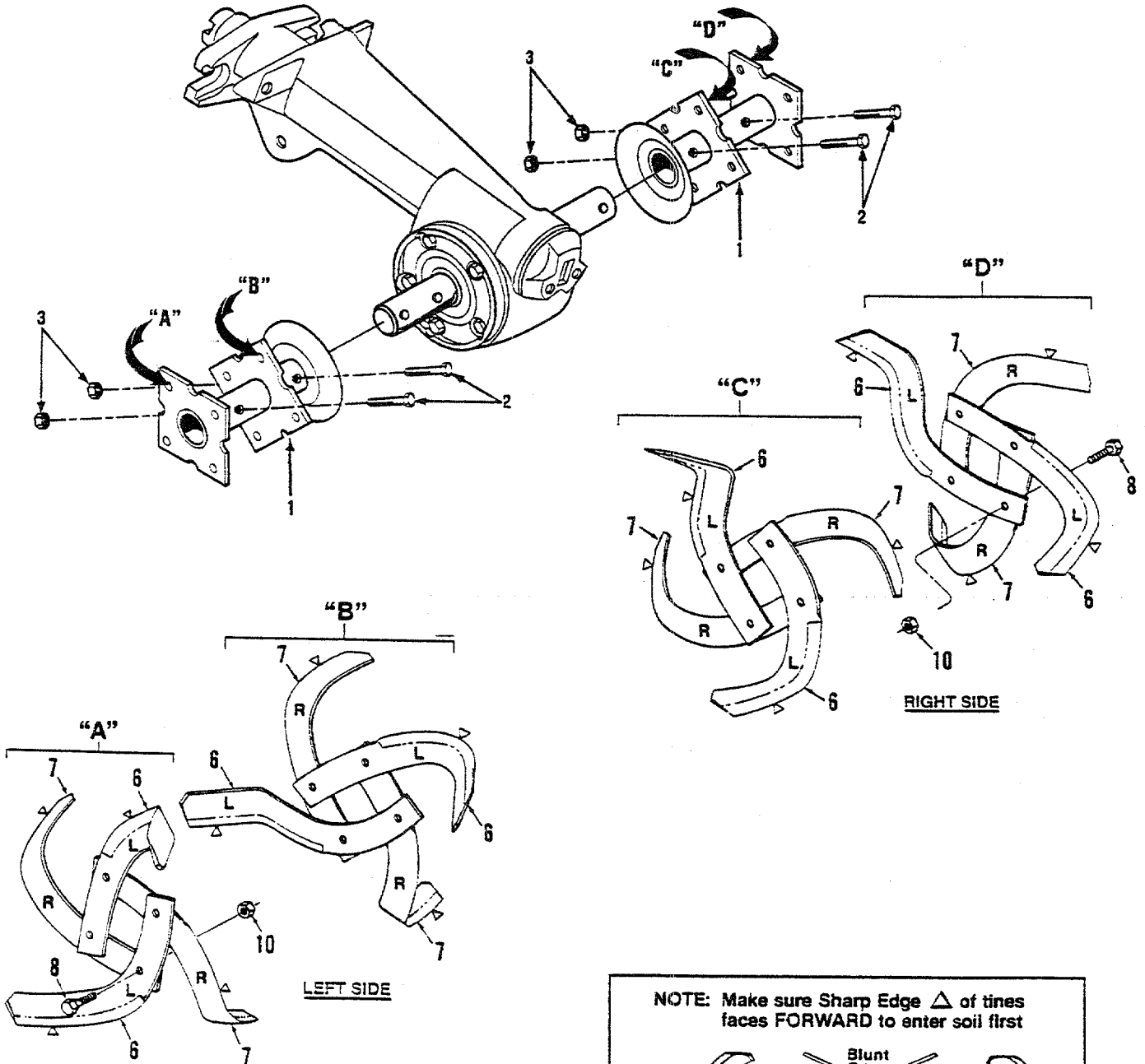
TILLER ATTACHMENT TRANSMISSION ASSEMBLIES



NOTE 1: THESE SCREWS HAVE A SPECIAL SEALING DESIGN THAT CAN NOT BE REUSED WITHOUT RISKING THE LOSS OF TRANSMISSION OIL. IF THESE SCREWS ARE LOOSENED OR REMOVED, THEY MUST BE REPLACED WITH NEW HARDWARE.

REF No.	PART No.	DESCRIPTION	QTY.	REF No.	PART No.	DESCRIPTION	QTY.
1	1915087	Screw Kit, includes five (5) 1/4"-20 x 5/8" self-sealing screws	As Req'd	17	1224-1	Shim—front bearing cap, .010" thick	As Req'd
2	20873	Cover—tiller housing	1	17	1224-2	Shim—same as above, .030" thick	As Req'd
3	1129-1	Gasket—tiller housing cover, .010" thick	As Req'd	17	1224-3	Shim—same as above, .005" thick	As Req'd
3	1129-2	Gasket—same as above, .030" thick	As Req'd	17	1224-4	Shim—same as above, .062" thick	As Req'd
4	1901972	Shaft—tiller tine	1	18	1714	Bearing & Cup—sold as set only	2
5	97074	Ball Bearing	2	19	11602	Shaft—main tiller drive (incl. an integral worm gear, plus two pressed-on cone roller bearings, two bearing cups (Ref. No. 18) and one shoulder washer)	1
6	1901976	Worm Gear—bronze, tiller tine shaft	1	20	9617	Seal—oil, drive shaft, front	1
7	1104	Key—tiller tine shaft, woodruff key	1	21	9517	Retaining Ring—internal	1
8	97073	Seal—oil, tiller tine shaft	2				
TILLER DRIVE SHAFT ASSEMBLY							
9	9500	Retaining Ring—external	2				
10	1909138	Dog Clutch—tiller drive shaft	1				
11	9301	Key—3/16" x 1"	1				
12	2127	Spring—dog clutch	1				
13	1138-1	Shim—dog clutch, 1/16"(.62") thick	1				
14	1915089	Screw Kit, includes three (3) 1/4"-20 x 7/8" self-sealing screws	As Req'd				
15	1900881001	Cap—rear bearing	1				
16	1124-2	Gasket—rear bearing cap	1				
						TRANSMISSION HOUSING AND DIPSTICK	
				23	1902000	Housing—tiller attachment (incl. pressed-on sleeve in front of housing). Empty housing without shafts, gears, seals, dipstick, etc. Call Factory before ordering	1
				24	1909157	Dipstick—oil, tiller attachment	1

BOLO TINE ASSEMBLIES



LEGEND:
 ▲ = Sharp Edge
 L = Left Bolo Tine
 R = Right Bolo Tine

NOTE: Make sure Sharp Edge ▲ of tines faces FORWARD to enter soil first

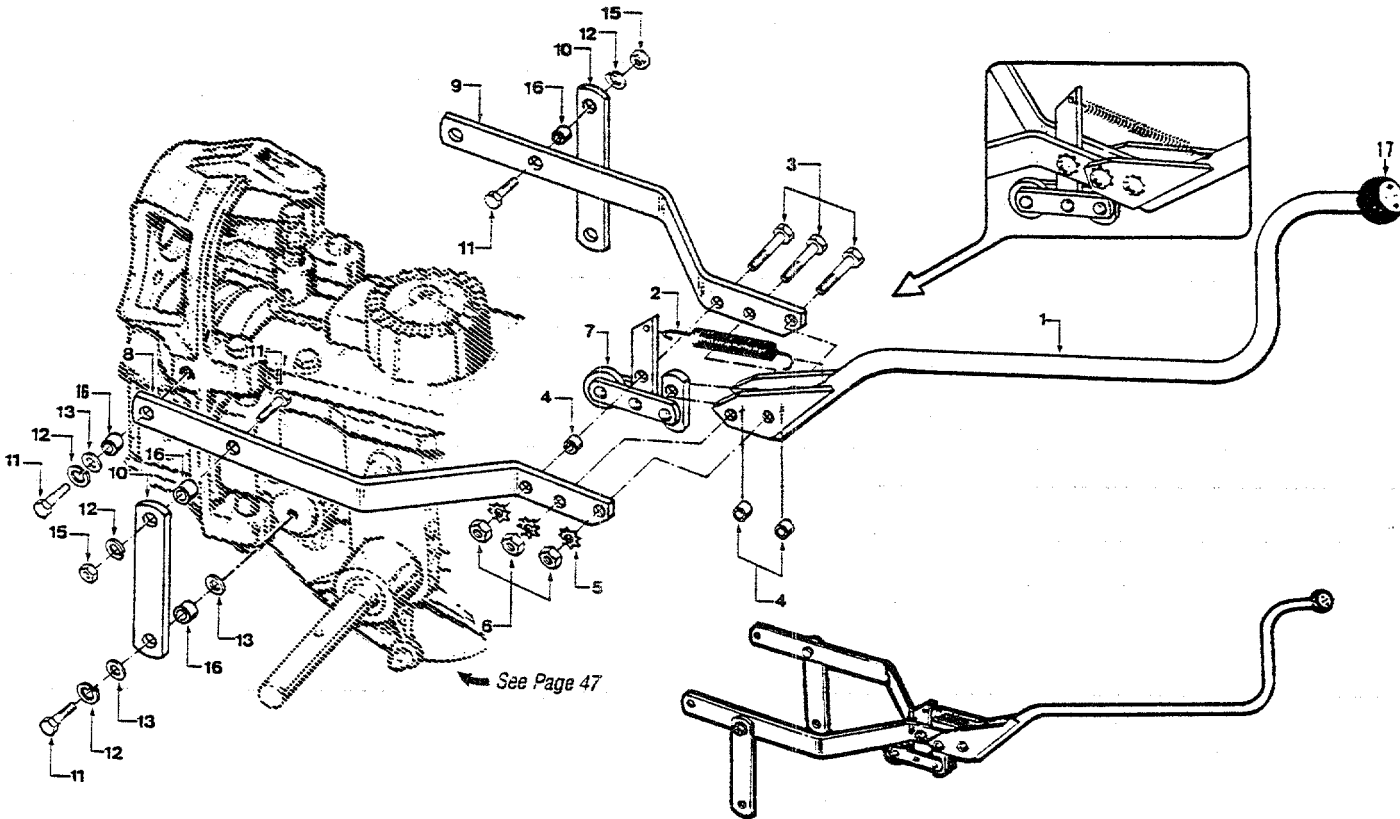
LEFT HAND TINE RIGHT HAND TINE
 (As viewed with blunt edge facing you.)

REF No.	PART No.	DESCRIPTION	QTY.
STANDARD TILLING TINES			
1	1901975001	Tine Holder—welded steel, fits left or right sides.....	2
2	1982612	Bolt—hex hd., 3/8-16 x 2".....	4
6	1270-1A	Bolo Tine—single, left hand. Used on left and right side tine assy. Tine is stamped either "EL" or "AL". (Incl. two each of Ref. No.'s 8 and 10).....	8
7	1270-2A	Bolo Tine—single, right hand. Used on left and right side tine assy. Tine is stamped either "ER" or "AR". (Incl. same hardware as Ref. No. 6).....	8
8	1100046	Bolt—hex hd., 3/8-16 x 1".....	16
10	1110108	Locknut—hex, 3/8"-16.....	20
---	1901118	Tine Replacement Kit—unassembled (Incl. eight each of Ref. No.'s 6, and 7, sixteen each of Ref. No.'s 8 and 10). Includes easy-to-follow installation instruction. DOES NOT INCLUDE tine holders, holder mounting hardware, or tine shaft keys.....	1

REF No.	PART No.	DESCRIPTION	QTY.
CUSTOM TILLING TINES			
Special hard-faced, high-chrome carbon alloy tines that are thicker than standard Bolo Tines. These tines better resist the abrasive action of rocky, gritty or sandy soil as compared to standard Bolo Tines, and are especially suited for custom tilling or market gardening.			
---	10802	Custom Tilling Tine Kit—(Incl. eight each of Part #2475-1 and #2475-2 tines and sixteen each of Ref. No.'s 8 and 10.....)	1
---	2475-1	Bolo Tine, Custom Tilling—single, left hand.....	8
---	2475-2	Bolo Tine, Custom Tilling—single, right hand.....	8

REF No.	PART No.	DESCRIPTION	QTY.	REF No.	PART No.	DESCRIPTION	QTY.
1	96515	Cable—battery, positive and negative terminals	2	23	9265	Tie—plastic, wire retaining.....	1
2	97020	Boot—terminal insulating	3	24	9009	Vent Tube—5/16" diameter	1
3	9552	Screw—self-threading, 1/4-20 x 1/2"	3	25	1475	Shield—vent tube, 1/2" diameter...	1
4	1186309	Bolt—hex hd., 1/4-20 x 5/8"	2	26	9224	Clamp—vent tube shield	1
5	1901894	Wire—recharge (red) for Briggs and Stratton engine (incl. terminal and eyelet)	1	27	9202	Tie—plastic	2
6	1904564	Battery Hold-down Clamp—with attached Key Switch Plate (incl. Ref. No. 7)	1	28	1908118	Wire Harness & Connecting Terminal Assy—for Briggs & Stratton engines(available as complete assembly only). Incl. wire assy., w/connector to large solenoid stud (red wire); wire assy. w/connector to small solenoid stud (red wire); wire assy. w/connector to solenoid grounding screw (red wire); wire assy w/connector to engine ground shut-off (green wire); plastic protector tube; wire harness; connector; wire terminal	1
7	1904548	Decal—ignition switch instruc.....	1				
8	1908112	Key Switch—includes two ignition keys (Ref. No. 9), one lockwasher, and one mounting nut (lock-washer and nut not available separately)	1	29	1908117	Wire Harness—for Kohler engine. Incl. two receptacles; three red wires (solenoid activate, battery recharge, and starter switch); two green (ground)(shutoff) wires; plastic harness tube.....	1
9	96520	Key—ignition, one pair	1				
10	9566	Bolt—carriage, 1/4-20 x 1-1/4"	2	30	1186389	Locknut—hex, 1/4"-20	2
11	1100241	Lockwasher—spring lock, 1/4"	2	32	1901202	Cable—ground, solenoid to engine block	1
12	1186229	Nut—hex, 1/4"-20	4	33	1186331	Bolt—flange lock, 5/16-18 x 1".....	1
13	90928	Battery—12 volt, 30 amps., side-vented. (incl. Ref. No. 24, 4, 12)	1	34	1186391	Nut—flange lock, 5/16"-18	1
14	96514	Solenoid—starter, includes nuts and washers for cables and wires...	1	35	1917269	Ground Wire Assembly.....	1
15	1100242	Lockwasher—5/16"	2				
16	1186211	Nut—hex, 5/16"-24	2				
17	1187559	Lockwasher—external tooth, #10..	1				
18	1186208	Nut—hex, #10-32,.....	1				
19	96510	Cable—solenoid to starter motor ..	1				
20	2571	Battery Bracket	1				
21	1186349	Bolt—flanged hex hd., 3/8-16 x 1-1/2"	2				

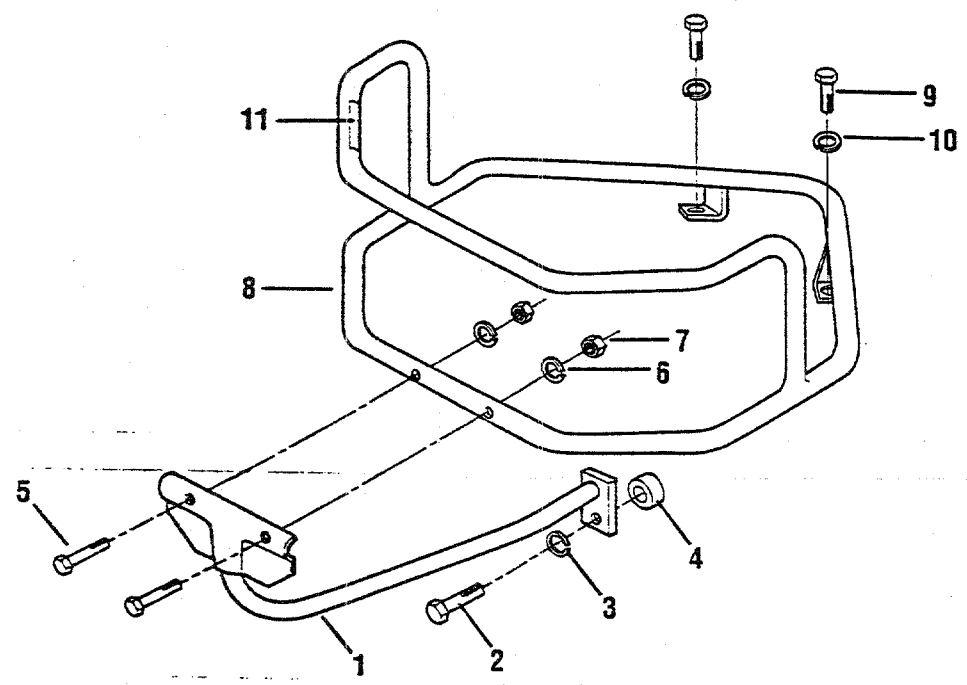
WHEELS/TINES/PTO DRIVE LEVER & YOKE ASSEMBLY



REF No.	PART No.	DESCRIPTION	QTY.
1	2574	Lever—Wheels/Tines/PTO Drive (Incl. knob w/decals)	1
2	1908156	Spring—clutch pawl.....	1
3	1100799	Bolt—hex hd., 5/16-18 x 1-1/2".....	3
4	2447	Bushing—3/8".....	3
5	1177548	Lockwasher—external tooth, 5/16" ..	3
6	1186230	Nut—hex, 5/16"-18.....	3
7	1916265001	Roller Assembly	1
8	1900468001	Yoke—left side.....	1
9	1900469001	Yoke—right side.....	1

REF No.	PART No.	DESCRIPTION	QTY.
10	1900860001	Link—yoke pivot, left & right, 6-7/8" long	2
11	1100046	Bolt—hex hd., 3/8-16 x 1".....	6
12	1100243	Lockwasher—spring lock, 3/8".....	6
13	1107383	Washer—flat, 3/8", S.A.E.....	6
15	1186231	Nut—hex, 3/8"-16.....	2
16	1113-1	Bushing—spacer, 19/64" (.300")	6
17	---	Knob—not avail. separately. See Ref No. 1.....	...

BUMPER ATTACHMENT

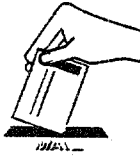


REF No.	PART No.	DESCRIPTION	QTY.	REF No.	PART No.	DESCRIPTION	QTY.
---	12588	Bumper Attachment. Includes Ref. Nos. 1 through 11)	1	6	1100242	Lockwasher - spring lock, 5/16" ..	2
1	1910730001	Brace - bumper bottom	1	7	1186230	Nut - hex, 5/16"-18	2
2	1909765	Bolt - hex hd., 1/2-13 x 1-1/2"	1	8	1910731001	Bumper wraparound.....	1
3	1100245	Lockwasher - spring lock, 1/2"	1	9	1100046	Bolt - hex hd., 3/8-16 x 1".....	2
4	1909748	Spacer, 1/2"	1	10	1100243	Lockwasher - spring lock, 3/8"	2
5	1100799	Bolt - hex hd., 5/16-18 x 1-1/2" ...	2	11	1448	Decal - for bumper	1

CUSTOMER SERVICE INFORMATION

Owner Registration Card

Please fill out and mail the enclosed owner registration card. The purpose of this card is to register each unit at the factory so that we can provide you with warranty benefits and informational bulletins.



Warranty Service

The warranty statement is included in the unit's literature package.

Model/Serial Numbers

A Model/Serial Numbers decal is located on top of the transmission. For ready reference, record these numbers in the spaces below.

Date of Purchase: _____

Model/Serial Numbers: _____

Authorized Dealer Information

If you purchased your unit from an authorized dealer, record the dealer's address and phone number below for ready reference:

Dealer Name: _____

Address: _____

Phone: _____

IMPORTANT:

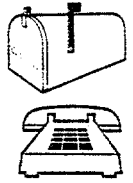
Left and right sides of the unit are determined by standing behind the unit, in the operator's position, and facing in the direction of forward travel.

NOTICE:

We reserve the right to change specifications, add improvements or discontinue the manufacture of any of our equipment without notice or obligation to purchasers of our equipment.

Customer Service and Technical Service

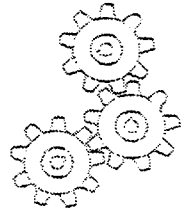
If you have questions or problems with the unit, contact your local dealer or the factory. (When calling or writing, provide the Model/Serial Numbers of the unit.)



Replacement Parts

Factory specified replacement parts are available from your authorized dealer or directly from the factory. When ordering parts, be sure to provide the following:

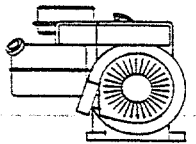
- Model/Serial Numbers of the unit.
- Part number of the part needed.
- Part Description.
- Quantity needed.



NOTE: All replacement parts must conform to our rigid quality specifications. Although some replacement parts we provide may vary slightly in shape, color or texture from the original parts, any variations will not affect the fit or performance of these parts on your unit.

Engine Service and Repair

For engine service or repair, contact your nearest authorized engine dealer (look in the Yellow Pages under "Engines—Gasoline"). The engine is warranted by the engine manufacturer. Any unauthorized work performed on the engine during the warranty period may void this warranty. For complete details on the engine warranty, refer to the engine owner manual.



WARNING

We urge using *only* genuine replacement parts, which meet all the latest requirements. Replacement parts manufactured by others could present safety hazards, even though they may fit on the unit.

For customer assistance, contact your nearest authorized dealer or:

GARDEN WAY INCORPORATED • 1 Garden Way • Troy, New York 12180

Customer Service: 1-800-437-8686 • Technical Service: 1-800-520-5520 • Parts Service: 1-800-648-6776

• FAX: (518) 391-7332 • WEBSITE: www.troybiit.com

Outside the United States and Canada:

Customer Service: (518) 391-7007 • Technical Service: (518) 391-7008 • Parts Service: (518) 391-7006 • FAX (518) 391-7332

Free Manuals Download Website

<http://myh66.com>

<http://usermanuals.us>

<http://www.somanuals.com>

<http://www.4manuals.cc>

<http://www.manual-lib.com>

<http://www.404manual.com>

<http://www.luxmanual.com>

<http://aubethermostatmanual.com>

Golf course search by state

<http://golfingnear.com>

Email search by domain

<http://emailbydomain.com>

Auto manuals search

<http://auto.somanuals.com>

TV manuals search

<http://tv.somanuals.com>