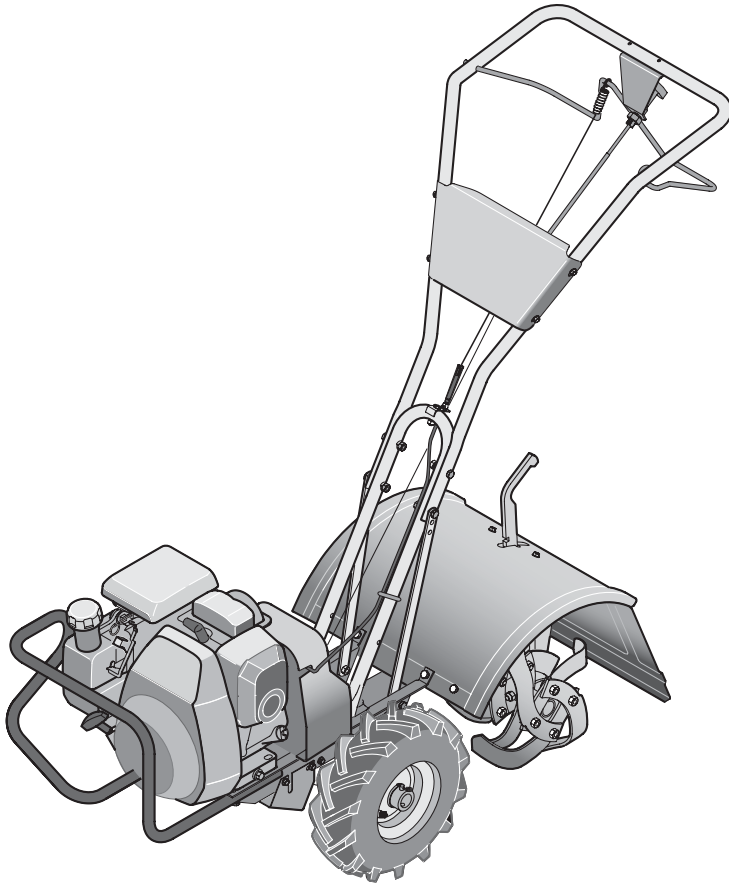




# Operator's Manual



Model 645A Shown

## Rear-tine Tiller Models

643C — Tuffy® / Bronco CRT

643B, 645A — Super Bronco™

**IMPORTANT:** Read safety rules and instructions carefully before operating equipment.

**Warning:** This unit is equipped with an internal combustion engine and should not be used on or near any unimproved forest-covered, brush-covered or grass-covered land unless the engine's exhaust system is equipped with a spark arrester meeting applicable local or state laws (if any). If a spark arrester is used, it should be maintained in effective working order by the operator. In the State of California the above is required by law (Section 4442 of the California Public Resources Code). Other states may have similar laws. Federal laws apply on federal lands. A spark arrester for the muffler is available through your nearest engine authorized service dealer or contact the service department, P.O. Box 361131 Cleveland, Ohio 44136-0019.

**Troy-Bilt LLC, P.O. BOX 361131 CLEVELAND, OHIO 44136-0019**

PRINTED IN U.S.A.

FORM NO. 769-00585E.  
11/11/05

## TABLE OF CONTENTS

Content	Page	Content	Page
Customer Support	2	Maintenance	17
Safety	3	Off-season Storage	21
Assembly	6	Troubleshooting	22
Features and Controls	10	Parts List	24
Operation	12	Warranty	Back Cover

## FINDING MODEL NUMBER

This Operator's Manual is an important part of your new tiller. It will help you assemble, prepare and maintain the unit for best performance. Please read and understand what it says.



**Before you start assembling your new equipment**, please locate the model plate on the equipment and copy the information from it in the space provided below. A sample model plate is also given below. You can locate the model plate by looking at the rear of the tine shield. This information will be necessary to use the manufacturer's web site and/or help from the Customer Support Department or an authorized service dealer.



Copy the model number here: \_\_\_\_\_

Copy the serial number here: \_\_\_\_\_

## CUSTOMER SUPPORT

***Please do NOT return the unit to the retailer without first contacting Customer Support.***

If you have difficulty assembling this product or have any questions regarding the controls, operation or maintenance of this unit, you can seek help from the experts. Choose from the options below:

	<p>Visit <b>troy-bilt.com</b> for many useful suggestions. Click on Customer Support button and you will get the four options reproduced here. Click on the appropriate button and help is immediately available.</p> <div style="display: flex; justify-content: space-between; align-items: center;"> <div style="width: 45%; text-align: center;"> <p><i>The answer you are looking for could be just a mouse click away!</i></p> </div> <div style="width: 30%; border: 1px solid black; padding: 5px;"> <div style="border-bottom: 1px solid black; padding: 2px;"> <p><b>Find Answers</b> Click here to search our knowledge base. Search by product, keyword, or phrase.</p> </div> <div style="border-bottom: 1px solid black; padding: 2px;"> <p><b>My Stuff</b> Login to check the status of your questions, modify your inquiries, or update your personal profile.</p> </div> <div style="border-bottom: 1px solid black; padding: 2px;"> <p><b>Service Locator</b> Need local assistance? Click here to find authorized service centers in your area.</p> </div> <div style="padding: 2px;"> <p><b>Manuals Online</b> Need a manual and/or parts list? Download literature from recent model years.</p> </div> </div> <div style="width: 45%; text-align: center;"> <p><i>The answer you are looking for could be just a mouse click away!</i></p> </div> </div>
	<p>If you prefer to reach a Customer Support Representative, please call <b>1(866) 840-6483</b>.</p>
	<p>The <b>engine</b> manufacturer is responsible for all engine-related issues with regard to performance, power-rating, specifications, warranty and service. Please refer to the engine manufacturer's Owner's/Operator's Manual, packed separately with your unit, for more information.</p>

## SECTION 1: SAFETY

This machine meets voluntary safety standard B71.8 – 1996, which is sponsored by the Outdoor Power Equipment Institute, Inc., and is published by the American National Standards Institute.



### WARNING

The engine exhaust from this product contains chemicals known to the State of California to cause cancer, birth defects or other reproductive harm.

#### Safety Alert Symbol



This is a safety alert symbol. It is used in this manual and on the unit to alert you to potential hazards. When you see this symbol, read and obey the message that follows it. Failure to obey safety messages could result in personal injury or property damage.

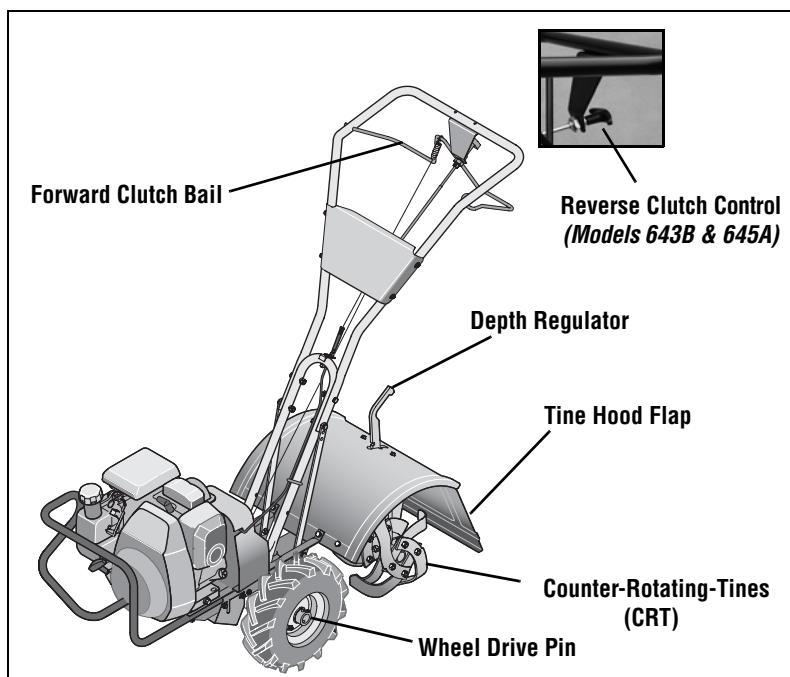


Figure 1-1: Tiller features and controls. See separate Engine Owner's Manual to identify engine controls.



### Training

1. Carefully read this Owner's Manual, the separate Engine Owner's Manual, and any other literature you may receive. Be thoroughly familiar with the controls and the proper use of the tiller and its engine. Know how to stop the unit and disengage the controls quickly.
2. Never allow children to operate the tiller. Never allow adults to operate the tiller without proper instruction.
3. Keep the area of operation clear of all persons, particularly children and pets.
4. Keep in mind that the operator or user is responsible for accidents or hazards occurring to other people, their property, and themselves.

### Preparation

1. Thoroughly inspect the area where the tiller is to be used and remove all foreign objects.
2. Be sure all tiller controls are released and both wheels are in the Wheel Drive position before starting the engine.

3. Do not operate the tiller without wearing adequate outer garments. Avoid loose garments or jewelry that could get caught in moving parts.
4. Do not operate the tiller when barefoot or wearing sandals, sneakers, or light footwear. Wear protective footwear that will improve footing on slippery surfaces.
5. Do not till near underground electric cables, telephone lines, pipes or hoses. If in doubt, contact your telephone or utility company.
6. Warning: Handle fuel with care; it is highly flammable and its vapors are explosive. Take the following precautions:

- a. Store fuel in containers specifically designed for this purpose.
- b. The gas cap shall never be removed or fuel added while the engine is running. Allow the engine to cool for several minutes before adding fuel.
- c. Keep matches, cigarettes, cigars, pipes, open flames and sparks away from the fuel tank and fuel container.
- d. Fill fuel tank outdoors with extreme care. Never fill fuel tank indoors. Use a funnel or spout to prevent spillage.

- e. Replace all fuel tank and container caps securely.
  - f. If fuel is spilled, do not attempt to start the engine, but move the machine away from the area of spillage and avoid creating any source of ignition until fuel vapors have dissipated.
7. Never make adjustments when engine is running (unless recommended by manufacturer).

### Operation

1. Do not put hands or feet near or under rotating parts.
2. Exercise extreme caution when on or crossing gravel drives, walks, or roads. Stay alert for hidden hazards or traffic.
3. After striking a foreign object, stop the engine, remove the wire from the spark plug wire and prevent it from touching the spark plug. Thoroughly inspect the machine for any damage and repair the damage before restarting and operating the machine.
4. Exercise caution to avoid slipping or falling.

5. If the unit should start to vibrate abnormally, stop the engine, disconnect the spark plug wire and prevent it from touching the spark plug, and check immediately for the cause. Vibration is generally a warning of trouble.

6. Stop the engine, disconnect the spark plug wire and prevent it from touching the spark plug, whenever you leave the operating position, before unclogging the tines, or when making any repairs, adjustments or inspections.

7. Take all possible precautions when leaving the machine unattended. Stop the engine. Disconnect the spark plug wire and move it away from the spark plug. Be sure that both wheels are in the Wheel Drive position.

8. Before cleaning, repairing, or inspecting, stop the engine and make certain all moving parts have stopped. Disconnect the spark plug wire and prevent it from touching the spark plug to prevent accidental starting.

9. The flap on the tine hood must be down when operating the tiller.

10. Never use the tiller unless proper guards, plates, or other safety protective devices are in place.

11. Do not run the engine in an enclosed area. Engine exhaust contains carbon monoxide gas, a deadly poison that is odorless, colorless, and tasteless.

12. Keep children and pets away.

**13. Never operate the tiller under engine power if the wheels are in the Freewheel position.** In the Freewheel position, the wheels will not hold the tiller back and the revolving tines could propel the tiller rapidly, possibly causing loss of control. Always engage the wheels with the wheel drive pins in the Wheel Drive position before starting the engine or engaging the tines/wheels with the Forward Clutch Bail (all models) or the Reverse Clutch control (Models 643B & 645A only).

**14. Be aware that the tiller may unexpectedly bounce upward or jump forward if the tines should strike extremely hard packed soil, frozen ground, or buried obstacles like large stones, roots, or stumps.**

**If in doubt about the tilling conditions, always use the following operating precautions to assist you in maintaining control of the tiller:**

a. **Walk behind and to one side of the tiller, using one hand on the handle bars Relax your arm, but use a secure hand grip.**

b. **Use shallower depth regulator settings, working gradually deeper with each pass.**

c. **Use slower engine speeds.**

d. **Clear the tilling area of all large stones, roots or other debris.**

e. **Avoid using downward pressure on the handlebars. If need be, use slight upward pressure to keep the tines from digging too deeply.**

f. **Before contacting hard packed soil at the end of a row, reduce engine speed and lift the handlebars to raise the tines out of the soil.**

g. **In an emergency, stop the tines and wheels by releasing whichever clutch control is engaged. Do not attempt to restrain the tiller.**

15. Do not overload the tiller's capacity by attempting to till too deeply at too fast a rate.

16. Never operate the tiller at high transport speeds on hard or slippery surfaces. Look behind and use care when backing up.

17. Do not operate the tiller on a slope that is too steep for safety. When on slopes, slow down and make sure you have good footing. Never permit the tiller to freewheel down slopes.

18. Never allow bystanders near the unit.

19. Only use attachments and accessories that are approved by the manufacturer of the tiller.

20. Use tiller attachments and accessories when recommended.

21. Never operate the tiller without good visibility or light.

22. Never operate the tiller if you are tired; or under the influence of alcohol, drugs or medication.

23. Operators shall not tamper with the engine-governor settings on the machine; the governor controls the maximum safe operating speed to protect the engine and all moving parts from damage caused by overspeed. Authorized service shall be sought if a problem exists.

24. Do not touch engine parts which may be hot from operation. Let parts cool down sufficiently.

25. Please remember: You can always stop the tines and wheels by releasing the Forward Clutch Bail or on Models 643B & 645A the Reverse Clutch control, (whichever control is engaged), or by moving the ignition switch and/or throttle control lever on the engine to "OFF" or "STOP".

26. To load or unload the tiller, see the instructions in Section 4 of this Manual.

27. Use extreme caution when reversing or pulling the machine towards you.

28. Start the engine carefully according to instructions and with feet well away from the tines.

29. Never pick up or carry a machine while the engine is running.

## Maintenance and Storage

1. Keep the tiller, attachments and accessories in safe working condition.

2. Check all nuts, bolts, and screws for proper tightness to be sure the equipment is in safe working condition.

3. Never store the tiller with fuel in the fuel tank inside a building where ignition sources are present such as hot water and space heaters, furnaces, clothes dryers, stoves, electric motors, etc.). Allow the engine to cool before storing the unit in any enclosure.

4. To reduce the chances of a fire hazard, keep the engine free of grass, leaves, or excessive grease.

5. Store gasoline in a cool, well-ventilated area, safely away from any spark- or flame-producing equipment. Store gasoline in an approved container, safely away from the reach of children.

6. Refer to the Maintenance sections of this Manual and the separate Engine Owner's Manual for instructions if the unit is to be stored for an extended period.

7. Never perform maintenance while the engine is running or the spark plug wire is connected, except when specifically instructed to do so.

8. If the fuel tank has to be drained, do this outdoors.

## Decals

For your safety and the safety of others, various safety and operational decals are located on your unit (see Figure 1-2).

Keep the decals clean and legible at all times. Contact your local service dealer or the factory for replacements if any decals are damaged or missing.

Refer to the Parts List pages in this Manual for decal locations, descriptions and part numbers.

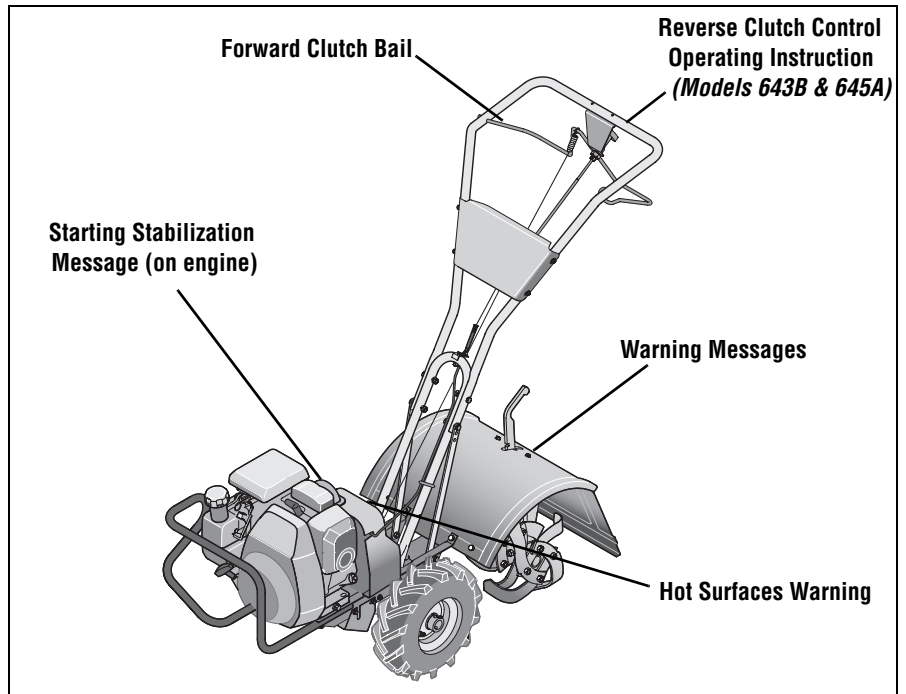


Figure 1-2: Location of safety and operating decals.

## Operating Symbols

Various symbols (shown here, with word descriptions) may be used on the tiller and engine.

NOTE: Your unit may not have all of the symbols.



## WARNING

### TO AVOID SERIOUS INJURY:

- READ THE OWNER'S MANUAL.
- KNOW LOCATIONS AND FUNCTIONS OF ALL CONTROLS.
- KEEP ALL SAFETY DEVICES AND SHIELDS IN PLACE AND WORKING.
- NEVER ALLOW CHILDREN OR UNINSTRUCTED ADULTS TO OPERATE TILLER.
- SHUT OFF ENGINE AND DISCONNECT SPARK PLUG WIRE BEFORE MANUALLY UN-CLOGGING TINES OR MAKING REPAIRS.
- KEEP BYSTANDERS AWAY FROM MACHINE.
- KEEP AWAY FROM ROTATING PARTS.
- USE EXTREME CAUTION WHEN REVERSING OR PULLING THE MACHINE TOWARDS YOU.

## SECTION 2: ASSEMBLY



**WARNING:** To prevent personal injury or property damage, do not start the engine until all assembly steps are complete and you have read and understand the safety and operating instructions in this manual.

### INTRODUCTION

Carefully follow these assembly steps to correctly prepare your tiller for use. It is recommended that you read this Section in its entirety before beginning assembly.

**NOTE:** Various tiller models are presented in this Manual. Use only the information appropriate for your tiller model. Engine styles vary by model. Your engine may appear differently than those illustrated in this manual.

### INSPECT UNIT

Inspect the unit and carton for damage immediately after delivery. Contact the carrier (trucking company) if you find or suspect damage. Inform them of the damage and request instructions for filing a claim. To protect your rights, put your claim in writing and mail a copy to the carrier within 15 days after the unit has been delivered. Contact Troy-Bilt LLC if you need assistance in this matter.

### TOOLS / MATERIALS NEEDED

- (2) 1/2" open-end wrench\*
- (2) 9/16" open-end wrench\*
- (1) 3/8" open-end wrench\*
- (1) Large adjustable wrench (Models 643B & 645A only)
- (1) Scissors (to trim plastic ties)
- (1) Ruler (for belt tension check)
- (1) Block of wood (to support tiller when removing wheels)
- (1) Tire pressure gauge (for models with pneumatic tires)
- (1) Clean oil funnel
- (1) Motor oil. Refer to the Engine Owner's Manual for oil specifications and quantity required.

\* Adjustable wrenches may be used.

### ASSEMBLY STEPS

#### STEP 1: UNPACKING INSTRUCTIONS

**NOTE:** While unpacking, do not severely bend any control cables.

1. The tiller weighs approximately 133 lbs. Do not attempt to remove it from the shipping platform until instructed to do so in these *Assembly* steps.
2. Remove any packaging material from the carton. Remove any staples from the bottom of the carton and remove the carton from the shipping platform.
3. Remove all unassembled parts and the separate hardware bag from the carton. Check that you have the items listed in the *Loose Parts List* (contact your local dealer or the factory items are missing or damaged).

**NOTE:** Use the screw length template (Fig. 2-1) to identify screws.

#### Loose Parts List

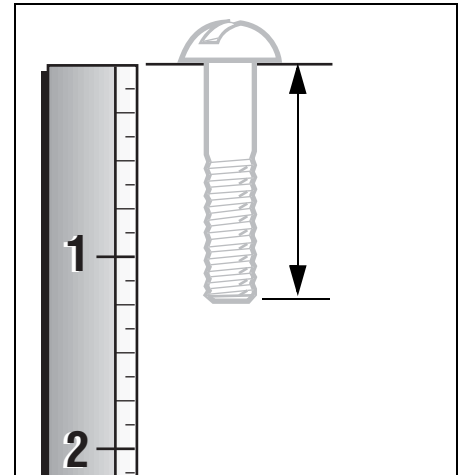
Qty.	Description
1	Handlebar Support (see A, Fig. 2-2)
1	Handlebar Assembly (see K, Fig. 2-2)
<i>Hardware bag contents:</i>	
4	Hex hd. screw, 5/16"-18 x 1-1/2"
2	Hex hd. screw, 3/8"-16 x 3/4"
2	Flat Washer, 3/8"
4	Split lock washer, 5/16"
4	Hex nut, 5/16"-18
2	Hex locknut, 3/8"-16
*Models 643B & 645A only	

**IMPORTANT:** Motor oil must be added to the engine crankcase before the engine is started. Follow the instructions in this Section and in the separate Engine Owner's Manual.

**NOTE:** *LEFT and RIGHT sides of the tiller are as viewed from the operator's position behind the handlebars.*

#### STEP 2: ATTACH HANDLEBAR

1. Loosely attach the legs of the handlebar support (A, Fig. 2-2) to the inner sides of the tiller frame using two 3/8"-16 x 3/4" hex hd. screws (B), 3/8" flat washers, and 3/8"-16 hex locknuts.



**Figure 2-1:** To identify length of screws, place screw on template as shown and measure distance between bottom of screw head and tip of screw.

2. Using two 5/16"-18 x 1-1/2" screws (C), 5/16" split lock washers (D) and 5/16"-18 hex nuts (G), loosely attach the handlebar support (A) using the upper holes. Tighten the two screws securely.

3. There are three height adjustment holes in the two handlebar support brackets (E and F, Fig. 2-2). Use a setting that will position the handlebars at approximately waist level when the tines are 3"-4" into the soil. Loosely attach the support brackets **to the outside** of the handlebar assembly (I) using two 5/16"-18 x 1-1/2" screws (G), 5/16" split lock washers (D) and 5/16"-18 hex nuts (G). **NOTE:** If a support bracket will not move, loosen attaching screw (H) and nut.

**IMPORTANT:** The support brackets must be assembled **to the outside** of the handlebar assembly.

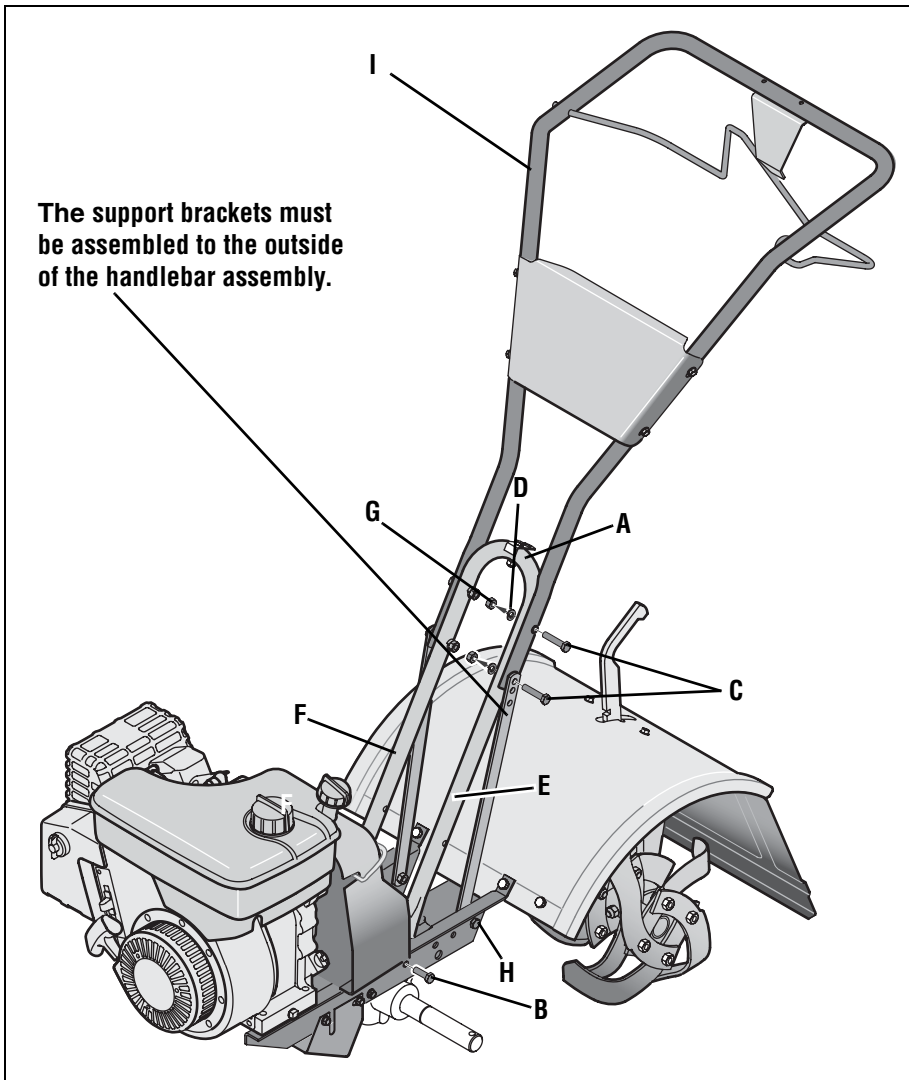
4. Tighten all handlebar mounting hardware securely.

#### STEP 3: MOVE TILLER OFF CRATE

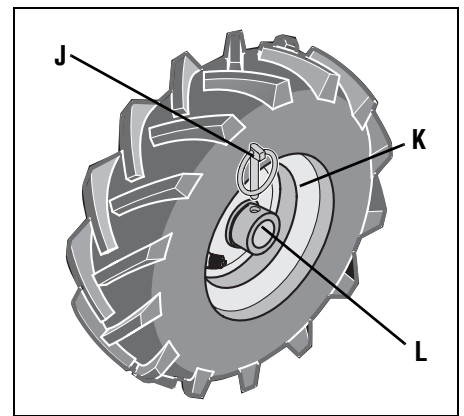
To roll the tiller off the shipping platform, put the wheels in freewheel, as follows:

1. Place a sturdy block under the transmission to raise one wheel about 1" off the ground.
2. Remove the Klik Pin (J, Fig. 2-3) from the wheel hub (K) and wheel shaft (L).
3. Slide the wheel fully inward on the wheel shaft (N, Fig. 2-3). Reinstall the Klik pin (J)





**Fig. 2.2: Attach handlebar.**



**Fig. 2-3: Wheel in FREEWHEEL position (wheel drive pin through wheel shaft only).**

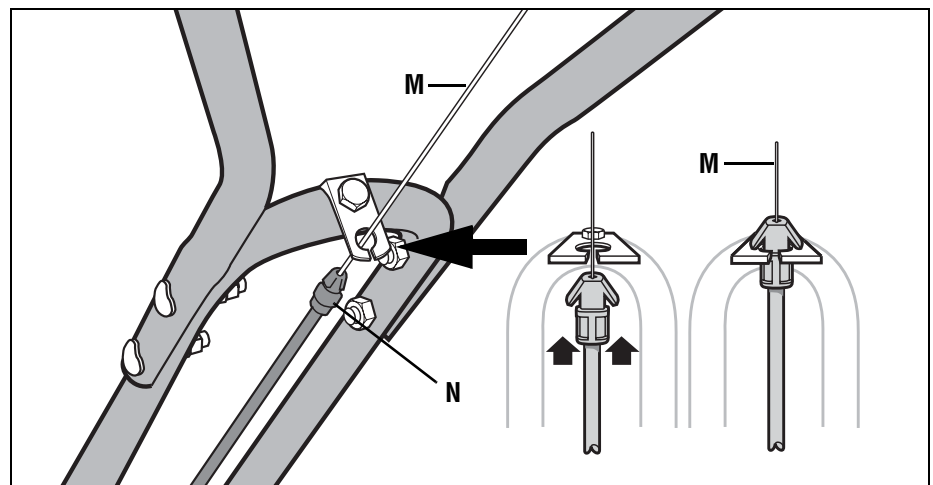
### STEP 4: INSTALL FORWARD CLUTCH CABLE

1. Carefully unwrap the forward clutch cable (cable without an attached knob) from its shipping position and slide the thin cable wire (M, Fig. 2-4) into the slot in the cable bracket. Push the cable connector (N, Fig. 2-4) up through the hole in the bracket until the groove in the connector snaps into place.
2. Thread the #10-24 hex nut (Z, Fig. 2-5) halfway onto the screw (V) which runs through the spring (W, Fig. 2-5).
3. Thread the screw (V) into the cable adjuster (X).

through the wheel shaft (L) only (not through the wheel hub). The wheel should now spin freely (freewheel) on the wheel shaft. Repeat with the other wheel.

4. Use the handlebar to roll the tiller to a flat area.

**IMPORTANT:** Before starting the engine, the wheels must be placed in the WHEEL DRIVE position (pins through wheel hubs and wheel shaft). This procedure is described in *Wheel Drive Pins* on page 10.



**Fig. 2-4: Installing forward clutch cable bracket and cable.**

4. Check for correct tension on the forward drive belt by taking two measurements of the cable spring, as follows:

a. With the Forward Clutch Bail (Y, Fig. 2-6) in an open (released) position, measure the length of the cable spring (W) from the outermost coil to the outermost coil.

b. Squeeze the Forward Clutch Bail against the handlebar (see Fig. 2-7) and re-measure the spring length. The belt tension is correct if this second measurement is between 1/16" to 3/16" longer than the first measurement. If so, turn the hex nut (Z, Fig. 2-7) tightly against the cable adjuster (X) while preventing the cable adjuster from turning.

c. If the spring length is incorrect, you must adjust the cable tension as described in *Checking and Adjusting Forward Drive Belt Tension* in Section 5. Incorrect cable tension can result in belt slippage (cable tension too loose), or unintentional tine movement when the clutch bail is in Neutral (cable tension too tight).

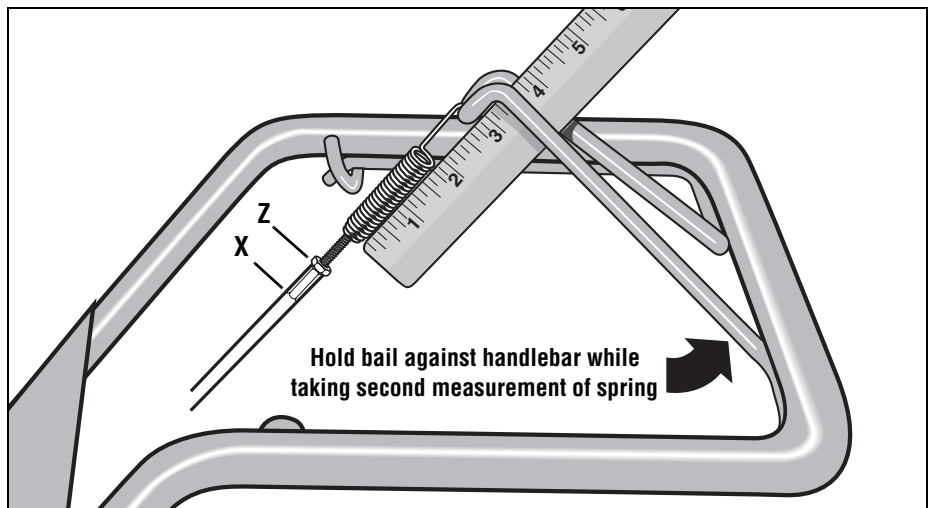


Fig. 2-7: To check forward belt tension, take two measurements of the length of the coils in the spring — first with the bail open, then with the bail held against the handlebar.

### STEP 5: INSTALL REVERSE CLUTCH CABLE (MODELS 643B AND 645A ONLY)

1. Unwrap the reverse clutch cable (CC, Fig. 2-8 and Fig. 2-9) from its shipping position and route it up to the handlebar. Be sure that the cable is routed beneath the Forward Clutch Bail.

2. Insert the cable (CC, Fig. 2-8) through the slot in the cable bracket and position the flat side of the threaded assembly next to the flat side of the hole. Slide the hex nut (DD) up the cable and tighten it securely.

3. Fasten the reverse clutch cable to the left side handlebar with a cable tie (EE, Fig. 2-9).

4. Test the function of the reverse clutch by pulling out and releasing the cable knob. The knob should return to its neutral position (resting against bracket). If it doesn't, contact your local dealer or Troy-Bilt LLC for technical assistance.

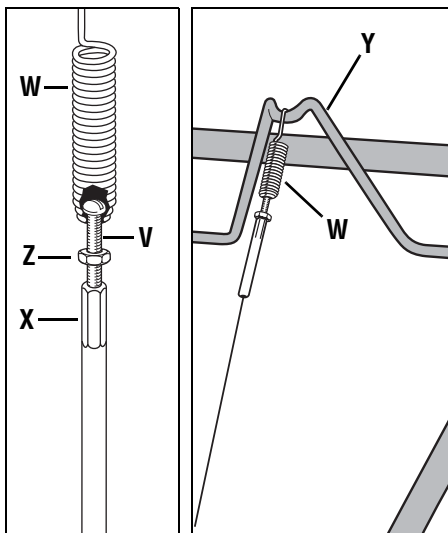


Fig. 2-5: Cable spring and adjuster.

Fig. 2-6: Attach forward clutch cable spring to forward clutch bail.

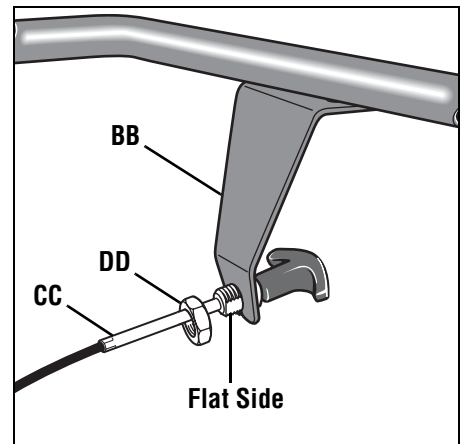


Fig. 2-8: Install reverse cable bracket and reverse clutch cable.

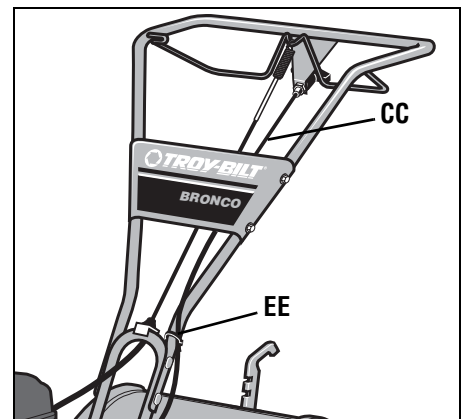


Fig. 2-9: Route reverse clutch cable (CC) as shown. Attach with cable tie (EE).



## STEP 6: CHECK TRANSMISSION OIL LEVEL

The transmission was filled with gear oil at the factory. However, you should check the gear oil level at this time to make certain it is correct.

**IMPORTANT:** Do not operate the tiller if the gear oil level is low. Doing so will result in severe damage to the transmission components.

1. With the tiller on level ground, pull the Depth Regulator Lever (FF, Fig. 2-10) back and then all the way up until the lowest notch in the lever is engaged.
2. Remove the oil fill plug (GG, Fig. 2-11) from the transmission housing cover and locate the main drive shaft situated inside the housing.
3. The gear oil level is correct if the gear oil is approximately halfway up the side of the main drive shaft.
4. If the oil level is low, add gear oil by referring to *A. To Check the Transmission Gear Oil Level* in Section 5.

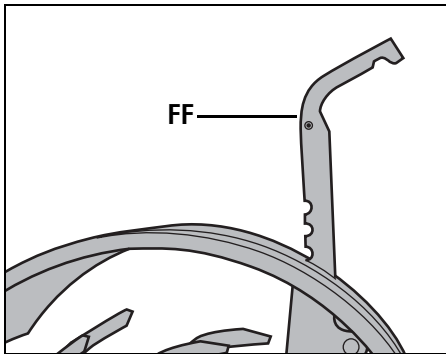


Fig. 2-10: Adjust Depth Regulator Lever.

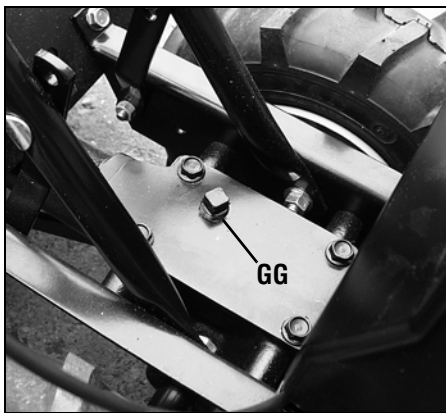


Fig. 2-11: Remove gear oil fill plug.

## STEP 7: ADD MOTOR OIL

The tiller is shipped *without* oil in the engine.

**IMPORTANT:** Do not start the engine without first adding motor oil. Severe engine damage will result if the engine is run without oil.

1. Refer to the separate Engine Owner's Manual for engine oil specifications and capacities.
2. With the tiller on level ground, move the Depth Regulator Lever (FF, Fig. 2-10) up or down until the engine is level.
3. Add motor oil as described in the Engine Owner's Manual.
4. Move the Depth Regulator Lever all the way down until the highest notch is engaged. This places the tines in the "travel" position, which allows the tiller to be moved without the tines touching the ground.

## STEP 8: CHECK HARDWARE

Check all nuts and screws for tightness.

## STEP 9: CHECK AIR PRESSURE IN TIRES (units with pneumatic tires)

Check the air pressure with a tire gauge. Deflate or inflate the tires equally to between 15 PSI and 20 PSI (pounds per square inch). Be sure that both tires are inflated equally or the unit will pull to one side.

**IMPORTANT:** This completes the assembly steps. Before operating your tiller, make sure you read the following sections in this Manual, as well as the separate Engine Owner's Manual:

- Section 1: *Safety*
- Section 3: *Features and Controls*
- Section 4: *Operation*

## SECTION 3: FEATURES AND CONTROLS



**WARNING:** Before operating your machine, carefully read and understand all safety, controls and operating instructions in this Manual, the separate Engine Owner's Manual, and on the decals on the machine. Failure to follow these instructions can result in serious personal injury.

### INTRODUCTION

This Section describes the location and function of the controls on your tiller. Refer to the following Section, *Operation* for detailed operating instructions.

Practice using these controls, with the engine shut off, until you understand the operation of the controls and feel confident with each of them.

### ENGINE CONTROLS

Refer to the engine manufacturer's Engine Owner's Manual (included in the tiller literature package) to identify the controls on your engine.

**IMPORTANT:** The control for stopping the engine is located on the engine.

### WHEEL DRIVE PINS

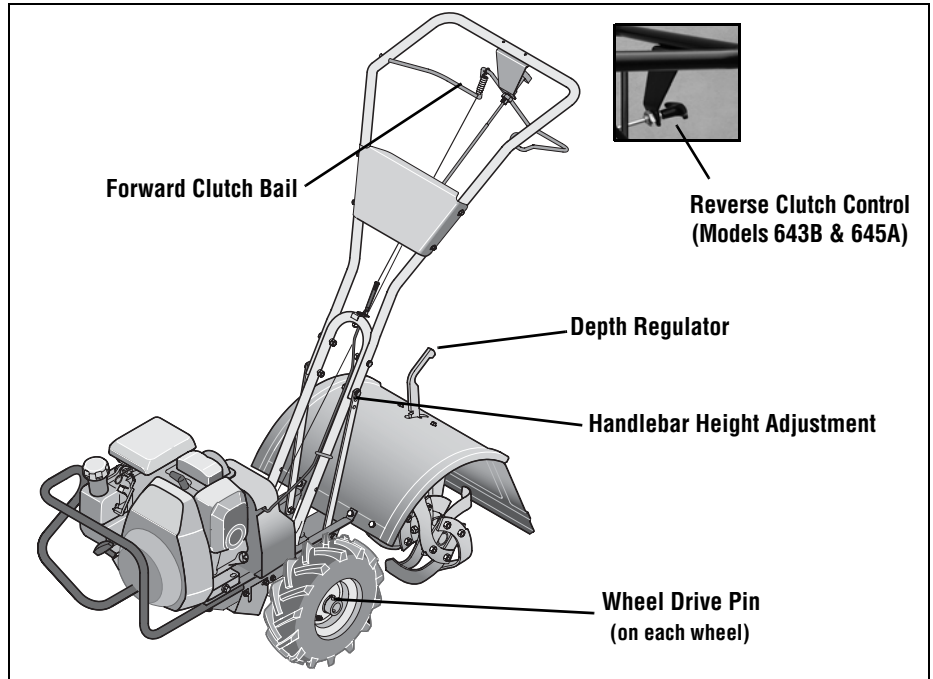
Each wheel is equipped with a wheel drive Klik pin (A, Figures 3-2 and 3-3) that secures the wheel to the wheel shaft (B). The wheels can be positioned in either a WHEEL DRIVE or a FREEWHEEL mode.



**WARNING:** Never allow either of the wheels to be in the FREEWHEEL position when the engine is running. Always put both wheels in the WHEEL DRIVE position before starting the engine.

Failure to comply could cause loss of tiller control, property damage, or personal injury.

Before starting the engine, put both wheels in the WHEEL DRIVE position by inserting the wheel drive Klik pins through the wheel hubs and the wheel shaft. Doing so "locks" the wheels to the wheel shaft, causing the wheels to turn when either the



**Figure 3-1: Tiller features and controls.** See separate Engine Owner's Manual to identify engine controls.

Forward Clutch Bail (all models) or the Reverse Clutch Control (Models 643B & 645A) is engaged.

Use the FREEWHEEL mode only when the engine is not running. In FREEWHEEL, the wheel drive pins are placed only through the holes in the wheel shaft (not the wheel hubs), thus allowing the wheels to turn freely when you manually move the tiller.

### To place the wheels in WHEEL DRIVE or FREEWHEEL:

1. Stop engine, disconnect spark plug wire from spark plug and allow engine to cool.



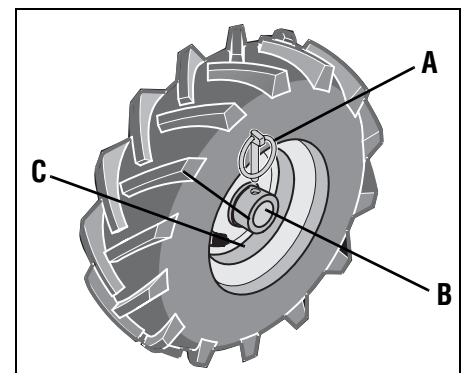
**WARNING:** Do not place tiller on its side when changing wheel drive positions. Doing so could result in gasoline leaking from the fuel tank.

Failure to follow this instruction could result in personal injury or property damage.

2. Raise one wheel about one inch off the ground and place a sturdy support under the transmission.

3. Remove Klick Pin (A, Figures 3-2 and 3-3) from wheel drive shaft (B).

4. **FOR WHEEL DRIVE MODE** (Figure 3-2): Slide wheel outward and align holes in



**Figure 3-2: WHEEL DRIVE position.**

wheel hub (D, Figure 3-2) and wheel shaft (B). Insert Klick pin (A) through wheel hub (C) and wheel shaft (B). Repeat with the other wheel and then remove the support from beneath the transmission.

5. **FOR FREEWHEEL MODE** (Figure 3-3): Slide the wheel inward and insert the Klick pin (A, Figure 3-3) only through the hole in the wheel shaft (B). Repeat for the other wheel and then remove the support from beneath the transmission.

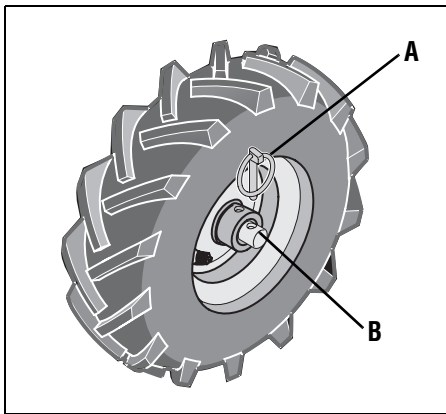


Figure 3-3: FREEWHEEL position.



**WARNING:** Before starting engine, be sure that both wheels are in WHEEL DRIVE position. See *Wheels Drive Pins* for instructions.

Engaging the Forward Clutch Bail or Reverse Clutch Control (if equipped) when the wheels are not in WHEEL DRIVE could allow the tines to rapidly propel the tiller forward or backward. Failure to comply could cause loss of tiller control, property damage, or personal injury.

### FORWARD CLUTCH BAIL

The Forward Clutch Bail (D, Figure 3-4) controls the engagement of forward drive to the wheels and tines.

#### To operate the Forward Clutch Bail:

1. Put wheels in WHEEL DRIVE position (see “WARNING” statement above).
2. Lift and hold the clutch bail (D, Figure 3-4) against the handlebar to start the wheels and tines rotating in a forward direction.
3. Release the clutch bail to disengage (stop) the wheels and tines (the engine will continue to run).

### REVERSE CLUTCH CONTROL (Models 643B & 645A only)

The Reverse Clutch Control (E, Figure 3-4) controls the engagement of reverse drive to the wheels and tines. **The reversing feature is used for maneuvering the tiller only — never engage the tines in the ground while operating in reverse.**



**WARNING:** Use extreme caution when reversing or pulling the machine towards you. Look behind to avoid obstacles. Never attempt to till in reverse. Failure to follow this warning could result in personal injury or property damage.

#### To operate the Reverse Clutch Control:

1. Put wheels in WHEEL DRIVE position (see “WARNING” statement at the left).
2. Stop all tiller motion by releasing the Forward Clutch Bail.
3. Lift the handlebar until the tines clear the ground, look behind you to avoid any obstacles, and then pull the control knob (E, Figure 3-4) out. The wheels and tines will rotate in a reverse direction.
4. Release the control knob to disengage (stop) the wheels and tines (the engine will continue to run).

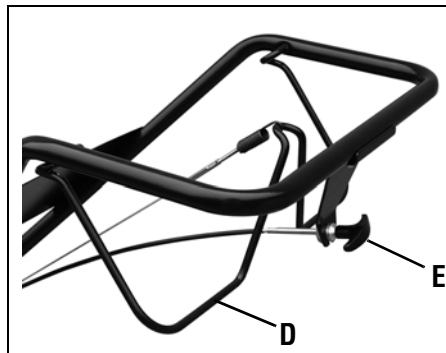


Figure 3-4: All models have a Forward Clutch Bail (E). Only Model 634A have a Reverse Clutch Control (F).

### DEPTH REGULATOR LEVER

This lever (F, Figure 3-5) controls the tilling depth of the tines. Pull the lever back and slide it up or down to engage the notched height settings.

The “travel position” (highest notch) raises the tines approximately 1-1/2” off the ground, allowing the tiller to be moved without the tines contacting the ground. This setting should also be used when starting the engine.

Moving the lever upward will increase the tilling depth. The lowest notch allows a tilling depth of approximately 6”, depending on soil conditions. For best results, always

begin tilling at a very shallow depth setting and gradually increase the tilling depth.



**WARNING:** Do not attempt to till too deeply too quickly. Gradually work down to deeper tilling depths. Place the Depth Regulator Lever in the “travel” position before starting the engine. This position prevents the tines from touching the ground until you are ready to begin tilling. Failure to follow this warning could result in personal injury or property damage.

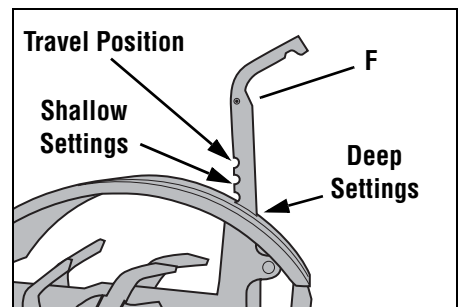


Figure 3-5: Depth Regulator Lever (G).

### HANDLEBAR HEIGHT ADJUSTMENT

The handlebar height is adjustable to three different settings (Figure 3-6). In general, adjust the handlebars so they are at waist level when the tines are 3”-4” in the soil.

#### To adjust the handlebars:

1. Stop engine, disconnect spark plug wire from spark plug and allow engine to cool.
2. Remove hardware, reposition handlebars, and reinstall hardware securely.

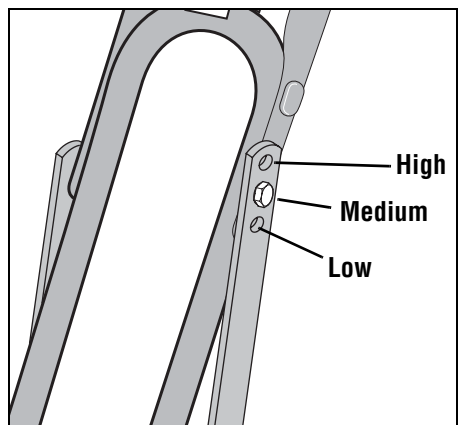


Figure 3-6: Handlebar height adjustment.

## SECTION 4: OPERATION



**WARNING:** Before operating your machine, carefully read and understand all safety (Section 1), controls (Section 3) and operating instructions (Section 4) in this Manual, the separate Engine Owner's Manual, and on the decals on the machine. Failure to follow these instructions can result in serious personal injury.

### INTRODUCTION

Read this *Operation* Section and the separate Engine Owner's Manual before you start the engine. Then, take the time to familiarize yourself with the basic operation of the tiller before using it in the garden. Find an open, level area and practice using the tiller controls without the tines engaging the soil (put tines in "travel" setting). Only after you've become completely familiar with the tiller should you begin using it in the garden.

### BREAK-IN OPERATION

Perform the following maintenance after the first two (2) hours of new operation (see *Maintenance* Section in this manual and in the Engine Owner's Manual).

1. Change engine oil.
2. Check for loose or missing hardware on unit. Tighten or replace as needed.
3. Check tension on forward drive belt.
4. Check transmission gear oil level.

### STARTING AND STOPPING

#### Pre-Start Checklist

With the spark plug wire disconnected from the spark plug, perform the following checks and services before each use:

1. Read the *Safety* and *Controls* Sections in this manual. Read the separate Engine Owner's Manual provided with the unit.
2. Put the wheels in the WHEEL DRIVE position (wheel pins must be through holes in wheel hubs and wheel shaft).
3. Check unit for loose or missing hardware. Service as required.
4. Check engine oil level. See Engine Owner's Manual.

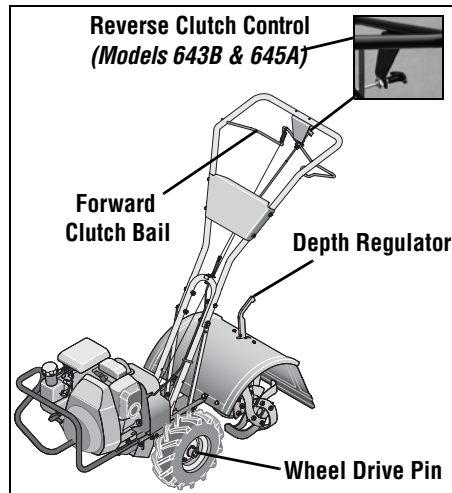


Fig. 4-1

5. Check that all safety guards and covers are in place.
6. Check air cleaner and engine cooling system. See Engine Owner's Manual.



**WARNING:** GASOLINE IS HIGHLY FLAMMABLE AND ITS VAPORS ARE EXPLOSIVE.

Follow gasoline safety rules in this Manual (see Section 1) and in the separate Engine Owner's Manual.

Failure to follow gasoline safety instructions can result in serious personal injury and property damage.

7. Fill the fuel tank with gasoline according to the directions in the separate Engine Owner's Manual. Follow all instructions and safety rules carefully.
8. Attach spark plug wire to spark plug.

#### Starting the Engine

The following steps describe how to start and stop the engine.



**WARNING:** Do not attempt to engage the tines or wheels until you have read all of the operating instructions in this Section. Also, review the safety rules in Section 1: *Safety*, and the tiller and engine controls information in Section 3: *Features and Controls*.

1. Complete the *Pre-Start Checklist* on this page.
2. Put the wheels in the WHEEL DRIVE position (see *Wheel Drive Pins* in Section 3 of this manual).



**WARNING:** To help prevent serious personal injury or damage to equipment:

- Before starting engine, put both wheels in the WHEEL DRIVE position. Never have wheels in FREEWHEEL position when engine is running. When the wheels are in FREEWHEEL, they do not hold back the tiller and the tines could propel the tiller rapidly forward or backward.
- Before starting engine, put Forward Clutch Bail (all models) and Reverse Clutch Control (Models 643B & 645A only) in neutral (disengaged) positions by releasing levers.
- Never run engine indoors or in enclosed, poorly ventilated areas. Engine exhaust contains carbon monoxide, an odorless and deadly gas.
- Avoid engine muffler and nearby areas. Temperatures in these areas may exceed 150° F.

3. Move the Depth Regulator Lever all the way down to the "travel" position, so that the tines clear the ground.
4. Release all controls on the tiller.
5. On engine's with a fuel shut-off valve, turn valve to open position, as instructed in the separate Engine Owner's Manual.
6. Put ignition switch and/or throttle control lever located on engine in the "ON", "RUN", "FAST" or "START" position, as instructed in the Engine Owner's Manual.
7. Choke or prime engine, as instructed in Engine Owner's Manual.
8. Put one hand on fuel tank to stabilize unit when pulling starter rope handle. Then use recoil starter to start engine, as instructed in the Engine Owner's Manual. When engine starts, gradually move choke lever (if so equipped) to "NO CHOKE", "CHOKE OFF" or "RUN" position.
9. Use the "FAST" throttle speed setting when tilling.





### Stopping the Engine and Tiller

1. To stop the wheels and tines, release the Forward Clutch Bail (all models) or the Reverse Clutch Control (Models 643B & 645A) — whichever control is in use.
2. To stop the engine, put the ignition switch and/or the throttle control lever in the “OFF” or “STOP” position.

### OPERATING THE TILLER

The following operating instructions provide guidelines to using your tiller effectively and safely. Be sure to read *Tilling Tips & Techniques* in this Section before actually putting the tines into the soil.

This is a “Counter-Rotating-Tine” (CRT) tiller. It operates differently from “Standard-Rotating-Tine” (SRT) tillers. As the wheels pull forward, the tines rotate backward, creating an “uppercut” action which digs deeply, uprooting soil and weeds.

1. Follow the *Pre-Start Checklist* at the beginning of this Section. Be sure that the wheels are in the WHEEL DRIVE position.
2. Move the Depth Regulator Lever all the way down, so that the tines clear the ground. Use this position when practicing with the tiller and when traveling between tilling sites. Before actually tilling, move the lever to the desired depth setting (see *Tilling Tips & Techniques*).



**Fig. 4-2:** Use one hand to guide tiller when moving forward.

3. Start engine and allow it to warm up. Then put throttle in “FAST” setting.
4. For *forward* motion of the wheels and power to the tines:
  - (a) Pull Forward Clutch Bail (Fig. 4-1) up against handlebar. Release bail to stop forward motion of wheels and tines.
  - (b) When tilling, relax and let the wheels pull the unit while the tines dig. Walk behind and a little to one side of the unit. Use one hand, yet keep a light—but secure—grip on the handlebar (while keeping your arm loose). See Fig. 4-2. Let the unit move at its own pace and do not push down on the handlebars to try and force the tines to dig deeper — this takes weight off the wheels and reduces traction.



**WARNING:** Do not push down on the handlebars to try to make the tiller till more deeply. This prevents the wheels from holding the tiller back and can allow the tines to rapidly propel the tiller forward, which could result in loss of control, property damage, or personal injury.

5. For *reverse* motion of the wheels and tines (Models 643B & 645A only):
  - (a) Look behind and exercise caution when operating in reverse. **Do not till while in reverse.**
  - (b) Stop all forward motion. Lift handlebar with one hand until tines are off the ground and then pull Reverse Clutch Control knob out (see Fig. 4-3). To stop reversing, let go of Reverse Clutch Control knob.



**Fig. 4-3:** Raise tines off ground and look behind when moving in reverse.

6. To move the Model 643C in reverse for short distances:
  - (a) Release forward Clutch Bail. Then lift handlebar until tines are off the ground.

- (b) Swing the handlebar to the left so the right wheel takes a “step” backward. Next swing the handlebar to the right so the left wheel “steps” backward. Repeat as needed.
- (c) If longer distances need to be covered in reverse, shut off the engine, then place the two wheels in FREEWHEEL.

### 7. To Turn the Tiller Around:

- (a) Practice turning the tiller in a level, open area. Be very careful to keep your feet and legs away from the tines.
- (b) To begin a turn, lift the handlebars until the tines are out of the ground and the engine and tines are balanced over the wheels (Fig. 4-4).
- (c) With tiller balanced, push sideways on handlebar to steer in direction of turn (Fig. 4-5). After turning, slowly lower tines into soil to resume tilling.



**Fig. 4-4:** To begin turn, lift handlebars until tines are out of ground and unit is balanced.



**Fig. 4-5:** With tines out of ground, push handlebars sideways to turn tiller.

### Stopping the Tiller and Engine

1. To stop the wheels and tines, release the Forward Clutch Bail (all models) or the Reverse Clutch Control (Models 643B & 645A) — whichever control is in use.
2. To stop the engine, put the ignition switch and/or the throttle control lever in the “OFF” or “STOP” position.

## TILLING TIPS & TECHNIQUES

### Tilling Depths



**WARNING:** Before tilling, contact your telephone or utilities company and inquire if underground equipment or lines are used on your property. Do not till near buried electric cables, telephone lines, pipes or hoses.

- This is a CRT (counter-rotating tine) tiller. As the wheels pull forward, the tines rotate backward. This creates an “uppercut” tine action which digs deeply, uprooting soil and weeds. Don’t overload the engine, but dig as deeply as possible on each pass. On later passes, the wheels may tend to spin in the soft dirt. Help them along by lifting up slightly on the handlebar (one hand, palm up, works most easily).
- Avoid the temptation to push down on the handlebars in an attempt to force the tiller to dig deeper. Doing so takes the weight off the powered wheels, causing them to lose traction. Without the wheels to hold the tiller back, the tines will attempt to propel the tiller backward, towards the operator. (Sometimes, slight downward pressure on the handlebars will help get through a particularly tough section of sod or unbroken ground, but in most cases this won’t be necessary.)
- When cultivating (breaking up surface soil around plants to destroy weeds, see Fig. 4-9), a just the tines to dig only 1" to 2" deep. Using shallow tilling depths helps prevent injury to plants whose roots often grow close to the surface. If needed, lift up on the handlebars slightly to prevent the tines from digging too deeply. (Cultivating on a regular basis not only eliminates weeds, it also loosens and aerates the soil for better moisture absorption and faster plant growth.) Watering the garden area a few days prior to tilling will make tilling easier, as will letting the newly worked soil set for a day or two before making a final, deep tilling pass.

### Choosing Correct Wheel & Tine Speeds

With experience, you will find the “just right” tilling depth and tilling speed combination that is best for your garden.

Set the engine throttle lever at a speed to give the engine adequate power and yet allow it to operate at the slowest possible speed...at least until you have achieved the maximum tilling depth you desire. Faster engine speeds may be desirable when making final passes through the seedbed or when cultivating. Selection of the correct engine speed, in relation to the tilling depth, will ensure a sufficient power level to do the job without causing the engine to labor.

#### Let the Tiller Do the Work

While tilling, relax and let the wheels pull the tiller along while the tines do the digging. Walk on the side that is not yet finished (to avoid making footprints in the freshly tilled soil) and lightly, but securely grip the handlebar with just one hand.

#### Avoid Making Footprints

Whenever possible, walk on the untilled side of the unit to avoid making footprints in your freshly tilled or cultivated soil. Footprints cause soil compaction that can hamper root penetration and contribute to soil erosion. They can also “plant” unwanted weed seeds back into the freshly tilled ground.

#### Avoid Tilling Soggy, Wet Soil

Tilling wet soil often results in large, hard clumps of soil that can interfere with planting. If time permits, wait a day or two after heavy rains to allow the soil to dry before tilling. Test soil by squeezing it into a ball. If it compresses too easily, it is too wet to till.

### Preparing Seedbeds

• When preparing a seedbed, go over the same path twice in the first row, then overlap one-half the tiller width on the rest of the passes (see Fig. 6). When finished in one direction, make a second pass at a right angle, as shown in Fig. 4-7. Overlap each pass for best results (in very hard ground, it may take three or four passes to thoroughly pulverize the soil.)

• If the garden size will not permit lengthwise and then crosswise tilling, then overlap the first passes by one-half a tiller width, followed by successive passes at one-quarter width (see Fig. 4-8).



Fig. 4-8



Fig. 4-6

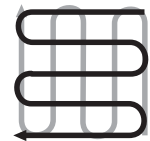


Fig. 4-7

### Cultivating

With planning, you can allow enough room between rows to cultivate (see Fig. 4-9). Leave room for the hood width, plus enough extra room for future plant growth.

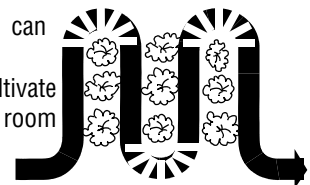


Fig. 4-9



## TILLING TIPS & TECHNIQUES (CON'T)

### Tilling On Slopes

#### Read the following recommendations before tilling on slopes:

If you must garden on a moderate slope, please follow two very important guidelines:

1. Till only on moderate slopes, never on steep ground where footing is difficult (review safety rules in Section 1: *Safety* of this manual).
2. We recommend tilling up and down slopes rather than terracing. Tilling vertically on a slope allows maximum planting area and also leaves room for cultivating.

**IMPORTANT:** When tilling on slopes, be sure the correct oil level is maintained in the engine (check every one-half hour of operation). The incline of the slope will cause the oil to slant away from its normal level and this can starve engine parts of required lubrication. Keep the motor oil level at the full point at all times!

#### Tilling Up and Down Slopes (Vertical Tilling)

- To keep soil erosion to a minimum, be sure to add enough organic matter to the soil so that it has good moisture-holding texture and try to avoid leaving footprints or wheel marks.
- When tilling vertically, try to make the first pass uphill as the tiller digs more deeply going uphill than it does downhill. In soft soil or weeds, you may have to lift the handlebars slightly while going uphill. When going downhill, overlap the first pass by about one-half the width of the tiller.



**WARNING:** Do not operate tiller on a slope too steep for safe operation. Till slowly and be sure you have good footing. Never permit tiller to freewheel down slopes. Failure to follow this warning could result in personal injury.

### Clearing the Tines

The tines have a self-clearing action which eliminates most tangling of debris in the tines. However, occasionally dry grass, stringy stalks or tough vines may become tangled. Follow these procedures to help avoid tangling and to clean the tines, if necessary.

- To reduce tangling, set the depth regulator deep enough to get maximum "chopping" action as the tines chop the material against the ground. Also, try to till under crop residues or cover crops while they are green, moist and tender.
- While tilling, try swaying the handlebars from side to side (about 6" to 12"). This "fishtailing" action often clears the tines of debris.
- If tangling occurs, lift the tines out of the soil and run the tiller in reverse (if unit is equipped with powered reverse) for a few feet. This reversing action should unwind a good deal of debris.

- It may be necessary to remove the debris by hand (a pocket knife will help you to cut away the material). Be sure to stop the engine and disconnect the spark plug wire before clearing the tines by hand.



**WARNING:** Before clearing the tines by hand, stop the engine, allow all moving parts to stop and disconnect the spark plug wire. Remove the ignition key on electric start models. Failure to follow this warning could result in personal injury.

### Loading and Unloading the Tiller



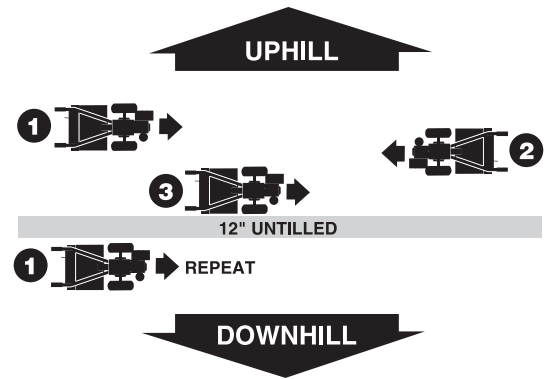
**WARNING:** Loading and unloading the tiller into a vehicle is potentially hazardous and we don't recommend doing so unless absolutely necessary, as this could result in personal injury or property damage. However, if you must load or unload the tiller, follow the guidelines given next.

- Before loading or unloading, stop the engine, wait for all parts to stop moving, disconnect the spark plug wire and let the engine and muffler cool.
- The tiller is too heavy and bulky to lift safely by one person. Two or more people should share the load.
- Use sturdy ramps and manually (engine shut off) roll the tiller into and out of the vehicle. Two or more people are needed to do this.
- The ramps must be strong enough to support the combined weight of the tiller and any handlers. The ramps should provide good traction to prevent slipping; they should have side rails to guide the tiller along the ramps; and they should have a locking device to secure them to the vehicle.
- The handlers should wear sturdy footwear that will help to prevent slipping.
- Position the loading vehicle so that the ramp angle is as flat as possible (the less incline to the ramp, the better). Turn the vehicle's engine off and apply its parking brake.
- When going up ramps, stand in the normal operating position and push the tiller ahead of you. Have a person at each side to turn the wheels.
- When going down ramps, walk backward with the tiller following you. Keep alert for any obstacles behind you. Position a person at each wheel to control the speed of the tiller. Never go down ramps tiller-first, as the tiller could tip forward.
- Place wooden blocks on the downhill side of the wheels if you need to stop the tiller from rolling down the ramp. Also, use the blocks to temporarily keep the tiller in place on the ramps (if necessary), and to chock the wheels in place after the tiller is in the vehicle.
- After loading the tiller, prevent it from rolling by engaging the wheels in the WHEEL DRIVE position. Chock the wheels with blocks and securely tie the tiller down.

## TILLING TIPS & TECHNIQUES (CON'T)

### Terrace Gardening (continued)

- To create a terrace, start at the top of the slope and work down. Go back and forth across the first row as shown in Fig. 4-10.
- Each succeeding lower terrace is started by walking below the terrace you're preparing. For added stability of the tiller, always keep the uphill wheel in the soft, newly tilled soil. Do not till the last 12" or more of the downhill outside edge of each terrace. This untilled strip helps prevent the terraces from breaking apart and washing downhill. It also provides a walking path between rows.



*Fig. 4-10*

### LOADING AND UNLOADING THE TILLER



**WARNING:** Loading and unloading the tiller into a vehicle is potentially hazardous and we don't recommend doing so unless absolutely necessary, as this could result in personal injury or property damage. However, if you must load or unload the tiller, follow the guidelines given next.

- Before loading or unloading, stop the engine, wait for all parts to stop moving, disconnect the spark plug wire and let the engine and muffler cool.
- The tiller is too heavy and bulky to lift safely by one person. Two or more people should share the load.
- Use sturdy ramps and manually (engine shut off) roll the tiller into and out of the vehicle. Two or more people are needed to do this.
- The ramps must be strong enough to support the combined weight of the tiller and any handlers. The ramps should provide good traction to prevent slipping; they should have side rails to guide the tiller along the ramps; and they should have a locking device to secure them to the vehicle.
- The handlers should wear sturdy footwear that will help to prevent slipping.
- Position the loading vehicle so that the ramp angle is as flat as possible (the less incline to the ramp, the better). Turn the vehicle's engine off and apply its parking brake.
- When going up ramps, stand in the normal operating position and push the tiller ahead of you. Have a person at each side to turn the wheels.
- When going down ramps, walk backward with the tiller following you. Keep alert for any obstacles behind you. Position a person at each wheel to control the speed of the tiller. Never go down ramps tiller-first, as the tiller could tip forward.
- Place wooden blocks on the downhill side of the wheels if you need to stop the tiller from rolling down the ramp. Also, use the blocks to temporarily keep the tiller in place on the ramps (if necessary), and to chock the wheels in place after the tiller is in the vehicle.
- After loading the tiller, prevent it from rolling by engaging the wheels in the WHEEL DRIVE position. Chock the wheels with blocks and securely tie the tiller down.

## SECTION 5: MAINTENANCE



**WARNING:** Before inspecting, cleaning or servicing the machine, shut off engine, wait for all moving parts to come to a complete stop, disconnect spark plug wire and move wire away from spark plug. Remove ignition key on electric start models.

Failure to follow these instructions can result in serious personal injury or property damage.

### MAINTENANCE SCHEDULE

PROCEDURE	NOTES
Check motor oil level	2, 3
Clean engine	2, 7
Check drive belt tension	1, 4
Check nuts and bolts	1, 4
Change motor oil	4, 6, 9
Lubricate tiller	4
Service engine air cleaner system	7
Check gear oil level in transmission	1, 5
Check tines for wear	5
Check air pressure in tires (if unit has pneumatic tires)	5
Service spark plug	7

#### NOTES

- 1 - Check after first 2 hours of break-in operation.
- 2 - Before each use.
- 3 - Every 5 operating hours.
- 4 - Every 10 operating hours.
- 5 - Every 30 operating hours.
- 6 - Change more frequently in dusty conditions.
- 7 - See Engine Owner's Manual for service recommendations.
- 8 - Whichever time interval occurs first.
- 9 - Change after first 2 hours of break-in

### TILLER LUBRICATION

After every 10 operating hours, oil or grease the lubrication points shown in Figure 5-1 and described below.

Use clean lubricating oil (#30 weight motor oil is suitable) and clean general purpose grease (grease containing a metal lubricant is preferred, if available).

- Remove the wheels, clean the wheel shaft (A, Fig. 5-1) and apply a thin coating of grease to the wheel shaft.
- Grease the back, front and sides of the depth regulator lever (B, Fig. 5-1).
- Remove the tines and clean the tine shaft (C, Fig. 5-1). Use a file or sandpaper to gently remove any rust, burrs or rough spots (especially around holes in shaft). Apply grease to ends of shaft before installing tines.
- Oil the threads on the handlebar height adjustment screws and the handlebar attaching screws (D, Fig. 5-1).

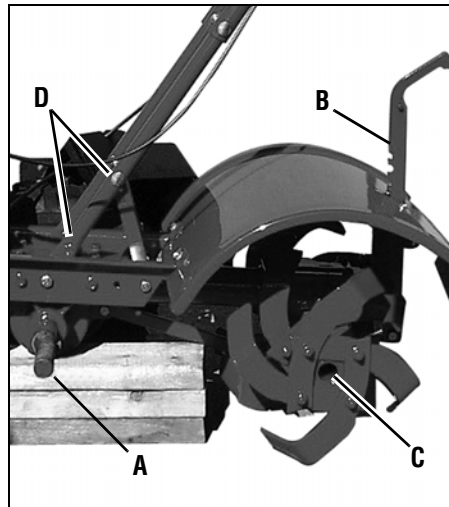


Figure 5-1

### CHECK FOR OIL LEAKS

Before each use, check the tiller for signs of an oil leak — usually a dirty, oily accumulation either on the unit or on the floor.

A little seepage around a cover or an oil seal is usually not a cause for alarm. However, if the oil drips overnight, then immediate attention is needed. *Ignoring an oil leak can result in severe transmission damage!*

If a cover is leaking, check for loose screws. If the screws are tight, a new gasket or oil seal may be required.

If the leak is from around a shaft and oil seal, the oil seal probably needs to be replaced. See your authorized dealer or contact the factory for service or advice.

**IMPORTANT:** Never operate the tiller if the transmission is low on oil. Check the oil level after every 30 hours of operation and whenever there is any oil leakage.

### CHECK HARDWARE

Check for loose or missing hardware after every 10 operating hours and tighten or replace (as needed) before reusing tiller

Be sure to check the screws underneath the tiller hood that secure the transmission cover and the Depth Regulator Lever to the transmission.

### CHECK TIRE PRESSURE (Models with pneumatic tires)

Check the air pressure in both tires. The air pressure should be between 15 PSI and 20 PSI (pounds per square inch).

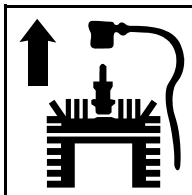
Keep both tires equally inflated to help prevent machine from pulling to one side.

### TRANSMISSION GEAR OIL SERVICE

Check the transmission gear oil level after every 30 hours of operation or whenever you notice any oil leak. Operating the tiller when the transmission is low on oil can result in severe damage.

#### A. To Check the Transmission Gear Oil Level:

1. Check the gear oil level when the transmission is cool. Gear oil will expand in warm operating temperatures and this expansion will provide an incorrect oil level reading.
2. With the tiller on level ground, pull the Depth Regulator Lever all the way up.
3. Remove the oil fill plug (A, Fig. 5-2) from the transmission housing and look inside the oil fill hole to locate the main drive shaft situated below the hole.

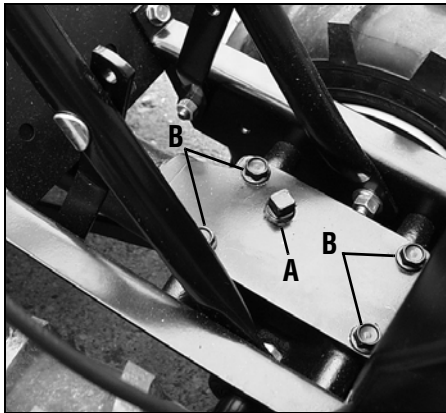


**WARNING:** Before inspecting, cleaning or servicing the machine, shut off engine, wait for all moving parts to come to a complete stop, disconnect spark plug wire and move wire away from spark plug. Failure to follow these instructions can result in serious personal injury or property damage.

4. The gear oil level is correct if the gear oil is approximately halfway up the side of the main drive shaft.

5. If the gear oil level is low, add gear oil as described next. If the gear oil level is okay, securely replace the oil fill plug.

**IMPORTANT:** Do not operate the tiller if the gear oil level is low. Doing so will result in severe damage to the transmission components.



**Figure 5-2:** Remove oil fill plug (A) to check gear oil level and to add gear oil. Remove four cover screws (B) to drain gear oil.

6. If adding only a few ounces of gear oil, use API rated GL-4 or GL-5 gear oil having a viscosity of SAE 140, SAE 85W-140 or SAE 80W-90. If refilling an empty transmission, use only GL-4 gear oil having a viscosity of SAE 85W-140 or SAE 140.

**IMPORTANT:** Do not use automatic transmission fluid or motor oil in the transmission.

7. While checking frequently to avoid overfilling, slowly add gear oil into the oil fill hole until it reaches the halfway point on the drive shaft.

8. Securely replace the oil fill plug.

#### **B. To Drain the Transmission Gear Oil:**

The transmission gear oil does not need to be changed unless it has been contaminated with dirt, sand or metal particles.

1. Drain gasoline from the fuel tank or run the engine until the fuel tank is empty. See "DANGER" statement below.



**WARNING:** Gasoline is highly flammable and its vapors are explosive. Follow these safety practices to prevent personal injury or property damage from fire or explosion.

- Allow the engine and muffler to cool for at least two minutes before draining the tiller's gasoline tank.
- Do not allow open flames, sparks, matches or smoking in the area.
- Wipe away spills and push tiller away from spilled fuel.
- Use only an approved fuel container and store it safely out of the reach of children.
- Do not store gasoline in an area where its vapors could reach an open flame or spark, or where ignition sources are present (such as hot water and space heaters, furnaces, clothes dryers, stoves, electric motors, etc.)

2. Drain the oil from the engine.

3. Remove four screws (B, Figure 5-2) and remove transmission cover and gasket.

4. Remove the left-side wheel.

5. Tilt the left-side wheel shaft into a drain pan and allow the gear oil to drain through the top of the transmission.

6. Reinstall the wheel.

7. Install a new gasket (do not reuse old gasket) and reinstall the transmission cover.

8. Refill the transmission using GL-4 gear oil (SAE 85W-140 or SAE 140).

9. Refill the engine with motor oil and replenish the fuel tank with gasoline.

#### **BOLO TINES**

The bolo tines will wear with use and should be inspected at the beginning of each tilling season and after every 30 operating hours. The tines can be replaced either individually or as a complete set. See the Parts List pages for tine identification and part numbers.

##### **A. Tine Inspection:**

With use, the tines will become shorter, narrower and pointed. Badly worn tines will result in a loss of tilling depth, and reduced effectiveness when chopping up and turning under organic matter.

##### **B. Removing/Installing a Single Tine:**

1. With the engine shut off and the spark plug wire disconnected, remove the two screws (A, Figure 5-3) and nuts (B) that attach a single tine to a tine holder. If needed, use penetrating oil on the nuts.

2. When installing a single tine, be sure to position it so that its *cutting edge (sharp)* will enter the soil first as the tiller moves forward.

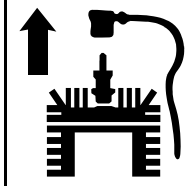

##### **C. Removing/Installing a Tine Assembly:**

1. A tine assembly consists of eight tines mounted on a tine holder.

2. If removing both tine assemblies, mark them "left" and "right" before removal. Remove the screw (C, Figure 5-3) and locknut (D) that secure the tine assembly to the tine shaft. If necessary, use a rubber mallet to tap the tine assembly outward off the shaft.

3. Before reinstalling the tine assembly, inspect the tine shaft for rust, rough spots or burrs. Lightly file or sand, as needed. Apply a thin coat of grease to the shaft.

4. Install each tine assembly so that *the cutting (sharp) edge of the tines will enter the soil first when the tiller moves forward*. Secure the tine assembly to the tine shaft using the screw and locknut

**WARNING:** Before inspecting, cleaning or servicing the machine, shut off engine, wait for all moving parts to come to a complete stop, disconnect spark plug wire and move wire away from spark plug. Failure to follow these instructions can result in serious personal injury or property damage.

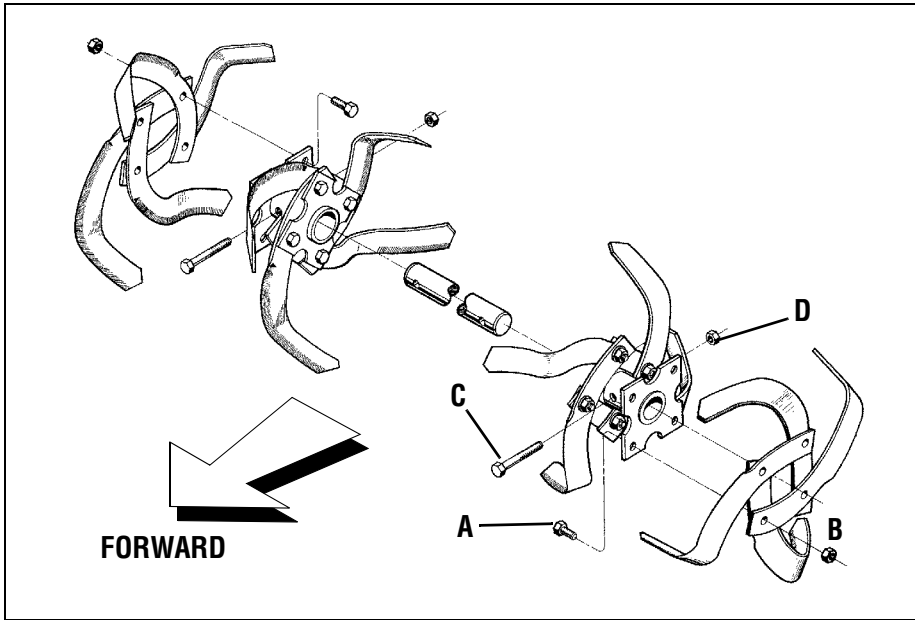


Figure 5-3: Install tines so that cutting edge of tines enter soil first when tiller moves forward.

### CHECKING AND ADJUSTING FORWARD DRIVE BELT TENSION

It is important to maintain correct tension on the forward drive belt. A loose belt will cause the tines and wheels to slow down — or stop completely — even though the engine is running at full speed. A too tight belt can result in unintentional tine movement when the clutch bail is in the Neutral (released) position.

- Check belt tension after the first two hours of break-in operation and after every 10 operating hours.
- At the end of each tilling season, check the belt for cracks, cuts or frayed edges and replace it as soon as possible.

#### To Check Forward Belt Tension:

1. Stop engine, wait for all parts to stop moving and disconnect spark plug wire.
2. With the Forward Clutch Bail in an open (released) position, measure and note the overall length of the cable spring (A, Figure 5-4) by measuring from the outermost coil to the outermost coil.
3. Squeeze the Forward Clutch Bail against the handlebar (see Figure 5-4) and re-measure the length of the coils. The belt

tension is correct if this second measurement is between 1/6" -to- 3/16" longer than the first measurement.

4. If the spring is too short (less than 1/16"), the tension is too loose. If the spring is too long (more than 3/16"), the tension is too tight.
5. To adjust the length of the spring:
  - a. Release the Forward Clutch Bail.

- b. Unthread the hex nut (C, Figure 5-4) halfway up the adjustment screw (D).

- c. Unhook the top of the spring from the Forward Clutch Bail.

- d. Use pliers to prevent the adjuster (B) from turning and turn the slotted screw located inside the spring clockwise (viewed from operator's position) to increase tension on the spring. Turn the screw counter-clockwise to decrease tension. Once adjusted, reattach the spring to the Forward Clutch Bail.

- e. Repeat Steps 2 and 3 to re-measure the length of the spring. When the second measurement is between 1/16" -to- 3/16" longer than the first measurement, retighten the hex nut (C) against the top of the adjuster (B).

#### Replacement Belt Information

If the drive belt needs to be replaced, see your local authorized dealer or refer to the Parts List for ordering information. Use only a factory-authorized belt as an "over-the-counter" belt may not perform satisfactorily. The procedure requires average mechanical ability and commonly available tools.

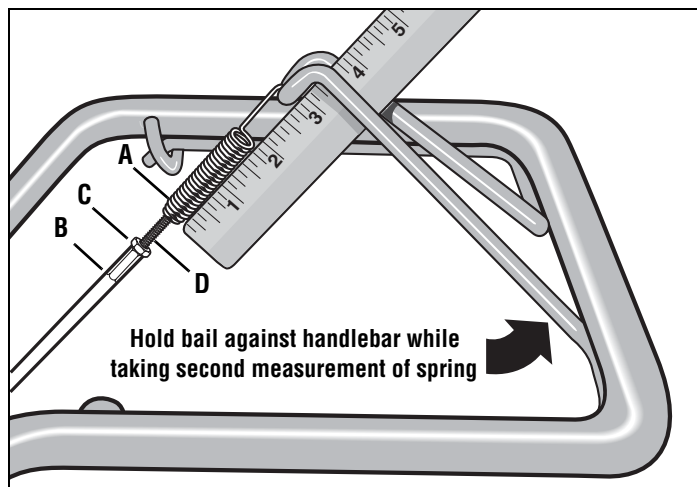
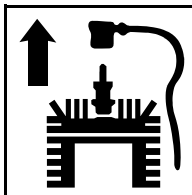


Figure 5-4: To check forward belt tension, take two measurements of the overall length of the coils in the spring — first with the clutch bail open, then with the clutch bail closed against the handlebar.



**WARNING:** Before inspecting, cleaning or servicing the machine, shut off engine, wait for all moving parts to come to a complete stop, disconnect spark plug wire and move wire away from spark plug. Failure to follow these instructions can result in serious personal injury or property damage.

## FORWARD CLUTCH BAIL ADJUSTMENT

If the Forward Clutch Bail does not function properly, first check that the forward drive belt is adjusted properly (see *Checking and Adjusting Forward Drive Belt Tension*). If this fails to correct the problem, contact Troy-Bilt LLC or your authorized dealer for service advice.

## CHECKING AND ADJUSTING REVERSE DRIVE BELT TENSION (Models 643B & 645A only)

It is important to maintain correct tension on the reverse drive belt. A loose belt will cause the tines and wheels to slow down – or stop completely – even though the engine is running at full speed.

When checking belt tension, also check the belt for cracks, cuts or frayed edges and replace it as soon as possible.

- Check belt tension after the first two hours of break-in operation and after every 10 operating hours.

### To Check Reverse Belt Tension:

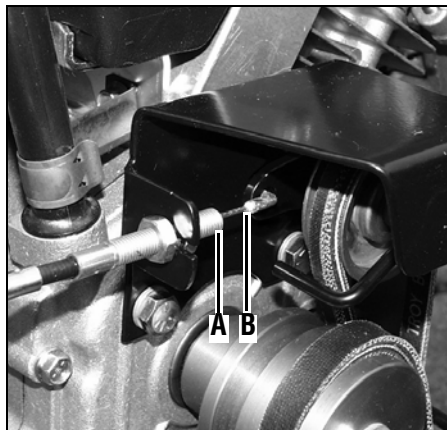
1. Stop engine, wait for all parts to stop moving and disconnect spark plug wire.
  2. Remove screw in plastic belt cover and slide belt cover (which is attached to forward clutch cable) out of the way.
  3. Have an assistant pull the Reverse Clutch Control knob all the way out and hold it in that position. Measure the length of the cable wire between the end of the threaded cable adjuster (A, Figure 5-5) and the end of the Z-fitting (B) to which the cable wire is attached.
  4. The belt tension is ideal if the cable wire length measures between 1/8" to 1/4". If it is less than 1/8" (and if there is no reverse action when the tiller is running), then make the following adjustments
- NOTE: If the length is more than 1/4", no adjustment is needed—as long as the reverse action functions properly.

5. Release the Reverse Clutch Control knob and then unthread the inner jam nut (C, Figure 5-6) one to two turns. Pull the threaded cable adjuster (A, Figure 5-6) to the left until the inner jam nut (C) touches the bracket.

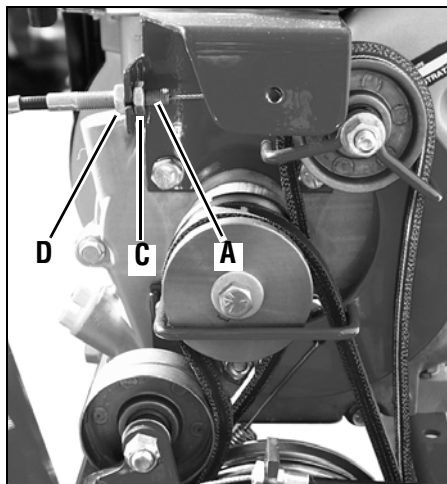
6. Prevent the inner jam nut (C) from turning and tighten the outer jam nut (D) against the bracket. Prevent the outer jam nut (D) from turning and tighten the inner jam nut (C) against the bracket.

7. Measure the gap by repeating Step 3. Readjust as needed by repeating Steps 5 and 6.

8. Reinstall the belt cover.



**Figure 5-5: Measure cable wire length to check for correct reverse belt tension.**



**Figure 5-6: Move threaded adjuster (A) to left to increase belt tension.**

## Replacement Belt Information

If the drive belt needs to be replaced, see your local authorized dealer or refer to the Parts List for ordering information. Use only a factory-authorized belt as an “over-the-counter” belt may not perform satisfactorily. The procedure requires average mechanical ability and commonly available tools.

## ENGINE CLEANING

Keeping the engine clean will help to ensure smooth operation and prevent damage from overheating. Refer to the Engine Owner's Manual for engine cleaning service intervals and instructions. Be sure that the muffler is cool before servicing the engine.

## AIR CLEANER SERVICE

The air cleaner filters dirt and dust out of the air before it enters the carburetor. Operating the engine with a dirty, clogged air filter can cause poor performance and damage to the engine. Never operate the engine without the air cleaner installed. Inspect and service the air cleaner more often if operating in very dusty or dirty conditions. Refer to the engine Owner's Manual for air cleaner service intervals and instructions.

## ENGINE OIL SERVICE

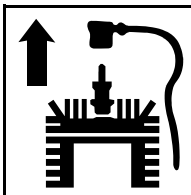
Check the engine oil level before each use and after every five hours of continuous operation. Running the engine when it is low on oil will quickly ruin the engine.

It is recommended that you change the motor oil after every 10 hours of operation and even sooner when operating in extremely dirty or dusty conditions. Refer to the Engine Owner's Manual for detailed service instructions.

### A. To Check the Engine Oil Level:

1. Park the tiller on a level area and shut off the engine.
2. Level the engine (use the Depth Regulator Lever to adjust the engine angle).





**WARNING:** Before inspecting, cleaning or servicing the machine, shut off engine, wait for all moving parts to come to a complete stop, disconnect spark plug wire and move wire away from spark plug. Failure to follow these instructions can result in serious personal injury or property damage.

3. Clean around the oil dipstick or oil fill tube (whichever applies) to prevent dirt from falling into the crankcase.
4. On engines with an oil fill tube, remove the fill cap and add oil (if required) until it reaches the top of the fill tube. Reinstall the fill cap.
5. On engines with a dipstick, remove it and wipe it clean. Reinsert the dipstick, tighten it securely, and remove it. Add oil as needed to bring the level up to the FULL mark. Wipe dipstick clean each time oil level is checked. Do not overfill. Tighten dipstick securely.

#### **B. To Change the Engine Oil:**

Change the engine oil as instructed in the Engine Owner's Manual.

### **SPARK PLUG SERVICE**

Inspect and clean or replace the spark plug after every 100 operating hours or annually. Refer to the Engine Owner's Manual for spark plug service instructions.

In some areas, local law requires using resistor spark plugs to suppress ignition signals. If the engine was originally equipped with a resistor spark plug, use the same type for replacement.

### **SPARK ARRESTER SCREEN SERVICE**

If the engine muffler is equipped with a spark arrester screen, remove and clean it according to the service intervals and instructions in the Engine Owner's Manual.

### **THROTTLE LEVER ADJUSTMENT**

If the engine does not respond to various throttle lever settings, refer to the Engine Owner's Manual for service information or contact your local authorized engine dealer.



**WARNING:** Operators shall not tamper with the engine governor settings on the machine; the governor controls the maximum safe operating speed to protect the engine and all moving parts from damage caused by overspeed. Authorized service shall be sought if a problem exists.

### **CARBURETOR/GOVERNOR CONTROL ADJUSTMENTS**

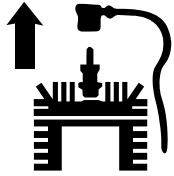
The carburetor was adjusted at the factory for best operating speed. Refer to the Engine Owner's Manual for any adjustment information or see your authorized engine dealer.

The governor controls the maximum safe operating speed and protects the engine and all moving parts from damage caused by overspeeding. Do not tamper with the engine governor settings.

### **OFF-SEASON STORAGE**

When the tiller won't be used for an extended period, prepare it for storage as follows:

1. Clean the tiller and engine.
2. Do routine tiller lubrication and check for loose parts and hardware.
3. Protect the engine and perform recommended engine maintenance by following the storage instructions found in the Engine Owner's Manual. Be sure to protect the fuel lines, carburetor and fuel tank from gum deposits by removing fuel or by treating fuel with a fuel stabilizer (follow engine manufacturer's recommendations).
4. Store unit in a clean, dry area.
5. Never store the tiller with fuel in the fuel tank in an enclosed area where gas fumes could reach an open flame or spark, or where ignition sources are present (space heaters, hot water heaters, furnaces, etc.).



**WARNING:** Before inspecting, cleaning or servicing the machine, shut off engine, wait for all moving parts to come to a complete stop, disconnect spark plug wire and move wire away from spark plug. Failure to follow these instructions can result in serious personal injury or property damage.

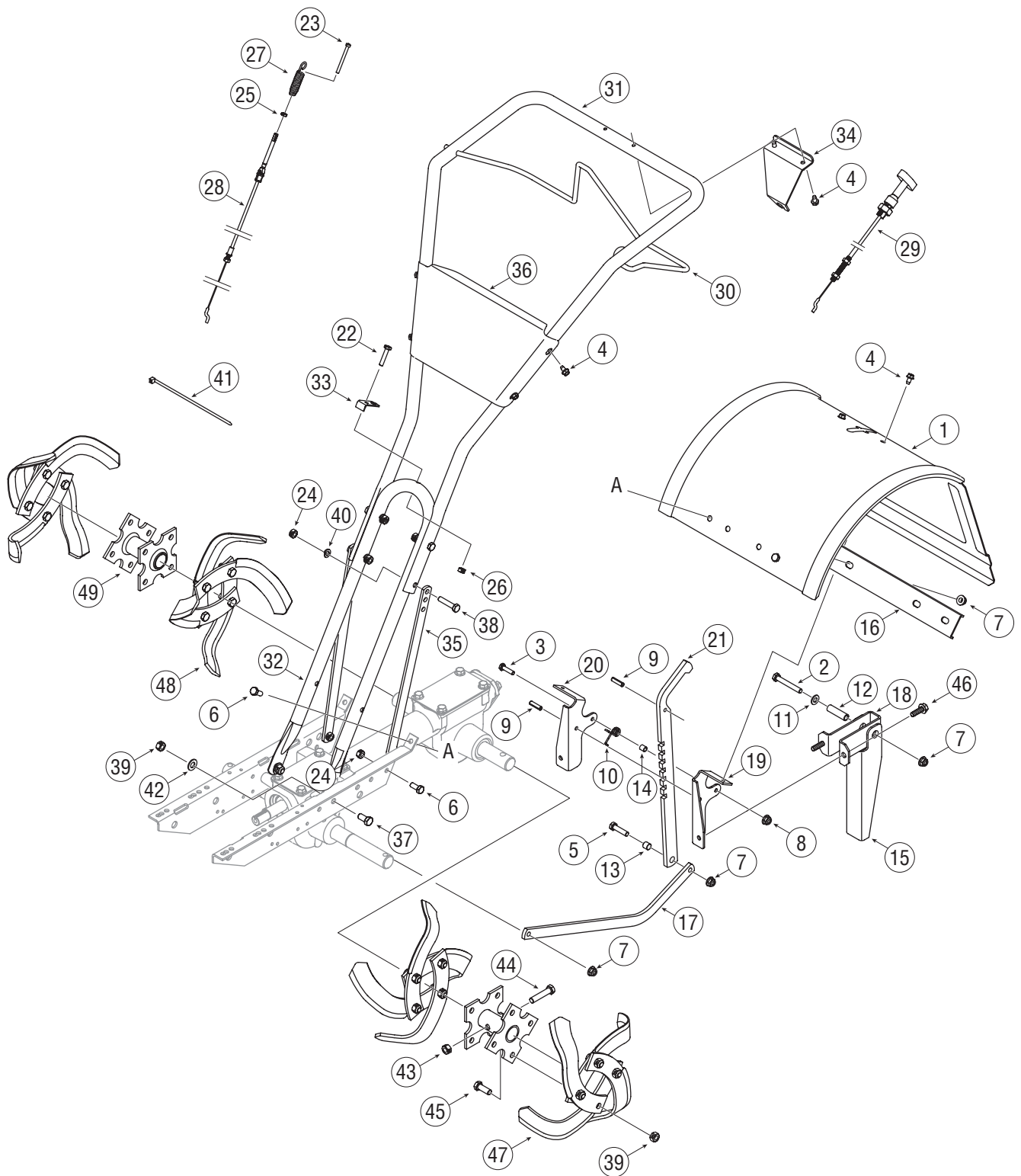
## TROUBLESHOOTING

PROBLEM	POSSIBLE CAUSE	CORRECTION
<b>Engine does not start</b>	<ol style="list-style-type: none"> <li>1. Spark plug wire disconnected.</li> <li>2. Engine Throttle Control Lever incorrectly set.</li> <li>3. Fuel tank empty.</li> <li>4. Choke control (if so equipped) in incorrect position.</li> <li>5. Stale gasoline.</li> <li>6. Dirty air filter.</li> <li>7. Defective or incorrectly gapped spark plug.</li> <li>8. Carburetor out of adjustment.</li> <li>9. Misadjusted throttle control.</li> <li>10. Dirt or water in fuel tank.</li> </ol>	<ol style="list-style-type: none"> <li>1. Reconnect wire.</li> <li>2. Put lever in START position.</li> <li>3. Add fuel.</li> <li>4. See Engine Owner's Manual.</li> <li>5. Drain fuel and add fresh fuel.</li> <li>6. Clean or replace filter.</li> <li>7. Inspect spark plug.</li> <li>8. See Engine Service Dealer.</li> <li>9. See Engine Service Dealer</li> <li>10. See Engine Service Dealer.</li> </ol>
<b>Engine runs poorly.</b>	<ol style="list-style-type: none"> <li>1. Defective or incorrectly gapped spark plug.</li> <li>2. Dirty air filter(s).</li> <li>3. Carburetor out of adjustment.</li> <li>4. Stale gasoline.</li> <li>5. Dirt or water in fuel tank.</li> <li>6. Engine cooling system clogged.</li> </ol>	<ol style="list-style-type: none"> <li>1. Inspect spark plug (see Engine Owner's Manual).</li> <li>2. Clean or replace (see Engine Owner's Manual).</li> <li>3. See Engine Service Dealer.</li> <li>4. Replace with fresh gasoline.</li> <li>5. See Engine Service Dealer.</li> <li>6. Clean air cooling system (see Engine Owner's Manual).</li> </ol>
<b>Engine overheats.</b>	<ol style="list-style-type: none"> <li>1. Engine cooling system clogged.</li> <li>2. Carburetor out of adjustment.</li> <li>3. Oil level is low.</li> </ol>	<ol style="list-style-type: none"> <li>1. Clean air cooling area (see Engine Owner's Manual).</li> <li>2. See Engine Service Dealer.</li> <li>3. Check oil level (see Engine Owner's Manual).</li> </ol>
<b>Engine does not shut off</b>	<ol style="list-style-type: none"> <li>1. Misadjusted throttle control or ignition switch.</li> </ol>	<ol style="list-style-type: none"> <li>1. See Engine Owner's Manual or Engine Service Dealer.</li> </ol>
<b>Wheels and Tines will not turn</b>	<ol style="list-style-type: none"> <li>1. Improper use of controls.</li> <li>2. Worn, broken, or misadjusted drive belt(s).</li> <li>3. Internal transmission wear or damage.</li> <li>4. Bolt loose in transmission pulley.</li> </ol>	<ol style="list-style-type: none"> <li>1. Review Sections 3 and 4.</li> <li>2. See "Checking Drive Belt Tension," Section 5.</li> <li>3. Contact local dealer or the factory.</li> <li>4. Tighten bolt.</li> </ol>
<b>Tines turn, but wheels don't.</b>	<ol style="list-style-type: none"> <li>1. Wheel Drive Pins not in WHEEL DRIVE.</li> <li>2. Bolt loose in transmission pulley.</li> <li>3. Internal transmission wear or damage.</li> </ol>	<ol style="list-style-type: none"> <li>1. See "Wheel Drive Pins" in Section 3.</li> <li>2. Tighten bolt.</li> <li>3. Contact local Dealer or the Factory.</li> </ol>
<b>Wheels Turn, but Tines Don't.</b>	<ol style="list-style-type: none"> <li>1. Tine holder mounting hardware missing.</li> <li>2. Bolt loose in transmission pulley.</li> <li>3. Internal transmission wear or damage.</li> </ol>	<ol style="list-style-type: none"> <li>1. Replace hardware.</li> <li>2. Tighten bolt.</li> <li>3. Contact local Dealer or the Factory.</li> </ol>
<b>Poor tilling performance.</b>	<ol style="list-style-type: none"> <li>1. Worn tines.</li> <li>2. Improper Depth Regulator setting.</li> <li>3. Incorrect throttle setting.</li> <li>4. Forward Drive Belt slipping.</li> </ol>	<ol style="list-style-type: none"> <li>1. See "Bolo Tines" (Section 5).</li> <li>2. See "Tilling Tips &amp; Techniques," Section 4.</li> <li>3. See Section 4.</li> <li>4. See "Checking Forward Drive Belt Tension," Section 5.</li> </ol>

---

## NOTES

# Models 643C, 643B & 645A



# MODELS 643C, 643B & 645A

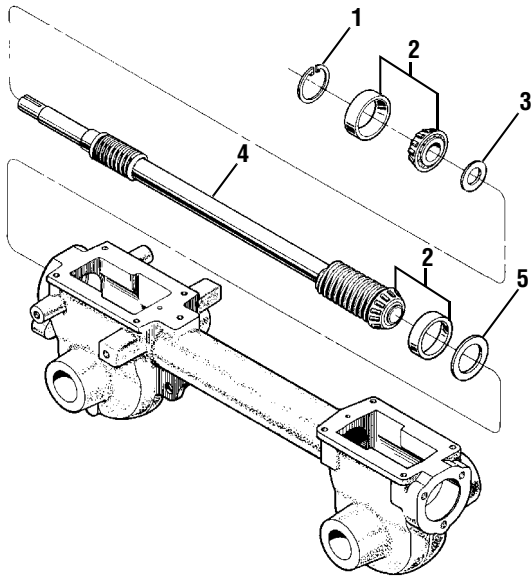
REF NO.	PART NO.	DESCRIPTION	REF NO.	PART NO.	DESCRIPTION
1	686-04043	Tine Hood Assembly <b>(A)</b>	27	732-04185	Spring, Forward Clutch
	686-04041	Tine Hood Assembly <b>(B) (C)</b>	28	746-04208	Cable Assembly, Forward Clutch
2	710-0395	Hex Screw, 5/16-18 x 2.25	29	746-04058	Cable Assembly, Reverse Clutch <b>(B) (C)</b>
3	710-0597	Hex Hd. Screw, 1/4-20 x 1	30	747-04210	Bail, Forward Clutch
4	710-0599	Screw, Self-Tapping, 1/4-20 x 1/2	31	749-04084	Upper Handlebar
5	710-0874	Hex Hd. Screw, 5/16-18 x 1-1/4	32	749-04208	Lower Handlebar
6	710-3008	Hex Hd. Screw, 5/16-18 x .75	33	749-04106	Tab, Conduit Mount
7	712-04063	Hex Lock Nut, Nylon, 5/16-18	34	732-04040	Bracket, Reverse Clutch Cable <b>(B) (C)</b>
8	712-04064	Hex Lock Nut, Nylon, 1/4-20	35	786-04188	Handlebar Support
9	715-0108	Spirol Pin	36	786-04200	Panel
10	732-04320	Spring, Depth Regulator	37	710-0216	Screw, Hex, 3/8-16 x 3/4
11	736-0275	Flat Washer, 5/16	38	710-0805	Screw, Hex, 5/16-18 x 1-1/2
12	750-04149	Spacer, .462 x .328 x 1.63	39	712-3000	Hex Lock Nut, 3/8-16
13	750-04160	Bushing	40	736-0119	Lock Washer, 5/16
14	750-04556	Spacer	41	725-0157	Cable Tie
15	786-04092	Reverse Stop Arm	42	736-3050	Flat Washer, 3/8
16	786-04098	Channel Support Bracket	43	712-04065	Flange Lock Nut 3/8-16
17	786-04104	Drag Bar	44	710-0347	Hex Hd. Screw, 3/8-16 x 1-3/4
18	786-04191	Flap Stop Bracket	45	710-0514	Hex Hd. Screw, 3/8-16 x 1, Grade 5
19	786-04290	Hood Bracket, Left Hand	46	710-04048	Flange Screw .312-18 x 1.00
20	786-04291	Hood Bracket, Right Hand	47	742-04117	Single Bolo Tine - Left Hand
21	786-04292	Adjustable Depth Bar	48	742-04116	Single Bolo Tine - Right Hand
22	710-0106	Hex Hd. Screw, 1/4-20 x 1-1/4	49	686-04066	Tine Holder <b>(A)</b>
23	710-04163	Screw, #10-24 x 2		686-04065	Tine Holder <b>(B) (C)</b>
24	712-3009	Hex Lock Nut, 5/16-18		GW-1901	Bolo Tine Replacement Set ( <i>Incl. eight right-hand tines, eight left-hand tines and required hardware</i> ). <b>(A) (B) (C)</b>
25	712-0121	Hex Nut, #10-24			
26	712-0291	Hex Lock Nut, 1/4-20			

**(A)** For Model 643C

**(B)** For Model 643B

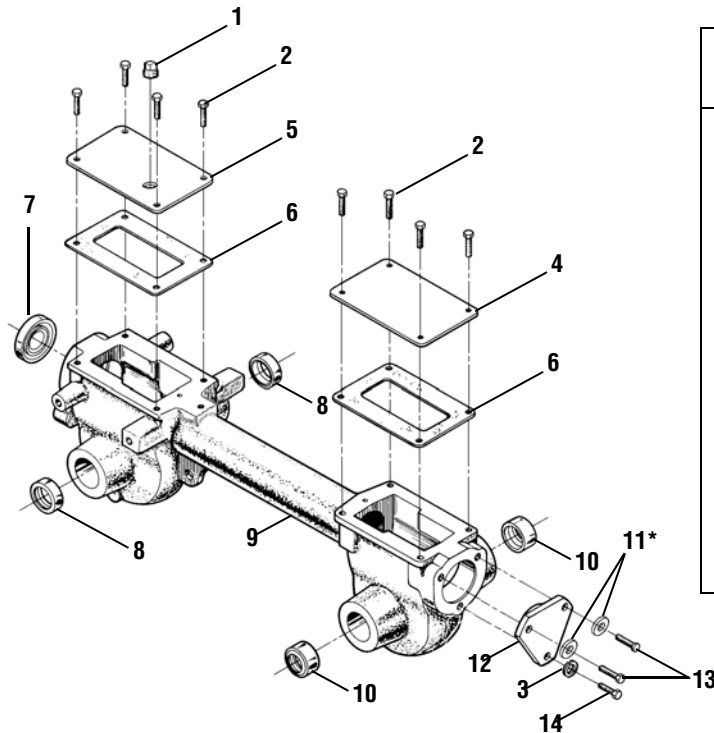
**(C)** For Model 645A

# MODELS 643C, 643B & 645A



REF NO.	PART NO.	DESCRIPTION
1	GW-9517	Snap Ring
2	GW-1714	Bearing, Tapered Roller (with race)
3	GW-50043	Support Washer, Rear
4	711-04110	Drive Shaft
5	GW-1224-1*	Shim, Rear Bearing Cap, .010" thick
	GW-1224-2*	Shim, same as above, except .030" thick
	GW-1224-3*	Shim, same as above, except .005" thick
	GW-1224-4*	Shim, same as above, except .062" thick
—	GW-1325C	Shim Set (Incl. the following shims: two #1224-1, two 1224-2 & one #1224-4)

\* Use as required to obtain between .005" and .015" allowable end-play.

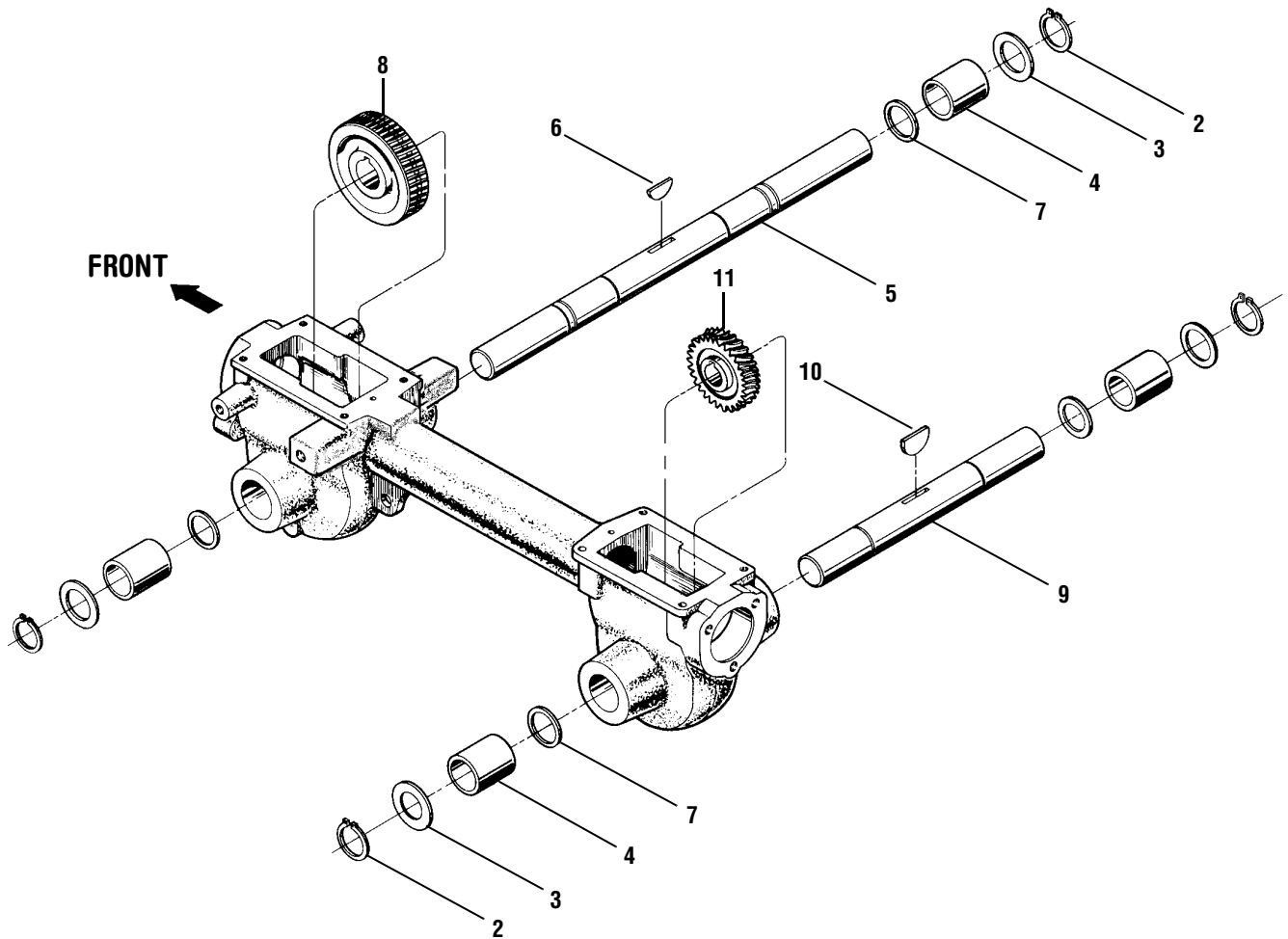


REF NO.	PART NO.	DESCRIPTION
1	GW-9727	Plug, Transmission Oil Fill
2	710-04049	Hex Hd. Flange Screw, 5/16-18 x 5/8, Gr. 5
3	736-0119	Lock Washer, 5/16
4	1918377	Rear Cover, Transmission
5	1916641	Front Cover, Transmission
6	GW-50032	Gasket, Housing Cover
7	721-04030	Oil Seal, Drive Shaft
8	721-04031	Oil Seal, Wheel Shaft
9	619-04013	Transmission Housing Assembly
10	721-04036	Oil Seal, Tine Shaft
11	736-3008*	Washer, Flat, .344 x .750 x .120
12	718-04008	Rear Bearing Cap
13	710-04048	Hex Hd. Flange Screw, 5/16-18 x 1
14	710-3008	Hex Hd. Flange Screw, 5/16-18 x 3/4

\* Included with transmission when purchased as an assembly only.  
Remove and discard when installing the transmission on tiller.



# MODELS 643C, 643B & 645A

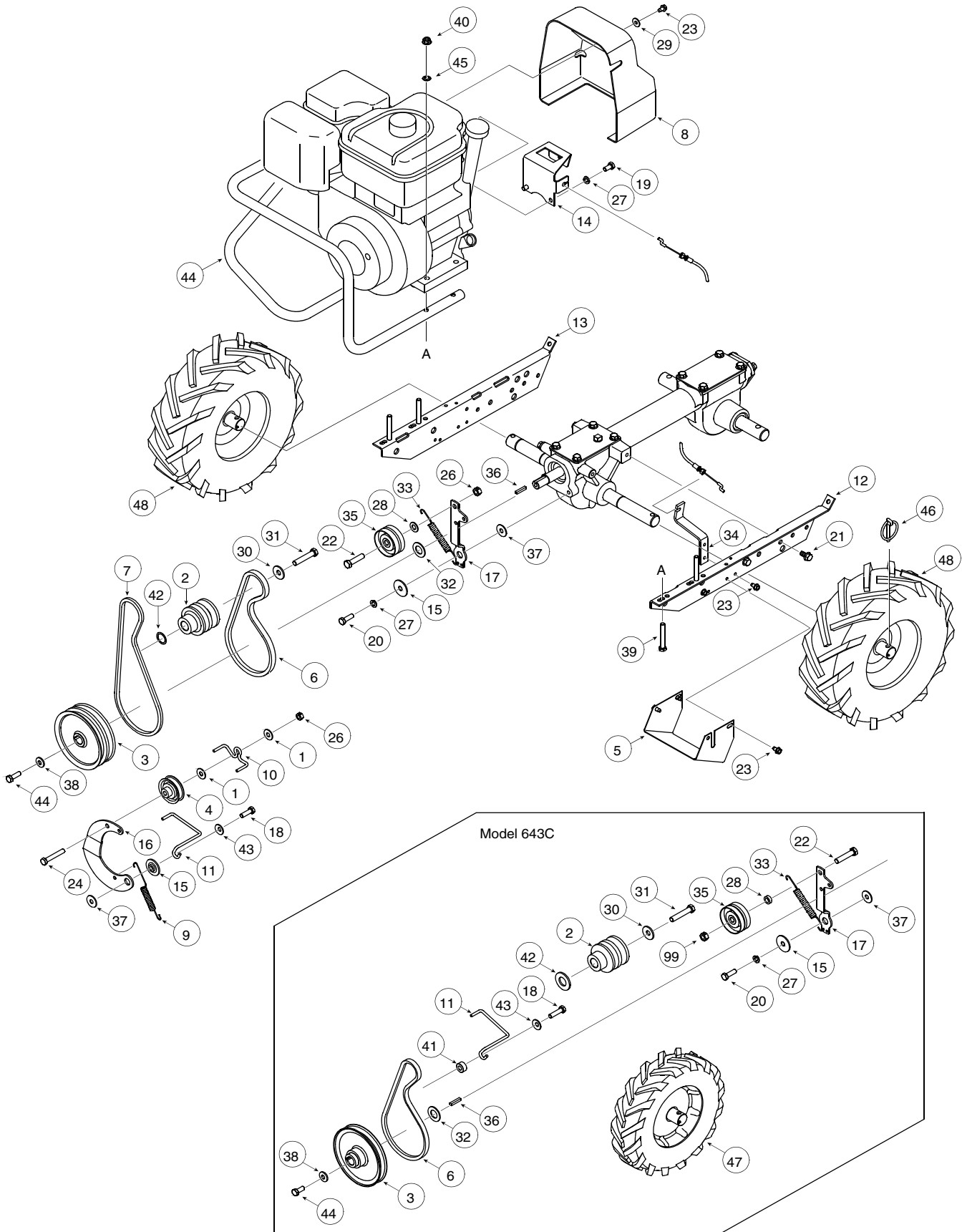


REF NO.	PART NO.	DESCRIPTION
2	1909950	Retainer, Snap Ring
3	GW-1166-1*	Shim, 0.062" thick
	GW-1166-2*	Shim, 0.030" thick
	GW-1166-3*	Shim, 0.015" thick
	GW-1166-4*	Shim, 0.010" thick
	GW-1166-5*	Shim, 0.005" thick
4	GW-1086	Bronze Bushing
5	711-04512	Wheel Shaft <b>(A)</b>
	711-04486	Wheel Shaft <b>(B) (C)</b>
6	GW-9305	Key, Hi-Pro, 1/4 x 1
7	GW-1132-2	Spacer
8	1904278	Worm Gear, Wheel Shaft
9	711-04078	Tiller Shaft
10	GW-1104	Woodruff Key
11	1916542	Worm Gear, Tiller Shaft

**(A)** For Model 643C  
**(B)** For Model 643B  
**(C)** For Model 645A

\* Use as required to obtain between .005" and .030" allowable end-play.

# MODELS 643C, 643B & 645A



# MODELS 643C, 643B & 645A

REF NO.	PART NO.	DESCRIPTION	REF NO.	PART NO.	DESCRIPTION
1	736-0159	Flat Washer, 5/16	27	736-0119	Lock Washer, 5/16 <b>(A)</b>
2	756-04198	Pulley, Engine Drive	28	750-0535	Spacer, .380 ID x .625 OD x .21 <b>(A)</b>
3	656-04023	Transmission Pulley <b>(A)</b>		736-3050	Flat Washer .406 x .812 x .051 <b>(B) (C)</b>
	656-04005	Transmission Pulley <b>(B) (C)</b>	29	736-3090	Flat Washer
4	756-04169	Pulley, Reverse Idler <b>(B) (C)</b>	30	736-0452	Bell Washer
5	786-04095	Guard, Belts/Pulleys	31	710-0459A	Hex Hd. Screw, 3/8-24 x 1.50, GR5
6	754-04090	Forward Drive Belt	32	736-04181	Support Washer
7	754-04091	Reverse Drive Belt <b>(B) (C)</b>	33	732-04085	Forward Return Spring
8	731-05268	Belt Cover	34	786-04107	Bracket, Cable Mounting
9	732-04289	Reverse Return Spring <b>(B) (C)</b>	35	756-04170	Forward Idler Pulley
10	732-04081	Belt Guide <b>(B) (C)</b>	36	714-0105	Key, 3/16" x 1"
11	732-04079	Belt Guide	37	736-3078	Flat Washer
12	786-04068	Engine Bracket, Left	38	736-04193	Belleville Washer
13	786-04069	Engine Bracket, Right	39	710-0805	Hex Screw, 5/16-18 x 1.50 Gr5 <b>(A) (B)</b>
14	786-04070	Bracket, Belt Cover		710-0395	Hex Screw, 5/16-18 x 2-1/4, Gr5 <b>(C)</b>
15	748-04087	Shoulder Washer	40	712-04063	Nut, Hex Lock, 5/16-18
16	786-04276	Reverse Idler Arm <b>(B) (C)</b>	41	750-0258	Spacer, Shoulder <b>(A)</b>
17	786-04275	Forward Idler Lever	42	736-0315	Washer, Flat, .75 x 1.5 x .125 <b>(A)</b>
18	710-0672	Hex Hd. Screw, 5/16-24 x 1.25 <b>(A)</b>		736-04192	Flat Washer .786 x 1.000 x .031 <b>(B) (C)</b>
	710-0117	Hex Hd. Screw, 5/16-24 x 1 <b>(B) (C)</b>	43	736-0242	Bell Washer
19	710-0237	Hex Hd. Screw, 5/16-24 x 5/8	44	749-04193	Bumper <b>(C)</b>
20	710-0376	Hex Hd. Screw, 5/16-18 x 1	45	726-0201	Nut, Speed, 5/16-18 <b>(C)</b>
21	710-04049	Hex Hd. Screw, 5/16-18 x 5/8	46	714-0143	Klik Pin
22	710-0347	Hex Hd. Screw, 3/8-16 x 1-3/4 <b>(A)</b>	47	734-04188	Complete Wheel Assembly 10 x 2.75 <b>(A)</b>
	710-0520	Hex Hd. Screw, 3/8-16 x 1.50 <b>(B) (C)</b>	48	634-04232	Complete Wheel Assembly 13 x 5 x 6 <b>(B) (C)</b>
23	710-0599	Screw, Self-Tapping, 1/4-20 x 1/2		634-04218	Rim Assembly <b>(B) (C)</b>
24	710-3103	Hex Hd. Screw, 5/16-18 x 2 <b>(B) (C)</b>		734-0255	Air Valve <b>(B) (C)</b>
25	712-3000	Lock Nut, 3/8-16		734-04163	Tire <b>(B) (C)</b>
26	712-3009	Lock Nut, 5/16-18 <b>(B) (C)</b>			

**(A)** For Model 643C

**(B)** For Model 643B

**(C)** For Model 645A

---

## NOTES

---

## NOTES

# TROY-BILT TILLER LIFETIME LIMITED WARRANTY

**WHAT PRODUCT IS COVERED** All Troy-Bilt branded rear tine walk-behind tillers with gear drive transmissions. This warranty begins on the date of purchase and is warranted by Troy-Bilt LLC for the life of the tiller, to the original purchaser only.

---

**WHAT IS COVERED BY THIS WARRANTY** Troy-Bilt LLC will, at its option, repair or replace any part found to be defective in material or workmanship without charge for parts and labor

---

This limited lifetime warranty also applies to non-powered attachments and accessories. Powered attachments and accessories are warranted separately by their manufacturers. Refer to the applicable manufacturer's warranty on these items for terms and conditions.

---

**WHAT IS NOT COVERED BY THIS WARRANTY** This warranty does not apply to parts that have been damaged by accident, alteration, misuse, abuse, neglect, improper maintenance, vandalism, theft, fire, water, or damage because of peril or other natural disaster.

---

The following items are not covered after the first year of this residential use limited warranty: belts, batteries, bushings, seals, tines, tires, wheels, paint, appearance items, and similar items that are normally replaced through periodic maintenance.

Charges for pick-up, delivery, and service calls are not covered by this warranty.

Service completed by someone other than an authorized service dealer is not covered by this warranty.

Parts that are not genuine Troy-Bilt LLC service parts are not covered by this warranty.

The engine is warranted separately by the engine manufacturer. Refer to the engine manufacturer's warranty for terms and conditions.

---

**LIMITED COMMERCIAL USE WARRANTY** If used for commercial, institutional, industrial, rental, or demonstrator purposes, the warranty on the tiller is limited in duration to 90 days from the date of purchase.

This warranty does not apply to parts that have been damaged by accident, alteration, misuse, abuse, neglect, improper maintenance, vandalism, theft, fire, water, or damage because of peril or other natural disaster.

---

**HOW TO OBTAIN SERVICE** Warranty service is available, **with proof of purchase**, through your local authorized service dealer. To locate a dealer in your area, consult your Yellow Pages, or contact Troy-Bilt LLC at P.O. Box 361131, Cleveland, Ohio 44136-0019, 1-866-840-6483, or log on to our Web site at [www.troybilt.com](http://www.troybilt.com).

---

**The provisions set forth in this warranty provide the sole and exclusive remedy arising from the sale. Troy-Bilt LLC shall not be liable for any incidental or consequential damage or expense of any kind, including but not limited to cost of equipment rental, loss of profits, or costs of hiring services to perform tasks normally performed by the equipment.**

Any implied warranties, including any implied warranty of merchantability or fitness for a particular purpose, shall be limited in duration to the period of ownership by the original purchaser (and a maximum of 90 days from the date of sale if the tiller is purchased for commercial or other non-residential use).

Some states do not allow the exclusion or limitation of incidental or consequential damages, or limitations on how long an implied warranty lasts, so the above exclusions or limitations may not apply to you.

This limited warranty gives you specific legal rights, and you may also have other rights which vary from state to state.

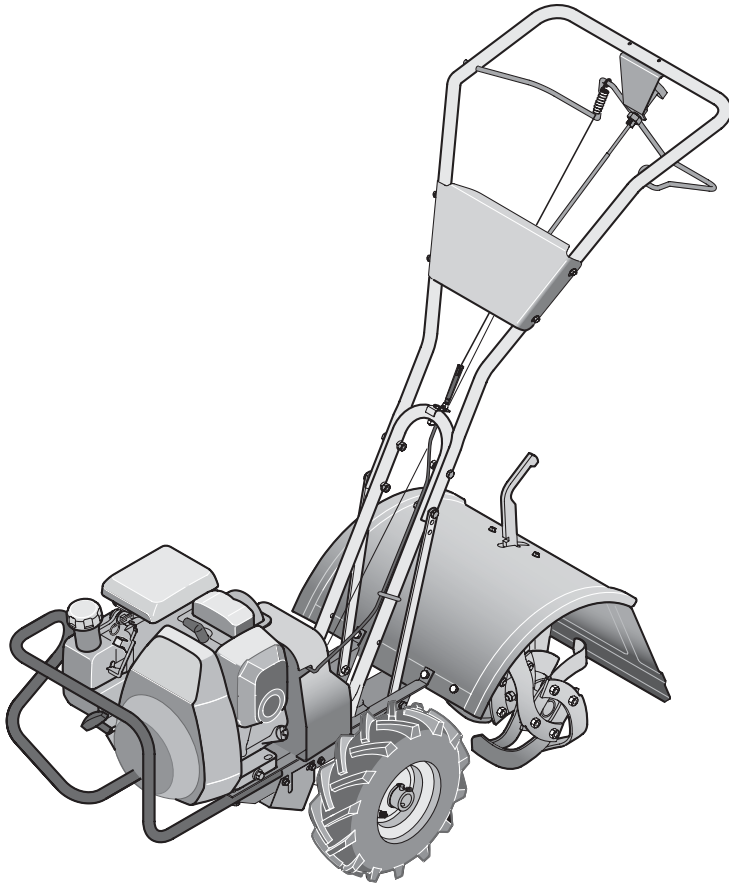
***For customer assistance, contact your nearest authorized dealer, or contact us at:***

**TROY-BILT LLC, P.O. Box 361131, Cleveland, Ohio 44136-0019, 1-866-840-6483**





# Manual del Operador



Se muestra el modelo 645A

## Modelos de cultivadoras de dientes traseros

643C — Tuffy® / Bronco CRT

643B, 645A — Super Bronco™

**IMPORTANTE:** Lea atentamente las reglas e instrucciones de seguridad antes de operar el equipo.

**Advertencia:** Esta unidad está equipada con un motor de combustión interna y no debe ser utilizada en o cerca de un terreno agreste cubierto por bosque, malezas o hierba excepto si el sistema de escape del motor está equipado con un amortiguador de chispas que cumpla con las leyes locales o estatales correspondientes, en su caso. Si se utiliza un amortiguador de chispas el operador lo debe mantener en condiciones de uso adecuadas. En el Estado de California las medidas anteriormente mencionadas son exigidas por ley (Artículo 4442 del Código de Recursos Públicos de California). Es posible que existan leyes similares en otros estados. Las leyes federales se aplican en territorios federales. Su distribuidor más cercano autorizado para realizar el mantenimiento del motor puede conseguir el amortiguador de chispas para el silenciador; de lo contrario, usted puede comunicarse con el departamento de servicios, P.O. Box 361131 Cleveland, Ohio 44136-0019.

IMPRESO EN ESTADOS UNIDOS DE AMÉRICA

FORMULARIO N° 769-00585E  
11/11/05

## ÍNDICE

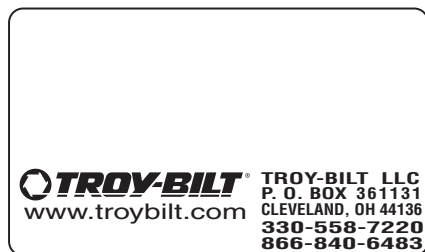
Índice	Página	Índice	Página
Asistencia al cliente	2	Mantenimiento	17
Seguridad	3	Almacenamiento fuera de temporada	21
Montaje	6	Solución de problemas	22
Características y controles	10	Lista de piezas	24
Funcionamiento	12	Garantía	Cubierta posterior

## BÚSQUEDA DEL NÚMERO DE MODELO

Este Manual del Operador es una parte importante de su nueva cultivadora. Le ayudará a montar, preparar y mantener la unidad para obtener los mejores resultados. Por favor, lea y comprenda el contenido del manual.



**Antes de comenzar el montaje del equipo nuevo**, por favor encuentre la placa del modelo del equipo y copie la información contenida en la misma en el espacio provisto a continuación. A continuación se presenta un ejemplo de placa de modelo. Podrá localizar la placa de modelo en la parte posterior del escudo de dientes. La presente información resultará necesaria para el uso del sitio web del fabricante y/o para solicitar ayuda al Departamento de Asistencia al Cliente o a un distribuidor autorizado de mantenimiento.



Copie el número de modelo en este espacio: \_\_\_\_\_

Copie el número de serie en este espacio: \_\_\_\_\_

## ASISTENCIA AL CLIENTE

**Por favor, NO devuelva la unidad al minorista sin ponerse en contacto primero con el Departamento de Asistencia al Cliente.**

En caso de tener problemas para montar este producto o de tener dudas con respecto a los controles, funcionamiento o mantenimiento del mismo, puede solicitar la ayuda de expertos. Elija entre las opciones que se presentan a continuación:

	<p>Visite <b>troy-bilt.com</b> para obtener sugerencias útiles. Haga clic en el botón de Asistencia al Cliente y recibirá las cuatro opciones que se reproducen en este lugar. Haga clic en el botón apropiado y podrá disponer de ayuda de forma inmediata.</p> <div style="text-align: center; border: 1px solid black; padding: 5px; margin: 10px auto; width: 80%;"> <p>Find Answers Click here to search our knowledge base. Search by product, keyword, or phrase.</p> <p>My Stuff Login to check the status of your questions, modify your inquiries, or update your personal profile.</p> <p>Service Locator Need local assistance? Click here to find authorized service centers in your area.</p> <p>Manuals Online Need a manual and/or parts list? Download literature from recent model years.</p> </div> <p style="text-align: center;"><i>Puede encontrar la respuesta que necesita con sólo hacer clic con</i></p>	<p><i>Puede encontrar la respuesta que necesita con sólo hacer clic con</i></p>
	<p>Si prefiere ponerse en contacto con un Representante del Departamento de Asistencia al Cliente, por favor comuníquese al <b>1(866) 840-6483</b>.</p>	
	<p>El <b>fabricante del motor</b> es el responsable de todas las cuestiones relacionadas con el rendimiento, potencia de salida, especificaciones, garantía y mantenimiento del motor. Por favor, para obtener mayor información consulte el Manual del Propietario / Operador entregado por el fabricante del motor, que se envía, en un paquete por separado, junto con su unidad.</p>	

# SECCIÓN 1: SEGURIDAD

Esta máquina cumple la norma de seguridad voluntaria B71.8 – 1996, que es patrocinada por Outdoor Power Equipment Institute, Inc., y es publicada por el Instituto Estadounidense de Estándares Nacionales (ANSI).



## ADVERTENCIA

El escape del motor de este producto contiene productos químicos que el estado de California considera que pueden producir cáncer, defectos de nacimiento u otros problemas reproductivos.

### Símbolo de alerta de seguridad



Este es un símbolo de alerta de seguridad. Se lo usa en este manual y en la unidad para advertirle sobre potenciales peligros. Cuando vea este símbolo, lea y observe el mensaje que sigue al mismo. De lo contrario se pueden producir lesiones personales o daños materiales.

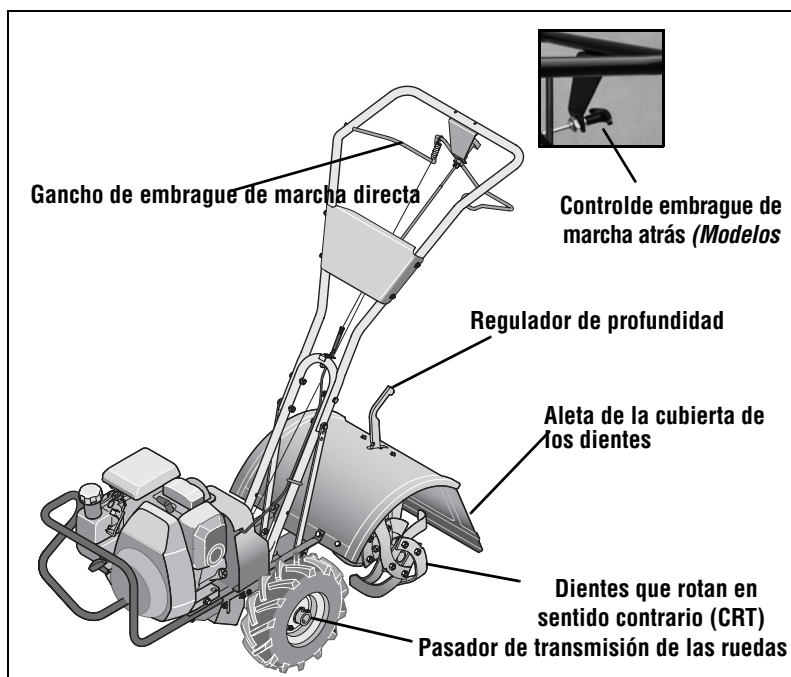


Figura 1-1: Características y controles de la cultivadora. Vea el Manual del Motor del Propietario para identificar los controles del motor.



## Capacitación

1. Lea atentamente este Manual del Propietario, el Manual del Motor del Propietario que se entrega por separado y todo el material impreso que pueda recibir. Familiarícese completamente con los controles y con el uso apropiado de la cultivadora y su motor. Sepa cómo detener la unidad y cómo desengranar los controles rápidamente.

2. Nunca permita que los niños operen la cultivadora. Nunca permita que los adultos operen la cultivadora sin recibir antes la instrucción apropiada.

3. Mantenga el área de operación despejada de personas, particularmente de niños y mascotas.

4. Tenga presente que el operador o usuario es responsable de los accidentes o peligros que puedan afectar a otras personas, sus propiedades y a ellos mismos.

## Preparativos

1. Inspeccione a fondo el área donde se ha de usar la cultivadora y retire todos los objetos extraños.

2. Asegúrese que todos los controles de la cultivadora se suelten y que las dos ruedas se encuentren en posición de transmisión en las ruedas antes de arrancar el motor.

3. No opere la cultivadora sin la vestimenta adecuada para estar al aire libre. Evite usar vestimenta o alhajas sueltas que podrían quedar atrapadas en las partes en movimiento.

4. No opere la cultivadora descalzo o usando sandalias, zapatillas o calzado liviano. Utilice un calzado especial de protección que mejore la firmeza en superficies resbaladizas.

5. No cultive cerca de cables, líneas telefónicas, caños o mangueras subterráneos. En caso de duda, póngase en contacto con la empresa telefónica o de servicios.

6. Advertencia: Maneje el combustible con cuidado; es muy inflamable y sus vapores son explosivos. Adopte las siguientes precauciones:

- Almacene el combustible en contenedores específicamente diseñados con tal propósito.
- Nunca se debe retirar la tapa de gasolina ni agregar combustible mientras el motor está en funcionamiento. Deje que el motor se enfríe durante varios minutos antes de agregar combustible.
- Mantenga las cerillas, los cigarrillos, los cigarros, las pipas, cualquier llama expuesta y las chispas lejos del tanque de combustible y del contenedor de combustible.

d. Llene el tanque de combustible en exteriores con extremo cuidado. Nunca llene el tanque de combustible en un espacio cerrado. Use un embudo o pico para evitar derrames.

e. Vuelva a colocar todas las tapas del tanque y contenedor de combustible y ajústelas.

f. Si se derrama combustible, no intente arrancar el motor, aleje la máquina del área del derrame y evite crear cualquier fuente de encendido hasta que se hayan disipado los vapores del combustible.

7. Nunca realice ajustes mientras el motor está en funcionamiento (a menos que lo recomiende el fabricante).

## Funcionamiento

1. No coloque las manos ni los pies cerca ni debajo de las piezas rotatorias.

2. Tenga extremo cuidado al circular por encima de o cruzar sendas, senderos o caminos de grava. Manténgase alerta por si se presentan peligros ocultos o tránsito.

3. Después de golpear un objeto extraño, detenga el motor, retire el cable de la bujía y evite que el mismo toque la bujía. Inspeccione la máquina a fondo para verificar los daños y repare cualquier daño antes de volver a arrancar y operar la máquina.

4. Tenga cuidado para evitar resbalar o caerse.  
5. Si la unidad comenzara a vibrar de forma anormal, detenga el motor, desconecte el cable de la bujía y evite que el mismo toque la bujía, y verifique inmediatamente la causa. La vibración por lo general es una advertencia de algún problema.

6. Detenga el motor, desconecte el cable de la bujía y evite que el mismo toque la bujía, cada vez que abandone la posición de operación, antes de destapar los dientes o cuando realice reparaciones, ajustes o inspecciones.

7. Adopte todas las precauciones posibles cuando deje la máquina sin supervisión. Detenga el motor. Desconecte el cable de la bujía y aléjelo de la misma. Asegúrese que las dos ruedas estén en la posición de transmisión en las ruedas.

8. Antes de limpiar, reparar o revisar, detenga el motor y asegúrese que todas las partes móviles se hayan detenido. Desconecte el cable de la bujía y evite que el mismo toque la bujía para evitar el arranque accidental.

9. Al operar la cultivadora, la aleta de la cubierta de los dientes debe encontrarse baja.

10. Nunca use la cultivadora a menos que las guardas, placas u otros dispositivos de protección de seguridad adecuados se encuentren en su lugar.

11. No haga funcionar el motor en un área cerrada. El escape del motor contiene monóxido de carbono, un gas letal venenoso que es inodoro, incoloro e insípido.

12. Mantenga a los niños y las mascotas alejados.

13. **Nunca opere la cultivadora con el motor encendido si las ruedas se encuentran en posición de ruedas libres.** En la posición de ruedas libres, las ruedas no retendrán la cultivadora y los dientes giratorios podrían propulsar la máquina rápidamente, con la posibilidad de que se pierda el control de la misma. Siempre engrane las ruedas con los pasadores de transmisión en las ruedas en la posición "transmisión en las ruedas" antes de arrancar el motor o engranar las ruedas de los dientes con el gancho de embrague de marcha directa (todos los modelos) o el control de embrague de marcha atrás (únicamente modelos 643B y 645A).

14. **Esté al tanto de que la cultivadora podría rebotar hacia arriba o saltar hacia adelante inesperadamente si los dientes golpean contra suelo extremadamente duro, congelado u obstáculos enterrados como piedras, raíces o tocones de gran tamaño.**

**En caso de duda acerca de las condiciones de labranza, siempre observe las siguientes precauciones que lo ayudarán a mantener el control de la cultivadora.**

- a. **Camine detrás, a un lado de la cultivadora, con una mano en las barras de control. Distienda el brazo, pero sostenga firmemente la empuñadura con la mano.**
- b. **Use valores de menor profundidad en el regulador de profundidad, aumentando gradualmente la misma en cada pasada.**
- c. **Use velocidades de motor más lentas.**
- d. **Despeje el área de labranza retirando todas las piedras y raíces de gran tamaño u otros desechos que se encuentren.**
- e. **Evite aplicar presión hacia abajo en las barras de control. Si es necesario, aplique una ligera presión hacia arriba para evitar que los dientes cavén demasiado profundo.**
- f. **Antes de hacer contacto con suelo muy compactado y duro en el extremo de una hilera, reduzca la velocidad del motor y levante las barras de control para levantar los dientes y hacerlos salir del suelo.**
- g. **En caso de emergencia, detenga los dientes y las ruedas soltando cualquier control de embrague que se encuentre engranado. No intente retener la cultivadora.**

15. No sobrecargue la capacidad de la cultivadora intentando labrar la tierra con demasiada profundidad a una velocidad demasiado rápida.

16. Nunca utilice la máquina a altas velocidades de desplazamiento en superficies duras o resbaladizas. Mire hacia abajo y tenga cuidado cuando vaya marcha atrás.

17. Por razones de seguridad, no opere la cultivadora en una pendiente demasiado inclinada. Cuando se encuentre en pendientes, reduzca la velocidad y asegúrese de estar firmemente parado. Nunca permita que la cultivadora se desplace con las ruedas libres cuesta abajo.

18. Nunca permita la permanencia de observadores cerca de la unidad.

19. Use únicamente accesorios y acoplamientos aprobados por el fabricante de la cultivadora.

20. Use accesorios y acoplamientos de la cultivadora cuando sea recomendable.

21. Nunca opere la cultivadora si no tiene buena visibilidad o iluminación.

22. Nunca opere la cultivadora si se encuentra cansado o bajo la influencia de alcohol, drogas o medicamentos.

23. Los operadores no deben alterar los valores del regulador del motor configurados en la máquina; el regulador controla la velocidad máxima operativa de seguridad para proteger el motor y todas las partes en movimiento de los daños causados por la excesiva velocidad. En

caso de problemas, recurra al servicio de mantenimiento autorizado.

24. No toque las partes del motor que puedan estar calientes por el funcionamiento. Deje que las partes se enfrien lo suficiente.

25. Por favor, recuerde: Puede detener los dientes y las ruedas, en cualquier momento, soltando el gancho del embrague de marcha directa o, en los modelos 643B y 645A, el control del embrague de marcha atrás, (el que estuviere engranado), o moviendo el interruptor de encendido y/o la palanca de control del estrangulador del motor a la posición "OFF" (apagado) o "STOP" (detención).

26. Para cargar o descargar la cultivadora, vea las instrucciones de la Sección 4 de este Manual.

27. Adopte extrema precaución cuando vaya marcha atrás o cuando jale de la máquina hacia usted.

28. Arranque el motor con cuidado, de acuerdo con las instrucciones y manteniendo los pies bien alejados de los dientes.

29. Nunca levante o transporte la máquina cuando el motor está en funcionamiento.

## Mantenimiento y almacenamiento

1. Mantenga la cultivadora, los acoplamientos y accesorios en condiciones seguras de operación.

2. Inspeccione el ajuste adecuado de todas las tuercas, pernos y tornillos para verificar que la máquina se encuentra en condiciones seguras de operación.

3. Nunca almacene la cultivadora con combustible en el tanque dentro de un edificio donde haya fuentes de ignición, tales como calentadores de agua, calefactores, hornos, secadoras de ropa, estufas, motores eléctricos, etc. Deje que el motor se enfríe antes de almacenar la unidad en un lugar cerrado.

4. Para reducir la posibilidad del peligro de incendio, mantenga el motor sin césped, hojas o exceso de grasa.

5. Almacene la gasolina en un área fresca, bien ventilada y segura, convenientemente alejada de cualquier equipo que produzca chispas o llama. Almacene la gasolina en un contenedor aprobado, convenientemente lejos del alcance de los niños.

6. Consulte las secciones de mantenimiento de este manual y del Manual del Motor del Propietario para obtener instrucciones si la unidad se ha de almacenar por un período prolongado.

7. Nunca realice el mantenimiento mientras el motor se encuentra en funcionamiento o el cable de la bujía está conectado, excepto en el caso de instrucciones específicas en tal sentido.

8. Si es necesario evacuar el tanque de combustible, hágalo en exteriores.

## Calcomanías

Para su seguridad y la seguridad de terceros, hay diversas calcomanías de seguridad y operativas en la unidad (vea la Figura 1-2).

Mantenga las calcomanías limpias y legibles en todo momento. Póngase en contacto con el distribuidor local de servicio o la fábrica para solicitar reemplazos de cualquier calcomanía que se encuentre dañada o que falte en la unidad.

Consulte las páginas de la Lista de Piezas de este manual para verificar las ubicaciones, descripciones y números de piezas.

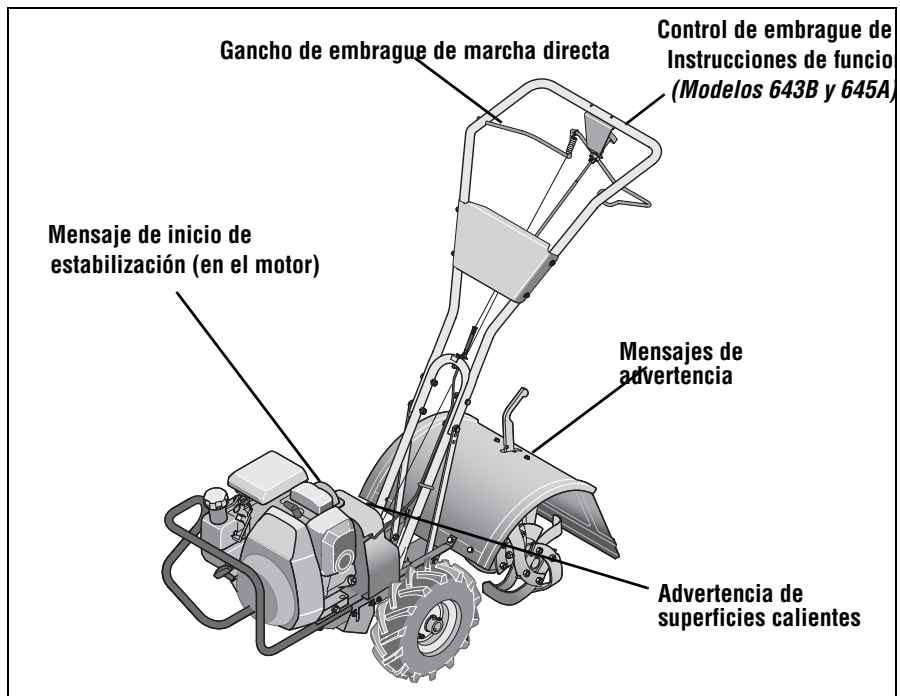


Figura 1-2: Ubicación de las calcomanías de seguridad y operativas.

Símbolos de operación						
Se pueden usar diversos símbolos (que se muestran aquí, con textos de descripción) en la cultivadora y el motor.						
<b>VELOCIDAD RÁPIDA</b>	<b>VELOCIDAD LENTA</b>	<b>DETENCIÓN</b>	<b>OBTURADOR ON (encendido)</b>	<b>OBTURADOR OFF (apagado)</b>	<b>MARCHA ATRÁS</b>	<b>DIENTES ROTATORIOS</b>
			<b>GANCHO ENGRANADO</b>	<b>GANCHO DESENGRANADO</b>	<b>DIRECCIÓN DE LA CULTIVADORA</b>	<b>DIRECCIÓN DE LA PALANCA</b>

ADVERTENCIA

PARA EVITAR LESIONES GRAVES:

- LEA EL MANUAL DEL PROPIETARIO.
- CONOZCA LA UBICACIÓN Y FUNCIÓN DE TODOS LOS CONTROLES.
- MANTENGA TODOS LOS DISPOSITIVOS DE SEGURIDAD EN SU LUGAR Y EN FUNCIONAMIENTO.
- NUNCA PERMITA QUE NIÑOS O ADULTOS SIN CAPACITACIÓN OPEREN LA CULTIVADORA.
- APAGUE EL MOTOR Y DESCONECTE EL CABLE DE LA BUJÍA ANTES DE DESTAPAR MANUALMENTE LOS DIENTES O DE HACER REPARACIONES.
- MANTENGA A LOS OBSERVADORES LEJOS DE LA MÁQUINA.
- MANTÉNGASE ALEJADO DE LAS PARTES ROTATORIAS.
- ADOpte EXTREMA PRECAUCIÓN CUANDO VAYA MARCHA ATRÁS O CUANDO JALE DE LA MÁQUINA HACIA USTED.



## SECCIÓN 2: ENSAMBLADO



**ADVERTENCIA:** Para evitar lesiones personales o daños materiales, no arranque el motor hasta después de haber completado todos los pasos de ensamblado y de haber leído y comprendido las instrucciones de seguridad y operativas de este manual.

### INTRODUCCIÓN

Siga atentamente los pasos de montaje para preparar correctamente la cultivadora para su uso. Se recomienda que lea esta sección en su totalidad antes de comenzar la tarea de montaje.

**NOTA:** En este manual aparecen varios modelos de cultivadoras. Use únicamente la información apropiada para su modelo de cultivadora. Los estilos de motor varían según el modelo. El motor de su máquina puede verse diferente a los ilustrados en este manual.

### INSPECCION LA UNIDAD

Inspeccione la unidad y la caja para verificar si hay daños inmediatamente después de recibir el equipo. Póngase en contacto con la empresa transportista (compañía de fletes) si encuentra o sospecha que existe algún daño. Infórmela acerca del daño y solicite las instrucciones para presentar un reclamo. Para proteger sus derechos, haga su reclamo por escrito y envíe copia al transportista dentro de los 15 días posteriores a la entrega de la unidad. Póngase en contacto con Troy-Bilt LLC si necesita ayuda sobre el particular.

### HERRAMIENTAS / MATERIALES NECESARIOS

- (2) llave de extremo abierto\* de 1/2"
- (2) llave de extremo abierto\* de 9/16"
- (1) llave de extremo abierto\* de 3/8"
- (1) Llave ajustable grande (únicamente modelos 643B y 645A)
- (1) Tijera (para recortar las ataduras plásticas)
- (1) Regla (para controlar la tensión de la correa)
- (1) Bloque de madera (para sostener la cultivadora cuando se sacan las ruedas)
- (1) Manómetro para los neumáticos (para los modelos que tienen neumáticos)
- (1) Embudo limpio para aceite
- (1) Aceite de motor. Consulte el Manual del Motor del Propietario para ver las especificaciones del aceite y la cantidad necesaria.

\* Se pueden usar llaves ajustables.

### PASOS PARA EL ENSAMBLADO

#### PASO 1: INSTRUCCIONES PARA DESEMBALAR

**NOTA:** Al desembalar el equipo, no doble demasiado ningún cable de control.

1. La cultivadora pesa aproximadamente 133 libras. No intente retirarla de la plataforma de embarque hasta el momento indicado en estos Pasos para el ensamblado.
2. Retire todo el material de embalaje de la caja. Retire todas las grapas del fondo de la caja y quite la caja de la plataforma de embarque.
3. Retire todas las piezas no ensambladas y la bolsa de elementos de ferretería separada de la caja. Verifique que estén todos los elementos listados en la Lista de Piezas Sueltas (póngase en contacto con el distribuidor local o la fábrica respecto de los elementos faltantes o dañados).

**NOTA:** Use la plantilla de longitud de los tornillos (Fig. 2-1) para identificar los tornillos.

#### Lista de piezas sueltas

Ctdad.	Descripción
1	Soporte de las barras de control (vea A, Fig. 2-2)
1	Montaje de las barras de control (vea K, Fig. 2-2) Contenido de la bolsa de elementos de ferretería:
4	Tornillo de cabeza hexagonal, 5/16"-18 x 1-1/2"
2	Tornillo de cabeza hexagonal, 3/8"-16 x 3/4"
2	Arandela plana, 3/8"
4	Arandela de seguridad hendida, 5/16"
4	Tuerca hexagonal, 5/16"-18
2	Tuerca de seguridad hexagonal, 3/8"-16

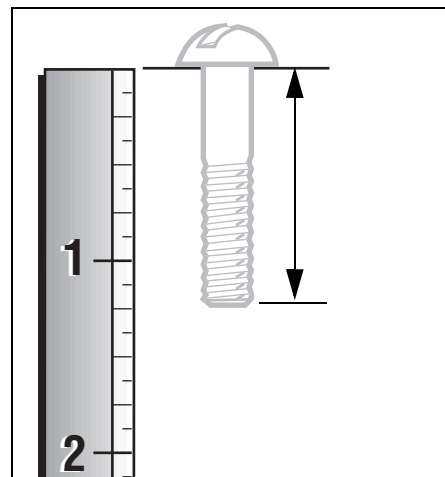
\*Únicamente modelos 643B y 645A

**IMPORTANTE:** Se debe agregar aceite de motor al cárter antes de arrancar el motor. Siga las instrucciones de esta sección y del Manual del Motor del Propietario.

**NOTA:** Se consideran los lados IZQUIERDO y DERECHO de la cultivadora tal como se ven desde la posición del operador detrás de las barras de control.

#### PASO 2: ACOPLAMIENTO DE LAS BARRAS DE CONTROL

1. Una las patas de soporte de las barras de control, sin ajustar, (A, Fig. 2-2) a los lados interiores de la estructura de la cultivadora con dos tornillos de cabeza hexagonal de 3/8"-16 x 3/4" (B), arandelas



**Figura 2-1:** Para identificar la longitud de los tornillos, coloque el tornillo sobre la plantilla según se ilustra y mida la distancia entre la parte inferior de la cabeza del tornillo y la

planas de 3/8" y tuercas de seguridad hexagonales de 3/8"-16.

2. Con dos tornillos de 5/16"-18 x 1-1/2" (C), arandelas de seguridad hendidas de 5/16" (D) y tuercas hexagonales de 5/16"-18 (G), una el soporte de las barras de control, sin ajustar, (A) usando los orificios superiores. Apriete los dos tornillos con firmeza.

3. Hay tres orificios de ajuste de la altura en las dos ménsulas de soporte de las barras de control (E y F, Fig. 2-2). Use una configuración que posicione las barras de control aproximadamente al nivel de la cintura cuando los dientes se encuentran aproximadamente 3"-4" dentro del suelo. Una las ménsulas de soporte, sin ajustar, al exterior del conjunto de las barras de control (I) usando dos tornillos de 5/16"-18 x 1-1/2" (G), arandelas de seguridad hendidas de 5/16" (D) y tuercas hexagonales de 5/16"-18 (G). **NOTA:** Si una ménsula de soporte no se mueve, afloje el tornillo (H) y la tuerca de sujeción.

**IMPORTANTE:** Las ménsulas de soporte se deben montar **en el exterior** del conjunto de las barras de control.

4. Apriete con firmeza todos los elementos de ferretería de montaje de las barras de control.

#### PASO 3: SAQUE LA CULTIVADORA DE LA CAJA DE EMBALAJE.

Para deslizar la cultivadora fuera de la plataforma de embarque, coloque las ruedas en posición "ruedas libres", según se indica a continuación:

1. Coloque un bloque resistente debajo de la transmisión para elevar una rueda aproximadamente 1" sobre el piso.

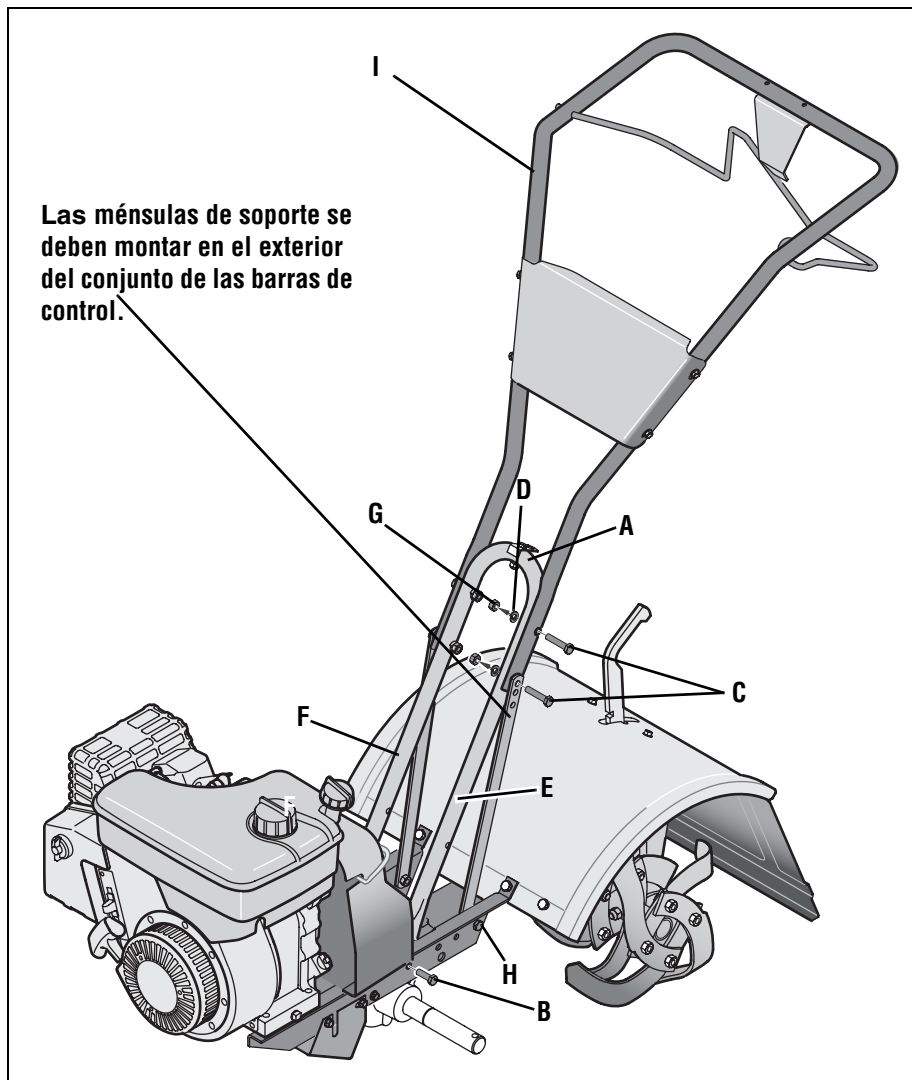


Fig. 2.2: Una la barra de control.

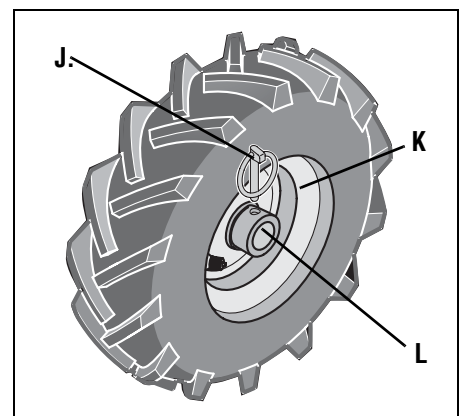


Fig. 2-3: Rueda en la posición RUEDAS LIBRES (pasador de la transmisión en las

### PASO 4: INSTALE EL CABLE DEL EMBRAGUE DE MARCHA DIRECTA

1. Desenrolle cuidadosamente el cable del embrague de marcha directa (cable sin perilla adosada) de la posición de embarque y deslice el alambre delgado del cable (M, Fig. 2-4) dentro de la ranura de la ménsula del cable. Empuje el conector del cable (N, Fig. 2-4) hacia arriba a través del orificio de la ménsula hasta que la ranura del conector quede en su lugar.
2. Enrosque la tuerca hexagonal #10-24 (Z, Fig. 2-5) hasta la mitad sobre el tornillo (V) que corre a través del resorte (W, Fig. 2-5).
3. Enrosque el tornillo (V) dentro del ajustador del cable (X).

2. Retire el pasador Klik (J, Fig. 2-3) del cubo de la rueda (K) y eje de la rueda (L).
3. Deslice la rueda totalmente hacia adentro en el eje de la rueda (N, Fig. 2-3). Reinstale el pasador Klik (J) a través del eje de la rueda (L) únicamente (no a través del cubo de la rueda). La rueda debe girar libremente (ruedas libres) sobre el eje de la rueda. Repita el procedimiento con la otra rueda.
4. Use la barra de control para hacer rodar la cultivadora hasta un área plana.

**IMPORTANTE:** Antes de arrancar el motor, las ruedas se deben colocar en la posición TRANSMISIÓN EN LAS RUEDAS (pasadores a través de los cubos de las ruedas y del eje de las ruedas). Este procedimiento se describe en *pasadores de transmisión en las ruedas* en la página 10.

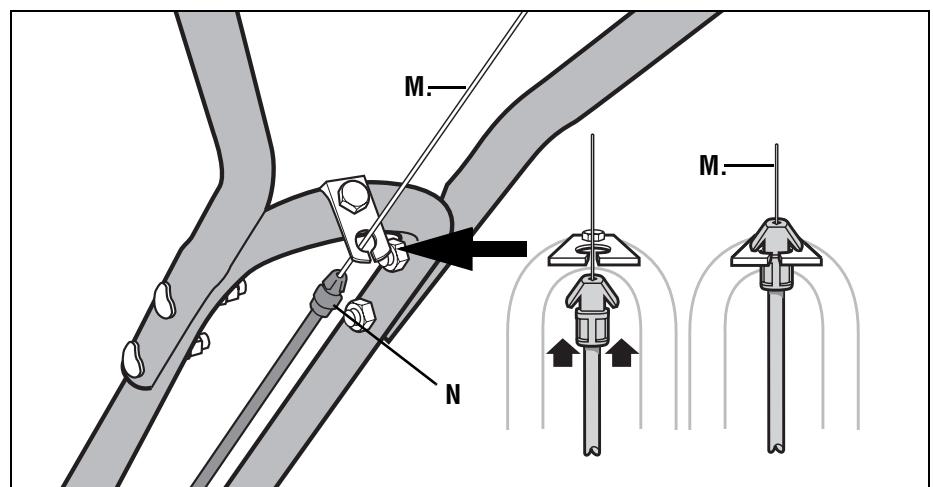


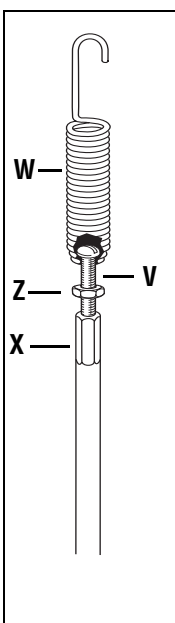
Fig. 2-4: Instalación de la ménsula del cable del embrague de marcha directa y del cable.

4. Verifique la tensión correcta de la correa de transmisión de marcha directa realizando dos mediciones del resorte del cable, de la siguiente forma:

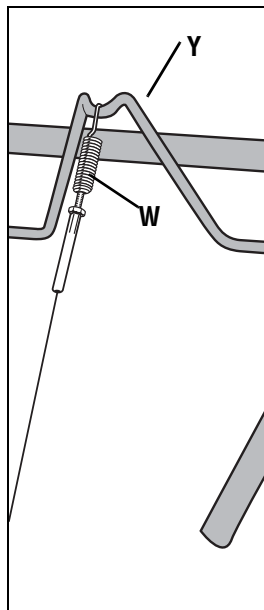
a. Con el gancho del embrague de marcha directa (Y, Fig. 2-6) en posición abierta (suelto), mida la longitud del resorte del cable (W) desde la bobina exterior hasta la bobina interior.

b. Apriete el gancho del embrague de marcha directa contra las barras de control (vea la Fig. 2-7) y vuelva a medir la longitud del resorte. La tensión de la correa es correcta si esta segunda medición es entre 1/16" y 3/16" más larga que la primera medición. Si es así, gire la tuerca hexagonal (Z; Fig. 2-7) apretándola bien contra el ajustador del cable (X) mientras evita que el ajustador gire.

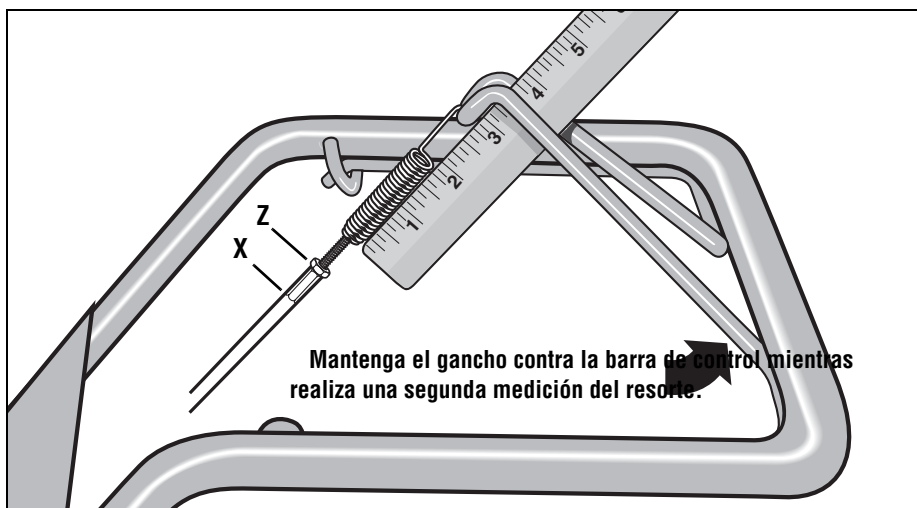
c. Si la longitud del resorte es incorrecta, debe ajustar la tensión del cable según se describe en *Verificación y ajuste de la tensión de la correa de transmisión de marcha directa* en la Sección 5. Una tensión incorrecta del cable puede resultar en el deslizamiento de la correa (tensión de cable demasiado floja) o en el movimiento no intencional de los dientes cuando el gancho del embrague se encuentra en posición neutral (tensión de cable demasiado ajustada).



**Fig. 2-5:** Resorte del cable y ajustador.



**Fig. 2-6:** Una el resorte del cable del embrague de marcha directa al



**Fig. 2-7:** Para verificar la tensión de la correa de marcha directa, realice dos mediciones de la longitud de las bobinas en el resorte – primero con el gancho abierto, luego con el gancho sostenido contra la barra de control.

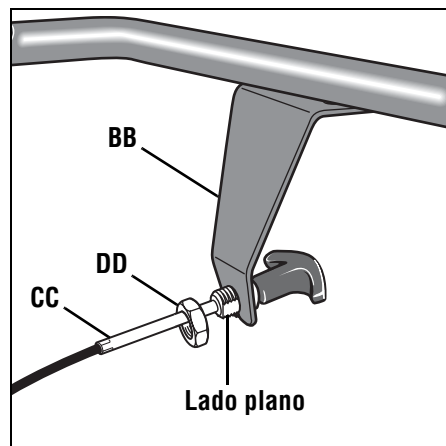
### PASO 5: INSTALE EL CABLE DEL EMBRAGUE DE MARCHA ATRÁS (ÚNICAMENTE MODELOS 643B Y 645A)

1. Desenrolle el cable del embrague de marcha atrás (CC, Fig. 2-8 y Fig. 2-9) de su posición de embarque y oriéntelo hacia la barra de control. Asegúrese que el cable esté colocado debajo del gancho del embrague de marcha directa.

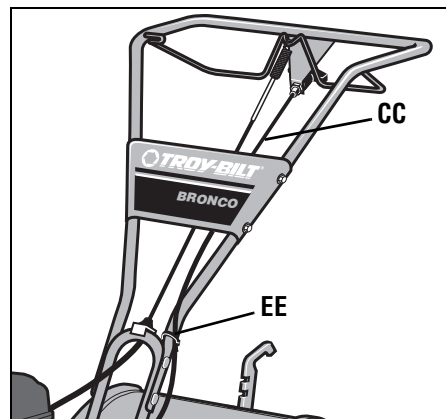
2. Inserte el cable (CC, Fig. 2-8) a través de la ranura de la ménsula del cable y posicione el lado plano del conjunto roscado junto al lado plano del orificio. Deslice la tuerca hexagonal (DD) subiendo por el cable y ajústela con firmeza.

3. Una el cable del embrague de marcha atrás a la barra de control del lado izquierdo con una unión de cable (EE, Fig. 2-9).

4. Pruebe el funcionamiento del embrague de marcha atrás jalando hacia afuera y soltando la perilla del cable. La perilla debe volver a la posición neutral (apoyada contra la ménsula). Si no es así, póngase en contacto con el distribuidor local o con Troy-Bilt LLC para solicitar asistencia técnica.



**Fig. 2-8:** Instale la ménsula del cable de marcha atrás y el cable del embrague de marcha atrás.



**Fig. 2-9:** Inserte el cable del embrague de marcha atrás (CC) como se muestra. Una con

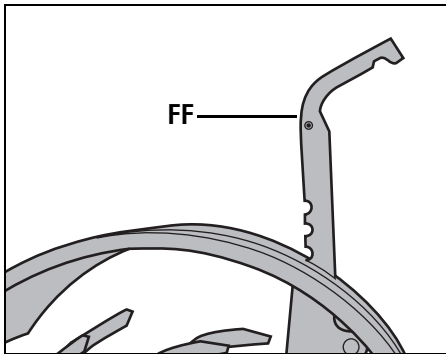


## PASO 6: VERIFICACIÓN del nivel del ACEITE DE TRANSMISIÓN

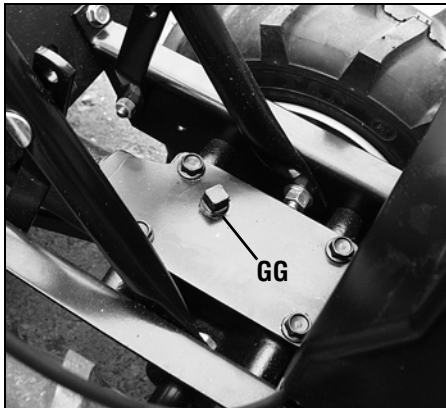
La transmisión se llena de aceite de engranajes en fábrica. Sin embargo, debe verificar el nivel de aceite de engranajes en este momento, para asegurarse que sea correcto.

**IMPORTANTE:** No opere la cultivadora si el nivel de aceite de engranajes es bajo. Si lo hace se pueden producir daños graves en los componentes de la transmisión.

1. Con la cultivadora a nivel del suelo, jale la palanca del regulador de profundidad (FF, Fig. 2-10) hacia atrás y luego completamente hacia arriba hasta enganchar la ranura más baja en la palanca.
2. Saque el tapón de llenado de aceite (GG, Fig. 2-11) de la tapa del alojamiento de la transmisión y ubique el eje de la transmisión principal situado dentro del alojamiento.
3. El nivel de aceite de engranajes es correcto si el mismo llega aproximadamente hasta la mitad del lado del eje de transmisión principal.
4. Si el nivel de aceite es bajo, agregue aceite de engranajes consultando *A. Verificación del nivel de aceite de engranajes de la transmisión* en la Sección 5.



**Fig. 2-10:** Ajuste la palanca del regulador de profundidad.



**Fig. 2-11:** Saque el tapón de llenado de aceite de engranajes.

## PASO 7: AGREGUE ACEITE DE MOTOR

La cultivadora se envía *sin* aceite en el motor.

**IMPORTANTE:** No arranque el motor sin antes haber agregado aceite de motor. Si el motor funciona sin aceite se pueden producir daños graves del motor.

1. Consulte el Manual del Motor del Propietario que se entrega por separado para ver las especificaciones y capacidad de aceite de motor.
2. Con la cultivadora a nivel del suelo, mueva la palanca del regulador de profundidad (FF, Fig. 2-10) hacia arriba o hacia abajo hasta que el motor esté nivelado.
3. Agregue aceite de motor según se describe en el Manual del Motor del Propietario.
4. Mueva la palanca del regulador de profundidad totalmente hacia abajo hasta enganchar la muesca más alta. Esto coloca los dientes en la posición "de desplazamiento", lo cual permite que la cultivadora se traslade sin que los dientes toquen el suelo.

## PASO 8: VERIFICACIÓN DE LOS ELEMENTOS DE FERRETERÍA

Controle el ajuste de todas las tuercas y los pernos.

## PASO 9: VERIFIQUE LA PRESIÓN DE AIRE DE LOS NEUMÁTICOS (unidades con neumáticos)

Verifique la presión de aire con un manómetro para neumáticos. Desinfe o infle los neumáticos en forma uniforme entre 15 PSI y 20 PSI (libras por pulgada cuadrada). Asegúrese que los dos neumáticos estén inflados en forma uniforme o la unidad tirará hacia un lado.

**IMPORTANTE:** Esto completa los pasos de montaje. Antes de operar la cultivadora, asegúrese de leer las siguientes secciones de este Manual, así como también el Manual del Motor del Propietario que se entrega por separado:

- Sección 1: *Seguridad*
- Sección 3: *Características y controles*
- Sección 4: *Funcionamiento*

## SECCIÓN 3: CARACTERÍSTICAS Y CONTROLES



**ADVERTENCIA:** Antes de operar la máquina, lea cuidadosamente y comprenda todos los controles y las instrucciones de seguridad y operación de este manual, del Manual del Motor del Propietario que se entrega por separado y de las calcomanías que se encuentran en la máquina. Si no se observan estas instrucciones se pueden producir lesiones personales graves.

### INTRODUCCIÓN

Esta sección describe la ubicación y la función de los controles en la cultivadora. Consulte la siguiente sección, *Funcionamiento* para ver las instrucciones operativas en detalle.

Ejercite el uso de estos controles, con el motor apagado, hasta que comprenda el funcionamiento de los controles y se sienta seguro con cada uno de ellos.

### CONTROLES DEL MOTOR

Consulte el Manual del Motor del Propietario que entrega el fabricante (incluido en el paquete de material impreso referido a la cultivadora) para identificar los controles del motor.

**IMPORTANTE:** El control para detener el motor está ubicado sobre el motor.

### PASADORES DE TRANSMISIÓN DE LAS RUEDAS

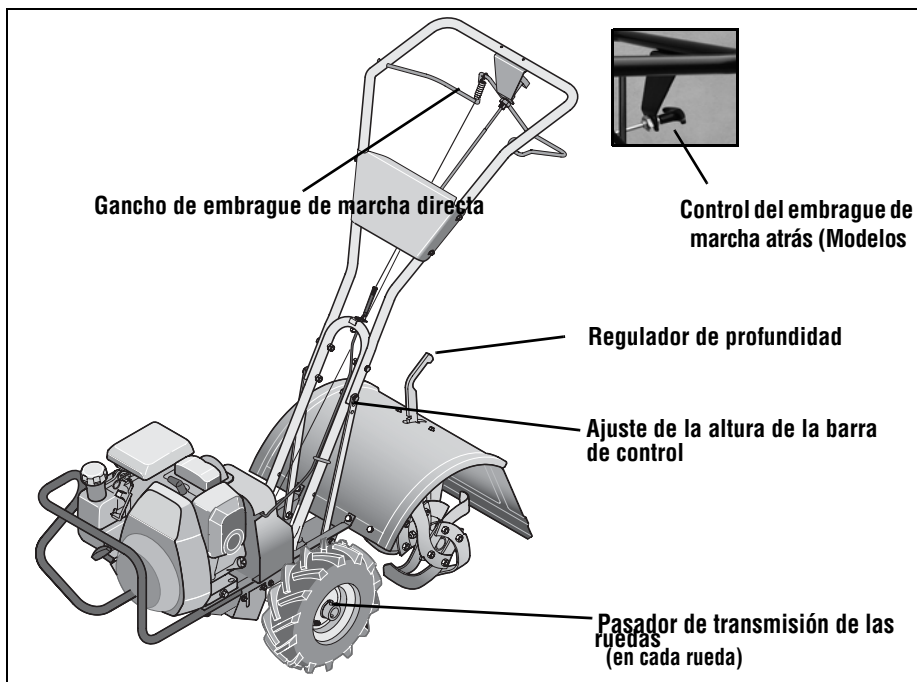
Cada rueda está equipada con un pasador Klik de transmisión en las ruedas (A, Figuras 3-2 y 3-3) que ajusta la rueda al eje de la rueda (B). Las ruedas se pueden posicionar ya sea en el modo TRANSMISIÓN EN LAS RUEDAS o RUEDAS LIBRES.



**ADVERTENCIA:** Nunca deje que ninguna de las ruedas se encuentre en posición RUEDAS LIBRES mientras el motor está en funcionamiento. Siempre coloque las dos ruedas en la posición TRANSMISIÓN EN LAS RUEDAS antes de arrancar el motor.

Si no se cumple esta indicación, se podría producir la pérdida del control de la cultivadora, daños materiales o lesiones personales.

Antes de arrancar el motor, coloque las dos ruedas en la posición TRANSMISIÓN EN LAS RUEDAS insertando los pasadores Klik de transmisión en las ruedas a través de los cubos de las ruedas y del eje de las ruedas. De este modo las ruedas "quedan trabadas" en el eje de



**Figura 3-1: Características y controles de la cultivadora. Vea el Manual del Motor del Propietario que se entrega por separado para identificar los controles del motor.**

las ruedas, haciendo que giren cuando se engrana el gancho del embrague de marcha directa (todos los modelos) o el control del embrague de marcha atrás (modelos 643B y 645A).

Use el modo RUEDAS LIBRES sólo cuando el motor no esté en marcha. En el modo RUEDAS LIBRES, los pasadores de transmisión en las ruedas están colocados únicamente a través de los agujeros del eje de las ruedas (no de los cubos de las ruedas), lo cual permite que las ruedas giren libremente cuando la cultivadora se mueve de forma manual.

#### Para colocar las ruedas en modo TRANSMISIÓN EN LAS RUEDAS o RUEDAS LIBRES:

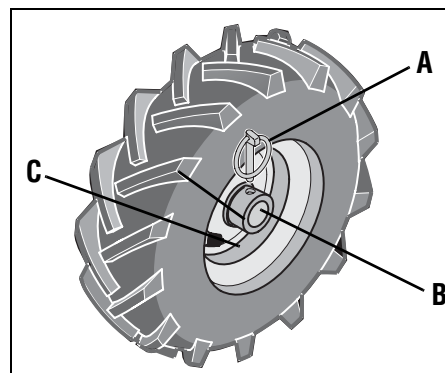
1. Detenga el motor, desconecte el cable de la bujía de la bujía y deje enfriar el motor.



**ADVERTENCIA:** No coloque la cultivadora sobre el costado al cambiar las posiciones de la transmisión en las ruedas. Si lo hace se producirá pérdida de gasolina del tanque de combustible. Si no se observan estas instrucciones se pueden producir lesiones personales o daños materiales.

2. Levante una rueda alrededor de una pulgada sobre el nivel del suelo y coloque un soporte resistente debajo de la transmisión.

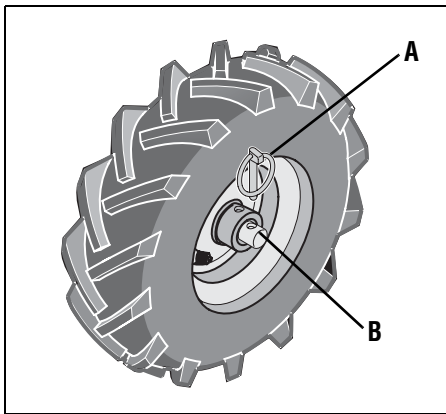
3. Retire el pasador Klik (A, Figuras 3-2 y 3-3) del eje de transmisión en las ruedas (B).



**Figura 3-2: Posición TRANSMISIÓN EN LAS RUEDAS.**

4. **PARA el modo de TRANSMISIÓN EN LAS RUEDAS** (Figura 3-2): Deslice la rueda hacia afuera y alinee los orificios en el cubo de la rueda (D, Figura 3-2) y en el eje de la rueda (B). Inserte el pasador Klik (A) a través del cubo de la rueda (C) y del eje de la rueda (B). Repita con la otra rueda y luego retire el soporte que está debajo de la transmisión.

5. **PARA EL MODO DE RUEDAS LIBRES** (Figura 3-3): Deslice la rueda hacia adentro e inserte el pasador Klik (A, Figura 3-3) únicamente a través del orificio del eje de la rueda (B). Repita con la otra rueda y luego retire el soporte que está debajo de la transmisión.



**Figura 3-3: Posición RUEDAS LIBRES.**



**ADVERTENCIA:** Antes de arrancar el motor, asegúrese que las dos ruedas se encuentren en posición TRANSMISIÓN EN LAS RUEDAS. Vea *Pasadores de transmisión en las ruedas* para consultar las instrucciones. Si se engrana el gancho del embrague de marcha directa o el control del embrague de marcha atrás (en caso de haber) cuando las ruedas no están en TRANSMISIÓN EN LAS RUEDAS, los dientes podrían propulsar rápidamente la cultivadora hacia adelante o hacia atrás. Si no se cumple esta indicación, se podría producir la pérdida del control de la cultivadora, daños materiales o

lesiones personales.

### GANCHO DEL EMBRAGUE DE MARCHA DIRECTA

El gancho del embrague de marcha directa (D, Figura 3-4) controla el engranado de la marcha directa en las ruedas y dientes.

**Para operar el gancho del embrague de marcha directa:**

1. Coloque las ruedas en posición TRANSMISIÓN EN LAS RUEDAS (vea la “ADVERTENCIA” formulada más arriba).

2. Levante y sostenga el gancho del embrague (D, Figura 3-4) contra la barra de control para arrancar las ruedas y los dientes rotando hacia adelante.

3. Suelte el gancho del embrague para desengranar (detener) las ruedas y los dientes (el motor seguirá funcionando).

### CONTROL DE EMBRAGUE DE MARCHA ATRÁS (Únicamente modelos 643B y 645A)

El control del embrague de marcha atrás (E, Figura 3-4) controla el engranado de la marcha atrás en las ruedas y dientes. **La función de marcha atrás se usa únicamente para maniobrar con la cultivadora – nunca engrane los dientes en el suelo cuando opera en marcha atrás.**



**ADVERTENCIA:** Adopte extrema precaución cuando vaya marcha atrás o cuando jale de la máquina hacia usted. Mire hacia atrás para evitar cualquier obstáculo. Nunca intente labrar la tierra marcha atrás. Si no se observa esta advertencia se pueden producir lesiones personales o daños materiales.

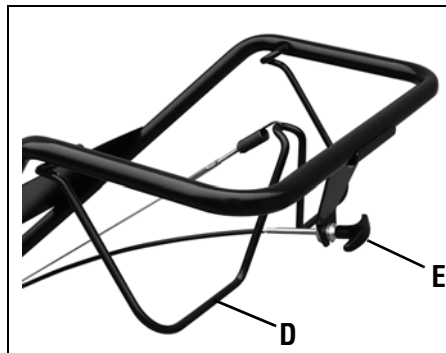
**Para operar el control del embrague de marcha atrás:**

1. Coloque las ruedas en posición TRANSMISIÓN EN LAS RUEDAS (vea la “ADVERTENCIA” formulada sobre la izquierda).

2. Detenga cualquier movimiento de la cultivadora soltando el gancho del embrague de marcha directa.

3. Levante la barra de control hasta que los dientes estén separados del suelo, mire hacia atrás para evitar cualquier obstáculo y luego jale de la perilla de control (E, Figura 3-4) hacia afuera. Las ruedas y los dientes rotarán en dirección inversa.

4. Suelte la perilla de control para desengranar (detener) las ruedas y los dientes (el motor seguirá funcionando).



**Figura 3-4: Todos los modelos tienen un gancho de embrague de marcha directa (E). Solamente el modelo 634A tiene control de**

### PALANCA DEL REGULADOR DE PROFUNDIDAD

Esta palanca (F, Figura 3-5) controla la profundidad de labranza de los dientes. Tire la palanca hacia atrás y deslícela hacia arriba o hacia abajo para engranar los valores de altura de la muesca.

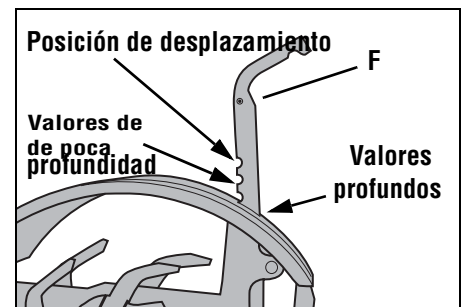
La posición “de desplazamiento” (muesca más alta) levanta los dientes aproximadamente 1-1/2” por encima del suelo, permitiendo a la cultivadora moverse sin hacer contacto con el suelo. Esta configuración también se debe usar al arrancar el motor.

Si se mueve la palanca hacia arriba aumentará la profundidad de labranza. La muesca más baja permite una profundidad de labranza de aproximadamente 6”, según las condiciones del suelo. Para obtener mejores resultados, siempre comience a realizar la labranza a un valor de muy poca profundidad y vaya aumentando gradualmente la profundidad.



**ADVERTENCIA:** No intente realizar la labranza a demasiada profundidad con demasiada rapidez. Vaya aumentando la profundidad del trabajo gradualmente. Coloque la palanca del regulador de profundidad en la posición de “desplazamiento” antes de arrancar el motor. Esta posición evita que los dientes toquen el suelo hasta el momento de comenzar realmente la tarea de labranza. Si no se observa esta advertencia se pueden producir lesiones personales o daños materiales.

### AJUSTE DE LA ALTURA DE LA BARRA DE CONTROL



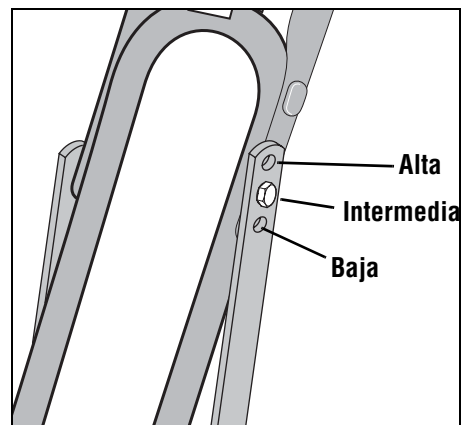
**Figura 3-5: Palanca del regulador de profundidad (G).**

La altura de la barra de control se ajusta en tres valores diferentes (Figura 3-6). En general, ajuste las barras de control de modo que queden al nivel de la cintura cuando los dientes están a 3” - 4” dentro del suelo.

**Para ajustar las barras de control:**

1. Detenga el motor, desconecte el cable de la bujía de la bujía y deje enfriar el motor.

2. Retire los elementos de ferretería, vuelva a posicionar las barras de control y reinstale los elementos de ferretería fijándolos adecuadamente.



**Figura 3-6: Ajuste de la altura de la barra de**

## SECCIÓN 4: OPERACIÓN



**ADVERTENCIA:** Antes de operar la máquina, lea cuidadosamente y comprenda todos los controles de seguridad (Sección 1) y las instrucciones de operación (Sección 3) de este manual (Sección 4), del Manual del Motor del Propietario que se entrega por separado y de las calcomanías que se encuentran en la máquina. Si no se observan estas instrucciones se pueden producir lesiones personales graves.

### INTRODUCCIÓN

Antes de arrancar el motor lea esta sección sobre Funcionamiento y el Manual del Motor del Propietario que se entrega por separado. Luego tómese el tiempo necesario para familiarizarse con el funcionamiento básico de la cultivadora antes de usarla en el jardín. Busque un área abierta y nivelada y practique el uso de los controles de la cultivadora sin que los dientes engranen en el suelo (coloque los dientes en la configuración "de desplazamiento"). Únicamente después de haberse familiarizado completamente con la cultivadora podrá comenzar a usarla en el jardín.

### FUNCIONAMIENTO INICIAL

Realice el siguiente mantenimiento después de las primeras dos (2) horas de funcionamiento inicial (vea la Sección Mantenimiento de este manual y del Manual del Motor del Propietario).

1. Cambie el aceite del motor.
2. Verifique si hay algún elemento de ferretería suelto o faltante en la unidad. Ajústelo o cámbielo según sea necesario.
3. Verifique la tensión en la correa de transmisión de marcha directa.
4. Verifique el nivel de aceite de engranajes de la transmisión.

### ARRANQUE Y DETENCIÓN

#### Lista de verificación previa al arranque

Con el cable de la bujía desconectado de la bujía, realice los siguientes controles y servicios antes de usar la máquina:

1. Lea las secciones de Seguridad y Controles de este manual. Lea el Manual del Motor del Propietario que se entrega con la unidad.
2. Coloque las ruedas en la posición TRANSMISIÓN EN LAS RUEDAS (los pasadores de las ruedas deben atravesar los orificios de los cubos de las ruedas y del eje de las ruedas).
3. Verifique si hay algún elemento de ferretería suelto o faltante en la unidad. Realice el mantenimiento según sea necesario.
4. Revise el nivel de aceite del motor. Vea el Manual del Motor del Propietario.
5. Verifique que todas las guardas y cubiertas de seguridad se encuentren en su lugar.

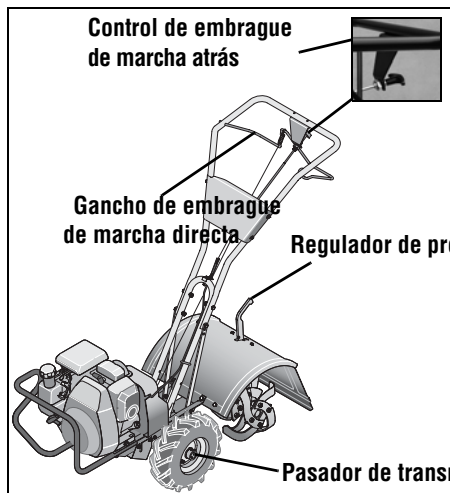


Fig. 4-1

6. Verifique el filtro de aire y el sistema de enfriamiento del motor. Vea el Manual del Motor del Propietario.



**ADVERTENCIA:** LA GASOLINA ES SUMAMENTE INFLAMABLE Y SUS VAPORES SON EXPLOSIVOS. Siga las normas de seguridad en la manipulación de la gasolina que figuran en este manual (vea la Sección 1) y en el Manual del Motor del Propietario que se entrega por separado. Si no se observan las instrucciones referidas a la gasolina se pueden producir lesiones personales graves y daños materiales.

7. Llene el tanque de gasolina de acuerdo con las instrucciones del Manual del Motor del Propietario que se entrega por separado. Siga todas las instrucciones y normas de seguridad atentamente.

8. Conecte el cable de la bujía a la misma.

#### Encendido del motor

Los siguientes pasos describen la forma de arrancar y detener el motor.



**ADVERTENCIA:** No intente engranar los dientes o las ruedas hasta después de haber leído todas las instrucciones operativas que aparecen en esta sección. Además, revise las normas de seguridad de la Sección 1: Seguridad, y la información sobre los controles del motor y la cultivadora de la Sección 3: Características y controles.

1. Complete la Lista de control previa al arranque que aparece en esta página.
2. Coloque las ruedas en la posición

TRANSMISIÓN EN LAS RUEDAS (vea Pasadores de transmisión en las ruedas en la Sección 3 de este manual).



**ADVERTENCIA:** Para ayudar a evitar lesiones personales graves o daños al equipo:

- Antes de arrancar el motor, coloque las dos ruedas en la posición TRANSMISIÓN EN LAS RUEDAS. Nunca deje las ruedas en la posición RUEDAS LIBRES mientras el motor está en funcionamiento. Cuando las ruedas están en posición RUEDAS LIBRES, no retienen la cultivadora y los dientes pueden propulsar la cultivadora rápidamente hacia adelante o hacia atrás.
- Antes de arrancar el motor, coloque el gancho del embrague de marcha directa (todos los modelos) y el control del embrague de marcha atrás (modelos 643B y 645A) en la posición neutral (desengranados) soltando las palancas.
- Nunca encienda el motor en espacios cerrados o en una zona con poca ventilación. El escape del motor contiene monóxido de carbono, un gas inodoro y letal.
- Evite el silenciador del motor y las áreas cercanas. Las temperaturas de estas áreas pueden exceder 150°F.

3. Mueva la palanca del regulador de profundidad totalmente hacia abajo a la posición "de desplazamiento", de modo que los dientes estén separados del suelo.

4. Suelte todos los controles de la cultivadora.

5. En los motores con válvula de paso de combustible, gire la válvula a la posición abierta, según las instrucciones del Manual del Motor del Propietario que se entrega por separado.

6. Coloque el interruptor de encendido y/o la palanca de control del estrangulador ubicado(a) sobre el motor en la posición "ON" (encendido), "RUN" (funcionamiento), "FAST" (velocidad rápida) o "START" (arranque) de acuerdo con las instrucciones del Manual del Motor del Propietario.

7. Ponga el obturador o cebador del motor, según las instrucciones del Manual del Motor del Propietario.

8. Coloque una mano sobre el tanque de combustible para estabilizar la unidad cuando jale de la manija de la cuerda de arranque. Luego use el arrancador de retroceso para arrancar el motor, de acuerdo con las instrucciones del Manual del Motor del Propietario. Cuando arranque el motor, gradualmente mueva la palanca del obturador (en caso de haber) a la posición "NO CHOKE" (sin obturador), "CHOKE OFF" (obturador apagado) o "RUN" (funcionamiento).

9. Use la configuración del estrangulador en velocidad "RÁPIDA" cuando realice tareas de labranza.





### Detención del motor y la cultivadora

1. Para detener las ruedas y los dientes, suelte el gancho del embrague de marcha directa (todos los modelos) o el control del embrague de marcha atrás (modelos 643B y 645A) – independientemente del control que esté en uso.

2. Para detener el motor, coloque el interruptor de encendido y/ o la palanca de control del estrangulador en la posición “OFF” (apagado) o “STOP” (detención).

### FUNCIONAMIENTO DE LA CULTIVADORA

Las siguientes instrucciones de funcionamiento proporcionan pautas para el uso de la cultivadora con eficacia y seguridad. Asegúrese de leer *Sugerencias y técnicas para las tareas de labranza* en esta sección antes de poner concretamente los dientes en el suelo.

Esta es una cultivadora de “dientes que rotan en sentido contrario” (CRT). Funciona de manera diferente a las cultivadoras “que rotan en sentido estándar” (SRT). A medida que las ruedas tiran hacia delante, los dientes rotan hacia atrás, creando una acción de “gancho” que cava en profundidad, arrancando de raíz suelo y malezas.

1. Siga la *Lista de verificación previa al arranque* que aparece al comienzo de esta sección. Asegúrese que las ruedas estén en la posición de TRANSMISIÓN EN LAS RUEDAS.

2. Mueva la palanca del regulador de profundidad totalmente hacia abajo, de modo que los dientes estén fuera del suelo. Use esta posición cuando practique con la cultivadora y cuando se desplace entre los sitios de labranza. Antes de realizar concretamente la tarea de labranza, mueva la palanca a la configuración de profundidad deseada (vea *Sugerencias y técnicas para la labranza*).



Fig. 4-2: Use una mano para guiar la cultivadora al moverse hacia adelante.

3. Arranque el motor y déjelo calentar. Luego coloque el estrangulador en la configuración “VELOCIDAD RÁPIDA.”

4. Para el movimiento de las ruedas hacia adelante y la potencia en los dientes:

(a) Jale el gancho del embrague de marcha directa (Fig. 4-1) hacia arriba contra la barra de control.

Suelte el gancho para detener el movimiento hacia adelante de las ruedas y los dientes.

(b) Cuando realiza la labranza, distiéndase y deje que las ruedas tiren de la unidad mientras los dientes cavan. Camine detrás, levemente hacia un lado de la unidad. Use una mano, pero sujete la barra de control de forma ligera – aunque firme (mientras deja el brazo flojo). Vea la Fig. 4-2. Deje que la unidad se mueva a su propio ritmo y no empuje hacia abajo en las barras de control para intentar forzar los dientes para que caven más profundo – esto quita peso a las ruedas y reduce la tracción.



**ADVERTENCIA:** No empuje hacia abajo sobre las barras de control para intentar hacer que la cultivadora labore más profundo. Esto evita que las ruedas retengan la cultivadora y puede permitir a los dientes propulsar rápidamente la cultivadora hacia adelante, lo cual podría resultar en la pérdida de control, daños materiales o lesiones personales.

5. Para el movimiento hacia atrás de las ruedas y dientes (únicamente modelos 643B y 645A):

(a) Mire hacia atrás con precaución cuando opere marcha atrás. **No realice labranza mientras se desplaza marcha atrás.**

(b) Detenga todo movimiento hacia adelante. Levante la barra de control con una mano hasta que los dientes se separen del suelo y luego tire de la perilla de control del embrague de marcha atrás hacia afuera (vea la Fig. 4-3). Para detener la marcha atrás, suelte la perilla de control del embrague de marcha atrás.

6. Para mover el modelo 643C marcha atrás en distancias cortas:

(a) Suelte el gancho del embrague de marcha directa. Luego levante la barra de control hasta que



Fig. 4-3: Levante los dientes, separándolos del suelo y mire

los dientes se separen del suelo.

(b) Gire la barra de control hacia la izquierda de modo que la rueda derecha “dé” un paso hacia atrás. A continuación gire la barra de control hacia

la derecha de modo que la rueda izquierda “camine” hacia atrás. Repita el proceso según sea necesario. (c) Si es necesario cubrir distancias más largas marcha atrás, apague el motor, luego coloque las dos ruedas en posición RUEDAS LIBRES.

7. Para dar la vuelta con la cultivadora:

(a) Practique dar la vuelta con la cultivadora en un área abierta y nivelada. Tenga cuidado para mantener los pies y las piernas lejos de los dientes.

(b) Para comenzar a voltear, levante las barras de control hasta que los dientes se separen del suelo y el motor y los dientes estén balanceados por encima de las ruedas (Fig. 4-4).

(c) Con la cultivadora equilibrada, empuje hacia el costado sobre la barra de control en la dirección en que se está volteando (Fig. 4-5). Luego de dar la vuelta, lentamente baje los dientes al suelo para reiniciar la labranza.

### Detención de la cultivadora y del motor

1. Para detener las ruedas y los dientes, suelte el gancho del embrague de marcha directa (todos los modelos) o el control del embrague de marcha



Fig. 4-4: Para comenzar a dar la vuelta, levante las barras de control hasta que los



Fig. 4-5: Con los dientes separados del suelo, empuje las barras de control hacia el costado

atrás (modelos 643B y 645A) – independientemente del control que esté en uso.

2. Para detener el motor, coloque el interruptor de encendido y/o la palanca de control del estrangulador en la posición “OFF” (apagado) o “STOP” (detención).

# SUGERENCIAS Y TÉCNICAS PARA LA LABRANZA

## Profundidades



**ADVERTENCIA:** Antes de la labranza, póngase en contacto con la compañía telefónica o de servicios y pregunte si se usa equipamiento o líneas subterráneas en su terreno. No realice labranza cerca de cables eléctricos, líneas telefónicas, caños o mangueras enterrados.

- Esta es una cultivadora de “dientes que rotan en sentido contrario” (CRT). A medida que las ruedas tiran hacia adelante, los dientes rotan hacia atrás. Esto crea una acción de “gancho” de los dientes que cava en profundidad, arrancando de raíz suelo y malezas. No sobrecargue el motor, pero cave lo más profundo posible en cada pasada. En pasadas posteriores, las ruedas pueden tender a girar en el fango blando. Ayúdelas levantando ligeramente la barra de control (una mano, la palma hacia arriba, funciona con mucha facilidad).
- Evite la tentación de empujar hacia abajo sobre las barras de control para forzar a la cultivadora a cavar más profundo. Esto quita peso a las ruedas con potencia, haciéndoles perder tracción. Sin las ruedas para retener la cultivadora, los dientes intentarán propulsar la cultivadora hacia atrás, hacia el operador. (Algunas veces una leve presión hacia abajo sobre las barras de control ayudará a atravesar un sector de tierra o suelo no fracturado particularmente duro, pero en la mayoría de los casos no es necesario).
- Al realizar tareas de labranza (rompiendo la superficie de suelo alrededor de las plantas para destruir las malezas, vea la Fig. 4-9), ajuste los dientes para cavar únicamente a una profundidad de 1” a 2”. El uso de profundidades de labranza menos pronunciadas ayuda a evitar lesiones a las plantas cuyas raíces a menudo crecen cerca de la superficie. Si es necesario, levante las barras de control ligeramente para evitar que los dientes cavén demasiado profundo. (La labranza regular no sólo elimina malezas, sino que además afloja y airea el suelo para mejor absorción de la humedad y crecimiento más rápido de las plantas). Si se riega el área del jardín unos cuantos días antes de la labranza se facilitará esta tarea; también se contribuye permitiendo al suelo recién trabajado asentarse por uno o dos días antes de la pasada final, profunda, de la cultivadora.

## Elección de las velocidades correctas

Con experiencia, podrá encontrar la combinación de profundidad y velocidad de labranza más adecuada a las necesidades de su jardín.

Ajuste la palanca del estrangulador del motor a una velocidad que dé al motor adecuada potencia y que, al mismo tiempo, opere a la velocidad más lenta posible... por lo menos hasta que haya alcanzado la máxima profundidad de labranza que desee. Al realizar las pasadas finales a través del lecho de siembra o al realizar la labranza tal vez sea deseable utilizar velocidades más rápidas del motor. La selección de la velocidad correcta del motor, en relación con la profundidad de labranza, asegurará un nivel de potencia suficiente para hacer la tarea sin someter al motor a excesiva exigencia.

## Deje que la cultivadora haga el trabajo

Mientras realiza la labranza, distiéndase y deje que las ruedas conduzcan la cultivadora mientras los dientes hacen el cavado. Camine del lado que aún no está terminado (para evitar dejar huellas de pisadas en el suelo recién labrado) y sostenga la barra de control ligeramente pero con firmeza, con una sola mano.

## Evite dejar huellas

En lo posible, camine del lado de la unidad por donde el suelo aún no ha sido labrado, para evitar dejar huellas de pisadas en el suelo recién labrado o cultivado. Las huellas de pisadas hacen que el suelo se compacte y pueden impedir la penetración de las raíces y contribuir a la erosión del suelo. También pueden “plantar” semillas de malezas no deseadas en el suelo recién labrado.

## Evite realizar la labranza sobre suelo

La labranza de suelo húmedo a menudo da como resultado grandes terrones de suelo duro que pueden interferir con la plantación. Si el tiempo lo hace posible, espere un día o dos después de lluvias intensas para permitir que el suelo se seque antes de realizar la labranza. Haga una pelota con un

## Preparación de los

• Al preparar el lecho de siembra, recorra la misma senda dos veces en la primera hilera, luego traslape la mitad del ancho de la cultivadora en el resto de las pasadas (vea la Fig. 6). Cuando termine en una dirección, realice una segunda pasada en ángulo recto, según se muestra en la Fig. 4-7. Traslape cada pasada para obtener mejores resultados (en terreno muy duro, puede ser necesario realizar tres o cuatro pasadas para pulverizar el suelo a fondo).



Fig. 4-6

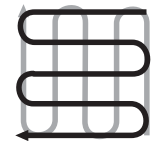


Fig. 4-7

• Si las dimensiones del jardín no permiten la labranza en sentido longitudinal y luego en sentido transversal, entonces traslape las primeras pasadas por la mitad del ancho de la cultivadora, continuando con sucesivas pasadas a un cuarto del ancho (ver Fig. 4-8).



Fig. 4-8

## Labranza

Si realiza la planificación, podrá dejar suficiente espacio entre las hileras para cultivar (vea la Fig. 4-9). Deje espacio para el ancho de la cubierta, más suficiente espacio adicional para crecimiento futuro de las plantas.

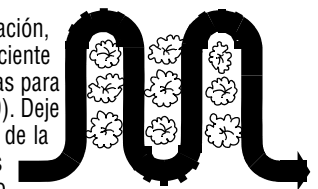


Fig. 4-9

# SUGERENCIAS Y TÉCNICAS DE LABRANZA (CONTINUACIÓN)

## Labranza en

### Lea las siguientes recomendaciones antes de realizar la labranza en pendientes:

Si debe realizar la tarea en una pendiente moderada, por favor tenga en cuenta dos pautas muy importantes:

1. Realice la labranza únicamente en pendientes moderadas, nunca en terreno demasiado empinado donde sea difícil mantener la estabilidad (revise las normas de seguridad de la Sección 1: *Seguridad* de este manual).
2. Recomendamos realizar la labranza subiendo y bajando las pendientes en lugar de hacerlo según un patrón de terrazas. La labranza vertical en una pendiente permite un área máxima de plantación y además deja espacio para el cultivo.

**IMPORTANTE:** Cuando realice la labranza en pendientes, asegúrese de mantener el nivel de aceite correcto en el motor (controle cada media hora de operación). La inclinación de la pendiente hace que el aceite se mueva en sentido oblicuo respecto de su nivel normal y esto puede subalimentar ciertas partes del motor que requieren lubricación. ¡Mantenga el nivel de aceite de motor en el punto más alto en todo momento!

### Labranza cuesta arriba y cuesta abajo (labranza vertical)

- Para mantener la erosión del suelo al mínimo, asegúrese de agregar suficiente materia orgánica al suelo de modo que tenga una textura con adecuado nivel de humedad y trate de evitar dejar huellas de pisadas o marcas de ruedas.
- Al realizar la labranza verticalmente, trate de hacer la primera pasada hacia arriba ya que la cultivadora cava con mayor profundidad cuando sube que cuando baja. En suelo blando o donde hay malezas, puede ser necesario que levante las barras de control levemente al ir cuesta arriba. Al realizar la labranza cuesta abajo, traslape la primera pasada en aproximadamente la mitad del ancho de la cultivadora.



**ADVERTENCIA:** No opere la cultivadora en una pendiente demasiado empinada para una operación segura. Realice la labranza lentamente y asegúrese de estar firmemente parado. Nunca permita que la cultivadora se desplace con las ruedas libres en el descenso de pendientes. Si no se observa esta advertencia se pueden producir lesiones personales.

## Limpieza de los

Los dientes tienen una acción autolimpiante que elimina la mayor parte de los desechos que se enredan en los mismos. Sin embargo, a veces se pueden enredar pasto seco, tallos fibrosos o enredaderas resistentes. Siga estos procedimientos para ayudar a evitar que se formen marañas en los dientes y para limpiarlos, si es necesario.

- Para reducir el enmarañado de elementos en los dientes, ajuste el regulador con un valor de profundidad suficiente para lograr una máxima acción de corte ya que los dientes "pican" los materiales contra el suelo. Asimismo, trate de realizar la labranza debajo de los residuos de cosecha o cultivos de cobertura mientras están verdes, húmedos y tiernos.
- Mientras realiza la labranza, trate de balancear las barras de control de un lado al otro (aproximadamente entre 6" y 12"). La acción de "coleado" a menudo despeja los dientes desprendiendo los desechos.

### Carga y descarga de la cultivadora



**ADVERTENCIA:** La carga y descarga de la cultivadora en un vehículo es potencialmente peligrosa y no recomendamos que se haga a menos que sea absolutamente necesario, ya que esto podría resultar en lesiones personales o daños materiales. Sin embargo, si debe cargar o descargar la cultivadora, siga las pautas que se suministran a continuación.

- Antes de cargar o descargar, detenga el motor, espere que todas las partes dejen de moverse, desconecte el cable de la bujía y deje que el motor y el silenciador se enfríen.
- La cultivadora es demasiado pesada y voluminosa para que una persona la levante con seguridad. Dos o más personas deben repartirse la carga.

- Use rampas resistentes y haga rodar la cultivadora manualmente (con el motor apagado) para subirla o bajarla del vehículo. Para realizar esto se necesitan dos o más personas.
- Las rampas deben ser lo suficientemente fuertes como para soportar el peso combinado de la cultivadora y de los cargadores. Las rampas deben proporcionar buena tracción para evitar resbalones, deben tener rieles laterales para guiar la cultivadora a lo largo de las mismas y deben estar equipadas con un dispositivo de sujeción que las enganche al vehículo.
- Los cargadores deben usar calzado resistente que los ayude a evitar resbalones.
- Posicione el vehículo de carga de modo que el ángulo de la rampa sea lo más plano posible (cuanto menos inclinada sea la rampa, mejor). Apague el motor del vehículo y ponga el freno de estacionamiento.
- Al subir por las rampas, párese en la posición operativa normal detrás de la



**ADVERTENCIA:** Antes de despejar los dientes a mano, detenga el motor, deje que todas las partes en movimiento se detengan y desconecte el cable de la bujía. Retire la llave de encendido en los modelos con arranque eléctrico.

cultivadora y empújela. Una persona a cada lado debe hacer girar las ruedas.

- Al bajar rampas, camine hacia atrás con la cultivadora a continuación. Manténgase alerta por si hay algún obstáculo detrás. Posicione una persona en cada rueda para controlar la velocidad de la cultivadora. Nunca baje la rampa con la cultivadora en primer lugar, ya que la máquina podría voltearse hacia adelante.
- Coloque bloques de madera del lado de las ruedas pendiente abajo si necesita detener la cultivadora mientras baja por la rampa. Además, use los bloques para mantener la cultivadora temporalmente en su lugar en las rampas (en caso de ser necesario), y para calzar las ruedas en su lugar una vez que la cultivadora se encuentre en el vehículo.
- Después de cargar la cultivadora, evite que la misma ruede engranando las ruedas en la posición TRANSMISION EN LAS RUEDAS. Calce las ruedas con bloques y amarre la cultivadora con firmeza.

## SUGERENCIAS Y TÉCNICAS DE LABRANZA (CONTINUACIÓN)

### Jardinería en terrazas (continuación)

• Para crear una terraza, comience en la cima de la pendiente y trabaje hacia abajo. Recorra la primera hilera hacia atrás y hacia adelante como se muestra en la Fig. 4-10.

• El trabajo en cada terraza inferior sucesiva comienza caminando en la terraza debajo de la que está en preparación. Para mayor estabilidad de la cultivadora, siempre mantenga la rueda cuesta arriba en el suelo blando, recién labrado. No realice la labranza en las últimas 12" o más del borde exterior cuesta abajo de cada terraza. Esta franja sin labrar ayuda a evitar que las terrazas se quiebren y desintegren cuesta abajo. También proporciona una senda para caminar entre las hileras.

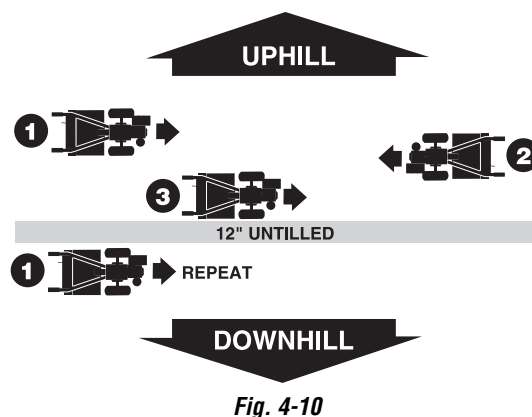


Fig. 4-10

### CARGA Y DESCARGA DE LA CULTIVADORA



**ADVERTENCIA:** La carga y descarga de la cultivadora en un vehículo es potencialmente peligrosa y no recomendamos que se haga a menos que sea absolutamente necesario, ya que esto podría resultar en lesiones personales o daños materiales.

Sin embargo, si debe cargar o descargar la cultivadora, siga las pautas que se suministran a continuación.

• Antes de cargar o descargar, detenga el motor, espere que todas las partes dejen de moverse, desconecte el cable de la bujía y deje que el motor y el silenciador se enfríen.

• La cultivadora es demasiado pesada y voluminosa para que una persona la levante con seguridad. Dos o más personas deben repartirse la carga.

• Use rampas resistentes y haga rodar la cultivadora manualmente (con el motor apagado) para subirla o bajarla del vehículo. Para realizar esto se necesitan dos o más personas.

• Las rampas deben ser lo suficientemente fuertes como para soportar el peso combinado de la cultivadora y de los cargadores. Las rampas deben proporcionar buena tracción para evitar resbalones, deben tener rieles laterales para guiar la cultivadora a lo largo de las mismas y deben estar equipadas con un dispositivo de sujeción que las enganche al vehículo.

• Los cargadores deben usar calzado resistente que los ayude a evitar resbalones.

• Posicione el vehículo de carga de modo que el ángulo de la rampa sea lo más plano posible (cuanto menos inclinada sea la



## SECCIÓN 5: MANTENIMIENTO



**ADVERTENCIA:** Antes de inspeccionar, limpiar o realizar el mantenimiento de la máquina, apague el motor, espere a que todas las partes en movimiento se detengan completamente, desconecte el cable de la bujía y aleje el cable de la bujía. Retire la llave de encendido en los modelos con arranque eléctrico. Si no se observan estas instrucciones se pueden producir lesiones personales

graves o daños materiales.

### PROGRAMA DE MANTENIMIENTO

PROCEDIMIENTO	NOTAS:
Revise el nivel de aceite del motor	2, 3
Limpie el motor	2, 7
Verifique la tensión de la correa de transmisión	1, 4
Verifique las tuercas y los pernos	1, 4
Cambie el aceite de motor	4, 6, 9
Lubrique la cultivadora	4
Realice el mantenimiento del filtro de aire del motor	7
Verifique el nivel de aceite de engranajes de la transmisión	1, 5
Verifique el desgaste de los dientes	5
Verifique la presión de aire de los neumáticos (si la unidad tiene neumáticos)	5
Realice el mantenimiento de la bujía	7

#### NOTAS:

- 1 - Control después de las primeras 2 horas de funcionamiento inicial
- 2 - Antes de cada uso.
- 3 - Cada 5 horas de funcionamiento.
- 4 - Cada 10 horas de funcionamiento.
- 5 - Cada 30 horas de funcionamiento.
- 6 - Cámbielo más frecuentemente cuando haya mucho polvo.
- 7 - Vea el Manual del Motor del Propietario con referencia a las recomendaciones de mantenimiento.
- 8 - El intervalo de tiempo que ocurriere primero.
- 9 - Cámbielo después de las primeras 2 horas de funcionamiento inicial

### LUBRICACIÓN DE LA CULTIVADORA

Después de cada 10 horas de funcionamiento, aceite o engrase los puntos de lubricación que se muestran en la Figura 5-1 y que se describen más abajo.

Use aceite lubricante limpio (es adecuado el aceite para motores de peso #30) y grasa de uso general limpia (es preferible grasa que contenga un lubricante de metal, si hay disponible).

- Retire las ruedas, limpie el eje de las ruedas (A, Fig. 5-1) y aplique una capa delgada de grasa al eje de las ruedas.
- Engrase los lados traseros, frontales y laterales de la palanca del regulador de profundidad (B, Fig. 5-1).
- Retire los dientes y limpie el eje de los dientes (C, Fig. 5-1). Use una lima o papel de lija para quitar suavemente cualquier óxido, rebabas o asperezas (especialmente alrededor de los orificios del eje). Aplique grasa a los extremos del eje antes de instalar los dientes.
- Aceite las roscas de los tornillos de ajuste de altura de las barras de control y los tornillos de

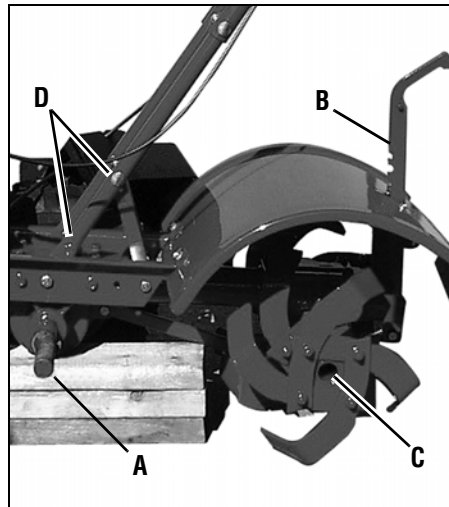


Figura 5-1

### CONTROL DE PÉRDIDAS DE ACEITE

Antes de cada uso, inspeccione la cultivadora para verificar señales de pérdida de aceite – habitualmente una acumulación de suciedad aceitosa ya sea en la unidad o en el piso.

Una pequeña filtración alrededor de una tapa o sello de aceite habitualmente no es motivo de alarma. Sin embargo, si gotea aceite durante la noche, entonces es necesario ocuparse del problema inmediatamente. *Si se ignora una pérdida de aceite se pueden producir daños graves de la transmisión.*

Si una cubierta pierde, verifique si hay tornillos flojos. Si los tornillos están apretados, puede ser necesario instalar una junta nueva o un nuevo sello de aceite.

Si la pérdida se ubica alrededor del eje y sello de aceite, probablemente sea necesario cambiar el sello de aceite. Consulte a su distribuidor autorizado o póngase en contacto con la fábrica para solicitar mantenimiento o asesoramiento.

**IMPORTANTE:** Nunca opere la cultivadora si tiene bajo nivel de aceite de transmisión. Controle el nivel de aceite cada 30 horas de funcionamiento y cada vez que haya una pérdida de aceite.

### VERIFICACIÓN DE LOS ELEMENTOS DE FERRETERÍA

Verifique si hay elementos de ferretería sueltos o faltantes cada 10 horas de operación y ajústelos o cámbielos (según sea necesario) antes de volver a usar la cultivadora

Asegúrese de inspeccionar los tornillos que están debajo de la cubierta de la cultivadora que fijan la cubierta de la transmisión y la palanca del regulador de profundidad a la transmisión.

### VERIFIQUE LA PRESIÓN DE AIRE (Modelos con neumáticos)

Verifique la presión de aire en los dos neumáticos. La presión de aire se debe encontrar entre 15 PSI y 20 PSI (libras por pulgada cuadrada).

Mantenga los dos neumáticos inflados de forma pareja para evitar que la máquina tire hacia un lado.

### MANTENIMIENTO DEL ACEITE DE ENGRANAJES DE LA TRANSMISIÓN

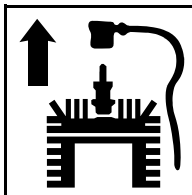
Verifique el nivel de aceite de engranajes de la transmisión cada 30 horas de funcionamiento o cada vez que advierta una pérdida de aceite. Si se opera la cultivadora cuando el nivel de aceite de la transmisión es bajo se pueden producir daños graves.

#### A. Para verificar el nivel de aceite de engranajes de la transmisión:

1. Verifique el nivel de aceite de engranajes cuando la transmisión está fría. El aceite de engranajes se expande en temperaturas de operación cálidas y esta expansión suministra una lectura incorrecta del nivel de aceite.

2. Con la cultivadora a nivel del suelo, tire de la palanca del regulador de profundidad totalmente hacia arriba.

3. Saque el tapón de llenado de aceite (A, Fig. 5-2) del alojamiento de la transmisión y mire adentro del orificio de llenado para ubicar el eje de la transmisión principal situado debajo del orificio.

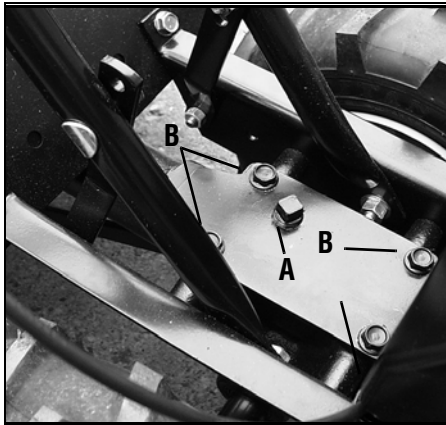


**ADVERTENCIA:** Antes de inspeccionar, limpiar o realizar el mantenimiento de la máquina, apague el motor, espere a que todas las partes en movimiento se detengan completamente, desconecte el cable de la bujía y aleje el cable de la bujía. Si no se observan estas instrucciones se pueden producir lesiones personales graves o daños materiales.

4. El nivel de aceite de engranajes es correcto si el mismo llega aproximadamente hasta la mitad del lado del eje de transmisión principal.

5. Si el nivel de aceite de engranajes es bajo, agregue aceite de engranajes según se describe a continuación. Si el nivel de aceite de engranajes es correcto, vuelva a colocar el tapón de llenado de aceite.

**IMPORTANTE:** No opere la cultivadora si el nivel de aceite de engranajes es bajo. Si lo hace se pueden producir daños graves en los componentes de la transmisión.



**Figura 5-2:** Retire el tapón de llenado de aceite (A) para verificar el nivel de aceite de engranajes y agregar aceite de engranajes.

6. Si se agregan solamente unas pocas onzas de aceite de engranajes, use aceite de engranajes API de grado GL-4 o GL-5 de viscosidad SAE 140, SAE 85W-140 o SAE 80W-90. Si recarga la transmisión por encontrarse vacía, use únicamente aceite de engranajes GL-4 con viscosidad SAE 85W-140 o SAE 140.

**IMPORTANTE:** No use fluido de transmisión automática ni aceite de motor en la transmisión.

7. Mientras controla frecuentemente para evitar sobrellenado, agregue el aceite de engranajes por el orificio de llenado hasta que alcance el punto medio del eje de transmisión.

8. Vuelva a colocar y ajuste el tapón de llenado de aceite.

#### **B. Para drenar el aceite de engranajes de la transmisión:**

El aceite de engranajes de la transmisión no necesita ser cambiado a menos que se contamine con suciedad, arena o partículas de metal.

1. Vacíe la gasolina del tanque o haga funcionar el motor hasta que el tanque de combustible esté vacío. Lea la declaración sobre "PELIGRO" que se proporciona más abajo.



**ADVERTENCIA:** La gasolina es sumamente inflamable y sus vapores son explosivos. Siga estas prácticas de seguridad para evitar lesiones personales o daños materiales por incendio o explosión.

- Deje que el motor y el silenciador se enfríen por lo menos durante dos minutos antes de drenar el tanque de gasolina de la cultivadora.
- No permita que haya llama expuesta, chispas, cerillas ni fumadores en el área.
- Limpie cualquier derrame y empuje la cultivadora lejos del combustible derramado.
- Use únicamente un contenedor de combustible aprobado y almacénelo con seguridad fuera del alcance de los niños.
- No almacene gasolina en un área donde los vapores puedan alcanzar llama expuesta o chispas, o donde existan fuentes de ignición (tales como calentadores de agua, calefactores, hornos, secadoras de ropa, estufas, motores eléctricos, etc.).

2. Drene el aceite del motor.

3. Quite los cuatro tornillos (B, Figura 5-2) y retire la tapa y junta de la transmisión.

4. Retire la rueda del lado izquierdo.

5. Incline el eje de la rueda del lado izquierdo sobre una cubeta de drenaje y deje que el aceite de engranajes drene a través de la parte superior de la transmisión.

6. Vuelva a instalar la rueda.

7. Instale una junta nueva (no vuelva a usar una junta vieja) y vuelva a instalar la cubierta de la transmisión.

8. Llene la transmisión usando aceite de engranajes GL-4 (SAE 85W-140 o SAE 140).

9. Cargue el motor con aceite de motor y llene el tanque de combustible con gasolina.

#### **DIENTES BOLO**

Los dientes bolo se desgastan con el uso y se los debe inspeccionar al comienzo de cada temporada de labranza y a intervalos de 30 horas de funcionamiento. Los dientes se pueden cambiar individualmente o como juego completo. Vea las páginas de la Lista de piezas para consultar la identificación y los números de piezas.

##### **A. Inspección de los dientes:**

Con el uso, los dientes se acortan, se angostan y vuelven puntiagudos. El uso de dientes muy desgastados resultará en la pérdida de la profundidad de labranza y en una menor eficacia para cortar y girar debajo de la materia orgánica.

##### **B. Retiro/Instalación de un solo diente:**

1. Con el motor apagado y el cable de la bujía desconectado, retire los dos tornillos (A, Figura 5-3) y las tuercas (B) que unen un solo diente al soporte de dientes. De ser necesario, use aceite penetrante en las tuercas.

2. Cuando instale un solo diente, asegúrese que lo posición de modo que su *borde cortante (filoso) penetre el suelo primero a medida que la cultivadora se mueve hacia adelante.*

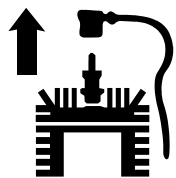
##### **C. Retiro/Instalación de un conjunto de dientes:**

1. Un conjunto de dientes comprende ocho dientes montados en un soporte de dientes.

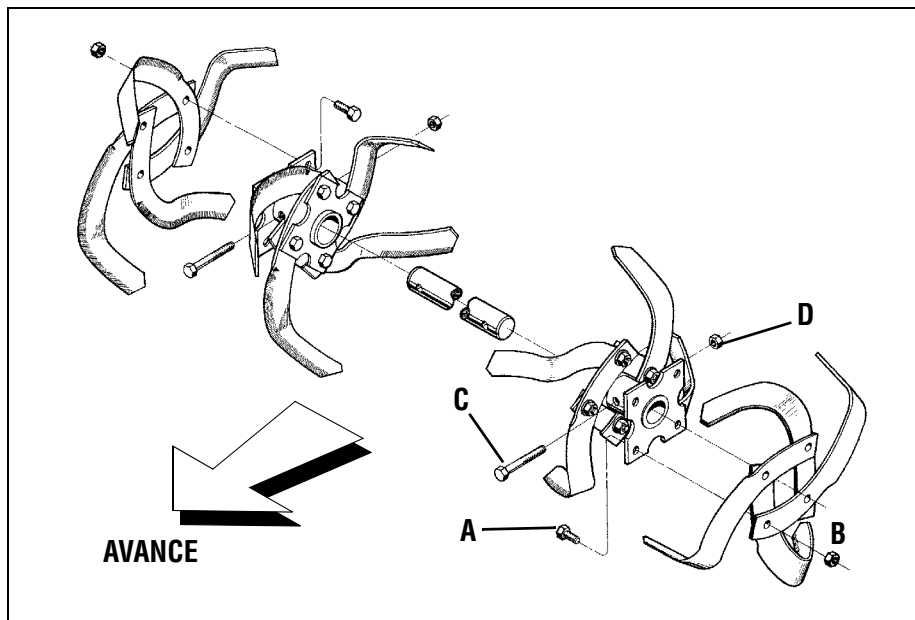
2. Si retira los dos conjuntos de dientes, antes de hacerlos márquelos para identificarlos como "izquierdo" y "derecho". Quite el tornillo (C, Figura 5-3) y la tuerca de seguridad (D) que fija el conjunto de dientes al eje de los dientes. De ser necesario, use una maza de goma para golpear el conjunto de dientes y desplazarlo hacia afuera del eje.

3. Antes de volver a instalar el conjunto de dientes, inspeccione el eje de los dientes para verificar si hay óxido, asperezas o rebabas. Lime o lije ligeramente, según sea necesario. Aplique al eje una capa delgada de grasa.

4. Instale cada conjunto de dientes de modo que el *borde cortante (filoso) de los dientes penetre el suelo primero cuando la cultivadora se mueva hacia adelante.* Fije el conjunto de dientes al eje de dientes usando el tornillo y la tuerca de seguridad.



**ADVERTENCIA:** Antes de inspeccionar, limpiar o realizar el mantenimiento de la máquina, apague el motor, espere a que todas las partes en movimiento se detengan completamente, desconecte el cable de la bujía y aleje el cable de la bujía. Si no se observan estas instrucciones se pueden producir lesiones personales graves o daños materiales.



b. Desenrosque la tuerca hexagonal (C, Figura 5-4) hasta la mitad del recorrido del tornillo de ajuste (D).

c. Desenganche la parte superior del resorte del gancho del embrague de marcha directa.

d. Use pinzas para evitar que el ajustador (B) gire, y gire el tornillo ranurado ubicado dentro del resorte en sentido horario (visto desde la posición del operador) para aumentar la tensión del resorte. Gire el tornillo en sentido antihorario para reducir la tensión. Una vez ajustado, vuelva a unir el resorte al gancho del embrague de marcha directa.

e. Repita los pasos 2 y 3 para volver a medir la longitud del resorte. Cuando la segunda medición se encuentre entre 1/16" y 3/16" más larga que la primera medición, vuelva a apretar la tuerca hexagonal (C) contra la parte superior del ajustador (B).

#### Información para el cambio de la correa

Si es necesario cambiar la correa de transmisión, vea al distribuidor local autorizado o consulte la Lista de piezas para obtener la información y realizar el pedido. Use únicamente correas autorizadas en fábrica, ya que tal vez las correas "genéricas" no suministren un rendimiento satisfactorio. El procedimiento requiere una habilidad mecánica media y herramientas habitualmente disponibles.

### VERIFICACIÓN Y AJUSTE DE LA TENSIÓN DE LA CORREA DE MARCHA DIRECTA

Es importante mantener la tensión correcta de la correa de transmisión de marcha directa. Si la correa está floja los dientes y las ruedas se moverán lentamente – o se detendrán completamente – aún cuando el motor esté en funcionamiento a toda velocidad. Una correa demasiado ajustada puede causar un movimiento no deseado de los dientes cuando el gancho del embrague se encuentre en posición neutral (suelto).

- Controle la tensión de la correa después de las primeras dos horas de funcionamiento inicial y cada 10 horas de funcionamiento.
- Al finalizar cada temporada de labranza, controle la correa para ver si hay grietas, cortes o bordes deshilachados y cámbiela tan pronto como fuere posible.

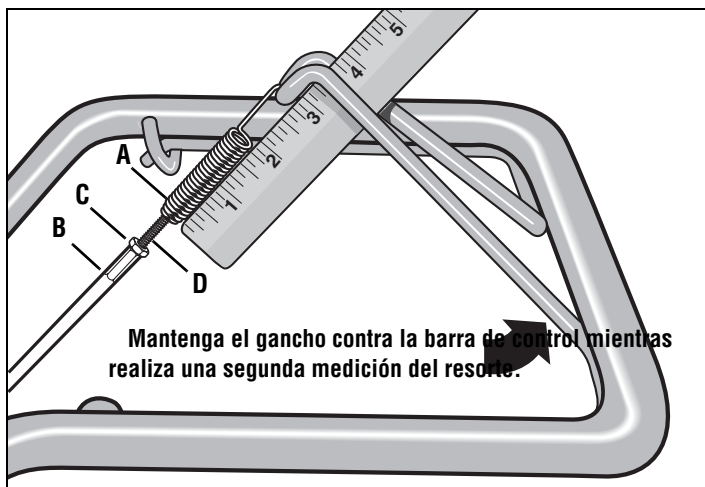
#### Para verificar la tensión de la correa de marcha directa:

1. Detenga el motor, espere a que todas las partes dejen de moverse y desconecte el cable de la bujía.
2. Con el gancho del embrague de marcha directa en posición abierta (suelto), mida y anote la longitud total del resorte del cable (A, Figura 5-4) midiendo desde la bobina exterior hasta la bobina interior.
3. Apriete el gancho del embrague de marcha directa contra la barra de control (vea la Fig. 5-4) y vuelva a medir la longitud de las

bobinas. La tensión de la correa es correcta si esta segunda medición es entre 1/16" y 3/16" más larga que la primera medición.

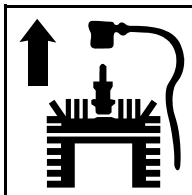
4. Si el resorte es demasiado corto (menos de 1/16"), la tensión es demasiado floja. Si el resorte es demasiado largo (más de 3/16"), la tensión es demasiado ajustada.

5. Para ajustar la longitud del resorte:
  - a. Suelte el gancho del embrague de



**Figura 5-4:** Para verificar la tensión de la correa de marcha directa, realice dos mediciones de la longitud general de las bobinas en el resorte – primero con el gancho del embrague abierto, luego con el gancho del embrague cerrado contra la barra de control.

marcha directa.



**ADVERTENCIA:** Antes de inspeccionar, limpiar o realizar el mantenimiento de la máquina, apague el motor, espere a que todas las partes en movimiento se detengan completamente, desconecte el cable de la bujía y aleje el cable de la bujía. Si no se observan estas instrucciones se pueden producir lesiones personales graves o daños materiales.

## AJUSTE DEL GANCHO DEL EMBRAGUE DE MARCHA DIRECTA

Si el gancho del embrague de marcha directa no funciona adecuadamente, primero verifique que la correa de marcha directa esté adecuadamente ajustada (vea *Verificación y ajuste de la tensión de la correa de la marcha directa*). Si con esto no se corrige el problema, póngase en contacto con Troy-Bilt LLC o con el distribuidor autorizado para asesoramiento de mantenimiento.

## VERIFICACIÓN Y AJUSTE DE LA TENSIÓN DE LA CORREA DE MARCHA ATRÁS (únicamente modelos 643B y 645A)

Es importante mantener la tensión correcta de la correa de transmisión de marcha atrás. Si la correa está floja los dientes y las ruedas se moverán lentamente - o se detendrán completamente - aún cuando el motor esté en funcionamiento a toda velocidad.

Cuando controle la tensión de la correa, también verifique si hay grietas, cortes o bordes deshilachados y cámbiela tan pronto como fuere posible.

- Controle la tensión de la correa después de las primeras dos horas de funcionamiento inicial y cada 10 horas de funcionamiento.

### Para verificar la tensión de la correa de marcha atrás:

- Detenga el motor, espere a que todas las partes dejen de moverse y desconecte el cable de la bujía.
- Quite el tornillo de la cubierta plástica de la correa y deslice la cubierta de la correa (la cual está unida al cable del embrague de marcha directa) hacia afuera.
- Haga que un asistente tire de la perilla de control del embrague de marcha atrás totalmente hacia afuera y manténgala en esa posición. Mida la longitud del alambre del cable entre el extremo del ajustador del cable roscado (A, Figura 5-5) y el extremo del accesorio Z (B) al cual está unido el alambre del cable.
- La tensión de la correa es ideal si la longitud del alambre del cable mide entre 1/8" y 1/4". Si es inferior a 1/8" (y no hay acción de marcha atrás cuando la cultivadora se encuentra en funcionamiento), entonces haga los siguientes ajustes

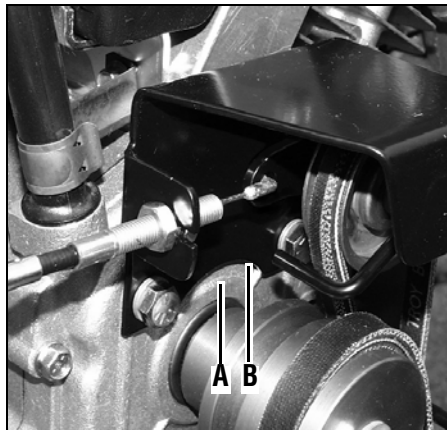
NOTA: Si la longitud es superior a 1/4", no hace falta ningún ajuste - en tanto y en cuanto la acción de marcha atrás funcione adecuadamente.

- Suelte la perilla de control de embrague de marcha atrás y luego desenrosque la contratuerca interior (C, Figure 5-6) de una a dos vueltas. Tire del ajustador de cable roscado (A, Figura 5-6) hacia la izquierda hasta que la contratuerca interior (C) toque la ménsula.

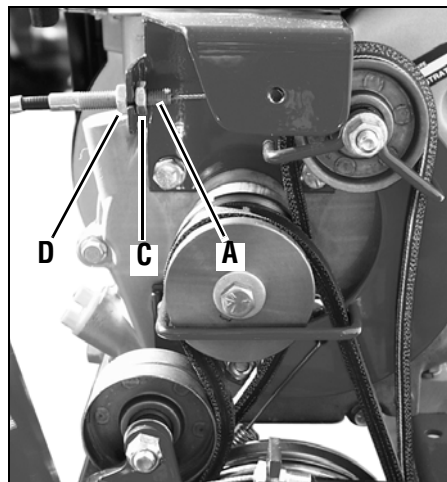
- Evite que la contratuerca interior (C) gire y ajuste la contratuerca exterior (D) contra la ménsula. Evite que la contratuerca exterior (D) gire y ajuste la contratuerca interior (C) contra la ménsula.

- Mida la separación repitiendo el Paso 3. Reajuste según sea necesario repitiendo los Pasos 5 y 6.

- Reinstale la cubierta de la correa.



**Figura 5-5:** Mida la longitud del alambre del cable para verificar la tensión correcta de la correa de marcha atrás.



**Figura 5-6:** Mueva el ajustador roscado (A) hacia la izquierda para aumentar la tensión de la correa.

## Información para el cambio de la correa

Si es necesario cambiar la correa de transmisión, vea al distribuidor local autorizado o consulte la Lista de piezas para obtener la información y realizar el pedido. Use únicamente correas autorizadas en fábrica, ya que tal vez las correas "genéricas" no suministren un rendimiento satisfactorio. El procedimiento requiere una habilidad mecánica media y herramientas habitualmente disponibles.

## LIMPIEZA DEL MOTOR

El mantenimiento del motor limpio ayuda a asegurar una operación sin tropiezos y a evitar daños por recalentamiento. Consulte el Manual del Motor del Propietario para ver los intervalos e instrucciones para la limpieza del motor. Asegúrese que el silenciador esté frío antes de realizar el mantenimiento del motor.

## MANTENIMIENTO DEL FILTRO DE AIRE

El filtro de aire filtra la suciedad y el polvo que hay en el aire antes de que éste ingrese al carburador. El funcionamiento del motor con un filtro de aire sucio, tapado, puede causar un rendimiento inadecuado y dañar el motor. Nunca opere el motor sin el filtro de aire instalado. Inspeccione y realice el mantenimiento del filtro de aire más a menudo en condiciones de gran cantidad de polvo o suciedad. Consulte el Manual del Motor del Propietario para ver los intervalos e instrucciones para la limpieza del filtro de aire.

## MANTENIMIENTO DEL ACEITE DE MOTOR

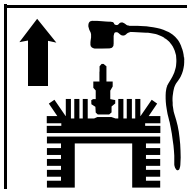
Verifique el nivel de aceite de motor antes del uso y cada cinco horas de funcionamiento continuado. El funcionamiento del motor cuando tiene un bajo nivel de aceite arruina rápidamente el motor.

Se recomienda que cambie el aceite de motor cada 10 horas de funcionamiento y con mayor frecuencia cuando se opere en condiciones de gran cantidad de polvo o suciedad. Consulte el Manual del Propietario del Motor para ver instrucciones detalladas de mantenimiento.

### A. Para verificar el nivel de aceite de motor:

- Estacione la cultivadora en un área nivelada y apague el motor.
- Nivele el motor (use la palanca del regulador de profundidad para ajustar el ángulo del motor).

- Limpie alrededor de la varilla de medición del aceite o del tubo de llenado de aceite (el que



**ADVERTENCIA:** Antes de inspeccionar, limpiar o realizar el mantenimiento de la máquina, apague el motor, espere a que todas las partes en movimiento se detengan completamente, desconecte el cable de la bujía y aleje el cable de la bujía. Si no se observan estas instrucciones se pueden producir lesiones personales graves o daños materiales.

correspondiere) para evitar que caiga suciedad dentro del cárter.

4. En los motores con tubo de llenado de aceite, retire el tapón y agregue aceite (si es necesario) hasta que alcance la parte superior del tubo de llenado. Vuelva a instalar la tapa de llenado.

5. En los motores con varilla de medición, retire la varilla y límpiela. Vuelva a insertar la varilla, ajústela y sáquela. Agregue aceite según sea necesario para que el nivel llegue a la marca LLENO. Limpie la varilla de medición cada vez que verifique el nivel de aceite. No lo llene en exceso. Ajuste la varilla bien.

#### **B. Para cambiar el aceite de motor:**

Cambie el aceite de motor según las instrucciones del Manual del Motor del Propietario.

### **MANTENIMIENTO DE LA BUJÍA**

Inspeccione y limpie o cambie la bujía después de 100 horas de funcionamiento o anualmente. Consulte el Manual del Propietario del Motor para ver instrucciones detalladas para el mantenimiento de la bujía.

En algunas áreas, la ley local exige el uso de bujías de resistor para suprimir las señales de ignición. Si el motor originalmente estaba equipado con una bujía de resistor, use el mismo tipo para el reemplazo.

### **MANTENIMIENTO DEL FILTRO ANTICHISPAS**

Si el silenciador del motor está equipado con un filtro antichispas, sáquelo y límpielo según los intervalos de servicio y las instrucciones del Manual del Motor del Propietario.

### **AJUSTE DE LA PALANCA DEL ESTRANGULADOR**

Si el motor no responde a diversas configuraciones de la palanca del estrangulador, consulte el Manual del Motor del Propietario para obtener información sobre mantenimiento o póngase en contacto con el distribuidor local autorizado de motores.



**ADVERTENCIA:** Los operadores no deben alterar los valores del regulador del motor configurados en la máquina; el regulador controla la velocidad máxima operativa de seguridad para proteger el motor y todas las partes en movimiento de los daños causados por la excesiva velocidad. En caso de problemas, recurra al servicio de mantenimiento autorizado.

### **AJUSTES DE CONTROL DEL CARBURADOR/ REGULADOR**

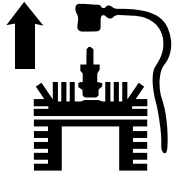
El carburador se ajustó en fábrica para la mejor velocidad operativa. Consulte el Manual del Motor del Propietario para ver cualquier información sobre el ajuste o póngase en contacto con el distribuidor autorizado de motores.

El regulador controla la velocidad operativa segura máxima y protege el motor y todas las partes en movimiento contra los daños causados por la excesiva velocidad. No altere las configuraciones del regulador del motor.

### **ALMACENAMIENTO FUERA DE TEMPORADA**

Si la cultivadora no se ha de utilizar durante un período prolongado, prepárela para el almacenamiento de la siguiente forma:

1. Limpie la cultivadora y el motor.
2. Realice la lubricación de rutina de la cultivadora y verifique si hay piezas o elementos de ferretería sueltos.
3. Proteja el motor y realice el mantenimiento de motor recomendado de acuerdo con las instrucciones para el almacenamiento que se encuentran en el Manual del Motor del Propietario. Asegúrese de proteger las líneas de combustible, el carburador y el tanque de combustible contra los depósitos de goma, retirando el combustible o tratando el mismo con un estabilizador de combustible (siga las recomendaciones del fabricante del motor).
4. Almacene la unidad en una zona limpia y seca.
5. Nunca almacene la cultivadora con combustible en el tanque de combustible en un área cerrada donde las emanaciones de la gasolina podrían alcanzar llama expuesta o chispas, o donde hubiere fuentes de ignición (calefactores, calentadores de agua, hornos, etc.).



**ADVERTENCIA:** Antes de inspeccionar, limpiar o realizar el mantenimiento de la máquina, apague el motor, espere a que todas las partes en movimiento se detengan completamente, desconecte el cable de la bujía y aleje el cable de la bujía. Si no se observan estas instrucciones se pueden producir lesiones personales graves o daños materiales.

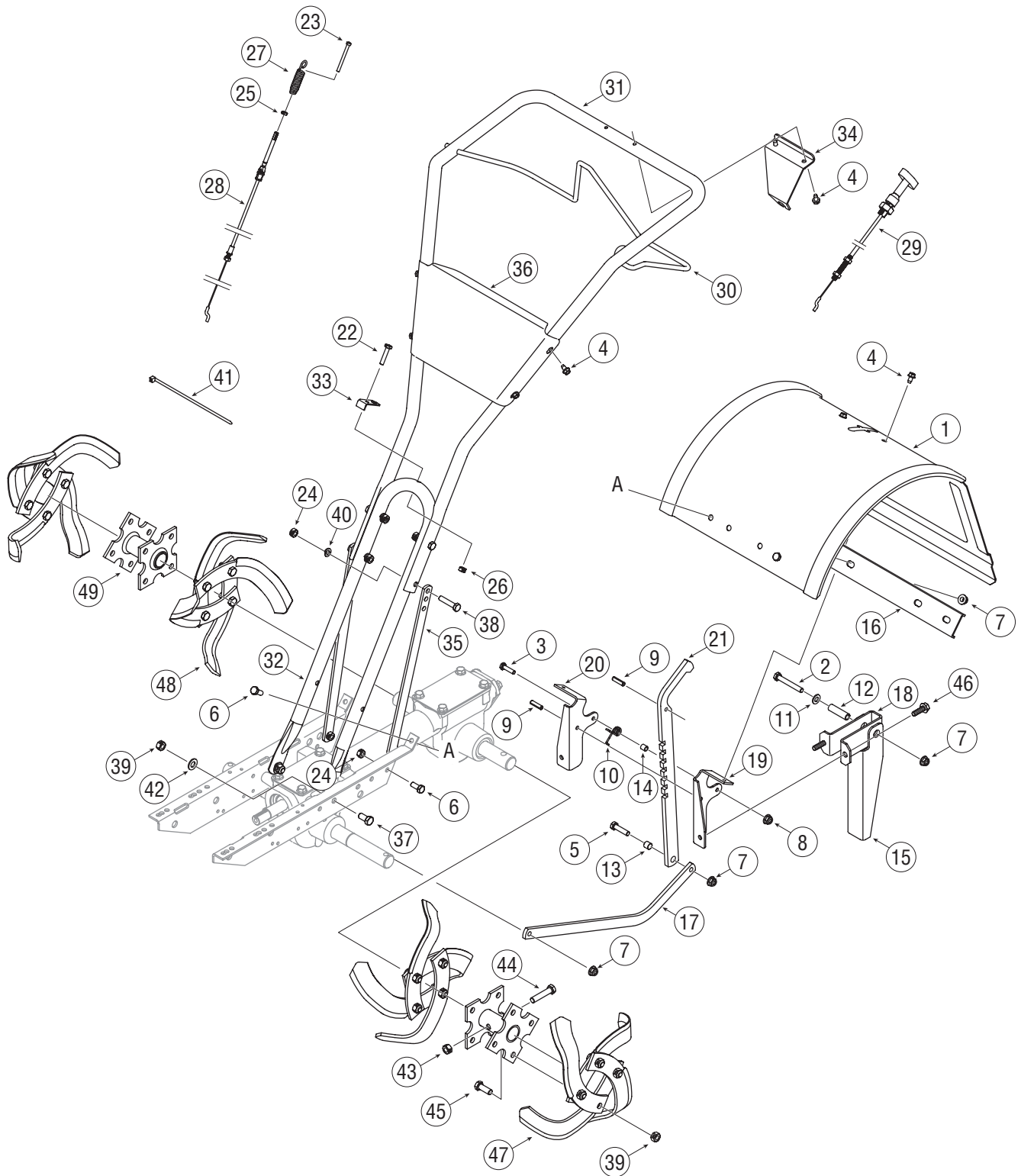
## SOLUCIÓN DE PROBLEMAS

PROBLEMA	CAUSA POSIBLE	CORRECCIÓN
<b>El motor no arranca</b>	<ol style="list-style-type: none"> <li>1. Se ha desconectado el cable de la bujía.</li> <li>2. Ajuste incorrecto de la palanca de control del estrangulador del motor.</li> <li>3. El tanque de combustible está vacío</li> <li>4. Posición incorrecta del control del obturador (en caso de haber).</li> <li>5. Gasolina vieja.</li> <li>6. Filtro de aire sucio.</li> <li>7. Distancia disruptiva defectuosa o incorrecta en la bujía.</li> <li>8. Es necesario ajustar el carburador.</li> <li>9. Ajuste incorrecto del control del estrangulador.</li> <li>10. Agua o suciedad en el tanque del combustible.</li> </ol>	<ol style="list-style-type: none"> <li>1. Reconecte el cable.</li> <li>2. Coloque la palanca en la posición START (arranque).</li> <li>3. Agregue combustible.</li> <li>4. Vea el Manual del Motor del Propietario.</li> <li>5. Drene el combustible y agregue combustible fresco.</li> <li>6. Limpie o cambie el filtro.</li> <li>7. Inspeccione la bujía.</li> <li>8. Consulte al distribuidor de mantenimiento de motores.</li> <li>9. Consulte al distribuidor de mantenimiento de motores.</li> <li>10. Consulte al distribuidor de mantenimiento de motores.</li> </ol>
<b>El motor funciona de forma defectuosa.</b>	<ol style="list-style-type: none"> <li>1. Distancia disruptiva defectuosa o incorrecta en la bujía.</li> <li>2. Filtro(s) de aire sucio(s).</li> <li>3. Es necesario ajustar el carburador.</li> <li>4. Gasolina vieja.</li> <li>5. Agua o suciedad en el tanque del combustible.</li> <li>6. Sistema de enfriamiento del motor tapado.</li> </ol>	<ol style="list-style-type: none"> <li>1. Inspeccione la bujía (vea el Manual del Motor del Propietario).</li> <li>2. Límpielo o cámbielo (vea el Manual del Motor del Propietario).</li> <li>3. Consulte al distribuidor de mantenimiento de motores.</li> <li>4. Cámbiela por gasolina fresca.</li> <li>5. Consulte al distribuidor de mantenimiento de motores.</li> <li>6. Limpie el sistema de enfriamiento de aire (vea el Manual del Motor del Propietario).</li> </ol>
<b>El motor recalienta.</b>	<ol style="list-style-type: none"> <li>1. Sistema de enfriamiento del motor tapado.</li> <li>2. Es necesario ajustar el carburador.</li> <li>3. Nivel de aceite bajo.</li> </ol>	<ol style="list-style-type: none"> <li>1. Limpie el área de enfriamiento de aire (vea el Manual del Motor del Propietario).</li> <li>2. Consulte al distribuidor de mantenimiento de motores.</li> <li>3. Verifique el nivel de aceite (vea el Manual del Motor del Propietario).</li> </ol>
<b>El motor no se apaga.</b>	<ol style="list-style-type: none"> <li>1. Ajuste incorrecto del control del regulador o del interruptor de ignición.</li> </ol>	<ol style="list-style-type: none"> <li>1. Vea el Manual del Motor del Propietario o consulte al distribuidor de mantenimiento de motores.</li> </ol>
<b>Las ruedas y los dientes no giran</b>	<ol style="list-style-type: none"> <li>1. Uso incorrecto de los controles.</li> <li>2. Correa(s) de transmisión desgastada(s), rota(s) o mal ajustada(s).</li> <li>3. Trasmisión interna desgastada o dañada.</li> <li>4. Perno suelto en la polea de transmisión.</li> </ol>	<ol style="list-style-type: none"> <li>1. Revise las secciones 3 y 4.</li> <li>2. Vea "Verificación de la tensión de la correa de transmisión," Sección 5.</li> <li>3. Póngase en contacto con el distribuidor local o la fábrica.</li> <li>4. Ajuste el perno.</li> </ol>
<b>Los dientes giran, las ruedas no.</b>	<ol style="list-style-type: none"> <li>1. Los pasadores de la transmisión en las ruedas no se encuentran en la posición TRANSMISIÓN EN LAS RUEDAS.</li> <li>2. Perno suelto en la polea de transmisión.</li> <li>3. Trasmisión interna desgastada o dañada.</li> </ol>	<ol style="list-style-type: none"> <li>1. Vea "Pasadores de transmisión en las ruedas" en la Sección 3.</li> <li>2. Ajuste el perno.</li> <li>3. Póngase en contacto con el distribuidor local o la fábrica.</li> </ol>
<b>Las ruedas giran, los dientes no.</b>	<ol style="list-style-type: none"> <li>1. Falta elemento de ferretería en el montaje del soporte de dientes.</li> <li>2. Perno suelto en la polea de transmisión.</li> <li>3. Trasmisión interna desgastada o dañada.</li> </ol>	<ol style="list-style-type: none"> <li>1. Vuelva a colocar el elemento de ferretería.</li> <li>2. Ajuste el perno.</li> <li>3. Póngase en contacto con el distribuidor local o la fábrica.</li> </ol>
<b>Rendimiento deficiente de la labranza.</b>	<ol style="list-style-type: none"> <li>1. Dientes desgastados.</li> <li>2. Configuración incorrecta del regulador de profundidad.</li> <li>3. Configuración incorrecta del estrangulador.</li> <li>4. Deslizamiento de la correa de transmisión de marcha directa.</li> </ol>	<ol style="list-style-type: none"> <li>1. Vea "Dientes Bolo" (Sección 5).</li> <li>2. Vea "Sugerencias y técnicas de labranza," Sección 4.</li> <li>3. Vea la Sección 4.</li> <li>4. Vea "Verificación de la tensión de la correa de transmisión de marcha directa," Sección 5.</li> </ol>

---

**NOTAS:**

# Modelos 643C, 643B y 645A





# MODELOS 643C, 643B Y 645A

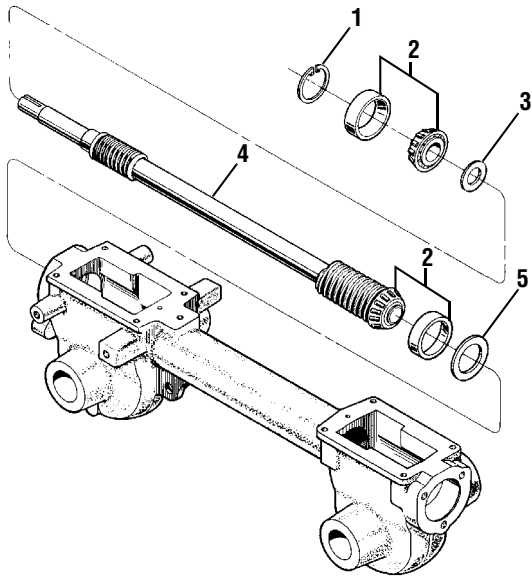
No. DE REF.	No. de PIEZA	DESCRIPCIÓN	No. DE REF.	No. de PIEZA	DESCRIPCIÓN
1	686-04043	Conjunto de cubierta de dientes <b>(A)</b>	27	732-04185	Resorte, embrague de marcha directa
	686-04041	Conjunto de cubierta de dientes <b>(B)(C)</b>	28	746-04208	Conjunto de cable, embrague de marcha directa
2	710-0395	Tornillo hexagonal, 5/16-18 x 2.25	29	746-04058	Conjunto de cable, embrague de marcha atrás <b>(B)(C)</b>
3	710-0597	Tornillo cabeza hexagonal, 1/4-20 x 1	30	747-04210	Gancho de embrague de marcha directa
4	710-0599	Tornillo autoroscante, 1/4-20 x 1/2	31	749-04084	Barra de control superior
5	710-0874	Tornillo Cabeza hexagonal, 5/16-18 x 1-1/4	32	749-04208	Barra de control inferior
6	710-3008	Tornillo cabeza hexagonal, 5/16-18 x 0.75	33	749-04106	Aleta, montaje del conducto
7	712-04063	Tuerca de seguridad hexagonal, Nylon, 5/16-18	34	732-04040	Ménsula, cable de embrague de marcha atrás <b>(B)(C)</b>
8	712-04064	Tuerca de seguridad hexagonal, Nylon, 1/4-20	35	786-04188	Soporte de barra de control
9	715-0108	Pasador espiral	36	786-04200	Panel
10	732-04320	Resorte, regulador de profundidad	37	710-0216	Tornillo hexagonal de 3/8-16 x 3/4
11	736-0275	Arandela plana, 5/16	38	710-0805	Tornillo hexagonal de 5/16-18 x 1-1/2
12	750-04149	Separador, 0.462 x 0.328 x 1.63	39	712-3000	Tuerca de seguridad hexagonal, 3/8-16
13	750-04160	Manguito	40	736-0119	Arandela de seguridad, 5/16
14	750-04556	Separador	41	725-0157	Unión de cable
15	786-04092	Brazo de detención marcha atrás	42	736-3050	Arandela plana, 3/8
16	786-04098	Ménsula de soporte del canal	43	712-04065	Tuerca de seguridad con reborde 3/8-16
17	786-04104	Barra de acoplamiento	44	710-0347	Tornillo Cabeza hexagonal, 3/8-16 x 1-3/4
18	786-04191	Ménsula de detención de aleta	45	710-0514	Tornillo Cabeza hexagonal, 3/8-16 x 1, Grado 5
19	786-04290	Ménsula de cubierta, lado izquierdo	46	710-04048	Tornillo con reborde 0.312-18 x 1.00
20	786-04291	Ménsula de cubierta, lado derecho	47	742-04117	Diente único Bolo – Lado izquierdo
21	786-04292	Barra de profundidad ajustable	48	742-04116	Diente único Bolo – Lado derecho
22	710-0106	Tornillo Cabeza hexagonal, 1/4-20 x 1-1/4	49	686-04066	Soporte de dientes <b>(A)</b>
23	710-04163	Tornillo, #10-24 x 2		686-04065	Soporte de dientes <b>(B) (C)</b>
24	712-3009	Tuerca de seguridad hexagonal, 5/16-18		GW-1901	Juego de reemplazo de diente Bolo <i>(Incl. ocho</i>
25	712-0121	Tuerca hexagonal, #10-24			<i>dientes lado derecho, ocho dientes lado izquierdo y</i>
26	712-0291	Tuerca de seguridad hexagonal, 1/4-20			<i>elementos de ferretería necesarios).</i> <b>(A) (B) (C)</b>

**(A)** Para el modelo 643C

**(B)** Para el modelo 643B

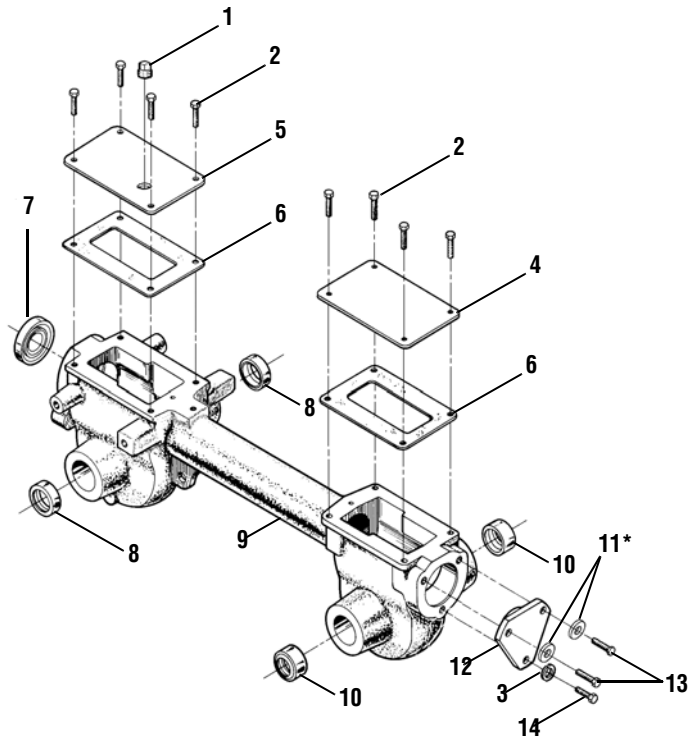
**(C)** Para el modelo 645A

# MODELOS 643C, 643B Y 645A



No. DE REF.	No. de PIEZA	DESCRIPCIÓN
1	GW-9517	Anillo de presión rápida
2	GW-1714	Cojinete, rodillo ahusado (con aro)
3	GW-50043	Arandela de soporte, trasera
4	711-04110	Eje de la transmisión
5	GW-1224-1*	Diafragma, tapa de cojinete trasero, 0.010" de espesor
	GW-1224-2*	Diafragma, igual que el anterior, pero 0.030" de espesor
	GW-1224-3*	Diafragma, igual que el anterior, pero 0.005" de espesor
	GW-1224-4*	Diafragma, igual que el anterior, pero 0.062" de espesor
—	GW-1325C	Juego de diafragmas (Incluye los siguientes diafragmas: dos #1224-1, dos 1224-2 y uno #1224-4)

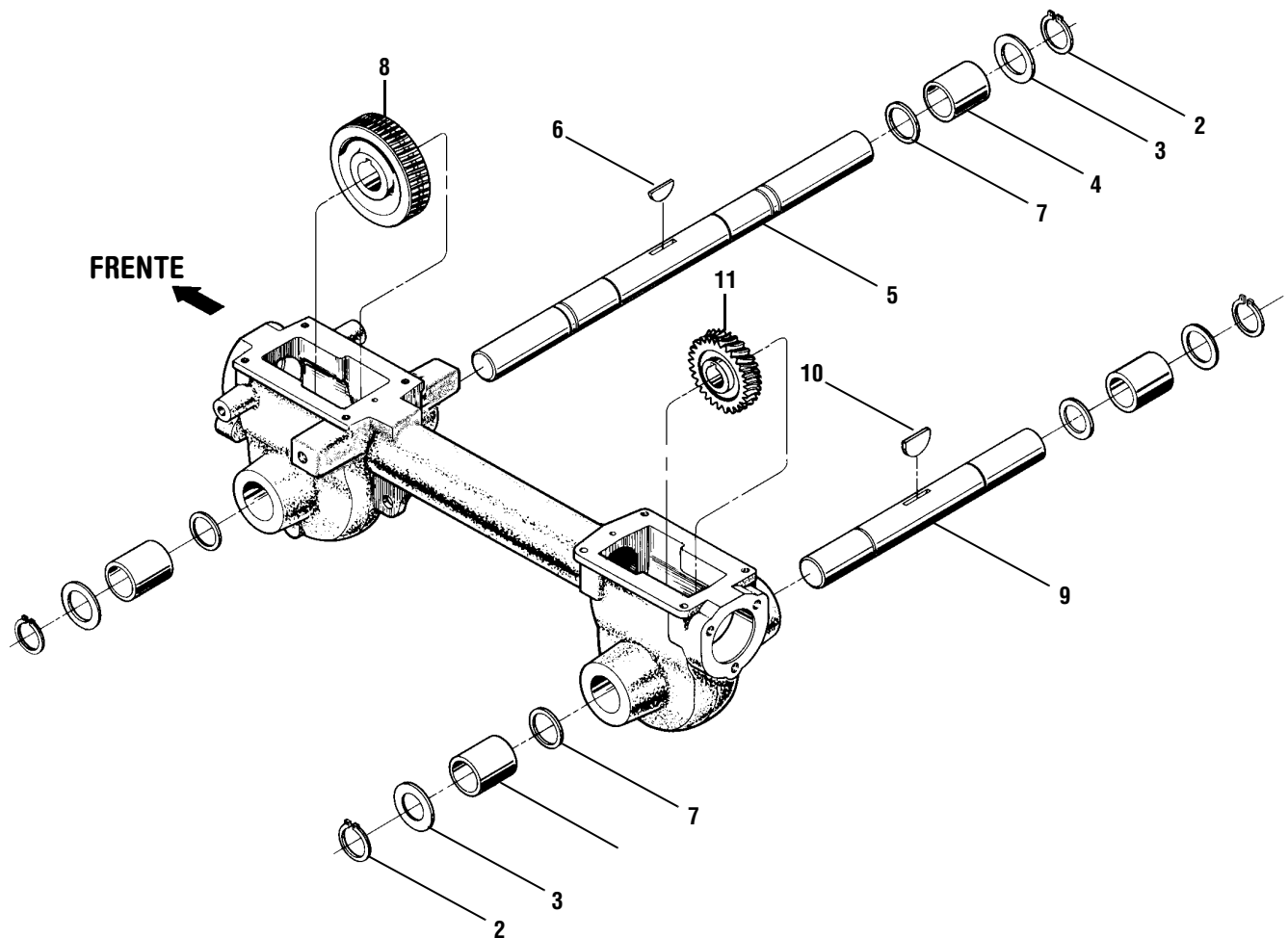
\* Use según sea necesario para obtener juego longitudinal permisible de entre 0.005" y 0.015".



No. DE REF.	No. de PIEZA	DESCRIPCIÓN
1	GW-9727	Tapón de llenado, aceite de transmisión
2	710-04049	Tornillo con reborde, cabeza hexagonal, 5/16-18 x 5/8, Gr. 5
3	736-0119	Arandela de seguridad, 5/16
4	1918377	Cubierta trasera, transmisión
5	1916641	Cubierta delantera, transmisión
6	GW-50032	Junta, cubierta del alojamiento
7	721-04030	Sello de aceite, eje de transmisión
8	721-04031	Sello de aceite, eje de rueda
9	619-04013	Conjunto de alojamiento de la transmisión
10	721-04036	Sello de aceite, eje de dientes
11	736-3008*	Arandela plana, 0.344 x 0.750 x 0.120
12	718-04008	Tapa de cojinete trasero
13	710-04048	Tornillo con reborde, cabeza hexagonal, 5/16-18 x 1
14	710-3008	Tornillo con reborde, cabeza hexagonal, 5/16-18 x 3/4

\*Se incluye con la transmisión cuando se compra únicamente como conjunto. Se retira y desecha al instalar la transmisión en la cultivadora.

# MODELOS 643C, 643B Y 645A

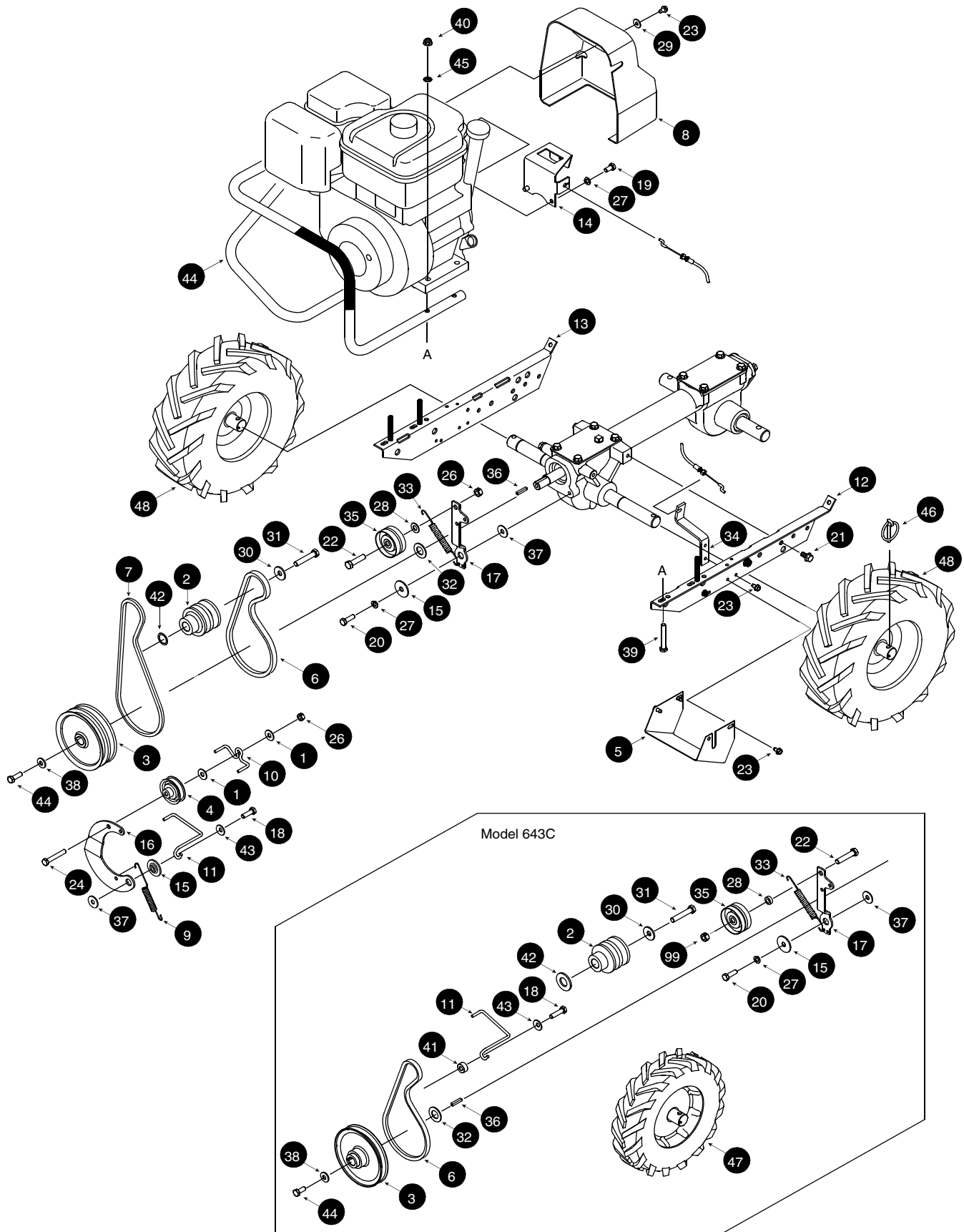


No. DE REF.	No. de PIEZA	DESCRIPCIÓN
2	1909950	Retención, anillo de presión rápida
3	GW-1166-1*	Diafragma, 0.062" de espesor
	GW-1166-2*	Diafragma, 0.030" de espesor
	GW-1166-3*	Diafragma, 0.015" de espesor
	GW-1166-4*	Diafragma, 0.010" de espesor
	GW-1166-5*	Diafragma, 0.005" de espesor
4	GW-1086	Manguito de bronce
5	711-04512	Eje de las ruedas <b>(A)</b>
	711-04486	Eje de ruedas <b>(B) (C)</b>
6	GW-9305	Llave, Hi-Pro, 1/4 x 1
7	GW-1132-2*	Separador
8	1904278	Engranaje helicoidal, eje de rueda
9	711-04078	Eje de la cultivadora
10	GW-1104	Chaveta Woodruff
11	1916542	Engranaje helicoidal, eje de la cultivadora

**(A)** Para el modelo 643C  
**(B)** Para el modelo 643B  
**(C)** Para el modelo 645A

\* Use según sea necesario para obtener juego longitudinal permisible de entre 0.005" y 0.030".

# MODELOS 643C, 643B Y 645A



# MODELOS 643C, 643B Y 645A

No. DE REF.	No. de PIEZA	DESCRIPCIÓN	No. DE REF.	No. de PIEZA	DESCRIPCIÓN
1	736-0159	Arandela plana, 5/16	27	736-0119	Arandela de seguridad, 5/16 (A)
2	756-04198	Polea, transmisión del motor	28	750-0535	Separador, 0.380 DI x 0.625 DE x 0.21 (A)
3	656-04023	Polea de transmisión (A)		736-3050	Arandela plana 0.406 x 0.812 x 0.051 (B) (C)
	656-04005	Polea de transmisión (B) (C)	29	736-3090	Arandela plana
4	756-04169	Polea, polea intermedia de marcha atrás (B) (C)	30	736-0452	Arandela de campana
5	786-04095	Guarda, correas/ poleas	31	710-0459A	Tornillo cabeza hexagonal, 3/8-24 x 1.50, GR 5
6	754-04090	Correa de transmisión de marcha directa	32	736-04181	Arandela de soporte
7	754-04091	Correa de transmisión de marcha atrás (B) (C)	33	732-04085	Resorte de retorno marcha directa
8	731-05268	Cubierta de la correa	34	786-04107	Ménsula de montaje del cable
9	732-04289	Resorte de retorno de marcha atrás (B) (C)	35	756-04170	Polea intermedia marcha directa
10	732-04081	Guía de la correa (B) (C)	36	714-0105	Llave, 3/16 x 1"
11	732-04079	Guía de la correa	37	736-3078	Arandela plana
12	786-04068	Ménsula del motor, lado izquierdo	38	736-04193	Arandela Belleville
13	786-04069	Ménsula del motor, lado derecho	39	710-0805	Tornillo hexagonal, 5/16-18 x 1.50 Gr5 (A) (B)
14	786-04070	Ménsula, cubierta de la correa		710-0395	Tornillo hexagonal, 5/16-18 x 2-1/4, Gr5 (C)
15	748-04087	Arandela con reborde	40	712-04063	Tuerca, de seguridad, hexagonal, 5/16-18
16	786-04276	Brazo intermedio de marcha atrás (B) (C)	41	750-0258	Separador, Reborde (A)
17	786-04275	Palanca intermedia de marcha directa	42	736-0315	Arandela plana, 0.75 x 1.5 x 0.125(A)
18	710-0672	Tornillo cabeza hexagonal, 5/16-24 x 1.25 (A)		736-04192	Arandela plana 0.786 x 1.000 x 0.031 (B) (C)
	710-0117	Tornillo cabeza hexagonal, 5/16-24 x 1 (B) (C)	43	736-0242	Arandela de campana
19	710-0237	Tornillo cabeza hexagonal, 5/16-24 x 5/8	44	749-04193	Parachosques (C)
20	710-0376	Tornillo cabeza hexagonal, 5/16-18 x 1	45	726-0201	Tuerca, velocidad, 5/16-18 (C)
21	710-04049	Tornillo cabeza hexagonal, 5/16-18 x 5 x 5/8	46	714-0143	Pasador Klik
22	710-0347	Tornillo cabeza hexagonal, 3/8-16 x 1-3/4 (A)	47	734-04188	Conjunto de rueda completo 10 x 2.75 (A)
	710-0520	Tornillo cabeza hexagonal, 3/8-16 x 1.50 (B) (C)	48	634-04232	Conjunto de rueda completo 13 x 5 x 6 (B) (C)
23	710-0599	Tornillo autoroscante 1/4-20 x 1/2		634-04218	Conjunto de llanta (B) (C)
24	710-3103	Tornillo cabeza hexagonal, 5/16-18 x 2 (B) (C)		734-0255	Válvula de aire (B) (C)
25	712-3000	Tuerca de seguridad 3/8-16		734-04163	Neumático (B) (C)
26	712-3009	Tuerca de seguridad 5/16-18 (B) (C)			

(A) Para el modelo 643C

(B) Para el modelo 643B

(C) Para el modelo 645A

---

**NOTAS:**

---

**NOTAS:**



# GARANTÍA LIMITADA DE LA VIDA ÚTIL DE LA CULTIVADORA TROY-BILT

**QUÉ PRODUCTO ESTÁ CUBIERTO** Todas las cultivadoras de empuje con transmisión de engranajes, con dientes traseros, de marca Troy-Bilt. Esta garantía comienza en la fecha de compra y está garantizada por Troy-Bilt durante la vida de la cultivadora, únicamente al comprador original

**QUÉ SE CUBRE MEDIANTE ESTA GARANTÍA** Troy-Bilt LLC, a su opción, reparará o cambiará cualquier pieza que se encuentre con defectos de materiales o fabricación sin cargo en concepto de piezas y mano de obra

Esta garantía limitada durante la vida útil también se aplica a acoplamientos y accesorios no motorizados. Los acoplamientos y accesorios motorizados son garantizados de forma separada por los fabricantes respectivos. Consultelos términos y condiciones de la garantía del fabricante aplicable a estos elementos.

**LO QUE NO ES CUBIERTO POR ESTA GARANTÍA** Esta garantía no se aplica a las piezas que han sido dañadas por accidente, alteración, uso incorrecto, uso excesivo, negligencia, mantenimiento inadecuado, vandalismo, robo, incendio, agua o daños a causa de riesgos u otros desastres naturales. Los siguientes elementos no son cubiertos después del primer año de esta garantía limitada de uso residencial:

correas, baterías, manguitos, sellos, dientes, neumáticos, ruedas, pintura, elementos relacionados con el aspecto o similares que normalmente se cambian a través del mantenimiento periódico.

Esta garantía no cubre los gastos relacionados con servicios de retiro, entrega o llamadas telefónicas de mantenimiento.

Si el servicio es realizado por persona distinta al distribuidor autorizado no está cubierto por esta garantía.

Las piezas que no son piezas de servicio genuinas de Troy-Bilt LLC no están cubiertas por esta garantía.

El motor está garantizado de forma separada por el fabricante de motores. Consulte la garantía del motor del fabricante para informarse sobre los términos y condiciones.

**LIMITADA COMERCIAL GARANTÍA DE USO** Si se usa con fines comerciales, institucionales, industriales, de alquiler o con la finalidad de realizar demostraciones la garantía sobre la cultivadora se limita a un término de 90 días desde la fecha de compra.

Esta garantía no se aplica a las piezas que se han dañado por accidente, alteración, uso incorrecto, uso excesivo, negligencia, mantenimiento inadecuado, vandalismo, robo, incendio, agua o daños causados por riesgos u otros desastres naturales.

**CÓMO OBTENERLA MANTENIMIENTO.** La garantía de servicio se puede obtener, **con prueba de compra**, a través del distribuidor de DE mantenimiento local autorizado. Distribuidor Para localizar un distribuidor en su área, consulte las Páginas Amarillas o póngase en contacto con Troy-Bilt LLC al Apartado postal (P.O. Box) 361131, Cleveland, Ohio 44136-0019, 1-866-840-6483, o ingresando a nuestro sitio Web en [www.troybilt.com](http://www.troybilt.com).

**Las disposiciones incluidas en esta garantía proveen el recurso único y exclusivo que surge de las ventas. Troy-Bilt LLC no será responsable por ningún daño incidental o directo ni por gastos de ningún tipo, incluido, sin limitación, el costo de alquiler de equipamiento, el lucro cesante o los costos del servicio de alquiler para la realización de las tareas normalmente desempeñadas por el equipo.**

Todas las garantías implícitas, incluida cualquier garantía implícita de comerciabilidad o adecuación a un fin particular, se limitarán en su duración al período de propiedad del comprador original (y a un máximo de 90 días a partir de la fecha de la venta si la cultivadora se compra para uso comercial u otro uso no residencial).

Algunos estados no permiten la exclusión o limitación de los daños y perjuicios incidentales o directos, o las limitaciones sobre la duración de las garantías implícitas, por lo que las exclusiones o limitaciones mencionadas anteriormente pueden no serle de aplicación.

Esta garantía limitada le otorga derechos legales específicos y usted también puede contar con otros derechos que varían de un estado a otro.

**Para atención al cliente, póngase en contacto con el distribuidor autorizado más cercano, o con nosotros dirigiéndose a:**

**TROY-BILT LLC, Apartado Postal P.O. Box 361131, Cleveland,  
Ohio 44136-0019, 1-866-840-6483**

## Free Manuals Download Website

<http://myh66.com>

<http://usermanuals.us>

<http://www.somanuals.com>

<http://www.4manuals.cc>

<http://www.manual-lib.com>

<http://www.404manual.com>

<http://www.luxmanual.com>

<http://aubethermostatmanual.com>

Golf course search by state

<http://golfingnear.com>

Email search by domain

<http://emailbydomain.com>

Auto manuals search

<http://auto.somanuals.com>

TV manuals search

<http://tv.somanuals.com>