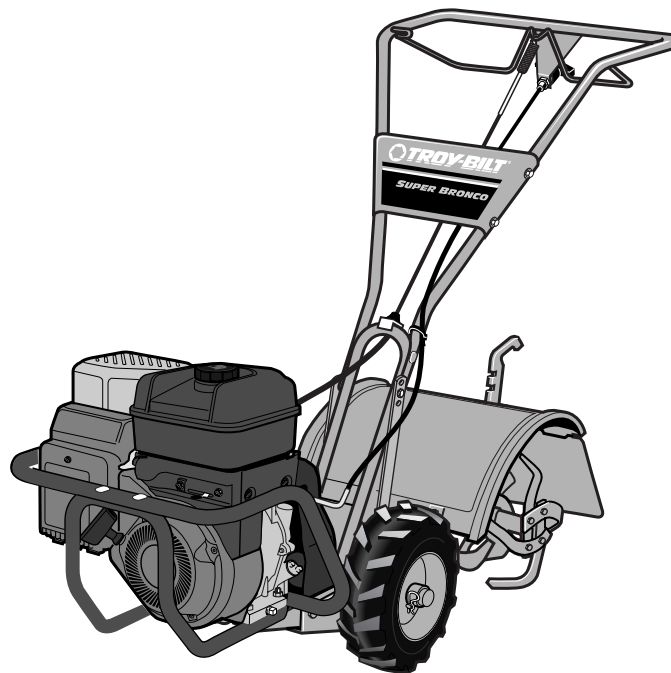




OPERATOR'S MANUAL



Rear Tine Tiller — Super Bronco

⚠ WARNING

**READ AND FOLLOW ALL SAFETY RULES AND INSTRUCTIONS IN THIS MANUAL
BEFORE ATTEMPTING TO OPERATE THIS MACHINE.
FAILURE TO COMPLY WITH THESE INSTRUCTIONS MAY RESULT IN PERSONAL INJURY.**

TROY-BILT LLC, P.O. BOX 361131 CLEVELAND, OHIO 44136-0019

Thank You

Thank you for purchasing a Garden Tiller manufactured by Troy-Bilt LLC. It was carefully engineered to provide excellent performance when properly operated and maintained.

Please read this entire manual prior to operating the equipment. It instructs you how to safely and easily set up, operate and maintain your machine. Please be sure that you, and any other persons who will operate the machine, carefully follow the recommended safety practices at all times. Failure to do so could result in personal injury or property damage.

All information in this manual is relative to the most recent product information available at the time of printing. Review this manual frequently to familiarize yourself with the machine, its features and operation. Please be aware that this Operator's Manual may cover a range of product specifications for various models. Characteristics and features discussed and/or illustrated in this manual may not be applicable to all models. Troy-Bilt LLC reserves the right to change product specifications, designs and equipment without notice and without incurring obligation.

This product has met the rigid safety standards of the Outdoor Power Equipment Institute and an independent testing laboratory. If you have any problems or questions concerning the machine, phone a authorized Troy-Bilt service dealer or contact us directly. Troy-Bilt's Customer Support telephone numbers, website address and mailing address can be found on this page. We want to ensure your complete satisfaction at all times.

Throughout this manual, all references to *right* and *left* side of the machine are observed from the operating position

The engine manufacturer is responsible for all engine-related issues with regards to performance, power-rating, specifications, warranty and service. Please refer to the engine manufacturer's Owner's/Operator's Manual, packed separately with your machine, for more information.

Table of Contents

Safe Operation Practices	3	Maintenance & Adjustments.....	16
Assembly & Set-Up	6	Service	20
Controls & Features.....	10	Troubleshooting	21
Operation.....	11	Replacement Parts.....	22

Record Product Information

Before setting up and operating your new equipment, please locate the model plate on the equipment and record the information in the provided area to the right. You can locate the model plate by standing at the operator's position and looking down at the rear of the tiller. This information will be necessary, should you seek technical support via our web site, Customer Support Department, or with a local authorized service dealer.

MODEL NUMBER

--	--	--	--	--	--	--	--	--	--	--	--

SERIAL NUMBER

--	--	--	--	--	--	--	--	--	--	--	--

Customer Support

Please do NOT return the machine to the retailer or dealer without first contacting our Customer Support Department.

If you have difficulty assembling this product or have any questions regarding the controls, operation, or maintenance of this machine, you can seek help from the experts. Choose from the options below:

- ◇ Visit us on the web at www.troybilt.com
- ◇ Call a Customer Support Representative at (800) 828-5500 or (330) 558-7220
- ◇ Write us at Troy-Bilt LLC • P.O. Box 361131 • Cleveland, OH • 44136-0019



WARNING! This symbol points out important safety instructions which, if not followed, could endanger the personal safety and/or property of yourself and others. Read and follow all instructions in this manual before attempting to operate this machine. Failure to comply with these instructions may result in personal injury.

When you see this symbol. **HEED ITS WARNING!**

CALIFORNIA PROPOSITION 65



WARNING! Engine Exhaust, some of its constituents, and certain vehicle components contain or emit chemicals known to State of California to cause cancer and birth defects or other reproductive harm.



WARNING! Battery posts, terminals, and related accessories contain lead and lead compounds, chemicals known to the State of California to cause cancer and reproductive harm. *Wash hands after handling*



DANGER! This machine was built to be operated according to the safe operation practices in this manual. As with any type of power equipment, carelessness or error on the part of the operator can result in serious injury. This machine is capable of amputating fingers, hands, toes and feet. Failure to observe the following safety instructions could result in serious injury or death.

Training

1. Read, understand, and follow all instructions on the machine and in the manual(s) before attempting to assemble and operate. Keep this manual in a safe place for future and regular reference and for ordering replacement parts.
2. Be familiar with all controls and their proper operation. Know how to stop the machine and disengage them quickly.
3. Never allow children under 14 years of age to operate this machine. Children 14 and over should read and understand the instructions and safe operation practices in this manual and on the machine and be trained and supervised by an adult.
4. Never allow adults to operate this machine without proper instruction.
5. Keep the area of operation clear of all persons, particularly small children and pets. Stop machine if anyone enters the area.
2. Wear sturdy, rough-soled work shoes and close fitting slacks and shirt. Loose fitting clothes or jewelry can be caught in moving parts. Never operate this machine in bare feet or sandals.
3. Disengage clutch levers and shift (if provided) into neutral ("N") before starting the engine.
4. Never leave this machine unattended with the engine running.
5. Never attempt to make any adjustments while engine is running, except where specifically recommended in the operator's manual.

Safe Handling of Gasoline:

To avoid personal injury or property damage use extreme care in handling gasoline. Gasoline is extremely flammable and the vapors are explosive. Serious personal injury can occur when gasoline is spilled on yourself or your clothes which can ignite. Wash your skin and change clothes immediately.

- a. Use only an approved gasoline container.
- b. Never fill containers inside a vehicle or on a truck or trailer bed with a plastic liner. Always place containers on the ground away from your vehicle before filling.

Preparation

1. Thoroughly inspect the area where the equipment is to be used. Remove all stones, sticks, wire, and other foreign objects which could be tripped over and cause personal injury.

- c. When practical, remove gas-powered equipment from the truck or trailer and refuel it on the ground. If this is not possible, then refuel such equipment on a trailer with a portable container, rather than from a gasoline dispenser nozzle.
 - d. Keep the nozzle in contact with the rim of the fuel tank or container opening at all times until fueling is complete. Do not use a nozzle lock-open device.
 - e. Extinguish all cigarettes, cigars, pipes and other sources of ignition.
 - f. Never fuel machine indoors.
 - g. Never remove gas cap or add fuel while the engine is hot or running. Allow engine to cool at least two minutes before refueling.
 - h. Never over fill fuel tank. Fill tank to no more than ½ inch below bottom of filler neck to allow space for fuel expansion.
 - i. Replace gasoline cap and tighten securely.
 - j. If gasoline is spilled, wipe it off the engine and equipment. Move unit to another area. Wait 5 minutes before starting the engine.
 - k. To reduce fire hazards, keep machine free of grass, leaves, or other debris build-up. Clean up oil or fuel spillage and remove any fuel soaked debris.
 - l. Never store the machine or fuel container inside where there is an open flame, spark or pilot light as on a water heater, space heater, furnace, clothes dryer or other gas appliances.
11. After striking a foreign object, stop the engine, disconnect the spark plug wire and ground against the engine. Thoroughly inspect the machine for any damage. Repair the damage before starting and operating.
 12. Disengage all clutch levers (if fitted) and stop engine before you leave the operating position (behind the handles). Wait until the tines come to a complete stop before unclogging the tines, making any adjustments, or inspections.
 13. Never run an engine indoors or in a poorly ventilated area. Engine exhaust contains carbon monoxide, an odorless and deadly gas.
 14. Muffler and engine become hot and can cause a burn. Do not touch.
 15. Use caution when tilling near fences, buildings and underground utilities. Rotating tines can cause property damage or personal injury.
 16. Do not overload machine capacity by attempting to till soil too deep at too fast of a rate.
 17. If the machine should start making an unusual noise or vibration, stop the engine, disconnect the spark plug wire and ground it against the engine. Inspect thoroughly for damage. Repair any damage before starting and operating.
 18. Keep all shields, guards, and safety devices in place and operating properly.
 19. Never pick up or carry machine while the engine is running.
 20. Use only attachments and accessories approved by the manufacturer. Failure to do so can result in personal injury.
 21. If situations occur which are not covered in this manual, use care and good judgement. Contact Customer Support for assistance and the name of you nearest servicing dealer..

Operation

1. Do not put hands or feet near rotating parts. Contact with the rotating parts can amputate hands and feet.
2. Do not operate machine while under the influence of alcohol or drugs.
3. Never operate this machine without good visibility or light. Always be sure of your footing and keep a firm hold on the handles.
4. Keep bystanders away from the machine while it is in operation. Stop the machine if anyone enters the area.
5. Be careful when tilling in hard ground. The tines may catch in the ground and propel the tiller forward. If this occurs, let go of the handle bars and do not restrain the machine.
6. Exercise extreme caution when operating on or crossing gravel surfaces. Stay alert for hidden hazards or traffic. Do not carry passengers.
7. Never operate the machine at high transport speeds on hard or slippery surfaces.
8. Exercise caution to avoid slipping or falling.
9. Look down and behind and use care when in reverse or pulling machine towards you.
10. Start the engine according to the instructions found in this manual and keep feet well away from the tines at all times.

Maintenance & Storage

1. Keep machine, attachments and accessories in safe working order.
2. Allow a machine to cool at least five minutes before storing. Never tamper with safety devices. Check their proper operation regularly.
3. Check bolts and screws for proper tightness at frequent intervals to keep the machine in safe working condition. Also, visually inspect machine for any damage.
4. Before cleaning, repairing, or inspecting, stop the engine and make certain the tines and all moving parts have stopped. Disconnect the spark plug wire and ground it against the engine to prevent unintended starting.
5. Do not change the engine governor settings or over-speed the engine. The governor controls the maximum safe operating speed of engine.
6. Maintain or replace safety and instruction labels, as necessary.
7. Follow this manual for safe loading, unloading, transporting, and storage of this machine.
8. Always refer to the operator's manual for important details if the machine is to be stored for an extended period.

9. If the fuel tank has to be drained, do this outdoors.
10. Observe proper disposal laws and regulations for gas, oil, etc. to protect the environment.

Notice Regarding Emissions

Engines which are certified to comply with California and federal EPA emission regulations for SORE (Small Off Road Equipment) are certified to operate on regular unleaded gasoline, and may include the following emission control systems: Engine Modification (EM) and Three Way Catalyst (TWC) if so equipped.

Spark Arrestor



WARNING! This machine is equipped with an internal combustion engine and should not be used on or near any unimproved forest-covered, brushcovered or grass-covered land unless the engine's exhaust system is equipped with a spark arrester meeting applicable local or state laws (if any).

If a spark arrester is used, it should be maintained in effective working order by the operator. In the State of California the above is required by law (Section 4442 of the California Public Resources Code). Other states may have similar laws. Federal laws apply on federal lands.

A spark arrester for the muffler is available through your nearest engine authorized service dealer or contact the service department, P.O. Box 361131 Cleveland, Ohio 44136-0019.

Average Useful Life

According to the Consumer Products Safety Commission (CPSC) and the U.S. Environmental Protection Agency (EPA), this product has an *Average Useful Life* of seven (7) years, or 130 hours of operation. At the end of the *Average Useful Life*, buy a new machine or have the machine inspected annually by an authorized service dealer to ensure that all mechanical and safety systems are working properly and not worn excessively. Failure to do so can result in accidents, injuries or death.



WARNING! Your Responsibility—Restrict the use of this power machine to persons who read, understand and follow the warnings and instructions in this manual and on the machine.

SAVE THESE INSTRUCTIONS!

Contents of Carton

- One Tiller
- One Hardware Pack
- One Handlebar Support
- One Operator's Manual
- One Handlebar Assembly
- One Engine Operator's Manual



WARNING! To prevent personal injury or property damage, do not start the engine until all assembly steps are complete and you have read and understand the safety and operating instructions in this manual.

Recommended Tools for Assembly

- 1/2" open-end wrench
- 9/16" open-end wrench
- 3/8" open-end wrench
- Scissors (to trim plastic ties)
- Ruler (for belt tension check)
- Block of wood (to support tiller when removing wheels)
- Tire pressure gauge (for models with pneumatic tires)
- Clean oil funnel
- Motor oil. Refer to the Engine Operator's Manual for oil specifications and quantity required.

Contents of Hardware pack

- Hex Screw, 5/16-18 x 1-1/2"
- Hex Screw, 3/8-16 x 3/4"
- Flat Washer, 3/8"
- Split Lock Washer, 5/16"
- Hex Nut, 5/16"-18
- Hex Locknut, 3/8"-16

Assembly

Unpacking Instructions

NOTE: While unpacking, do not severely bend any of the control cables.

1. The tiller weighs approximately 133 lbs. Do not attempt to remove it from the shipping platform until instructed to do so in these assembly steps.
2. Remove any packaging material from the carton. Remove any staples from the bottom of the carton and remove the carton from the shipping platform.
3. Remove all unassembled parts and the separate hardware pack from the carton. Check that you have the items listed in the Contents of Carton list (contact your local dealer or the factory if items are missing or damaged).

4.

Handle

NOTE: All references to the right or left side of the tiller are from the operators position.

1. Loosely attach the legs of the handlebar support to the inner sides of the tiller frame using two 3/8"-16 x 3/4" hex head screws, 3/8" flat washers, and 3/8"-16 hex locknuts. See Fig. 3-1.

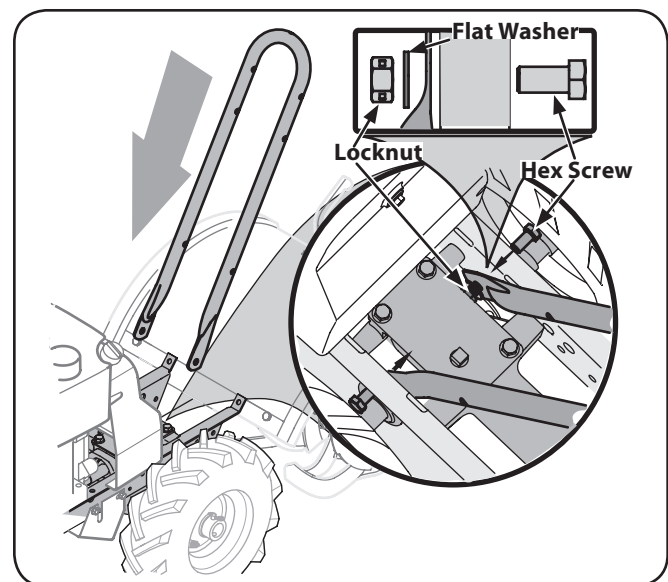


Figure 3-1

- Using two $\frac{5}{16}$ "-18 x 1- $\frac{1}{2}$ " screws, $\frac{5}{16}$ " split lock washers and $\frac{5}{16}$ "-18 hex nuts, loosely attach the handlebar support using the upper holes. Tighten the two screws securely. See Fig. 3-2.

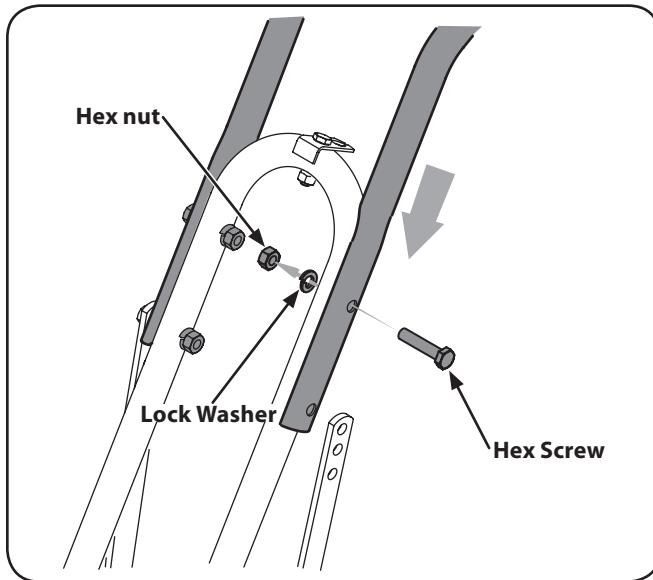


Figure 3-2

- There are three height adjustment holes in the two handlebar support brackets. Use a setting that will position the handlebars at approximately waist level when the tines are 3-4" into the soil. Loosely attach the support brackets to the outside of the handlebar assembly using two $\frac{5}{16}$ "-18 x 1- $\frac{1}{2}$ " screws, $\frac{5}{16}$ " split lock washers and $\frac{5}{16}$ "-18 hex nuts. Refer to Fig. 3-2.

NOTE: If a support bracket will not move, loosen attaching screw and nut.

NOTE: The support brackets must be assembled to the outside of the handlebar assembly.

- Tighten all the handlebar mounting hardware securely.

Move Tiller Off Crate

To roll the tiller off the shipping platform, put the wheels in freewheel, as follows:

- Place a sturdy block under the transmission to raise one wheel about 1" off the ground.

- Remove the click pin from the wheel hub and wheel shaft. See Fig. 3-3.

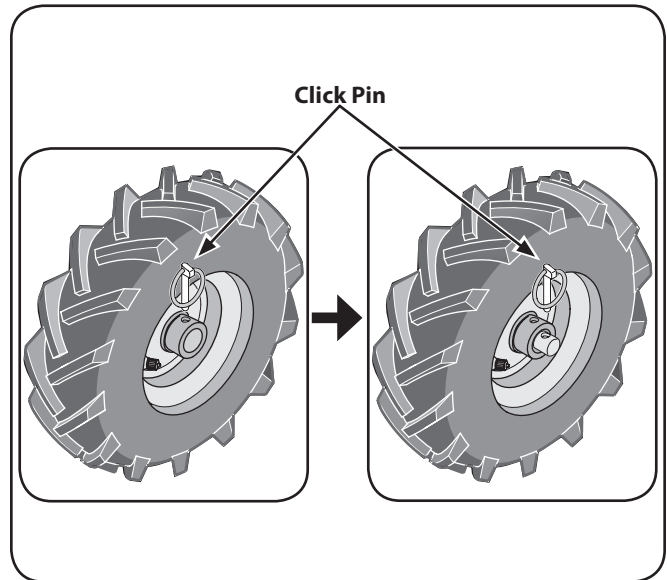


Figure 3-3

- Slide the wheel fully inward on the wheel shaft. Reinstall the click pin through the wheel shaft only (not through the wheel hub). See Fig. 3-3. The wheel should now spin freely (freewheel) on the wheel shaft. Repeat with the other wheel.
- Use the handlebar to roll the tiller to a flat area.

NOTE: Before starting the engine, the wheels must be placed in the WHEEL DRIVE position (pins through wheel hubs and wheel shaft).

Forward Clutch Cable

1. Carefully unwrap the forward clutch cable from its shipping position and slide the thin cable wire into the slot in the cable bracket. Push the cable connector up through the hole in the bracket until the groove in the connector snaps into place. See Fig. 3-4.

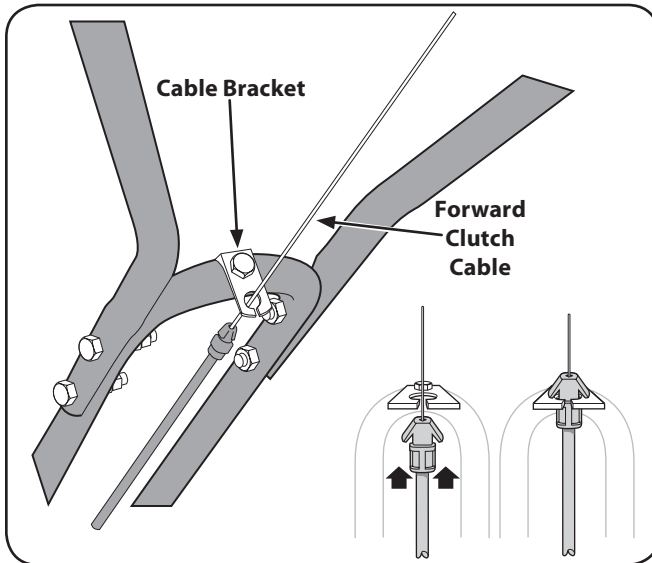


Figure 3-4

2. Thread the #10-24 hex nut halfway onto the screw which runs through the spring. See Inset Fig. 3-6.

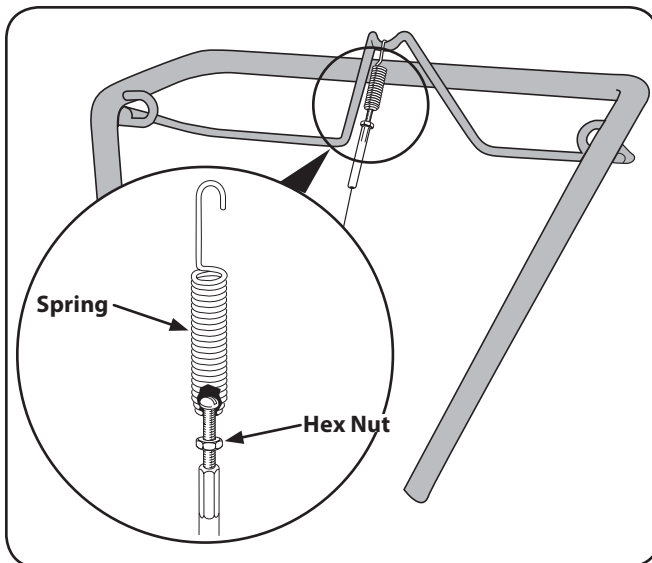


Figure 3-5

3. Thread the screw into the cable adjuster.

4. Check for the correct tension on the forward drive belt by taking two measurements of the cable spring, as follows:
 - a. With the Forward Clutch Bail in an open (released) position, measure the length of the cable spring from the outermost coil to the outermost coil. See Fig. 3-6.

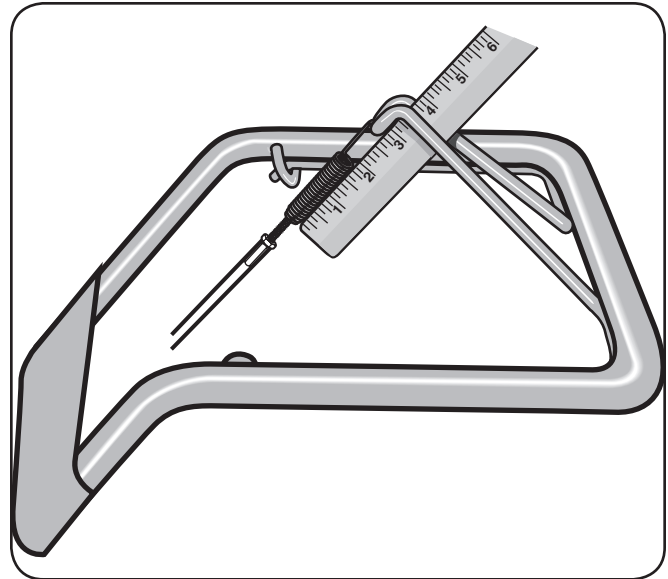


Figure 3-6

- b. Squeeze the Forward Clutch Bail against the handlebar (see Fig. 3-6) and re-measure the spring length. The belt tension is correct if this second measurement is between $\frac{1}{16}$ " to $\frac{3}{16}$ " longer than the first measurement. If so, turn the hex nut tightly against the cable adjuster while preventing the cable adjuster from turning.
- c. If the spring length is incorrect, you must adjust the cable tension as described in the Maintenance & Adjustments Section under Forward Drive Belt. Incorrect cable tension can result in belt slippage (cable tension too loose), or unintentional tine movement when the clutch bail is in Neutral (cable tension too tight).

Reverse Clutch Cable

1. Unwrap the reverse clutch cable from its shipping position and route it up to the handlebar. See Fig. 3-7. Be sure that the cable is routed beneath the Forward Clutch Bail.

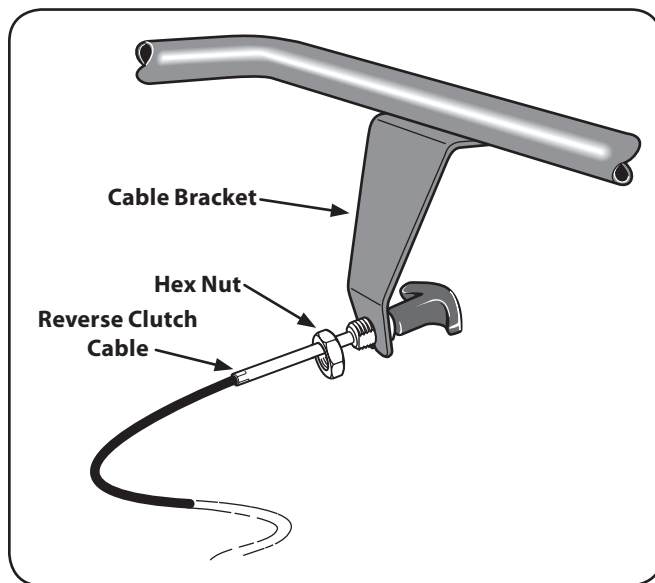


Figure 3-7

2. Insert the cable through the slot in the cable bracket and position the flat side of the threaded assembly next to the flat side of the hole. Slide the hex nut up the cable and tighten it securely.
3. Fasten the reverse clutch cable to the left side handlebar with a cable tie.
4. Test the function of the reverse clutch by pulling out and releasing the cable knob. The knob should return to its neutral position (resting against bracket). If it doesn't, contact your local dealer or Troy-Bilt LLC for technical assistance.

Set-Up

Tire Pressure

Check the air pressure with a tire gauge. Deflate or inflate the tires equally to between 15 and 20 PSI.

NOTE: Be sure that both tires are inflated equally or the tiller will pull to one side.

Gas & Oil Fill Up



WARNING! Use extreme care when handling gasoline. Gasoline is extremely flammable and the vapors are explosive. Never fuel the machine indoors or while the engine is hot or running. Extinguish cigarettes, cigars, pipes and any other sources of ignition.

Service the engine with gasoline and oil as instructed in the Engine Operator's Manual packed separately with your tiller. Read the instructions carefully.

Transmission Gear Oil

The transmission was filled with gear oil at the factory. However, you should check the gear oil level at this time to make certain it is correct.

NOTE: Do not operate the tiller if the gear oil level is low. Doing so will result in severe damage to the transmission components.

1. With the tiller on level ground, pull the Depth Regulator Lever back and then all the way up until the lowest notch in the lever is engaged. See Fig. 3-8.

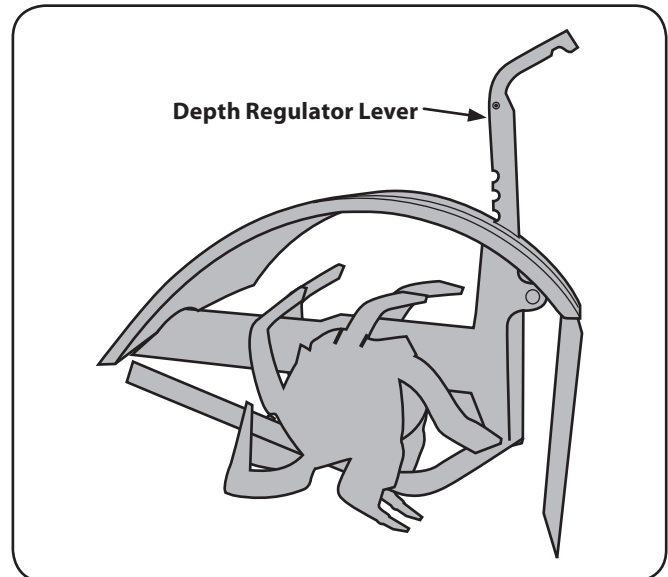


Figure 3-8

2. Remove the oil fill plug from the transmission housing cover and locate the main drive shaft situated inside the housing. See Fig. 3-9.

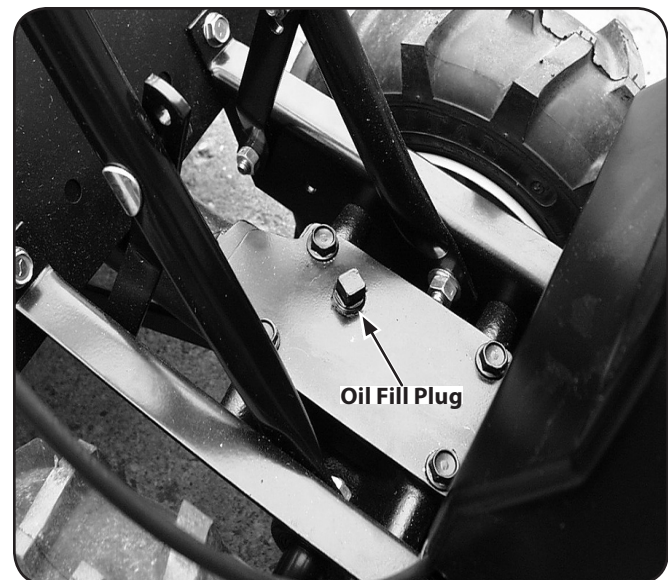


Figure 3-9

3. The gear oil level is correct if the gear oil is approximately halfway up the side of the main drive shaft.
4. If the oil level is low, add gear oil by referring to the Maintenance & Adjustments Section.

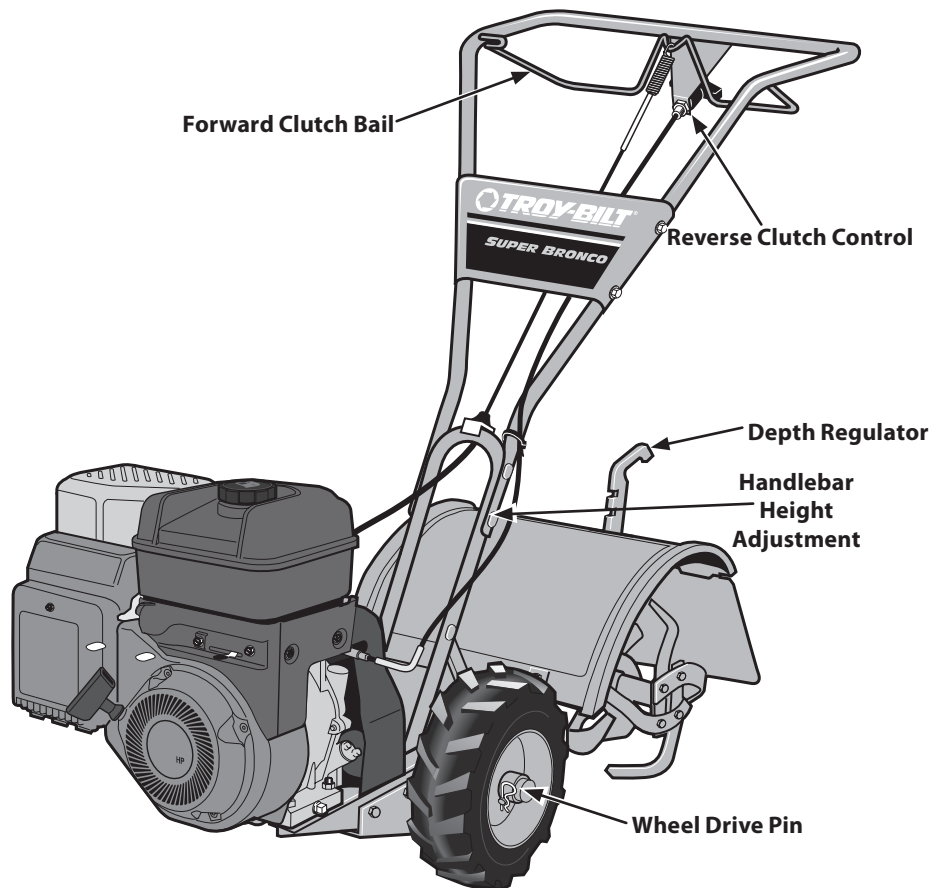


Figure 4-1

NOTE: This Operator's Manual covers various models of tillers and the machine illustrated may vary slightly from your tiller.

Engine Controls

For detailed information on all engine controls refer to the separate Engine Operator's Manual.

Wheel Drive Pins

Each wheel is equipped with a wheel drive click pin that secures the wheel to the wheel shaft. The wheels can be positioned in either a WHEEL DRIVE or a FREEWHEEL mode.

Forward Clutch Bail

The forward clutch bail controls the engagement of the forward drive of the wheels and tines.

Reverse Clutch Control

The Reverse Clutch Control controls the engagement of reverse drive to the wheels and tines.

Depth Regulator Lever

This lever controls the tilling depth of the tines. Pull the lever back and slide it up or down to engage the notched height settings.

Handlebar Height Adjustment

The handlebar height is adjustable to three different settings. In general, adjust the handlebars so they are at waist level when the tines are 3-4" in the ground.

Gas Cap

Unthread the gas cap to add gasoline to the fuel tank.

Oil Fill

Engine oil level can be checked and oil added through the oil fill.

Starting the Engine

Pre-Start Checklist

With the spark plug wire disconnected from the spark plug, perform the following checks and services before each use:

1. Read the Safe Operation Practices and Features & Controls Sections in this manual. Read the separate Engine Operator's Manual provided with the tiller.
2. Put the wheels in the WHEEL DRIVE position (wheel pins must be through holes in wheel hubs and wheel shaft).



WARNING! Never allow either of the wheels to be in the FREEWHEEL position when the engine is running. Always put both wheels in the WHEEL DRIVE position before starting the engine. Failure to comply could cause loss of tiller control, property damage, or personal injury.

3. Check the tiller for loose or missing hardware. Service as required.
4. Check engine oil level. See Engine Operator's Manual.
5. Check that all safety guards and covers are in place.
6. Check air cleaner and engine cooling system. See Engine Operator's Manual.
7. Fill the fuel tank with gasoline according to the directions in the separate Engine Operator's Manual. Follow all instructions and safety rules carefully.
8. Attach the spark plug wire to the spark plug.

Starting the Engine



WARNING! To help prevent serious personal injury or damage to equipment, put both wheels in the WHEEL DRIVE position. Never have wheels in FREEWHEEL position when the engine is running. When the wheels are in FREEWHEEL, they do not hold back the tiller and the tines could propel the tiller rapidly forward or backward. Put the Forward Clutch Bail in neutral (disengaged) positions by releasing levers.



WARNING! Never run the engine indoors or in enclosed, poorly ventilated areas. Engine exhaust contains carbon monoxide, an odorless and deadly gas. Avoid the engine muffler and nearby areas. Temperatures in these areas may exceed 150° F.

1. Complete the Pre-Start Checklist on this page.
2. Put the wheels in the WHEEL DRIVE position.
3. Move the Depth Regulator Lever all the way down to the "travel" position, so that the tines clear the ground.
4. Release all the controls on the tiller.
5. On engine's with a fuel shut-off valve, turn the valve to the open position, as instructed in the separate Engine Operator's Manual.

6. Put the ignition switch and/or throttle the control lever located on the engine in the "ON", "RUN", "FAST" or "START" position, as instructed in the Engine Operator's Manual.
7. Choke or prime engine, as instructed in Engine Operator's Manual.
8. Put one hand on the fuel tank to stabilize the tiller when pulling the starter rope handle. Then use recoil starter to start the engine, as instructed in the Engine Operator's Manual. When the engine starts, gradually move choke lever (if so equipped) to "NO CHOKE", "CHOKE OFF" or "RUN" position.
9. Use the "FAST" throttle speed setting when tilling.

Stopping the Engine

1. To stop the wheels and tines, release the Forward Clutch Bail.
2. To stop the engine, put the ignition switch and/or the throttle control lever in the "OFF" or "STOP" position.

To Engage Drive & Tines

1. For forward motion of the wheels and power to the tines pull the Forward Clutch Bail up against the handlebar. Release the bail to stop the forward motion of the wheels and tines.
2. When tilling, relax and let the wheels pull the machine while the tines dig. Walk behind and a little to one side of the tiller. Use one hand, yet keep a light — but secure — grip on the handlebar (while keeping your arm loose). See Fig. 5-1. Let the tiller move at its own pace and do not push down on the handlebars to try and force the tines to dig deeper — this takes weight off the wheels and reduces traction.



Figure 5-1



WARNING! Do not push down on the handlebars to try to make the tiller till more deeply. This prevents the wheels from holding the tiller back and can allow the tines to rapidly propel the tiller forward, which could result in loss of control, property damage, or personal injury.

1. To move in reverse:
 - a. Look behind and exercise caution when operating in reverse. Do not till while in reverse.
 - b. Stop all forward motion. Lift the handlebar with one hand until the tines are off the ground and then pull the Reverse Clutch Control knob out. To stop reversing, let go of the Reverse Clutch Control knob
 - c. If longer distances need to be covered in reverse, shut off the engine, then place the two wheels in FREEWHEEL.

Turning the Tiller

1. Practice turning the tiller in a level, open area. Be very careful to keep your feet and legs away from the tines.
2. To begin a turn, lift the handlebars until the tines are out of the ground and the engine and tines are balanced over the wheels (Fig. 5-2).



Figure 5-2

3. With the tiller balanced, push sideways on the handlebar to steer in the direction of the turn. After turning, slowly lower the tines into the soil to resume tilling. See Fig. 5-3.



Figure 5-3

Clearing the Tines

- The tines have a self-clearing action which eliminates most tangling of debris in the tines. However, occasionally dry grass, stringy stalks or tough vines may become tangled. Follow these procedures to help avoid tangling and to clean the tines, if necessary.
- To reduce tangling, set the depth regulator deep enough to get maximum “chopping” action as the tines chop the material against the ground. Also, try to till under crop residues or cover crops while they are green, moist and tender.
- While tilling, try swaying the handlebars from side to side (about 6” to 12”). This “fishtailing” action often clears the tines of debris.
- If tangling occurs, lift the tines out of the soil and run the tiller in reverse for a few feet. This reversing action should unwind a good deal of debris.



WARNING! Before clearing the tines by hand, stop the engine, allow all moving parts to stop and disconnect the spark plug wire. Remove the ignition key on electric start models. Failure to follow this warning could result in personal injury.

Tilling Tips & Techniques

Tilling Depth



WARNING! Before tilling, contact your telephone or utilities company and inquire if underground equipment or lines are used on your property. Do not till near buried electric cables, telephone lines, pipes or hoses.

- This is a CRT (counter-rotating tine) tiller. As the wheels pull forward, the tines rotate backward. This creates an “uppercut” tine action which digs deeply, uprooting soil and weeds. Don’t overload the engine, but dig as deeply as possible on each pass. On later passes, the wheels may tend to spin in the soft dirt. Help them along by lifting up slightly on the handlebar (one hand, palm up, works most easily).
- Avoid the temptation to push down on the handlebars in an attempt to force the tiller to dig deeper. Doing so takes the weight off the powered wheels, causing them to lose traction. Without the wheels to hold the tiller back, the tines will attempt to propel the tiller backward, towards the operator.

- When cultivating (breaking up surface soil around plants to destroy weeds, see Fig. 4-9), adjust the tines to dig only 1” to 2” deep. Using shallow tilling depths helps prevent injury to the plants whose roots often grow close to the surface. If needed, lift up on the handlebars slightly to prevent the tines from digging too deeply. (Cultivating on a regular basis not only eliminates weeds, it also loosens and aerates the soil for better moisture absorption and faster plant growth.) Watering the garden area a few days prior to tilling will make tilling easier, as will letting the newly worked soil set for a day or two before making a final, deep tilling pass.

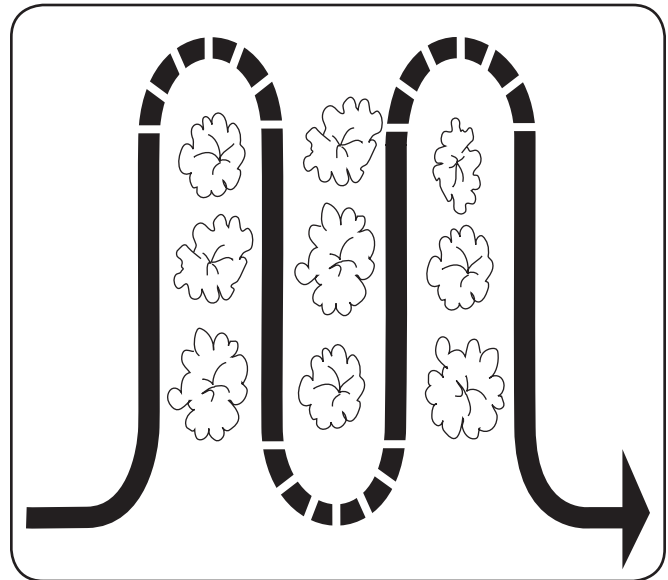


Figure 5-4

Choosing Correct Wheel & Tine Speeds

With experience, you will find the tilling depth and tilling speed combination that is best for your garden. Set the engine throttle lever at a speed to give the engine adequate power and yet allow it to operate at the slowest possible speed until you have achieved the maximum tilling depth you desire. Faster engine speeds may be desirable when making final passes through the seedbed or when cultivating. Selection of the correct engine speed, in relation to the tilling depth, will ensure a sufficient power level to do the job without causing the engine to labor.

Suggested Tilling Patterns

- When preparing a seedbed, go over the same path twice in the first row, then overlap one-half the tiller width on the rest of the passes. See Fig. 5-5.

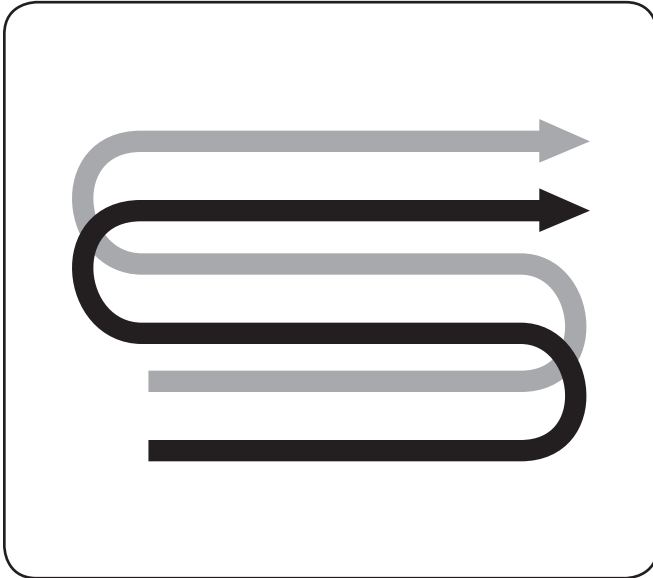


Figure 5-5

- When finished in one direction, make a second pass at a right angle, as shown in Fig. 5-6. Overlap each pass for best results (in very hard ground, it may take three or four passes to thoroughly pulverize the soil.)

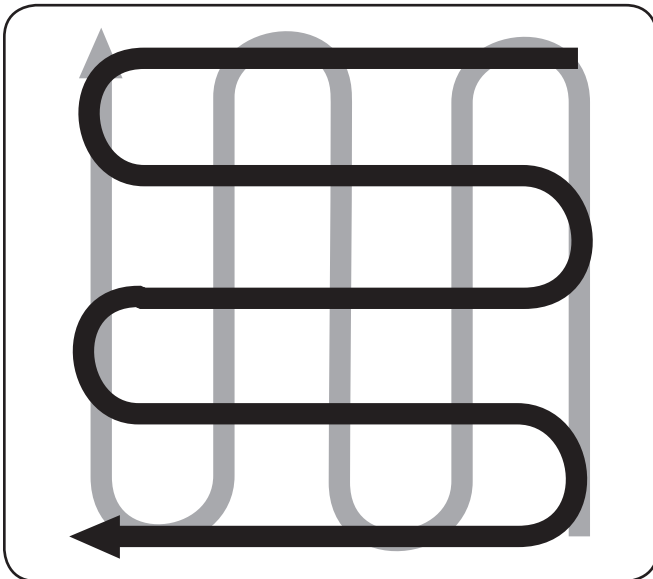


Figure 5-6

- If the garden size will not permit lengthwise and then crosswise tilling, overlap the first passes by one-half a tiller width, followed by successive passes at one-quarter width. See Fig. 5-7.

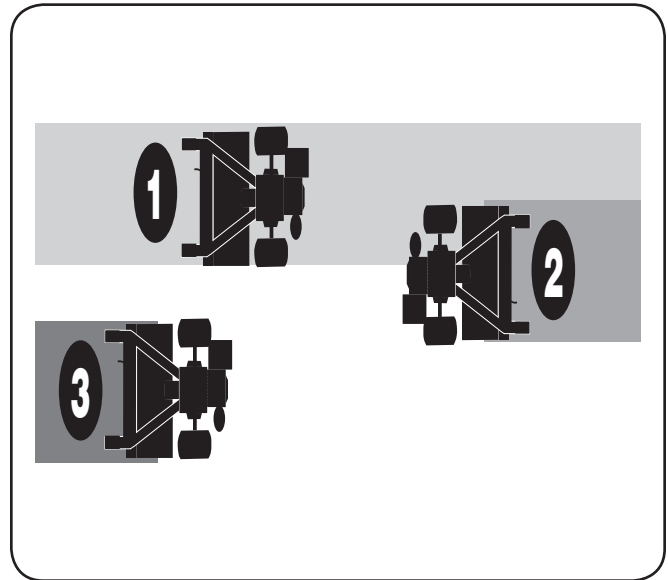


Figure 5-7

Tilling on a Slope



WARNING! Do not operate the tiller on a slope too steep for safe operation. Till slowly and be sure you have good footing. Never permit the tiller to freewheel down slopes. Failure to follow this warning could result in personal injury.

- Till only on moderate slopes, never on steep ground where the footing is difficult.
- We recommend tilling up and down slopes rather than terracing. Tilling vertically on a slope allows maximum planting area and also leaves room for cultivating.

NOTE: When tilling on slopes, be sure the correct oil level is maintained in the engine (check every one-half hour of operation). The incline of the slope will cause the oil to slant away from its normal level and this can starve engine parts of the required lubrication. Keep the motor oil level at the full point at all times.

Tilling Up and Down a Slope

- To keep soil erosion to a minimum, be sure to add enough organic matter to the soil so that it has good moisture-holding texture and try to avoid leaving footprints or wheel marks.
- When tilling vertically, try to make the first pass uphill as the tiller digs more deeply going uphill than it does downhill. In soft soil or weeds, you may have to lift the handlebars slightly while going uphill. When going downhill, overlap the first pass by about one-half the width of the tiller.

Terrace Gardening

1. To create a terrace, start at the top of the slope and work down. Go back and forth across the first row as shown in Fig. 5-8.

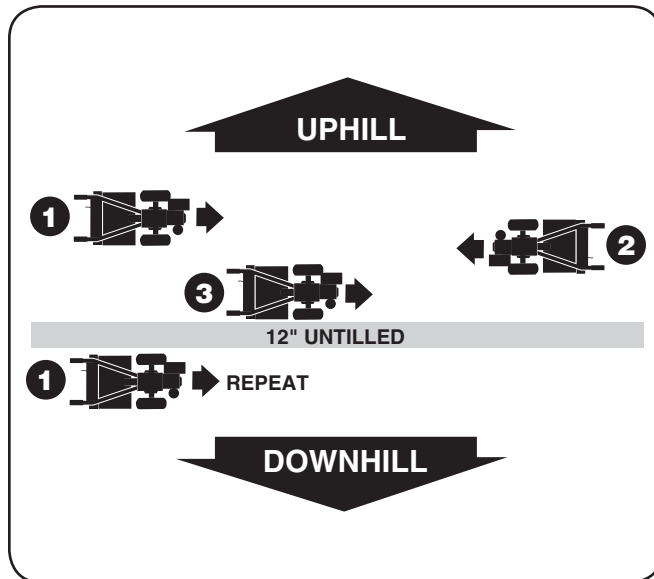


Figure 5-8

2. Each succeeding lower terrace is started by walking below the terrace you're preparing. For added stability of the tiller, always keep the uphill wheel in the soft, newly tilled soil. Do not till the last 12" or more of the downhill outside edge of each terrace. This untilled strip helps prevent the terraces from breaking apart and washing downhill. It also provides a walking path between rows.

Loading & Unloading the Tiller



WARNING! Loading and unloading the tiller into a vehicle is potentially hazardous and it is not recommended unless absolutely necessary, as this could result in personal injury or property damage.

However, if you must load or unload the tiller, follow the guidelines given next.

- Before loading or unloading, stop the engine, wait for all parts to stop moving, disconnect the spark plug wire and let the engine and muffler cool.
- The tiller is too heavy and bulky to be lifted safely by one person. Two or more people should share the load.
- Use sturdy ramps and manually — with the engine shut off — roll the tiller into and out of the vehicle. Two or more people are needed to do this.
- The ramps must be strong enough to support the combined weight of the tiller and any handlers. The ramps should provide good traction to prevent slipping; they should have side rails to guide the tiller along the ramps; and they should have a locking device to secure them to the vehicle.
- The handlers should wear sturdy footwear that will help prevent slipping.

- Position the loading vehicle so that the ramp angle is as flat as possible (the less incline to the ramp, the better). Turn the vehicle's engine off and apply its parking brake.
- When going up ramps, stand in the normal operating position and push the tiller ahead of you. Have a person at each side to turn the wheels.
- When going down ramps, walk backward with the tiller following you. Keep alert for any obstacles behind you. Position a person at each wheel to control the speed of the tiller. Never go down ramps tiller-first, as the tiller could tip forward.
- Place wooden blocks on the downhill side of the wheels if you need to stop the tiller from rolling down the ramp. Also, use the blocks to temporarily keep the tiller in place on the ramps (if necessary), and to chock the wheels in place after the tiller is in the vehicle.
- After loading the tiller, prevent it from rolling by engaging the wheels in the WHEEL DRIVE position. Chock the wheels with blocks and securely tie the tiller down.

Maintenance Schedule

	Check After first 2 hours	Change after first 2 hours	Before each use	Every 5 Hours	Every 10 Hours	Every 30 Hours	See Engine Manual
Check Motor Oil Level			✓	✓			
Clean Engine			✓				✓
Check Drive Belt Tension	✓				✓		
Check Nuts and Bolts	✓				✓		
Change Motor Oil		✓			✓		
Lubricate Tiller					✓		
Service Engine Air Cleaner System							✓
Check Gear Oil Level in Transmission						✓	
Check Tines for Wear						✓	
Check Air Pressure in Tires						✓	
Service Spark Plug							✓



WARNING! Before inspecting, cleaning or servicing the machine, shut off the engine, wait for all moving parts to come to a complete stop, disconnect the spark plug wire and move the wire away from the spark plug. Remove the ignition key on electric start models. Failure to follow these instructions can result in serious personal injury or property damage.

Maintenance

Engine

Refer to the Engine Operator's Manual packed with your tiller for all engine maintenance.

Tire Pressure

Check the air pressure in both tires. The air pressure should be between 15-20 PSI.

Keep both tires equally inflated to help prevent machine from pulling to one side.

Hardware

Check for loose or missing hardware after every 10 operating hours and tighten or replace (as needed) before using tiller

Be sure to check the screws underneath the tiller hood that secure the transmission cover and the Depth Regulator Lever to the transmission.

Air Filter

The air cleaner filters dirt and dust out of the air before it enters the carburetor. Operating the engine with a dirty, clogged air filter can cause poor performance and damage to the engine. Never operate the engine without the air cleaner installed. Inspect and service the air cleaner more often if operating in very dusty or dirty conditions. Refer to the Engine Operator's Manual for air cleaner service intervals and instructions.

Transmission Gear Oil

Check the transmission gear oil after every 30 hours of operation or whenever you notice any oil leak. Operating the tiller when the transmission is low on oil can result in severe damage.

To Check the Transmission Gear Oil Level:

1. Check the gear oil level when the transmission is cool. Gear oil will expand in warm operating temperatures and this expansion will provide an incorrect oil level reading.
2. With the tiller on level ground, pull the Depth Regulator Lever all the way up.
3. Remove the oil fill plug from the transmission housing and look inside the oil fill hole to locate the main drive shaft situated below the hole. Refer to Fig. 6-1.

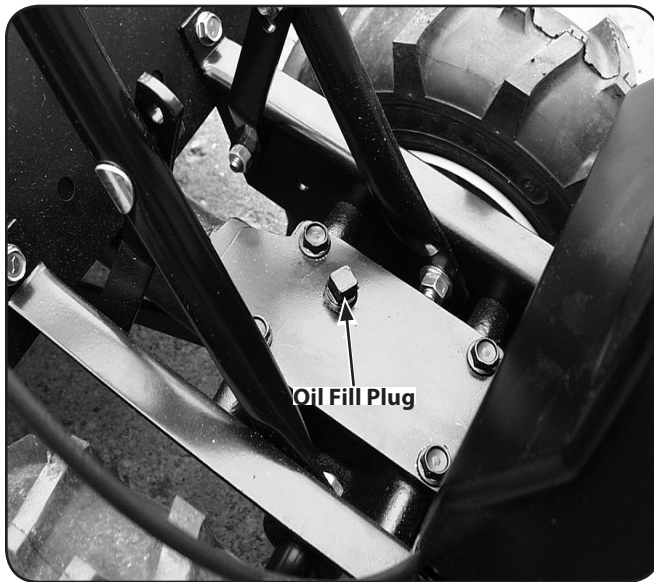


Figure 6-1

4. The gear oil level is correct if the gear oil is approximately halfway up the side of the main drive shaft.
5. If the gear oil level is low, add gear oil as described below. If the gear oil level is okay, securely replace the oil fill plug.
6. If adding only a few ounces of gear oil, use API rated GL-4 or GL-5 gear oil having a viscosity of SAE 140, SAE 85W-140 or SAE 80W-90. If refilling an empty transmission, use only GL-4 gear oil having a viscosity of SAE 85W-140 or SAE 140.
7. While checking frequently to avoid overfilling, slowly add gear oil into the oil fill hole until it reaches the halfway point on the drive shaft.
8. Securely replace the oil fill plug.

Lubrication

After every 10 operating hours, oil or grease the lubrication points shown in Fig. 6-2 and described below.

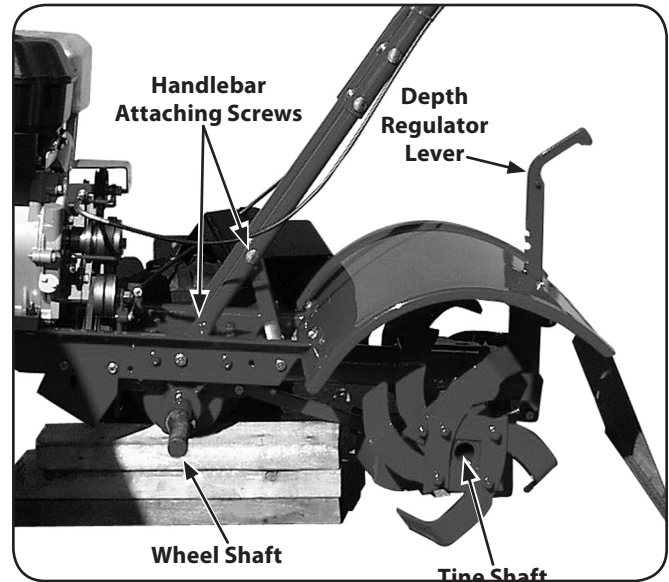


Figure 6-2

Use a clean lubricating oil (#30 weight motor oil is suitable) and a clean general purpose grease (grease containing a metal lubricant is preferred, if available).

- Remove the wheels, clean the wheel shaft and apply a thin coating of grease to the wheel shaft.
- Grease the back, front and sides of the depth regulator lever.
- Remove the tines and clean the tine shaft. Use a file or sandpaper to gently remove any rust, burrs or rough spots (especially around holes in shaft). Apply grease to the ends of shaft before installing the tines.
- Oil the threads on the handlebar height adjustment screws and the handlebar attaching screws.

Adjustments

Forward Drive Belt

It is important to maintain the correct tension on the forward drive belt. A loose belt will cause the tines and wheels to slow down — or stop completely — even though the engine is running at full speed. A belt that is too tight can result in unintentional tine movement when the clutch bail is in the Neutral (released) position.

- Check the belt tension after the first two hours of break-in operation and after every 10 operating hours.
- At the end of each tilling season, check the belt for cracks, cuts or frayed edges and replace it as soon as possible.

Check Forward Belt Tension (refer to Fig. 6-3):

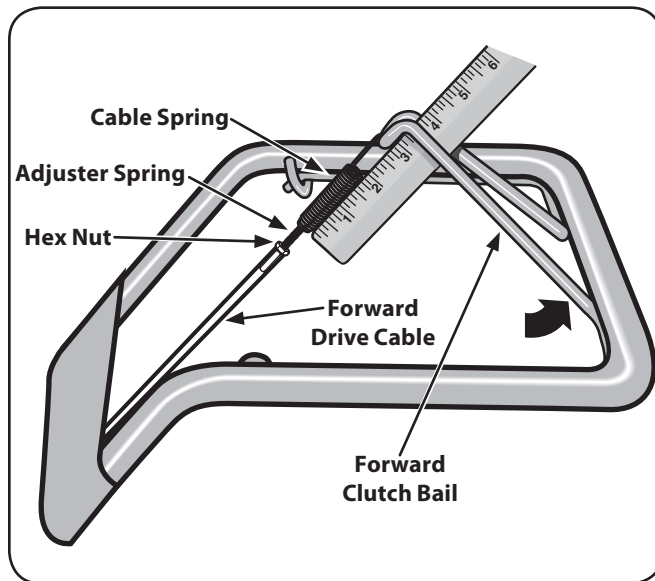


Figure 6-3

1. Stop engine, wait for all parts to stop moving and disconnect spark plug wire.
2. With the Forward Clutch Bail in an open (released) position, measure and note the overall length of the cable spring by measuring from the outermost coil to the outermost coil.
3. Squeeze the Forward Clutch Bail against the handlebar and re-measure the length of the coils. The belt tension is correct if this second measurement is between $\frac{1}{16}$ " -to- $\frac{3}{16}$ " longer than the first measurement.
4. If the spring is too short (less than $\frac{1}{16}$ "), the tension is too loose. If the spring is too long (more than $\frac{3}{16}$ "), the tension is too tight.
5. To adjust the length of the spring:
 - a. Release the Forward Clutch Bail.
 - b. Unthread the hex nut halfway up the adjustment screw.
 - c. Unhook the top of the spring from the Forward Clutch Bail.

- d. Use pliers to prevent the adjuster from turning and turn the slotted screw located inside the spring clockwise (viewed from operator's position) to increase tension on the spring. Turn the screw counterclockwise to decrease tension. Once adjusted, reattach the spring to the Forward Clutch Bail.
- e. Repeat Steps 2 and 3 to re-measure the length of the spring. When the second measurement is between $\frac{1}{16}$ " -to- $\frac{3}{16}$ " longer than the first measurement, retighten the hex nut against the top of the adjuster.

Reverse Drive Belt

Check the belt tension after the first two hours of break-in operation and after every 10 operating hours.

To Check Reverse Belt Tension (Refer to Fig. 6-4):

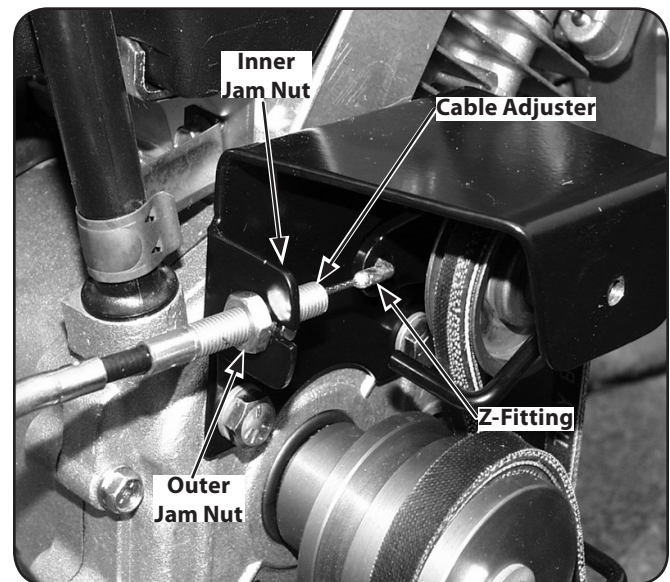


Figure 6-4

1. Stop the engine, wait for all parts to stop moving and disconnect the spark plug wire.
2. Remove the screw in the plastic belt cover and slide the belt cover — which is attached to forward clutch cable — out of the way.
3. Have an assistant pull the Reverse Clutch Control knob all the way out and hold it in that position. Measure the length of the cable wire between the end of the threaded cable adjuster and the end of the Z-fitting to which the cable wire is attached.
4. The belt tension is ideal if the cable wire length measures between $\frac{1}{8}$ " to $\frac{1}{4}$ ". If it is less than $\frac{1}{8}$ " (and if there is no reverse action when the tiller is running), then make the following adjustments
NOTE: If the length is more than $\frac{1}{4}$ ", no adjustment is needed — as long as the reverse action functions properly.
5. Release the Reverse Clutch Control knob and then unthread the inner jam nut one to two turns. Pull the threaded cable adjuster to the left until the inner jam nut touches the bracket.

6. Prevent the inner jam nut from turning and tighten the outer jam nut against the bracket. Prevent the outer jam nut from turning and tighten the inner jam nut against the bracket.
7. Measure the gap by repeating Step 3. Readjust as needed by repeating Steps 5 and 6.
8. Reinstall the belt cover.

Off-Season Storage

When the tiller won't be used for an extended period, prepare it for storage as follows:

1. Clean the tiller and engine.
2. Do routine tiller lubrication and check for loose parts and hardware.
3. Protect the engine and perform recommended engine maintenance by following the storage instructions found in the Engine Operator's Manual. Be sure to protect the fuel lines, carburetor and fuel tank from gum deposits by removing fuel or by treating fuel with a fuel stabilizer (follow the engine manufacturer's recommendations).
4. Store the tiller in a clean, dry area.
5. Never store the tiller with fuel in the fuel tank in an enclosed area where gas fumes could reach an open flame or spark, or where ignition sources are present (space heaters, hot water heaters, furnaces, etc.).

Belt Replacement

If the drive belt needs to be replaced, see your local authorized dealer or refer to the Replacement Parts Section for ordering information. Use only a factory-authorized belt as an "over-the-counter" belt may not perform satisfactorily. The procedure requires average mechanical ability and commonly available tools.

Tines

The bolo tines will wear with use and should be inspected at the beginning of each tilling season and after every 30 operating hours. The tines can be replaced either individually or as a complete set. See the Replacement Parts Section for tine identification and part numbers.

Tine Inspection

With use, the tines will become shorter, narrower and pointed. Badly worn tines will result in a loss of tilling depth, and reduced effectiveness when chopping up and turning under organic matter.

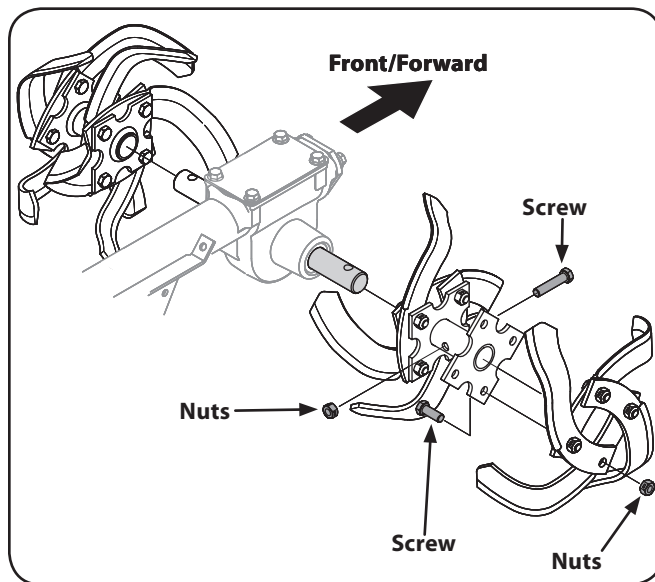


Figure 7-1

Refer to Fig. 7-1 for the following steps procedures.

Removing/Installing a Single Tine

1. With the engine shut off and the spark plug wire disconnected, remove the two screws and nuts that attach a single tine to a tine holder. If needed, use penetrating oil on the nuts.
2. When installing a single tine, be sure to position it so that its cutting edge (sharp) will enter the soil first as the tiller moves forward.

Removing/Installing a Tine Assembly:

1. A tine assembly consists of eight tines mounted on a tine holder.
2. If removing both tine assemblies, mark them "left" and "right" before removal. Remove the screw and locknut that secure the tine assembly to the tine shaft. If necessary, use a rubber mallet to tap the tine assembly outward off the shaft.
3. Before reinstalling the tine assembly, inspect the tine shaft for rust, rough spots or burrs. Lightly file or sand, as needed. Apply a thin coat of grease to the shaft.
4. Install each tine assembly so that the cutting (sharp) edge of the tines will enter the soil first when the tiller moves forward. Secure the tine assembly to the tine shaft using the screw and locknut.

Change Transmission Gear Oil

NOTE: The transmission gear oil does not need to be changed unless it has been contaminated with dirt, sand or metal particles.

1. Drain the gasoline from the fuel tank or run the engine until the fuel tank is empty. Drain the oil from the engine.
2. Remove four screws and remove the transmission cover and gasket. See Fig. 7-2.

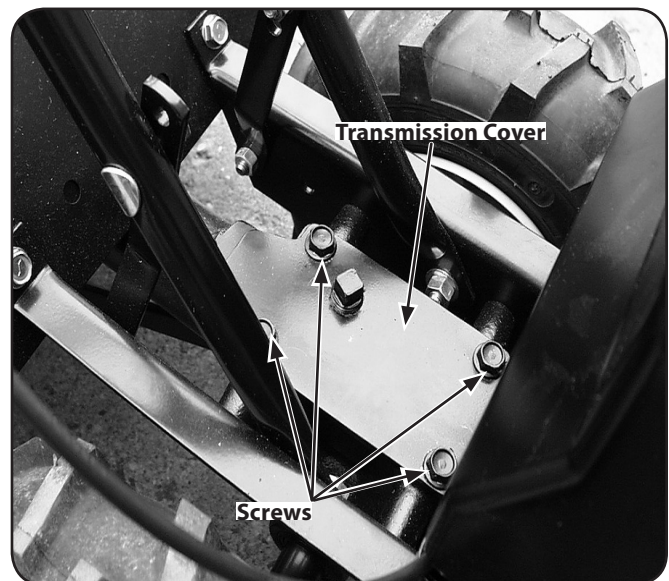
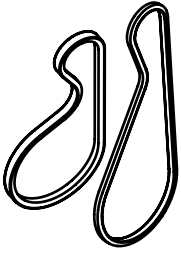
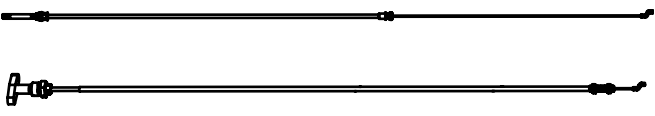
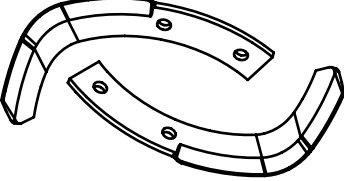
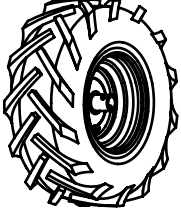
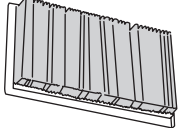
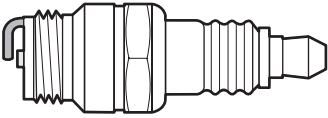


Figure 7-2

3. Remove the left-side wheel. Tilt the left-side wheel shaft into a drain pan and allow the gear oil to drain through the top of the transmission.
4. Reinstall the wheel. Install a new gasket (do not reuse the old gasket) and reinstall the transmission cover.
5. Refill the transmission using GL-4 gear oil (SAE 85W-140 or SAE 140). Refill the engine with motor oil and replenish the fuel tank with gasoline.

Problem	Cause	Remedy
Engine does not start	<ol style="list-style-type: none"> 1. Spark plug wire disconnected. 2. Engine Throttle Control Lever incorrectly set. 3. Fuel tank empty. 4. Stale gasoline. 5. Dirty air filter. 6. Defective or incorrectly gapped spark plug. 7. Carburetor out of adjustment. 8. Misadjusted throttle control. 9. Dirt or water in fuel tank. 	<ol style="list-style-type: none"> 1. Reconnect wire. 2. Put lever in START position. 3. Add fuel. 4. Drain fuel and add fresh fuel. 5. Clean or replace filter (see Engine Manual). 6. Inspect spark plug (see Engine Manual). 7. See Engine Service Dealer. 8. See Engine Service Dealer 9. See Engine Service Dealer.
Engine runs poorly	<ol style="list-style-type: none"> 1. Defective or incorrectly gapped spark plug. 2. Dirty air filter(s). 3. Carburetor out of adjustment. 4. Stale gasoline. 5. Dirt or water in fuel tank. 6. Engine cooling system clogged. 	<ol style="list-style-type: none"> 1. Inspect spark plug (see Engine Manual). 2. Clean or replace (see Engine Manual). 3. See Engine Service Dealer. 4. Replace with fresh gasoline. 5. See Engine Service Dealer. 6. Clean air cooling system (see Engine Manual).
Engine overheats	<ol style="list-style-type: none"> 1. Engine cooling system clogged. 2. Carburetor out of adjustment. 3. Oil level is low. 	<ol style="list-style-type: none"> 1. Clean air cooling area (see Engine Manual). 2. See Engine Service Dealer. 3. Check oil level (see Engine Manual).
Engine does not shut off	<ol style="list-style-type: none"> 1. Misadjusted throttle control or ignition switch. 	<ol style="list-style-type: none"> 1. See Engine Manual or Engine Service Dealer.
Wheels/Tines will not turn	<ol style="list-style-type: none"> 1. Improper use of controls. 2. Worn, broken, or misadjusted drive belt(s). 3. Internal transmission wear or damage. 4. Bolt loose in transmission pulley. 	<ol style="list-style-type: none"> 1. Review Operation section. 2. Replace or adjust belts. 3. Contact local dealer or the factory. 4. Tighten bolt.
Tines turn, but wheels don't	<ol style="list-style-type: none"> 1. Wheel Drive Pins not in WHEEL DRIVE. 2. Bolt loose in transmission pulley. 3. Internal transmission wear or damage. 	<ol style="list-style-type: none"> 1. Inserts Drive Pins properly. 2. Tighten bolt. 3. Contact local Dealer or the Factory.
Wheels turn, but tines Don't	<ol style="list-style-type: none"> 1. Tine holder mounting hardware missing. 2. Bolt loose in transmission pulley. 3. Internal transmission wear or damage. 	<ol style="list-style-type: none"> 1. Replace hardware. 2. Tighten bolt. 3. Contact local Dealer or the Factory.
Poor tilling performance	<ol style="list-style-type: none"> 1. Worn tines. 2. Improper Depth Regulator setting. 3. Incorrect throttle setting. 4. Forward Drive Belt slipping. 	<ol style="list-style-type: none"> 1. Replace Tines. 2. See "Tilling Tips & Techniques." 3. See Maintenance & Adjustments Section. 4. See Maintenance & Adjustments Section.

Component	Part Number and Description
	754-04091 Reverse Drive Belt 754-04090 Forward Drive Belt
	746-04208 Forward Drive Cable 746-04058 Reverse Drive Cable
	742-04116 Bolo Tine, 10" (RT) 742-04117 Bolo Tine, 10" (LT)
	634-04232 Wheels, 13 x 5 x 6
	17211-ZL8-023 Air Filter
	98079-56846 Spark Plug (BPR6ES)

Phone (800) 800-7310 to order replacement parts or a complete Parts Manual (have your full model number and serial number ready).
 Parts Manual downloads are also available free of charge at www.mtdproducts.com.

MANUFACTURER'S LIMITED WARRANTY FOR



The limited warranty set forth below is given by Troy-Bilt LLC with respect to new merchandise purchased and used in the United States and/or its territories and possessions, and by MTD Products Limited with respect to new merchandise purchased and used in Canada and/or its territories and possessions (either entity respectively, "Troy-Bilt").

"Troy-Bilt" warrants this product (excluding its *Belts, Transmission and Attachments* as described below) against defects in material and workmanship for a period of two (2) years commencing on the date of original purchase and will, at its option, repair or replace, free of charge, any part found to be defective in materials or workmanship. This limited warranty shall only apply if this product has been operated and maintained in accordance with the Operator's Manual furnished with the product, and has not been subject to misuse, abuse, commercial use, neglect, accident, improper maintenance, alteration, vandalism, theft, fire, water, or damage because of other peril or natural disaster. Damage resulting from the installation or use of any part, accessory or attachment not approved by Troy-Bilt for use with the product(s) covered by this manual will void your warranty as to any resulting damage.

Belts are warranted to be free from defects in material and workmanship for a period of thirty (30) days from the date of purchase.

Transmission — Troy-Bilt warrants the transmission (including all gears, shafts and housings) against defects in material and workmanship for the life of the tiller, to the original purchaser only, commencing on the date of original purchase or lease.

Attachments — Troy-Bilt warrants attachments for this product against defects in material and workmanship for a period of one (1) year, commencing on the date of the attachment's original purchase or lease. Attachments include, but are not limited to items such as: grass collectors and mulch kits.

HOW TO OBTAIN SERVICE: Warranty service is available, WITH PROOF OF PURCHASE, through your local authorized service dealer. To locate the dealer in your area:

In the U.S.A.

Check your Yellow Pages, or contact Troy-Bilt LLC at P.O. Box 361131, Cleveland, Ohio 44136-0019, or call 1-866-840-6483, 1-330-558-7220 or log on to our Web site at www.troybilt.com.

In Canada

Contact MTD Products Limited, Kitchener, ON N2G 4J1, or call 1-800-668-1238 or log on to our Web site at www.mtdcanada.com.

This limited warranty does **not** provide coverage in the following cases:

- a. The engine or component parts thereof. These items may carry a separate manufacturer's warranty. Refer to applicable manufacturer's warranty for terms and conditions.

- b. Log splitter pumps, valves, and cylinders have a separate one-year warranty.
- c. Routine maintenance items such as lubricants, filters, blade sharpening, tune-ups, brake adjustments, clutch adjustments, deck adjustments, and normal deterioration of the exterior finish due to use or exposure.
- d. Service completed by someone other than an authorized service dealer.
- e. Troy-Bilt does not extend any warranty for products sold or exported outside of the United States and/or Canada, and their respective possessions and territories, except those sold through Troy-Bilt's authorized channels of export distribution.
- f. Replacement parts that are not genuine Troy-Bilt parts.
- g. Transportation charges and service calls.
- h. Troy-Bilt does not warrant this product for commercial use.

No implied warranty, including any implied warranty of merchantability of fitness for a particular purpose, applies after the applicable period of express written warranty above as to the parts as identified. No other express warranty, whether written or oral, except as mentioned above, given by any person or entity, including a dealer or retailer, with respect to any product, shall bind Troy-Bilt. During the period of the warranty, the exclusive remedy is repair or replacement of the product as set forth above.

The provisions as set forth in this warranty provide the sole and exclusive remedy arising from the sale. Troy-Bilt shall not be liable for incidental or consequential loss or damage including, without limitation, expenses incurred for substitute or replacement lawn care services or for rental expenses to temporarily replace a warranted product.

Some states do not allow the exclusion or limitation of incidental or consequential damages, or limitations on how long an implied warranty lasts, so the above exclusions or limitations may not apply to you.

In no event shall recovery of any kind be greater than the amount of the purchase price of the product sold. **Alteration of safety features of the product shall void this warranty.** You assume the risk and liability for loss, damage, or injury to you and your property and/or to others and their property arising out of the misuse or inability to use the product.

This limited warranty shall not extend to anyone other than the original purchaser or to the person for whom it was purchased as a gift.

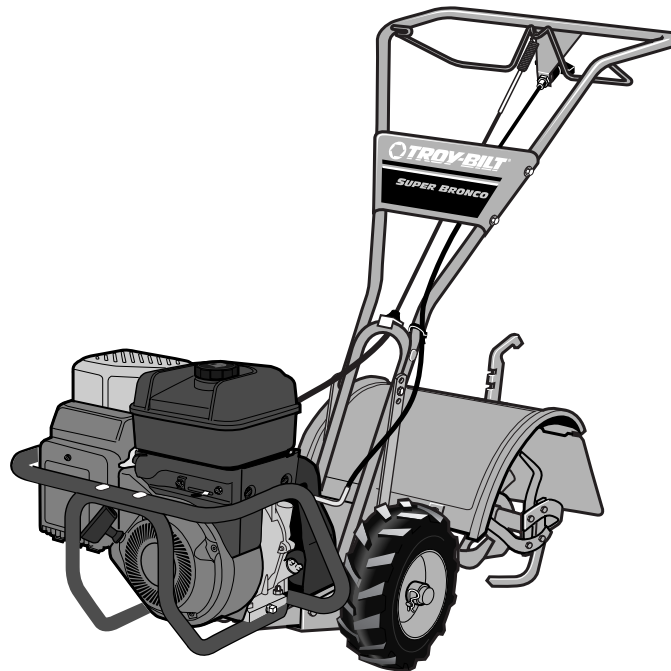
HOW STATE LAW RELATES TO THIS WARRANTY: This limited warranty gives you specific legal rights, and you may also have other rights which vary from state to state.

IMPORTANT: Owner must present Original Proof of Purchase to obtain warranty coverage.

**Troy-Bilt LLC, P.O. BOX 361131 CLEVELAND, OHIO 44136-0019; Phone: 1-866-840-6483, 1-330-558-7220
MTD Canada Limited - KITCHENER, ON N2G 4J1; Phone 1-800-668-1238**



MANUAL DEL OPERADOR



Cultivadoras de Dientes Traseros — Super Bronco

⚠ ADVERTENCIA

LEA Y SIGA TODAS LAS INSTRUCCIONES DE ESTE MANUAL ANTES DE PONER EN
FUNCIONAMIENTO ESTA MÁQUINA.
SI NO RESPETA ESTAS INSTRUCCIONES PUEDE PROVOCAR LESIONES PERSONALES.

TROY-BILT LLC, P.O. BOX 361131 CLEVELAND, OHIO 44136-0019

Gracias

Gracias por comprar una Ciltivadora de Jardín fabricada por MTD LLC. La misma ha sido diseñada cuidadosamente para brindar excelente rendimiento si se la opera y mantiene correctamente.

Por favor lea todo este manual antes de operar el equipo. Le indica cómo configurar, operar y mantener la máquina con seguridad y fácilmente. Por favor asegúrese de seguir cuidadosamente y en todo momento las prácticas de seguridad recomendadas, y hacérselas seguir a cualquier otra persona que opere la máquina. En caso de no hacerlo podrían producirse lesiones personales o daños materiales.

Toda la información contenida en este manual hace referencia a la más reciente información de producto disponible en el momento de la impresión. Revise el manual frecuentemente para familiarizarse con la unidad, sus características y funcionamiento. Por favor tenga en cuenta que este Manual del Operador puede cubrir una gama de especificaciones de productos de diferentes modelos. Las características y funciones incluidas y/o ilustradas en este manual pueden no ser aplicables a todos los modelos. MTD se reserva el derecho de modificar las especificaciones de los productos, los diseños y el equipo

estándar sin previo aviso y sin generar responsabilidad por obligaciones de ningún tipo.

Este producto cumple con las estrictas normas de seguridad del Outdoor Power Equipment Institute y de un laboratorio de pruebas independiente. Si tiene algún problema o duda respecto a la unidad, llame a un distribuidor de servicio MTD autorizado o póngase en contacto directamente con nosotros. Los números de teléfono, dirección del sitio web y dirección postal de la Asistencia al Cliente de MTD se encuentran en esta página. Queremos garantizar su entera satisfacción en todo momento.

En este manual, las referencias al lado *derecho* o *izquierdo* de la máquina se observan desde la posición del operador.

El fabricante del motor es el responsable de todas las cuestiones relacionadas con el rendimiento, potencia de salida, especificaciones, garantía y mantenimiento del motor. Para obtener mayor información consulte el Manual del Propietario / Operador entregado por el fabricante del motor, que se envía, en un paquete por separado, junto con su unidad.

Índice

Importante Medidas importantes de seguridad..	3	Mantenimiento y Ajustes.....	15
Ensamblado y Configuración.....	6	Servicio.....	18
Controles y Características.....	10	Solución de Problemas	22
Funcionamiento	13	Piezas de Reemplazo	23

Registro de información de producto

Antes de configurar y operar su equipo nuevo, por favor localice la placa del modelo en el equipo y registre la información en el área situada a la derecha. Para encontrar la placa de modelo, colóquese detrás de la unidad en la posición del operador y mire hacia la parte inferior de la sección trasera del chasis. Si tiene que solicitar soporte técnico a través de nuestro sitio web, el Departamento de Asistencia al Cliente, o de un distribuidor de servicio autorizado local, necesitará esta información.

NÚMERO DE MODELO

--	--	--	--	--	--	--	--	--	--	--	--

NÚMERO DE SERIE

--	--	--	--	--	--	--	--	--	--	--	--

Asistencia al Cliente

Por favor, NO devuelva la unidad al minorista o distribuidor sin ponerse en contacto primero con el Departamento de Asistencia al Cliente.

En caso de tener problemas para montar este producto o de tener dudas con respecto a los controles, funcionamiento o mantenimiento del mismo, puede solicitar la ayuda de expertos. Elija entre las opciones que se presentan a continuación:

- ◇ Visite nuestro sitio web en www.mtdproducts.com
- ◇ Llame a un representante de Asistencia al Cliente al (800) 800-7310 ó (330) 220-4683
- ◇ Escríbanos a MTD LLC • P.O. Box 361131 • Cleveland, OH • 44136-0019



¡ADVERTENCIA! La presencia de este símbolo indica que se trata de instrucciones importantes de seguridad que se deben respetar para evitar poner en peligro su seguridad personal y/o material y la de otras personas. Lea y siga todas las instrucciones de este manual antes de poner en funcionamiento esta máquina. Si no respeta estas instrucciones puede provocar lesiones personales. Cuando vea este símbolo. **¡TENGA EN CUENTA LAS ADVERTENCIAS!**

PROPOSICIÓN 65 DE CALIFORNIA



¡ADVERTENCIA! El escape del motor de este producto, algunos de sus componentes y algunos componentes del vehículo contienen o liberan sustancias químicas que el estado de California considera que pueden producir cáncer, defectos de nacimiento u otros problemas reproductivos.



¡ADVERTENCIA! Los bornes de la batería y los accesorios afines contienen plomo y compuestos de plomo, sustancias químicas que según lo establecido por el Estado de California causan cáncer y daños en el sistema reproductivo. *Lávese las manos después de estar en contacto con estos componentes.*



¡PELIGRO! Esta máquina está diseñada para ser utilizada respetando las normas de seguridad contenidas en este manual. Al igual que con cualquier tipo de equipo motorizado, un descuido o error por parte del operador puede producir lesiones graves. Esta máquina es capaz de amputar dedos (de las manos y/o los pies), manos y pies. De no respetar las instrucciones de seguridad siguientes se pueden producir lesiones graves o la muerte.

Capacitación

1. Lea, entienda y cumpla todas las instrucciones incluidas en la máquina y en el(los) manual(es) antes de intentar realizar el montaje de la unidad y utilizarla. Guarde este manual en un lugar seguro para consultas futuras y periódicas, así como para solicitar repuestos.
2. Familiarícese con todos los controles y con el uso adecuado de los mismos. Sepa cómo detener la máquina y desactivar los controles rápidamente.
3. No permita nunca que los niños menores de 14 años utilicen esta máquina. Los niños de 14 años en adelante deben leer y entender las instrucciones de operación y normas de seguridad contenidas en este manual y en la máquina y deben ser entrenados y supervisados por un adulto.
4. Nunca permita que los adultos operen esta máquina sin recibir antes la instrucción apropiada.
5. Mantenga el área de operación despejada de personas, particularmente de niños pequeños y mascotas. Detenga la máquina si alguien se acerca.

Preparativos

1. Inspeccione minuciosamente el área donde utilizará el equipo. Quite las piedras, palos, alambres y otros objetos extraños con los que se pueda tropezar y provocar lesiones personales.

2. Utilice zapatos de trabajo resistentes, de suela fuerte, así como pantalones y camisas ajustados. Las prendas sueltas y las alhajas se pueden enganchar en las piezas móviles. Nunca opere la máquina descalzo o con sandalias.
3. Antes de arrancar el motor, desenganche las palancas del embrague y desplácelas (en caso de haber) a la posición neutral ("N").
4. Nunca deje la máquina en funcionamiento sin vigilancia.
5. Nunca intente realizar ajustes mientras el motor está en marcha excepto en los casos específicamente recomendados en el manual del operador.

Manejo seguro de la gasolina:

Para evitar lesiones personales o daños materiales tenga mucho cuidado cuando trabaje con gasolina. La gasolina es sumamente inflamable y sus vapores pueden causar explosiones. Si se derrama gasolina encima o sobre la ropa se puede lesionar gravemente ya que se puede incendiar. Lávese la piel y cámbiese de ropa de inmediato.

- a. Utilice sólo los recipientes para gasolina autorizados.
- b. Nunca llene los recipientes en el interior de un vehículo o camión o caja de remolque con recubrimiento plástico. Antes de llenarlos, coloque siempre los recipientes en el suelo y lejos del vehículo.

- c. Cuando sea factible, retire el equipo a gasolina del camión o remolque y llénelo en el suelo. Si esto no es posible, llene el equipo en un remolque con un contenedor portátil, en vez de hacerlo con una boquilla dispensadora de gasolina.
 - d. Mantenga la boquilla de llenado en contacto con el borde del depósito de combustible o con la abertura del recipiente en todo momento, hasta terminar la carga. No utilice un dispositivo de boquilla de apertura/cierre.
 - e. Apague todos los cigarrillos, cigarros, pipas y otras fuentes de combustión.
 - f. Nunca cargue combustible en la máquina en un espacio cerrado.
 - g. Nunca saque la tapa de la gasolina ni agregue combustible mientras el motor está caliente o en marcha. Deje que el motor se enfríe por lo menos dos minutos antes de volver a cargar combustible.
 - h. Nunca llene en exceso el depósito de combustible. Llene el tanque no más de ½ pulgada por debajo de la base del cuello del tapón de carga, para dejar espacio para la expansión del combustible.
 - i. Vuelva a colocar la tapa de la gasolina y ajústela bien.
 - j. Limpie el combustible que se haya derramado sobre el motor y el equipo. Traslade la máquina a otra zona. Espere 5 minutos antes de encender el motor.
 - k. Para reducir el riesgo de incendio, mantenga la máquina limpia de pasto, hojas y de acumulación de otros residuos. Limpie los derrames de aceite o combustible y saque todos los residuos embebidos en combustible.
 - l. Nunca guarde la máquina o el recipiente de combustible en un espacio cerrado donde haya fuego, chispas o luz piloto, como por ejemplo de calentadores de agua, calefactores de ambientes, hornos, secadores de ropa u otros aparatos a gas.
11. Después de golpear con algún objeto extraño, detenga el motor, desconecte el cable de la bujía y conecte el motor a masa. Inspeccione minuciosamente la máquina para ver si está dañada. Repare el daño antes de arrancar y utilizar la máquina.
 12. Desenganche todas las palancas de embrague (en caso de haber) y detenga el motor antes de dejar la posición de operación (detrás de las manijas). Espere hasta que los dientes se detengan completamente antes de limpiarlos, hacer algún ajuste o inspeccionarlos.
 13. Nunca encienda el motor en espacios cerrados o en una zona con poca ventilación. El escape del motor contiene monóxido de carbono, un gas inodoro y letal.
 14. El silenciador y el motor se calientan y pueden causar quemaduras. No los toque.
 15. Tenga precaución cuando labore terreno cerca de vallas, edificios y servicios subterráneos. Los dientes rotatorios pueden causar daños materiales o lesiones personales.
 16. No sobrecargue la capacidad de la máquina intentando labrar el suelo a un nivel demasiado profundo o a una velocidad demasiado rápida.
 17. Si la máquina arranca haciendo un sonido o una vibración rara, detenga el motor, desconecte el cable de la bujía y conéctelo a masa contra el motor. Inspeccione la máquina minuciosamente para ver si está dañada. Repare todos los daños antes de encender y operar la máquina.
 18. Mantenga todos los escudos, protectores y dispositivos de seguridad en su lugar y en correcto funcionamiento.
 19. Nunca levante o transporte la máquina cuando el motor está encendido.
 20. Use sólo aditamentos y accesorios aprobados por el fabricante. Si no lo hace, pueden producirse lesiones personales.
 21. Si se presentan situaciones que no están previstas en este manual, tenga cuidado y use el sentido común. Póngase en contacto con Asistencia al Cliente para solicitar ayuda y el nombre del distribuidor de servicio más cercano.

Funcionamiento

1. No coloque las manos ni los pies cerca de las piezas giratorias. El contacto con la piezas giratorias puede resultar en la amputación de manos o pies.
2. No utilice la máquina bajo la influencia del alcohol o las drogas.
3. Nunca opere esta máquina sin buena visibilidad o iluminación. Siempre debe estar seguro de que está bien afirmado y sujetando firmemente las manijas.
4. Mantenga a los transeúntes alejados de la máquina mientras la misma está en funcionamiento. Detenga la máquina si alguien se acerca.
5. Tenga cuidado cuando labore tierras duras. Los dientes pueden clavarse en la tierra e impulsar la cultivadora hacia adelante. Si esto ocurre, suelte el manubrio y deje la máquina libre.
6. Sea sumamente precavido cuando opere la máquina sobre una superficie con grava o cuando la cruce. Manténgase alerta por si se presentan peligros ocultos o tránsito. No transporte pasajeros.
7. Nunca utilice la máquina a altas velocidades de desplazamiento sobre superficies duras o resbaladizas.
8. Tenga cuidado para evitar resbalar o caerse.
9. Mire hacia abajo y hacia atrás y tenga cuidado cuando se desplace en marcha atrás o cuando jale de la máquina hacia usted.
10. Arranque el motor de acuerdo con las instrucciones del manual y mantenga los pies alejados de los dientes en todo momento.

Mantenimiento y Almacenamiento

1. Mantenga la máquina, los aditamentos y accesorios en condiciones de funcionamiento seguro.
2. Deje que la máquina se enfríe por lo menos cinco minutos antes de guardarla. Nunca altere los dispositivos de seguridad. Controle periódicamente que funcionen correctamente.
3. Controle frecuentemente que todos los pernos y tornillos estén bien ajustados para comprobar que la máquina se encuentra en condiciones seguras de funcionamiento. Además, haga una inspección visual de la máquina para verificar si está dañada.
4. Antes de limpiar, reparar o inspeccionar la máquina, detenga el motor y asegúrese de que los dientes y todas las partes móviles se hayan detenido. Desconecte el cable de la bujía y póngalo haciendo masa contra el motor para evitar que se encienda accidentalmente.
5. No cambie la configuración del regulador del motor ni lo opere a sobrevelocidad. El regulador del motor controla la velocidad máxima de funcionamiento seguro del motor.
6. Mantenga o reemplace las etiquetas de seguridad e instrucciones según sea necesario.
7. Siga las instrucciones de este manual para cargar, descargar, transportar y almacenar de manera segura esta máquina.
8. Si la máquina se va a almacenar por un período prolongado, consulte siempre el manual del operador para ver los detalles importantes que sean necesarios.

9. Si debe vaciar el tanque de combustible, hágalo al aire libre.
10. Respete las normas referentes a la disposición correcta de residuos y las reglamentaciones sobre gasolina, aceite, etc. para proteger el medio ambiente.

Aviso referido a emisiones

Los motores que están certificados y cumplen con las regulaciones de emisiones federales EPA y de California para SORE (Equipos pequeños todo terreno) están certificados para operar con gasolina común sin plomo y pueden incluir los siguientes sistemas de control de emisiones: Modificación de motor (EM) y catalizador de tres vías (TWC) si están equipados de esa manera.

Amortiguador de chispas



¡ADVERTENCIA! Esta máquina está equipada con un motor de combustión interna y no debe ser utilizada en un terreno agreste cubierto por bosque, malezas o hierba ni cerca del mismo excepto que el sistema de escape del motor esté equipado con un amortiguador de chispas que cumpla con las leyes locales o estatales correspondientes (en caso de haber).

Si se utiliza un amortiguador de chispas el operador lo debe mantener en condiciones de uso adecuadas. En el Estado de California las medidas anteriormente mencionadas son exigidas por ley (Artículo 4442 del Código de Recursos Públicos de California). Es posible que existan leyes similares en otros estados. Las leyes federales se aplican en territorios federales. Puede conseguir el amortiguador de chispas para el silenciador a través de su distribuidor de mantenimiento de motores autorizado más cercano o poniéndose en contacto con el departamento de servicios, Apartado Postal 361131 Cleveland, Ohio 44136-0019.

Vida útil media

Según la Comisión de Seguridad de Productos para el Consumidor de los Estados Unidos (CPSC) y la Agencia de Protección Ambiental de los Estados Unidos (EPA), este producto tiene una *vida útil media* de siete (7) años ó 130 horas de funcionamiento. Al finalizar la *vida útil media*, adquiera una máquina nueva o haga inspeccionar anualmente esta unidad por un distribuidor de servicio autorizado para cerciorarse de que todos los sistemas mecánicos y de seguridad funcionan correctamente y no tienen excesivo desgaste. Si no lo hace, pueden producirse accidentes, lesiones o la muerte.



¡ADVERTENCIA! Su responsabilidad—Restrinja el uso de esta máquina motorizada a las personas que lean, comprendan y respeten las advertencias e instrucciones que figuran en este manual y en la máquina.

GUARDE ESTAS INSTRUCCIONES

El Contenido del Cartón

- Un Cultivadora
- One Hardware Pack
- Un Asamblea del Manija
- Un Manual de Operario
- Un Unidad de la Manija
- Un Manual de Operario de Motor

NOTA: En este manual aparecen varios modelos de cultivadoras y el cultivadora de su máquina puede verse diferente a los ilustrados en este manual.



¡ADVERTENCIA! Para evitar lesiones personales o daños materiales, no arranque el motor hasta después de haber completado todos los pasos de ensamblado y de haber leído y comprendido las instrucciones de seguridad y operativas de este manual.

Herramientas Recomendadas para la Montaje

- llave de extremo abierto de 1/2"
- llave de extremo abierto de 9/16"
- llave de extremo abierto de 3/8"
- Tijera (para recortar las ataduras plásticas)
- Regla (para controlar la tensión de la correa)
- Bloque de madera (para sostener la cultivadora cuando se sacan las ruedas)
- Manómetro para los neumáticos (para los modelos que tienen neumáticos)
- Embudo limpio para aceite
- Aceite de motor. Consulte el Manual del Motor del Operador para ver las especificaciones del aceite y la cantidad necesaria.

Contenido del Paquete del Hardware

- Tornillo de hexagonal, 5/16-18 x 1-1/2"
- Tornillo de hexagonal, 3/8-16 x 3/4"
- Arandela plana, 3/8"
- Arandela de seguridad hendida, 5/16"
- Tuerca hexagonal, 5/16"-18
- Tuerca de seguridad hexagonal, 3/8"-16

Montaje

Instrucciones para Desembalar

NOTA: Al desembalar el equipo, no doble demasiado ningún cable de control.

1. La cultivadora pesa aproximadamente 133 libras. No intente retirarla de la plataforma de embarque hasta el momento indicado en estos Pasos para el ensamblado.
2. Retire todo el material de embalaje de la caja. Retire todas las grapas del fondo de la caja y quite la caja de la plataforma de embarque.
3. Retire todas las piezas no ensambladas y la bolsa de elementos de ferretería separada de la caja. Verifique que estén todos los elementos enumerados en la Lista de Piezas Seltas (póngase en contacto con el distribuidor local o la fábrica respecto de los elementos faltantes o dañados).

Manija

NOTA: Las referencias al lado derecho o izquierdo de la cultivadora se determinan desde la parte posterior de la unidad en la posición de operación.

1. Una las patas de soporte de las barras de control, sin ajustar, a los lados interiores de la estructura de la cultivadora con dos tornillos de cabeza hexagonal de 3/8"-16 x 3/4", arandelas planas de 3/8" y tuercas de seguridad hexagonales de 3/8"-16. Vea la Fig. 3-1.

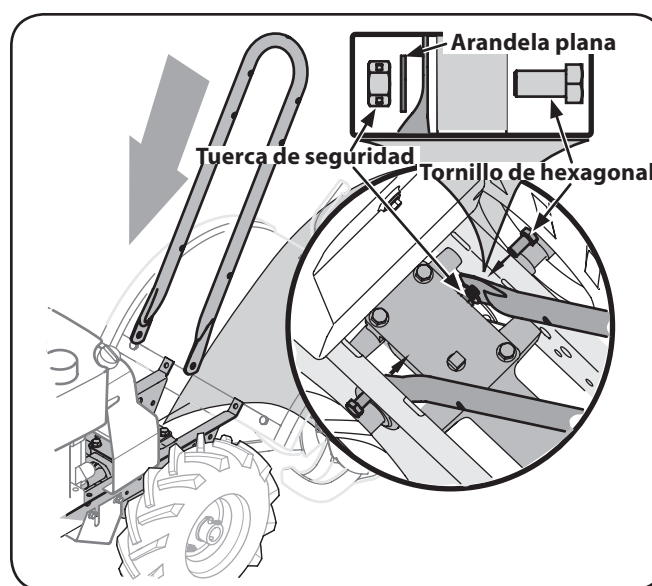


Figura 3-1

- Con dos tornillos de $\frac{5}{16}$ "-18 x 1- $\frac{1}{2}$ ", arandelas de seguridad hendidas de $\frac{5}{16}$ " y tuercas hexagonales de $\frac{5}{16}$ "-18, una el soporte de las barras de control, sin ajustar, usando los orificios superiores. Apriete los dos tornillos con firmeza. Vea la Fig. 3-2.

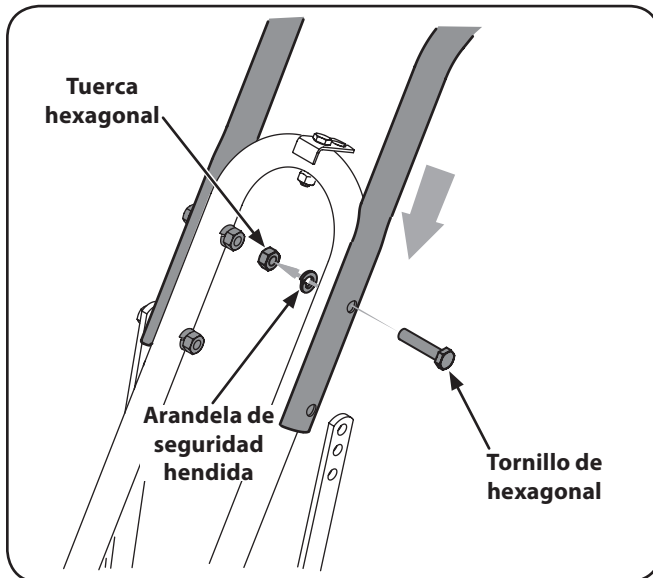


Figura 3-2

- Hay tres orificios de ajuste de la altura en las dos ménsulas de soporte de las barras de control. Use una configuración que posicione las barras de control aproximadamente al nivel de la cintura cuando los dientes se encuentran aproximadamente 3"-4" dentro del suelo. Una las ménsulas de soporte, sin ajustar, al exterior del conjunto de las barras de control usando dos tornillos de $\frac{5}{16}$ "-18 x 1- $\frac{1}{2}$ ", arandelas de seguridad hendidas de $\frac{5}{16}$ " y tuercas hexagonales de $\frac{5}{16}$ "-18. Vea la Fig. 3-2.

NOTA: Si una ménsula de soporte no se mueve, afloje el tornillo y la tuerca de sujeción.

NOTA: Las ménsulas de soporte se deben montar en el exterior del conjunto de las barras de control.

- Apriete con firmeza todos los elementos de ferretería de montaje de las barras de control.

Saque la Cultivadora de la Caja de Embalaje

Para deslizar la cultivadora fuera de la plataforma de embarque, coloque las ruedas en posición "ruedas libres", según se indica a continuación:

- Coloque un bloque resistente debajo de la transmisión para elevar una rueda aproximadamente 1" sobre el piso.

- Retire la pasador de haga clic en las ruedas del cubo de la rueda y eje de la rueda. Vea la Fig. 3-3.

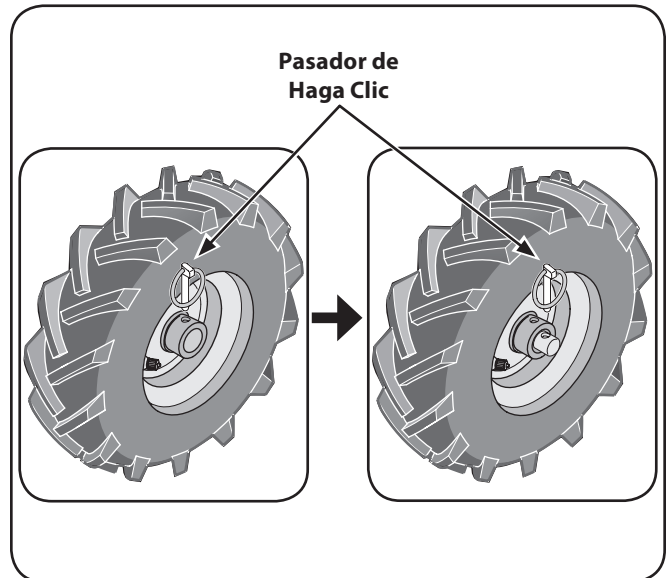


Figura 3-3

- Deslice la rueda totalmente hacia adentro en el eje de la rueda. Reinstale el pasador de haga clic en las ruedas a través del eje de la rueda únicamente (no a través del cubo de la rueda). Vea la Fig. 3-3. La rueda debe girar libremente (ruedas libres) sobre el eje de la rueda. Repita el procedimiento con la otra rueda.
- Use la barra de control para hacer rodar la cultivadora hasta un área plana.

NOTA: Antes de arrancar el motor, las ruedas se deben colocar en la posición TRANSMISIÓN EN LAS RUEDAS (pasadores a través de los cubos de las ruedas y del eje de las ruedas).

Gancho de embrague de marcha directa

1. Desenrolle cuidadosamente el cable del embrague de marcha directa de la posición de embarque y deslice el alambre delgado del cable dentro de la ranura de la ménsula del cable. Empuje el conector del cable hacia arriba a través del orificio de la ménsula hasta que la ranura del conector quede en su lugar. Vea la Fig. 3-4.

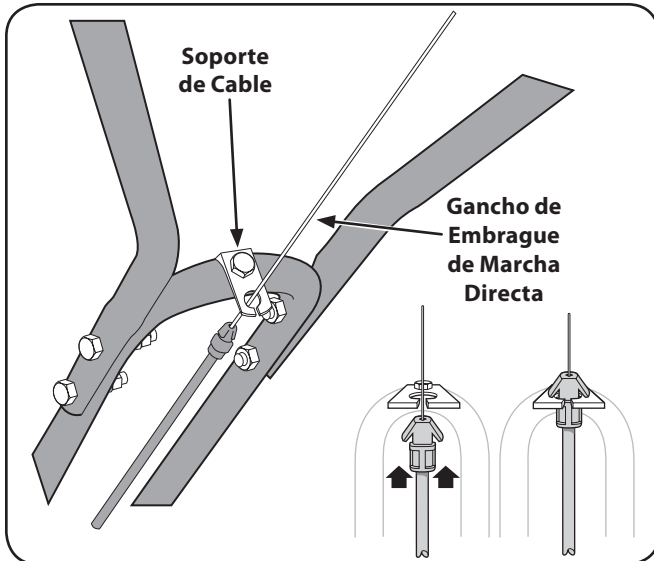


Figure 3-4

2. Enrosque la tuerca hexagonal #10-24 hasta la mitad sobre el tornillo que corre a través del resorte. Vea la Fig. 3-5.

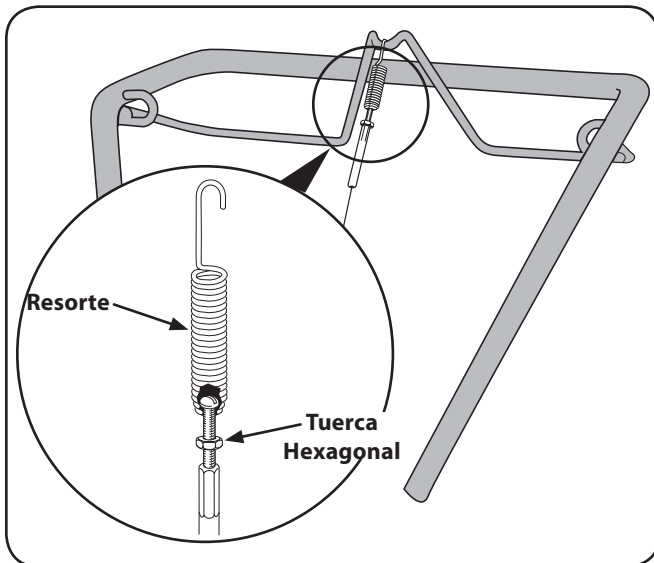


Figure 3-5

3. Enrosque el tornillo dentro del ajustador del cable.

4. Verifique la tensión correcta de la correa de transmisión de marcha directa realizando dos mediciones del resorte del cable, de la siguiente forma:
 - a. Con el gancho del embrague de marcha directa en posición abierta, mida la longitud del resorte del cable desde la bobina exterior hasta la bobina exterior. Vea la Fig. 3-6.

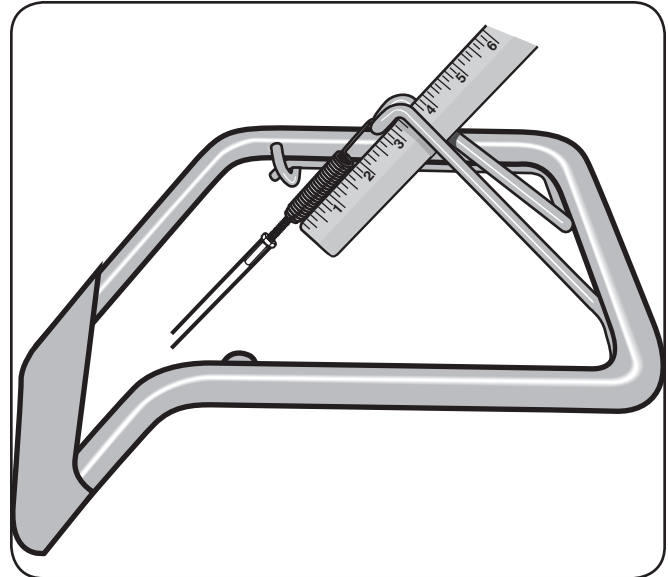


Figure 3-6

- b. Apriete el gancho del embrague de marcha directa contra las barras de control (Vea la Fig. 3-6) y vuelva a medir la longitud del resorte. La tensión de la correa es correcta si esta segunda medición es entre $\frac{1}{16}$ " y $\frac{3}{16}$ " más larga que la primera medición. Si es así, gire la tuerca hexagonal apretándola bien contra el ajustador del cable mientras evita que el ajustador gire.
- c. Si la longitud del resorte es incorrecta, debe ajustar la tensión del cable según se describe en Verificación y ajuste de la tensión de la correa de transmisión de marcha directa en la Mantenimiento y Ajustes Sección. Una tensión incorrecta del cable puede resultar en el deslizamiento de la correa (tensión de cable demasiado floja) o en el movimiento no intencional de los dientes cuando el gancho del embrague se encuentra en posición neutral (tensión de cable demasiado ajustada).

El Cable del Embrague de Marcha Atras

1. Desenrolle el cable del embrague de marcha atrás de su posición de embarque y oriéntelo hacia la barra de control. Asegúrese que el cable esté colocado debajo del gancho del embrague de marcha directa.

2. Inserte el cable a través de la ranura de la ménsula del cable y posicione el lado plano del conjunto roscado junto al lado plano del orificio. Deslice la tuerca hexagonal subiendo por el cable y ajústela con firmeza. Vea la Fig. 3-7.

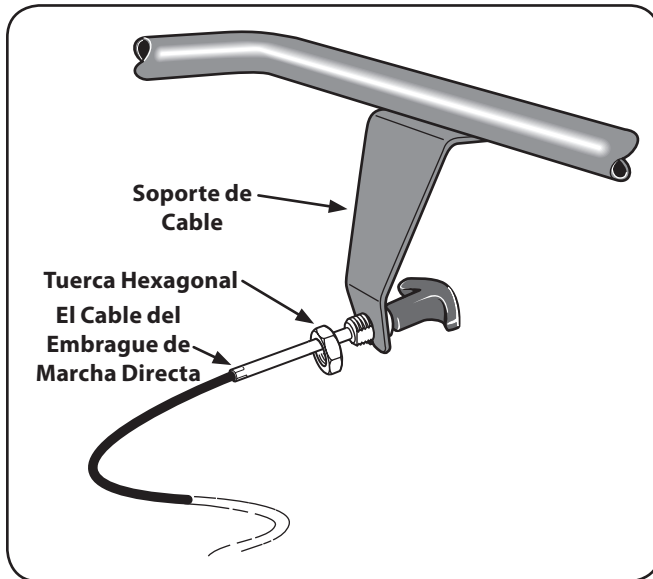


Figura 3-7

3. Una el cable del embrague de marcha atrás a la barra de control del lado izquierdo con una unión de cable.
4. Pruebe el funcionamiento del embrague de marcha atrás jalando hacia afuera y soltando la perilla del cable. La perilla debe volver a la posición neutral (apoyada contra la ménsula). Si no es así, póngase en contacto con el distribuidor local o con Troy-Bilt LLC para solicitar asistencia técnica.

Configuración

Presión de Neumático

Verifique la presión de aire con un manómetro para neumáticos. Desinfle o infle los neumáticos en forma uniforme entre 15 PSI y 20 PSI (libras por pulgada cuadrada).

NOTA: Asegúrese que los dos neumáticos estén inflados en forma uniforme o la unidad tirará hacia un lado.

Carga de Gas y Aceite



¡ADVERTENCIA! Sea sumamente cuidadoso al manipular la gasolina. La gasolina es sumamente inflamable y sus vapores pueden causar explosiones. Nunca cargue combustible en la máquina en un espacio cerrado o cuando el motor está caliente o en marcha.

Cargue el motor con gasolina y aceite como se indica en el manual del motor que se entrega con la cultivadora. Lea las instrucciones con atención.

De Aceite de Engranajes de la Transmisión

La transmisión se llena de aceite de engranajes en fábrica. Sin embargo, debe verificar el nivel de aceite de engranajes en este momento, para asegurarse que sea correcto.

NOTA: No opere la cultivadora si el nivel de aceite de engranajes es bajo. Si lo hace se pueden producir daños graves en los componentes de la transmisión.

1. Con la cultivadora a nivel del suelo, jale la palanca del regulador de profundidad hacia atrás y luego completamente hacia arriba hasta enganchar la ranura más baja en la palanca. Vea la Fig. 3-8.

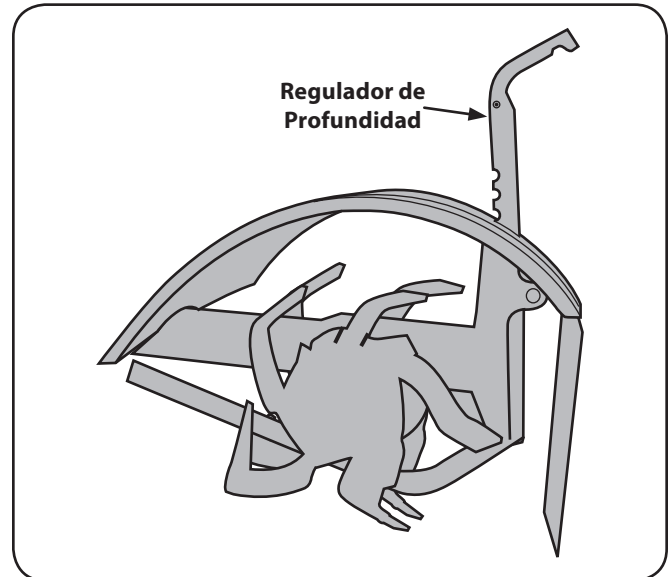


Figure 3-8

2. Saque el tapón de llenado de aceite de la tapa del alojamiento de la transmisión y ubique el eje de la transmisión principal situado dentro del alojamiento. Vea la Fig. 3-9.



Figure 3-9

3. El nivel de aceite de engranajes es correcto si el mismo llega aproximadamente hasta la mitad del lado del eje de transmisión principal.
4. Si el nivel de aceite es bajo, agregue aceite de engranajes consultando la Mantenimiento y Ajustes Sección

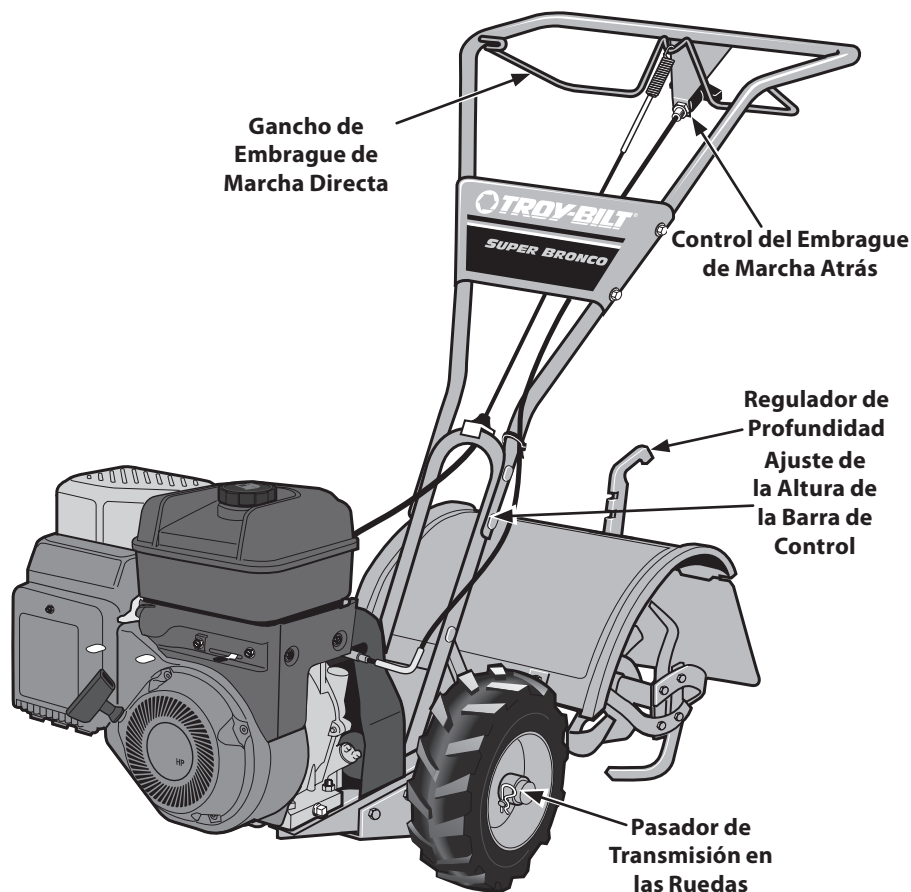


Figura 4-1

NOTA: En este manual aparecen varios modelos de cultivadoras y el cultivadora de su máquina puede verse diferente a los ilustrados en este manual.

Controles del Motor

Consulte el Manual del Motor del Operador que entrega el fabricante para identificar los controles del motor.

Pasador de Transmisión en las Ruedas

Cada rueda está equipada con un pasador Klik de transmisión en las ruedas que ajusta la rueda al eje de la rueda. Las ruedas se pueden posicionar ya sea en el modo TRANSMISIÓN EN LAS RUEDAS o RUEDAS LIBRES.

Gancho de Embrague de Marcha Directa

El gancho del embrague de marcha directa controla el engranado de la marcha directa en las ruedas y dientes.

Control del Embrague de Marcha Atrás

El control del embrague de marcha atrás controla el engranado de la marcha atrás en las ruedas y dientes.

Regulador de profundidad

Esta palanca controla la profundidad de labranza de los dientes. Tire la palanca hacia atrás y deslícela hacia arriba o hacia abajo para engranar los valores de altura de la muesca.

Ajuste de la Altura de la Barra de Control

La altura de la barra de control se ajusta en tres valores diferentes. En general, ajuste las barras de control de modo que queden al nivel de la cintura cuando los dientes están a 3"- 4" dentro del suelo.

Casquillo de Gas

Descoser el casquillo de gas para agregar la gasolina al depósito de gasolina

Terraplén del Aceite

El nivel de aceite de motor se puede ser comprobado y aceite agregar a través del terraplén del aceite

Encendido del Motor

Lista de Verificación Previa al Arranque

Con el cable de la bujía desconectado de la bujía, realice los siguientes controles y servicios antes de usar la máquina:

1. Lea las secciones de Medidas Importantes de Seguridad y Controles y Características de este manual. Lea el Manual del Motor del Operador que se entrega con la unidad.
2. Coloque las ruedas en la posición TRANSMISIÓN EN LAS RUEDAS (los pasadores de las ruedas deben atravesar los orificios de los cubos de las ruedas y del eje de las ruedas).



¡ADVERTENCIA! Nunca deje que ninguna de las ruedas se encuentre en posición RUEDAS LIBRES mientras el motor está en funcionamiento. Siempre coloque las dos ruedas en la posición TRANSMISIÓN EN LAS RUEDAS antes de arrancar el motor. Si no se cumple esta indicación, se podría producir la pérdida del control de la cultivadora, daños materiales o lesiones personales.

3. Verifique si hay algún elemento de ferretería suelto o faltante en la unidad. Realice el mantenimiento según sea necesario.
4. Revise el nivel de aceite del motor. Vea el Manual del Motor del Operador.
5. Verifique que todas las guardas y cubiertas de seguridad se encuentren en su lugar.
6. Verifique el filtro de aire y el sistema de enfriamiento del motor. Vea el Manual del Motor del Operador.
7. Llene el tanque de gasolina de acuerdo con las instrucciones del Manual del Motor del Operador que se entrega por separado. Siga todas las instrucciones y normas de seguridad atentamente.
8. Conecte el cable de la bujía a la misma.

Encendido del Motor



¡ADVERTENCIA! Para ayudar a evitar lesiones personales graves o daños al equipo antes de arrancar el motor, coloque las dos ruedas en la posición TRANSMISIÓN EN LAS RUEDAS. Nunca deje las ruedas en la posición RUEDAS LIBRES mientras el motor está en funcionamiento. Cuando las ruedas están en posición RUEDAS LIBRES, no retienen la cultivadora y los dientes pueden propulsar la cultivadora rápidamente hacia adelante o hacia atrás. Antes de arrancar el motor, coloque el gancho del embrague de marcha directa (todos los modelos) y el control del embrague de marcha atrás en la posición neutral (desengranados) soltando las palancas.



¡ADVERTENCIA! Nunca encienda el motor en espacios cerrados o en una zona con poca ventilación. El escape del motor contiene monóxido de carbono, un gas inodoro y letal. Evite el silenciador del motor y las áreas cercanas. Las temperaturas de estas áreas pueden exceder 150°F..

1. Complete la lista de control previa al arranque que aparece en esta página.
2. Coloque las ruedas en la posición TRANSMISIÓN EN LAS RUEDAS.
3. Mueva la palanca del regulador de profundidad totalmente hacia abajo a la posición "de desplazamiento", de modo que los dientes estén separados del suelo.
4. Suelte todos los controles de la cultivadora.
5. En los motores con válvula de paso de combustible, gire la válvula a la posición abierta, según las instrucciones del Manual del Motor del Operador que se entrega por separado.
6. Coloque el interruptor de encendido y/o la palanca de control del regulador ubicado sobre el motor en la posición "ON" (encendido), "RUN" (funcionamiento), "FAST" (velocidad rápida) o "START" (arranque) de acuerdo con las instrucciones del Manual del Motor del Operador.
7. Ponga el cebador o cebe el motor, según las instrucciones del Manual del Motor del Operador.
8. Coloque una mano sobre el tanque de combustible para estabilizar la unidad cuando jale de la manija de la cuerda de arranque. Luego use el arrancador de retroceso para arrancar el motor, de acuerdo con las instrucciones del Manual del Motor del Operador. Cuando el motor arranque, gradualmente mueva la palanca del cebador (en caso de haber) a la posición "NO CHOKE" (sin cebador), "CHOKE OFF" (cebador apagado) o "RUN" (funcionamiento).
9. Use la configuración del regulador en velocidad "RÁPIDA" cuando realice tareas de labranza.

Detención del Motor

1. Para detener las ruedas y los dientes, suelte el gancho del embrague de marcha directa.
2. Para detener el motor, coloque el interruptor de encendido y/o la palanca de control del regulador en la posición "OFF" (apagado) o "STOP" (detención).

Para Dedicar la Impulsión y los Dientes

1. Para el movimiento de las ruedas hacia adelante y la potencia en los dientes Jale el gancho del embrague de marcha directa hacia arriba contra la barra de control. Suelte el gancho para detener el movimiento hacia adelante de las ruedas y los dientes.
2. Cuando realiza la labranza, distiéndase y deje que las ruedas tiren de la unidad mientras los dientes cavan. Camine detrás, levemente hacia un lado de la unidad. Use una mano, pero sujete la barra de control de forma ligera – aunque firme (mientras deja el brazo flojo). Vea la Fig. 5-1. Deje que la unidad se mueva a su propio ritmo y no empuje hacia abajo en las barras de control para intentar forzar los dientes para que caven más profundo – esto quita peso a las ruedas y reduce la tracción.



Figura 5-1



¡ADVERTENCIA! No empuje hacia abajo sobre las barras de control para intentar hacer que la cultivadora labre más profundo. Esto evita que las ruedas retengan la cultivadora y puede permitir a los dientes propulsar rápidamente la cultivadora hacia adelante, lo cual podría resultar en la pérdida de control, daños materiales o lesiones personales.

1. Para mover marcha atrás:
 - a. Mire hacia atrás con precaución cuando opere marcha atrás. No realice labranza mientras se desplaza marcha atrás.
 - b. Detenga todo movimiento hacia adelante. Levante la barra de control con una mano hasta que los dientes se separen del suelo y luego tire de la perilla de control del embrague de marcha atrás hacia afuera. Para detener la marcha atrás, suelte la perilla de control del embrague de marcha atrás.
 - c. Si es necesario cubrir distancias más largas marcha atrás, apague el motor, luego coloque las dos ruedas en posición RUEDAS LIBRES.

Dar la Vuelta con la Cultivadora

1. Practique dar la vuelta con la cultivadora en un área abierta y nivelada. Tenga cuidado para mantener los pies y las piernas lejos de los dientes.
2. Para comenzar a voltear, levante las barras de control hasta que los dientes se separen del suelo y el motor y los dientes estén balanceados por encima de las ruedas. Vea la Fig. 5-2.



Figura 5-2

3. Con la cultivadora equilibrada, empuje hacia el costado sobre la barra de control en la dirección en que se está volteando. Luego de dar la vuelta, lentamente baje los dientes al suelo para reiniciar la labranza. Vea la Fig. 5-3.



Figura 5-3

Limpieza de los Dientes

- Los dientes tienen una acción autolimpiante que elimina la mayor parte de los desechos que se enredan en los mismos. Sin embargo, a veces se pueden enredar pasto seco, tallos fibrosos o enredaderas resistentes. Siga estos procedimientos para ayudar a evitar que se formen marañas en los dientes y para limpiarlos, si es necesario.
- Para reducir el enmarañado de elementos en los dientes, ajuste el regulador con un valor de profundidad suficiente para lograr una máxima acción de corte ya que los dientes "pican" los materiales contra el suelo. Asimismo, trate de realizar la labranza debajo de los residuos de cosecha o cultivos de cobertura mientras están verdes, húmedos y tiernos.
- Mientras realiza la labranza, trate de balancear las barras de control de un lado al otro (aproximadamente entre 6" y 12"). La acción de "coleado" a menudo despeja los dientes desprendiendo los desechos.
- Si se produce enmarañado, levante los dientes del suelo y pase la cultivadora marcha atrás (si la unidad está equipada con marcha atrás motorizada) unos cuantos pies. Esta acción de marcha atrás debe desprender una buena cantidad de desechos.
- Puede ser necesario quitar los desechos de forma manual (un cuchillo de bolsillo puede ayudar a cortar el material para que se desprenda). Asegúrese de detener el motor y desconectar el cable de la bujía antes de despejar los dientes a mano.



¡ADVERTENCIA! Before clearing the tines by hand, stop the engine, allow all moving parts to stop and disconnect the spark plug wire. Remove the ignition key on electric start models. Failure to follow this warning could result in personal injury.

Sugerencias Y Técnicas de Labranza

Profundidades



¡ADVERTENCIA! Antes de despejar los dientes a mano, detenga el motor, deje que todas las partes en movimiento se detengan y desconecte el cable de la bujía. Retire la llave de encendido en los modelos con arranque eléctrico.

- Esta es una cultivadora de "dientes que rotan en sentido contrario" (CRT). A medida que las ruedas tiran hacia adelante, los dientes rotan hacia atrás. Esto crea una acción de "gancho" de los dientes que cava en profundidad, arrancando de raíz suelo y malezas. No sobrecargue el motor, pero cave lo más profundo posible en cada pasada. En pasadas posteriores, las ruedas pueden tender a girar en el fango blando. Ayúdelas levantando ligeramente la barra de control (una mano, la palma hacia arriba, funciona con mucha facilidad).
- Evite la tentación de empujar hacia abajo sobre las barras de control para forzar a la cultivadora a cavar más profundo. Esto quita peso a las ruedas con potencia, haciéndoles perder tracción.

- Sin las ruedas para retener la cultivadora, los dientes intentarán impulsar la cultivadora hacia atrás, hacia el operador. (Algunas veces una leve presión hacia abajo sobre las barras de control ayudará a atravesar un sector de tierra o suelo no fracturado particularmente duro, pero en la mayoría de los casos no es necesario).
- Al realizar tareas de labranza (rompiendo la superficie de suelo alrededor de las plantas para destruir las malezas, vea la Fig. 5-4), ajuste los dientes para cavar únicamente a una profundidad de 1" a 2". El uso de profundidades de labranza menos pronunciadas ayuda a evitar lesiones a las plantas cuyas raíces a menudo crecen cerca de la superficie. Si es necesario, levante las barras de control ligeramente para evitar que los dientes caven demasiado profundo. (La labranza regular no sólo elimina malezas, sino que además afloja y airea el suelo para mejor absorción de la humedad y crecimiento más rápido de las plantas). Si se riega el área del jardín unos cuantos días antes de la labranza se facilitará esta tarea; también se contribuye permitiendo al suelo recién trabajado asentarse por uno o dos días antes de la pasada final, profunda, de la cultivadora.

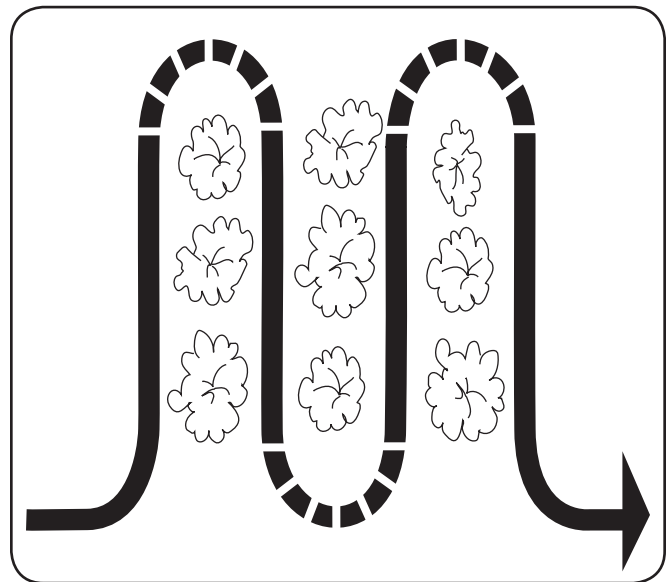


Figura 5-4

Elección de las Velocidades Correctas de las Ruedas y Dientes

Con experiencia, podrá encontrar la combinación de profundidad y velocidad de labranza más adecuada a las necesidades de su jardín. Ajuste la palanca del regulador del motor a una velocidad que dé al motor adecuada potencia y que, al mismo tiempo, opere a la velocidad más lenta posible — por lo menos hasta que haya alcanzado la máxima profundidad de labranza que desee. Al realizar las pasadas finales a través del lecho de siembra o al realizar la labranza tal vez sea deseable utilizar velocidades más rápidas del motor. La selección de la velocidad correcta del motor, en relación con la profundidad de labranza, asegurará un nivel de potencia suficiente para hacer la tarea sin someter al motor a excesiva exigencia.

Sugerido Patrón de Labranza

- Al preparar el lecho de siembra, recorra la misma senda dos veces en la primera hilera, luego traslape la mitad del ancho de la cultivadora en el resto de las pasadas. Vea la Fig. 5-5.

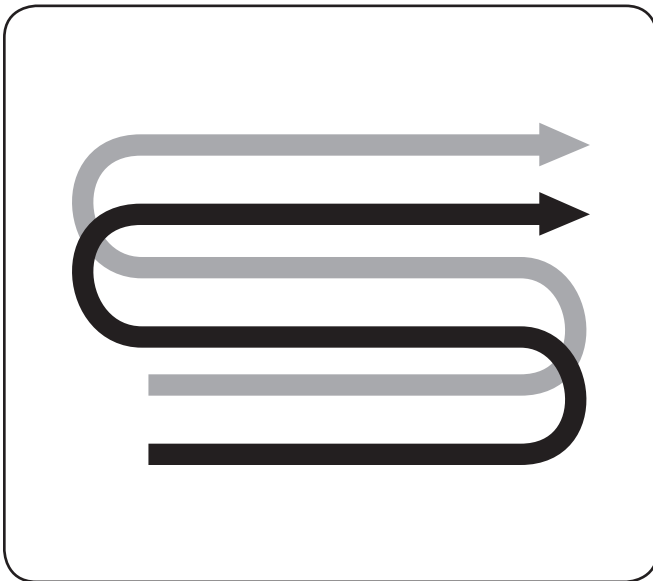


Figura 5-5

- Cuando termine en una dirección, realice una segunda pasada en ángulo recto, según se muestra en la Fig. 5-6. Traslape cada pasada para obtener mejores resultados (en terreno muy duro, puede ser necesario realizar tres o cuatro pasadas para pulverizar el suelo a fondo).

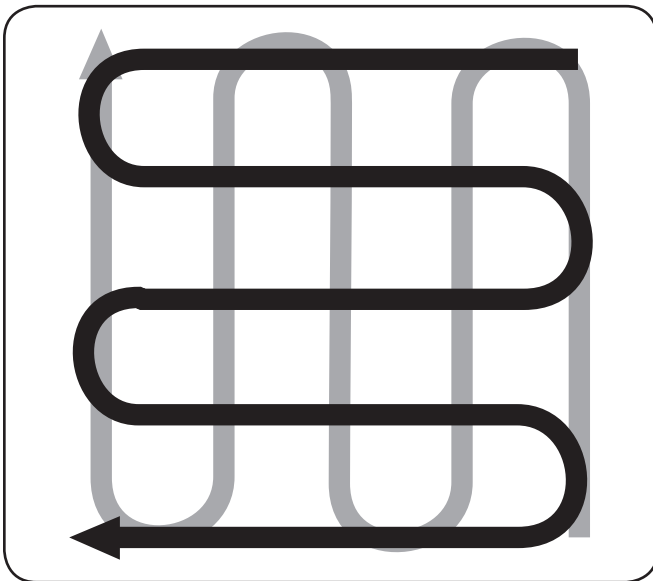


Figura 5-6

- Si las dimensiones del jardín no permiten la labranza en sentido longitudinal y luego en sentido transversal, entonces traslape las primeras pasadas por la mitad del ancho de la cultivadora, continuando con sucesivas pasadas a un cuarto del ancho. Vea la Fig. 5-7.

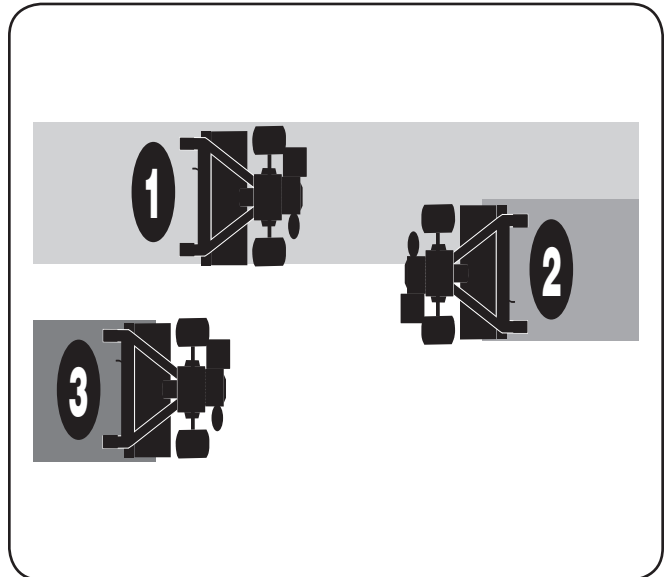


Figura 5-7

Labranza en Pendientes



¡ADVERTENCIA! No opere la cultivadora en una pendiente demasiado empinada para una operación segura. Realice la labranza lentamente y asegúrese de estar firmemente parado. Nunca permita que la cultivadora se desplace con las ruedas libres en el descenso de.

- Realice la labranza únicamente en pendientes moderadas, nunca en terreno demasiado empinado donde sea difícil mantener la estabilidad.
- Recomendamos realizar la labranza subiendo y bajando las pendientes en lugar de hacerlo según un patrón de terrazas. La labranza vertical en una pendiente permite un área máxima de plantación y además deja espacio para el cultivo..

NOTA: Cuando realice la labranza en pendientes, asegúrese de mantener el nivel de aceite correcto en el motor (controle cada media hora de operación). La inclinación de la pendiente hace que el aceite se mueva en sentido oblicuo respecto de su nivel normal y esto puede subalimentar ciertas partes del motor que requieren lubricación. ¡Mantenga el nivel de aceite de motor en el punto más alto en todo momento

Labranza Cuesta Arriba y Cuesta Abajo

- Para mantener la erosión del suelo al mínimo, asegúrese de agregar suficiente materia orgánica al suelo de modo que tenga una textura con adecuado nivel de humedad y trate de evitar dejar huellas de pisadas o marcas de ruedas.

- Al realizar la labranza verticalmente, trate de hacer la primera pasada hacia arriba ya que la cultivadora cava con mayor profundidad cuando sube que cuando baja. En suelo blando o donde hay malezas, puede ser necesario que levante las barras de control levemente al ir cuesta arriba. Al realizar la labranza cuesta abajo, traslape la primera pasada en aproximadamente la mitad del ancho de la cultivadora.

Jardinería en Terrazas

- Para crear una terraza, comience en la cima de la pendiente y trabaje hacia abajo. Recorra la primera hilera hacia atrás y hacia adelante como se muestra en la Fig. 5-8.

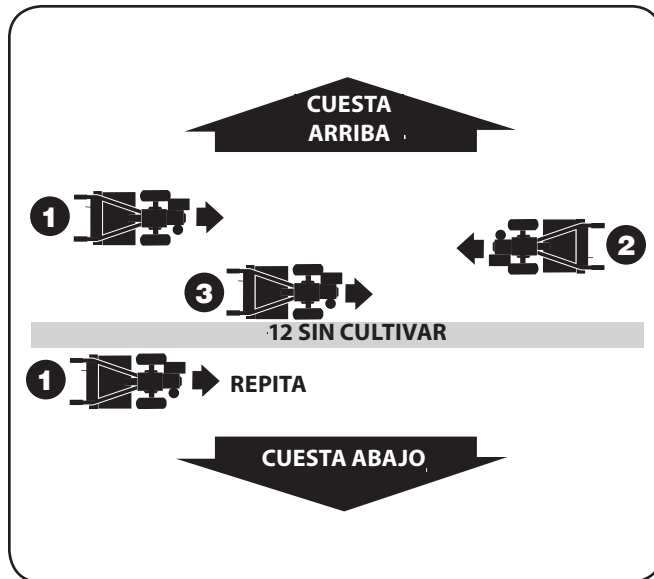


Figura 5-8

- El trabajo en cada terraza inferior sucesiva comienza caminando en la terraza debajo de la que está en preparación. Para mayor estabilidad de la cultivadora, siempre mantenga la rueda cuesta arriba en el suelo blando, recién labrado. No realice la labranza en las últimas 12" o más del borde exterior cuesta abajo de cada terraza. Esta franja sin labrar ayuda a evitar que las terrazas se quiebren y desintegren cuesta abajo. También proporciona una senda para caminar entre las hileras.

Carga y Descarga de la Cultivadora



¡ADVERTENCIA! La carga y descarga de la cultivadora en un vehículo es potencialmente peligrosa y no recomendamos que se haga a menos que sea absolutamente necesario, ya que esto podría resultar en lesiones personales o daños materiales.

Sin embargo, si debe cargar o descargar la cultivadora, siga las pautas que se suministran a continuación.

- Antes de cargar o descargar, detenga el motor, espere que todas las partes dejen de moverse, desconecte el cable de la bujía y deje que el motor y el silenciador se enfríen.
- La cultivadora es demasiado pesada y voluminosa para que una persona la levante con seguridad. Dos o más personas deben repartirse la carga.
- Use rampas resistentes y haga rodar la cultivadora manualmente (con el motor apagado) para subirla o bajarla del vehículo. Para realizar esto se necesitan dos o más personas.
- Las rampas deben ser lo suficientemente fuertes como para soportar el peso combinado de la cultivadora y de los cargadores. Las rampas deben proporcionar buena tracción para evitar resbalones, deben tener rieles laterales para guiar la cultivadora a lo largo de las mismas y deben estar equipadas con un dispositivo de sujeción que las enganche al vehículo.
- Los cargadores deben usar calzado resistente que los ayude a evitar resbalones.
- Posicione el vehículo de carga de modo que el ángulo de la rampa sea lo más plano posible (cuanto menos inclinada sea la rampa, mejor). Apague el motor del vehículo y ponga el freno de mano.
- Al subir por las rampas, párese en la posición operativa normal detrás de la cultivadora y empujela. Una persona a cada lado debe hacer girar las ruedas. • Al bajar rampas, camine hacia atrás con la cultivadora a continuación. Manténgase alerta por si hay algún obstáculo detrás. Posicione una persona en cada rueda para controlar la velocidad de la cultivadora. Nunca baje la rampa con la cultivadora en primer lugar, ya que la máquina podría voltearse hacia adelante.
- Coloque bloques de madera del lado de las ruedas pendiente abajo si necesita detener la cultivadora mientras baja por la rampa. Además, use los bloques para mantener la cultivadora temporalmente en su lugar en las rampas (en caso de ser necesario), y para calzar las ruedas en su lugar una vez que la cultivadora se encuentre en el vehículo.
- Después de cargar la cultivadora, evite que la misma ruede engranando las ruedas en la posición TRANSMISIÓN EN LAS RUEDAS. Calce las ruedas con bloques y amarre la cultivadora con firmeza.

Programa de Mantenimiento

	Control después de las primeras 2 horas	Cámbielo después de las primeras 2 horas	Antes de cada uso	Cada 5 horas	Cada 10 horas	Cada 30 horas	Vea el Manual del Motor
Revise el Nivel de Aceite del Motor			✓	✓			
Limpie el Motor			✓				✓
Verifique la Tensión de la Correa de Transmisión	✓				✓		
Verifique las Tuercas y los Pernos	✓				✓		
Cambie el Aceite de Motor		✓			✓		
Lubrique la Cultivadora					✓		
Realice el Mantenimiento del Filtro de Aire del Motor							✓
Verifique el Nivel de Aceite de Engranajes de la Transmisión						✓	
Verifique el Desgaste de los Dientes						✓	
Verifique la Presión de Aire de los Neumáticos						✓	
Realice el Mantenimiento de la Bujía							✓



¡ADVERTENCIA! Antes de inspeccionar, limpiar o realizar el mantenimiento de la máquina, apague el motor, espere a que todas las partes en movimiento se detengan completamente, desconecte el cable de la bujía y aleje el cable de la bujía. Retire la llave de encendido en los modelos con arranque eléctrico. Si no se observan estas instrucciones se pueden producir lesiones personales graves o daños materiales.

Mantenimiento

Motor

Consulte el Manual del Motor del Operador que entrega el fabricante para identificar los controles del motor.

Presión de Neumático

Verifique la presión de aire en los dos neumáticos. La presión de aire se debe encontrar entre 15 PSI y 20 PSI (libras por pulgada cuadrada). Mantenga los dos neumáticos inflados de forma pareja para evitar que la máquina tire hacia un lado.

Elementos de Ferretería

Verifique si hay elementos de ferretería sueltos o faltantes cada 10 horas de operación y ajústelos o cámbielos (según sea necesario) antes de volver a usar la cultivadora.

Asegúrese de inspeccionar los tornillos que están debajo de la cubierta de la cultivadora que fijan la cubierta de la transmisión y la palanca del regulador de profundidad a la transmisión.

Filtro de Aire

El filtro de aire filtra la suciedad y el polvo que hay en el aire antes de que éste ingrese al carburador. El funcionamiento del motor con un filtro de aire sucio, tapado, puede causar un rendimiento inadecuado y dañar el motor. Nunca opere el motor sin el filtro de aire instalado. Inspeccione y realice el mantenimiento del filtro de aire más a menudo en condiciones de gran cantidad de polvo o suciedad. Consulte el Manual del Motor del Operador para ver los intervalos e instrucciones para la limpieza del filtro de aire.

Aceite de Engranajes de la Transmisión

Verifique el nivel de aceite de engranajes de la transmisión cada 30 horas de funcionamiento o cada vez que advierta una pérdida de aceite. Si se opera la cultivadora cuando el nivel de aceite de la transmisión es bajo se pueden producir daños graves.

Para verificar el nivel de aceite de engranajes de la transmisión:

1. Verifique el nivel de aceite de engranajes cuando la transmisión está fría. El aceite de engranajes se expande en temperaturas de operación cálidas y esta expansión suministra una lectura incorrecta del nivel de aceite.
2. Con la cultivadora a nivel del suelo, tire de la palanca del regulador de profundidad totalmente hacia arriba.
3. Saque el tapón de llenado de aceite del alojamiento de la transmisión y mire adentro del orificio de llenado para ubicar el eje de la transmisión principal situado debajo del orificio. Vea la Fig. 6-1.

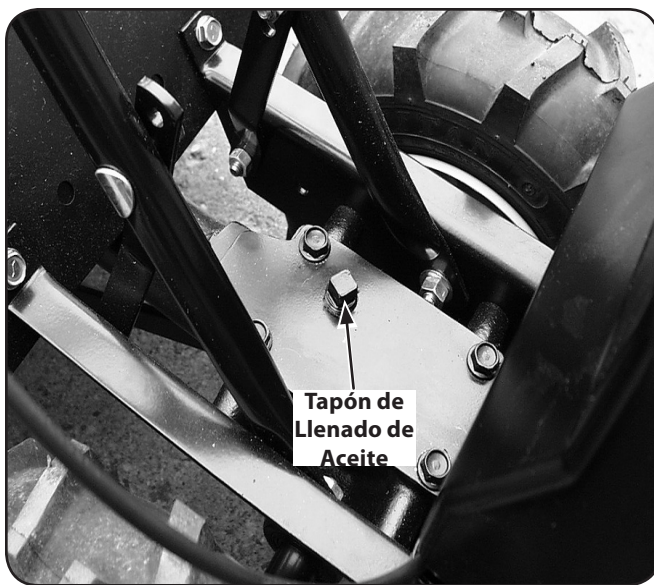


Figura 6-1

4. El nivel de aceite de engranajes es correcto si el mismo llega aproximadamente hasta la mitad del lado del eje de transmisión principal.
5. Si el nivel de aceite de engranajes es bajo, agregue aceite de engranajes según se describe a continuación. Si el nivel de aceite de engranajes es correcto, vuelva a colocar el tapón de llenado de aceite.
6. Si se agregan solamente unas pocas onzas de aceite de engranajes, use aceite de engranajes API de grado GL-4 o GL-5 de viscosidad SAE 140, SAE 85W-140 o SAE 80W-90. Si recarga la transmisión por encontrarse vacía, use únicamente aceite de engranajes GL-4 con viscosidad SAE 85W-140 o SAE 140.
7. Mientras controla frecuentemente para evitar sobrellenado, agregue el aceite de engranajes por el orificio de llenado hasta que alcance el punto medio del eje de transmisión.
8. Vuelva a colocar y ajuste el tapón de llenado de aceite.

Lubricación

Después de cada 10 horas de funcionamiento, aceite o engrase los puntos de lubricación que se muestran en la Figura 6-1 y que se describen más abajo.

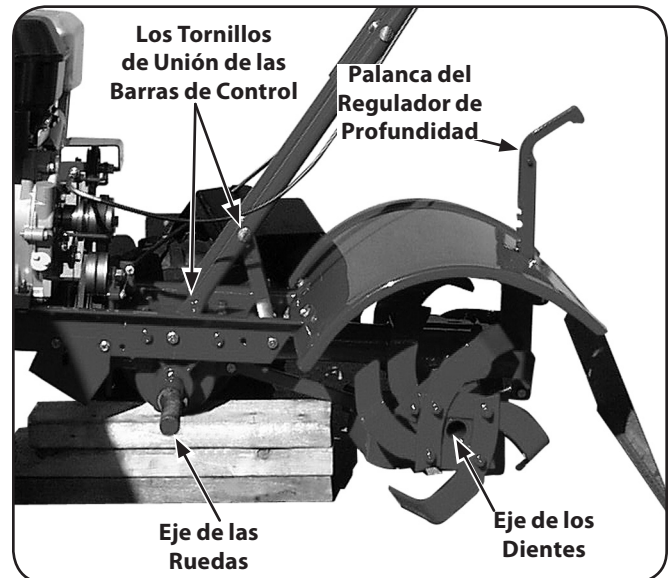


Figura 6-2

Use aceite lubricante limpio (es adecuado el aceite para motores de peso #30) y grasa de uso general limpia (es preferible grasa que contenga un lubricante de metal, si hay disponible).

- Retire las ruedas, limpie el eje de las ruedas y aplique una capa delgada de grasa al eje de las ruedas.
- Engrase los lados traseros, frontales y laterales de la palanca del regulador de profundidad.
- Retire los dientes y limpie el eje de los dientes. Use una lima o papel de lija para quitar suavemente cualquier óxido, rebabas o asperezas (especialmente alrededor de los orificios del eje). Aplique grasa a los extremos del eje antes de instalar los dientes.
- Aceite las roscas de los tornillos de ajuste de altura de las barras de control y los tornillos de unión de las barras de control.

Ajustes

Correa de Marcha Directa

Es importante mantener la tensión correcta de la correa de transmisión de marcha directa. Si la correa está floja los dientes y las ruedas se moverán lentamente — o se detendrán completamente — aún cuando el motor esté en funcionamiento a toda velocidad. Una correa demasiado ajustada puede causar un movimiento no deseado de los dientes cuando el gancho del embrague se encuentre en posición neutral (suelto).

- Controle la tensión de la correa después de las primeras dos horas de funcionamiento inicial y cada 10 horas de funcionamiento.
- Al finalizar cada temporada de labranza, controle la correa para ver si hay grietas, cortes o bordes deshilachados y cámbiela tan pronto como fuere posible.

Para verificar la tensión de la correa de marcha directa (vea la Fig. 6-3):

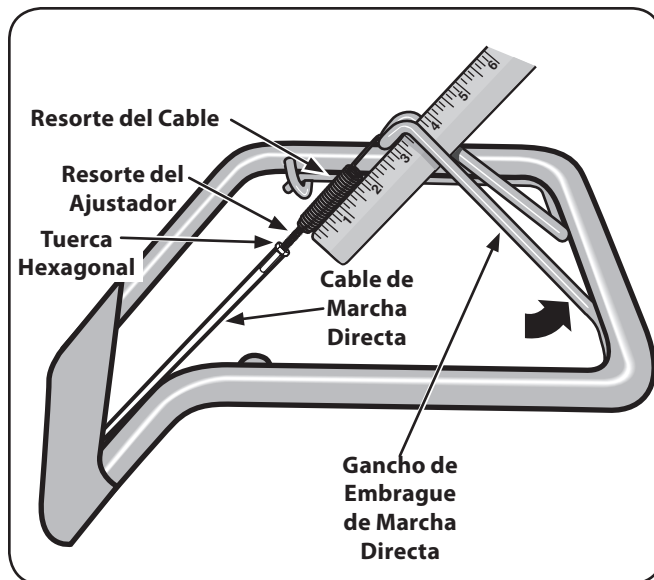


Figura 6-3

1. Detenga el motor, espere a que todas las partes dejen de moverse y desconecte el cable de la bujía.
2. Con el gancho del embrague de marcha directa en posición abierta (suelto), mida y anote la longitud total del resorte del cable midiendo desde la bobina exterior hasta la bobina exterior.
3. Apriete el gancho del embrague de marcha directa contra la barra de control (vea la Fig. 5-4) y vuelva a medir la longitud de las bobinas. La tensión de la correa es correcta si esta segunda medición es entre $\frac{1}{16}$ " y $\frac{3}{16}$ " más larga que la primera medición.
4. Si el resorte es demasiado corto (menos de $\frac{1}{16}$ "), la tensión es demasiado floja. Si el resorte es demasiado largo (más de $\frac{3}{16}$ "), la tensión es demasiado ajustada.
5. Para ajustar la longitud del resorte:
 - a. Suelte el gancho del embrague de marcha directa.
 - b. Desenrosque la tuerca hexagonal hasta la mitad del recorrido del tornillo de ajuste.

- c. Desenganche la parte superior del resorte del gancho del embrague de marcha directa.
- d. Use pinzas para evitar que el ajustador gire, y gire el tornillo ranurado ubicado dentro del resorte en el sentido de las agujas del reloj (visto desde la posición del operador) para aumentar la tensión del resorte. Gire el tornillo en sentido contrario a las agujas del reloj para reducir la tensión. Una vez ajustado, vuelva a unir el resorte al gancho del embrague de marcha directa.
- e. Repita los pasos 2 y 3 para volver a medir la longitud del resorte. Cuando la segunda medición se encuentre entre $\frac{1}{16}$ " y $\frac{3}{16}$ " más larga que la primera medición, vuelva a apretar la tuerca hexagonal contra la parte superior del ajustador.

Correa de Marcha Atrás

Controle la tensión de la correa después de las primeras dos horas de funcionamiento inicial y cada 10 horas de funcionamiento.

Para verificar la tensión de la correa de marcha atrás (vea la Fig. 6-4):

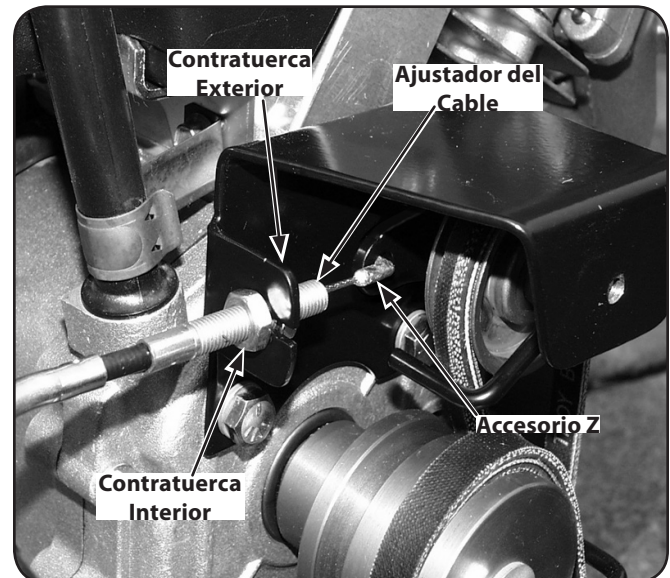


Figura 6-4

1. Detenga el motor, espere a que todas las partes dejen de moverse y desconecte el cable de la bujía.
2. Quite el tornillo de la cubierta plástica de la correa y deslice la cubierta de la correa — la cual está unida al cable del embrague de marcha directa — hacia afuera.
3. Haga que un asistente tire de la perilla de control del embrague de marcha atrás totalmente hacia afuera y manténgala en esa posición. Mida la longitud del alambre del cable entre el extremo del ajustador del cable roscado y el extremo del accesorio Z al cual está unido el alambre del cable.
4. La tensión de la correa es ideal si la longitud del alambre del cable mide entre $\frac{1}{8}$ " y $\frac{1}{4}$ ". Si es inferior a $\frac{1}{8}$ " (y no hay acción de marcha atrás cuando la cultivadora se encuentra en funcionamiento), entonces haga los siguientes ajustes

NOTA: Si la longitud es superior a ¼", no hace falta ningún ajuste — en tanto y en cuanto la acción de marcha atrás funcione adecuadamente.

5. Suelte la perilla de control de embrague de marcha atrás y luego desenrosque la contratuerca interior de una a dos vueltas. Tire del ajustador de cable roscado hacia la izquierda hasta que la contratuerca interior toque la ménsula.
6. Evite que la contratuerca interior gire y ajuste la contratuerca exterior contra la ménsula. Evite que la contratuerca exterior gire y ajuste la contratuerca interior contra la ménsula.
7. Mida la separación repitiendo el Paso 3. Reajuste según sea necesario repitiendo los Pasos 5 y 6.
8. Reinstale la cubierta de la correa.

Almacenamiento Fuera de Temporada

Si la cultivadora no se ha de utilizar durante un período prolongado, prepárela para el almacenamiento de la siguiente forma:

1. Limpie la cultivadora y el motor.
2. Realice la lubricación de rutina de la cultivadora y verifique si hay piezas o elementos de ferretería sueltos.
3. Proteja el motor y realice el mantenimiento de motor recomendado de acuerdo con las instrucciones para el almacenamiento que se encuentran en el Manual del Motor del Operador. Asegúrese de proteger las líneas de combustible, el carburador y el tanque de combustible contra los depósitos de goma, retirando el combustible o tratando el mismo con un estabilizador de combustible (siga las recomendaciones del fabricante del motor).
4. Almacene la unidad en una zona limpia y seca.
5. Nunca almacene la cultivadora con combustible en el tanque de combustible en un área cerrada donde las emanaciones de la gasolina podrían alcanzar llama expuesta o chispas, o donde hubiere fuentes de ignición (calefactores, calentadores de agua, hornos, etc.).

Reemplazo de la Correa

Si es necesario cambiar la correa de transmisión, vea al distribuidor local autorizado o consulte la Lista de piezas para obtener la información y realizar el pedido. Use únicamente correas autorizadas en fábrica, ya que tal vez las correas "genéricas" no suministren un rendimiento satisfactorio. El procedimiento requiere habilidad mecánica media y herramientas habitualmente disponibles.

Dientes

Los dientes bolo se desgastan con el uso y se los debe inspeccionar al comienzo de cada temporada de labranza y a intervalos de 30 horas de funcionamiento. Los dientes se pueden cambiar individualmente o como juego completo. Vea las páginas de Piezas de Reemplazo para consultar la identificación de los dientes y los números de piezas.

Inspección de los Dientes

Con el uso, los dientes se acortan, se angostan y vuelven puntiagudos. El uso de dientes muy desgastados resultará en la pérdida de la profundidad de labranza y en una menor eficacia para cortar y girar debajo de la materia orgánica.

Vea la Fig. 7-1 para los procedimientos siguientes de los pasos.

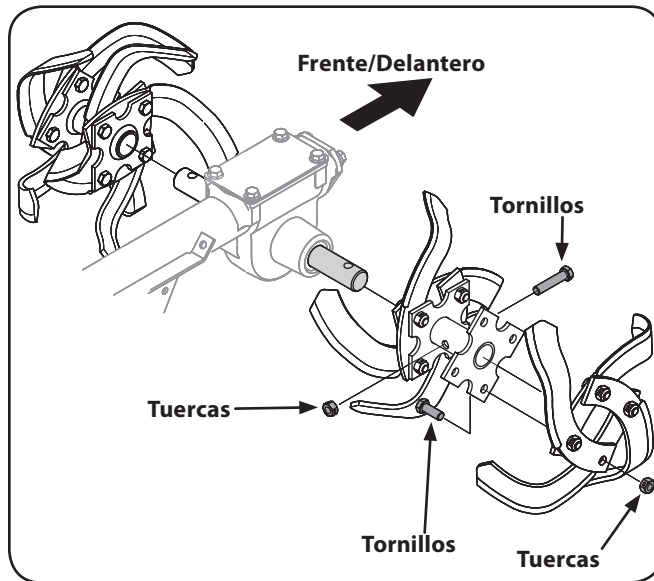


Figura 7-1

Retiro/Instalación de un Solo Diente

1. Con el motor apagado y el cable de la bujía desconectado, retire los dos tornillos y las tuercas que unen un solo diente al soporte de dientes. De ser necesario, use aceite penetrante en las tuercas.
2. Cuando instale un solo diente, asegúrese de posicionarlo de modo que su borde cortante (filoso) penetre el suelo primero a medida que la cultivadora se mueve hacia adelante.

Retiro/Instalación de un Conjunto de Dientes:

1. Un conjunto de dientes comprende ocho dientes montados en un soporte de dientes.
2. Si retira los dos conjuntos de dientes, antes de hacerlo márkelos para identificarlos como "izquierdo" y "derecho". Quite el tornillo y la tuerca de seguridad que fija el conjunto de dientes al eje de los dientes. De ser necesario, use una maza de goma para golpear el conjunto de dientes y desplazarlo hacia afuera del eje.
3. Antes de volver a instalar el conjunto de dientes, inspeccione el eje de los dientes para verificar si hay óxido, asperezas o rebabas. Lime o lije ligeramente, según sea necesario. Aplique al eje una capa delgada de grasa.
4. Instale cada conjunto de dientes de modo que el borde cortante (filoso) de los dientes penetre el suelo primero cuando la cultivadora se mueva hacia adelante. Fije el conjunto de dientes al eje de dientes usando el tornillo y la tuerca de seguridad.

Cambio el Aceite de Engranajes de la Transmisión

NOTA: El aceite de engranajes de la transmisión no necesita ser cambiado a menos que se contamine con suciedad, arena o partículas de metal.

1. Vacíe la gasolina del tanque o haga funcionar el motor hasta que el tanque de combustible esté vacío.
2. Quite los cuatro tornillos (B, Figura 5-2) y retire la tapa y junta de la transmisión. Vea la Fig. 7-2.

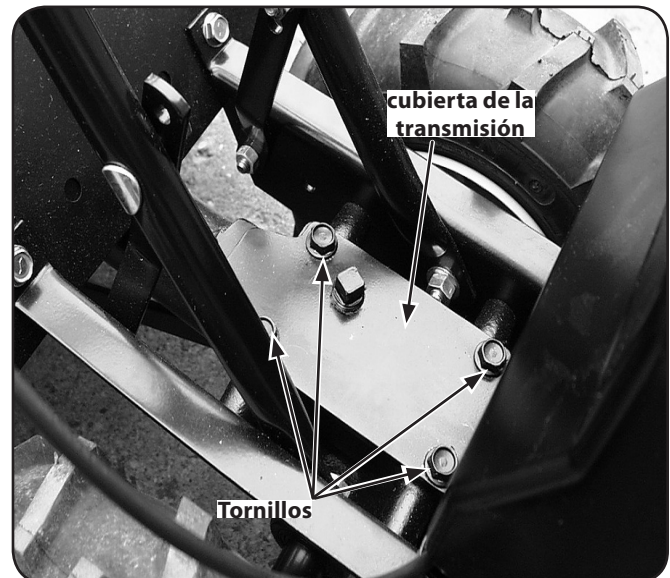


Figura 7-2

3. Retire la rueda del lado izquierdo. Incline el eje de la rueda del lado izquierdo sobre una cubeta de drenaje y deje que el aceite de engranajes drene a través de la parte superior de la transmisión. Vuelva a instalar la rueda. Instale una junta nueva (no vuelva a usar una junta vieja) y vuelva a instalar la cubierta de la transmisión.
4. Llene la transmisión usando aceite de engranajes GL-4 (SAE 85W-140 o SAE 140). Cargue el motor con aceite de motor y llene el tanque de combustible con gasolina.

Problem	Cause	Remedy
El motor no arranca	<ol style="list-style-type: none"> 1. Se ha desconectado el cable de la bujía. 2. Ajuste incorrecto de la palanca de control del regulador del motor. 3. El tanque de combustible está vacío 4. Gasolina vieja. 5. Filtro de aire sucio. 6. Separación defectuosa o incorrecta en la bujía. 7. Es necesario ajustar el carburador. 8. Ajuste incorrecto del control del regulador. 9. Agua o suciedad en el tanque del combustible. 	<ol style="list-style-type: none"> 1. Reconecte el cable. 2. Coloque la palanca en la posición START (arranque). 3. Agregue combustible. 4. Drene el combustible y agregue combustible fresco. 5. Limpie o cambie el filtro. 6. Inspeccione la bujía. 7. Consulte al distribuidor de mantenimiento de motores. 8. Consulte al distribuidor de mantenimiento de motores. 9. Consulte al distribuidor de mantenimiento de motores.
El motor funciona de forma defectuosa	<ol style="list-style-type: none"> 1. Separación defectuosa o incorrecta en la bujía. 2. Filtro(s) de aire sucio(s). 3. Es necesario ajustar el carburador. 4. Gasolina vieja. 5. Agua o suciedad en el tanque del combustible. 6. Sistema de enfriamiento del motor tapado. 	<ol style="list-style-type: none"> 1. Inspeccione la bujía (vea el Manual del Motor). 2. Límpielo o cámbielo (vea el Manual del Motor). 3. Consulte al distribuidor de mantenimiento de motores. 4. Cámbiela por gasolina fresca. 5. Consulte al distribuidor de mantenimiento de motores. 6. Limpie el sistema de enfriamiento de aire (vea el Manual del Motor).
El motor recalienta.	<ol style="list-style-type: none"> 1. Sistema de enfriamiento del motor tapado. 2. Es necesario ajustar el carburador. 3. Nivel de aceite bajo. 	<ol style="list-style-type: none"> 1. Limpie el área de enfriamiento de aire (vea el Manual del Motor). 2. Consulte al distribuidor de mantenimiento de motores. 3. Verifique el nivel de aceite (vea el Manual del Motor).
El motor no se apaga	<ol style="list-style-type: none"> 1. Ajuste incorrecto del control del regulador o del interruptor de ignición. 	<ol style="list-style-type: none"> 1. Vea el Manual del Motor o consulte al distribuidor de mantenimiento de motores.
Las ruedas y los dientes no giran	<ol style="list-style-type: none"> 1. Uso incorrecto de los controles. 2. Correa(s) de transmisión desgastada(s), rota(s) o mal ajustada(s). 3. Trasmisión interna desgastada o dañada. 4. Perno suelto en la polea de transmisión. 	<ol style="list-style-type: none"> 1. Revise la secciones de Funcionemento. 2. Reemplazo o ajuste las correas. 3. Póngase en contacto con el distribuidor local o la fábrica. 4. Ajuste el perno.

Problem	Cause	Remedy
Los dientes giran, las ruedas no.	<ol style="list-style-type: none"> 1. Los pasadores de la transmisión en las ruedas no se encuentran en la posición TRANSMISIÓN EN LAS RUEDAS. 2. Perno suelto en la polea de transmisión. 3. Trasmisión interna desgastada o dañada. 	<ol style="list-style-type: none"> 1. Pernos de impulsión de los rellenos correctamente. 2. Ajuste el perno. 3. Póngase en contacto con el distribuidor local o la fábrica.
Las ruedas giran, los dientes no.	<ol style="list-style-type: none"> 1. Falta elemento de ferretería en el montaje del soporte de dientes. 2. Perno suelto en la polea de transmisión. 3. Trasmisión interna desgastada o dañada. 	<ol style="list-style-type: none"> 1. Vuelva a colocar el elemento de ferretería. 2. Ajuste el perno. 3. Póngase en contacto con el distribuidor local o la fábrica.
Rendimiento deficiente de la labranza	<ol style="list-style-type: none"> 1. Dientes desgastados. 2. Configuración incorrecta del regulador de profundidad. 3. Configuración incorrecta del regulador. 4. Deslizamiento de la correa de transmisión de marcha directa. 	<ol style="list-style-type: none"> 1. Reemplazo Dientes. 2. Vea la "Vea la Mantenimiento y Ajustes Seccion." 3. Vea la Mantenimiento y Ajustes Seccion. 4. Vea la Mantenimiento y Ajustes Seccion.

GARANTÍA LIMITADA DEL FABRICANTE PARA



La siguiente garantía limitada es otorgada por Troy-Bilt LLC con respecto a nuevos productos adquiridos y utilizados en Estados Unidos y/o sus territorios y posesiones, y por MTD Products Limited con respecto a nuevos productos adquiridos y utilizados en Canadá y/o sus territorios y posesiones (cualquiera de las dos entidades, respectivamente, "Troy-Bilt").

"Troy-Bilt" garantiza este producto (excluidas las Correas, transmisión y Accesorios según se describe más abajo) contra defectos en los materiales y mano de obra por un período de dos (2) años a partir de la fecha de compra original y, a su opción, reparará o reemplazará, sin costo alguno, cualquier pieza que presente defectos en los materiales o de mano de obra. Esta garantía limitada sólo se aplicará si el producto ha sido operado y mantenido de acuerdo con las instrucciones del Manual del Operador que se proporciona con el producto y no ha sido sujeto a uso inapropiado, abuso, uso comercial, abandono, accidente, mantenimiento incorrecto, alteración, vandalismo, robo, incendio, inundación o algún daño debido a otro peligro o desastre natural. El daño resultante por la instalación o el uso de piezas, accesorios o aditamentos no aprobados por Troy-Bilt para su uso con el(los) producto(s) incluido(s) en este manual anulará la garantía en lo que respecta a esos daños.

Las correas se garantiza para estar libres de defectos en material y la ejecución por un período de treinta (30) días a partir de la fecha de la compra.

Transmisión - Troy-Bilt garantiza la transmisión (todos los engranajes incluyendo, los ejes y las cubiertas) contra defectos en material y la ejecución para la vida de la sierra, al comprador original solamente, comenzando la fecha de la compra o del arriendo original.

Accesorios — Troy-Bilt garantiza que los accesorios de este producto están libres de defectos de material y mano de obra durante un período de un (1) año a partir de la fecha de compra o arrendamiento original del accesorio. Los accesorios incluyen, pero no se limitan a: colectores de césped y kits para abono.

CÓMO SOLICITAR Y OBTENER SERVICIO TÉCNICO: El servicio de la garantía está disponible, CON PRUEBA DE COMPRA, a través del distribuidor de servicio local autorizado. Para localizar al distribuidor de su zona:

En Estados Unidos de América

Consulte las páginas amarillas, o póngase en contacto con Troy-Bilt LLC en P.O. Box 361131, Cleveland, Ohio 44136-0019, llame al 1-866-840-6483, 1-330-558-7220 ó visite nuestro sitio web en www.troybilt.com.

En Canadá

Póngase en contacto con MTD Products Limited, Kitchener, ON N2G 4J1, llame al 1-800-668-1238 ó visite nuestro sitio web en www.mtdcanada.com.

Esta garantía limitada no suministra cobertura en los siguientes casos:

- El motor o las piezas que lo componen. Estos productos pueden tener garantía del fabricante por separado. Consulte los términos y condiciones en la garantía correspondiente del fabricante.
- Las bombas, válvulas y cilindros del rompetroncos tienen una

garantía separada de un año.

- Los artículos necesarios para el mantenimiento de rutina como por ejemplo lubricantes, filtros, afiladores de cuchillas, sincronización del motor, los ajustes de los frenos, del embrague o de la plataforma y el deterioro normal del acabado exterior debido al uso o exposición.
- Mantenimiento no realizado por el distribuidor de servicio autorizado.
- Troy-Bilt no extiende ninguna garantía para los productos vendidos o exportados fuera de los Estados Unidos de América y/o Canadá, y sus respectivas posesiones y territorios, excepto para aquellos vendidos a través de los canales autorizados de distribución de exportaciones de Troy-Bilt.
- Piezas de reemplazo que no son piezas originales de Troy-Bilt.
- Gastos de transporte y visitas técnicas.
- Troy-Bilt no garantiza este producto para uso comercial.

No existe ninguna garantía implícita, incluyendo cualquier garantía implícita de comerciabilidad o adaptabilidad para un propósito en particular, una vez transcurrido el período aplicable de garantía escrita según lo antedicho en relación con las piezas identificadas. Ninguna otra garantía expresa, ni oral ni escrita, excepto la mencionada anteriormente, extendida por personas reales o jurídicas, incluidos los distribuidores o los minoristas con respecto a cualquier producto, obligará a Troy-Bilt. Durante el plazo de la garantía el único recurso es la reparación o reemplazo del producto como se indicó anteriormente.

Las disposiciones de esta garantía cubren el recurso de reparación única y exclusiva que surge de la venta. Troy-Bilt no se hará responsable de ninguna pérdida o daño incidental o resultante, incluyendo sin limitación, los gastos incurridos para los servicios de mantenimiento del césped, o los gastos de arrendamiento para reemplazar de manera transitoria un producto bajo garantía.

Algunos estados no permiten la exclusión o limitación de los daños y perjuicios incidentales o directos, o las limitaciones sobre la duración de las garantías implícitas, por lo que las exclusiones o limitaciones mencionadas anteriormente pueden no ser de aplicación.

En ningún caso se obtendrá una compensación de ningún tipo por un monto mayor al precio de compra del producto vendido. **La alteración de las características de seguridad del producto anulará esta garantía.** Usted asume el riesgo y la responsabilidad de las pérdidas, daños o lesiones que sufran usted y sus bienes y / u otras personas y sus bienes como resultado del uso incorrecto o de la falta de capacidad para usar este producto.

Esta garantía limitada cubre solamente al comprador original, o a la persona que recibió el producto de regalo.

CÓMO SE RELACIONA LA LEGISLACIÓN ESTATAL CON ESTA GARANTÍA: Esta garantía limitada le otorga derechos legales específicos y usted también puede contar con otros derechos que varían de un estado a otro.

IMPORTANTE: El propietario debe presentar prueba de compra original para obtener la cobertura de la garantía.

Troy-Bilt LLC, P.O. BOX 361131 CLEVELAND, OHIO 44136-0019, Teléfono: 1-866-840-6483, 1-330-558-7220 MTD Canada Limited - KITCHENER, ON N2G 4J1; Teléfono 1-800-668-1238

Free Manuals Download Website

<http://myh66.com>

<http://usermanuals.us>

<http://www.somanuals.com>

<http://www.4manuals.cc>

<http://www.manual-lib.com>

<http://www.404manual.com>

<http://www.luxmanual.com>

<http://aubethermostatmanual.com>

Golf course search by state

<http://golfingnear.com>

Email search by domain

<http://emailbydomain.com>

Auto manuals search

<http://auto.somanuals.com>

TV manuals search

<http://tv.somanuals.com>