



Operator's Manual



**12 Volt Battery
Trimmer
Model TB55B**



IMPORTANT: READ SAFETY RULES AND INSTRUCTIONS CAREFULLY

P/N 769-01380 (12/04)
PRINTED IN USA

INTRODUCTION

THANK YOU

Thank you for buying this quality product. This modern outdoor power tool will provide many hours of useful service. You will find it to be a great labor-saving device. This operator's manual provides you with easy-to-understand operating instructions. Read the whole manual and follow all the instructions to keep your new outdoor power tool in top operating condition.

PRODUCT REFERENCES, ILLUSTRATIONS AND SPECIFICATIONS

All information, illustrations, and specifications in this manual are based on the latest product information available at the time of printing. We reserve the right to make changes at any time without notice.

Copyright© 2004 MTD SOUTHWEST INC, All Rights Reserved.

SERVICE INFORMATION

Service on this unit both within and after the warranty period should be performed only by an authorized and approved service dealer.

For service call **1-800-520-5520** to obtain a list of authorized service dealers near you. For more details about your unit, visit our website at www.troybilt.com.

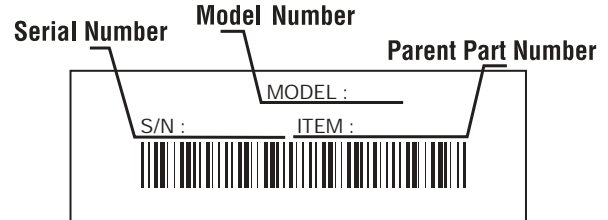
If you have difficulty assembling this product or have any questions regarding the controls, operation or maintenance of this unit, please call the Customer Support Department.

DO NOT RETURN THE UNIT TO THE RETAILER. PROOF OF PURCHASE WILL BE REQUIRED FOR WARRANTY SERVICE.

TABLE OF CONTENTS

Service Information	2
Rules for Safe Operation	3
Know Your Unit	6
Assembly Instructions	7
Operating Instructions	8
Maintenance and Repair Instructions	11
Specifications	15
Troubleshooting Chart	15
Warranty Information	16
Parts List	Inside Back Cover

Before beginning, locate the unit's model plate. It lists the model and serial numbers of your unit. Refer to the sample plate below and copy the information for future reference.



Copy the model and parent part number here: _____

Copy the serial number here: _____

Make sure you carefully read and understand this manual before starting or operating this equipment.

THIS PRODUCT IS COVERED BY ONE OR MORE U.S. PATENTS. OTHER PATENTS PENDING.

RULES FOR SAFE OPERATION

The purpose of safety symbols is to attract your attention to possible dangers. The safety symbols, and their explanations, deserve your careful attention and understanding. The safety warnings do not by themselves eliminate any danger. The instructions or warnings they give are not substitutes for proper accident prevention measures.

SYMBOL	MEANING
--------	---------

	DANGER: Failure to obey a safety warning will result in serious injury to yourself or to others. Always follow the safety precautions to reduce the risk of fire, electric shock and personal injury.
---	--

	WARNING: Failure to obey a safety warning can result in injury to yourself and others. Always follow the safety precautions to reduce the risk of fire, electric shock and personal injury.
---	--

	CAUTION: Failure to obey a safety warning may result in property damage or personal injury to yourself or to others. Always follow the safety precautions to reduce the risk of fire, electric shock and personal injury.
---	--

SYMBOL	MEANING
--------	---------

	SAFETY ALERT: Indicates danger, warning or caution. Attention is required in order to avoid serious personal injury. May be used in conjunction with other symbols or pictographs.
---	---

NOTE: Advises you of information or instructions vital to the operation or maintenance of the equipment.


Read the Operator's Manual(s) and follow all warnings and safety instructions.

Failure to do so can result in serious injury to the operator and/or bystanders.

FOR QUESTIONS, CALL 1-800-520-5520

• IMPORTANT SAFETY INSTRUCTIONS •

READ ALL INSTRUCTIONS BEFORE OPERATING

	WARNING: When using battery trimmers, basic safety precautions should always be followed to reduce the risk of fire, electric shock and personal injury. Carefully read and understand the entire operator's manual before using your trimmer. Pay close attention to the operating instructions and safety warnings.
---	--

- Read the instructions carefully. Be familiar with the controls and proper use of the unit.
- Do not operate this unit when tired, ill or under the influence of alcohol, drugs or medication.
- Children and teens under the age of 15 must not use the unit, except for teens guided by an adult.
- Inspect the unit before use. Replace damaged parts. Check for battery leaks. Make sure all fasteners are in place and secure. Replace cutting attachment parts that are cracked, chipped or damaged in any way. Make sure the cutting attachment is properly installed and securely fastened. Be sure the cutting attachment shield is properly attached, and positioned as recommended. Failure to do so can result in personal injury to the operator and bystanders, as well as damage to the unit.
- Avoid dangerous environments. Never operate your unit in damp or wet conditions. Moisture is a shock hazard.
- Do not use the unit in the rain.
- Do not handle the unit with wet hands.

- Use only 0.080 inch (2.03 mm) diameter original equipment manufacturer replacement line. Never use metal-reinforced line, wire or rope. These can break off and become dangerous projectiles.
- Be aware of the risk of injury to the head, hands and feet.
- Clear the area to be cut before each use. Remove all objects such as rocks, broken glass, nails, wire or string. They can be thrown or become entangled in the cutting attachment. Clear the area of children, bystanders, and pets. At a minimum, keep all children, bystanders and pets outside a 50-foot (15 m.) radius; there still may be a risk to bystanders from thrown objects. Bystanders should be encouraged to wear eye protection. If you are approached, stop the motor and cutting attachment immediately.
- This unit was not designed to be used as a brushcutter. Do not attach or operate this unit with any type of brushcutting blade or brushcutting attachment.

SAFETY WARNINGS FOR BATTERY TRIMMERS

- Battery tools do not have to be plugged into an electrical outlet; therefore, they are always in operating condition. Be aware of possible hazards even when the tool is idle. Take care when performing maintenance or service.
- Remove or disconnect the battery before servicing, cleaning or removing material from the unit.
- Only use the charging station provided with your unit. Do not substitute any other charging equipment. Use of any other means of charging could cause the batteries to explode, resulting in possible serious personal injury.
- Do not charge the unit in the rain or in wet locations.

RULES FOR SAFE OPERATION

SAFETY WARNINGS FOR CHARGING STANDS AND LEAD-ACID BATTERIES

- Before using the charging stand, read all instructions and cautions in this manual, as well as on the charging stand, and on the unit.
- Do not expose charger to rain or snow.
- To reduce risk of injury, charge only sealed lead-acid rechargeable batteries. Other types of batteries may burst, causing personal injury and damage.
- To reduce risk of damage to charger body and cord, pull it by the charger body (not the cord) when disconnecting the charger.
- Make sure the charger cord is located in an area where it will not be stepped on, tripped over or otherwise subjected to damage or stress.
- Do not operate the charger with a damaged cord or plug. If damaged, replaced the charger immediately.
- Do not operate charger if it has received a sharp blow, been dropped or has been damaged in any way. If the charger case is damaged, replace the charger.
- Do not disassemble the charger. The charger is not serviceable; disassembly may result in a electric shock or fire.
- To reduce the risk of electric shock, unplug the charger from the outlet before you clean or service the unit.
- Do not use the charger outdoors.
- Use only the following type and size battery: 12 volt DC, sealed lead-acid battery (182391).
- Do not dispose of batteries in fire. The cell may explode. Batteries should be recycled. Consult your local waste authority for information regarding available recycling and/or disposal options.
- Exercise care when handling the batteries. Be careful and avoid shorting the battery with conducting materials like rings, bracelets and keys. The battery or conductor may overheat and cause burns.
- Charge the battery in a location where the temperature is between 50°F (10°C) and 100°F (38°C).
- Do not open or mutilate the battery. Released electrolyte is corrosive and may cause damage to the eyes or skin. It may be toxic if swallowed.

WHILE OPERATING

- Wear safety glasses or goggles that are marked as meeting ANSI Z87.1-1989 standards, and ear/hearing protection when operating this unit. Wear a face or dust mask if the operation is dusty. Long sleeve shirts are recommended.
- Wear heavy, long pants, boots and gloves. Do not wear loose clothing, jewelry, short pants, sandals or go barefoot. Secure hair above shoulder level.
- The cutting attachment shield must always be in place while operating the unit. Do not operate unit without the trimming lines extended, and the proper line installed. Do not extend the trimming line beyond the length of the shield.
- Adjust the D-handle to your size to provide the best grip.

- Be sure the cutting attachment is not in contact with anything before starting the unit.
- Use the unit only in daylight or good artificial light.
- Avoid accidental starting. Do not carry around a unit with your finger on the trigger switch.
- Use the right tool. Only use this tool for the purpose intended.
- Do not overreach. Always keep proper footing and balance.

Always hold the unit with both hands when operating. Keep a firm grip on both the battery housing grip and the D-handle.
- Keep hands, face and feet at a distance from all moving parts. Do not touch or try to stop the cutting attachment when it is rotating.
- Do not operate the motor faster than the speed needed to cut, trim or edge. Do not run the motor at high speed when you are not cutting.
- Always stop the motor when cutting is delayed or when walking from one cutting location to another.
- If you strike or become entangled with a foreign object, stop the motor immediately and check for damage. Do not operate before repairing damage. Do not operate the unit with loose or damaged parts.
- Release the trigger, ensure the lock-off button resets and allow the motor to stop for maintenance or repair.
- Use only original equipment manufacturer replacement parts when servicing this unit. These parts are available from your authorized service dealer. Do not use unauthorized parts, accessories or attachments. Using unauthorized parts may lead to serious injury, damage to the unit and a voided warranty.
- Keep the unit clean of vegetation and other materials. They may become lodged between the cutting attachment and shield.

OTHER SAFETY WARNINGS







- Disconnect the unit from the power supply when it is idle, when you are storing or transporting it, when you are servicing it, and when you are changing attachments.
- Store the unit in a dry area, locked up to prevent unauthorized use or damage, and stored in a high place out of the reach of children.
- Never douse or squirt the unit with water or any other liquid. Keep handles dry, clean and free from debris. Clean after each use. See the *Cleaning and Storage* instructions.
- Keep these instructions. Refer to them often and use them to instruct other users. If you loan someone this unit, also loan them these instructions.

SAVE THESE INSTRUCTIONS

RULES FOR SAFE OPERATION

SAFETY AND INTERNATIONAL SYMBOLS

This operator's manual describes safety and international symbols and pictographs that may appear on this product. Read the operator's manual for complete safety, assembly, operating and maintenance and repair information.

SYMBOL	MEANING	SYMBOL	MEANING
	<ul style="list-style-type: none">• SAFETY ALERT SYMBOL Indicates danger, warning or caution. May be used in conjunction with other symbols or pictographs.		<ul style="list-style-type: none">• THROWN OBJECTS AND ROTATING CUTTER CAN CAUSE SEVERE INJURY WARNING: Do not operate without the cutting attachment shield in place. Keep away from the rotating cutting attachment.
	<ul style="list-style-type: none">• WARNING - READ OPERATOR'S MANUAL Read the operator's manual(s) and follow all warnings and safety instructions. Failure to do so can result in serious injury to the operator and/or bystanders.		<ul style="list-style-type: none">• SHARP BLADE WARNING: Sharp blade on cutting attachment shield. To prevent serious injury, do not touch line cutting blade.
	<ul style="list-style-type: none">• WEAR EYE AND HEARING PROTECTION WARNING: Thrown objects and loud noise can cause severe eye injury and hearing loss. Wear eye protection meeting ANSI Z87.1 standards and ear protection when operating this unit. Use a full face shield when needed.		<ul style="list-style-type: none">• KEEP BYSTANDERS AWAY WARNING: Keep all bystanders, especially children and pets, at least 50 feet (15 m) from the operating area.

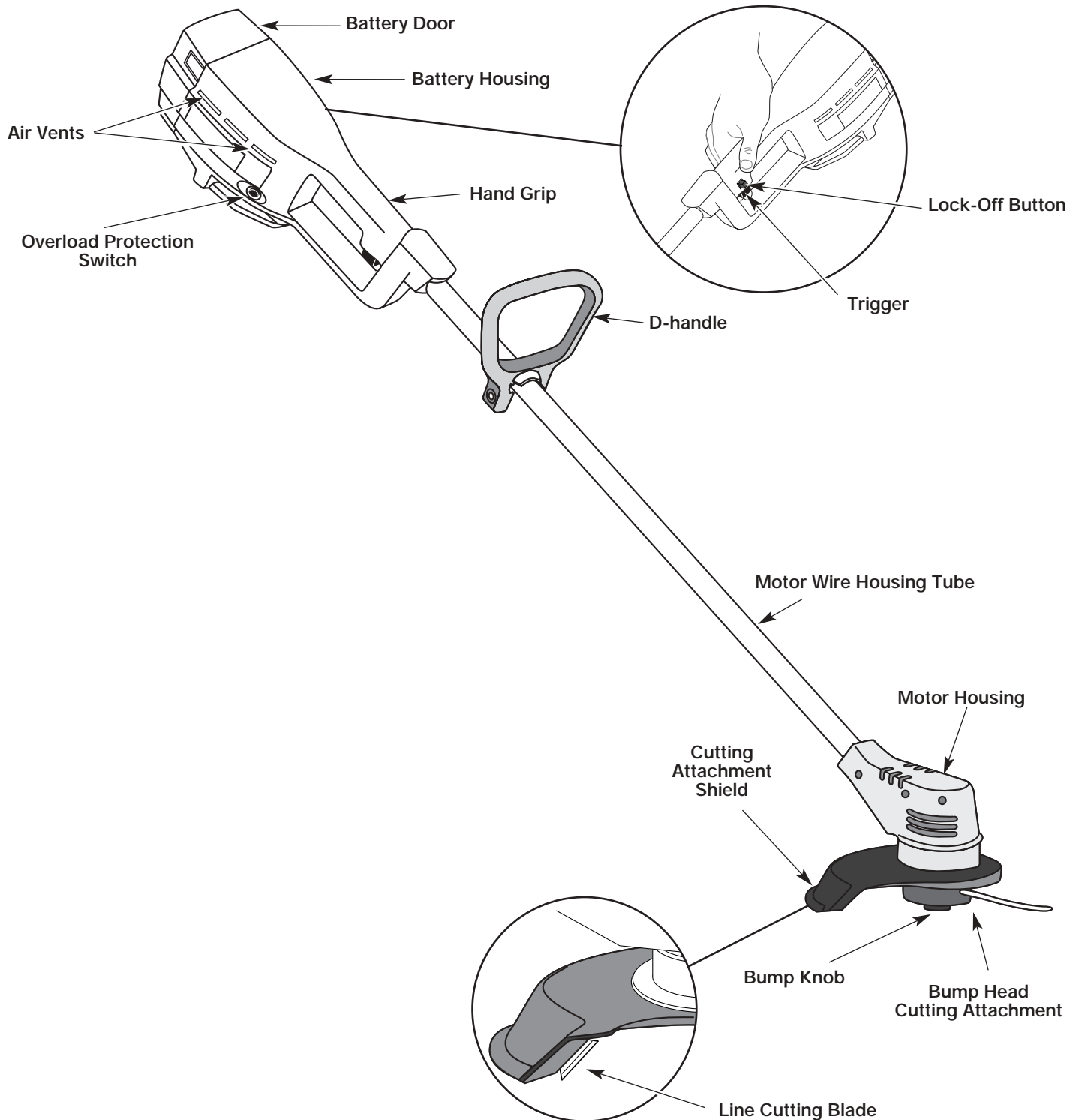
RULES FOR SAFE OPERATION

KNOW YOUR UNIT

APPLICATIONS

As a trimmer:

- Cutting grass and light weeds
- Decorative trimming around trees, fences, etc.



ASSEMBLY INSTRUCTIONS

ADJUSTING THE D-HANDLE

NOTE: The D-handle comes mounted on the backside of the shaft.

1. Locate the wing nut on the D-Handle. Untighten the wing nut enough to loosen the D-Handle (Fig. 1).

NOTE: Do not remove wing nut, washer, or bolt.

2. Rotate the D-Handle to the upright position on the front side of the shaft housing (Fig. 1).

NOTE: The D-handle should slant towards the powerhead of the unit.

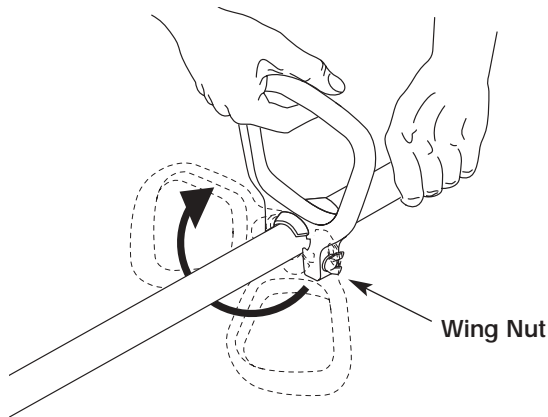


Fig. 1

3. Hold the unit in the operating position. If necessary, reposition the D-handle to the location that provides the best grip (Fig. 2).



Fig. 2

4. Tighten the wing nut until the D-Handle is secure.

MOUNTING THE CHARGING STATION

NOTE: Mount the charging unit and allow the unit to charge for at least 36 hours prior to first use.

This unit may stay on the charging station continuously without overcharging. Place the charging station where the unit is intended to be stored. This should be a cool, dry and well ventilated place, where the unit can be locked-up and out of the reach of children.

The unit should be stored and charged in a location where the temperature is between 50°F (10°C) and 100°F (38°C).

1. Locate a place for the charging station near a wall outlet and high enough to keep the unit off the floor.
2. Locate the wall stud and mount the charging station to the wall using the three (3) screws provided (Fig 3). Make sure that the screws enter the wall stud to provide a secure mount.

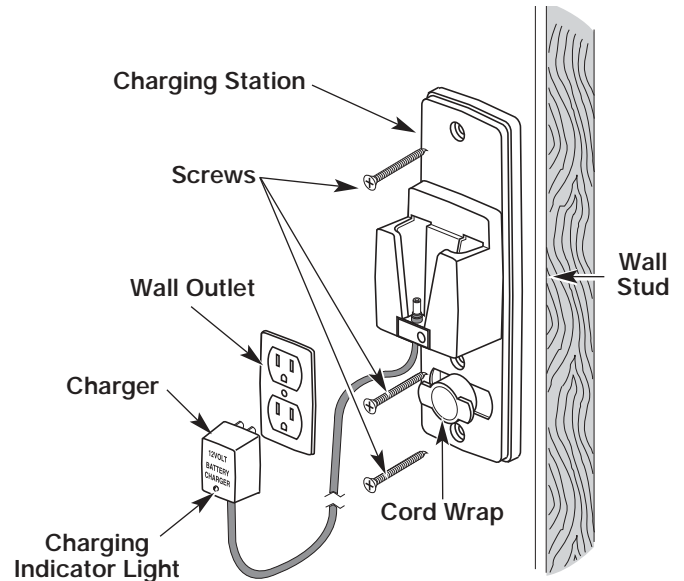



Fig. 3

	CAUTION: To prevent injury or damage to the unit, the charging station must be mounted securely to the wall.
---	---

3. Plug the charger into the wall outlet and wind any excess wire onto the cord wrap on the charging station (Fig. 3).

OPERATING INSTRUCTIONS

CHARGING THE UNIT

Make sure the charging station is securely fastened to a wall and the charger is plugged into a working wall outlet.

NOTE: Allow the unit to charge for at least 36 hours prior to first use.

1. Slide the unit down into the charging station until it is firmly seated (Fig. 4). The barrel connector in the charging station will insert into the unit. If it doesn't, refer to *Replacing the Charger*.

NOTE: The battery will heat up while the unit charges. Be sure the air vents on the battery housing are kept clear for proper ventilation (Fig. 4).

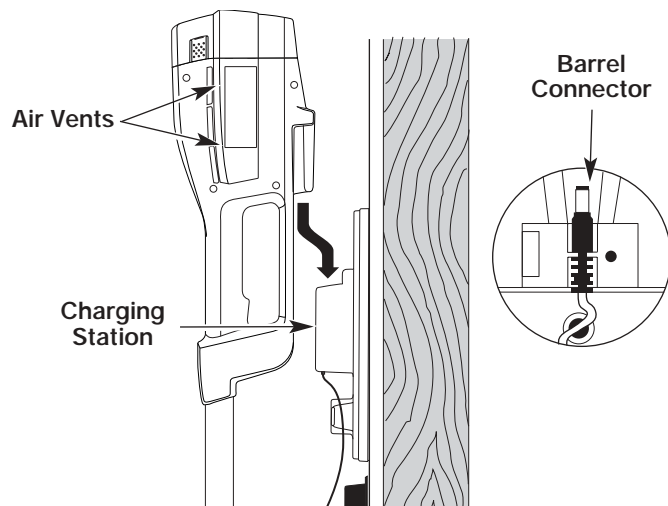



Fig. 4

2. When the red indicator light on the charger is on, the battery is being charged (Fig. 5). If the light fails to come on, check that:
 - a. The charger is plugged into a working wall outlet.
 - b. The unit is firmly seated into the charging station and the barrel connector is fully inserted into the unit.
 - c. The barrel connector is properly installed in the charging station. If it isn't, refer to *Replacing the Charger*.
 - d. Power is on at the wall outlet.

NOTE: If the wall outlet is operated by a switch, be sure the switch is ON.

	WARNING: If the wall outlet is not working properly, have the wall outlet checked by a qualified electrician. This will help prevent serious personal injury.
---	--

3. Charge the battery until the Charging Indicator Light on the charger turns from red to green (Fig. 5).

NOTE: The unit's operating time and the life of the battery will be shortened if the unit is not fully charged between uses.

4. Place the unit back on the charging station after each use. The unit is designed so that the battery cannot be overcharged.

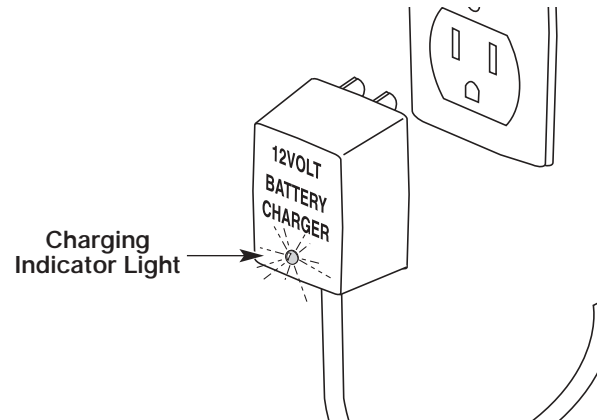


Fig. 5

Charging Tips for Maximum Performance

- Store and charge the unit where temperatures are between 50° F (10° C) and 100° F (38° C). Storing the unit or batteries above 100° F (38° C) will reduce battery life.
- Storage below 50° F (10° C) will not reduce battery life, but may require a longer charging time.
- Store the unit on the charging station when not in use. The unit is designed so that the battery cannot be overcharged.

NOTE: The charging indicator light will remain lit when the unit is properly installed in the charging station.

Temperature Effects on Charging Time

- 50° F (10° C) to 100° F (38° C) – Battery will charge within 24 hours.
- 40° F (4° C) to 50° F (10° C) – Battery will require up to 48 hours for a full charge.
- Below 40° F (4° C) – Battery will not reach full charge.

NOTE: The unit run time will be reduced when the battery is not fully charged.

OPERATING INSTRUCTIONS

STARTING THE UNIT

1. Press and hold the lock-off button in (Fig. 6). This allows the trigger to operate.

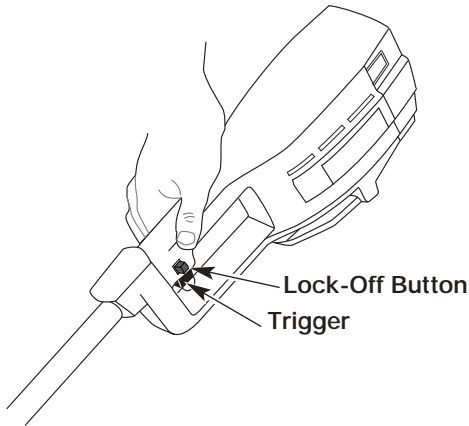


Fig. 6

2. Depress and hold the trigger.
3. Release the lock-off button.

STOPPING THE UNIT

Release the trigger to stop the trimmer.

OVERLOAD PROTECTION SWITCH

This unit is equipped with an overload protection switch to prevent overheating damage to the motor.

If the switch pops out:

1. Release the trigger and allow the unit to cool for a minute.
2. Press the overload switch to reset. Resume operation (Fig. 7).

If the switch pops again shortly after the first time:

1. Allow the unit to cool for 15 to 30 minutes.
2. After the unit has cooled, press the overload switch to reset. Resume operation

If the switch does not stay in or continues to pop out during operation, take the unit to an authorized service dealer for repair.

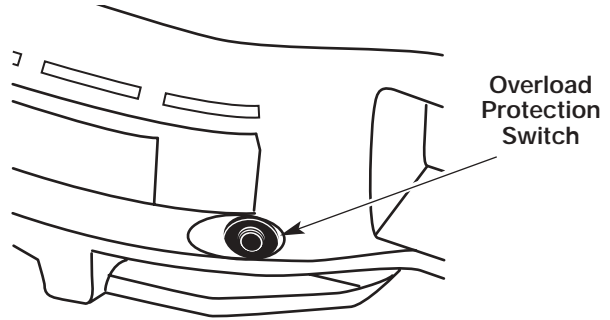


Fig. 7

HOLDING THE UNIT



Before operating the unit, stand in the operating position and check that:

- The operator is wearing eye protection and proper clothing.
- The operator's right arm is slightly bent, the right hand holding the housing grip.
- With a straight left arm, the left hand holding the D-handle.
- The unit is at waist level.
- The trimmer bump head is parallel to the ground and easily contacts the material to be cut without the operator having to bend over (Fig. 8).



Fig. 8



OPERATING INSTRUCTIONS

OPERATING THE TRIMMER



WARNING: Always wear eye, hearing, foot and body protection to reduce the risk of injury when operating this unit.

Clear the area to be cut before each use. Remove all objects such as rocks, broken glass, nails, wire, or string which can be thrown or become entangled in the cutting attachment. Clear the area of children, bystanders, and pets. At a minimum, keep all children, bystanders and pets outside a 50 feet (15m) radius; there still may be a risk to bystanders from thrown objects. Bystanders should be encouraged to wear eye protection. If you are approached, stop the motor and cutting attachment immediately.

NOTE: Remove protective tape from the line cut-off blade before operating trimmer.

ADJUSTING TRIMMING LINE LENGTH

The bump head allows the operator to release more trimming line without stopping the motor. As line becomes frayed or worn, additional line can be released by lightly tapping the trimming head on the ground while operating the trimmer (Fig. 9).

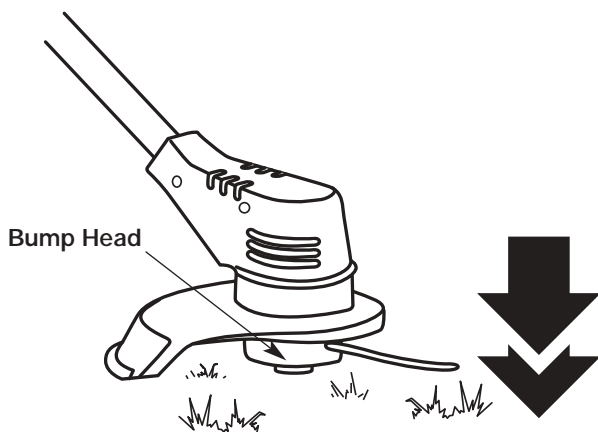


Fig. 9

NOTE: Always keep the trimming line fully extended. Line release becomes more difficult as cutting line becomes shorter.



CAUTION: Do not remove or alter the line cutting blade assembly. Excessive line length will make the unit overheat. This may lead to serious personal injury or damage to the unit.

Each time the head is bumped, approximately 1 inch (25.4 mm) of trimming line is released. A blade in the string guard will cut the line if excess line is released.

For best results, tap the head on bare ground or hard soil. If line release is attempted in tall grass, the motor may overheat. Always keep the trimming line fully extended. Line release becomes more difficult as the cutting line becomes shorter.

TIPS FOR BEST TRIMMING RESULTS

- Keep the cutting attachment parallel to the ground.
- Do not force the cutting attachment. Allow the tip of the line to do the cutting, especially along walls. Cutting with more than the tip will reduce cutting efficiency and may overload the motor.
- Cut grass over 8 inches (200 mm) by working from top to bottom in small increments to avoid premature line wear or motor drag.
- Cut from right to left whenever possible. Cutting to the left improves the unit's cutting efficiency. Clippings are thrown away from the operator.
- Slowly move the trimmer into and out of the cutting area at the desired height. Move either in a forward-backward or side-to-side motion. Cutting shorter lengths produces the best results.
- Trim only when grass and weeds are dry.
- The life of your cutting line is dependent upon:
 - Following the trimming techniques previously explained
 - What vegetation is cut
 - Where vegetation is cut

For example, the line will wear faster when trimming against a foundation wall as opposed to trimming around a tree.

DECORATIVE TRIMMING

Decorative trimming is accomplished by removing all vegetation around trees, posts, fences and more.

Rotate the whole unit so that the cutting attachment is at a 30° angle to the ground (Fig. 10).

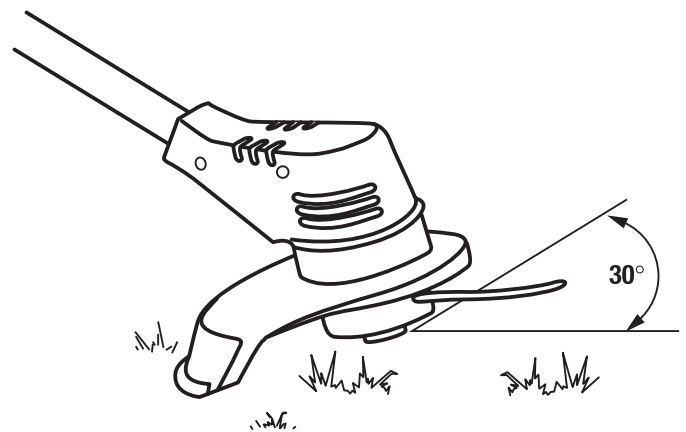


Fig. 10

MAINTENANCE AND REPAIR INSTRUCTIONS

The warranty on this unit does not cover items that have been subjected to operator abuse or negligence. To receive full value from the warranty, the operator must maintain the unit as instructed in this operator's manual.



WARNING: Battery tools do not have to be plugged into an electrical outlet; therefore, they are always in operating condition. To prevent serious personal injury, take extra precaution and care when removing or installing add-on attachments.



WARNING: To prevent serious personal injury, remove or disconnect the battery before servicing, cleaning or removing material from the unit.

SERVICING DOUBLE INSULATED UNITS

This unit is double-insulated. In a double-insulated unit, two systems of insulation are provided instead of grounding. There is no grounding provided and no means of grounding should be added to this unit.

Extreme care and knowledge of the system is required when servicing a double-insulated unit. Service should be performed by qualified service personnel only. Replacement parts for a double-insulated unit must be identical to the parts they replace. Refer any repair to an authorized service dealer. A double-insulated unit is marked with the words "double insulation" or "double insulated."

LINE INSTALLATION



WARNING: Never use metal-reinforced line, wire, chain or rope. These can break off and become dangerous projectiles.

Always use genuine original equipment manufacturer 0.080 in. (2.03 mm.) replacement line. Using line other than specified may cause the unit to overheat or fail.

There are two methods to replace the trimmer line:

- Wind the inner reel with new line
- Install a prewound inner reel

Winding the Existing Reel

1. Remove the bump head cover by pressing in both bump head cover tabs visible on either side of the bump head outer spool (Fig. 11).

NOTE: The spring will push the cover up when the tabs release.

2. Remove the inner reel and spring (Fig. 11).
3. Use a clean cloth to wipe the inner surface of the outer spool (Fig. 11).

NOTE: Always clean the inner reel, outer spool and shaft before reassembling the bump head.

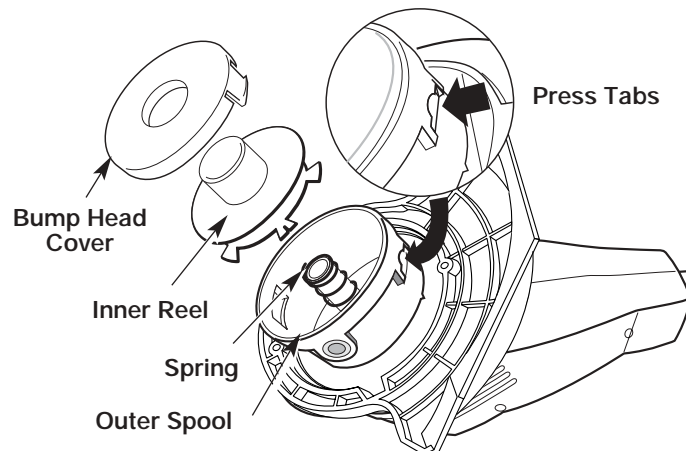


Fig. 11

4. Check the indexing teeth on the inner reel and outer spool for wear (Fig. 12). If necessary, remove burrs or replace the reel and spool.

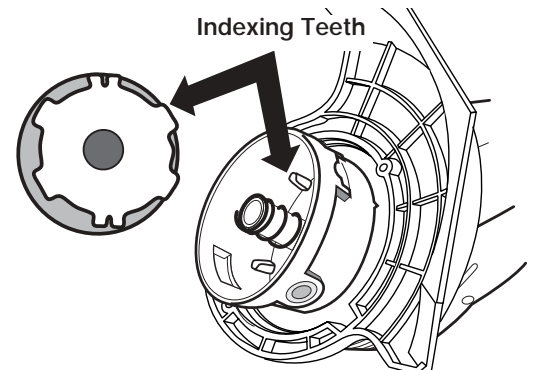


Fig. 12

5. Take approximately 12 feet (3.6 m) of new trimming line and insert one end of the line into the hole in the inner reel (Fig. 13).
6. Wind the line, in even and tight layers, onto the reel (Fig. 13). Wind the line in the direction indicated on the inner reel.

NOTE: Failure to wind the line in the direction indicated will cause the bump head to operate incorrectly.

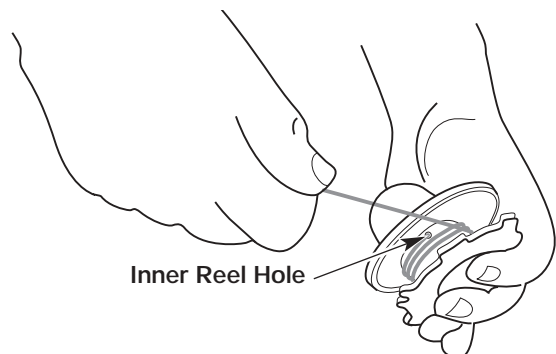


Fig. 13

MAINTENANCE AND REPAIR INSTRUCTIONS

7. Insert the end of the line into one of the two holding slots (Fig. 14).

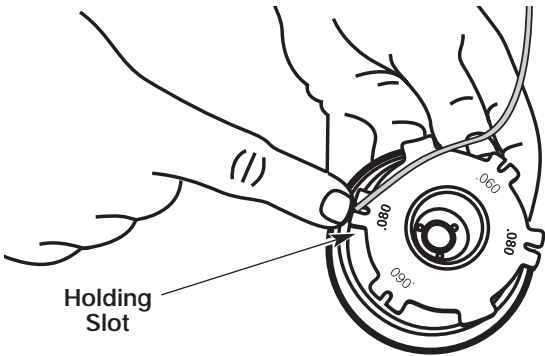


Fig. 14

8. Insert the end of the line through the eyelet in the outer spool (Fig. 15).

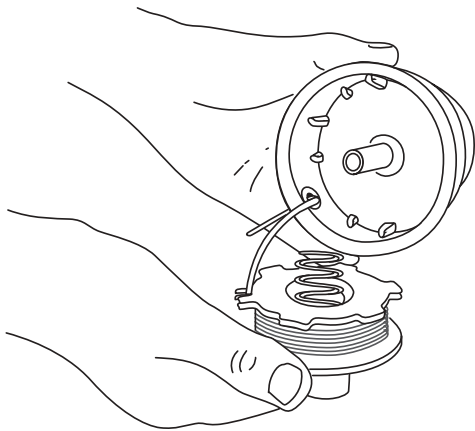


Fig. 15

9. Place inner reel and spring inside the outer spool.

NOTE: The spring must be assembled on the inner reel before reassembling the bump head.

10. Hold the inner reel in place, grasp the line end and pull firmly to release the line from the holding slot in the inner reel (Fig. 16).

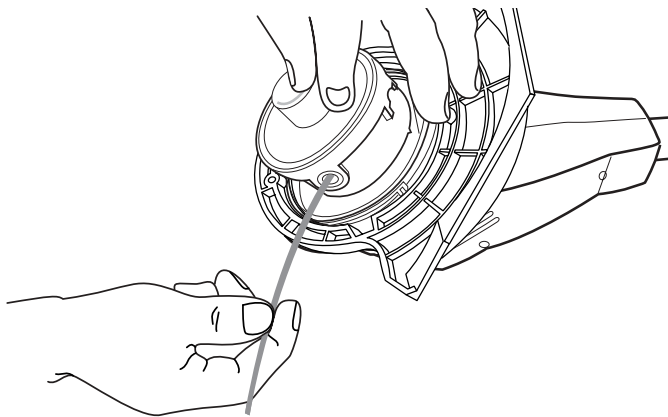


Fig. 16

11. Install the bump head cover over the inner reel. Align the tabs on the cover with the slots in the outer spool and press the cover evenly down until it snaps into place.

NOTE: Make sure the bump head cover tabs snap into place or the inner reel will come out during operation.

INSTALLING A PREWOUND REEL

Always use genuine replacement line. Using larger line than the specified may make the motor overheat or fail.

1. Remove the bump head cover by pressing in both bump head cover tabs visible on either side of the bump head outer spool (Fig. 11).

NOTE: The spring will push the cover up when the tabs release.

2. Remove the old inner reel and spring from the outer spool (Fig. 11).
3. Remove the spring from the old inner reel (Fig. 11).
4. Use a clean cloth to wipe the inner surface of the outer spool.
5. Insert the end of the line, on the prewound reel, through the eyelet in the outer spool (Fig. 15).

6. Place inner reel and spring inside the outer spool.


NOTE: The spring must be assembled on the inner reel before reassembling the bump head.

7. Hold the inner reel in place, grasp the line end and pull firmly to release the line from the holding slot in the inner reel (Fig. 16).
8. Install the bump head cover over the inner reel. Align the tabs on the cover with the slots in the outer spool and press the cover evenly down until it snaps into place.

NOTE: Make sure the bump head cover tabs snap into place or the inner reel will come out during operation.

MAINTENANCE AND REPAIR INSTRUCTIONS

BATTERY PACK REPLACEMENT

 Pb	To preserve natural resources, please recycle or dispose of properly. THIS PRODUCT CONTAINS A SEALED LEAD-ACID BATTERY AND MUST BE DISPOSED OF PROPERLY. Local, state, or federal laws may prohibit disposal of sealed lead-acid batteries in ordinary trash. Consult your local waste authority for information regarding available recycling and/or disposal options.
---	---

Removing the Battery

1. Push the two latches on the side of the battery housing door in and swing the door down. Unhook the door from the slot on the bottom of the battery housing by lifting up and away. Set the door aside (Fig. 17).

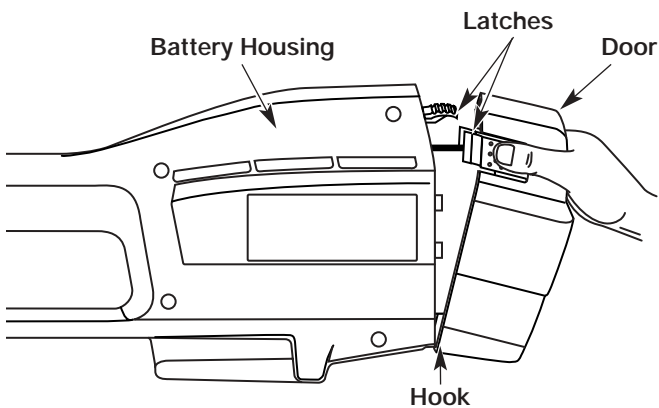


Fig. 17

2. Push down on the battery retaining latch while pulling battery out (Fig. 18).

NOTE: You might notice grease on the terminal contacts when the battery is removed. This is normal.

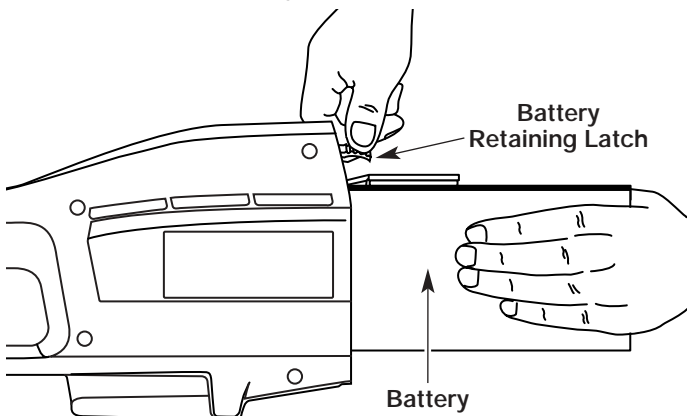


Fig. 18



WARNING: If the battery pack has signs of leakage, do not touch. Do not open or mutilate the battery. Released electrolyte is corrosive and may cause damage to the eyes or skin. To avoid serious injury, take the unit to an authorized service dealer for repair.

Installing the Battery

1. Slide the battery into the battery housing until the battery retaining latch locks the battery into place (Fig 18).
2. Reinstall the door by hooking over the slot on the bottom of the battery housing. Swing the battery housing door closed until the two latches snap into place.

For best performance when reinstalling the battery:

- Check the battery terminals for corrosion and clean them if necessary. Clean the terminals using a dry scrubbing pad and wipe clean with a dry cloth. Never use liquids to clean terminals.
- Check the battery casing for signs of damage and replace it if needed.

NOTE: If you clean or replace the battery, apply a small amount of electrically conductive grease to the terminals only. This grease is available at any local electronics store. *Do not use automotive or bearing grease.*

Storing the Battery Pack

If you are removing the battery for replacement or for storage, cover the battery pack's terminals with heavy duty electrical tape.




WARNING: Do not attempt to destroy or disassemble battery or remove any of its components. Sealed lead-acid batteries must be recycled or disposed of properly. Never touch both terminals with metal objects and/or body parts, a short circuit may result. Keep away from children. Failure to comply with these warnings could result in fire and/or serious personal injury.

MAINTENANCE AND REPAIR INSTRUCTIONS

REPLACING THE CHARGER

Replace the charger if it is damaged, if the barrel connector or cord become damaged, or if the barrel connector is not contacting the unit properly.

	CAUTION: Only use the type of charger specified for this unit. Any other type may cause damage to the unit, damage to the batteries or possible injury.
---	--

Your trimmer requires a 12V charger (791-182534) and charging station (791-180295). The charging instructions refer only to these parts.

1. Unplug the charger from the wall outlet and remove the unit from the charging station.
2. Remove the screw from the clamp holding the barrel connector in place using a standard or T-20 Torx bit screwdriver (Fig. 19).
3. Remove the barrel connector from the slot and replace the charger, if needed.
4. Insert the narrow side of the barrel connector wire into the groove in the slot of the charging station. Ensure that the barrel connector is inserted correctly and secure (Fig. 19).
5. Reinstall the clamp and screw.
6. Plug the charger into the wall outlet. Refer to *Charging the Unit* for charging instructions.

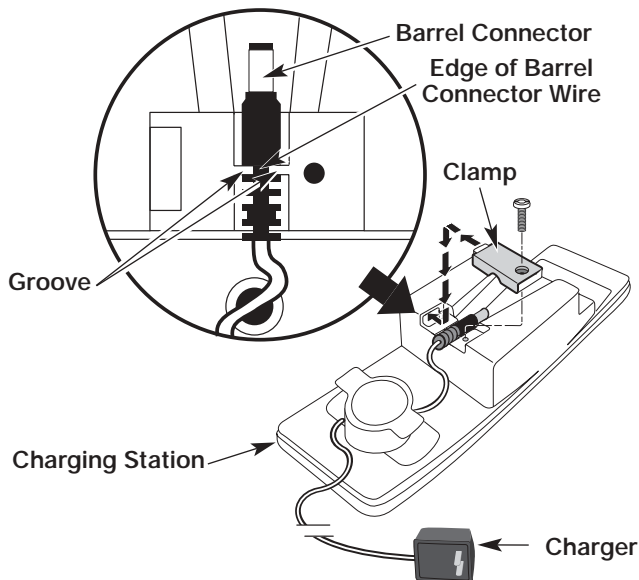




Fig. 19

CLEANING

	WARNING: To prevent serious personal injury, remove or disconnect the battery before servicing, cleaning or removing material from the unit.
---	---

	WARNING: Battery tools do not have to be plugged into an electrical outlet; therefore, they are always in operating condition. To prevent serious personal injury, take extra precaution and care when cleaning the unit.
---	--

Switch off the unit and disconnect it from the power source. Use a small brush to clean off the outside of the unit. Do not use strong detergents. Household cleaners that contain aromatic oils such as pine and lemon, and solvents such as kerosene, can damage plastic housing or handle. Wipe off any moisture with a soft cloth. Also keep the air vents free of obstructions.

STORAGE

- Allow the unit to cool before storing.
- Lock the unit to prevent unauthorized use or damage.
- Store the unit in a dry, well-ventilated area.
- Store the unit out of the reach of children.

ACCESSORIES AND REPLACEMENT PARTS

Cutting Attachment Shield	180293
Replacement Line	610375
Replacement Line Cartridge	180292
Inner Reel Spring	180374
Bump Head Cover	180376
Charger	182534
Charging Station	180295
12 Volt Battery Pack	791-182391B

TROUBLESHOOTING

MOTOR OPERATES SLOWLY OR WILL NOT OPERATE

CAUSE

Battery is not charged
Overload protection switch has popped

ACTION

Charge the battery
Reset overload protection switch

BATTERY WILL NOT CHARGE

CAUSE

No power to charger or battery
Battery has failed

ACTION

Check charger and charging station
Replace the battery

CUTTING ATTACHMENT WILL NOT ADVANCE LINE

CAUSE

Cutting attachment bound with grass
Cutting attachment out of line
Inner reel bound up
Cutting attachment dirty
Line welded

Line twisted when refilled
Not enough line is exposed

ACTION

Stop the unit and clean cutting attachment
Refill with new line
Replace the inner reel
Clean inner reel and outer spool
Disassemble, remove the welded section and rewind the line
Disassemble and rewind the line
Push the Bump Knob and pull out line until 4 inches (102 mm.) of line is outside of the cutting attachment

SPECIFICATIONS

BATTERY AND MOTOR

Motor	12 Volt DC, 15 Amps
Battery	Sealed Lead-Acid, 12 Volt
Motor Wire Housing Tube	Aluminum Tube
Unit Weight (With battery, cutting attachment shield and D-handle)	10.2 lbs. (4.63 kg.)
Cutting Mechanism	Bump Head
Line Spool Diameter	3 in (76.2 mm)
Trimming Line Diameter	0.080 in (2.03 mm.)
Cutting Path Diameter	10 in. (254 mm)

MANUFACTURER'S LIMITED WARRANTY FOR:



The limited warranty set forth below is given by Troy-Bilt LLC with respect to new merchandise purchased and used in the United States, its possessions and territories.

Troy-Bilt LLC warrants this product against defects in material and workmanship for a period of two (2) years commencing on the date of original purchase and will, at its option, repair or replace, free of charge, any part found to be defective in material or workmanship. This limited warranty shall only apply if this product has been operated and maintained in accordance with the Operator's Manual furnished with the product, and has not been subject to misuse, abuse, commercial use, neglect, accident, improper maintenance, alteration, vandalism, theft, fire, water or damage because of other peril or natural disaster. Damage resulting from the installation or use of any accessory or attachment not approved by Troy-Bilt LLC for use with the product(s) covered by this manual will void your warranty as to any resulting damage. This warranty is limited to ninety (90) days from the date of original retail purchase for any Troy-Bilt product that is used for rental or commercial purposes, or any other income-producing purpose.

HOW TO OBTAIN SERVICE: Warranty service is available, WITH PROOF OF PURCHASE THROUGH YOUR LOCAL AUTHORIZED SERVICE DEALER. To locate the dealer in your area, visit our website at www.troybilt.com, check for a listing in the Yellow Pages, call **1-800-520-5520** or write to P.O. Box 361131, Cleveland, OH 44136-0019.

This limited warranty does not provide coverage in the following cases:

- A. Tune-ups - Spark Plugs, Carburetor Adjustments, Filters
- B. Wear items - Bump Knobs, Outer Spools, Cutting Line, Inner Reels, Starter Pulley, Starter Ropes, Drive Belts
- C. Troy-Bilt LLC does not extend any warranty for products sold or exported outside of the United States of America, its possessions and territories, except those sold through Troy-Bilt's authorized channels of export distribution.

Troy-Bilt LLC reserves the right to change or improve the design of any Troy-Bilt Product without assuming any obligation to modify any product previously manufactured.

No implied warranty, including any implied warranty of merchantability or fitness for a particular purpose, applies after the applicable period of express written warranty above as to the parts as identified. No other express warranty or guaranty, whether written or oral, except as mentioned above, given by any person or entity, including a dealer or retailer, with respect to any product shall bind Troy-Bilt LLC During the period of the Warranty, the exclusive remedy is repair or replacement of the product as set forth above. (Some states do not allow limitations on how long an implied warranty lasts, so the above limitation may not apply to you.)

The provisions as set forth in this Warranty provide the sole and exclusive remedy arising from the sales. Troy-Bilt LLC shall not be liable for incidental or consequential loss or damages including, without limitation, expenses incurred for substitute or replacement lawn care services, for transportation or for related expenses, or for rental expenses to temporarily replace a warranted product. (Some states do not allow limitations on how long an implied warranty lasts, so the above limitation may not apply to you.)

In no event shall recovery of any kind be greater than the amount of the purchase price of the product sold. Alteration of the safety features of the product shall void this Warranty. You assume the risk and liability for loss, damage, or injury to you and your property and/or to others and their property arising out of the use or misuse or inability to use the product.

This limited warranty shall not extend to anyone other than the original purchaser, original lessee or the person for whom it was purchased as a gift.

How State Law Relates to this Warranty: This warranty gives you specific legal rights, and you may also have other rights which vary from state to state.

To locate your nearest service dealer dial **1-800-520-5520**.

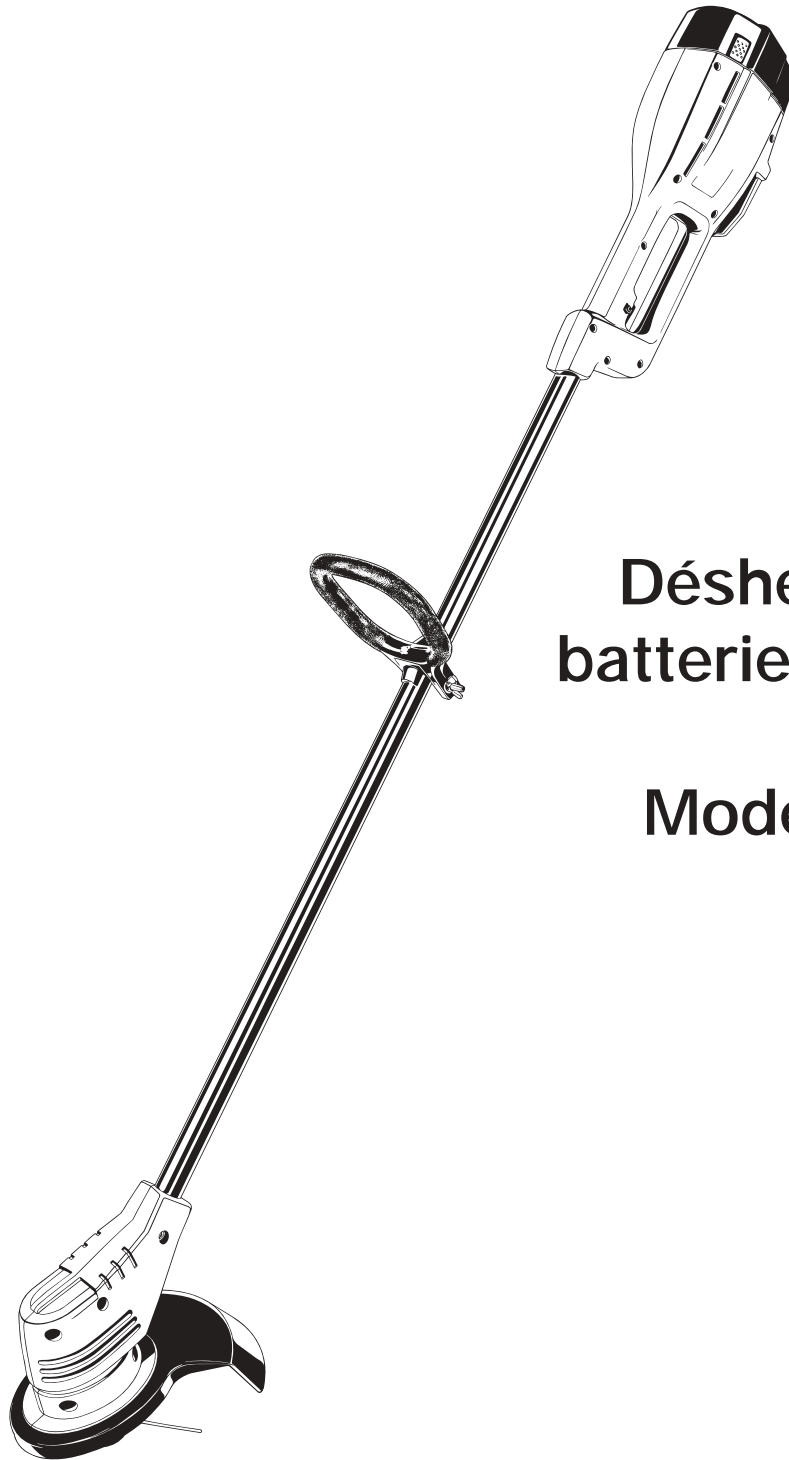
Troy-Bilt LLC

P.O. Box 361131

Cleveland, OH 44136-0019



Manuel de L'utilisateur



Désherbeuse à
batterie de 12 volts

Model TB55B



IMPORTANT : LISEZ LES RÈGLES ET CONSIGNES DE SÉCURITÉ SOIGNEUSEMENT

P/N 769-01380 (12/04)
IMPRIME AUX ÉTATS-UNIS

INTRODUCTION

TOUS NOS REMERCIEMENTS

Nous vous remercions d'avoir acheté ce produit de qualité. Cet outil mécanique de plein air moderne est conçu pour vous rendre service pendant longtemps. Il vous sauvera beaucoup de temps comme vous pourrez vous en rendre compte. Ce manuel de l'utilisateur comporte un mode d'emploi facile à comprendre. Prenez soin de lire le manuel au complet et suivez toutes ses instructions à la lettre afin de conserver votre nouvel outil mécanique de plein air en excellent état de fonctionnement.

RÉFÉRENCES, ILLUSTRATIONS ET SPÉCIFICATIONS RELATIVES AU PRODUIT

Toutes les informations, illustrations et spécifications contenues dans ce manuel tiennent compte des dernières informations techniques disponibles au moment de mettre sous presse. Nous nous réservons le droit d'y apporter des modifications à tout moment, sans préavis.

Copyright© 2004 MTD SOUTHWEST INC., Tous droits réservés.

INFORMATIONS D'ENTRETIEN

Tout entretien effectué sur cet appareil pendant et après la période de garantie doit être fait par un concessionnaire agréé uniquement. Obtenez la liste des concessionnaires agréés appelez le **1-800-520-5520**. Pour de plus amples informations à propos de votre appareil, visitez www.troybilt.com.

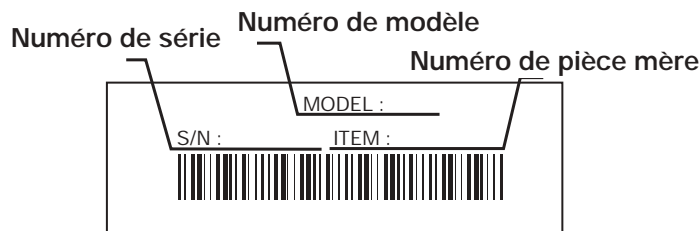
NE RETOURNEZ PAS L'APPAREIL AU DÉTAILLANT CHEZ QUI VOUS L'AVEZ ACHETÉ. TOUT SERVICE SOUS GARANTIE NÉCESSITE UNE PREUVE D'ACHAT.

Avant d'assembler votre nouvel équipement, repérez la plaque signalétique de l'appareil et copiez ses informations dans l'espace ci-dessous. Ces informations sont essentielles si vous désirez obtenir de l'aide auprès de notre service technique ou d'un distributeur agréé. Un exemple de plaque signalétique est présenté ci-dessous.

TABLE DES MATIÈRES

Service technique	2
Consignes de sécurité	3
Familiarisez-vous avec votre appareil	6
Instructions de montage	7
Mode d'emploi	8
Entretien et réparations	11
Caractéristiques	15
Tableau de dépannage	15
Garantie	16
Liste des pièces . . . Intérieure de la Couverture Arrière	

Si vous éprouvez des difficultés à assembler ce produit ou si vous avez des questions concernant les commandes, le fonctionnement ou l'entretien de cet appareil, veuillez communiquer avec notre service technique.



Copiez le numéro de modèle / pièce mère ici : _____

Copiez le numéro de série ici : _____

Prenez soin de lire et de bien comprendre ce manuel avant de démarrer ou de faire fonctionner cet équipement.

CE PRODUIT EST COUVERT PAR UN OU PLUSIEURS BREVETS AMÉRICAINS, ET D'AUTRES SONT EN INSTANCE.

CONSIGNES DE SÉCURITÉ

Les symboles de sécurité attirent votre attention sur des dangers potentiels. Ces symboles et leurs détails explicatifs méritent que vous les lisiez et compreniez bien. Les avertissements de sécurité ne peuvent éviter les dangers de par eux-mêmes. Les consignes ou mises en garde qu'ils donnent ne remplacent pas des mesures préventives appropriées contre les accidents.

SYMBOLE SIGNIFICATION



DANGER: le non-respect d'un avertissement peut causer dommages matériels ou blessures graves pour tous. Respectez les consignes de sécurité afin de réduire les risques d'incendie, d'électrocution et de blessures.



AVERTISSEMENT: le non-respect d'un avertissement peut causer dommages matériels ou blessures graves pour tous. Respectez les consignes de sécurité afin de réduire les risques d'incendie, d'électrocution et de blessures.



MISE EN GARDE: le non-respect d'un avertissement peut causer dommages matériels ou blessures graves pour tous. Respectez toujours les consignes de sécurité afin de réduire les risques d'incendie, d'électrocution et de blessures.

SYMBOLE SIGNIFICATION



ALERTE DE SÉCURITÉ:

indique un danger, un avertissement ou une mise en garde. Soyez vigilant afin d'éviter toute blessure grave. Ce symbole peut être combiné à d'autres symboles ou pictogrammes.

REMARQUE: donne des informations ou des instructions vitales pour le fonctionnement ou l'entretien de l'équipement.

Lisez le(s) manuel(s) de l'utilisateur et suivez tous les avertissements et consignes de sécurité. Vous pourriez à défaut entraîner des blessures graves pour vous ou d'autres personnes.

SI VOUS AVEZ DES QUESTIONS, APPELEZ LE
1-800-520-5520

• IMPORTANTES CONSIGNES DE SÉCURITÉ •

LIRE TOUTES LES INSTRUCTIONS



AVERTISSEMENT:

Respectez toujours les consignes de sécurité durant l'utilisation des désherbeuses à batterie afin de réduire les risques d'incendie, d'électrocution et de blessures. Prenez soin de bien lire et comprendre tout le manuel de l'utilisateur avant d'utiliser la désherbeuse. Faites particulièrement attention au mode d'emploi et aux avertissements de sécurité.

AVANT UTILISATION

- Veuillez lire les instructions avec soin. Familiarisez-vous avec les commandes et l'utilisation correcte de cet appareil.
- N'utilisez pas l'appareil si vous êtes fatigué, malade ou sous l'effet de l'alcool, de drogues ou de médicaments.
- Les enfants et adolescents de moins de 15 ans ne doivent pas utiliser l'appareil exceptés les adolescents assistés d'un adulte.
- Inspectez l'appareil avant utilisation. Remplacez les pièces endommagées. Recherchez s'il y a des fuites de batterie. Assurez-vous que les fixations sont solidement en place. Remplacez les pièces de l'accessoire de coupe qui sont fendillées, ébréchées ou endommagées. Assurez-vous que l'accessoire de coupe est correctement installé et solidement fixé. Assurez-vous que le protecteur d'accessoire de coupe est correctement fixé et positionné comme recommandé. Vous risquez sinon de causer des blessures à l'opérateur et aux spectateurs, et d'endommager l'appareil.

- N'utilisez que du fil de remplacement d'origine de 2,03 mm (0,080 po) de diamètre. N'utilisez jamais de fil, de chaîne ou de cordon à renfort métallique car ils peuvent se briser et se transformer en projectile dangereux.
- Soyez conscient des risques de blessure à la tête, aux mains et aux pieds.
- Dégagez la zone de coupe avant chaque usage. Enlevez tous les objets pouvant être projetés ou happés par l'accessoire de coupe : cailloux, verre brisé, clous, fil ou ficelle. Éloignez enfants, spectateurs et animaux de la zone de coupe. Tenez-les à au moins 15 m (50 pi) de là mais sachez que les spectateurs risquent quand même d'être atteints par des objets projetés. Les spectateurs doivent porter des protections oculaires. Arrêtez immédiatement le moteur et l'accessoire de coupe si quelqu'un s'approche de vous.
- Cet appareil n'est pas conçu pour servir de débroussailluse. N'utilisez cet appareil avec aucun type de lame ou d'accessoire de débroussaillage.

AVERTISSEMENTS DE SÉCURITÉ POUR LES DÉSHERBEUSES À BATTERIE

- Il n'est pas nécessaire de brancher dans une prise les outils à batterie, ils peuvent donc fonctionner à tout moment. Pensez aux dangers potentiels même si l'outil ne fonctionne pas. Faites attention lorsque vous effectuez l'entretien ou la maintenance.
- Enlevez ou déconnectez la batterie avant tout entretien, nettoyage ou retrait de pièces de l'appareil.
- Utilisez uniquement la station de charge fournie avec l'appareil. Si vous y substituez un autre, vous risquez de faire exploser les batteries et causer des blessures graves.

CONSIGNES DE SÉCURITÉ

- Ne chargez pas l'appareil sous la pluie ou dans un lieu humide.

AVERTISSEMENTS DE SÉCURITÉ CONCERNANT LES SUPPORTS DE CHARGE ET LES BATTERIES RECHARGEABLES AU PLOMB

- Lisez toutes les instructions et précautions du manuel concernant l'appareil et son support de charge avant d'utiliser ce dernier.
- N'exposez pas le chargeur à la pluie ou à la neige.
- Afin de réduire les risques de blessures, ne chargez que les batteries hermétiques rechargeables au plomb. Les autres types de batteries peuvent exploser et causer des blessures et des dommages.
- Pour réduire le risque de choc électrique, cet appareil est pourvu d'une fiche polarisée (une lame est plus large que l'autre). Cet appareil ne être inséré dans une prise polarisée que d'une seule manière. S'il n'est pas possible d'insérer entièrement la fiche dans la prise, essayez de brancher la fiche dans l'autre sens. Si malgré tout, il n'est pas possible d'insérer la fiche, remplacez le cordon par un cordon qui comporte les bonnes fiches. Ne modifiez cet appareil en aucun cas.
- Pour éviter d'endommager le corps du chargeur et son cordon, tirez sur le premier au moment de débrancher le chargeur.
- Placez le cordon du chargeur de façon qu'il ne soit pas piétiné, accroché ou endommagé d'une manière quelconque.
- N'utilisez pas le chargeur si le cordon ou la prise est endommagée, sinon remplacez-les immédiatement.
- N'utilisez pas le chargeur s'il a reçu un coup dur, est tombé ou a été endommagé. Si le boîtier du chargeur est endommagé, remplacez le chargeur.
- Ne démontez pas le chargeur car il n'est pas conçu pour cela et vous risquez de provoquer l'électrocution ou un incendie.
- Pour diminuer les risques d'électrocution, débranchez le chargeur de la prise avant tout entretien ou nettoyage.
- N'utilisez pas le chargeur en plein air.
- Utilisez uniquement une batterie de type et de format suivants : batterie hermétique rechargeable de 12 volts c.c.
- Ne jetez pas la batterie dans le feu car ses éléments pourraient exploser. Recyclez la batterie. Consultez à ce sujet vos responsables locaux en matière de recyclage et de mise au rebut.
- Ne chargez pas la batterie sous la pluie ou dans un lieu humide.
- Manipulez la batterie avec soin afin de ne pas provoquer de court-circuit avec des objets conducteurs tel que des anneaux, des bracelets ou des clés. La batterie ou l'objet conducteur pourrait en effet surchauffer et causer des brûlures.

- Chargez la batterie dans un endroit où la température se situe entre 10°C (50°F) et 38°C (100°F).
- Évitez d'ouvrir ou d'endommager la batterie. Une fois relâché, l'électrolyte, qui est corrosif, peut endommager les yeux ou la peau. Il peut aussi être toxique s'il est avalé.

PENDANT L'UTILISATION

- Pour éviter tout démarrage accidentel, ne transportez jamais l'appareil le doigt sur la détente.
- Portez des lunettes de sécurité conformes aux normes ANSI Z87.1-1989 ainsi que des protège-oreilles durant l'utilisation. En cas de poussière, portez un masque facial ou antipoussières. Les chemises à manches longues sont conseillées.
- Restez en alerte. Faites attention à ce que vous faites. Faites preuve de bon sens.
- Portez des pantalons épais et longs, des bottes et des gants. Ne marchez pas pieds nus et évitez les pantalons courts et les sandales.
- Habillez-vous correctement. Ne portez pas de vêtements lâches ni de bijoux pour éviter qu'ils ne soient happés par des pièces mobiles. Relevez les cheveux au-dessus des épaules.
- Ajustez la poignée en D selon votre taille pour mieux l'agripper.
- N'utilisez l'appareil qu'en plein jour ou avec un bon éclairage artificiel.
- Utilisez les outils appropriés. N'employez cet outil que pour son usage prévu.
- Ne vous étirez pas. Tenez-vous toujours en équilibre.
- Ne forcez pas l'appareil. Il fonctionnera mieux et posera moins de risques de blessures à la vitesse pour laquelle il a été conçu.
- Tenez toujours l'appareil des deux mains lorsqu'il est en marche. Agrippez fermement la poignée du boîtier de batterie et la poignée en D.
- N'utilisez que des pièces de équipement original rechange et accessoires d'origine pour cet appareil. Elles sont disponibles auprès de votre concessionnaire agréé. L'utilisation de pièces ou accessoires autres que ceux de équipement original peut causer des blessures graves, endommager l'appareil et annuler sa garantie.
- La désherbeuse est conçue pour couper l'herbe et les mauvaises herbes légères, et pour la taille décorative. Ne l'utilisez pas comme coupe-bordure.
- Avant de démarrer l'appareil, assurez-vous que l'accessoire de coupe ne touche aucun objet.
- Si vous heurtez ou happez un corps étranger, arrêtez l'appareil immédiatement et vérifiez qu'il n'est pas endommagé. Réparez les dommages avant de continuer. N'utilisez pas l'appareil avec des pièces desserrées ou endommagées.

CONSIGNES DE SÉCURITÉ

- Relâchez la manette, mettez le bouton de verrouillage et laissez le moteur s'arrêter en cas d'entretien ou de réparation.
- Gardez les mains, le visage et les pieds éloignés des pièces mobiles. Ne touchez pas ni essayez d'arrêter l'accessoire de coupe en rotation.
- Arrêtez toujours le moteur lors d'une interruption ou si vous vous déplacez d'un lieu de coupe à l'autre.
- Le protecteur d'accessoire de coupe doit toujours être mis lors de l'utilisation de l'appareil. N'utilisez pas l'appareil sans que le fil, de type approprié, soit bien déployé. Assurez-vous que le fil ne dépasse pas le protecteur de sécurité.
- Gardez l'appareil exempt d'accumulation de végétation ou autres matières. Celles-ci peuvent rester logées entre l'accessoire de coupe et le protecteur.

AUTRES AVERTISSEMENTS DE SÉCURITÉ

- Laissez le moteur se refroidir avant de l'entreposer ou de le transporter. Attachez bien l'appareil pendant le transport.
- Rangez l'appareil dans un endroit verrouillé et sec, ou élevé et sec, hors de portée des enfants, pour éviter une utilisation indésirable ou un accident.
- Ne trempez et n'arrosez jamais l'appareil avec de l'eau ou tout autre liquide. Gardez les poignées sèches, propres et exemptes de débris. Nettoyez après chaque usage. Voir les sections *Nettoyage et Entreposage*.
- Conservez ces instructions. Consultez-les souvent et servez-vous en pour instruire d'autres usagers. Si vous prêtez l'appareil à quelqu'un, prêtez-lui également ces instructions.

CONSERVEZ CES INSTRUCTIONS

SYMBOLES DE SÉCURITÉ ET INTERNATIONAUX

Ce manuel de l'utilisateur décrit les symboles et pictogrammes de sécurité et internationaux pouvant apparaître sur ce produit. Consultez le manuel de l'utilisateur pour les informations concernant la sécurité, le montage, le fonctionnement, l'entretien et les réparations.

SYMBOLE

SIGNIFICATION



- **SYMBOLE ALERTE DE SÉCURITÉ**

Indique un danger, un avertissement ou une mise en garde. Ce symbole peut être combiné à d'autres symboles ou pictogrammes.



- **AVERTISSEMENT - LISEZ LE MANUEL DE L'UTILISATEUR**

Lisez le manuel de l'utilisateur et suivez tous les avertissements et consignes de sécurité. Vous pourriez à défaut entraîner des blessures graves pour vous ou d'autres personnes.



- **PORTEZ DES PROTECTIONS (YEUX ET OREILLES)**

AVERTISSEMENT: les objets projetés et les bruits forts peuvent endommager la vue et l'ouïe. Portez une visière de norme ANSI Z87.1-1989 et des protège-oreilles pendant l'utilisation.

SYMBOLE

SIGNIFICATION



- **LES OBJETS PROJETÉS ET LA TÊTE ROTATIVE PEUVENT CAUSER DES BLESSURES GRAVES**

AVERTISSEMENT: ne faites pas fonctionner sans protecteur de sécurité en plastique. Tenez-vous à l'écart de l'accessoire de coupe rotatif.



- **LAME AIGUISÉE**

AVERTISSEMENT: le protecteur d'accessoire de coupe comporte une lame aiguisée. Ne touchez pas la lame pour éviter des blessures graves.



- **ÉLOIGNEZ LES SPECTATEURS**

AVERTISSEMENT: éloignez tout spectateur, les enfants et les animaux domestiques en particulier, d'au moins 15 m (50 pi) de la zone de coupe.

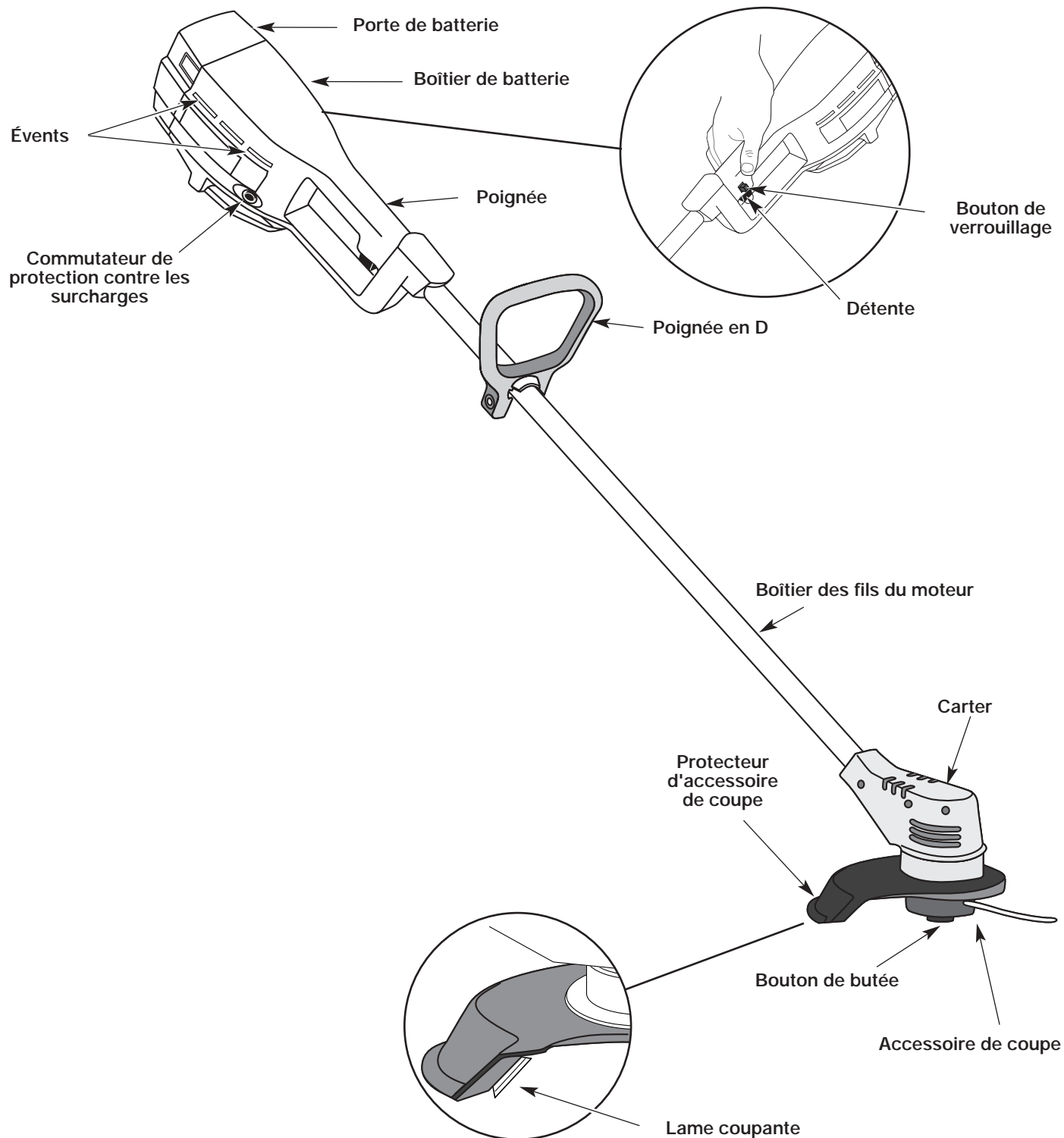
CONSIGNES DE SÉCURITÉ

FAMILIARISEZ-VOUS AVEC VOTRE APPAREIL

APPLICATIONS

Comme désherbeuse :

- Coupe d'herbe et de mauvaises herbes légères
- Taille autour des arbres, des clôtures, etc.



INSTRUCTIONS DE MONTAGE

RÉGLAGE DE LA POIGNÉE EN D

REMARQUE : La poignée en D est déjà en position à l'arrière de l'arbre et n'a normalement pas besoin d'être déplacée.

1. Repérez l'écrou papillon sur la poignée en D. Dévissez l'écrou papillon suffisamment pour desserrer la poignée en D (Fig. 1).

REMARQUE : il n'est pas nécessaire d'enlever l'écrou papillon, la rondelle ou le boulon.

2. Tournez la poignée en D à la verticale, sur le devant du corps de l'arbre (Fig. 1).

REMARQUE : la poignée en D doit être inclinée vers la tête d'entraînement de l'appareil.

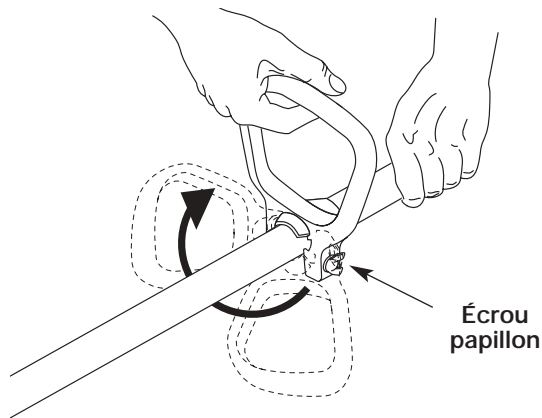


Fig. 1

3. Tenez l'appareil en position de fonctionnement. Repositionnez au besoin la poignée en D de manière à assurer la meilleure prise possible (Fig.2).



Fig. 2

4. Serrez l'écrou papillon jusqu'à bien fixer la poignée en D.

MONTAGE DE LA STATION DE CHARGE

NOTA : Montez la station de charge et chargez l'appareil pendant 36 heures au moins avant sa première utilisation.

Comme l'appareil peut rester sur sa station de charge sans danger, vous pouvez placer la station là où l'appareil sera rangé. L'endroit doit être frais, sec et bien aéré, et l'appareil doit y être verrouillé hors de portée des enfants.

Rangez et chargez l'appareil dans un endroit où la température se situe entre 10°C (50°F) et 38°C (100°F).

1. Placez la station de charge près d'une prise murale, assez haut pour qu'elle ne soit pas sur le sol.
2. Repérez le poteau du mur et montez la station au mur à l'aide des trois vis fournies (Fig. 3). Assurez-vous que les vis pénètrent dans le poteau pour bien tenir.

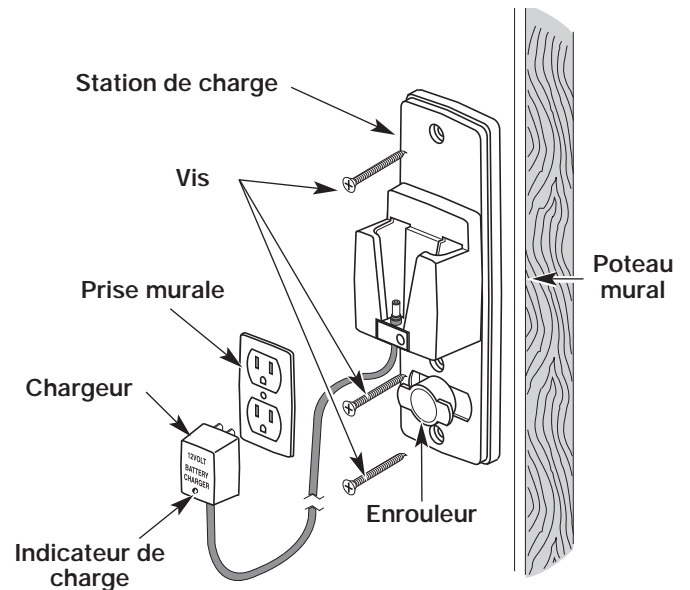


Fig. 3



MISE EN GARDE: Fixez bien la station au mur pour éviter tout risque de blessures ou de dommages à l'appareil.

3. Branchez le chargeur dans la prise murale et enroulez tout excédent de fil autour de l'enrouleur de la station de charge (Fig. 3).

MODE D'EMPLOI

CHARGE DE L'APPAREIL

Veillez à ce que la station de charge soit bien fixée au mur et que le chargeur soit branché dans une bonne prise.

NOTA : Chargez l'appareil pendant 36 heures au moins avant sa première utilisation.

1. Glissez l'appareil dans la station de charge jusqu'à ce qu'il soit bien assis (Fig. 4). Le connecteur rond de la station de charge s'insère alors dans l'appareil. Voir *Remplacement du chargeur*.

NOTA : La batterie chauffe pendant la charge. Assurez-vous que les événements du boîtier de la batterie sont toujours dégagés (Fig. 4).

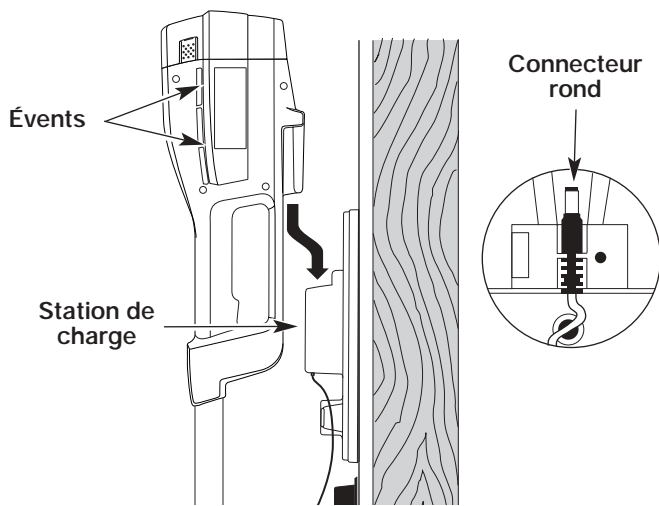


Fig. 4

2. Lorsque l'indicateur rouge du chargeur s'allume, la batterie est en train de se charger (Fig. 5). S'il ne s'allume pas, vérifiez les points suivants :
 - a. Chargeur branché dans une bonne prise murale.
 - b. Appareil bien assis dans la station de charge et connecteur rond bien inséré dans l'appareil.
 - c. Connecteur rond bien installé dans la station de charge. Voir *Remplacement du chargeur*.
 - d. Prise murale sous tension.

NOTA : Si la prise murale fonctionne par interrupteur, mettez-le sous tension.

	AVERTISSEMENT: Pour éviter des blessures graves, faites vérifier la prise par un électricien qualifié si elle ne fonctionne pas correctement.
---	--

3. Chargez la batterie jusqu'à ce que l'indicateur rouge du chargeur se mette au vert (Fig. 5).

NOTA : La durée de fonctionnement de l'appareil et la durée de vie de la batterie seront raccourcies si l'appareil n'est pas complètement chargé entre les utilisations.

4. Remplacez l'appareil sur la station après chaque utilisation. L'appareil est conçu de manière à ce que la batterie ne puisse être surchargée.

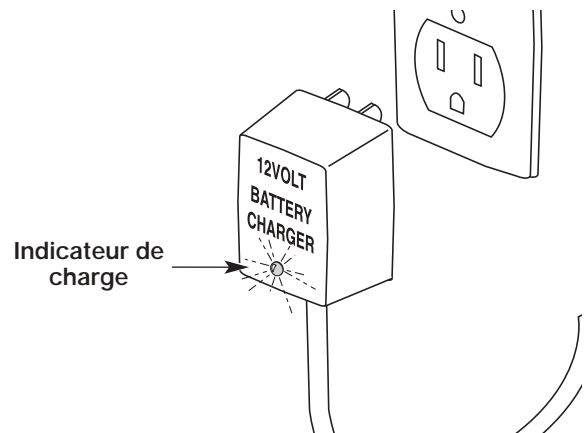


Fig. 5

Charge : conseils pour des performances maximales

- Rangez et chargez l'appareil dans un endroit où les températures se situent entre 10°C (50°F) et 38°C (100°F). Un stockage de l'appareil ou de la batterie à des températures supérieures à 38°C (100°F) réduira la vie de la batterie.
- Un stockage à moins de 10°C (50°F) ne la réduira pas mais rallongera le temps de charge.
- Rangez l'appareil sur la station après utilisation. Il est conçu de façon à ce que la batterie ne puisse être surchargée.

NOTA : L'indicateur de charge reste allumé lorsque l'appareil est bien installé sur la station.

Effets de la température sur les temps de charge

- De 10°C (50°F) à 38°C (100°F) – Batterie chargée en moins de 24 heures.
- De 4°C (40°F) à 10°C (50°F) – La charge peut nécessiter jusqu'à 48 heures.
- Moins de 4°C (40°F) – La batterie ne sera pas chargée complètement.

NOTA : Le temps de fonctionnement sera réduit si la batterie n'est pas complètement chargée.

MODE D'EMPLOI

POUR DÉMARRER L'APPAREIL



AVERTISSEMENT: Pour éviter des blessures graves, vérifiez que le bouton de verrouillage s'enclenche chaque fois que la détente est relâchée.

1. Appuyez sur le bouton de verrouillage et maintenez-le enfoncé (Fig. 6). Cela permet d'utiliser la détente.

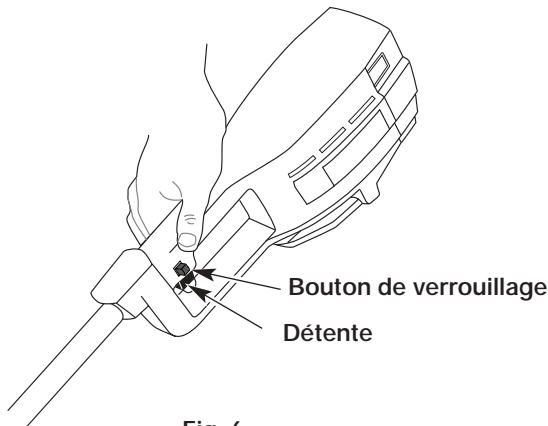


Fig. 6

2. Appuyez sur la détente et gardez-la enfoncée.
3. Relâchez le bouton de verrouillage.

POUR ARRÊTER L'APPAREIL

Pour arrêter la désherbeuse, relâchez la détente.

COMMUTATEUR DE PROTECTION CONTRE LES SURCHARGES

Cet appareil est équipé d'un commutateur de protection contre les surcharges pour éviter d'endommager le moteur en cas de surchauffe.

Si le commutateur se déclenche

1. Relâchez la détente et laissez l'appareil refroidir pendant une minute.
2. Appuyez sur le commutateur de surcharge pour le réarmer et reprenez le travail (Fig. 7).

Si le commutateur se déclenche de nouveau juste après la première fois

1. Laissez l'appareil refroidir pendant 15 à 30 minutes.
2. Après cela, appuyez sur le commutateur de surcharge pour le réarmer et reprenez le travail.

Si le commutateur ne reste pas en place et continue de sauter, faites réparer l'appareil par un concessionnaire agréé.

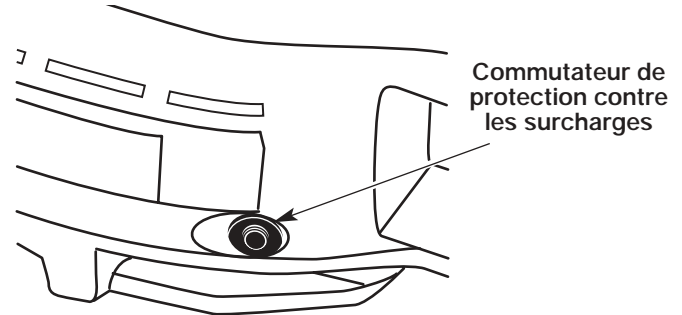


Fig. 7

TENUE DE L'APPAREIL



AVERTISSEMENT: Portez des vêtements appropriés pour diminuer les risques de blessures durant l'utilisation de l'appareil. Ne portez pas de vêtements amples ni de bijoux. Portez des lunettes de sécurité et des protège-oreilles. Portez des pantalons épais et longs, des bottes et des gants. Ne marchez pas pieds nus et évitez les pantalons courts et les sandales.

Avant de faire marcher l'appareil, tenez-vous en position de fonctionnement et vérifiez les points suivants :

- L'opérateur porte une visière et des vêtements appropriés.
- Le bras droit est légèrement plié et la main tient l'arbre par la poignée du boîtier.
- Le bras gauche est droit et la main tient la poignée en D.
- L'appareil est à hauteur de ceinture.
- La tête Bump Head de la désherbeuse est parallèle au sol et touche facilement la végétation sans que l'opérateur ne doive se pencher (Fig. 8).



Fig. 8



AVERTISSEMENT: Pour éviter des blessures graves, ne transportez pas l'appareil le doigt sur la détente.^C.

MODE D'EMPLOI

UTILISATION DE LA DÉSHERBEUSE



AVERTISSEMENT: Afin d'éviter des blessures graves, portez des lunettes de sécurité en tout temps pendant l'utilisation de l'appareil. Portez un masque facial ou antipoussières dans les lieux poussiéreux.

Dégagez la zone de coupe avant chaque usage. Enlevez tous les objets pouvant être projetés ou happés par l'accessoire de coupe : cailloux, verre brisé, clous, fil ou ficelle. Éloignez enfants, spectateurs et animaux de la zone. Tenez-les à au moins 15 mètres (50 pieds) de là mais sachez que les spectateurs risquent quand même d'être atteints par des objets projetés. Conseillez-leur de porter des protecteurs oculaires. Arrêtez immédiatement le moteur et l'accessoire de coupe si quelqu'un s'approche de vous.

NOTE : Retirez le ruban protecteur de la lame de raccourcissement du fil avant d'utiliser la désherbeuse.

RÉGLAGE DE LA LONGUEUR DU FIL

La tête de butée Bump Head vous permet de donner du fil sans arrêter le moteur. Lorsque le fil devient effiloché ou usé, vous pouvez le faire avancer en cognant légèrement la tête au sol (Fig. 9) pendant que la désherbeuse est en marche.

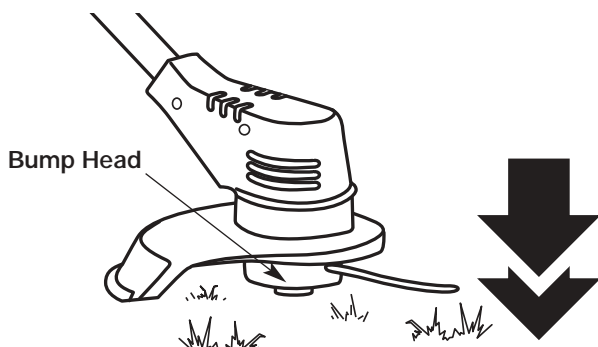


Fig. 9

NOTE : Gardez toujours le fil bien déroulé. Il devient plus difficile de donner du fil à mesure que le fil de coupe devient plus court.



MISE EN GARDE: n'enlevez pas ni n'altérez l'ensemble de la lame coupante. Un excès de fil surchauffera l'désherbeuse. Ceci pourrait causer des blessures graves ou endommager l'appareil.

Chaque fois que vous donnez un coup sur la tête, vous déroulez environ 25,4 mm (1 po) de fil. La lame du protecteur de sécurité raccourcit le fil si vous le déroulez trop.

Pour de meilleurs résultats, tapez la tête sur un sol dégagé ou sur un sol dur. Si vous donnez du fil dans un lieu d'herbe haute, vous risquez de surchauffer le moteur. Gardez toujours le fil bien déroulé. Il devient plus difficile de donner du fil à mesure que le fil de coupe se raccourci

COUPE DÉCORATIVE

La coupe décorative consiste à déblayer, à un angle de 30 degrés, la végétation autour des arbres, des bornes, des clôtures, etc. (Fig. 10).

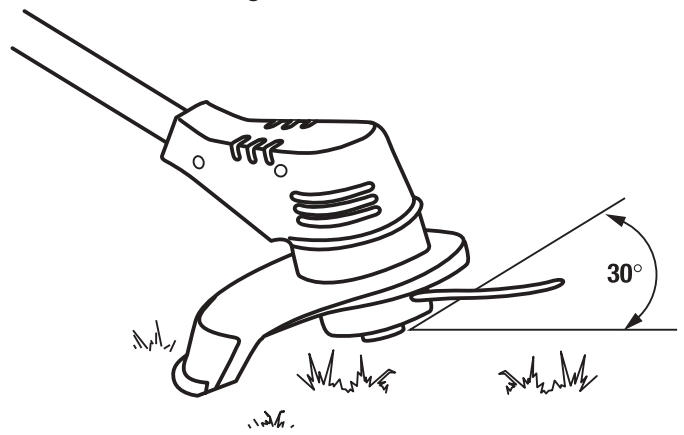


Fig. 10

CONSEILS POUR BIEN DÉSHERBER

- Le bon angle pour l'accessoire de coupe est parallèle au sol.

NOTE : Ne posez pas la Bump Head sur le sol.

- NE FORCEZ PAS L'APPAREIL. Coupez avec la pointe du fil (surtout le long des murs). Si vous utilisez plus que la pointe, vous réduisez l'efficacité de la coupe et risquez de surcharger le moteur.
- Coupez l'herbe mesurant plus de 200 mm (8 po) en procédant de haut en bas par petits incréments pour éviter d'user le fil prématurément ou de freiner le moteur.
- Coupez de droite à gauche si possible. Cela améliore l'efficacité de coupe de l'appareil. De plus, les morceaux sont projetés loin de l'opérateur.
- Déplacez lentement la désherbeuse dans et hors de la zone de coupe à la hauteur voulue. Procédez d'avant en arrière ou d'un bord vers l'autre. Les coupes de longueur plus courte donnent les meilleurs résultats.
- Ne désherbez que lorsque l'herbe et les mauvaises herbes sont sèches.
- La vie utile de votre fil dépend de l'utilisation des techniques précédentes, des matières coupées et du lieu de coupe. Par exemple, le fil s'use plus vite si vous coupez le long d'un mur de fondation que si vous coupez autour d'un arbre. Le fil peut se briser dans les cas suivants :
 - Happement de corps étrangers.
 - Usure normale du fil.
 - Coupe de mauvaises herbes épaisses à longues tiges.
 - Forcer le fil dans des objets comme des murs ou des poteaux de clôture.

ENTRETIEN ET RÉPARATIONS

La garantie de cet appareil ne couvre pas les pièces ayant souffert d'abus ou de négligence de la part de l'opérateur. Pour bénéficier pleinement de la garantie, l'opérateur doit faire l'entretien de l'appareil conformément au manuel de l'utilisateur.



AVERTISSEMENT: Il n'est pas nécessaire de brancher dans une prise les outils à batterie, ils peuvent donc fonctionner à tout moment. Pour éviter des blessures graves, faites très attention lorsque vous effectuez un entretien ou que vous changez l'accessoire de coupe ou autres.



AVERTISSEMENT: Pour éviter des blessures graves, enlevez ou déconnectez la batterie avant tout entretien, nettoyage, changement d'accessoires ou retrait de pièces de l'appareil.

ENTRETIEN D'APPAREILS À DOUBLE ISOLEMENT

Cet appareil possède un double isolement. Au lieu d'une mise à la terre, les appareils à double isolement comportent deux systèmes d'isolement. Comme il se doit, aucun moyen de mise à la terre n'est fourni sur ce type d'appareil.

L'entretien de ces appareils exige soins minutieux et compétence technique, et doit être effectué par un personnel qualifié uniquement. Les pièces de rechange doivent être identiques aux pièces remplacées. Confiez toute réparation à un concessionnaire agréé. Un appareil à double isolement porte l'indication « double insulation » ou « double insulated ».

INSTALLATION DU FIL

Utilisez toujours un fil de remplacement d'origine de 2,03 mm (0,080 po). Un autre fil pourrait surchauffer ou endommager le moteur.



AVERTISSEMENT: n'utilisez jamais de fil, de chaîne ou de cordon à renfort métallique car ils peuvent se briser et se transformer en projectile dangereux.

Vous pouvez remplacer le fil de deux façons

- Rembobiner du fil neuf dans le moulinet intérieur.
- Installer un moulinet intérieur prérembobiné.

Rembobiner le moulinet existant

1. Retirez le couvercle de la Bump Head en appuyant sur ses deux languettes visibles sur les deux côtés de la bobine extérieure (Fig. 11).

NOTE : Le ressort pousse le couvercle vers le haut lorsque les languettes sont désengagées.

2. Enlevez le moulinet intérieur et son ressort (Fig. 11).
3. Nettoyez la surface interne de la bobine extérieure à l'aide d'un tissu propre (Fig. 11).

NOTE : Nettoyez toujours le moulinet intérieur, la bobine extérieure et l'axe avant de remonter la Bump Head.

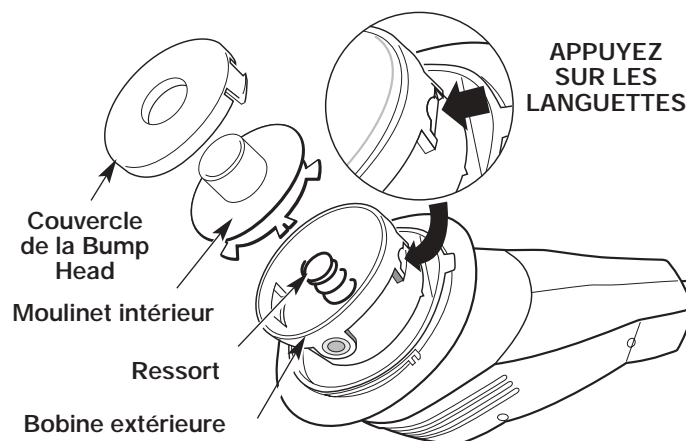


Fig. 11

4. Vérifiez l'état d'usure des dents de positionnement du moulinet et de la bobine (Fig. 12). Enlevez les ébarbures ou remplacez le moulinet et la bobine au besoin.

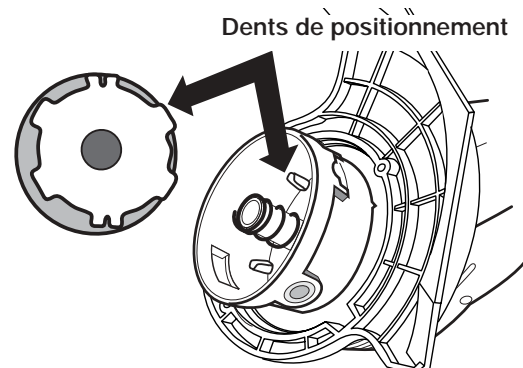


Fig. 12

5. Prenez environ 3,6 m (12 pi) de fil neuf et insérez-en une extrémité dans le trou du moulinet intérieur (Fig. 13).
6. Enroulez le fil en couches uniformes serrées sur le moulinet (Fig. 13). Enroulez le fil dans le sens indiqué sur le moulinet intérieur.

NOTE : Le fait de ne pas enrouler le fil dans le sens indiqué entraînera un mauvais fonctionnement de la Bump Head.

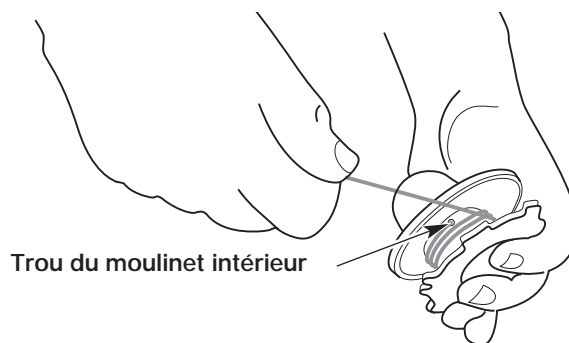


Fig. 13

ENTRETIEN ET RÉPARATIONS

7. Insérez l'extrémité du fil dans l'une des deux fentes de retenue de 2,03 mm (Fig. 14).

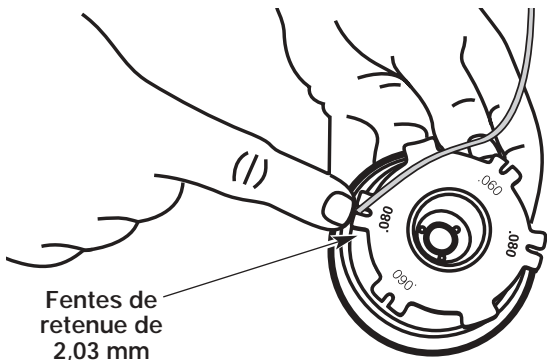


Fig. 14

8. Insérez l'extrémité du fil dans l'œillet de la bobine extérieure (Fig. 15).

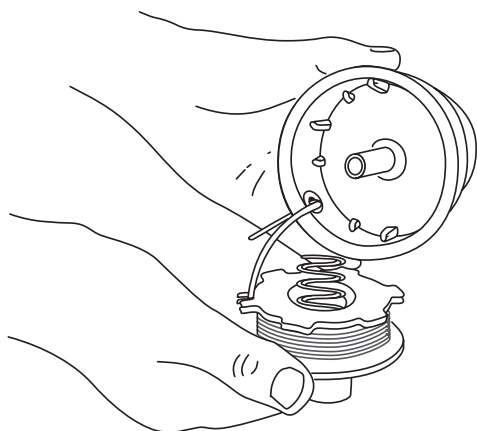


Fig. 15

9. Placez le moulinet intérieur et le ressort dans la bobine extérieure.

NOTE :Le ressort doit être installé dans le moulinet intérieur avant de remonter la Bump Head.

10. Tenez le moulinet intérieur en place, saisissez l'extrémité du fil et tirez fermement pour dégager le fil de la fente de retenue du moulinet intérieur (Fig. 16).

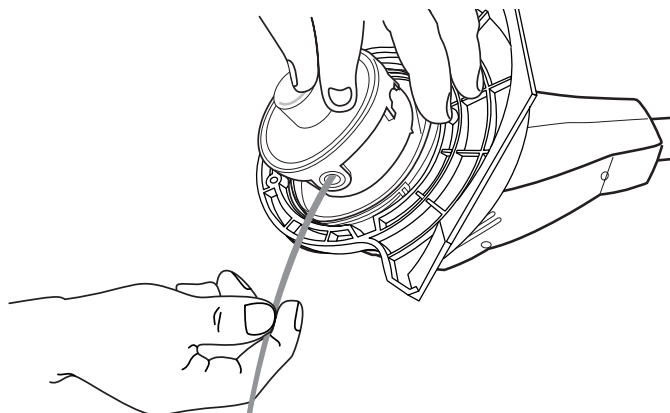


Fig. 16

11. Installez le couvercle de la Bump Head sur le moulinet intérieur. Alignez les languettes du couvercle avec les fentes de la bobine extérieure et appuyez uniformément sur le couvercle jusqu'à ce qu'il se mette en place.

NOTE :Assurez-vous que les languettes se mettent en place avec un déclic sinon le moulinet intérieur sortira en pleine utilisation.

INSTALLATION D'UN MOULINET PRÉREMBOBINÉ

Utilisez toujours du fil de remplacement d'origine. Un fil plus épais pourrait surchauffer le moteur ou le mettre en panne.

1. Retirez le couvercle de la Bump Head en appuyant sur ses deux languettes visibles sur les deux côtés de la bobine extérieure (Fig. 11).

NOTE :Le ressort pousse le couvercle vers le haut lorsque les languettes sont désengagées.

2. Retirez l'ancien moulinet intérieur et son ressort de la bobine extérieure (Fig. 11).
3. Retirez le ressort du moulinet (Fig. 11).
4. Nettoyez la surface interne de la bobine extérieure à l'aide d'un tissu propre.
5. Insérez l'extrémité du fil, sur le moulinet prérembobiné, dans l'œillet de la bobine extérieure (Fig. 15).
6. Placez le moulinet intérieur et le ressort dans la bobine extérieure.

NOTE :Le ressort doit être installé dans le moulinet intérieur avant de remonter la Bump Head.

7. Tenez le moulinet intérieur en place, saisissez l'extrémité du fil et tirez fermement pour dégager le fil de la fente de retenue du moulinet intérieur (Fig. 16).
8. Installez le couvercle de la Bump Head sur le moulinet intérieur. Alignez les languettes du couvercle avec les fentes de la bobine extérieure et appuyez uniformément sur le couvercle jusqu'à ce qu'il se mette en place.

NOTE :Assurez-vous que les languettes se mettent en place avec un déclic sinon le moulinet intérieur sortira en pleine utilisation.

ENTRETIEN ET RÉPARATIONS

REMPACEMENT DE LA BATTERIE



Veillez recycler et mettre au rebut de manière responsable afin de préserver les ressources naturelles. CE PRODUIT CONTIENT UNE BATTERIE HERMÉTIQUE RECHARGEABLE AU PLOMB ET DOIT ÊTRE MIS AU REBUT DE MANIÈRE RESPONSABLE. Il se peut que les lois municipales, provinciales ou fédérales interdisent de jeter les batteries hermétiques rechargeables au plomb avec les ordures. Consultez vos responsables locaux en matière de recyclage et de mise au rebut.

Retrait de la batterie

1. Enfoncez les deux verrous latéraux de la porte du boîtier de la batterie et ouvrez la porte vers le bas. Décrochez la porte de la fente au bas du boîtier en soulevant vers le haut et vers vous. Mettez la porte de côté (Fig. 17).

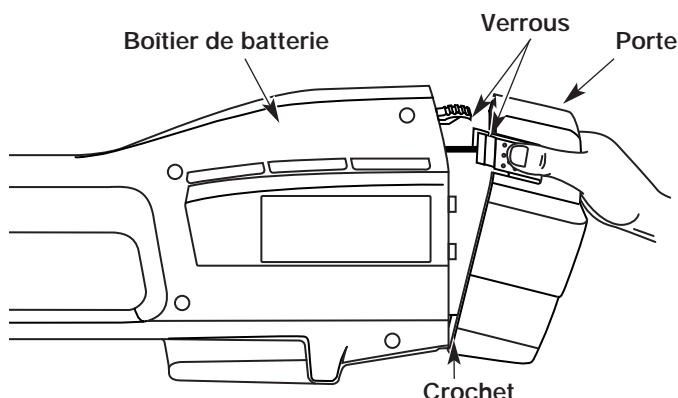


Fig. 17

2. Appuyez sur le verrou de retenue de la batterie tout en tirant celle-ci (Fig. 18).

REMARQUE : Si la batterie est retirée, vous remarquerez des taches de graisse sur les contacts des bornes. Ceci est tout à fait normal.

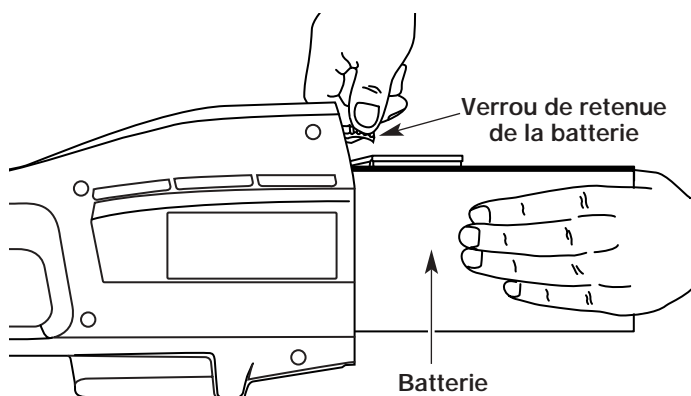


Fig. 18



MISE EN GARDE: Si le bloc-batterie présente des signes de fuites, n'y touchez pas. Évitez d'ouvrir ou d'endommager la batterie. Une fois relâché, l'électrolyte, qui est corrosif, peut endommager les yeux ou la peau. Pour éviter des blessures, portez l'appareil à un centre de service autorisé pour réparation.

Installation de la batterie

1. Glissez la batterie dans son boîtier jusqu'à ce que son verrou de retenue soit enclenché (Fig. 18).
2. Remplacez la porte en l'accrochant par-dessus la fente au bas du boîtier de la batterie. Fermez la porte du boîtier jusqu'à ce que les deux verrous s'enclenchent d'un déclic.

Pour assurer un rendement optimal Lors de la réinstallation de la batterie :

- Vérifiez si les bornes de la batterie sont corrodées et nettoyez-les au besoin à l'aide d'un tampon à récurer sec, puis essuyez-les avec un chiffon sec. N'utilisez jamais de liquides pour nettoyer les bornes.
- Vérifiez si le boîtier de la batterie est endommagé et remplacez-le au besoin.

REMARQUE : Si vous nettoyez ou remplacez la batterie, appliquez une petite quantité de graisse conductrice uniquement sur les bornes. Vous pourrez vous en procurer dans n'importe quel magasin d'électronique. *N'utilisez pas de graisse pour automobiles ou à roulements.*

Recyclez le bloc-batterie

Si vous retirez la batterie pour la remplacer ou l'entreposer, couvrez ses bornes avec du ruban isolant renforcé.



AVERTISSEMENT: N'essayez pas de détruire ou de démonter la batterie, n'enlevez pas ses composants. Les batteries hermétiques rechargeables au plomb doivent être recyclées ou mises au rebut de manière appropriée. Ne touchez jamais les deux bornes avec des objets métalliques et/ou une partie du corps au risque de provoquer un court-circuit. Tenez la batterie à l'écart des enfants. Le non-respect de ces avertissements peut provoquer un incendie et/ou causer des blessures graves.

ENTRETIEN ET RÉPARATIONS

REMPACEMENT DU CHARGEUR

Remplacez le chargeur s'il est endommagé, ou si le connecteur rond ou le cordon est endommagé, ou si le connecteur n'est pas bien branché sur l'appareil.



MISE EN GARDE: N'utilisez que le type de chargeur spécifié pour cet appareil. Tout autre type pourrait endommager l'appareil ou les batteries et causer des blessures.

Votre désherbeuse utilise un chargeur 12V (791-182534) et une station de charge (791-180295). Les instructions de charge s'appliquent à ces pièces uniquement.

1. Débranchez le chargeur de la prise murale et retirez l'appareil de la station.
2. Enlevez, à l'aide d'un tournevis à mèche no. T20 Torx, la vis de la bride qui retient le connecteur rond (Fig. 19).
3. Retirez le connecteur de la fente et remplacez le chargeur au besoin.
4. Insérez l'extrémité étroite du fil du connecteur rond dans la rainure dans la fente de la station de charge. Assurez-vous que le connecteur rond est inséré correctement et solidement (Fig. 19).
5. Remplacez la bride et la vis.
6. Branchez le chargeur dans la prise murale. Voir *Charge de l'appareil* pour les instructions de charge.

NETTOYAGE DE L'APPAREIL



AVERTISSEMENT: pour éviter des blessures sérieuses, l'appareil doit être mis hors tension et débranché avant tout nettoyage ou entretien.

1. Arrêtez l'appareil et débranchez-le de sa source d'alimentation.
2. Nettoyez les événements avec une petite brosse ou un aspirateur équipé d'une petite brosse.
3. N'employez pas de détergents concentrés sur le boîtier ou les pièces en plastique. Ils peuvent être endommagés par certains nettoyants ménagers contenant des huiles aromatiques tel que le pin et le citron, et par des solvants tel que le kérosène ou l'acétone. L'humidité peut aussi provoquer l'électrocution. Essayez toute trace d'humidité à l'aide d'un tissu doux.

ENTREPOSAGE

- Laissez le moteur se refroidir avant de l'entreposer.
- Rangez l'appareil dans un lieu verrouillé pour éviter toute utilisation ou accident indésirable.
- Rangez l'appareil dans un lieu sec et bien aéré.
- Rangez l'appareil hors de la portée des enfants.

ACCESSOIRES/PIÈCES DE RECHANGE

Protecteur d'accessoire de coupe	180293
Fil de remplacement	610375
Cartouche de fil de remplacement	180292
Ressort du moulinet intérieur	180374
Couvercle de Bump Head	180376
Chargeur	182534
Station de charge	180295
Bloc-batterie de 12 volts	791-182391B

Vous pouvez vous procurer ces pièces de rechange auprès de votre concessionnaire agréé.

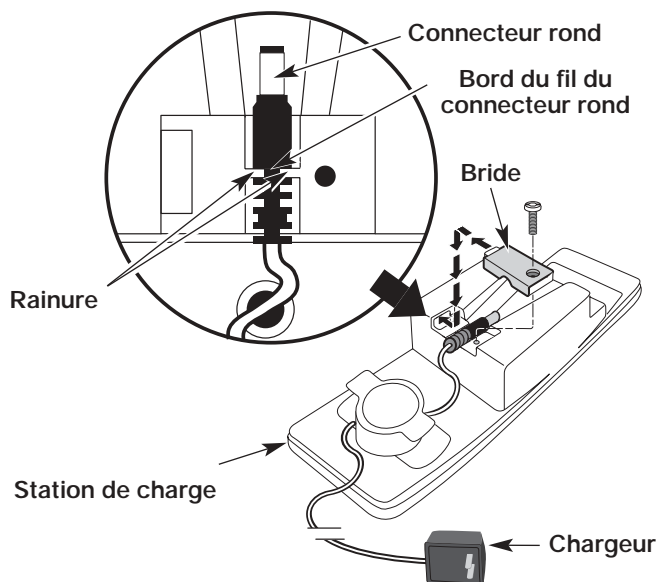


Fig. 19

DÉPANNAGE

LE MOTEUR TOURNE LENTEMENT OU PAS DU TOUT

CAUSE

La batterie n'est pas chargée
Déclenchement du commutateur de protection contre les surcharges
L'accessoire n'est pas entièrement inséré dans le coupleur

SOLUTION

Chargez-la, voir *Charge de l'appareil*
Réarmez-le
Réinsérez son bras inférieur jusqu'à ce que le bouton de déclenchement s'enfonce dans le trou du coupleur

LA BATTERIE NE SE CHARGE PAS

CAUSE

Le chargeur et la batterie ne reçoivent pas de courant
La batterie ne marche pas

SOLUTION

Vérifiez le chargeur et la station de charge
Remplacez la batterie.

LA TÊTE DE COUPE NE FAIT PAS AVANCER LE FIL

CAUSE

Tête de coupe engorgée d'herbes
Tête de coupe mal alignée
Moulinet intérieur bloqué
Tête de coupe sale
Fil soudé
Fil tordu durant la recharge
Quantité insuffisante de fil exposée

SOLUTION

Arrêtez le moteur et nettoyez l'accessoire
Chargez du fil neuf
Remplacez le moulinet
Nettoyez le moulinet intérieur et la bobine extérieure
Démontez et déposez la partie soudée, et rembobinez le fil
Démontez puis rembobinez le fil
Enfoncez le bouton de butée (Bump Head) et tirez le fil jusqu'à en extraire 102 mm (4 po) à l'extérieur de l'accessoire de coupe

CARACTÉRISTIQUES

BATTERIE ET MOTEUR

Moteur	12 Volts CC, 15 Ampères
Batterie	Hermétique rechargeable au plomb, 12 Volts
Tube des fils du moteur	Tube en aluminium
Poids de l'appareil (avec batterie, protecteur d'accessoire de coupe et poignée en D)	4,63 kg (10,2 lb)
Mécanisme de coupe	Bump Head
Diamètre de la bobine de fil	76,2 mm (3 po)
Diamètre du fil	2,03 mm (0,080 po)
Diamètre du chemin de coupe	254 mm (10 po)

GARANTIE LIMITÉE DU FABRICANT POUR:



La garantie limitée énoncée ci-après est accordée par Troy-Bilt LLC et concerne les marchandises neuves achetées et utilisées aux États-Unis, ses possessions et territoires.

Troy-Bilt LLC garantit ce produit contre tout vice de matière ou de façon pendant une période de deux (2) ans à compter de la date d'achat initiale et elle se réserve le choix de réparer ou de remplacer, à titre gratuit, toute pièce présentant un vice de matière ou de façon. Cette garantie limitée ne s'appliquera que dans la mesure où le produit aura été utilisé et entreposé conformément au Manuel de l'utilisateur fourni avec le produit et n'aura pas fait l'objet d'un usage inadéquat, abusif, commercial ou négligent, d'un accident, d'un entretien inadéquat, d'une modification, de vandalisme, d'un vol, d'un incendie, de dégâts d'eau ou d'un endommagement résultant d'un autre péril ou d'un désastre naturel. Les dommages résultants de l'installation ou de l'utilisation de tout accessoire ou équipement non approuvé par Troy-Bilt pour une utilisation avec le(s) produit(s) couvert(s) par le présent manuel annuleront la garantie en ce qui concerne les dommages qui en résulteraient éventuellement. La présente garantie est limitée à quatre-vingt-dix (90) jours à compter de la date d'achat au détail initiale pour tout produit Troy-Bilt utilisé à des fins locatives ou commerciales, ou toute utilisation produisant des revenus.

POUR L'OBTENTION DU SERVICE DE GARANTIE : le service au titre de la garantie est disponible, SUR PRÉSENTATION D'UNE PREUVE D'ACHAT, AUPRÈS DU DISTRIBUTEUR AGRÉÉ LOCAL. Pour trouver un distributeur dans votre région, visitez notre site Web www.troybilt.com, consultez les Pages Jaunes, appelez le **1-800-520-5520** ou écrivez à l'adresse Troy-Bilt LLC, PO Box 361131, Cleveland, OH 44136-0019.

La garantie limitée n'offre aucune couverture dans les cas suivants :

- A. Mises au point : bougies, réglages de carburateur, filtres
- B. Éléments pouvant s'user : boutons de butée, bobines extérieures, fil de coupe, moulins intérieurs, poulie du démarreur, cordons de démarrage, courroies d'entraînement
- C. Troy-Bilt LLC n'accorde aucune garantie pour les produits vendus ou exportés des États-Unis d'Amérique, de leurs possessions et territoires, exception faite en ce qui concerne les produits vendus par l'intermédiaire de ses canaux agréés de distribution à l'exportation.

Troy-Bilt LLC se réserve le droit de modifier ou d'améliorer la conception de ses produits sans pour autant assumer l'obligation de modifier tout produit d'une fabrication plus ancienne.

Aucune garantie implicite, y compris toute garantie de valeur marchande ou d'adaptation à une fin particulière, ne s'applique après la période applicable de garantie expresse écrite ci-dessus concernant les pièces qui sont identifiées. Aucune autre garantie ou caution expresse, écrite ou orale, à l'exception de celle mentionnée ci-dessus, accordée par toute personne ou entité, y compris tout distributeur ou détaillant, concernant tout produit n'engagera la responsabilité de Troy-Bilt LLC. Pendant la période de garantie, le recours exclusif est la réparation ou le remplacement du produit dans les conditions énoncées ci-dessus. (Certains états ne permettent pas la limitation de la garantie implicite, il est donc possible que la limitation ci-dessus ne s'applique pas à vous.)

Les clauses énoncées dans la présente Garantie constituent le recours unique et exclusif inhérent aux ventes. Troy-Bilt LLC ne sera en aucun cas tenue pour responsable de tout dommage indirect ou consécutif ou de dommages comprenant, entre autres, les dépenses encourues du fait du recours à des services de remplacement ou de substitution pour l'entretien des pelouses, le transport ou des frais connexes, ou les frais entraînés par une location destinée à remplacer provisoirement un produit sous garantie. (Certains états ne permettent pas la limitation de la garantie implicite, il est donc possible que la limitation ci-dessus ne s'applique pas à vous.)

Aucun recouvrement, quel qu'il soit, ne sera d'un montant supérieur au prix du produit vendu. Toute modification des dispositifs de sécurité du produit annulera la présente Garantie. Vous assumez tout risque et toute responsabilité résultant de la perte, de l'endommagement ou du préjudice que vous et votre propriété et/ou d'autres et leur propriété pourront encourir d'un fait de l'utilisation normale, de la mauvaise utilisation ou de l'incapacité d'utiliser le produit.

La présente garantie limitée n'est accordée qu'à l'acheteur initial, au preneur initial ou à la personne à laquelle le produit a été offert.

Le Droit des États vis à vis de la présente garantie : la présente garantie vous confère certains droits juridiques et vous pouvez bénéficier d'autres droits lesquels varient d'un état à l'autre.

Pour obtenir l'adresse du distributeur réparateur le plus proche, composez le : **1-800-520-5520**.

Troy-Bilt LLC

PO Box 361131

Cleveland, OH 44136-0019



Manual del Operador



**Recortador a Batería
de 12 voltios**

Model TB55B



IMPORTANTE: LEA LAS REGLAS DE SEGURIDAD E INSTRUCCIONES DETENIDAMENTE

P/N 769-01380 (12/04)
IMPRESO EN LOS EE.UU.

INTRODUCCION

MUCHAS GRACIAS

Gracias por haber adquirido este gran producto. Esta moderna herramienta motriz de exteriores está diseñada para brindarle muchas horas de servicio útil. Usted comprobará que es un artefacto que le ahorrará mucho trabajo. Este manual del operador le brinda instrucciones de operación de fácil comprensión. Lea todo el manual y siga todas las instrucciones para mantener su nueva herramienta motriz de exteriores en las mejores condiciones de funcionamiento.

REFERENCIAS, ILUSTRACIONES Y ESPECIFICACIONES DEL PRODUCTO

Toda la información, las ilustraciones y las especificaciones contenidas en este manual se basan en la información más reciente disponible en el momento de impresión del manual. Nos reservamos el derecho de hacer cambios en cualquier momento sin aviso previo.

Copyright© 2004 MTD SOUTHWEST INC. Todos los derechos reservados.

INFORMACION DEL SERVICIO

El servicio de esta unidad, ya sea durante o después del período cubierto por la garantía, debe ser realizado solamente por un proveedor de servicios autorizado y aprobado.

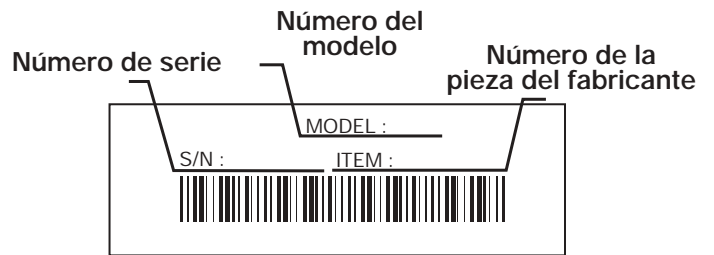
Llame **1-800-520-5520** para obtener una lista de distribuidores de servicio localizados cerca de usted. Para obtener más detalles sobre su unidad, visite nuestro sitio en www.troybilt.com.

NO REGRESE SU UNIDAD AL VENDEDOR. PARA SOLICITAR SERVICIO POR LA GARANTIA, DEBERA PRESENTAR PRUEBA DE SU COMPRA.

INDICE DE CONTENIDOS

Llamadas a apoyo al cliente	2
Normas para una operación segura	3
Conozca su unidad	6
Instrucciones de ensamble	7
Instrucciones de operación	8
Instrucciones de mantenimiento y reparación	11
Especificaciones	15
Cuadro de solución de problemas	15
Garantía	20
Lista de Piezas	Contraportada

Antes de que empiece a ensamblar su nuevo equipo, por favor ubique la placa que contiene el modelo de la unidad y escriba esa información en el espacio en blanco aquí debajo. Aquí debajo se explica la muestra de una placa del modelo.



Copie el número del modelo/
pieza del fabricante aquí: _____

Copie el número
de serie aquí: _____

Antes de arrancar u operar este equipo, asegúrese de leer y comprender bien este manual.

ESTE PRODUCTO ESTA CUBIERTO POR UNA O MAS PATENTES DE EE.UU., OTRAS PATENTES EN TRAMITE.

NORMAS PARA UNA OPERACION SEGURA

Los símbolos de seguridad se utilizan para llamar su atención sobre posibles peligros. Los símbolos de seguridad y sus explicaciones merecen toda su atención y comprensión. Los símbolos de seguridad no eliminan ningún peligro por sí mismos. Las instrucciones o advertencias que ofrecen no substituyen las medidas adecuadas de prevención de accidentes.

SIMBOLO	SIGNIFICADO
---------	-------------



ALERTA DE SEGURIDAD:

Indica peligro, advertencia o precaución. Debe prestar atención para evitar sufrir graves lesiones personales. Puede ser utilizado junto con otros símbolos o figuras.

NOTA: Le ofrece información o instrucciones que son esenciales para la operación o mantenimiento del equipo.

Lea el manual del operador y siga todas las advertencias e instrucciones de seguridad. De no hacerlo, el operador y/o los espectadores pueden sufrir graves lesiones.

SI TIENE PREGUNTAS, LLAME AL 1-800-520-5520

SIMBOLO	SIGNIFICADO
---------	-------------



PELIGRO: El no obedecer una advertencia de seguridad puede conducir a que usted u otras personas sufran graves lesiones. Siga siempre las precauciones de seguridad para reducir el riesgo de incendio, descarga eléctrica y lesiones personales.



ADVERTENCIA: El no seguir una advertencia de seguridad puede conducir a que usted u otras personas sufran lesiones. Siga siempre las precauciones de seguridad para reducir el riesgo de incendio, descarga eléctrica y lesiones personales.



PRECAUCION: El no seguir una advertencia de seguridad puede conducir a daño patrimonial o a que usted u otras personas sufran lesiones personales. Siga siempre las precauciones de seguridad para reducir el riesgo de incendio, descarga eléctrica y lesiones personales.

• IMPORTANTE INFORMACION DE SEGURIDAD •

LEA TODAS LAS INSTRUCCIONES ANTES DE LA OPERACION



ADVERTENCIA: Cuando use recortadores a batería, debe tomar siempre precauciones básicas de seguridad para reducir el riesgo de incendios, descarga eléctrica y lesiones personales. Lea en detalle y comprenda todo el Manual del Operador antes de usar su unidad. Preste mucha atención a las Instrucciones de Operación y a las Advertencias de Seguridad.

- Lea todas las instrucciones con cuidado. Conozca bien los controles y el uso correcto de la unidad.
- No opere esta unidad si está cansado, enfermo, o bajo los efectos del alcohol, drogas o medicamentos.
- Los niños y los adolescentes menores de 15 años no deben operar las unidades, excepto por los adolescentes guiados por un adulto.
- Inspeccione la unidad antes de utilizarla. Cambie las partes dañadas. Verifique que la batería no tenga pérdidas. Asegúrese de que los sujetadores estén bien colocados y asegurados. Cambie las partes accesorias de corte que estén quebradas, cascadas o dañadas de cualquier forma. Asegúrese de que el accesorio de corte está bien instalado y ajustado con firmeza. Asegúrese de que la protección accesorio de corte esté bien conectada y colocada según se recomienda.
- Tenga en cuenta el riesgo de lesiones en la cabeza, manos y pies.

- Use sólo línea de repuesto del fabricante del equipo original de 0.080 pulgadas (2.03 mm) de diámetro. No use nunca línea reforzada con metal, alambre, cadena ni soga, etc. Estas pueden desprenderse y convertirse en un proyectil peligroso.
- Limpie el área de corte antes de cada uso. Retire todos los objetos como rocas, vidrios rotos, clavos, alambre o cuerda los cuales pueden ser despedidos o enredarse en el accesorio de corte. Aleje a todos los niños, espectadores y animales domésticos. Mantenga todos los niños, espectadores y animales domésticos a un radio de por lo menos 50 pies (15 m); aún así puede existir un riesgo de objetos despedidos contra los espectadores. Los espectadores deben usar protección para sus ojos. Si alguien se le acerca, pare el motor y el accesorio de corte de inmediato.
- Esta unidad no fue diseñada para ser usada como cortamalezas. No conecte ni opere esta unidad con ningún tipo de cuchilla ni accesorio para cortar malezas.

ADVERTENCIAS DE SEGURIDAD PARA LOS RECORTADORES A BATERIA

- Las herramientas a batería no tienen que estar enchufadas a un tomacorriente eléctrico; por lo tanto, siempre están en condiciones de operación. Tenga en cuenta los riesgos posibles aún cuando no esté operando esta herramienta. Tenga cuidado cuando realice el mantenimiento o el servicio.
- Retire o desconecte la batería antes de realizar el servicio, la limpieza y antes de sacar material de la unidad.

NORMAS PARA UNA OPERACION SEGURA

- Use sólo la central de carga incluida con la unidad . No cambie ningún otro medio de carga. El uso de otro medio de carga puede dar lugar a la explosión de las baterías, lo cual puede causar graves lesiones personales.
- No cargue la unidad bajo la lluvia ni en un sitio húmedo.

ADVERTENCIAS DE SEGURIDAD LAS CONSOLAS DE CARGA DE BATERÍAS Y ÁCIDO Y PLOMO

- Antes de usar la consola de carga, lea todas las instrucciones y marcas de precaución de este manual, en la consola de carga y en el producto que usa la consola de carga.
 - No exponga el cargador a la lluvia ni a nieve.
 - Para reducir el riesgo de lesiones, cargue sólo las baterías recargables de plomo y ácido. Otros tipos de baterías pueden explotar, causando lesiones personales y daños.
 - Para reducir el daño al cuerpo y cable del cargador, cuando desconecte el cargador tire del cuerpo del mismo y no del cable.
 - Verifique que el cable del cargador esté ubicado de modo que nadie lo pise ni se tropiece con él, ni sea sometido de otro modo a daño o tensión.
 - No opere el cargador si tiene un cable o enchufe dañado. Si está dañado, cambie el cargador de inmediato.
 - No opere el cargador si ha recibido un golpe fuerte, si se ha caído, o si se ha dañado de otro modo. Si el estuche del cargador está dañado, cambie el cargador.
 - No desarme el cargador. El cargador no puede ser reparado, su desarmado puede conducir a un riesgo de descarga eléctrica o incendio.
 - Para reducir el riesgo de descarga eléctrica, desenchufe el cargador del toma antes de intentar realizar su mantenimiento o limpieza.
 - No use el cargador en exteriores.
 - Use sólo una batería de este tipo y tamaño: batería sellada de ácido y plomo, parte 182391 de 12 voltios CC.
 - No tire las baterías al fuego. El elemento puede explotar. Las baterías deben ser recicladas, consulte con su autoridad local de eliminación de residuos para obtener información en cuanto a las opciones disponibles de reciclado y eliminación de residuos.
 - No cargue la batería bajo la lluvia ni en lugares húmedos.
 - Tenga cuidado cuando maneje las baterías a fin de no hacer circuito con la batería con materiales conductores como anillos, pulseras y llaves. La batería o el conductor pueden calentarse demasiado y causar quemaduras.
 - Cargue la batería en un lugar donde la temperatura sea mayor a 50° F (10° C) pero menor a 100° F (38° C).
- No abra ni dañe la batería. El electrolito liberado es corrosivo y puede causar daños a los ojos o a la piel. Puede ser tóxico si es ingerido.

DURANTE LA OPERACIÓN

- Para evitar arranques accidentales, nunca transporte su unidad con su dedo en el gatillo.
- Use lentes o gafas de protección que indiquen que cumplen con las normas ANSI Z87.1-1989 y protección para oídos y audición cuando use esta unidad. Use una máscara o una máscara para polvo si la operación levanta polvo. Se recomienda usar camisas de manga larga.
- Manténgase alerta. Preste atención a lo que hace. Use su sentido común.
- Use pantalones largos y gruesos, botas y guantes. No use ropa holgada, joyas, pantalones cortos, sandalias ni esté descalzo.
- Vista en forma adecuada. No use ropa holgada ni alhajas. Pueden atascarse en las partes móviles. Sostenga su cabello sobre la altura de su hombro.
- Ajuste la manija en D a su medida para brindarle el mejor agarre.
- Use la unidad sólo a la luz del día o con buena luz artificial.
- Use la herramienta adecuada. Use esta herramienta sólo para el fin para el cual ha sido diseñada.
- No se estire demasiado. Mantenga siempre una buena posición y equilibrio.
- No fuerce la unidad. Hará una mejor labor y con menos probabilidad de riesgo si se usa a la velocidad para la cual fue diseñada.
- Sostenga siempre la unidad con ambas manos al operarla. Mantenga un agarre firme en el mango del bastidor de la batería y en la manija en D.
- Use sólo piezas y accesorios de repuesto del fabricante del equipo original para esta unidad. Puede obtenerlos en su proveedor de servicio autorizado. El uso de piezas y accesorios que no son equipo original puede causar graves lesiones al operador o el daño de su unidad, y la cancelación de su garantía.
- El recortador ha sido diseñado sólo para cortar césped, hierbas delgadas y recorte decorativo. No use el recortador como un recortador de bordes.
- Asegúrese de que el accesorio de corte no haga contacto con ningún objeto antes de arrancar la unidad.
- Si golpea o se enreda con algún objeto extraño, apague la unidad de inmediato y verifique si hay daños. No opere la unidad antes de reparar los daños. No opere la unidad con piezas flojas o dañadas.
- Para realizar el mantenimiento o reparaciones, suelte el gatillo, asegure que el botón de traba vuelva a su posición y espere que el motor se detenga.
- Mantenga las manos, la cara y los pies lejos de todas las partes móviles. No toque ni intente detener el accesorio de corte mientras está rotando.

NORMAS PARA UNA OPERACION SEGURA

- Apague siempre el motor si el corte se demora o mientras camina de un área de corte a otra.
- El protector accesorio de corte debe estar colocado siempre mientras opere la unidad. No opere la unidad sin la línea de corte extendida y la línea correcta instalada. No extienda la línea de corte más allá de la longitud del protector.
- Mantenga la unidad libre de vegetación y otros materiales. Pueden atascarse entre el accesorio de corte y el protector.

- Guarde la unidad dentro de un lugar seco, ya sea bajo llave o alto para evitar el uso no autorizado o su daño. Mantenga fuera del alcance de los niños.
- Nunca moje ni rocíe la unidad con agua ni con ningún otro líquido. Mantenga las manijas secas, limpias y sin residuos. Limpie la unidad luego de cada uso, lea las instrucciones de *Limpieza y Almacenamiento*.
- Guarde estas instrucciones. Consúltelas con frecuencia y utilícelas para enseñar a otros usuarios. Si le presta esta unidad a alguien, préstele también estas instrucciones.

OTRAS ADVERTENCIAS DE SEGURIDAD

- Deje enfriar la unidad antes de guardarla o de transportarla. Asegúrese de sujetar bien la unidad durante su transporte.

GUARDE ESTAS INSTRUCCIONES

SIMBOLOS DE SEGURIDAD E INTERNACIONALES

Este manual del operador describe los símbolos y figuras de seguridad e internacionales que pueden aparecer en este producto. Lea el manual del operador para obtener información completa acerca de la seguridad, ensamble, operación y mantenimiento y reparación.

SIMBOLO

SIGNIFICADO



• SIMBOLO DE ALERTA DE SEGURIDAD

Indica peligro, advertencia o precaución. Puede ser utilizado junto con otros símbolos o figuras.



• ADVERTENCIA - LEA EL MANUAL DEL OPERADOR

Lea el manual del operador y siga todas las advertencias e instrucciones de seguridad. De no hacerlo, el operador y/o los espectadores pueden sufrir graves lesiones.



• USE PROTECCION OCULAR Y AUDITIVA

ADVERTENCIA: Los objetos arrojados por la unidad y el ruido fuerte pueden causar graves lesiones oculares y pérdida auditiva. Utilice protección ocular que cumpla con las normas ANSI Z87.1 y protección auditiva cuando opere esta unidad. Use una careta completa cuando la necesite.

SIMBOLO

SIGNIFICADO



• LOS OBJETOS DESPEDIDOS Y LA CUCHILLA ROTATIVA PUEDEN CAUSAR GRAVES LESIONES

ADVERTENCIA: No opere esta unidad si la protección plástica de línea no está colocada en su lugar. Manténgase alejado del accesorio de corte giratorio.



• CUCHILLA AFILADA

ADVERTENCIA: La protección del accesorio de corte contiene una cuchilla afilada. Para prevenir graves lesiones, no toque la cuchilla.



• MANTENGA ALEJADOS A LOS ESPECTADORES

ADVERTENCIA: Mantenga a todos los espectadores, en especial a niños y animales domésticos a por lo menos 50 pies (15 m.) del área de corte.

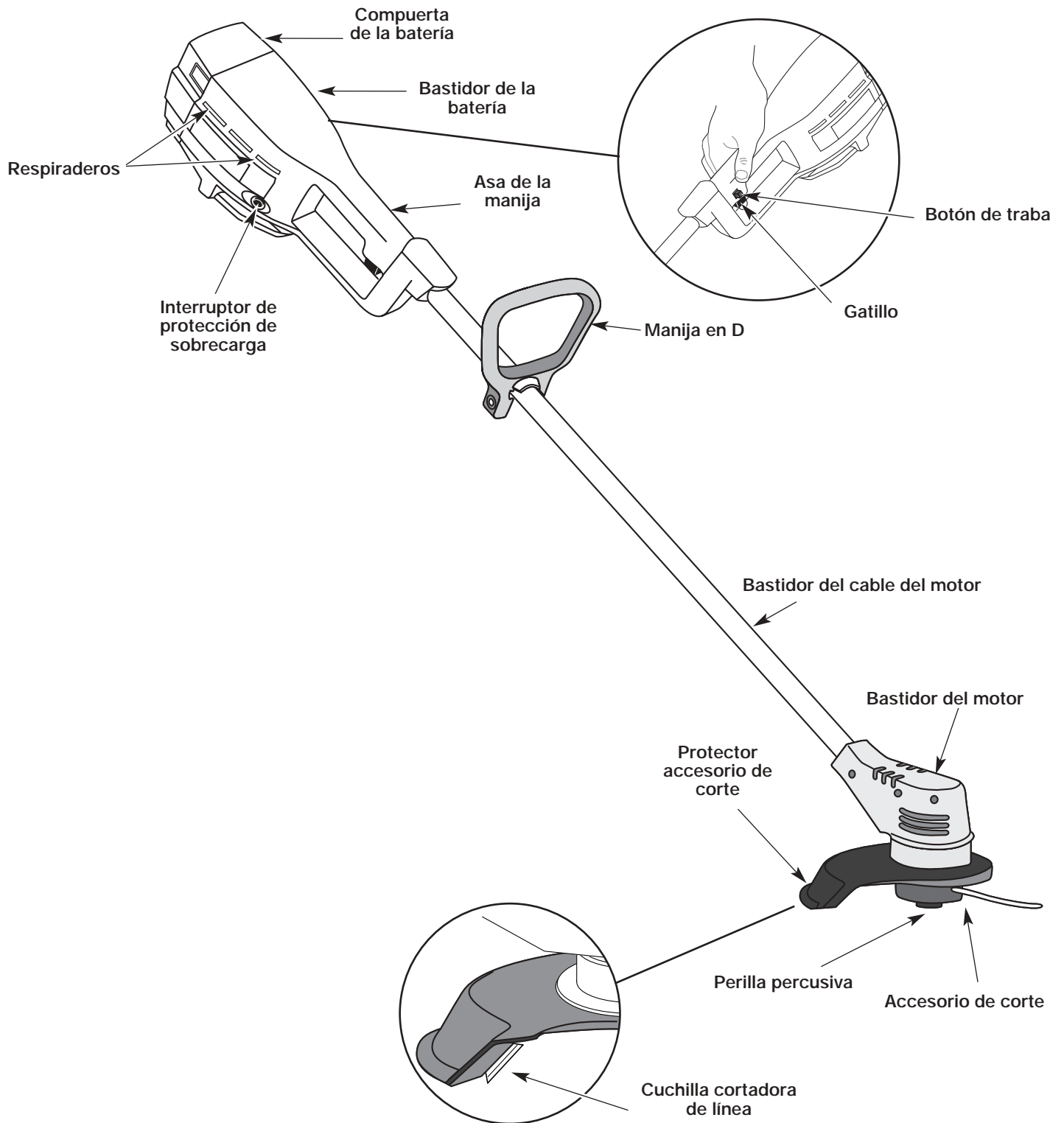
NORMAS PARA UNA OPERACION SEGURA

CONOZCA SU UNIDAD

APLICACIONES

Como recortadora:

- Corte de césped y hierbas delgadas
- Recorte decorativo alrededor de árboles, cercos



INSTRUCCIONES DE ENSAMBLE

AJUSTE DE LA MANIJA EN D

NOTA: El mango en forma de D ya está montado en la posición, en la parte posterior del eje.

1. Ubique la tuerca de mariposa en el mango en forma de D. Aflójela suficientemente para soltar el mango en forma de D (Fig. 1).

NOTA: No quite la tuerca de mariposa, la arandela o el perno.

2. Gire el mango en forma de D hacia la posición vertical al frente de la cubierta del eje (Fig. 1).

NOTA: El mango en forma de D debe inclinarse hacia el cabezal motorizado de la unidad.

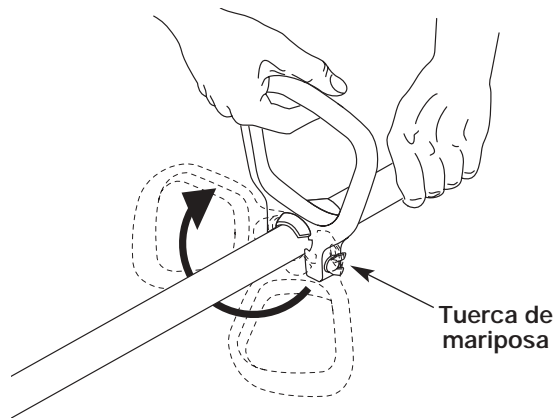


Fig. 1

3. Sostenga la unidad en la posición de funcionamiento. Si es necesario, reubique el mango en forma de D hacia el punto que ofrezca el mejor agarre (Fig. 2).



Fig. 2

4. Apriete la tuerca de mariposa hasta que el mango esté seguro.

MONTAJE DE LA CENTRAL DE CARGA

NOTA: Monte la central de carga y deje cargar la unidad por lo menos durante 36 horas antes de usarla por primera vez.

Esta unidad puede quedar en la central de carga en forma continua sin sobrecargarse. Coloque la central de carga en el sitio donde se intenta guardar la unidad. Este sitio debe ser fresco, seco y bien ventilado, donde la unidad pueda guardarse bajo llave y fuera del alcance de los niños.

La unidad debe ser cargada y guardada en un sitio donde la temperatura sea superior a 50°F (10°C) pero inferior a 100°F (38°C).

1. Ubique un sitio para la central de carga cerca de un toma de pared y lo suficientemente alto para que la unidad no toque el piso.
2. Ubique el parante de la pared y monte la central de carga a la pared con los tres (3) tornillos incluidos (Fig. 3). Verifique que los tornillos penetren en el parante para lograr un montaje seguro.

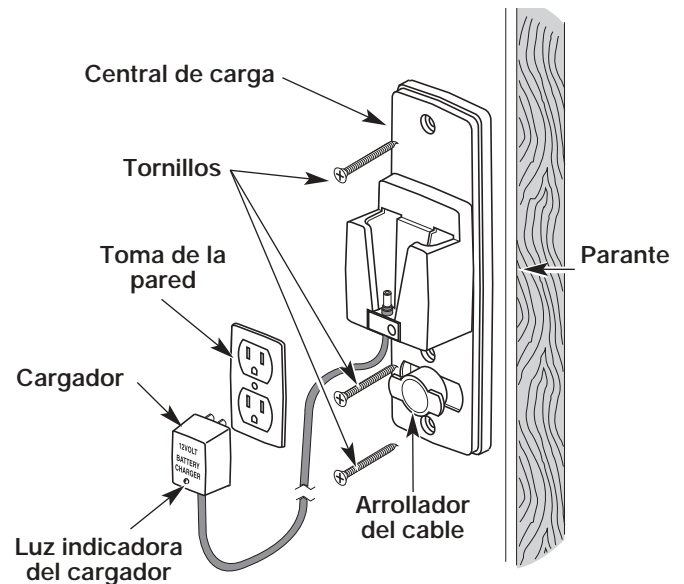


Fig. 3



PRECAUCION: La central de carga debe estar montada a la pared en forma segura para evitar lesiones o daños a la unidad.

3. Enchufe el cargador al toma de la pared y envuelva todo el exceso de cable en el arrollador de cable de la central de carga (Fig. 3).

INSTRUCCIONES DE OPERACION

CARGA DE LA UNIDAD

Verifique que la central de carga esté bien ajustada a una pared y que el cargador esté enchufado en un toma de pared que funcione.

NOTA: Deje que la unidad se cargue por lo menos durante 36 horas antes de su primer uso.

1. Deslice la unidad hacia abajo en la central de carga hasta que quede bien sentada (Fig. 4). El conector cilíndrico de la central de carga se insertará en la unidad. Si no lo hace, lea *Cambio del Cargador*.

NOTA: La batería se calentará mientras la unidad se está cargando. Verifique que los respiraderos del bastidor de la batería estén libres para permitir una ventilación adecuada (Fig. 4).

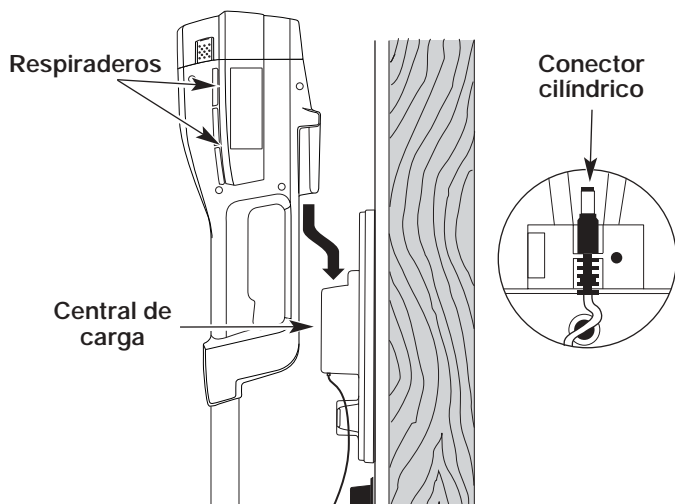


Fig. 4

2. Cuando se enciende la luz roja indicadora en la unidad, la batería se está cargando (Fig. 5). Si la luz no se enciende, verifique lo siguiente:
 - a. El cargador está enchufado a un toma que de pared funciona.
 - b. La unidad está bien sentada en la central de carga y el conector cilíndrico está insertado totalmente en la unidad.
 - c. El conector cilíndrico está bien instalado en la central de carga. Si no lo está, lea *Cambio del Cargador*.
 - d. El toma de la pared recibe energía.

NOTA: Si el toma de la pared se activa con un interruptor, verifique que esté activado.

3. Cargue la batería hasta que la Luz Indicadora de Carga del cargador cambie de rojo a verde (Fig. 5).

NOTA: El tiempo de operación del recortador y la vida de la batería se reducirán si no carga la unidad completamente entre usos.

4. Vuelva a colocar la unidad en la central de carga luego de cada uso. La unidad ha sido diseñada de modo que la batería no pueda sobrecargarse.

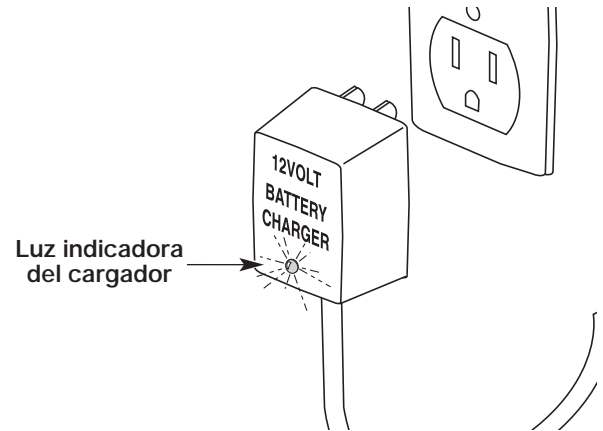


Fig. 5

Consejos de carga para lograr un máximo rendimiento

- Guarde y cargue la unidad en un área donde la temperatura esté entre 50° F (10° C) y 100° F (38° C). Si guarda la unidad o las baterías en un área donde la temperatura es superior a 100° F (38° C) la vida de las baterías se reducirá.
- El almacenamiento bajo 50° F (10° C) de temperatura no reducirá la vida de la batería, pero puede requerir más tiempo de carga.
- Guarde la unidad en la central de carga cuando no la use. La unidad está diseñada de modo que la batería no pueda sobrecargarse.

NOTA: Mientras la unidad esté bien instalada en la central de carga, la luz indicadora de carga permanecerá encendida.

Efectos de la temperatura sobre el tiempo de carga

- 50° F (10° C) a 100° F (38° C) - La batería se cargará en 24 horas.
- 40° F (4° C) a 50° F (10° C) - La batería necesitará 48 horas para cargarse completamente.
- Menos de 40° F (4° C) - La batería no se cargará completamente.

NOTA: El tiempo de funcionamiento de la unidad se reducirá si la batería no está completamente cargada.



ADVERTENCIA: Para evitar graves lesiones personales, haga que un electricista calificado examine el toma de la pared si no funciona en forma correcta.

INSTRUCCIONES DE OPERACION

ARRANQUE DE LA UNIDAD



ADVERTENCIA: Para evitar graves lesiones personales, verifique que el botón de traba se reajuste cada vez que suelta el gatillo.

1. Oprima y sostenga el botón de traba (Fig. 6). Esto permite la operación del gatillo.

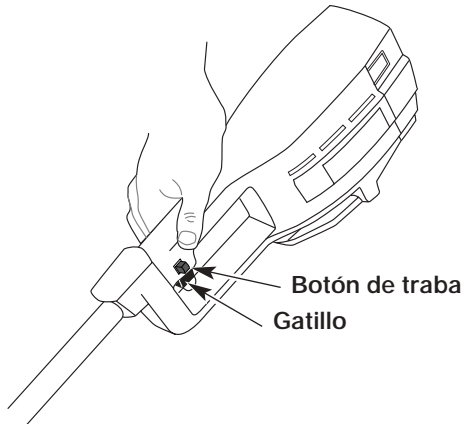


Fig. 6

2. Oprima y sostenga el gatillo.
3. Suelte el botón de traba.

APAGADO DE LA UNIDAD

Suelte el gatillo para parar el recortador.

INTERRUPTOR DE PROTECCIÓN DE SOBRECARGA

Esta unidad está equipada con un interruptor de protección de sobrecarga para prevenir el daño al motor en caso de recalentamiento excesivo.

Si el interruptor salta

1. Suelte el gatillo y deje enfriar unidad durante un minuto.
2. Oprima el interruptor de sobrecarga para reajustarlo y volver a iniciar la operación (Fig. 7).

Si el interruptor vuelve a saltar poco tiempo después de la primera vez

1. Deje enfriar la unidad de 15 a 30 minutos.
2. Después que la unidad se enfríe, vuelva a oprimir el interruptor para reajustarlo. Vuelva a comenzar la operación.

Si el interruptor no permanece adentro o continúa saltando durante la operación, lleve la unidad a un centro de servicio autorizado para que lo reparen.

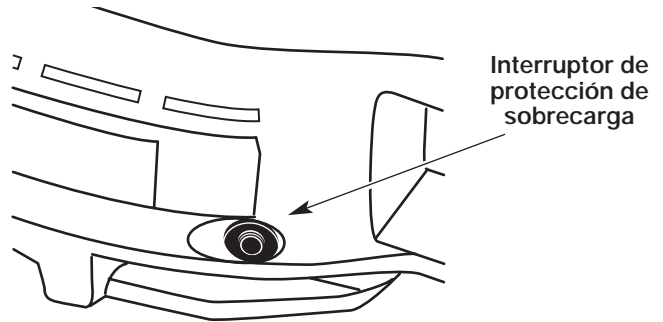


Fig. 7

CÓMO SOSTENER LA UNIDAD



ADVERTENCIA: Vista ropa adecuada para reducir el riesgo de lesiones cuando opere esta unidad. No use ropa holgada ni alhajas. Use protección en sus oídos / audición. Use pantalones largos y gruesos, botas y guantes. No use pantalones cortos, sandalias ni esté descalzo.

Antes de usar la unidad, colóquese en posición de operación y verifique lo siguiente:

- El operador tiene protección ocular y ropa adecuada.
- El brazo derecho está ligeramente doblado, la mano derecha sostiene el mango del bastidor.
- El brazo izquierdo está derecho, la mano izquierda sostiene la manija en D.
- La unidad está al nivel de la cintura.
- La cabeza percusiva del recortador está paralela al suelo y hace contacto fácilmente con el material a cortar sin que el operador deba inclinarse (Fig. 8).



Fig. 8



ADVERTENCIA: Para evitar graves lesiones, no transporte la unidad con su dedo en el gatillo.

INSTRUCCIONES DE OPERACION

OPERACIÓN DEL RECORTADOR



ADVERTENCIA: Para evitar graves lesiones personales, use gafas o lentes de protección en todo momento cuando use esta unidad. Use una pantalla facial o una máscara para el polvo en los lugares cubiertos de polvo.

Limpie el área a cortar antes de cada uso. Saque todos los objetos como rocas, vidrios rotos, clavos, alambre o cuerda los cuales pueden salir despedidos o enredarse en el accesorio de corte. No permita que haya niños, espectadores ni animales domésticos en el área. Mantenga a los niños, espectadores y animales domésticos fuera de un radio no menor de 50 pies (15 m); aún así, puede existir riesgo de objetos arrojados hacia los espectadores. Debe sugerir a los espectadores que usen protección ocular. Si se le acerca alguien, apague el motor y el accesorio de corte de inmediato.

NOTA: Saque la cinta de protección de la cuchilla de corte de línea antes de operar el recortador.

AJUSTE DE LA LONGITUD DE LA LINEA DE CORTE

La cabeza percusiva permite que el operador suelte más línea de corte sin apagar el motor. A medida que la línea se deshilacha o se gasta, puede soltar más línea golpeando ligeramente la cabeza de corte contra el suelo (Fig. 9) mientras opera el recortador.

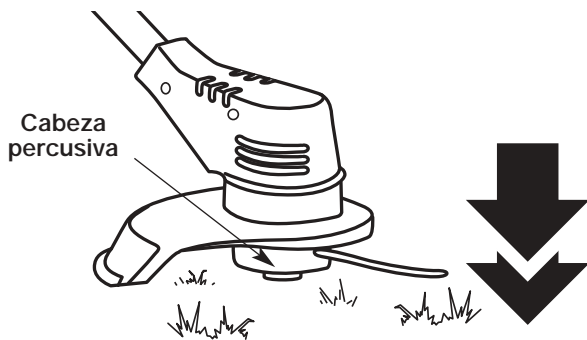


Fig. 9

NOTA: Mantenga la línea de corte siempre extendida en su totalidad. Es más difícil soltar línea a medida que se acorta la línea de corte.



ADVERTENCIA: No saque ni altere el ensamble de la cuchilla de corte de línea. La longitud excesiva de línea hará recalentar al motor, lo que puede causar graves lesiones personales.

Cada vez que golpea la cabeza, se suelta cerca de 1 pulgada (25.4 mm) línea de corte. Una cuchilla en la protección de la cuerda cortará la línea si se suelta demasiada línea.

Para obtener mejores resultados, golpee la cabeza sobre el suelo limpio o tierra firme. Si intenta soltar línea sobre el césped alto, el motor puede recalentarse. Mantenga siempre la línea de corte completamente extendida. Es más difícil soltar línea a medida que la línea se acorta.

RECORTE DECORATIVO

El recorte decorativo se logra quitando toda la vegetación alrededor de árboles, postes, cercos, etc. Use un ángulo de 30 grados cuando recorte con este método (Fig. 10).

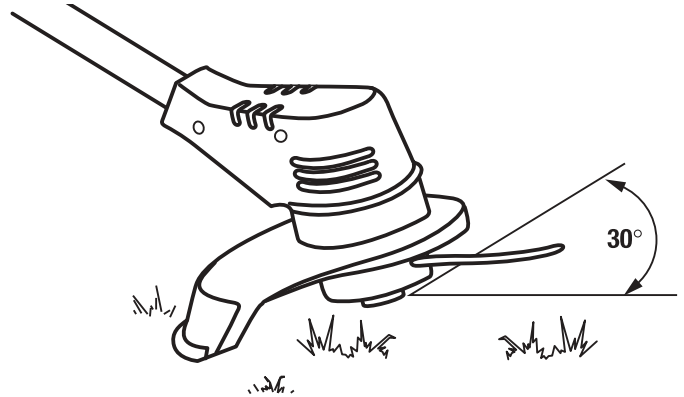


Fig. 10

CONSEJOS PARA LOGRAR UN MEJOR CORTE

• El ángulo correcto para el accesorio de corte es paralelo al suelo.

NOTA: No apoye la cabeza percusiva sobre el suelo.

- **NO FUERCE LA UNIDAD.** Permita que la punta de la línea realice el corte (en especial a lo largo de paredes). Si corta con más de la punta reducirá la eficacia del corte y puede sobrecargar el motor.
- El césped de más de 8 pulgadas (200 mm) de altura debe cortarse desde arriba hacia abajo en pequeños incrementos para evitar el desgaste prematuro de la línea o el arrastre del motor.
- Siempre que sea posible, corte de la derecha hacia la izquierda. Cuando corta hacia la izquierda, la eficacia del corte de la unidad se mejora ligeramente. Además, los recortes salen despedidos en sentido contrario al operador.
- Mueva el recortador lentamente dentro y fuera del área de corte, manteniendo la unidad a la altura de corte deseada. Este movimiento puede ser de adelante hacia atrás o de lado a lado. El corte de longitudes menores produce mejores resultados.
- Corte sólo cuando el césped y las hierbas estén secos.
- La vida de su línea de corte depende de las técnicas de corte anteriores, del material que corta, y del lugar donde corta. Por ejemplo, la línea se gastará más rápido cuando corte contra un muro a diferencia de cortar alrededor de un árbol. Lo siguiente causará cierta rotura en la línea:
 - Enredarse con un cuerpo extraño.
 - Fatiga normal de la línea.
 - Intentar cortar hierbas gruesas y leñosas.
 - Forzar la línea en objetos como paredes o postes de cercos.

INSTRUCCIONES DE MANTENIMIENTO Y REPARACION

La garantía de este recortador de línea no cubre los elementos que han sido sujetos al abuso o negligencia del operador. Para recibir el valor completo de la garantía, el operador debe mantener la unidad de acuerdo a las instrucciones de este manual del operador.



ADVERTENCIA: Las herramientas a batería no tienen que estar enchufadas a un toma eléctrico; por lo tanto, siempre están en condición de operación. Para evitar graves lesiones personales, tome medidas adicionales y tenga mucho cuidado cuando realice el servicio, mantenimiento, o para cambiar el accesorio de corte u otros accesorios.



ADVERTENCIA: Para evitar graves lesiones personales, saque o desconecte la batería antes de realizar el servicio, la limpieza o de cambiar accesorios o sacar material de la unidad.

SERVICIO DE LAS UNIDADES CON AISLAMIENTO DOBLE

Esta unidad cuenta con un aislamiento doble. En una unidad con aislamiento doble, existen dos sistemas de aislamiento en vez de conexión a tierra. No se proporciona ningún medio de conexión a tierra en una unidad de aislamiento doble, ni deben agregarse medios de conexión a tierra a esta unidad. El servicio de una unidad con aislamiento doble requiere mucho cuidado y conocimiento del sistema, y debe ser realizado únicamente por personal de servicio calificado. Las piezas de repuesto para una unidad con aislamiento doble deben ser idénticas a las piezas que reponen. Solicite todas las reparaciones a un proveedor de servicio autorizado. Una unidad de aislamiento doble está indicada con las palabras "double insulation" o "double insulated."

INSTALACIÓN DE LA LÍNEA

Use siempre línea de repuesto del fabricante del equipo original de 0.080 in. (2.03 mm.). Si usa una línea que no es la indicada, puede causar que la unidad se caliente demasiado o falle.



ADVERTENCIA: No use nunca línea reforzada con metal, alambre, cadena ni sogas, etc. Estos elementos pueden desprenderse y convertirse en un proyectil peligroso.

Existen dos métodos para cambiar la línea de corte:

- Bobinar el carrete interior con nueva línea.
- Instalar un carrete interior prebobinado.

Bobinado del carrete existente

1. Saque la cubierta de la cabeza percusiva presionando ambas orejetas de la cubierta de la cabeza en cualquiera de los lados de la bobina exterior de la cabeza percusiva (Fig. 11).

NOTA: El resorte empujará la cubierta hacia arriba al soltar las orejetas.

2. Saque el carrete interior y el resorte (Fig. 11).

3. Limpie la superficie interior de la bobina exterior con un paño limpio (Fig. 11).

NOTA: Limpie siempre el carrete interior, la bobina exterior y el eje antes de ensamblar la cabeza percusiva.

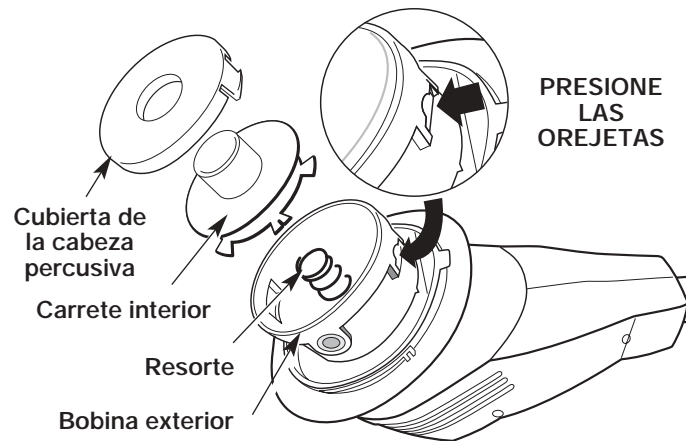


Fig. 11

4. Verifique los dientes de posición del carrete interior y la bobina exterior para ver si están desgastados (Fig. 12). Si es necesario, elimine las rebabas o cambie el carrete y la bobina.

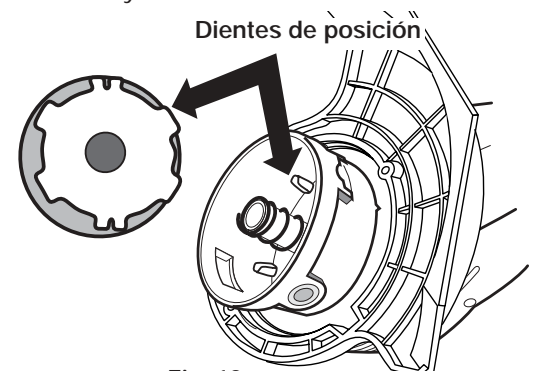


Fig. 12

5. Tome alrededor de 12 pies (3.6 m) de línea de corte nueva, inserte un extremo de la línea en el orificio del carrete interior (Fig. 13).
6. Bobine la línea en el carrete en capas parejas y ajustadas (Fig. 13). Bobine la línea en la dirección indicada en el carrete interior.

NOTA: Si no bobina la línea en la dirección indicada, la cabeza percusiva funcionará en forma incorrecta.

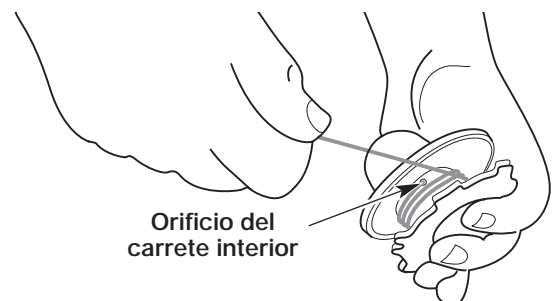


Fig. 13

INSTRUCCIONES DE MANTENIMIENTO Y REPARACION

7. Inserte el extremo de la línea en una de las dos ranuras de fijación de 0.80 (Fig. 14).

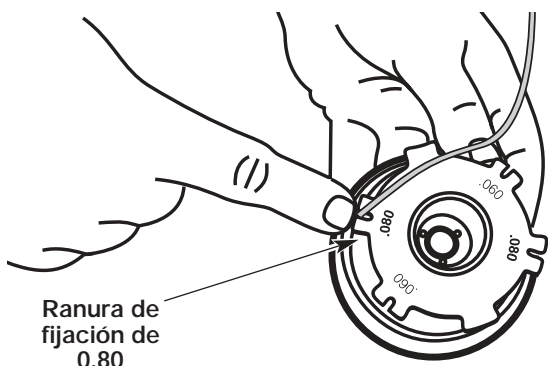


Fig. 14

8. Inserte el extremo de la línea a través del ojalillo en la bobina exterior (Fig. 15).

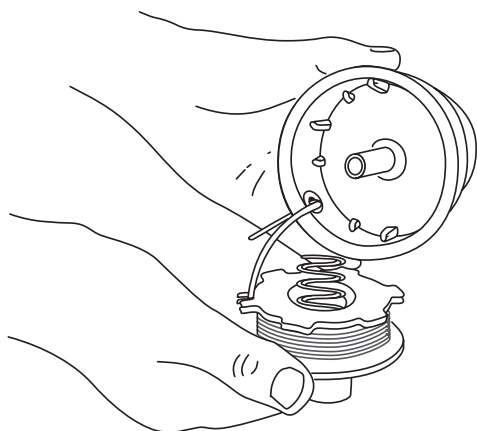


Fig. 15

9. Coloque el carrete interior y el resorte dentro de la bobina exterior.

NOTA: El resorte debe ser ensamblado en el carrete interior antes de volver a ensamblar la cabeza percusiva.

10. Sostenga el carrete interior en su lugar, tome el extremo de la línea y tire con firmeza para soltar la línea de la ranura de fijación en el carrete interior (Fig. 16).

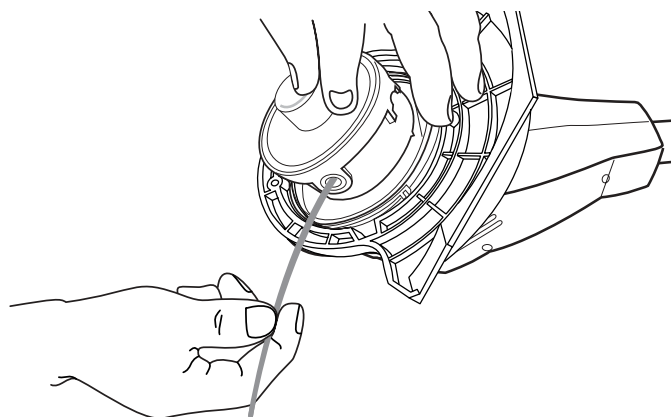


Fig. 16

11. Instale la cubierta de la cabeza percusiva sobre el carrete interior. Alinee las orejetas de la cubierta con las ranuras de la bobina exterior y apriete la cubierta en forma pareja hacia abajo hasta que enganche en su lugar.

NOTA: Verifique que las orejetas de la cubierta de la cabeza percusiva se enganchen en su lugar, de lo contrario el carrete interior se saldrá durante la operación.

INSTALACIÓN DE UN CARRETE PREBOBINADO

Use siempre línea de repuesto auténtica. Si usa una línea más larga que la línea que debe usar la unidad, el motor puede recalentarse o fallar.

1. Saque la cubierta de la cabeza percusiva presionando en las dos orejetas de la cabeza percusiva que están visibles en cualquiera de los lados de la bobina exterior de la cabeza percusiva (Fig. 11).

NOTA: El resorte empujará la cubierta hacia arriba al soltar las orejetas.

2. Saque el carrete interior viejo y el resorte de la bobina exterior (Fig. 11).
3. Saque el resorte del carrete interior viejo (Fig. 11).
4. Limpie la superficie interior de la bobina exterior con un paño limpio.
5. Inserte el extremo de la línea del carrete prebobinado a través del ojalillo de la bobina exterior (Fig. 15).
6. Coloque el carrete interior y resorte dentro de la bobina exterior.


NOTA: El resorte debe ser ensamblado en el carrete interior antes de volver a ensamblar la cabeza percusiva.

7. Sostenga el carrete interior en su lugar, tome el extremo de la línea y tire con firmeza para soltar la línea de la ranura de fijación del carrete interior (Fig. 16).
8. Instale la cubierta de la cabeza percusiva sobre el carrete interior. Alinee las orejetas de la cubierta con las ranuras de la bobina exterior y apriete la cubierta en forma pareja hasta que se enganche en su lugar.

NOTA: Verifique que las orejetas de la cubierta de la cabeza percusiva se enganchen en su lugar, o el carrete interior se saldrá durante la operación.

INSTRUCCIONES DE MANTENIMIENTO Y REPARACION

CAMBIO DEL BLOQUE DE BATERIAS

 Pb	Por favor recicle o elimine la batería en forma correcta para conservar los recursos naturales. ESTE PRODUCTO CONTIENE UNA BATERIA SELLADA DE PLOMO Y ACIDO Y DEBE SER ELIMINADA EN FORMA CORRECTA. Las leyes locales, estatales o federales pueden prohibir la eliminación de las baterías selladas de plomo y ácido junto con los residuos comunes. Consulte con su autoridad local de eliminación de residuos para obtener información acerca de opciones disponibles de reciclado o eliminación.
---	--

Remoción de la batería

1. Presione las dos trabas al costado de la puerta del bastidor de la batería y abra la puerta hacia abajo. Levante y separe para desenganchar la puerta de la ranura de la base del bastidor de la batería. Deje la puerta a un lado (Fig. 17).

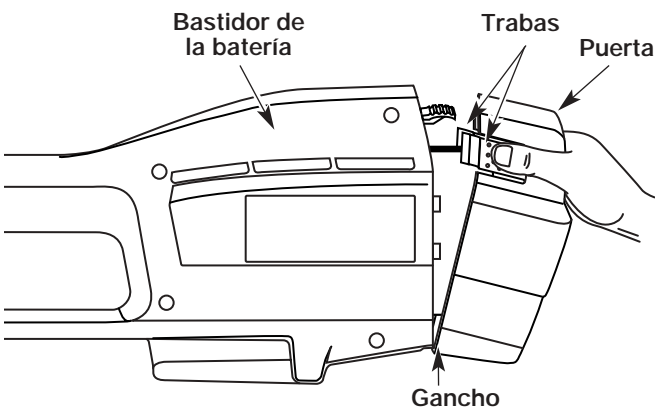


Fig. 17

2. Presione la traba que sostiene la batería mientras saca la batería hacia fuera (Fig. 18).

NOTA: Si retira la batería, notará que los contactos terminales tienen grasa, esto es normal.

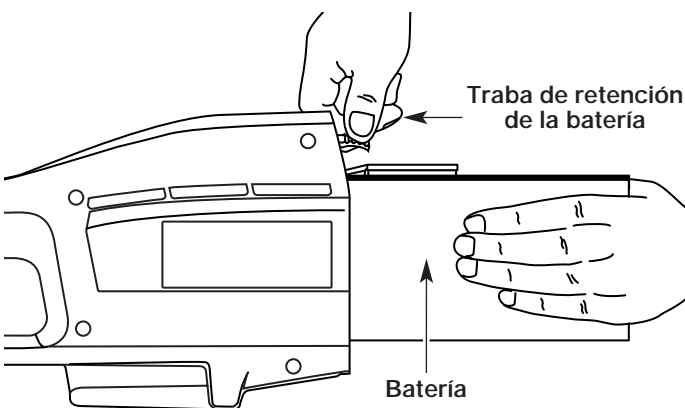


Fig. 18



PRECAUCION: Si el bloque de baterías tiene marcas de pérdida, no lo toque. No abra ni dañe la batería. El electrolito liberado es corrosivo y puede causar daños a los ojos o a la piel. Para evitar lesiones, lleve la unidad a un centro de servicio para que sea reparada.

Instalación de la batería

1. Deslice la batería dentro del bastidor de la batería hasta que la traba de retención de la batería trabe la batería en su lugar (Fig. 18).
2. Vuelva a instalar la puerta enganchándola sobre la ranura de la base del bastidor de la batería. Cierre la puerta del bastidor de la batería hasta que las dos trabas se enganchen en su lugar.

Para lograr un mejor rendimiento

Cuando vuelva a instalar la batería:

- Inspeccione las terminales de la batería para verificar que no exista corrosión, y límpielas de ser necesario. Limpie las terminales con una almohadilla seca para restregar y seque con un paño seco. Nunca use líquidos para limpiar las terminales.
- Inspeccione la caja de la batería para verificar que no existan signos de daño, y cámbiela de ser necesario.

NOTA: Si usted limpia o cambia la batería, coloque una pequeña cantidad de grasa de conducción eléctrica sólo en las terminales. Puede adquirir esta grasa en cualquier negocio local de electrónica. No use grasa para automóvil ni para cojinetes.

Recicle el bloque de baterías

Si usted va a sacar la batería para cambiarla o para almacenarla, cubra las terminales del bloque de baterías con cinta eléctrica para tareas pesadas.




ADVERTENCIA: No intente destruir ni desarmar la batería ni quitar ninguno de sus componentes. Las baterías selladas de plomo y ácido deben ser recicladas o eliminadas en forma correcta. Nunca toque ambas terminales con objetos metálicos y partes de su cuerpo ya que puede ocurrir un corto circuito. Mantenga fuera del alcance de los niños. El no cumplir con estas advertencias puede causar lesiones personales graves y/o un incendio.

INSTRUCCIONES DE MANTENIMIENTO Y REPARACION

CAMBIO DEL CARGADOR

Cambie el cargador si está dañado, o si el conector cilíndrico o el cable se dañan, o el conector cilíndrico no se conecta bien a la unidad.



PRECAUCION: Use sólo el tipo de cargador indicado para esta unidad. Otro tipo de cargador puede dañar la unidad, las baterías y causar posibles lesiones.

Su recortador requiere un cargador de 12 voltios (791-182534) y una central de carga (791-180295). Las instrucciones de carga se refieren sólo a estas piezas.

1. Desenchufe el cargador del toma de la pared y saque la unidad de la central de carga.
2. Saque el tornillo de la abrazadera que sostiene el conector cilíndrico en su lugar con un destornillador común o de broca T-20 Torx (Fig. 19).
3. Saque el conector cilíndrico de la ranura y cambie el cargador si es necesario.
4. Inserte el lado estrecho del cable del conector cilíndrico en el surco de la ranura de la central de carga. Verifique que el conector esté seguro y bien insertado en la ranura (Fig. 19).
5. Vuelva a instalar la abrazadera y el tornillo.
6. Enchufe el cargador en el toma de la pared. Lea las instrucciones de carga en *Carga de la Unidad*.

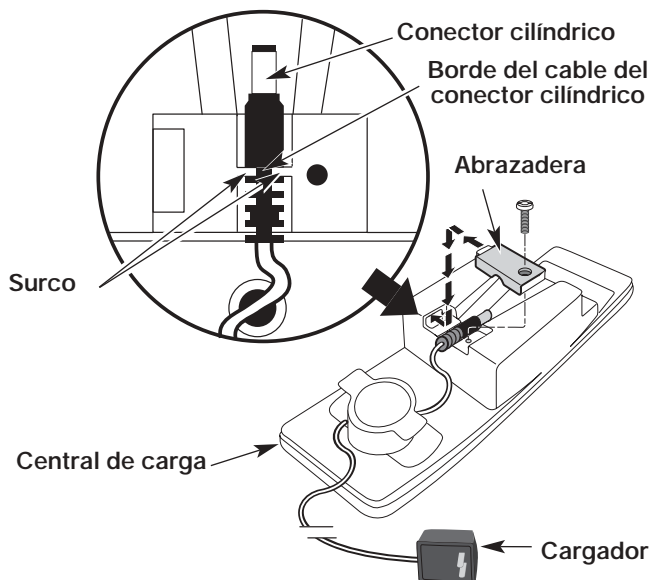


Fig. 19



ADVERTENCIA: Para evitar graves lesiones personales, verifique que la unidad esté apagada y desenchufada antes de limpiarla o de realizar cualquier tipo de mantenimiento.

LIMPIEZA DE LA UNIDAD

1. Apague la unidad y desconecte de la fuente de energía.
2. Use un cepillo pequeño o la descarga de aire del cepillo de un aspirador para mantener los respiraderos libres de obstrucciones.
3. No use detergentes fuertes en el bastidor o en los componentes de plástico. Estos pueden dañarse con ciertos limpiadores domésticos que contienen aceites aromáticos como pino y limón, y con solventes como el queroseno o acetona. La humedad también puede crear un peligro de descarga eléctrica. Seque toda la humedad con un paño suave.

ALMACENAMIENTO

- Guarde la unidad en interiores, lejos de la unidad y sustancias nocivas como fertilizantes y solventes.
- Guarde la unidad en interiores en un lugar seco y bajo llave, o en un lugar alto y seco con el fin de evitar su uso no autorizado o su daño, lejos del alcance de los niños.

ACCESORIOS/PIEZAS DE REPUESTO

Protector accesorio de corte	180293
Línea de repuesto	610375
Cartucho de línea de repuesto	180292
Resorte del carrete interior	180374
Cubierta de la cabeza percusiva	180376
Cargador	182534
Central de carga	180295
Bloque de baterías de 12 voltios	791-182391B

Puede adquirir estas piezas de repuesto para el en su distribuidor local autorizado.

RESOLUCION DE PROBLEMAS

EL MOTOR FUNCIONA LENTO O NO FUNCIONA

CAUSA

La batería no está cargada
El interruptor de protección de sobrecarga ha saltado

ACCIÓN

Cargue la batería, lea *Carga de la Unidad*
Reajuste el interruptor de protección de sobrecarga

LA BATERÍA NO SE CARGA

CAUSA

El cargador o la batería no reciben energía
La batería ha fallado

ACCIÓN

Inspeccione el cargador y la central de carga, lea *Carga de la Unidad*
Cambie la batería, lea *Cambio del bloque de baterías*

LA CABEZA DE CORTE NO AVANZA LÍNEA

CAUSA

La cabeza de corte está enredada con césped
La cabeza de corte no tiene línea
El carrete interior está atorado
La cabeza de corte está sucia
La línea se ha soldado
La línea se retorció al reponerla
No hay suficiente línea expuesta

ACCIÓN

Apague el motor y limpie el accesorio de corte
Coloque una nueva línea
Cambie el carrete interior
Limpie el carrete interior y bobina exterior
Desarme, saque la parte soldada y rebobine la línea
Desarme y rebobine la línea
Presione la perilla percusiva y tire de la línea hasta sacar 4 pulg. (102 mm) fuera del accesorio de corte

ESPECIFICACIONES

BATERÍA Y MOTOR

Motor	12 Voltios DC, 15 Amp.
Batería.....	Sellada de plomo y ácido, 12 voltios
Tubo bastidor de cables del motor	Tubo de aluminio
Peso de la unidad (Con la batería, el protector accesorio de corte y la manija en D).....	10.2 libras (4.63 kg.)
Mecanismo de corte	Cabeza percusiva
Diámetro de la bobina de línea	3 pulg. (76.2 mm)
Diámetro de la línea de corte	0.080 pulg. (2.03 mm.)
Diámetro de la trayectoria de corte	10 pulg. (254 mm)

NOTAS

NOTAS

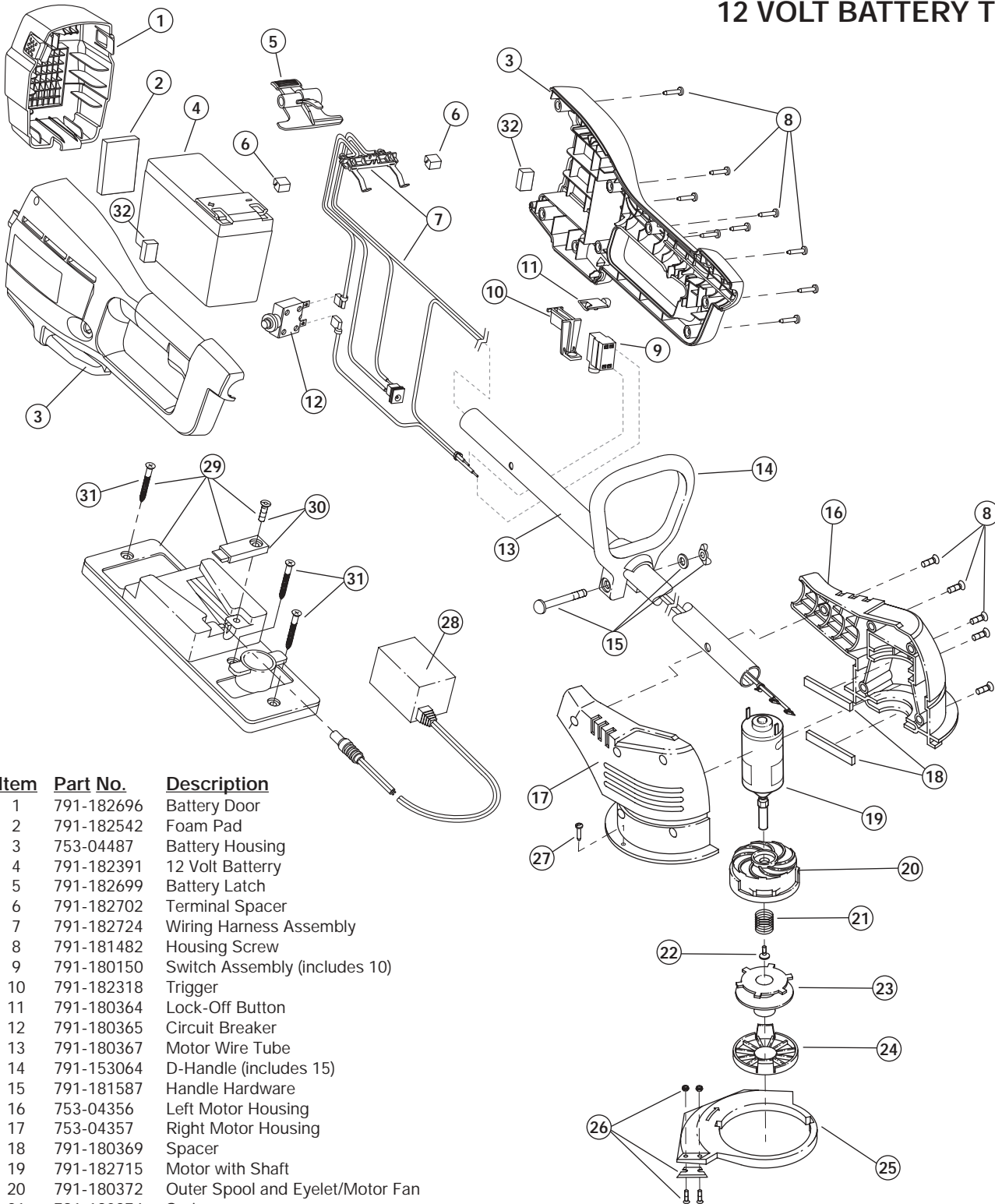
PARTS LIST



CAUTION: Only authorized service technicians should perform adjustments to double-insulated units.

PARTS LIST

REPLACEMENT PARTS—MODEL TB55B 12 VOLT BATTERY TRIMMER



Item	Part No.	Description
1	791-182696	Battery Door
2	791-182542	Foam Pad
3	753-04487	Battery Housing
4	791-182391	12 Volt Battery
5	791-182699	Battery Latch
6	791-182702	Terminal Spacer
7	791-182724	Wiring Harness Assembly
8	791-181482	Housing Screw
9	791-180150	Switch Assembly (includes 10)
10	791-182318	Trigger
11	791-180364	Lock-Off Button
12	791-180365	Circuit Breaker
13	791-180367	Motor Wire Tube
14	791-153064	D-Handle (includes 15)
15	791-181587	Handle Hardware
16	753-04356	Left Motor Housing
17	753-04357	Right Motor Housing
18	791-180369	Spacer
19	791-182715	Motor with Shaft
20	791-180372	Outer Spool and Eyelet/Motor Fan
21	791-180374	Spring
22	791-180375	Screw
23	791-180292B	Inner Reel with .080" Line
24	791-180376	Reel Cover
25	791-180293	Guard Assembly (includes 26)
26	791-180377	Blade Assembly
27	791-182469	Guard Screw
28	791-182534	12 Volt Charger
29	791-180295	Charging Station Stand (includes 30-31)

Item	Part No.	Description
30	791-180378	Barrel Clamp with Screw
31	791-182709	Mounting Screw
32	753-04007	Front Battery Pads

Optional Accessories

- * 791-610375 Replacement Line (.080 Diameter)
- * 791-180327 Bump Head Assembly (includes 20-24)

GARANTÍA LIMITADA DEL FABRICANTE PARA:



Troy-Bilt LLC concede la garantía limitada establecida debajo para mercancías nuevas que sean compradas y usadas en los Estados Unidos, sus posesiones y territorios.

Troy-Bilt LLC garantiza este producto contra defectos en el material y la mano de obra durante un período de dos (2) años, a partir de la fecha de compra original y a su entera discreción, arreglará o substituirá sin costo alguno cualquier pieza cuyo material o mano de obra se considere defectuoso. Esta garantía limitada se deberá aplicar únicamente si este producto ha sido manejado y mantenido de acuerdo al Manual del Operario incluido con el producto y, si no ha sido sometido a mal uso, abuso, uso comercial, negligencia, accidente, mantenimiento inapropiado, alteración, vandalismo, hurto, fuego, agua o daños debidos a otros riesgos o desastre natural. Los daños ocasionados por la instalación o el uso de cualquier accesorio o aditamento que no esté aprobado por Troy-Bilt y que sea usado con el (los) producto(s) contemplados en este manual, anularán la garantía con respecto a cualquier daño resultante. Esta garantía está limitada a noventa (90) días a partir de la fecha de compra original al detalle de cualquier producto Troy-Bilt que se use para alquiler, para propósitos comerciales o cualquier otro propósito que genere ingresos.

CÓMO OBTENER SERVICIO: El servicio de garantía está disponible A TRAVÉS DE SU DISTRIBUIDOR DE SERVICIO LOCAL AUTORIZADO, AL PRESENTAR EL COMPROBANTE DE COMPRA. Para localizar al distribuidor en su área, visite nuestro sitio en Internet en www.troybilt.com, busque el aviso clasificado en las Páginas Amarillas, llame al **1-800-520-5520** o escriba a Troy-Bilt LLC, PO Box 361131, Cleveland, OH 44136-0019.

Esta garantía limitada no ofrece cobertura en los siguientes casos:

- A. Sincronizaciones - bujías, ajustes de carburadores, filtros.
 - B. Artículos de desgaste, perillas percusivas, carretes externos, línea de corte, carretes internos, polea de arranque, cuerdas de arranque, correas motoras.
 - C. Troy-Bilt no le ofrece ninguna garantía a los productos que sean vendidos o exportados fuera de los Estados Unidos de América, sus posesiones y territorios, excepto aquellos que se vendan a través de los canales de distribución para exportación autorizados por Troy-Bilt.
- Troy-Bilt se reserva el derecho a cambiar o mejorar el diseño de cualquier producto Troy-Bilt, sin adoptar ninguna obligación para modificar cualquier producto fabricado con anterioridad.

Ninguna garantía implícita es aplicable después del período de aplicabilidad de la garantía expresa escrita con anterioridad, incluyendo cualquier garantía implícita de comerciabilidad o idoneidad para un propósito particular con respecto a las piezas identificadas. Exceptuando lo mencionado anteriormente, ninguna otra garantía expresa bien sea escrita o verbal con respecto a cualquier producto que sea concedida por cualquier persona o entidad, incluyendo al distribuidor o minorista, deberá comprometer a Troy-Bilt LLC durante el período de la Garantía, el remedio exclusivo es el arreglo o la sustitución del producto según lo establecido anteriormente. (Algunos estados no permiten limitaciones en cuanto al período de duración de una garantía implícita, de manera que puede que la limitación anterior no sea aplicable en su caso.)

Las estipulaciones establecidas en esta Garantía ofrecen la solución única y exclusiva que resulte de las ventas. Troy-Bilt no deberá ser responsable de pérdidas o daños incidentales o consecuentes que incluyan, sin limitación, gastos incurridos debido a la sustitución de servicios de mantenimiento de prados, transporte o gastos relacionados, o gastos de alquiler para reemplazar temporalmente un producto bajo garantía. (Algunos estados no permiten limitaciones en cuanto al período de duración de una garantía implícita, de manera que puede que la limitación anterior no sea aplicable en su caso.)

Ningún tipo de recuperación deberá ser superior al precio de compra del producto vendido, en ningún caso. La alteración de las características de seguridad del producto deberá anular esta Garantía. Usted adopta el riesgo y la obligación de la pérdida, daño o lesión en su persona o a su propiedad y/o la de otras personas y sus propiedades, que se origine a raíz del uso o mal uso, o la incompetencia para usar el producto.

Esta garantía limitada no deberá cubrir a ninguna otra persona distinta al comprador original, arrendatario original, o la persona para la cual se compró en calidad de regalo.

Relación de las leyes estatales con esta Garantía: Esta garantía le confiere derechos legales específicos, y puede que usted también tenga otros derechos, los cuales varían en cada estado.

Para localizar al distribuidor de servicio local más cercano, marque el número **1-800-520-5520**.

Troy-Bilt LLC

PO Box 361131

Cleveland, OH 44136-0019

Free Manuals Download Website

<http://myh66.com>

<http://usermanuals.us>

<http://www.somanuals.com>

<http://www.4manuals.cc>

<http://www.manual-lib.com>

<http://www.404manual.com>

<http://www.luxmanual.com>

<http://aubethermostatmanual.com>

Golf course search by state

<http://golfingnear.com>

Email search by domain

<http://emailbydomain.com>

Auto manuals search

<http://auto.somanuals.com>

TV manuals search

<http://tv.somanuals.com>