

# True Fitness Service Manual

## Exercise Bicycles

**500R, 500U**

**600R, 600U**

**750R, 750U**

True fitness technology, Inc. makes no representations or warranties regarding the contents of this manual. We reserve the right to revise this document at any time or to make changes to the product described within it without notice or obligation to notify any person of such revisions or changes.

© 2004, True Fitness, Inc. All rights reserved. Printed in the United States of America.

865 Hoff Road. O'Fallon, MO 63366. 1-800-426-6570. Fax 636-272-3026.

[www.truefitness.com](http://www.truefitness.com)

Revision 9/2004

# Recommended Tool List

Technicians will need at minimum the tools listed below to work on the True Fitness equipment covered by these procedures.

## **Electrical Tools**

A multi meter capable of testing voltage, amperage, resistance and continuity.

Outlet tester with a grounding indicator.

Wire stripper, cutter and crimper.

Flashlight

## **Mechanical Tools**

Screwdrivers:

#1 Phillips, #2 Phillips, large flat blade, small flat blade, short handled flat blade.

Metric hex-key (Allen wrench) set.

Metric socket set and ratchet with 6mm to 19mm sizes and 21mm and 34mm sizes.

Metric combination wrenches with 4mm to 21mm sizes and a 27mm EI crank.

Snap ring pliers, both internal and external.

Rubber mallet.

Channel lock pliers or standard pliers with a jaw opening of 2 9/16" for use in removing and tightening sleeve nuts.

Needle nose pliers.

Crescent wrench



## **Special Tool**

Bicycle crank puller  
Park Tool USA CCP-2

# **True Fitness Bicycle Service Manual**

# **START**

**❖ Symptom guide**

**❖ Wiring Diagrams**

**❖ Parts Manual**

**❖ Removal and Replacement Procedures**

**D  
I  
A  
G  
N  
O  
S  
T  
I  
C  
S**

**To Enter Diagnostic Mode**

- Press and hold the “Start” key as you begin pedaling.
- Continue pedaling throughout the test.

-----

**Console / Display Output**

- Press “Enter” key – initiates the second LED function test.
- Press “Enter” key again –all LED’s should be on.

-----

**RPM**

- Press “Enter” key – RPM’s displayed in the far right window.

-----

**Console Key Input**

- Press “Enter” key –A beep should sound when each key is pressed.

-----

**Contact Heart Rate**

- Press “Enter” key. Hold both handle pick-ups. Heart symbol will flash and readout will display.

-----

**DA (Resistance)**

- Press “Enter” key – Press + to increase resistance and – to decrease resistance.

**Exit Diagnostics**

- To quit diagnostics press “Enter” key or stop pedaling and the unit will reset.

# **SYMPTOM GUIDE**

## **500U, 500R**

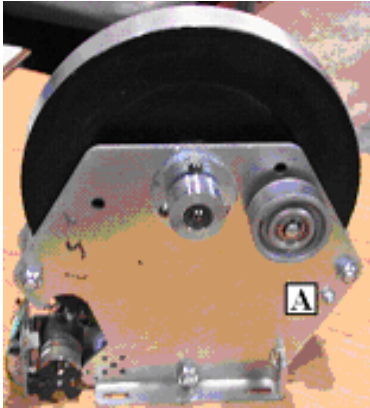
- ❑ **ECB Malfunction** ..... Page 4
- ❑ **Irregular or No Display** ..... Page 5
- ❑ **No RPM Reading** ..... Page 6
- ❑ **No Polar Heart Rate** ..... Page 7

## **600U, 600R**

- ❑ **Irregular or No Display** ..... Page 8
- ❑ **No RPM Reading** ..... Page 9
- ❑ **No Contact Heart Rate** ..... Page 10
- ❑ **Handle Bar Buttons  
Do Not Function** ..... Page 11

## **750U, 750R**

- ❑ **No Resistance** ..... Page 12
- ❑ **Heavy Resistance** ..... Page 13
- ❑ **Irregular or No Display** ..... Page 14
- ❑ **No Contact Heart Rate** ..... Page 15
- ❑ **No Polar Heart Rate** ..... Page 16

Symptom	Probable Cause	Corrective Action
<b>ECB MALFUNCTION 500R, 500U</b>	<b>Control Panel</b>	<ul style="list-style-type: none"> <li>• Power on unit. Check for 5VDC between pins 1 and 2. (<b>Page 18</b>)</li> <li>• No 5VDC? Replace control panel.</li> <li>• Check for 6VDC or more between pins 5 and 6 of 6PA while issuing a resistance command.</li> <li>• No 6VDC or more? Replace control panel.</li> </ul> <p style="text-align: center;">-----</p>
	<b>Defective Cables</b>	<ul style="list-style-type: none"> <li>• Perform continuity check on upper section and lower section cables.</li> <li>• Replace broken cables.</li> </ul> <p style="text-align: center;">-----</p>
	<b>Defective ECB Control Board</b>	<ul style="list-style-type: none"> <li>• If cables test OK and voltage is correct on 5 &amp; 6 pins – replace ECB board</li> <li>• If ECB does not fix- connect 6PA and 6PB.</li> </ul> <p style="text-align: center;">-----</p>
	<b>Optical Sensor</b>	<ul style="list-style-type: none"> <li>• Check DC volts between pins 2 and 3. Rotate blades of the motor shaft, voltage should shift from 0 VDC and 5VDC. If voltage does not shift- replace EC B Board</li> </ul>
	<b>DC Motor</b>	<ul style="list-style-type: none"> <li>• Check for 6 VDC or more between pins 5&amp;6 on 6 pin PBA @ ECB board connection. If &gt;6 VDC exists but motor doesn't rotate, replace motor.</li> </ul> <p style="text-align: center;">-----</p>
	<b>ECB Limit Switch</b>  <b>Loud Continuous Tone from lower board (ECB board)</b>	<ul style="list-style-type: none"> <li>• Check continuity between pins 2 and 4 of 6PB. Press lower limit switch.</li> <li>• If no continuity shift- replace ECB limit switch assembly.</li> </ul> <p style="text-align: center;">-----</p> <ul style="list-style-type: none"> <li>• The loud continuous tone is a safety feature designed to protect the ECB motor. If the motor binds and cannot move the ECB board will divert the power from the motor to a speaker that emits this tone. If you have the continuous tone check to see if the motor is bound.</li> </ul> <p>Check the front pivot point <b>A</b> for the magnet bar and loosen the bolt to allow for the motor to freely move the magnet bar.</p> <div style="text-align: center;">  </div>

Symptom	Probable Cause	Corrective Action	Recommended Tools
<b>IRREGULAR OR NO DISPLAY 500R, 500U</b>	<b>DC Adaptor</b>	<ul style="list-style-type: none"> <li>• Connect DC Adaptor to 110 VAC power supply.</li> <li>• Look for printed output on adapters label. If greater than 9 VDC computer board may be damaged.</li> <li>• Test for 9VDC output. If not 9 VDC then replace adaptor.</li> </ul> <p>-----</p>	Multi-meter
	<b>Adapter Plug or Jack</b>	<ul style="list-style-type: none"> <li>• Connect DC plug to Bike. Does it seat into the socket properly? If not- replace adapter or jack.</li> </ul> <p>-----</p>	
	<b>Control Panel</b>	<ul style="list-style-type: none"> <li>• Check DC voltage between pins 2 and 4 for 9 VDC on 5PB. (<b>Page 18</b>)</li> <li>• If 9 VDC is found replace the Control Panel.</li> </ul> <p>-----</p>	
	<b>Cables</b>	<ul style="list-style-type: none"> <li>• Perform continuity checks on all upper and lower cables.</li> <li>• Replace defective cables.</li> <li>• If cables OK- replace DC Jack.</li> </ul>	

Symptom	Probable Cause	Corrective Action	Recommended Tools
<b>NO RPM READING 500R, 500U</b>	<b>Control Panel/ RPM Sensor</b>	<ul style="list-style-type: none"> <li>• Disconnect 5PA from 5PB. Set meter to check continuity between 2 and 5 of 5PB. (See <b>Page 18</b>)</li> <li>• Turn pedals slowly, check continuity between 2 and 5 of 5PB.</li> <li>• Does continuity change from off to on?</li> <li>• If yes – cables and sensor are good – Replace Control Panel.</li> <li>• If no – Go to Defective RPM Set.</li> </ul> <div style="border: 1px solid black; padding: 5px; margin: 10px auto; width: fit-content;"> <p>When the sensor is over the pickup, continuity will exist. When sensor is not over pickup, circuit will be open.</p> </div> <p style="text-align: center;">-----</p>	Multi-meter
	<b>Defective Cables</b>	<p style="text-align: center;">-----</p> <ul style="list-style-type: none"> <li>• Perform continuity checks on all upper and lower cables.</li> <li>• Replace defective cables.</li> </ul> <p style="text-align: center;">-----</p>	
	<b>Defective RPM Sensor Set</b>	<ul style="list-style-type: none"> <li>• If cables OK- Replace RPM sensor set.</li> </ul>	





Symptom	Probable Cause	Corrective Action	Recommended Tools
<b>IRREGULAR OR NO DISPLAY 600R, 600U</b>	<b>Control Panel</b>	<ul style="list-style-type: none"> <li>Probe leads between pin 1 and 2 of 5PB. (Page 19-20)</li> <li>Pedal unit up to at least 30 RPM.</li> <li>Is voltage 5 VDC?</li> <li>If not 5 VDC – replace Control Panel.</li> </ul> <p style="text-align: center;">-----</p>	Multi-meter
	<b>Control Board</b>	<ul style="list-style-type: none"> <li>Disconnect 6PG from 6PH.</li> <li>Pedal.</li> <li>Check DC voltage between pins 2 and 3 for 5 VDC.</li> <li>No 5 VDC? – Replace Control Board.</li> </ul> <p style="text-align: center;">-----</p>	
	<b>Cables</b>	<ul style="list-style-type: none"> <li>Perform continuity checks on all upper and lower cables.</li> <li>Replace defective cables</li> </ul> <p style="text-align: center;">-----</p>	
	<b>AC Voltage Output</b>	<ul style="list-style-type: none"> <li>Check for AC Voltage between pins 1 and 2 of 3PB, and pins 2 and 3 of 3PB.</li> <li>Is there AC voltage output in both places?</li> <li>If yes – replace Control Board.</li> <li>Check for AC Voltage between pins 1 and 2 of 3PD, and pins 2 and 3 of 3PD.</li> <li>Is there AC voltage output in both places?</li> <li>If no – replace Generator.</li> </ul> <p style="text-align: center;">-----</p>	
	<b>Generator Output Cable</b>	<ul style="list-style-type: none"> <li>Perform a continuity check on the generator output cable.</li> <li>If no continuity – replace cable</li> </ul>	



Symptom	Probable Cause	Corrective Action	Recommended Tools
<b>NO CONTACT HEART RATE 600R, 600U</b>	<b>Control Panel</b>	<ul style="list-style-type: none"> <li>• Disconnect 7P6A and 7P6B from control panel. 600U (<b>Page 19</b>) 600R (<b>Page 20</b>). Check continuity between 7P6B and handle mounted heart rate sensor plates of the following:   HRRR and pin 6 of 7P6B  HRRL and pin 5 of 7P6B  HRLR and pin 2 of 7P6B  HRLR and pin 1 of 7P6B</li> <li>• Is there continuity?</li> <li>• If yes – replace computer.</li> <li>• If No- continue to the next step</li> </ul> <p style="text-align: center;">-----</p>	Multi-meter
	<b>Defective Cables</b>	<ul style="list-style-type: none"> <li>• Perform a contact and continuity check on cable 600 12P, 600 12P coils upper cables and the handle cables.</li> <li>• Are cables OK? If No- Replace defective cables. If Yes- continue on to the next step.</li> </ul> <p style="text-align: center;">-----</p>	
	<b>Defective Handles</b>	<ul style="list-style-type: none"> <li>• Remove and carefully check all connections to the contact plates.</li> <li>• Reconnect loose connections.</li> <li>• If connections OK – Replace handles.</li> </ul>	







Symptom	Probable Cause	Corrective Action	Recommended Tools
<b>No Display 750U, 750R</b>	<b>Console Set</b>	<ul style="list-style-type: none"> <li>Remove console set bolts. Verify good connection at the back of the console set. Set meter for DC volts</li> <li>Pedal.</li> <li>Measure between #1 and #4 wires (<b>Page 21</b>) for 5.5 – 7.5 VDC.</li> <li>Is required voltage present?</li> <li>If yes- replace console set. If not, continue on.</li> </ul> <p style="text-align: center;">-----</p>	<p style="text-align: center;"><b>Note:</b></p> <div style="border: 1px solid black; padding: 5px; margin: 5px auto; width: 80%;"> <p>You must pedal at least 30 RPM when performing any voltage test. You may require the assistance of another person when performing voltage checks.</p> </div>
	<b>Brake</b>	<ul style="list-style-type: none"> <li>Remove pedal and if 3 piece crank remove crank arm.</li> <li>Remove right side cover.</li> <li>Disconnect 3- wire connector at brake.</li> <li>Set meter for AC volts.</li> <li>Pedal.</li> <li>The voltage should increase as pedaling increases.</li> <li>Is minimum voltage 9 VAC @ 30 RPM?</li> <li>If No- replace Brake. If yes, continue on.</li> </ul> <p style="text-align: center;">-----</p>	<p>Multi-meter</p>
	<b>Defective Cable</b>	<ul style="list-style-type: none"> <li>Remove pedal and if 3 piece crank remove crank arm.</li> <li>Remove right side cover.</li> <li>Disconnect 3- wire cable from brake and lower control board.</li> <li>Set meter for continuity.</li> <li>Check all 3 wires in cable for continuity.</li> <li>No continuity? Replace cable</li> </ul> <p style="text-align: center;">-----</p>	
	<b>Console Cable/ Lower Control Board</b>	<ul style="list-style-type: none"> <li>Set meter for DC volts. Reconnect cable to brake and lower control board.</li> <li>Pedal.</li> <li>Measure for 5.5 – 7.5 VDC between #1 and #4 wires on 7- pin cable for the console at the lower control board.</li> <li>Voltage is present? Replace cable for console.</li> <li>Voltage not present? Replace lower control board.</li> </ul>	



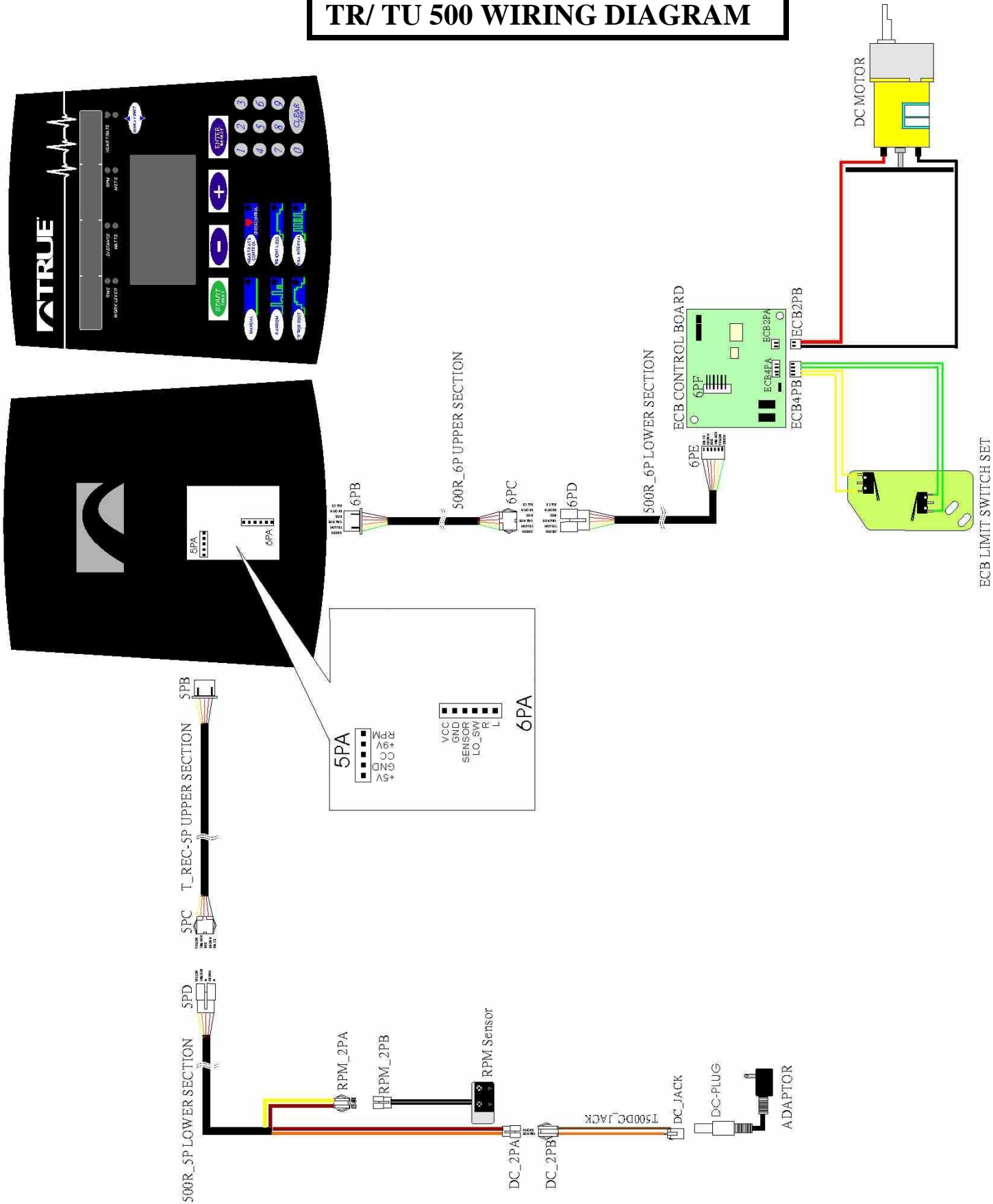




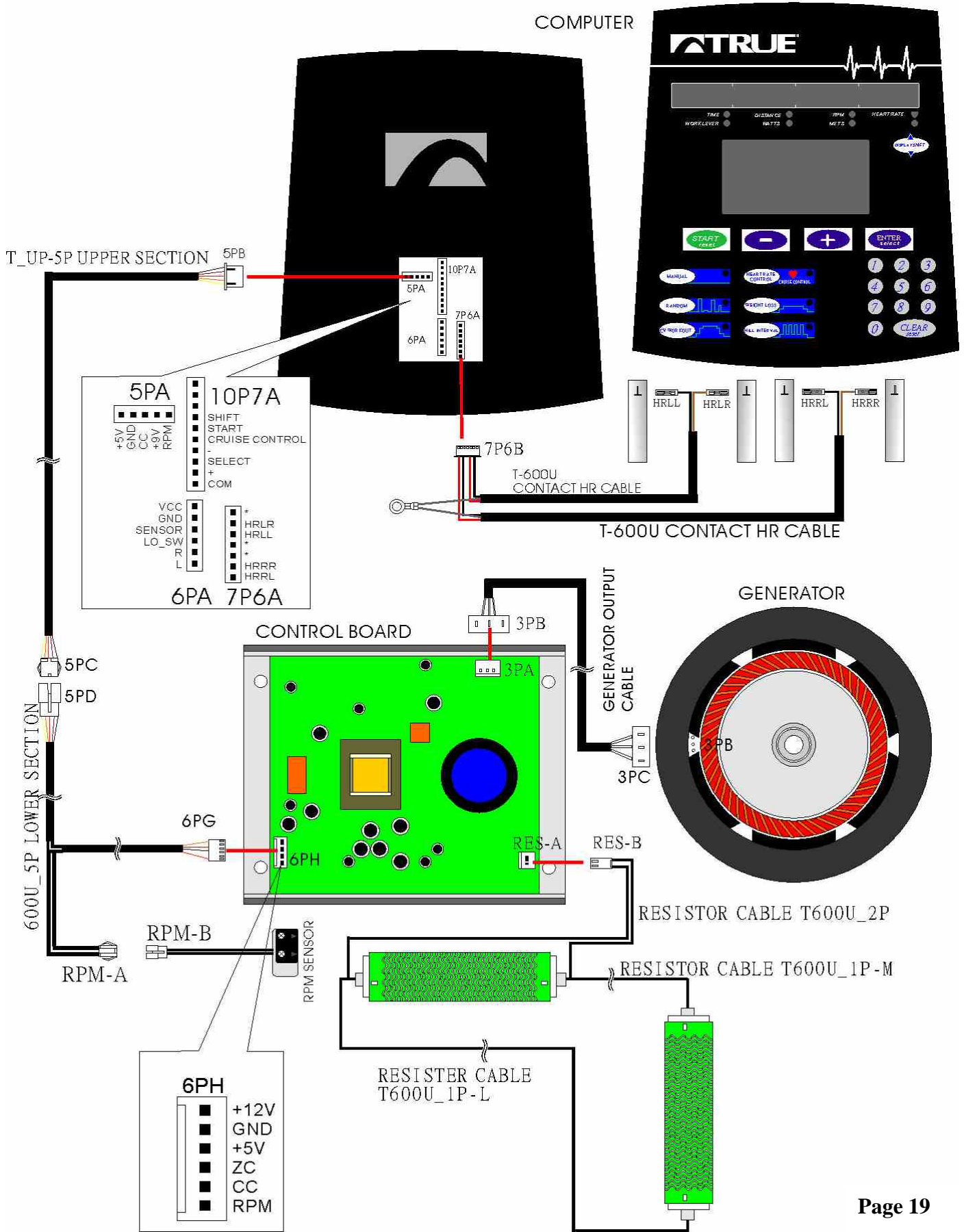
# **WIRING DIAGRAMS**

<b>❖ TR / TU 500</b>	<b>Page 18</b>
<b>❖ 600 U</b>	<b>Page 19</b>
<b>❖ 600 R</b>	<b>Page 20</b>
<b>❖ TR/TU 750</b>	<b>Page 21</b>

# TR/ TU 500 WIRING DIAGRAM

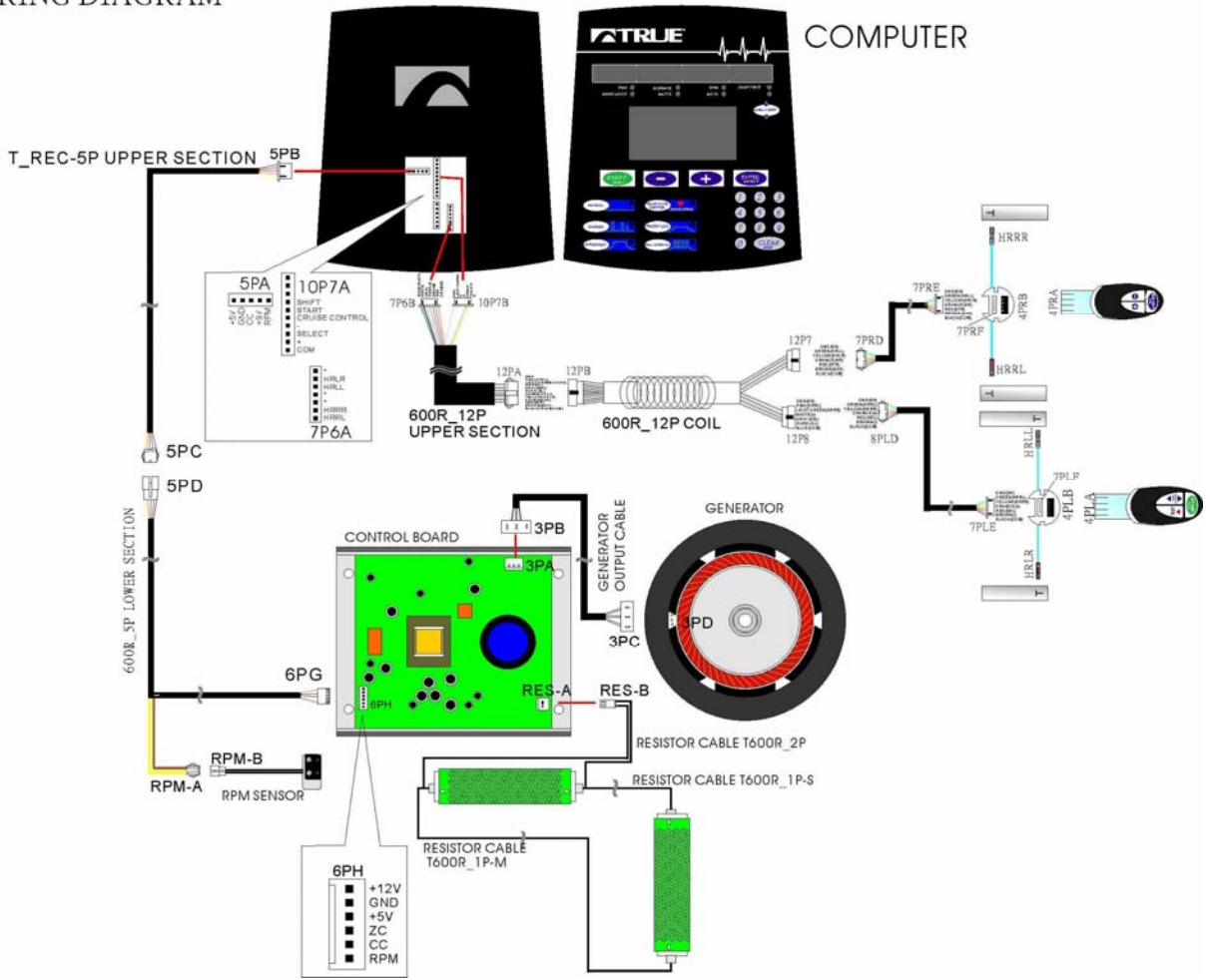


# TU 600 WIRING DIAGRAM



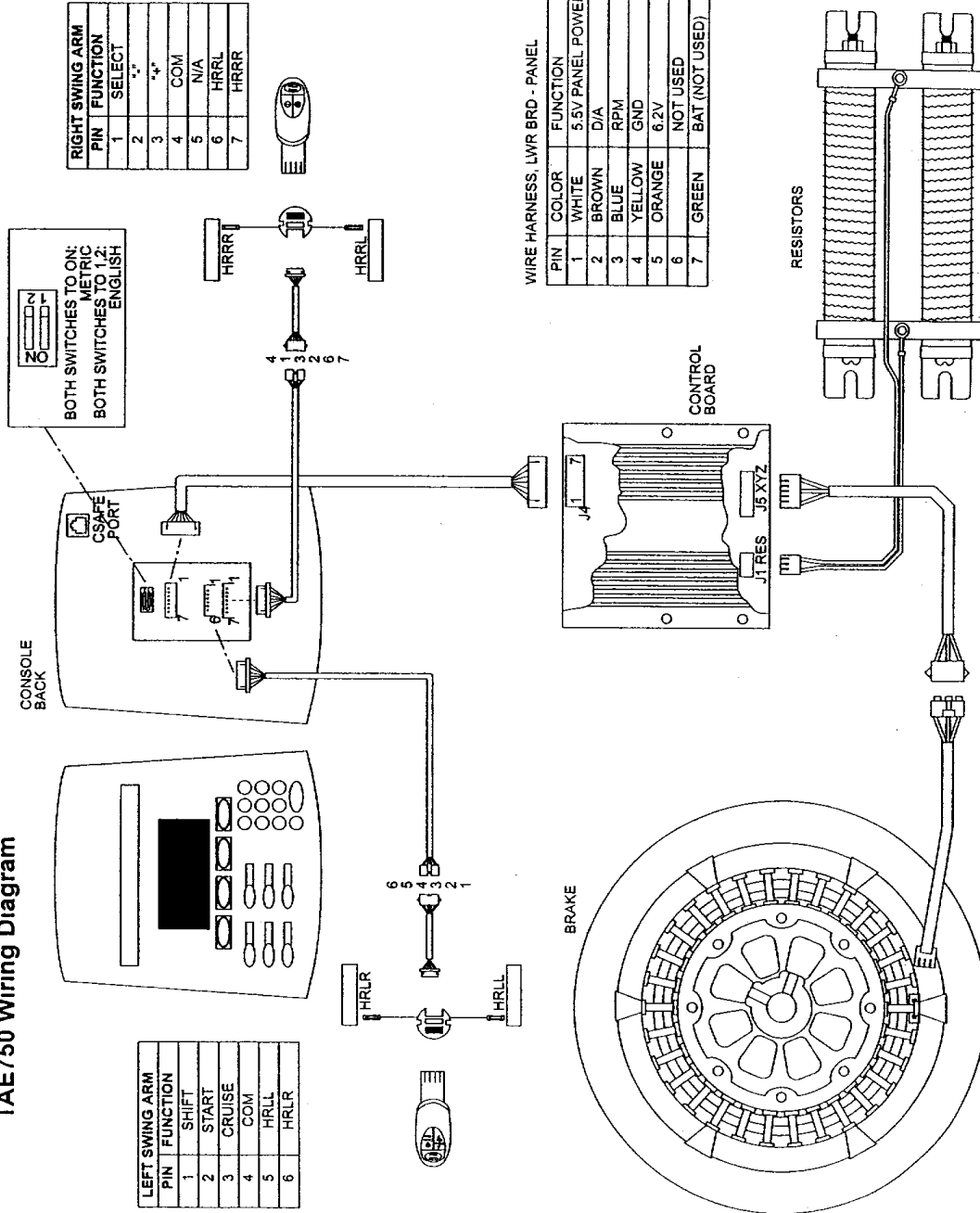
# TR 600 WIRING DIAGRAM

TRUE600R WIRING DIAGRAM



# TR/ TU 750 WIRING DIAGRAM

**fAE750 Wiring Diagram**



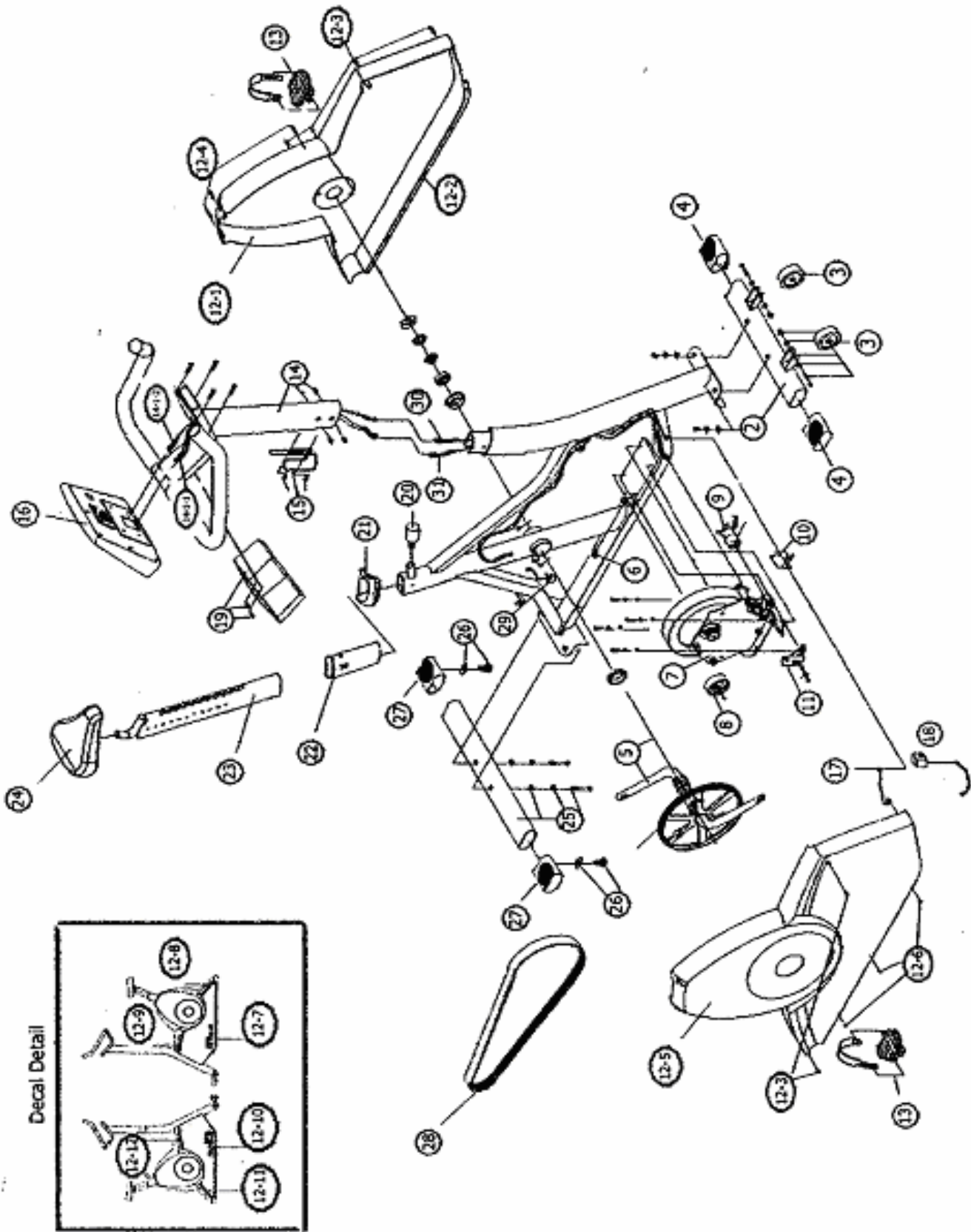




# **True Upright Bike 500**

# **True Recumbent Bike 500**

<b>❖ TU 500 Exploded Diagram</b>	<b>Pg 22</b>
<b>❖ TU 500 Parts List</b>	<b>Pg 23</b>
<b>❖ TR 500 Exploded Diagram</b>	<b>Pg 25</b>
<b>❖ TR 500 Parts List</b>	<b>Pg 26</b>



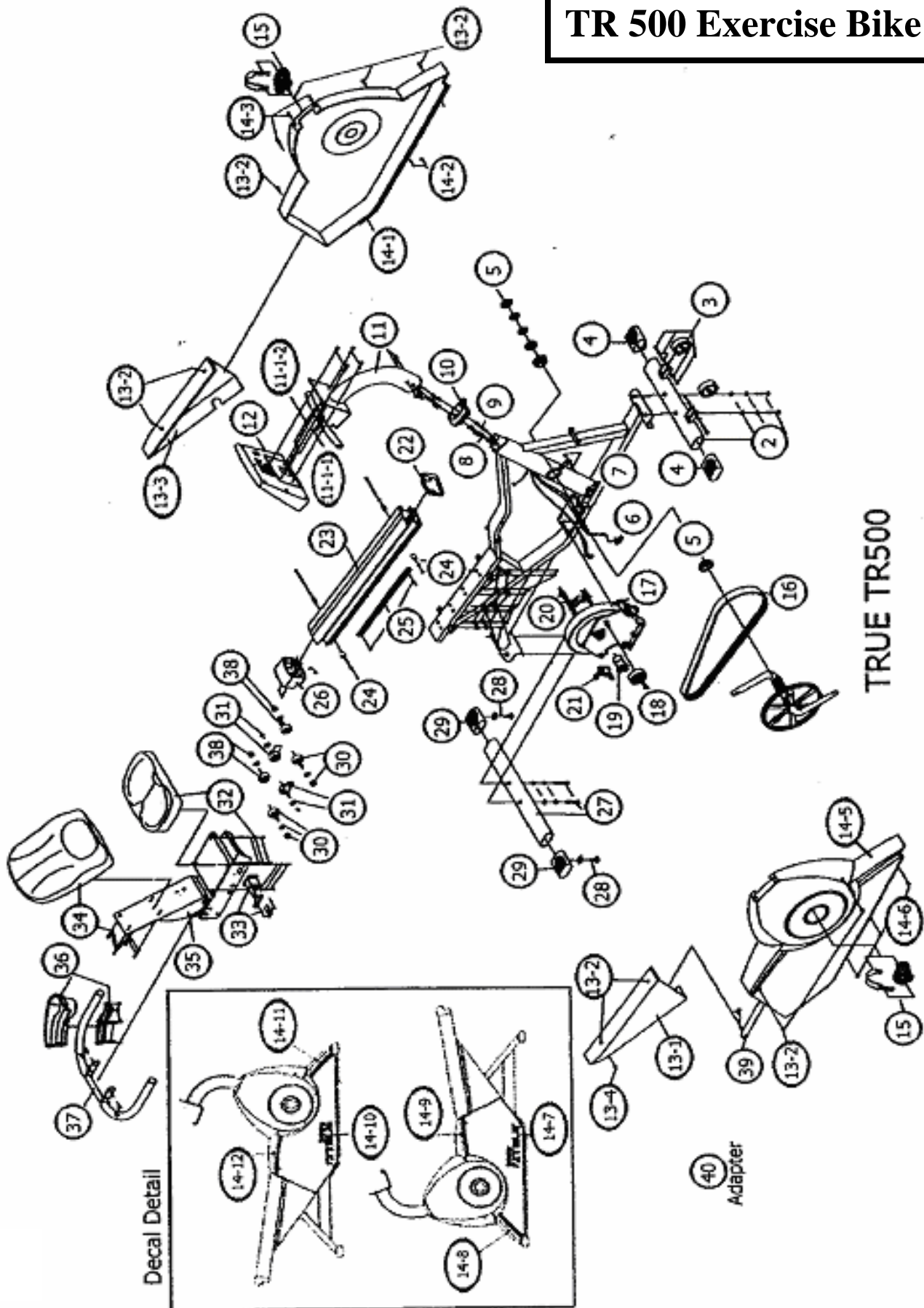
TRUE TU500

## TU 500 EXERCISE BIKE

REF. #	PART #	DESCRIPTION	QTY
2	7T010800	FRONT STABILIZER WITH BOLTS	1 SET
3	7T000200	TRANSPORTATION WHEEL HIT	1 SET
4	7T000300	FRONT STABILIZER END CAP	2 PCS
5	7T000400	CRANK PULLEY WITH CAPS AND BEARINGS	1 SET
6	7T000600	BOLT BELT TENSION	1 PC
7	7T010900	BRAKE ASSY	1 SET
8	7T001700	ALUMINUM IDLER ASSY	1 SET
9	7T001800	ECB DC MOTOR WITH SCREWS	1 SET
10	7T002000	ECB CONTROL BOARD WITH SCREWS	1 SET
11	7T001900	ECB LIMIT SWITCH WITH SCREWS	1 SET
^12- 1	7T011000	LEFT SHROUD WITH DECALS	1 SET
^12- 2	7T001302	SCREW	1 PC
^12- 3	7T001202	SCREW	6 PCS.
^12- 4	7T001303	SCREW	3 PCS.
^12- 5	7T011100	RIGHT SHROUD WITH DECAL	1 SET
^12- 6	7T001306	HEX NUT SIDE COVER	3 PCS.
^12- 7	7T011200	DECAL---WHITE---RIGHT	1 PC
^12- 8	7T001311	SHROUD DECAL B WHITE	1 PC
^12- 9	7T001312	SHROUD DECAL D WHITE	1 PC
^12- 10	7T011300	DECAL---WHITE---LEFT	1 PC
^12- 11	7T001308	SHROUD DECAL-A WHITE	1 PC
^12- 12	7T001309	SHROUD DECAL C WHITE	1 PC
13	7T001400	PEDALSET WITH STRAPS	1 SET
14	7T004000	HANDLE BAR 6 PIN WITH BOLTS	1 SET
14- 1-1	7T004001	CABLE ASSY 6 PIN UPPER	1 PC.
14- 1-2	7T004002	CABEL ASSY 5 PIN UPPER	1 PC.
15	7T004100	BOTTLE CAGE WITH SCREWS	1 SET
16	7T001100	COMPUTER WITH SCREWS	1 SET
17	7T003800	DC JACK	1 PC
18	7T003900	ADAPTER 9VDC 1.2A	1 PC
19	7T004200	CD PLAYER HOLDER WITH SCREWS	1 SET
20	7T004300	SEAT ADJUSTING KNOB	1 PC
21	7T000900	SHROUD TRIM CAP	1 PC
22	7T004400	SEAT POST SLEAVE	1 PC
23	7T004500	SEAT POST	1 PC
24	7T004600	SADDLE WITH CLAMP	1 PC

25	7T002600	REAR STABILIZER WITH BOLTS	1 SET
26	7T002700	ADJUSTING STAND KIT	1 SET
27	7T002800	REAR STABILIZER END CAP	2 PCS
28	7T012700	POLY V BELT	1 PC
29	7T005800	RPM SENSOR WITH WIRE AND NUT	1 SET
30	7T004700	CABLE ASSY 5 PIN LOWER SPEED SENSE	1 PC
31	7T004800	CABLE ASSY 6 PIN LOWER SECTION	1 PC
	7T013000	MODEL DECAL SILVER	1 SET
	7T012901	DECAL A SILVER	1 PC
	7T012902	DECAL B SILVER	1 PC
	7T012903	DECAL C SILVER	1 PC
	7T012904	DECAL D SILVER	1 PC
	7TU50100	ASSY HDW. KIT	1 SET
	7TU50200	COMPUTER SCREW KIT	1 SET
	7TU60200	FRONT STABILIZER HDW. KIT	1 SET
	7TU60500	HANDLE BAR HDW. KIT	1 SET
	7TU60600	CD HOLDER HDW. KIT	1 SET
	7TU60700	TOOL KIT	1 SET
	7TU60300	REAR STABILIZER HDW KIT	1 SET

# TR 500 Exercise Bike



# TR 500

REF #	PART#	DESCRIPTION	QTY.
02	7T000100	Front Stabilizer w/Bolts	1 SET
03	7T000200	Transportation Wheel Kit	1 SET
04	7T000300	Front Stabilizer End Cap	2 PCS
05	7T000400	Crank Pulley w/E Caps & Bearings	1 SET
06	7T005800	RPM Sensor w/Wire & Nut	1 SET
07	7T000600	Bolt - Belt Tension	1 PC
08	7T000700	Cable Assembly - 6 Pin Lower	1 PC
09	7T000800	Cable Assembly - 5 Pin Lower	1 PC
10	7T000900	Shroud Trim Cap	1 PC
11	7T001000	Console Mast Set	1 SET
11-1-1	7T001001	Cable Assy, 6 Pin Upper	1 PC
11-1-2	7T004700	Cable Assy, 5 Pin Upper	1 PC
12	7T001100	Computer Set	1 SET
13-1	7T001201	Rear Shroud - Right	1 PC
13-2	7T001202	Screw, Sidecover	10 PCS
13-3	7T001203	Rear Shroud - Left	1 PC
13-4	7T001204	Screw, Rear Cover	1 PC
14-1	7T001301	500R Shroud - Left Complete w/ Model Decal and Shroud Decals	1 SET
14-2	7T001302	Screw - Side Cover	1 PC
14-3	7T001303	Screw	3 PCS
14-5	7T001305	500R Shroud - Right Complete w/ Model Decal and Shroud Decals	1 PC
14-6	7T001306	Hex Nut - Side Cover	3 PCS
14-7	7T001307	Model Decal for 500R - Left (Wht)	1 PC
14-8	7T001308	Shroud Decal - A (Wht)	1 PC
14-9	7T001309	Shroud Decal - C (Wht)	1 PC
14-10	7T001310	Model Decal for 500R - Right (Wht)	1 PC
14-11	7T001311	Shroud Decal - B (Wht)	1 PC
14-12	7T001312	Shroud Decal - D (Wht)	1 PC
15	7T001400	Pedal Set w/Straps	1 SET
16	7T001500	Poly-v Belt	1 PC
17	7T010700	TR500 Brake Assy	1 SET
18	7T001700	Aluminum Idler Assembly	1 SET
19	7T001800	ECB DC Motor w/Screws	1 SET
20	7T001900	ECB Limit Switch w/Screws	1 SET
21	7T002000	ECB Control Board w/Screws	1 SET
22	7T002100	Aluminum Rail Trim Cap	1 PC
23	7T002200	Aluminum Rail w/Bolts	1 SET
24	7T002300	Stopper Kit	1 SET
25	7T002400	Fore and Aft Adjusting Rack w/Bolts	1 SET

26	7T002500	Transportation Handle Set w/Screws	1	SET
27	7T002600	Rear Stabilizer w/Bolts	1	SET
28	7T002700	Adjusting Stand Kit	1	SET
29	7T002800	Rear Stabilizer End Cap	2	PCS
30	7T002900	Roller Set (A) Rt Ft & RR	2	SET
31	7T003000	Roller Set (B) Center	2	SET
32	7T003100	Seat Bottom w/Bolts	1	SET
33	7T003200	Fore and Aft Adjusting Lever w/Bolts	1	SET
34	7T003300	Seatback w/Bolts	1	SET
35	7T003400	Seat Shuttle	1	SET
36	7T003500	Bottle Holder w/Screws	1	SET
37	7T003600	Rear Handlebar w/Bolts	1	SET
38	7T003700	Roller Set (C) LH, Ft & RR	2	SET
39	7T003800	DC Jack	1	PC
40	7T003900	Adapter 9vdc1.2a	1	PC
	7T013000	Model Decal		
	7T012901	Decal A		
	7T012902	Decal B		
	7T012903	Decal C		
	7T012904	Decal D		
	7T012800	Pneumatic Cylinder/Seat Back		
	7TR50100	Assy Hdw Kit		
	7TR50200	Ft/RR Stabilizer Hdw Kit		
	7TR50300	H/Bar Hdw Kit		
	7TR50400	Bottle Holder Hdw Kit		
	7TU60700	Tool Kit		



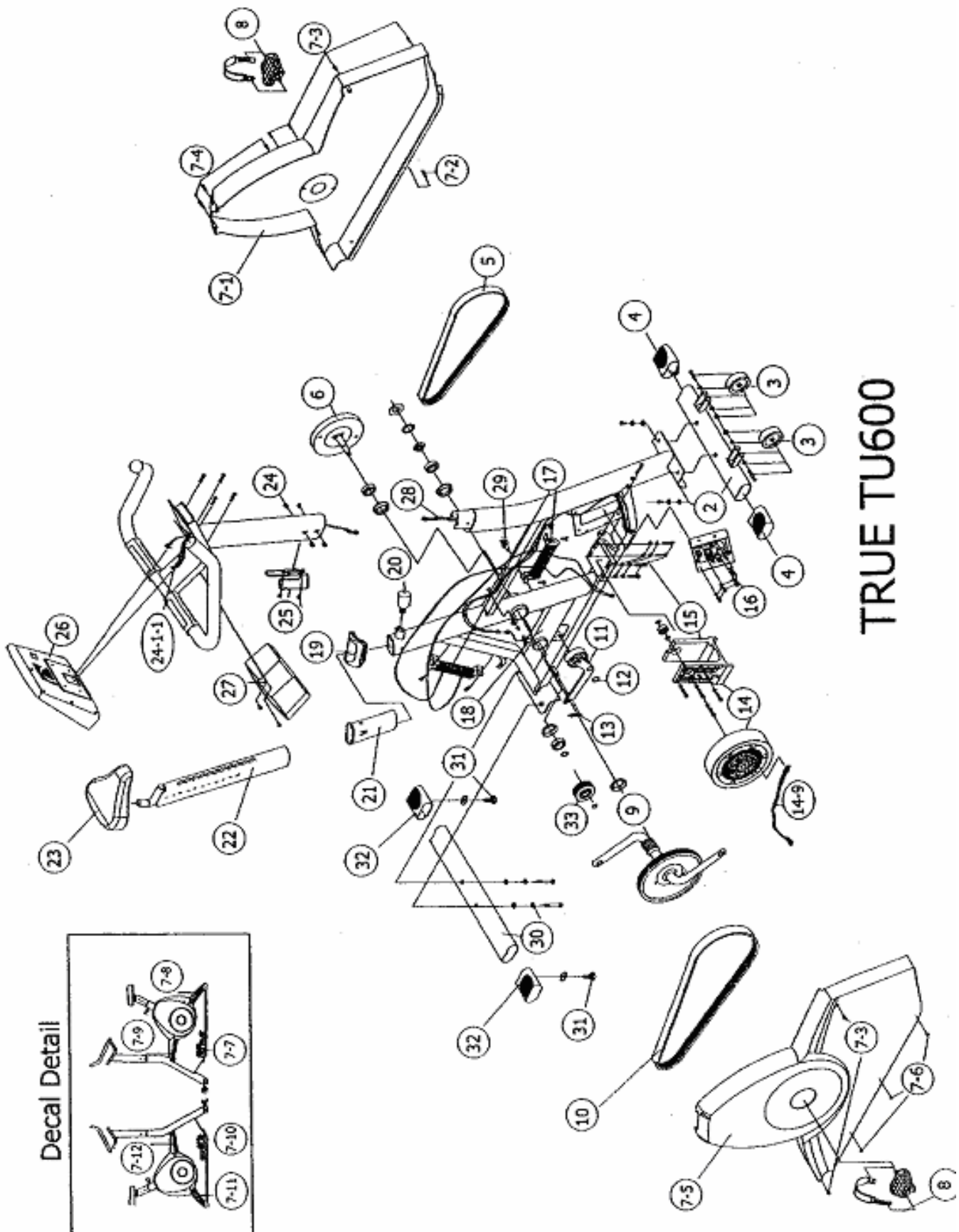


# **True Upright Bike 600 True Recumbent Bike 600**

- ❖ TU 600 Exploded Diagram Pg- 29**
- ❖ TU 600 Parts List Pg- 30**
- ❖ TR 600 Exploded Diagram Pg- 32**
- ❖ TR 600 Parts List Pg- 33**

# TU 600 PARTS DIAGRAM

TRUE TU600

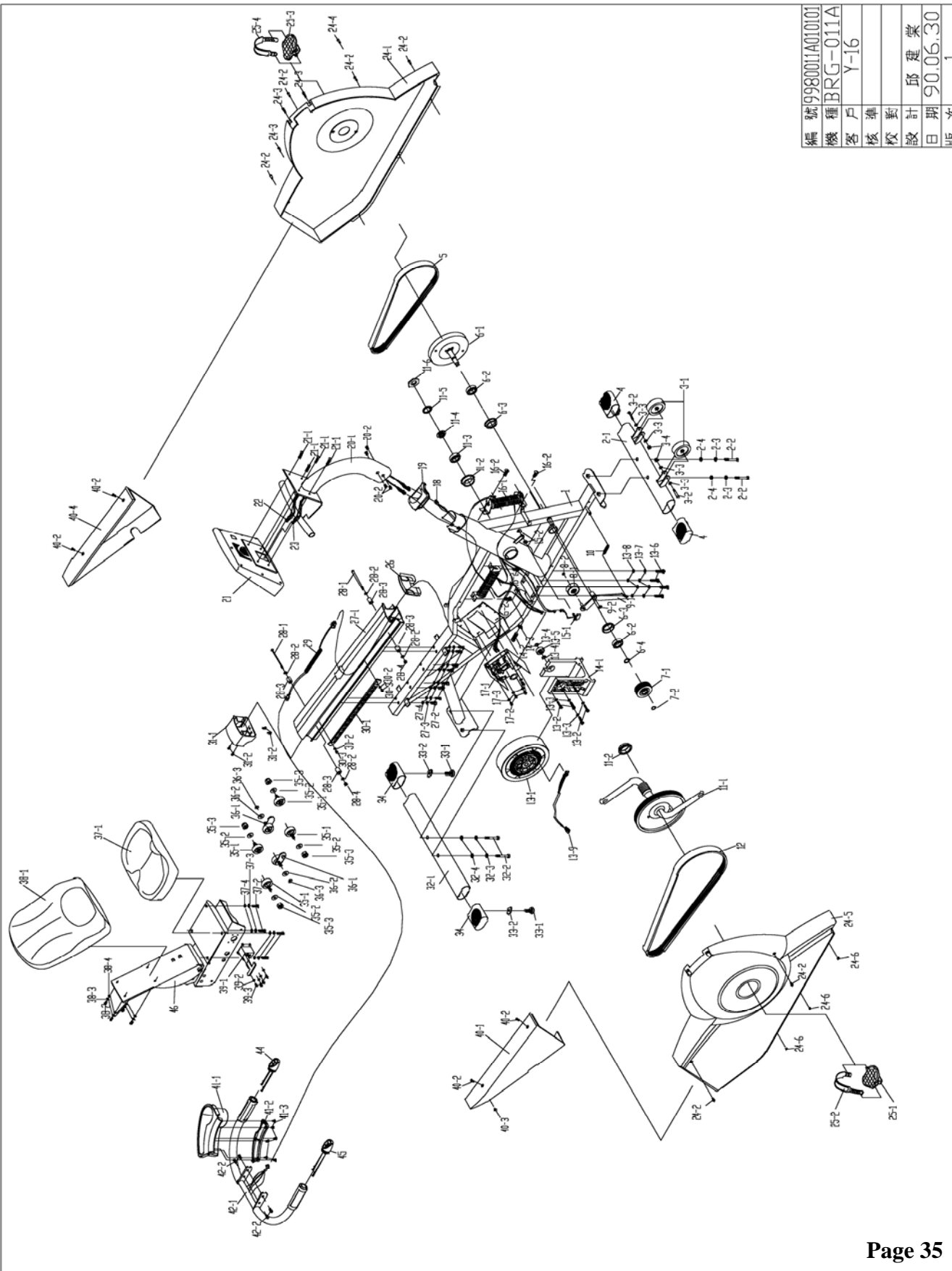


## TU 600 BIKE

REF #	PART NUMBER	DESCRIPTION	QTY.
02	7T010800	FRONT STABILIZER WITH BOLTS	1
03	7T000200	TRANSPORTATION WHEEL KIT	1
04	7T000300	FRONT STABILIZER END CAP	2
05	7T011400	DRIVE BELT KIT	1
	7T004900	DO NOT ORDER	
06	7T005000	POLY V PULLEY SET KIT SECONDARY	1
7-1	7T012000	LEFT COMPLETE W/ MODEL SHROUD DECALS	1
7-2	7T001302	SIDE COVER SCREW	1
7-3	7T001202	SIDE COVER SCREW	6
7-4	7T001303	SIDE COVER SCREW	3
7-5	7T012100	RIGHT SHROUD W/ MODEL DECALS	1
7-6	7T001306	HEX NUT	3
7-7	7T012200	MODEL DECAL LEFT WHITE	1
7-8	7T001311	SHROUD DECAL BLUE	1
7-9	7T001312	SHROUD DECAL BLUE	1
7-10	7T012300	MODEL DECAL RIGHT WHITE	1
7-11	7T001308	SHROUD DECAL BLUE	1
7-12	77T001309	SHROUD DECAL BLUE	1
08	7T001400	PEDAL SET W/ STRAPS LFT. & RT.	1
09	7T005500	CRANK AND CUPS PULLEY SET W/BEARINGS	1
10	7T005600	J8 POLY V BELT PRIMARY	1
11	7T005200	ALUMINUM IDLER AND IDLER ARM	1
12	7T012400	C RING IDLER ARM	1
13	7T012500	SPRING IDLER ARM	1
14	7T011500	BRAKE KIT	1
14-9	7T007200	BRAKE CABLE	1
15	7T005700	GENERATOR BRACKET SET	
16	7T006000	CONTROL BOARD W/ SCREWS	1
17	7T005900	RESISTOR W/ SCREWS	1
18	7T005800	RPM SENSOR W/ WIRE AND NUT	1
19	7T000900	SHROUD TRIM CAP	1
20	7T004300	SEAT ADJUSTING KNOB	1
21	7T004400	SEAT POST SLEAVE	1
22	7T004500	SEAT POST SET	1
23	7T004600	SADDLE W/ CLAMP	1
24	7T006900	HANDLEBAR W/ CONTACT HR AND BOLTS	1
24-1-1	7T006202	CABLE ASSY.	1
25	7T004100	BOTTLE CAGE W/ SCREWS	1
26	7T006300	COMPUTER W/ SCREWS	1
27	7T004200	CD PLAYER HOLDER W/ SCREWS	1
28	7T007000	CABLE ASSEMBLY 5 PIN LOWER	1
29	7T012600	IDLER ARM AXLE KIT	1
30	7T002600	REAR STABILIZER W/ SCREWS	1
31	7T002700	LEVELERS x2 WITH LOCKS	1
32	7T002800	REAR STABILIZER END CAP	2
33	7T005100	POLY V PULLEY SET KIT CLUTCH	1
24-2	7T013100	HANDLEBAR END CAPS	2

7T011800	MODEL DECAL LEFT WHITE	1
7T011900	MODEL DECAL RIGHT WHITE	1
7T012901	DECAL A	1
7T012902	DECAL B	1
7T012903	DECAL C	1
7T012904	DECAL D	1
7TU60100	PARTS KIT	
7TU60200	FRONT STABILIZER SCREW KIT	1
7TU60300	REAR STABILIZER SCREW KIT	1

# TR 600 PARTS DIAGRAM



編號	998001A0101
機種	BRG-011A
客戶	Y-16
核准	
校對	
設計	邱建榮
日期	90.06.30
版次	1

## TR600 BIKE

<u>REF. #</u>	<u>PART #</u>	<u>DESCRIPTION</u>	<u>QTY USED</u>
24-1	7T011600	600R L SHROUD & DECALS	1
24-2	7T001202	SIDE CVR SCREW	6
24-3	7T001303	SIDE CVR SCREW	3
24-4	7T001302	SIDE CVR SCREW	1
24-5	7T011700	600R R SHROUD & DECALS	1
24-6	7T001306	HEX NUT SIDE CVR SCREW	3
24-7	7T011800	MODEL DECAL 66R L WHITE	1
24-8	7T001308	SHROUD DECAL A BLUE	1
24-9	7T001309	SHROUD DECAL C BLUE	1
24-10	7T012300	MODEL DECAL 600R RT WHITE	1
24-11	7T001311	SHROUD DECAL B BLUE	1
24-12	7T001312	SHROUD DECAL D BLUE	1
25	7T001400	PEDAL W/STRAPS LT&RT	1
26	7T002100	ALUM RAIL TRIM CAP	1
27	7T002200	ALUM RAIL W/HDRW	1
28	7T002300	SEAT STOP KIT LT& RT	1
29	7T006500	CABLE ASSY 12 PIN LWR SEAT RAIL	1
30	7T002400	SEAT ADJ RACK	1
31	7T002500	TRANSPORT HNDL KIT	1
32	7T002600	REAR STABILIZER W/BOLTS	1
33	7T002700	LEVELS W/LOCKS	1
34	7T002800	REAR STABILIZER END CAP	2
35	7T002900	ROLLER SET (A) RT& LT FRT	2
36	7T003000	ROLLER SET (B) RT & LT CTR	2
37	7T003100	SEAT BOTTOM W/SCREWS	1
38	7T003300	SEATBACK W/SCREWS	1
39	7T003200	SEAT ADJ LEVER W/BOLTS	1
2	7T000100	FRT STABILIZER W/BOLTS	
3	7T000200	TRANSPORTS WHEEL KIT	1
4	7T000300	FRT STABILIZER END CAP	2
5	7T011400	TR/TU600 DR BELT REPLACE KIT	1
6	7T005000	POLY-V SEONDRARY KIT CLUTCH	1
7	7T005100	POLY-V CLUTCH PULLEY KIT	1
8	7T005200	ALUM IDLER & IDLER ARM	1
9	7T005300	C RING IDLER ARM	1
10	7T005400	SPRING IDLER ARM	1
11	7T005500	CRANK & PULLEY W/BEARINGS	1
12	7T005600	J-8 POLY-V BELT PRIM	1
13	7T011500	TU/TR600 BRAKE KIT	1
13-9	7T007300	CABLE BRAKE	1
15	7T005800	RPM SENSOR & KNOT CBL	1
16	7T005900	RESISTOR W/SCREWS	1
17	7T006000	CNTRL BOARD W/SCREWS	1
18	7T006100	CABLE ASSY SPIN LWR	1
19	7T000900	MAST TRIM CAP	1

20	7T006200	CONSOLE MAST W/BOLTS	1
20-1-1	7T006201	CABLE ASSY 12 PIN UPPER	1
20-1-2	7T006202	CABLE ASSY 52 PIN UPPER	1
21	7T006300	COMPUTER SET 660RIU LT FRT	1
22	7T003700	ROLLER SET SEAT LT RR	2
23	7T006400	IDLER ARM SHAFT KIT	1
40-1	7T001201	REAR SHROUD RT	1
24-2	7T001202	ROUND CROSS SCREW	4
40-3	7T001204	TAPPING SCREW	1
40-4	7T001203	REAR SHROUD LT	1
41	7T003500	BTTL HDLR W/SCREWS	1
42	7T006600	REAR HNDLBR W/SWITCHES BOLTS	1
43	7T003400	SEAT SHUTTLE	1
44	7T006700	THUMB SWITCH ASSY LT	1
45	7T006800	THUMB SWITCH ASSY RT	1
	7T011800	MODEL DECAL LT WHITE	
	7T011900	MODEL DECAL RT WHITE	
24-08	7T012901	DECAL A SILVER	
24-11	7T012902	DECAL B SILVER	
24-9	7T012903	DECAL C SILVER	
24-12	7T012904	DECAL D SILVER	
	7T013000	MODEL DECAL	
43-1	7T012800	PNEUMATIC CYLINDER SEAT BK	
^2-1	7TR50200	FH RR STABILIZER HDW KIT	
20-1	7TR50300	HNDLBR HDW KIT	
41-1	7TR50400	BTTL HLDR HDW KIT	
	7TR60100	ASSY HDW KIT	
21-1	7TU50200	CPANEL HDW KIT	
	7TU60700	ASSY TOOL KIT	

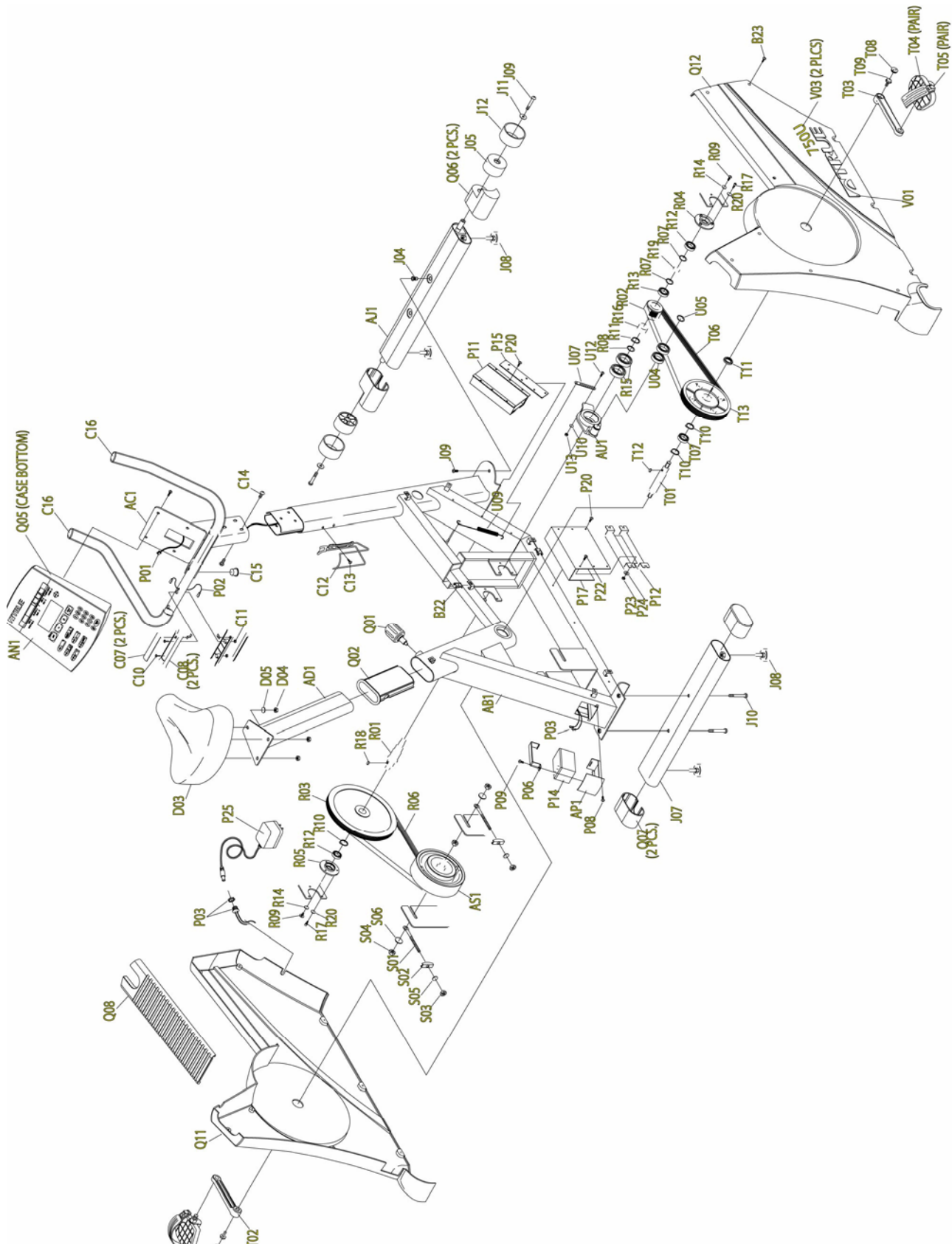




# True Upright Bike 750

- ❖ **TU 750 Exploded Diagram** **Pg- 37**  
(Prior to serial # 02-UP0161C (3) Piece Crank)
  
- ❖ **TU 750 Parts List** **Pg- 38**  
(Prior to serial # 02-UP0161C (3) Piece Crank)
  
- ❖ **TU 750 Exploded Diagram** **Pg- 40**  
(After serial # 02-UP0161C (1) Piece Crank)
  
- ❖ **TU 750 Parts List** **Pg- 41**  
(After serial # 02-UP0161C (1) Piece Crank)

# TU 750 PARTS DIAGRAM (3 PIECE CRANK)



## TU 750 3 PIECE CRANK

TU750:  
02-  
UP0161C

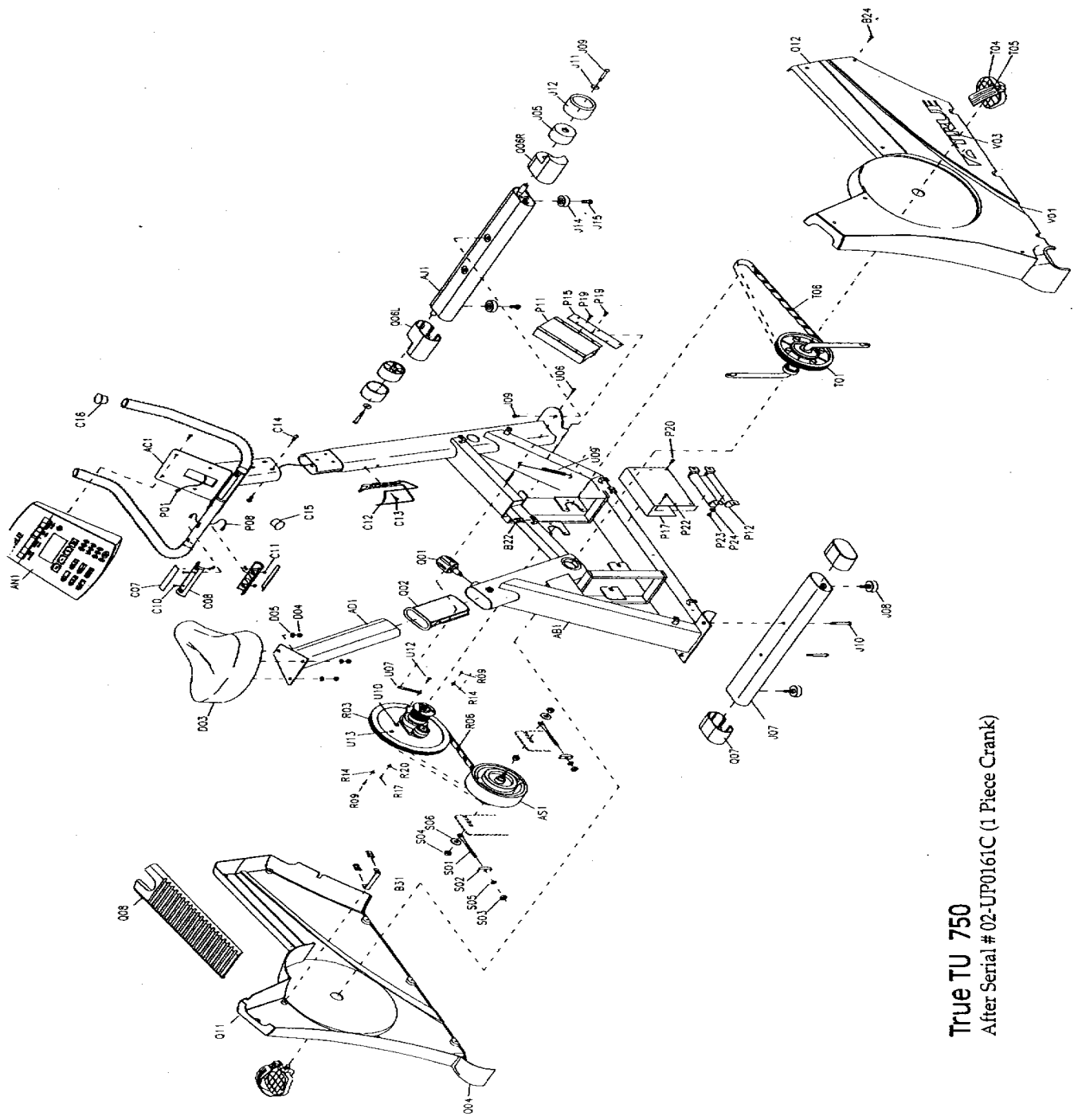
<u>REF #</u>	<u>PART#</u>	<u>DESCRIPTION</u>	<u>QTY.</u>
AB1	7TSP0101006	FRAME	
AC1	7TSZCB24CSM	UPRIGHT HANDLE BAR	1
AD1	7TSW0150005	SEAT POST	1
AJ1	7TSZCB24FST	FRONT GROUNDING BAR ASSEMBLY	1
AN1	7TSM0209004	CONSOLE SET	1
AS1	7TMD0208006	BRAKE ASSEMBLY	1
B22	7TME0701001	C CLAMP SIDE COVER	14
B24	7TME0107014	SCREW SIDE COVER	16
B31	7TMJ1208001	SIDE COVER BRACKET	1
C07	7TMJ1278001	HAND PULSE SENSOR	1
C08	7TMB06A7001	SENSOR BRACKET PULSE	1
C10	7TME0102069	SCREW PULSE BRACKET	4
C11	7TMB0201028	NUT PULSE BRACKET	4
C12	7TMB0601005	WATER BOTTLE CAGE	1
C13	7TME0102043	SCREW BOTTLE CAGE	2
C14	7TME0111014	SCREW HANDLEBAR MAST	6
C15	7TMB0605006	TRIM CAP	1
C16	7TMJ1291001	END CAP OF HANDLEBAR	2
D03	7TMB1001018	SEAT CUSHION	1
D04	7TME0204019	NYLON NUT SEAT CUSHION	3
D05	7TME0501007	SPRING WASHER SEAT CUSHION	3
J05	7TMB0103001	MOVING WHEEL	2
J07	7TSZCB24RST	REAR GROUNDING BAR ASSEMBLY	1
J08	7TMB0304006	REAR FEET PAD	4
J09	7TME0112024	BOLT MOVING WHEEL FT. GROUNDING BAR	4
J10	7TME0112044	BOLT REAR GROUNDING BAR ASSEMBLY	2
J11	7TME0502108	WASHER MOVING WHEEL	2
J12	7TMB0705001	MOVING WHEEL COVER	2
P01	7TMC0501027	CONSO	1
P08	7TMC0549002	CONTA( SLE	2
P11	7TMC0203004	CONTROL BOARD	1

### NEXT FIVE PIECES ASSEMBLY BUT NO ASSY. NUMBER

P12	7TMC0736002	POWER RESISTANCE	1
P17	7TMJ1393002	COVER POWER RESISTENCE	1
P22	7TME0102027	SCREW	4
P23	7TME0204003	NUT	4
P24	7TME0502082	WASHER	4
P15	7TMB06B8001	CONTROL BOARD BRACKET	1
P19	7TME0107043	SCREW CONTROL BOARD	8
P20	7TME0107043	SCREW RESISTOR TO FRAME	8
Q01	7TMN1101006	SEAT ADJUSTMENT KNOB BLUE	1
J14	7TMB0304020A	FOOT PAD FRONT	2
J15	7TMZE0112119	BOLT FRONT FOOT PAD	2
Q02	7TMB0604018	SEAT POST SLEEVE	1

Q06R	7TMB0609028	END CAP FOR FRONT GROUNDING BAR RT.	1
Q06L	7TMB0609026	END CAP FOR FRONT GROUNDING BAR LT.	1
Q07	7TMB0609035	END CAP FOR REAR GROUNDING BAR	2
Q11	7TSZCB24SCV-L	SIDE COVER ASSY. LEFT 3 PC. CRANK	1
Q12	7TSZCB24SCV-R	SIDE COVER ASSY. RIGHT 3 PC. CRANK	1
R03	7TSZRB40PAX	FLYWHEEL SHAFT ASSEMBLY	1
R06	7TMD0602018	POLY V BELT 520-J8	1
R09	7TME0103022	FLAT HEAD SCREW	2
R14	7TME0514002	WASHER	2
R17	7TME0104014	SCREW FLYWHEEL ATTACH	6
R20	7TME0502092	WASHER FLYWHEEL ATTACH	6
S01	7TMJ3247002	EYE BOLT BRAKE BELT TENSION	2
S02	7TMJ1245003	HOOK COVER BRAKE BELT TENSION	2
S03	7TME0204010	NYLON NUT BRAKE BELT TENSION	2
S04	7TME0201012	NUT BRAKE AXLE	2
S05	7TME0502127	WASHER BRAKE TENSION BOLT	2
S06	7TME0502115	WASHER BRAKE AXLE	2
T01	7TSZRB40DAX	BOTTOM BRACKET WHEEL ASSY. 3 PC. CRANK	1
T02	7TMD0405001	LEFT CRANK	1
T03	7TMD0406001	RIGHT CRANK	1
T04	7TMD0402002	PEDALS WITH STRAP	2(SET)
T05	7TMD0403002	PEDAL STRAP SET OF 2	1
T06	7TMD0602013	POLY V BELT 400-J08	1
T08	7TMB0622001	CRANK COVER CAP	2
T09	7TME01132012	SCREW CRANK ARM ATTACH	2
U06	7TME0112088	SCREW BELT TENSIONER	1
U07	7TMJ1914002	STRETCH ADJUSTER BELT TENSIONER	1
U09	7TME1104002	STRETCH SPRING BELT TENSIONER	1
U10	7TME0502084	WASHER BELT TENSIONER	1
U12	7TME0104014	SCREW BELT TENSIONER	1
U13	7TME0201003	NUT BELT TENSIONER	1
V01	7TMG0214009	SIDE COVER DECAL BLUE	1
V03	7TMG0102036	MODEL DECAL WHITE	2
	7TMH0205023	OWNERS MANUAL	1
	7TME0601017	ASSEMBLY KIT	1
Q08	7TMB0237002	UPPER FRAME COVER	1

# TU 750 PARTS DIAGRAM (1 PIECE CRANK)



**True TU 750**  
After Serial # 02-UP0161C (1 Piece Crank)

# TU 750 1PC CRANK

REF.#	PART#	DESCRIPTION	QTY.
AB1	7TSP001006	FRAME	
AC1	7TSZCB24CSM	HANDLE BAR W/HR	1
AD1	7TSW0150005	SEAT POST	1
AJ1	7TSZCB24FST	FRONT GROUND BAR ASSEMBLY	1
AN1	7TSM0209004	CONSOLE ASSEMBLY	1
AS1	7TMD0208006	BRAKE ASSEMBLY	1
B22	7TME0701001	C CLAMP SIDE CVR	14
B24	7TME0107014	SCREW SIDE CVR	16
B31	7TMJ1208001	SIDE CVR BRACKET	1
C07	7TMJ1278001	HAND PULSE SENSOR	2
C08	7TMB06A7001	SENSOR BRACKET PULSE	2
C10	7TME0102069	SCREW PULSE BRKT	4
C11	7TMB0201028	NUT PULSE BRKT	4
C12	7TMB0601006	WATER BTL CAGE	1
C13	7TME0102043	SCREW BTL CAGE	2
C14	7TME0111014	SCREW HANDLEBAR MAST	6
C15	7TMB0605006	TRIM CAP	1
C16	7TMJ1291001	END CAP OF HDLBR	2
D03	7TMB1001018	SEAT CUSHION	1
D04	7TME0204019	NYLON NUT SC	3
D05	7TME0501007	SPRING WASHER ST CUSHION	3
J05	7TMB0103001	MOVING WHEEL	2
J07	7TSZCB24RST	REAR GROUNDING BAR ASSEMBLY	1
J08	7TMB0304006	REAR FEET PAD	4
J09	7TME0112024	BOLT MOVING WHEEL FT. GROUND BAR	2
J10	7TME0112044	BOLT REAR GROUND BAR ASSEMBLY	2
J11	7TME0502108	WASHER MVG WHFFI	2
J12	7TMB0705001	MOVING WI DO NOT OR	2
P01	7TMC0501027	CONSOLE DATA CBL	1
P08	7TMC0549002	CONTACT HEART RATE CABLE	2
P11	7TMC0203004	CONTROL BOARD	1
P12	7TMC0736002	POWER RESISTANCE	1
P17	7TMJ1393002	COVER POWER RESISTANCE	1
P22	7TME0102027	SCREW	4
P23	7TME0204003	NUT	4
P24	7TME0502082	WASHER	4
P15	7TMB06B8001	CONTROL BRD BRKT	1
P19	7TME0107043	SCREW CNTRL BRD	8
P20	7TME0107043	SCREW RESISTER TO	8

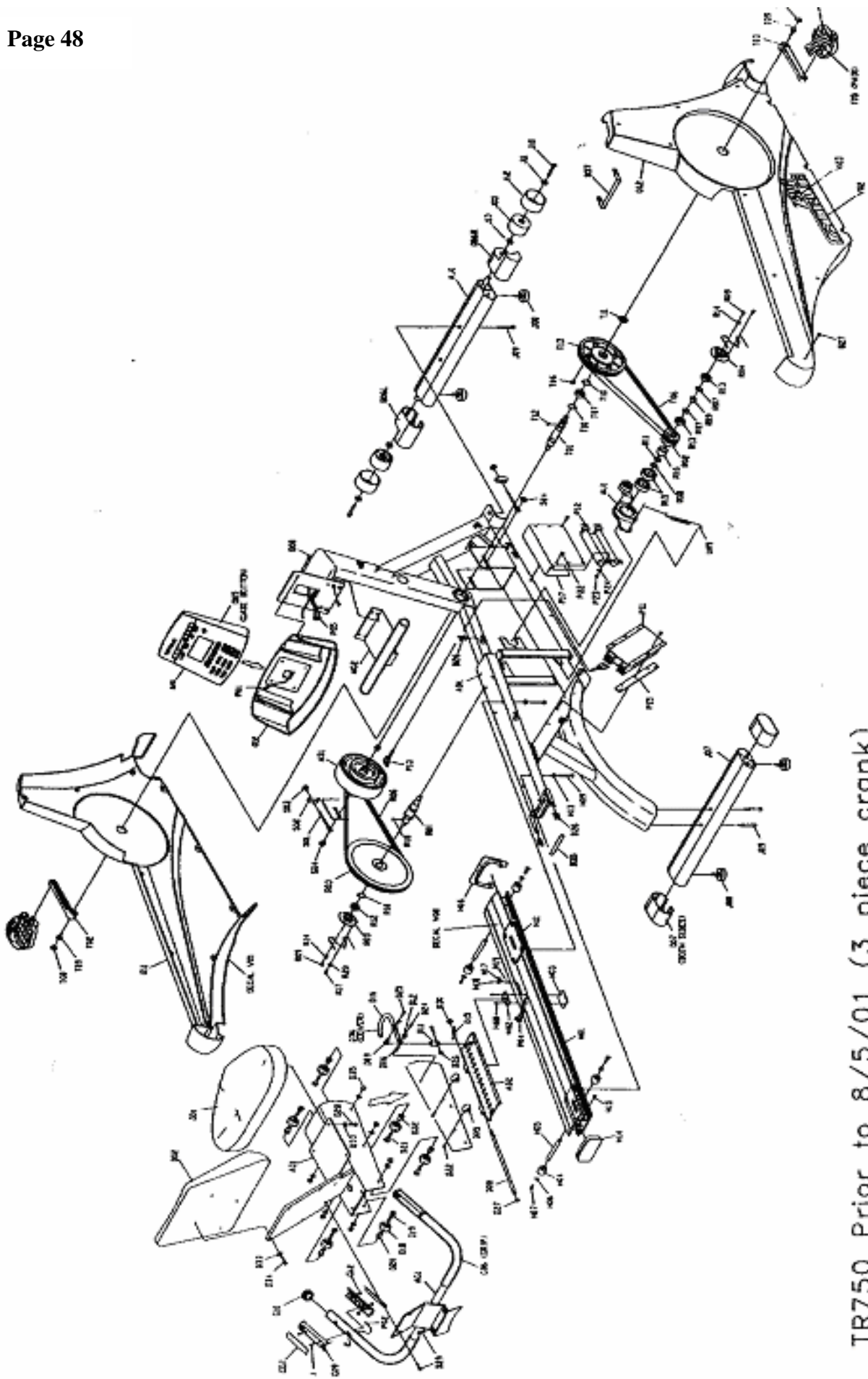
		FRAME	
Q01	7TMN1101006	SEAT ADJ KNOB BLUE	1
J14	7TMB030402A	FOOT PAD FRONT	2
J15	7TMZE0112119	BOLT FRONT FT PAD	2
Q02	7TMB0604018	SEAT POST SLEEVE	1
Q06R	7TMB0609028	END CAP FOR FRONT GRNDG BAR FOR RIGHT	1
Q06L	7TMB0609026	END CAP FOR FRONT GRNDG BAR FOR LEFT	1
Q07	7TMB0609035	END CAP FOR REAR GROUNDING BAR	2
Q11	7TSZCB24SCV-L	SIDE CVR ASSY LEFT 1 PIECE CRANK	1
Q12	7TSZCB24SCV-R	SIDE CVR ASSY RT 1 PIECE CRANK	1
R03	7TSZRB40PAX	FLYWHEEL SHAFT ASSEMBLY	1
R06	7TMD0602018	POLY V BELT 520-J8	1
R09	7TME0103022	FLAT HEAD SCREW DO NOT ENTER	2
R14	7TME0514002	WASHER DO NOT ENTER	2
R17	7TME0104014	SCREW FLYWHEEL ATTACH	6
R20	7TME0502092	WASHER FLYWHEEL ATTACH	6
S01	7TMJ3247002	EYE BOLT BRAKE BLT TENSION	2
S02	7TMJ1245003	HOOK CVR BRAKE BELT TENSION	2
S03	7TME0204010	NYLON NUT BRAKE BELT TENSION	2
S04	7TME0201012	NUT BRAKE AXLE	2
S05	7TME0502127	WASHER BRAKE TENSION BOLT	2
S06	7TME0502115	WASHER BRK AXLE	2
T01	7TSZRB40PAX-1	BTTM BRKT WHEEL	1
T02	7TMD0405001	LEFT CRANK	1
T03	7TMD0406001	RIGHT CRANK	1
T04	7TSM0915027A	1/2 PEDALS W/STRAP	1
T05	7TMD0403002	PEDAL STRAP SET 2	1
T06	7TMD0602013	POLY V BELT 400-J08	1
T08	7TMB0622001	CRANK CVR CAP	2
T09	7TME0113012	SCREW CRANK ARM	2
U06	7TME0112088	SCREW BELT TENSIONER	1
U07	7TMJ1914002	STRETCH ADJUSTER	1
U09	7TME1104002	STRETCH SPRING	1
U10	7TME0502084	WASHER	1
U12	7TME0104014	SCREW BELT TENSIONER	1
U13	7TME0201003	NUT BELT TENSIONER	1
V01	7TMG0214009	SIDE CVR DECAL BLUE	1
	7TMG0102053D	MODEL DECAL SILVER	

V03	7TMG0102036	MODEL DECAL WHITE	2
	7TMG0214009C	SIDE CVR DECAL SILVR	
	7TMG0214016C	SIDE CVR DECAL SILVR	
	7TMH0205023	OWNERS MANUAL	1
	7TME0601017	ASSEMBLY KIT	1
Q08	7TMB0237002	UPPER FRAME CVR	1



# True Recumbent Bike 750

- ❖ **TR 750 Exploded Diagram** **Pg- 46**  
(Prior to 08/05/2001 (3) Piece Crank)
  
- ❖ **TR 750 Parts List** **Pg- 47**  
(Prior to 08/05/2001 (3) Piece Crank)
  
- ❖ **TR 750 Exploded Diagram** **Pg- 49**  
(After 08/05/2001 & Prior to Serial # 02-RE0283C  
(3) Piece Crank)
  
- ❖ **TR 750 Parts List** **Pg- 50**  
(After 08/05/2001 & Prior to Serial # 02-RE0283C  
(3) Piece Crank)
  
- ❖ **TR 750 Exploded Diagram** **Pg- 52**  
(After Serial # 02-RE0283C (1) Piece Crank)
  
- ❖ **TR 750 Parts List** **Pg- 53**  
(After Serial # 02-RE0283C (1) Piece Crank)



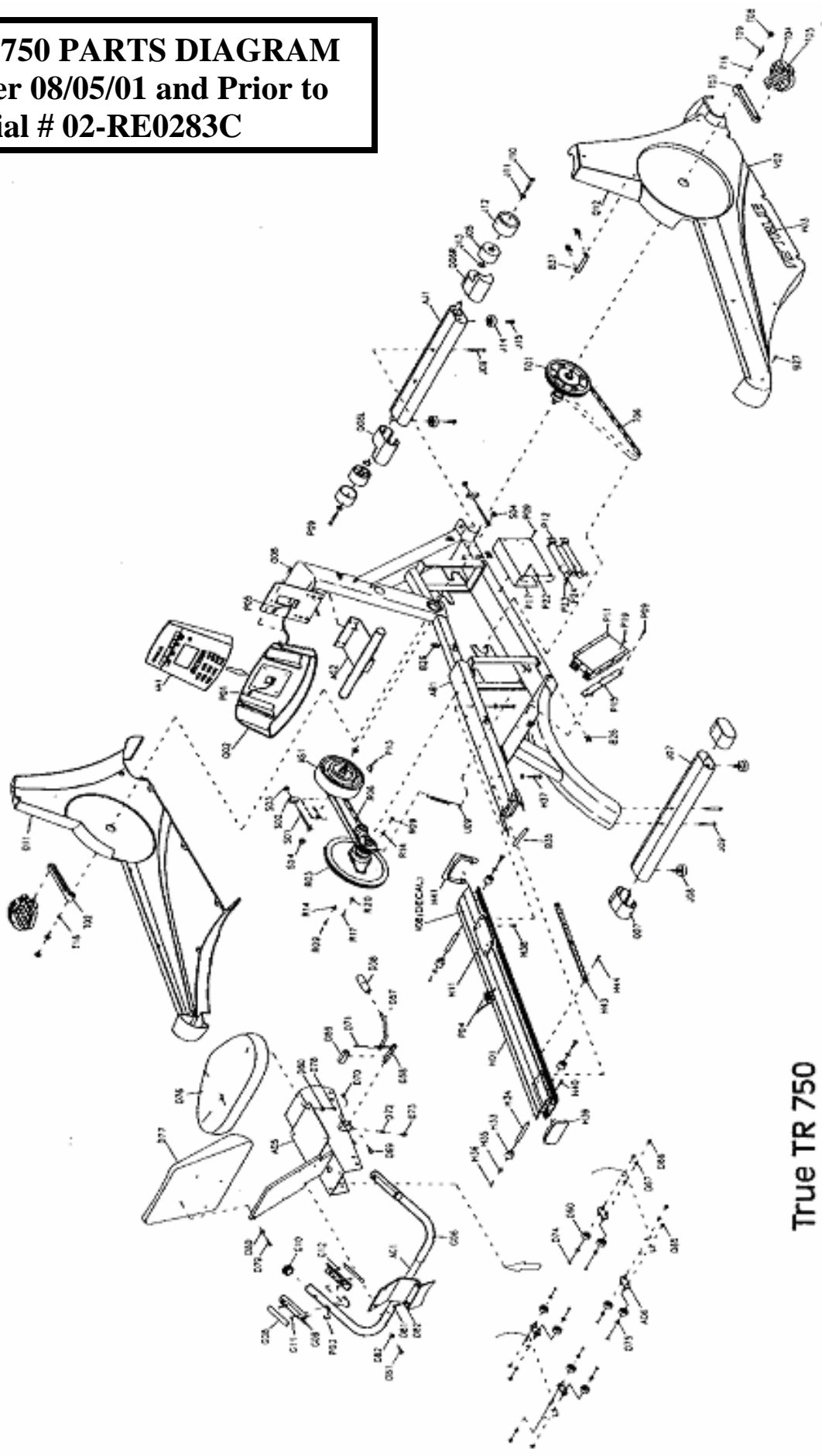
TR750 Prior to 8/5/01 (3 piece crank)

## TR750 PRIOR 8-5-01 (3 PIECE CRANK)

REF. #	PART #	DESCRIPTION	QTY.
AD1	7TSP0203003	SEAT SLIDE WELDMENT	1 SET
AD2	7TSZRB40SLP	SEAT SLIDE PLATE LOCK	1 SET
AG1	7TSP0206006	SEAT HANDLE BAR WELDMENT	1 SET
AG2	7TSP0212003	CONSOLE HANDLE BAR WELDMENT	1 SET
AJ1	7TSZRB40FST	FRONT GROUNDING BAR ASSY.	1 SET
AN1	7TSM0209004	CONSOLE ASSEMBLY	1 SET
AS1	7TMD0208006	BRAKE ASSY	1 SET
B37	7TME0701001	C CLAMP-SIDECOVER	1 SET
B27	7TME0107014	SCREW- SIDE COVER	16 PCS.
	7TMJ3251001	FIXTURE SHAFT SIDE COVER	1 PC.
	7TME0102047	SCREW FOR SIDE COVER SHAFT	2 PCS.
	7TMJ1208001	SIDE COVER BOTTOM FIXTURE	1 PC.
D01	7TMB1001005	SEAT BOTTOM PAD	1 PC.
D02	7TMB1002002	SEAT BACK PAD	1 PC.
	7TMJ3228002	ADJUSTMENT BAR FIXTURE PIN	1 PC.
	7TMJ3243001	BULB CONNECTOR	1 PC.
	7TMJ3244001	CLEVIS	1 PC.
	7TMJ3220006	SPACER	1 PC.
	7TME1111002	OPPOSITE SPRING	1 PC.
D16	7TMJ3245001	ADJUSTMENT BAR WITH GRIP	1 PC.
	7TSZRB40SER	RECUMBANT SEAT ROLLER W/ HARDWARE	1 SET
	7TSZRB40ESR	ECCENTRIC SEAT ROLLER ASSY. W/ HARDWARE	1 SET
	7TMB0104065	SCREW-SEAT LOCK PLATE BRACKET	4 PCS.
	7TME0104004	SCREW-SEAT LEVER FIXTURE PIN	1 PC.
	7TME0112023	SCREW-BULB CONNECTOR SEAT LEVER	1 PC.
	7TME0204004	NUT CLEVIS	1 PC.
D28	7TME0112013	SCREW SEAT BOTTOM	4 PCS.
	7TME0112039	SCREW-DIP BAR MOUNT	4 PCS.
D33	7TME0501006	SPRING WASHER SEAT BACK/BOTTOM	8 PCS.
D34	7TME0112014	SCREW SEAT BACK	4 PCS.
G06	7TMB0401021	HANDLE FOAM GRIP	2 PCS.
G07	7TMJ1278001	HANDPULSE SENSOR	1 SET
G09	7TMB06A7001	HANDPULSE BRACKET	1 SET
G10	7TMB0609031	END CAP HANDLE BAR	4 PCS.
G11	7TME0102069	SCREW PULSE BRACKET	4 PCS.
G12	7TME0201028	NUT PULSE BRACKET	4 PCS.
H01	7TSZRB40RAL	RECUMBANT SEAT ASSY. TUBE	1 PC.
H02	7TMJ3230001	FIXTURE PIN BRACKET	1 PC.
H03	7TMJ1228019	PLATE FIXTURE BRACKET SHIM	1 PC.
H09	7TME0112042	SCREW REAR TUBE MOUNT	8 PCS.
H13	7TME0502018	WASHER REAR TUBE MOUNT	8 PCS.
H16	7TMB0632001	END CAP OF FRONT SLIDE TUBE	1 PC.
H15	7TME0107015	SCREW SEAT TUBE END CAP	2 PCS.
H14	7TMB0211008	END CAP OF REAR SLIDE TUBE	1 PC.
	7TMB0634002	WIRE CLAMP	1 PC.
	7TME0102027	WIRE CLAMP	1 PC.
J05	7TMB0103001	TRANSPORT WHEEL	2 PCS.

J07	7TSW2221005	REAR GROUNDING BAR	1 PC.
J08	7TMB0304006	FOOT PAD REAR ADJUSTABLE	4 PCS.
J09	7TME0112109	BOLT GROUNDING BAR	4 PCS.
J10	7TME0112024	BOLT TRANSPORT WHEEL	2 PCS.
J11	7TME0502108	WASHER TRANSPORT WHEEL	2 PCS.
J12	7TME0902007	EXTERNAL C RING-TRANSPORT WHEEL	2 PCS.
	7TMC0501027	CABLE DISPLAY CONTROL BOARD	1 PC.
	7TMC0520002	CABLE SEAT RAIL	1 PC.
	7TMC0550001	WIRE HEART RATE SEAT RAIL CONSOLE	1 PC.
P11	7TMC0203004	CONTROL BOARD	1 PC.
P12	7TMC0736002	POWER RESISTANCE	1 PC.
P13	7TMC0535006	CABLE GENERATOR	1 PC.
P15	7TMB06B8001	CONTROL BOARD BRACKET	1 PC.
P17	7TMJ1393002	POWER RESISTANCE COVER	1 PC.
P22	7TME0102027	SCREW RESISTOR	4 PCS.
P23	7TME0204003	NYLON NUT RESISTOR	4 PCS.
P24	7TME0502082	WASHER RESISTOR	4 PCS.
	7TMB0601005	WATER BOTTLE HOLDER	1 PC.
Q06R	7TMB0609028	END CAP FOR FRONT GROUNDING BAR-RH	1 PC.
Q06L	7TMB0609026	END CAP FOR FRONT GROUNDING BAR-LH	1 PC.
Q07	7TMB0609035	END CAP OF REAR GROUNDING BAR- R OR L	2 PCS.
Q08	7TME0104055	SCREW CONTROL PANEL	4 PCS.
Q11	7TSZRB40SCV-L	SIDE COVER LEFT WITH DECALS	1 SET
Q12	7TSZRB40SCV-R	SIDE COVER RIGHT WITH DECALS	1 SET
R3	7TSZRB40PAX	FLYWHEEL SHAFT ASSY. WITH TENSIONER	1 SET
R06	7TMD0602018	POLY V BELT SECONDARY	1 PC.
	7TME0104014	SCREW FLYWHEEL	6 PCS.
	7TME0502092	WASHER FLYWHEEL	6 PCS.
	7TMJ3247001	BELT ADJUSTOR-BRAKE	2 PCS.
	7TMJ1245003	HOOK COVERBELT ADJUSTOR-BRAKE	2 PCS.
	7TME0204010	NYLON NUT BELT ADJUSTOR - BRAKE	2 PCS.
	7TME0201012	NUT - BRAKE AXEL	2 PCS.
	7TSZRB40DAX	BOTTOM BRACKET WHEEL ASSY.	1 SET
T02	7TMD0405001	LEFT CRANK	1 PC.
T03	7TMD0406001	RIGHT CRANK	1 PC.
T04	7TMD0402002	PEDALS - 9/16" WITH STRAPS	1 SET
T05	7TMD0403002	PEDAL STRAP-PR	1 SET
T06	7TMD0602013	POLY V BELT PRIMARY	1 PC.
T07	7TMB0622001	CRANK CAVER ARM BOLT	2 PCS.
T08	7TME0113012	CRANK ARM BOLT	2 PCS.
	7TME1103002	SPRING BELT TENSIONER	1 PC.
V01	7TMG0214008	SIDE COVER DECAL LEFT- BLUE	1 SET
V02	7TMG0214014	SIDE COVER DECAL RIGHT- BLUE	1 SET

**TR 750 PARTS DIAGRAM**  
**After 08/05/01 and Prior to**  
**Serial # 02-RE0283C**



**True TR 750**  
**After 8/5/01 and prior to Serial # 02-RE0283C**  
**(New Seat Assembly - 3 Piece Crank)**

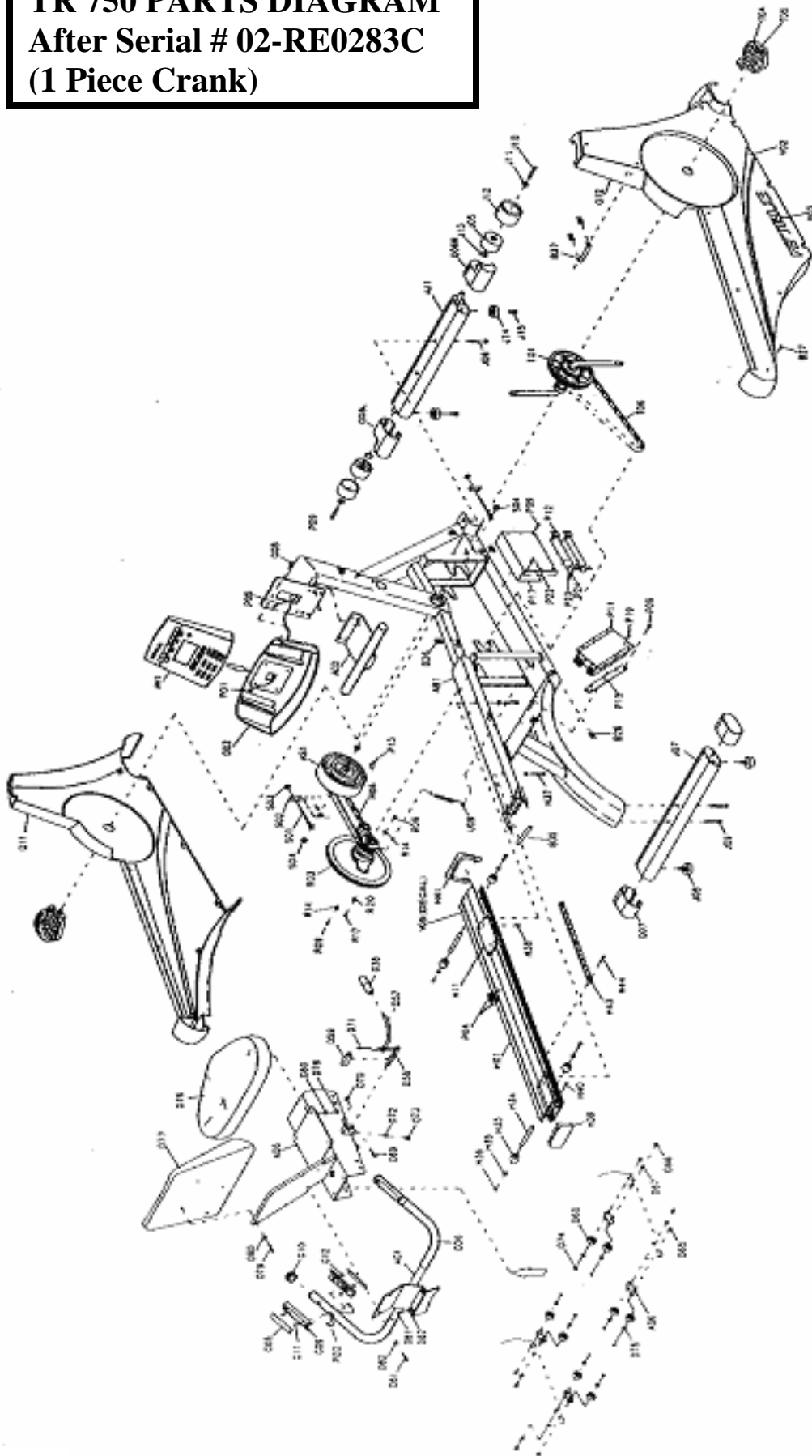
# TR 750 AFTER 8/5/01 PRIOR TO 02-RE0283C

## NEW SEAT ASSY - 3 PIECE CRANK

	REF. #	PART #	DESCRIPTION	QTY
114	AD5	7TSZRB40SAS	SEAT SLIDE SET	1 SET
117	AG2	7TSP0212003	CONSOLE HANDLE BAR	1 SET
001	AN1	7TSM0209004	CONSOLE ASSY.	1 SET
003	AS1	7TMD0208006	BRAKE ASSY.	1 SET
039	B26	7TME0701001	C CLAMP - SIDE COVER	16 PCS.
043	B27	7TME0107014	SCREW SIDE COVER	16 PCS.
118	B35	7TMJ3251001	FIXTURE SHAFT SIDE COVER	1 PC
083	D76	7TMB1001005	SEAT BOTTOM	1 PC
084	D77	7TMB1002002	SEAT BACK	1 PC
085	D78	7TME0112013	SCREW SEAT BOTTOM	4 PCS.
086	D79	7TME0112014	SCREW SEAT BACK	4 PCS.
087	D80	7TME0501006	WASHER SEAT BACK AND BOTTOM	8 PCS.
031	D81	7TME0112024	SCREW SEAT HANDLE BAR	4 PCS.
045	D82	7TME0501007	WASHER SEAT HANDLE BAR	4 PCS.
088	G06	7TMB0401021	HANDLE BAR FOAM GRIP	2 PCS.
116	G06	7TSP0206006	SEAT HANDLE BAR	1 SET
050	G08	7TMJ1278001	HANDPULSE SENSOR	2 SETS
051	G09	7TMB06A7001	HANDPULSE BRACKET	2 SETS
089	G10	7TMB0609031	HAND PULSE END CAP	4 PCS.
052	G11	7TME0102069	SCREW HAND PULSE	4 PCS.
053	G12	7TME0201028	NUT HAND PULSE	4 PCS.
090	H01	7TSZRB40RAL-1	SEAT RAIL ASSY.	1 PC
028	H33	7TMB0103001	TRANSPORT WHEEL	2 PCS.
091	H37	7TMZE0112042	BOLT SEAT RAIL	8 PCS.
093	H38	7TMZE 0107015	SCREW RAIL AND CAP	2 PCS.
094	H39	7TMB0211008	END CAP OF REAR SLIDE TUBE	1 PC
092	H41	7TMB0632007A	RAIL CAP END	1 PC
097	J07	7TSZRB40RST	REAR STABILIZER	1 PC
024	J08	7TMB0304006	LEVELER	4 PCS.
098	J09	7TME0112109	BOLT REAR STAILIZER	4 PCS.
031	J10	7TME0112024	BOLT TRANSPORT WHEEL	2 PCS.
030	J11	7TME0502108	WASHER TRANSPORT WHEEL	2 PCS.
099	J12	7TME0902007	EXTERNAL C RING TRANSPORT WHEEL	2 PCS.
035	P01	7TMC0501027	CABLE DISPLAY/CONTROL BOARD	1 PC
102	P04	7TMC0550001	WIRE HRC RAIL TO CONSOLE	1 PC
100	P05	7TMC0549005	HR SENSOR WIRE	2 PCS.
002	P11	7TMC0203004	CONTROL BOARD	1 PC
054	P12	7TMC0736002	RESISTOR	1 PC
060	P15	7TMB06B8001	BRACKET CONTROL BOARD	1 PC
055	P17	7TMJ1393002	RESISTOR COVER	1 PC
056	P22	7TME0102027	SCREW RESISTOR	4 PCS.
057	P23	7TME0204003	NYLON NUT RESISTOR	4 PCS.
058	P24	7TME0502082	WASHER RESISTOR	4 PCS.
026	Q06L	7TMB0609026	END CAP FRONT GROUNDING BAR LEFT	1 PC
027	Q06R	7TMB0609028	END CAP FRONT GROUNDING BAR RIGHT	1 PC

023	Q07	7TMB0609035	END CAP REAR GROUNDING BAR	2 PCS
105	Q08	7TME0104055	SCREW DISPLAY	4 PCS.
081	Q11	7TSZRB40SCV-L	SIDE COVER LEFT	1 SET
082	Q12	7TSZRB40SCV-R	SIDE COVER RIGHT	1 SET
005	R03	7TSZRB40PAX	FLYWHEEL SHAFT ASSY	1 SET
018	R06	7TMD0602018	SECONDARY POLY V BELT	1 PC
010	T02	7TMD0405001	LEFT CRANK	1 PC
011	T03	7TMD0406001	RIGHT CRANK	1 PC
006	T04	7TMD0402002	PEDAL SET 9/16"	1 SET
107	T05	7TMD0403002	PEDAL STRAP SET RT & LT	1 SET
019	T06	7TMD0602013	POLY V BELT PRIMARY	1 PC
049	T08	7TMB0622001	CRANK BOLT CAP	2 PCS.
048	T09	7TME0113012	CRANK BOLT	2 PCS.
109	V02	7TMG0214008	SIDE COVER DECAL LEFT BLUE	1 SET
110	V03	7TMG0214014	SIDE COVER DECAL RIGHT BLUE	1 SET
112	V08	7TMG0222006	SEAT RAIL DECAL	1 PC
004		7TSZRB40DAX	BOTTOM BRACKET WHEEL ASSY	1 SET
029		7TMB0705001	MOVING WHEEL COVER	
032		7TMZE0112119	BOLT FOOT PAD FRONT	
033		7TMB0304020A	FOOT PAD FRONT	
038		7TMJ1208001	FIXTURE SIDE COVER BOTTOM	1 PC
046		7TME0103022	FLATHEAD SCREW	
047		7TME0514002	WASHER	
059			FRONT GROUNDING BAR ASSY.	1 SET
061		7TME0107043	SCREWS CONTROL BOARD	
062		7TME0104014	SCREW FLYWHEEL	6 PCS.
063		7TME0502092	WASHER FLYWHEEL	6 PCS.
065		7TMJ1245003	HOOK COVER BELT ADJ.	2 PCS.
066		7TME0204010	NYLON NUT BELT ADJ	2 PCS.
067		7TME0201012	NUT BRAKE AXEL	2 PCS.
095		7TMJ1215008C	SEAT LOCK	1 PC
095		7tszrb40sld	seat install kit	
101		7TMC0520002	HR WIRE SENSOR PLATE	1 PC
103		7TMC0535006	WIRE BREAK	1 PC
104		7TMB0601005	WATER BOTTLE CAGE	1 PC
106		7TMJ3247001	EYE BOLT BELT ADJUSTER	2 PCS.
108		7TME1103002	SPRING BELT TENSIONER	1 SET
111		7TMG0102054	MODEL DECAL WHITE	2 PCS.
113		7TME0602016	ASSY. HARDWARE KIT	1 SET
115		7TSZRB40SER-1	SEAT ROLLER ASSY.	4 PCS.
120		7TME0107015	SCREWS RAIL CAP END	
143		7TME0502018	WASHER REAR TUBE MOUNT	
		7TME0102047	SCREW SIDE COVER	2 PCS.
		7TMZE0103007	SCREW SEAT LOCK	3 PCS.

**TR 750 PARTS DIAGRAM**  
**After Serial # 02-RE0283C**  
**(1 Piece Crank)**



**True TR 750**  
**After Serial # 02-RE0283C**  
**(1 Piece Crank)**



# TR 750 AFTER SERIAL # 02-RE0283C

## NEW SEAT ASSEMBLY-1 PIECE CRANK

REF. #	PART #	DESCRIPTION	QTY
AD5	7TSZRB40SAS	SEAT SLIDE SET	1 SET
	7TSZRB40SER-1	SEAT ROLLER ASSY.	4 PCS.
AG1	7TSP0206006	SEAT HANDLE BAR	1 SET
AG2	7TSP0212003	CONSOLE HANDLE BAR	1 SET
		FRONT GROUNDING BAR ASSY.	1 SET
AN1	7TSM0209004	CONSOLE ASSY.	1 SET
AS1	7TMD0208006	BRAKE ASSY.	1 SET
AS1	7TSM0206008D	BRAKE ASSY-AFTER SERIAL # 02-RE1237K	1 SET
B26	7TME0701001	C CLAMP - SIDE COVER	16 PCS.
B27	7TME0107014	SCREW SIDE COVER	16 PCS.
	7TMJ3251001	FIXTURE SHAFT SIDE COVER	1 PC
	7TME0102047	SCREW SIDE COVER	2 PCS.
	7TMJ1208001	FIXTURE SIDE COVER BOTTOM	1 PC
D76	7TMB1001005	SEAT BOTTOM	1 PC
D77	7TMB1002002	SEAT BACK	1 PC
D78	7TME0112013	SCREW SEAT BOTTOM	4 PCS.
D79	7TME0112014	SCREW SEAT BACK	4 PCS.
D80	7TME0501006	WASHER SEAT BACK AND BOTTOM	8 PCS.
D81	7TME0112024	SCREW SEAT HANDLE BAR	4 PCS.
D82	7TME0501007	WASHER SEAT HANDLE BAR	4 PCS.
G06	7TMB0401021	HANDLE BAR FOAM GRIP	2 PCS.
G08	7TMJ1278001	HANDPULSE SENSOR	2 SETS
G09	7TMB06A7001	HANDPULSE BRACKET	2 SETS
G10	7TMB0609031	HAND PULSE END CAP	4 PCS.
G11	7TME0102069	SCREW HAND PULSE	4 PCS.
G12	7TME0201028	NUT HAND PULSE	4 PCS.
H01	7TSZRB40RAL-1	SEAT RAIL ASSY.	1 PC
H37	7TMZE0112042	BOLT SEAT RAIL	8 PCS.
H41	7TMB0632007A	RAIL CAP END	1 PC
H40	7TMZE0107015	SCREW RAIL AND CAP	2 PCS.
H39	7TMB0211008	END CAP OF REAR SLIDE TUBE	1 PC
	7TMJ1215008C	SEAT LOCK	1 PC
	7TMZE0103007	SCREW SEAT LOCK	3 PCS.
	7TMB0103001	TRANSPORT WHEEL	2 PCS.
	7TSZRB40RST	REAR STABILIZER	1 PC
	7TMB0304006	LEVELER	4 PCS.
	7TME0112109	BOLT REAR STAILIZER	4 PCS.
	7TME0112024	BOLT TRANSPORT WHEEL	2 PCS.
	7TME0502108	WASHER TRANSPORT WHEEL	2 PCS.
	7TME0902007	EXTERNAL C RING TRANSPORT WHEEL	2 PCS.
P01	7TMC0501027	CABLE DISPLAY/CONTROL BOARD	1 PC
P05	7TMC0549005	HR WIRE SENSOR	2 PCS.
	7TMC0520002	HR WIRE SENSOR PLATE	1 PC
P04	7TMC0550001	WIRE HRC RAIL TO CONSOLE	1 PC
	7TMC0203004	CONTROL BOARD	1 PC
P12	7TMC0736002	RESISTOR	1 PC
	7TMC0535006	WIRE BREAK	1 PC
P15	7TMB06B8001	BRACKET CONTROL BOARD	1 PC

P17	7TMJ1393002	RESISTOR COVER	1 PC
	7TME0102027	SCREW RESISTOR	4 PCS.
	7TME0204003	NYLON NUT RESISTOR	4 PCS.
	7TME0502082	WASHER RESISTOR	4 PCS.
	7TMB0601005	WATER BOTTLE CAGE	1 PC
Q06R	7TMB0609028	END CAP FRONT GROUNDING BAR RIGHT	1 PC
Q06L	7TMB0609026	END CAP FRONT GROUNDING BAR LEFT	1 PC
Q07	7TMB0609035	END CAP REAR GROUNDING BAR	2 PCS
Q08	7TME0104055	SCREW DISPLAY	4 PCS.
Q11	7TSZRB40SCV-L1	SIDE COVER LEFT	1 SET
Q12	7TSZRB40SCV-R1	SIDE COVER RIGHT	1 SET
R03	7TSZRB40PAX	FLYWHEEL SHAFT ASSY	1 SET
R06	7TMD0602018	SECONDARY POLY V BELT	1 PC
R17	7TME0104014	SCREW FLYWHEEL	6 PCS.
R20	7TME0502092	WASHER FLYWHEEL	6 PCS.
S01	7TMJ3247001	EYE BOLT BELT ADJUSTER	2 PCS.
S02	7TMJ1245003	HOOK COVER BELT ADJ.	2 PCS.
S03	7TME0204010	NYLON NUT BELT ADJ	2 PCS.
S04	7TME0201012	NUT BRAKE AXEL	2 PCS.
	7TSZRB40PAX-1	BOTTOM BRACKET WHEEL ASSY	1 SET
	7TSZRB40KIT	BEARING KIT-BOTTOM BRACKET WHEEL ASSY	1 SET
T04	7TSM0915027A	PEDAL SET 1/2" (02-XXXXXL)	1 SET
T05	7TMD0403002	PEDAL STRAP SET RT & LT	1 SET
T06	7TMD0602013	POLY V BELT PRIMARY	1 PC
	7TME1103002	SPRING BELT TENSIONER	1 SET
V02	7TMG0214008	SIDE COVER DECAL LEFT BLUE	1 SET
V03	7TMG0214014	SIDE COVER DECAL RIGHT BLUE	1 SET
	7TMG0102054	MODEL DECAL WHITE	2 PCS.
V08	7TMG0222006	SEAT RAIL DECAL	1 PC
	7TME0602016	ASSY. HARDWARE KIT	1 SET

# True Fitness

## Removal & Replacement

❖ **500R**

❖ **500U**

❖ **600U**

❖ **600R**

# TABLE OF CONTENTS

## Removal and Replacement

Remove Access Covers – All Bikes Page 59

### **500R**

Remove Small Poly V Pulley Page 61

Remove Belt & Tensioner Assembly Page 63

Remove Crank Hub Assembly Page 65

### **500U**

Remove Small Poly V Pulley Page 68

Remove Belt & Tensioner Assembly Page 69

Remove Crank Hub Assembly Page 72

### **600U**

Remove Right Belt Poly-V Pulley Page 75

Remove Right Side Tensioner Assembly Page 77

Remove Belt & Tensioner Assembly Page 78

Remove Left Side Belt from Assembly Page 81

Remove Left Side Poly-V Wheel Page 83

Remove Crank Hub Assembly Page 84

### **600R**

Remove Left Belt Poly-V Pulley Page 87

Remove Left Side Tensioner Assembly Page 89

Remove Belt & Tensioner Assembly Page 90

Remove Right Side Belt from Assembly Page 93

Remove Right Side Poly-V Wheel Page 95

Remove Crank Hub Assembly Page 96

## Removal & Replacement

### **Remove Access Covers ~ 500R, 500U, 600R & 600U**

**Tools Required:**  
Pedal Wrench  
Phillips Screwdriver



#### **Step 1.**

Use pedal wrench to **remove both pedals** from pedal cranks.

**Note:**  
Left pedal loosens clockwise. Right pedal loosens counter-clockwise.

**Step 1. Remove Pedals**

#### **Step 2.**

Remove front cover screws and nuts.



**Step 2. Remove Cover Screws**

## **Removal & Replacement**

### **Remove Access Covers ~ 500R, 500U, 600R & 600U (continued)**

**Note:**  
Electrical connections  
are on **500 series** bikes  
only.

#### **Step 3.**

Disconnect electrical power adapter.



**Step 1.** Remove Electrical Connection  
(500 series only).

#### **Step 4.**

Rotate crank handle forward to 2 o'clock  
Position to allow removal of cover.



**Step 2.** Remove Cover

**Tools Required:**  
4 mm-Hex Wrench  
Flat blade Screwdriver  
Hammer Handle

**Note:**  
Leave belt in place to  
help lock pulley

**Step 1.**

Use hammer handle to prevent  
Rotation of large wheel when  
Removing pulley.



**Step 1.** Prevent Rotation of Fly Wheel

**Step 2.**

Use 4 mm wrench to loosen  
set screw in pulley.



**Step 2.** Loosen Set Screw

**Remove Small Poly-V Pulley (continued)**

**Step 3.**

Use 17 mm box wrench to loosen Nut from belt tension screw.



**Step 3.** Loosen Nut

**Step 4.**

Loosen rear hub bracket screws.



**Step 4.** Loosen Hub Bracket Screws

**Step 5.**

Remove belt from belt tensioner Assembly and wheels.



**Step 5.** Remove Belt



**Remove Belt & Tensioner Assembly**

**Tools Required:**

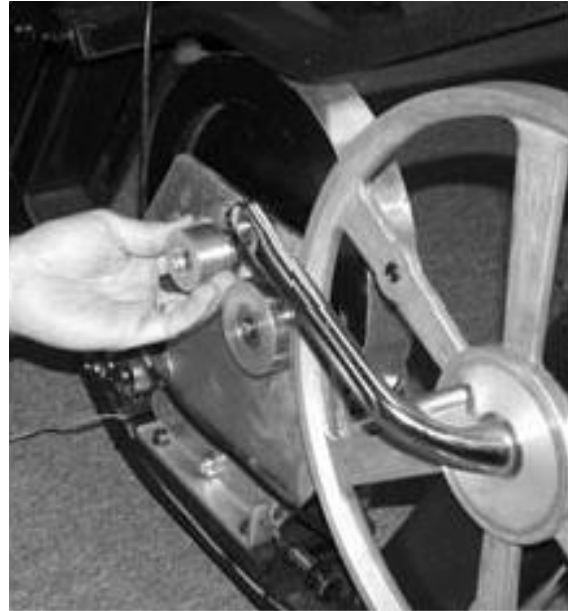
17 mm Box Wrench

5mm Hex Wrench

Snap Ring Pliers

**Step 1.**

Remove small poly-V pulley.



**Step 1.** Remove Small Poly-V Pulley

**Step 2.**

Remove keyway using flat blade  
Screwdriver as required.



**Step 2.** Remove Keyway

**Remove Belt & Tensioner Assembly (continued)**

**Step 3.**

Remove snap ring from belt Tensioner.



**Step 2. Remove Snap Ring**

**Step 4.**

Remove belt tensioner.



**Step 3. Remove Belt Tensioner**

**Remove Front Hub Assembly**

**Tools Required:**  
Large Crescent Wrench  
Hammer & Punch

**Step 1.**

Use crescent wrench to remove Large nut on crank.

**Note:**  
The crank nut has left-handed threads. Turn clockwise to loosen.



**Step 1. Remove Crank Nut**

**Step 2.**

Remove keyed washer from under nut.



**Step 2. Remove Keyed Washer**

**Step 3.**

Use crescent wrench to remove hex nut bearing.

**Note:**  
The hex nut bearing has left-handed threads. Turn clockwise to loosen.



**Step 3. Remove Hex Nut Bearing**

**Remove Front Hub Assembly (continued)**

**Step 4.**

Use crescent wrench to remove  
Large nut on crank.

**Note:**

Slide brake towards seat to  
allow pulley to clear frame.



**Step 4.** Pull Hex Nut Bearing Free

**Step 5.**

Use crescent wrench to remove  
hex nut bearing.



**Step 5.** Remove Large Pulley Assembly

**Remove Front Hub Assembly (continued)**

**Step 6.**

Twist assembly thru frame hub.  
Pull assembly until clear of frame.

**Note:**  
Right hand thread.



**Step 6.** Twist Unit Thru Hub Frame

**Step 7.**

Use hammer & punch to loosen  
spanner nut on bearing.



**Step 7.** Drive spanner nut off to remove bearing

**Step 8.**

Remove bearing and washer by  
Slipping off crank.

**Note:**  
Pulley and crank are a welded  
assembly (cannot be separated).



**Step 8.** Remove Bearing & Washer

## Removal & Replacement

### Remove Small Poly-V Pulley

500U

**Tools Required:**  
4 mm-Hex Wrench  
Flat blade Screwdriver  
Hammer Handle

**Note:**  
Leave belt in place to  
help lock pulley

#### Step 1.

Use hammer handle to prevent  
Rotation of large wheel when  
Removing pulley.



**Step 1.** Prevent Rotation of Fly Wheel

**Caution!**  
Take care not damage outer  
surface of flywheel on brake  
assembly.

#### Step 2.

Use 4 mm wrench to loosen  
set screw in pulley.



**Step 2.** Loosen Set Screw

**Remove Belt & Tensioner Assembly**

**Tools Required:**  
17 mm Box Wrench  
5 mm-Hex Wrench  
Snap Ring Pliers

**Step 1.**

Remove small poly-v pulley.



**Step 1.** Remove Small Poly-v Wheel

**Step 2.**

Remove keyway, using flat blade  
Screwdriver as required.



**Step 2.** Remove keyway

**Remove Belt & Tensioner Assembly (continued)**

**Step 3.**

Use 17 mm box wrench to loosen Nut from belt tensioning screw.



**Step 3.** Prevent Wheel Rotation

**Step 4.**

Use 5 mm hex wrench to loosen Rear hub bracket screws.



**Step 4.** Loosen setscrew



**Remove Belt & Tensioner Assembly (continued)**

**Step 5.**

Remove belt from belt tensioner Assembly and wheels.



**Step 5. Remove Belt**

**Step 6.**

Remove snap ring from belt tensioner.



**Step 6. Remove Snap Ring.**

**Step 7.**

Remove belt tensioner.



**Step 7. Remove belt tensioner**

## Removal & Replacement

### Remove Crank Hub Assembly

500U

#### Tools Required:

Large Crescent Wrench  
Rubber Mallet  
Flat Blade Screwdriver

#### Step 1.

Use crescent wrench to remove Large nut on crank.



Step 1. Remove Crank Nut.

#### Note:

The crank nut has left-handed threads. Turn clockwise to loosen.

#### Step 2.

Remove keyed washer from under nut.



Step 2. Remove Keyed Washer

#### Step 3.

Use crescent wrench to remove hex nut bearing. Use rubber mallet to knock out the shaft pulley assembly.

#### Note:

The Hex nut bearing has left-handed threads. Turn clockwise to loosen.



Step 3. Remove Hex Nut Bearing

**Remove Crank Hub Assembly (continued)**

**Note:**

A flat blade screwdriver may be used to pry hub from frame.

**Step 4.**

Pull hex nut bearing clear of frame Hub.



**Step 4.** Pull Hex Nut Bearing Free.

**Step 5.**

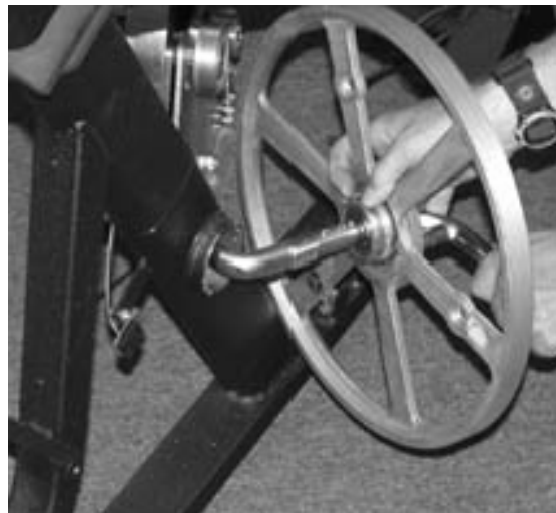
Pull large pulley until bearing clears Frame.



**Step 4.** Pull Hex Nut Bearing Free.

**Step 6.**

Twist assembly thru frame hub.  
Pull assembly until clear of frame.



**Step 5.** Twist Unit Thru Hub Frame.

**Remove Crank Hub Assembly (continued)**

**Step 7.**

Use hammer and punch to loosen spanner nut on bearing.

**Note:**

The spanner nut has right-handed threads. Turn counter-clockwise to loosen.



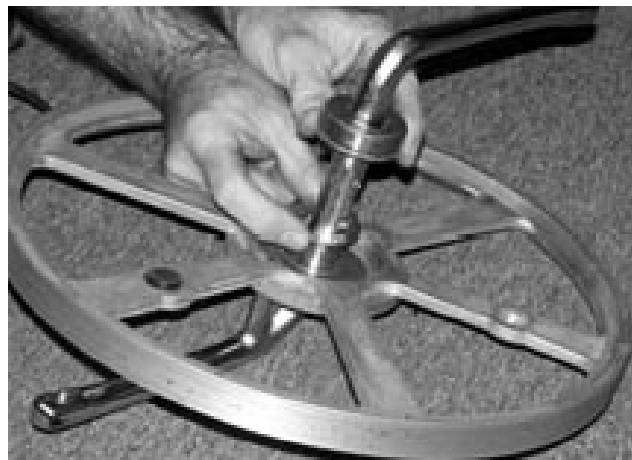
**Step 7.** Drive Spanner Nut Off to Remove Bearing

**Step 8.**

Remove bearing & washer by slipping off crank.

**Note:**

Pulley and crank are a welded assembly (cannot be separated).



**Step 8.** Remove Bearing & Washer

**Remove Right Belt Poly-V Wheel**

**Tools Required:**  
Pliers  
Snap Ring Pliers

**Step 1.**

Use pliers or needle nose pliers to remove the belt tensioning spring



**Step 1.** Belt Tensioning Spring

**Step 2.**

Remove the belt.



**Step 2.** Remove Belt

**Remove Right Belt Poly-V Wheel (continued).**

**Step 3.**

Use snap ring pliers to pry snap ring from center of small poly-V pulley.



**Step 3.** Prying with snap ring pliers

**Step 4.**

Remove the snap ring and washers.



**Step 4.** Remove the snap ring and washers

**Step 5.**

Remove the small poly-V pulley.



**Step 5.** Remove the small poly-V pulley

**Remove Right Side Tensioner Assembly**

**Tools Required:**  
Snap Ring Pliers

**Step 1.**

Remove snap ring.



**Step 1.** Remove Snap Ring

**Step 2.**

Slide tensioner assembly off pivot shaft.

**Note:**

Frame is slotted to allow  
brake bracket to slide when  
bolts are loose.



**Step 2.** Slide Tensioner Assembly

**Remove Belt & Tensioner Assembly**

**Tools Required:**

- 6 mm Hex Wrench
- 13 mm Open-End Wrench
- Hammer Handle

**Step 1.**

Use 6 mm hex wrench to remove brake bracket locking screw.



**Step 1.** Remove Locking Screw

**Step 2.**

Use 13 mm open-end wrench to loosen the 4 bolts holding the brake bracket to the frame.

**Note:**

Frame is slotted to allow brake bracket to slide when bolts are loose.



**Step 2.** Loosen Bracket Bolts



**Remove Belt & Tensioner Assembly (continued)**

**Step 3.**

Use hammer handle to pry the brake and bracket assembly toward the back of the bike to loosen the belt.



**Step 3.** Pry on Brake to Loosen Belt.

**Step 4.**

Remove brake belt from larger poly-V wheel.



**Step 4.** Remove Belt

**Remove Belt & Tensioner Assembly (continued)**

**Step 5.**

Disconnect wiring harness from brake.



**Step 5.** Disconnect Wiring Harness.

**Step 6.**

Remove the loosened bottom screws.



**Step 6.** Remove Loosened Screws

**Step 7.**

Remove brake and belt assembly.



**Step 7.** Remove Brake & Belt Assembly

**Remove Left Side Belt From Assembly**

**Tools Required:**

- Internal & External Snap Ring Pliers
- Flat Blade Screwdriver

**Step 1.**

Remove snap ring.



**Step 1.** Remove Snap Ring.

**Step 2.**

Carefully pry bearing out of housing.



**Step 2.** Pry Bearing Out of Housing

**Step 3.**

Remove inner snap ring.

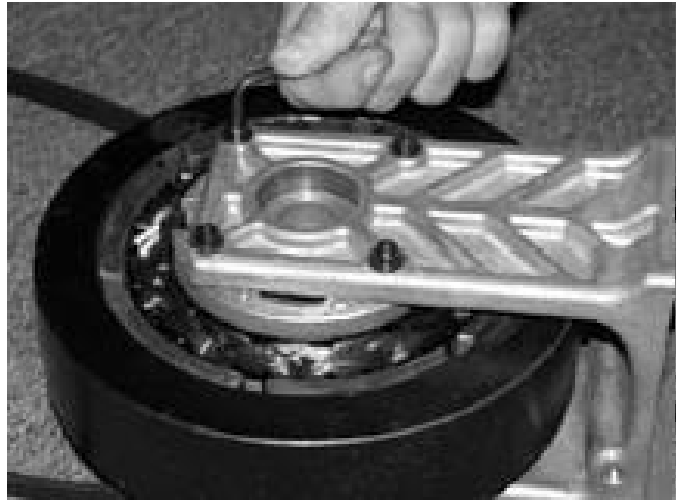


**Step 7.** Remove Inner Snap Ring

**Remove Left Side Belt From Assembly (continued)**

**Step 4.**

Use 4 mm Hex Wrench to remove  
Screws and washers holding  
Brake to bracket.



**Step 4.** Remove Screws & Washers.

**Step 5.**

Remove brake bracket until belt  
Can be removed.



**Step 5.** Remove Bracket to Check Belt

## Removal & Replacement

### Remove Left Side Poly-V Wheel

600U

**Tools Required:**  
External Snap Ring Pliers

#### **Step 1.**

Remove snap ring from shaft on Right side.



**Step 1.** Remove Snap Ring on Right Side

#### **Step 2.**

Slide shaft through bearing in Frame to remove pulley and shaft assembly.



**Step 2.** Slide Shaft Through Frame

**Note:**

Crank not welded to pulley so (1) extra step showing separating these for 600U set.

## Removal & Replacement

### Remove Crank Hub Assembly

600U

#### Tools Required:

Large Crescent Wrench  
Rubber Mallet  
Flat Blade Screwdriver

#### Step 1.

Use crescent wrench to remove Large nut on crank.



Step 1. Remove Crank Nut.

#### Note:

The crank nut has left-handed threads. Turn clockwise to loosen.

#### Step 2.

Remove keyed washer from under nut.



Step 2. Remove Keyed Washer

#### Step 3.

Use crescent wrench to remove hex nut bearing. Use rubber mallet to knock out the shaft pulley assembly.

#### Note:

The Hex nut bearing has left-handed threads. Turn clockwise to loosen.



Step 3. Remove Hex Nut Bearing

**Remove Crank Hub Assembly (continued)**

**Note:**

A flat blade screwdriver may be used to pry hub from frame.

**Step 4.**

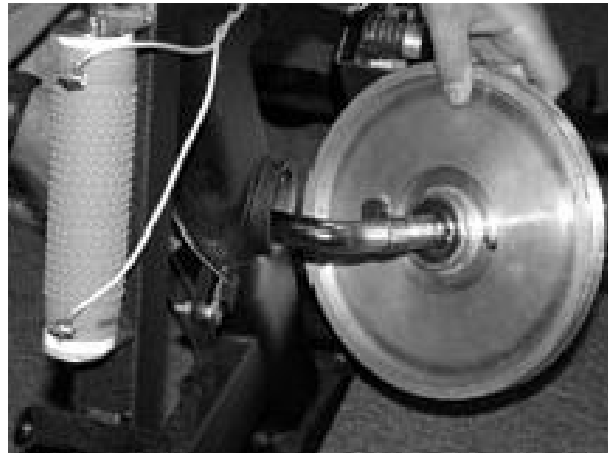
Pull hex nut bearing clear of frame Hub.



**Step 4.** Pull Hex Nut Bearing Free.

**Step 5.**

Pull large pulley until bearing clears Frame.



**Step 5.** Remove Large Pulley Assembly.

**Step 6.**

Twist assembly thru frame hub.  
Pull assembly until clear of frame.



**Step 6.** Twist Unit Thru Hub Frame.

**Remove Crank Hub Assembly (continued)**

**Step 7.**

Use hammer and punch to loosen spanner nut on bearing.

**Note:**

The spanner nut has right-handed threads. Turn counter-clockwise to loosen.



**Step 7.** Drive Spanner Nut Off to Remove Bearing

**Step 8.**

Remove bearing & washer by slipping off crank.

**Note:**

Pulley and crank are a welded assembly (cannot be separated).



**Step 8.** Remove Bearing & Washer

**Step 9.**

Pull crank thru pulley to remove.



**Step 9.** Pull Crank Thru Pulley to Remove



**Remove Left Belt Poly-V Pulley**

**Tools Required:**

Pliers

Snap Ring Pliers

**Step 1.**

Use pliers, or needle nose pliers, to remove the belt tensioning spring.



**Step 1.** Remove Belt Tensioning Spring

**Step 2.**

Remove the belt.



**Step 2.** Remove Belt

**Remove Poly-V Wheel Pulley (continued)**

**Step 3.**

Use snap ring pliers to snap Ring from center of small poly-V pulley.



**Step 1.** Prying with Snap Ring Pliers.

**Step 4.**

Remove the small poly-V pulley.



**Step 2.** Remove Small Poly-V Pulley

**Remove Left Side Tensioner Assembly**

**Tools Required:**  
Snap Ring Pliers

**Step 1.**

Remove snap ring.



**Step 1.** Remove Snap Ring

**Step 2.**

Slide tensioner assembly off pivot shaft.



**Step 2.** Slide Tensioner Assembly

**Note:**

Frame is slotted to allow  
brake bracket to slide when  
bolts are loose.

**Remove Belt & Tensioner Assembly**

**Tools Required:**

- 6 mm-Hex Wrench
- 13 mm Open-End Wrench
- Hammer Handle

**Step 1.**

Use 6 mm hex wrench to remove brake bracket locking screw.



**Step 1.** Remove Locking Screw

**Step 2.**

Use 13 mm open-end wrench to loosen the 4 bolts holding the brake bracket to the frame.



**Step 2.** Loosen Bracket Bolts

**Note:**

Frame is slotted to allow brake bracket to slide when bolts are loose.

**Remove Belt & Tensioner Assembly (continued)**

**Step 3.**

Use hammer handle to pry the brake and bracket assembly toward the back of the bike to loosen the belt.



**Step 3.** Pry on Brake to Loosen Belt.

**Step 4.**

Remove brake belt from larger poly-V wheel.



**Step 4.** Remove Belt

**Remove Belt & Tensioner Assembly (continued)**

**Step 5.**

Disconnect wiring harness from brake.



**Step 5.** Disconnect Wiring Harness.

**Step 6.**

Remove the loosened bottom screws.



**Step 6.** Remove Loosened Screws

**Step 7.**

Remove brake and belt assembly.



**Step 7.** Remove Brake & Belt Assembly

**Remove Right Side Belt From Assembly**

**Tools Required:**  
Internal & External Snap  
Ring Pliers  
Flat Blade Screwdriver

**Step 1.**

Remove snap ring.



**Step 1.** Remove Snap Ring.

**Step 2.**

Carefully pry bearing out of housing.



**Step 2.** Pry Bearing Out of Housing

**Step 3.**

Remove inner snap ring.

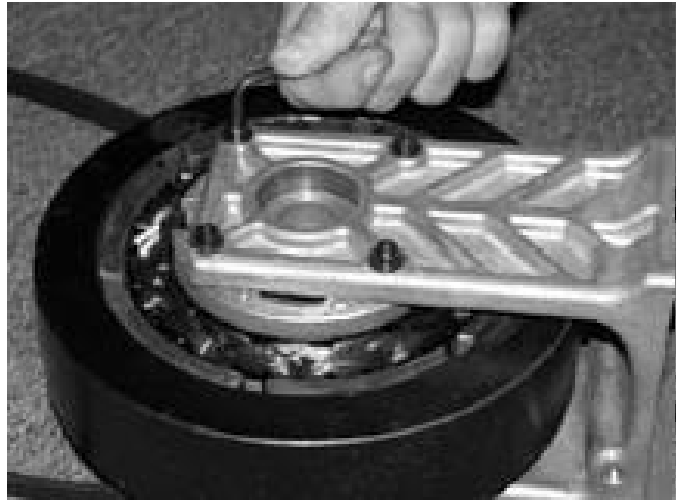


**Step 7.** Remove Inner Snap Ring

**Remove Right Side Belt From Assembly (continued)**

**Step 4.**

Use 4 mm Hex Wrench to remove Screws and washers holding Brake to bracket.



**Step 4.** Remove Screws & Washers.

**Step 5.**

Remove brake bracket until belt can be removed.



**Step 5.** Remove Bracket to Check Belt



## Removal & Replacement Remove Right Side Poly-V Wheel

**600R**

**Tools Required:**  
External Snap Ring Pliers

### **Step 1.**

Remove snap ring from shaft on Right side.



**Step 1.** Remove Shaft Snap Ring on Right Side

### **Step 2.**

Slide shaft through bearing in Frame to remove pulley and shaft assembly.



**Step 2.** Slide Shaft Through Frame

**Note:**

Crank not welded to pulley so (1) extra step showing separating these for 600U set.

## Removal & Replacement

### Remove Crank Hub Assembly

600R

#### Tools Required:

Large Crescent Wrench  
Rubber Mallet  
Flat Blade Screwdriver

### Step 1.

Use crescent wrench to remove Large nut on crank.



Step 1. Remove Crank Nut.

#### Note:

The crank nut has left-handed threads. Turn clockwise to loosen.

### Step 2.

Remove keyed washer from under nut.



Step 2. Remove Keyed Washer

### Step 3.

Use crescent wrench to remove hex nut bearing. Use rubber mallet to knock out the shaft pulley assembly.

#### Note:

The Hex nut bearing has left-handed threads. Turn clockwise to loosen.



Step 3. Remove Hex Nut Bearing

**Remove Crank Hub Assembly (continued)**

**Note:**

A flat blade screwdriver may be used to pry hub from frame.

**Step 4.**

Pull hex nut bearing clear of frame Hub.



**Step 4.** Pull Hex Nut Bearing Free.

**Step 5.**

Pull large pulley until bearing clears Frame.



**Step 5.** Remove Large Pulley Assembly.

**Step 6.**

Twist assembly thru frame hub.  
Pull assembly until clear of frame.



**Step 6.** Twist Unit Thru Hub Frame.

**Remove Crank Hub Assembly (continued)**

**Step 7.**

Use hammer and punch to loosen spanner nut on bearing.

**Note:**

The spanner nut has right-handed threads. Turn counter-clockwise to loosen.



**Step 7.** Drive Spanner Nut Off to Remove Bearing

**Step 8.**

Remove bearing & washer by slipping off crank.

**Note:**

Pulley and crank are a welded assembly (cannot be separated).



**Step 8.** Remove Bearing & Washer

**Step 9.**

Pull crank thru pulley to remove..



**Step 9.** Pull Crank Thru Pulley to Remove

## Free Manuals Download Website

<http://myh66.com>

<http://usermanuals.us>

<http://www.somanuals.com>

<http://www.4manuals.cc>

<http://www.manual-lib.com>

<http://www.404manual.com>

<http://www.luxmanual.com>

<http://aubethermostatmanual.com>

Golf course search by state

<http://golfingnear.com>

Email search by domain

<http://emailbydomain.com>

Auto manuals search

<http://auto.somanuals.com>

TV manuals search

<http://tv.somanuals.com>