



INSTALLATION MANUAL FOR MEAT WELL MODELS



TMW-36F-QT



TMW-36F

TABLE OF CONTENTS

- ▶ **Safety Information**
 - Safety Precautions** _____ 1
 - Proper Disposal** _____ 2
 - Connecting Electricity** _____ 3
 - Adapter Plugs** _____ 3

- ▶ **Installation / Operation Instructions**
 - Ownership** _____ 4
 - Required Tools** _____ 4
 - Uncrating & Locating** _____ 4
 - Installation of Castors** _____ 5
 - Leveling Cabinet** _____ 6
 - Electrical Instructions** _____ 6
 - Start-up** _____ 7

- ▶ **Maintenance, Care & Cleaning**
 - Cleaning Condenser Coil** _____ 8
 - Temperature Control Adjustment** _____ 9
 - Stainless Steel Equipment Care & Cleaning** — 10-11

CONGRATULATIONS!
 You have just purchased the finest commercial refrigeration available. You can expect many years of trouble-free operation.

TMW (TRUE MEAT WELL)

NOTICE TO CUSTOMER:



Loss Or Spoilage Of Products In Your Refrigerator/Freezer Is NOT Covered By Warranty. In Addition To Following Recommended Installation Procedures You Must Run The Refrigerator/Freezer 24 Hours Prior To Usage.

True Manufacturing Company, Inc.

SAFETY INFORMATION

How to Maintain Your *TRUE*® Unit to Receive the Most Efficient and Successful Operation

You have selected one of the finest commercial freezer units made. It is manufactured under strict quality controls with only the best quality materials available. Your TRUE freezer, when properly maintained, will give you many years of trouble-free service.

WARNING!

Use this appliance for its intended purpose as described in this Owner Manual.

SAFETY PRECAUTIONS

When using electrical appliances, basic safety precautions should be followed, including the following:

- This freezer must be properly installed and located in accordance with the Installation Instructions before it is used.
- Do not allow children to climb, stand or hang on the shelves in the freezer. They could damage the freezer and seriously injure themselves.
- Do not touch the cold surfaces in the refrigerated compartment when hands are damp or wet. Skin may stick to these extremely cold surfaces.
- Do not store or use flammable liquids or vapours in the vicinity of this or any other appliance.
- Keep fingers out of the “pinch point” areas; clearances between the doors and between the doors and cabinet are necessarily small; be careful closing doors when children are in the area.

NOTE: Any servicing, warranty repairs or maintenance should be carried out by qualified personnel, failure to do so could be dangerous and may invalidate your warranty.

- Unplug the freezer before cleaning and making repairs.
- Setting temperature controls to 0 position does not isolate the unit from the electrical supply, you must disconnect the main power lead from the wall receptacle to isolate.

SAFETY INFORMATION

DANGER!
RISK OF CHILD ENTRAPMENT

HOW TO SAFELY DISPOSE OF USED REFRIGERATION EQUIPMENT

Child entrapment and suffocation are not problems of the past. Junked or abandoned display cases are still dangerous... even if they will sit for “just a few days.”

It is much safer if doors and lids are removed so children cannot get trapped inside, leaving the shelves in place will also deter children from trying to climb inside.

If you are getting rid of your old refrigerator, please follow the instructions below to help prevent accidents. Depending on the country where the unit is located there will be officially approved ways of disposing of your used equipment.

It is important that care is taken in disposing of used refrigerators or freezers. Before You Throw Away Your Old Refrigerator or Freezer:

- ***Take off the doors.***
- ***Leave the shelves in place so that children may not easily climb inside.***

Refrigerant Disposal

Depending on the Country where the unit is located there will be Officially approved ways of disposing of your used equipment. Your old refrigerator may have a cooling system that uses “Ozone Depleting” chemicals. If you are throwing away your old refrigerator, make sure the refrigerant is removed for proper disposal by a qualified service technician. If you intentionally release any refrigerants you can be subject to fines and imprisonment under provisions of the environmental regulations.

SAFETY INFORMATION

WARNING!

IMPORTANT ELECTRICAL SAFETY INFORMATION

Do not, under any circumstances, cut or remove the third (ground) prong from the power cord.

For personal safety, this appliance must be properly grounded.

The power cord of this appliance is equipped with a 3-prong (grounding) plug which mates with a standard 3-prong (grounding) wall outlet to minimize the possibility of electric shock hazard from this appliance.

Have the wall outlet and circuit checked by a qualified electrician to make sure the outlet is properly grounded.

If the outlet is a standard 2-prong outlet, it is your personal responsibility and obligation to have it replaced with the properly grounded 3-prong wall outlet.

The unit should always be plugged into it's own individual electrical circuit, which has a voltage rating that matches the rating plate.

This provides the best performance and also prevents overloading building wiring circuits which could cause a fire hazard from overheated wires.

Never unplug your freezer by pulling on the power cord. Always grip plug firmly and pull straight out from the outlet.

Repair or replace immediately all power cords that have become frayed or otherwise damaged. Do not use a cord that shows cracks or abrasion damage along its length or at either end.

When removing the freezer away from the wall, be careful not to roll over or damage the power cord.

USE OF EXTENSION CORDS / ADAPTER PLUGS

NEVER USE AN EXTENSION CORD! NEVER USE AN ADAPTER PLUG! Do not use adapter plugs or extension leads as these can cause safety issues and early failure of electrical components. The use of adapters and extension cords will invalidate your warranty.

WARNING

Compressor warranties are void if compressor burns out due to low voltage.

WARNING

Power supply cord ground should not be removed!

NOTE

To reference wiring diagram - Remove lower rear grill. Wiring diagram is positioned on the inside cabinet wall.

INSTALLATION / OPERATION INSTRUCTIONS

INSTALLATION / OPERATION INSTRUCTIONS

OWNERSHIP

To insure that your unit works properly from the first day, it must be installed properly. We highly recommend that your True unit is installed by your supplying dealer or service company. The cost of a professional installation is money well spent. Issues caused by incorrect installation may invalidate your warranty.

Before you start to install your True unit, carefully inspect it for freight damage. If damage is discovered, immediately file a claim with the delivery freight carrier.

True is not responsible for damage incurred during shipment.

REQUIRED TOOLS

- Adjustable Spanner or Mole Grips
- Phillips Head Screwdriver
- Spirit Level

UNCRATING

Step 1

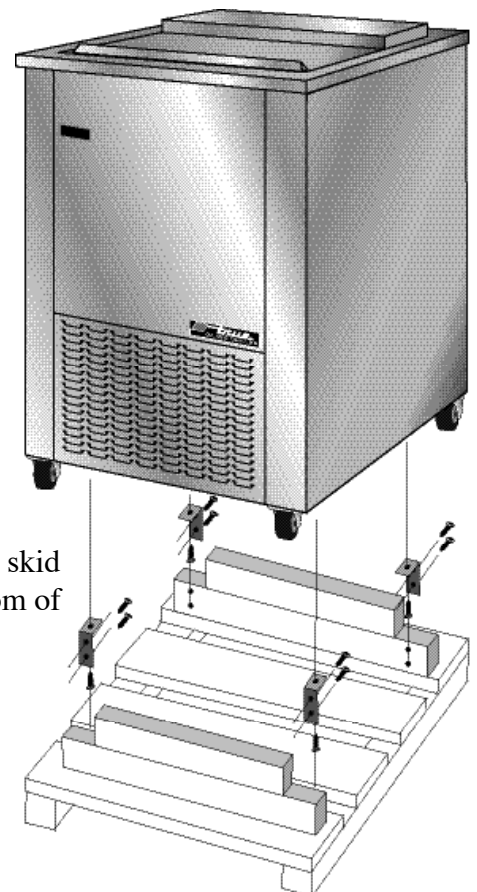
The following procedure is recommended for uncrating the unit:

- A.** Remove the outer packaging by pulling tri-wall nails from skid. Remove (4) cardboard corner pads and dust cover.
- B.** Inspect for concealed damage. Again, immediately file a claim with the freight carrier if there is damage.
- C.** Move your unit as close to the final location as possible before removing the wooden skid.

LOCATING

Step 2

- A.** Remove shipping skid by unscrewing bolts with an adjustable wrench.
- B.** Carefully lift freezer off the shipping skid.
- C.** Free plug and cord from inside the lower front of the unit (do not plug in power source).
- D.** Your True equipment should be placed close enough to the electrical supply so that extension cords are never used.



Removing skid from bottom of cabinet.

INSTALLATION / OPERATION INSTRUCTIONS

INSTALLATION OF CASTORS

IMPORTANT SAFEGUARD FOR INSTALLATION OF LEG/CASTOR (IMAGES 1-3 DEMONSTRATE PROCEDURE)

Step 3

Securing Castors

To obtain maximum strength and stability of the unit, it is important that you make sure each castor is secure. The bearing race on the castor of the top edge of the leg must make firm contact with the rail.

Unit leveling

Four leveling shims have been provided for leveling castored units positioned on uneven floors. Shims must be positioned between rail end and bearing race. True recommends a four shim limit to any single castor.

A. Turn the bearing race counter-clockwise until the cabinet is level. Level front to back and side to side (diagonally).

B. Install the desired number of shims, making sure the

slot of the shim is in contact with the threaded stem of the castor.

C. If more than one shim is used, turn the slot at a 90° angle so they are not in line.

D. Turn the bearing race clockwise to tighten and secure the castor by tightening the anchoring bolt with a 3/4 inch open-end wrench or the tool provided.

CAUTION

To avoid damage to lower rail assembly, slowly raise unit to upright position.



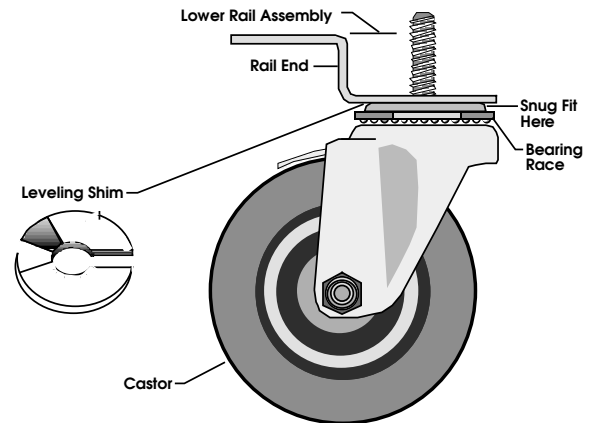
1 Thread castor into the underside of cabinet frame rail.



2 For leveling, insert the shim between the castor and frame rail.



3 Use the tool provided to tighten the castor into place.



INSTALLATION / OPERATION INSTRUCTIONS

LEVELING

Step 4

Securing Castors

A. Set unit in its final location. Be sure there is adequate ventilation in your room. Under extreme heat conditions, (100°F+, 38°C+), you may want to install an exhaust fan.

Warning

Warranty is void if ventilation is insufficient.

B. Proper leveling of your True cooler is critical to operating success (for non-mobile models). Effective condensate removal and door operation will be effected by leveling.

C. The cooler should be leveled inside the cabinet front to back and side to side with a level.

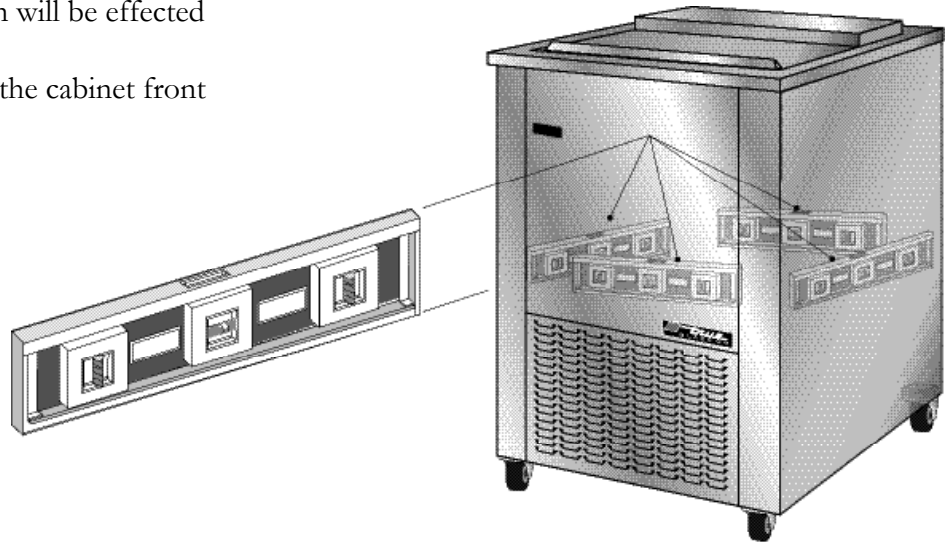
D. Ensure that the drain hose or hoses are positioned in the pan.

E. Free plug and cord from inside the lower rear of the cooler (do not plug in).

F. The unit should be placed close enough to the electrical supply so that extension cords are never used.

Warning

Compressor warranties are void if the unit is more than 8ft. (2.4m) from plug-in connection. TRUE will not warranty any units that are connected to an extension cord.



ELECTRICAL INSTRUCTIONS

Step 5

A. Before your new unit is connected to a power supply, check the incoming voltage with a voltmeter. If anything less than 100% of the rated voltage for operation is noted, correct immediately.

B. All units are equipped with a 8 ft. (2.4m) service cord, and must be powered at proper operating voltage at all times. Refer to cabinet data plate for this voltage.

True requires that a sole circuit be dedicated for the unit. Failure to do so voids warranty.

WARNING

Compressor warranties are void if compressor burns out due to low voltage.

WARNING

Power supply cord ground should not be removed!

NOTE

To reference wiring diagram - Remove lower rear grill. Wiring diagram is positioned on the inside cabinet wall.

INSTALLATION / OPERATION INSTRUCTIONS

STARTUP

Step 6

- A.** The compressor is ready to operate. Plug in the unit.
- B.** Temperature control set at No. 4 position gives refrigerators an approximate temperature of 35°F and freezers an approximate temperature of -10°F. Allow unit to function several hours, completely cooling cabinet before changing the control setting.
- C.** Excessive tampering with the control could lead to service difficulties. Should it ever become necessary to replace temperature control, be sure it is ordered from your True dealer or recommended service agent.

NOTE

If the unit is disconnected or shut off, wait five minutes before starting again.

RECOMMENDATION

Before loading product we recommend you run your True unit empty for two to three days. This allows you to be sure electrical wiring and installation are correct and no shipping damage has occurred. Remember, our factory warranty does not cover product loss!

REPLACEMENT PARTS

TRUE maintains a record of the cabinet serial number for your unit. If at any time during the life of your display case, a part is needed, you may obtain this part by furnishing the model number and serial number to the company from whom you purchased the cabinet. Call Toll-Free: (800)-424-TRUE (Direct to Parts Department). (800)-325-6152 (U.S.A. & Canada only) or call: (636)-240-2400.

Serial Number

TRUE®
Manufacturing Co.
O'FALLON, MO 63366

CABINET SERIAL NUMBER: **1-9123456**

REFRIG UNIT: AJA7494ZXD
CHARGE REFRIGERANT: R404A
45 OZ.

HP	VOLTAGE	HZ	PH	F.L. AMPS
1	115/208/230	60	1	11.5

MODEL: TMW
DESIGN PRESSURES-PSIG
HIGH SIDE 488 LOW SIDE 174

U.S. PATENT NUMBERS:
5,553,354/5,433,082/5,182,923
5,182,924/5,076,443/4,955,488
4,890,746/4,875,745/4,127,988
D273,268/D271,107/5,584,547
2,045,722/5,669,676

DO NOT CLEAN LABEL WITH SOLVENT
DRL

ENERGY SAVING

LISTED COMMERCIAL REFRIGERATOR 354C

EAD

UL

MAINTENANCE, CARE & CLEANING

CLEANING THE CONDENSER COIL

When using electrical appliances, basic safety precautions should be followed, including the following

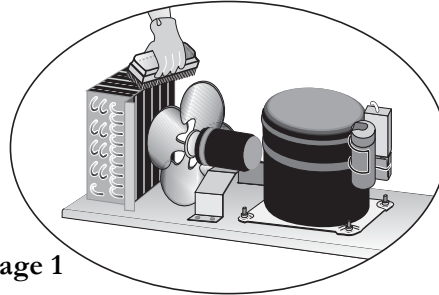
TOOLS REQUIRED:

- Phillips screwdriver
- Stiff bristle brush
- Adjustable Spanner or Mole Grips
- Vacuum Cleaner

Step 1

Disconnect power to unit.

Image 1



Step 2

Remove the front grill by backing out four Phillips head screws. (See image 3).

Step 3

Remove bolts anchoring compressor assembly to frame rails and carefully slide out. (tube connections are flexible)

Step 4

Clean off accumulated dirt from the condenser coil and the fan with a stiff bristle brush. (See image 1).

Step 5

Lift cardboard cover above fan at plastic plugs and carefully clean condenser coil and fan blades.

Step 6

After brushing condenser coil vacuum dirt from coil, and interior floor. (See image 2)

Step 7

Replace cardboard cover. Carefully slide compressor assembly back into position and replace bolts.

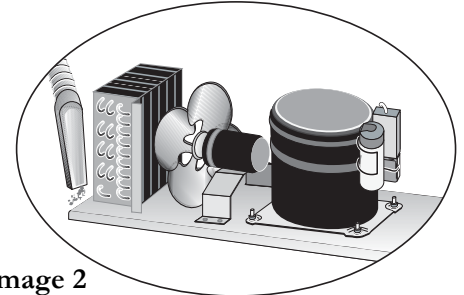
Step 8

Reinstall rear grill assembly onto unit. Tighten all screws.

Step 9

Connect unit to power and check to see if condensing unit is running.

Image 2



Condenser Coil

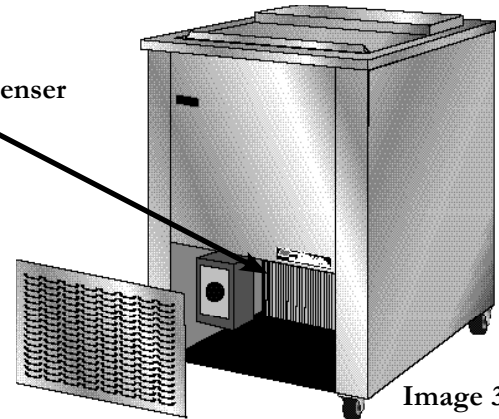


Image 3

THE CLEANING OF THE CONDENSER IS NOT COVERED BY THE WARRANTY!

Condensers accumulate dirt and require cleaning every 30 days. Dirty condensers result in compressor failure, product loss, and lost sales... which are not covered by warranty.

If you keep the Condenser clean you will minimize your service expense and lower your electrical costs. The Condenser requires scheduled cleaning every thirty days or as needed.

Air is pulled through the Condenser continuously, along with dust, lint, grease, etc.

A dirty Condenser can result in NON-WARRANTEED part & Compressor Failures, Product Loss, and Lost Sales.

Proper cleaning involves removing dust from the Condenser. By using a soft brush, or vacuuming the Condenser with a shop vac, or using CO₂, nitrogen, or pressurized air.

If you cannot remove the dirt adequately, please call your refrigeration service company.

If you have any questions, please call True Manufacturing at 636-240-2400 or 800-325-6152 and ask for the Service Department. Service Department Availability Monday-Friday 7:30 a.m. to 5:30 p.m. and Saturday 7:45 a.m. to 11:45 a.m. CST.

MAINTENANCE, CARE & CLEANING

TEMPERATURE CONTROL ADJUSTMENT FOR HIGH ALTITUDE ONLY!

TERMS:

- **Cut-out** - Temperature sensed by the controller that shuts the compressor off.
- **Cut-in** - Temperature sensed by the controller that turns the compressor on.

TOOLS REQUIRED:

- Phillips head screwdriver
- 5/64" or 2 mm Allen Key
- T-7 Torx Key

- Unplug or disconnect power to the cabinet.
- Remove the screws that secure the temperature control to the inset box, lower right, rear of cabinet.
- Pull out gently from cabinet.

NOTE

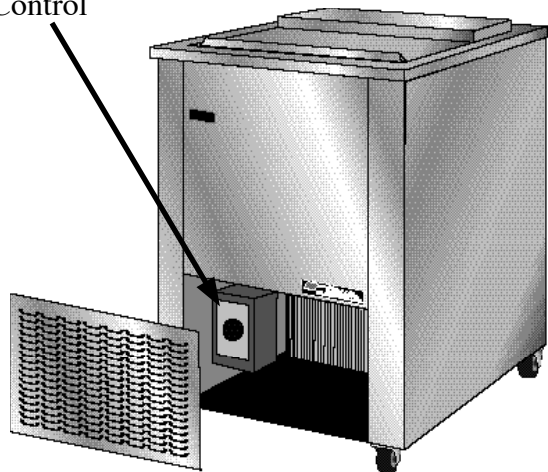
Mechanical temperature controllers are affected when functioning at high altitude. The Cut-in and cut-out temperatures will be colder than when the controller functions closer to sea level.

- For high elevation installations, it may be necessary to "warm-up" the set points. To make the adjustment, insert the appropriate tool in each adjustment screw and turn 1/4 of a revolution clockwise (to the right). This procedure will adjust both the cut-in and cut-out about 2°C warmer.
- Make sure to reconnect the pink wire to proper spade terminal when reinstalling.

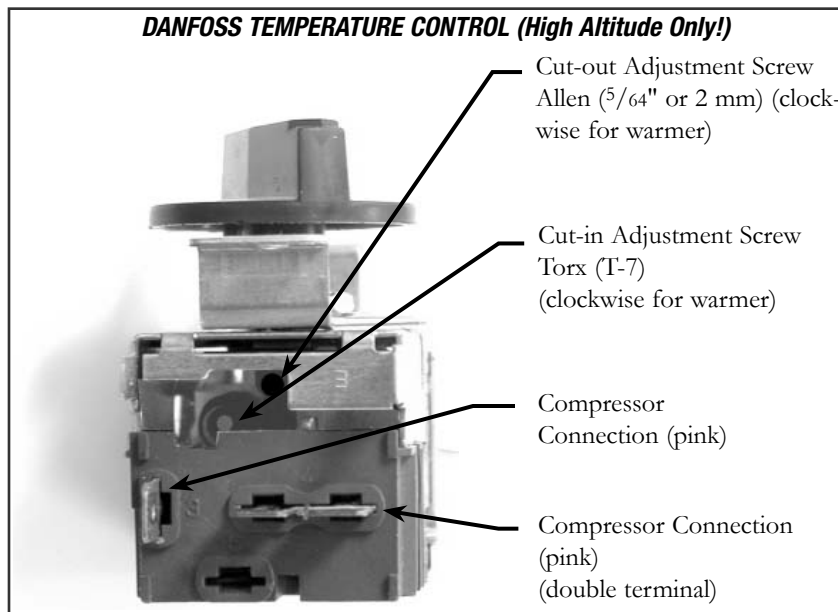
**MANUAL DEFROST
(Freezer units only!)**

The unit will need to be manually defrost. Unplug unit until all frost is gone. The manual defrost frequency will depend on the units usage, environment, and the amount of frost.

Temperature Control



DANFOSS TEMPERATURE CONTROL (High Altitude Only!)



MAINTENANCE, CARE & CLEANING

STAINLESS STEEL EQUIPMENT CARE AND CLEANING

CAUTION: Do not use any steel wool, abrasive or chlorine based products to clean stainless steel surfaces. Please ensure that you use appropriate products when cleaning and polishing your True unit. Cleaners containing chlorine must not be used as these will attack the stainless steel causing damage and in some cases corrosion. Your supplier of cleaning products should be able to advise you of the products suitable to keep your True unit looking like new.

- Stainless Steel Opponents

There are three basic things which can break down your stainless steel's passivity layer and allow corrosion to rear its ugly head.

- 1) Scratches from wire brushes, scrapers, and steel pads are just a few examples of items that can be abrasive to stainless steel's surface.
- 2) Deposits left on your stainless steel can leave spots. You may have hard or soft water depending on what part of the country you live in. Hard water can leave spots. Hard water that is heated can leave deposits if left to sit too long. These deposits can cause the passive layer to break down and rust your stainless steel. All deposits left from food prep or service should be removed as soon as possible.
- 3) Chlorides are present in table salt, food, and water. Household and industrial cleaners are the worst type of chlorides to use.

8 steps that can help prevent rust on stainless steel:

1. Using the correct cleaning tools
Use non-abrasive tools when cleaning your stainless steel products. The stainless steel's passive layer will not be harmed by soft cloths and plastic scouring pads. Step 2 tells you how to find the polishing marks.
2. Cleaning along the polish lines
Polishing lines or "grain" are visible on some stainless steels. Always scrub parallel to visible lines on some stainless steels. Use a plastic scouring pad or soft cloth when you cannot see the grain.
3. Use alkaline, alkaline chlorinated or non-chloride containing cleaners
While many traditional cleaners are loaded with chlorides, the industry is providing an ever increasing choice of non-chloride cleaners. If you are not sure of your cleaner's chloride content contact your cleaner supplier. If they tell you that your present cleaner contains chlorides, ask if they have an alternative. Avoid cleaners containing quaternary salts as they can attack stainless steel, causing pitting and rusting.
4. Water Treatment
To reduce deposits, soften the hard water when possible. Installation of certain filters can remove corrosive and distasteful elements. Salts in a properly maintained water softener can be to your advantage. Contact a treatment specialist if you are not sure of the proper water treatment.
5. Maintaining the cleanliness of your food equipment
Use cleaners at recommended strength (alkaline, alkaline chlorinated or non-chloride). Avoid build-up of hard stains by cleaning frequently. When boiling water with your stainless steel equipment, the single most likely cause of damage is chlorides in the water. Heating any cleaners containing chlorides will have the same damaging effects.
6. Rinse
When using chlorinated cleaners you must rinse and wipe dry immediately. It is better to wipe standing cleaning agents and water as soon as possible. Allow the stainless steel equipment to air dry. Oxygen helps maintain the passivity film on stainless steel.
7. Hydrochloric acid (muriatic acid) should never be used on stainless steel
8. Regularly restore/passivate stainless steel

STAINLESS STEEL EQUIPMENT CARE AND CLEANING

- The top sliding door, door hood, and trim piece around the top of the cabinet simply come off with no tools required. This is for easier cleaning. Please see figure 1.

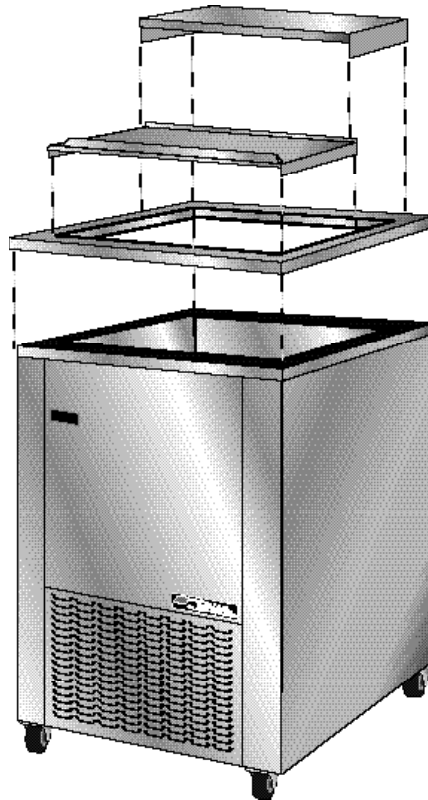


Figure 1

NOTE:

The use of stainless steel cleaners or other such solvents is not recommended on plastic parts. Warm soap and water will suffice.

Free Manuals Download Website

<http://myh66.com>

<http://usermanuals.us>

<http://www.somanuals.com>

<http://www.4manuals.cc>

<http://www.manual-lib.com>

<http://www.404manual.com>

<http://www.luxmanual.com>

<http://aubethermostatmanual.com>

Golf course search by state

<http://golfingnear.com>

Email search by domain

<http://emailbydomain.com>

Auto manuals search

<http://auto.somanuals.com>

TV manuals search

<http://tv.somanuals.com>